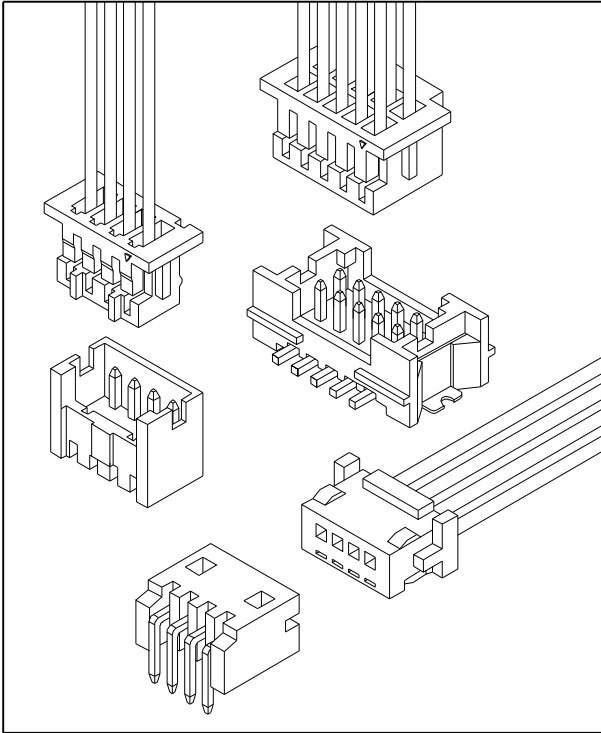


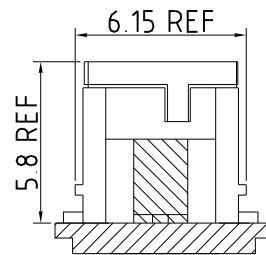
1.25mm Pitch Wire To Board Connector



Specification

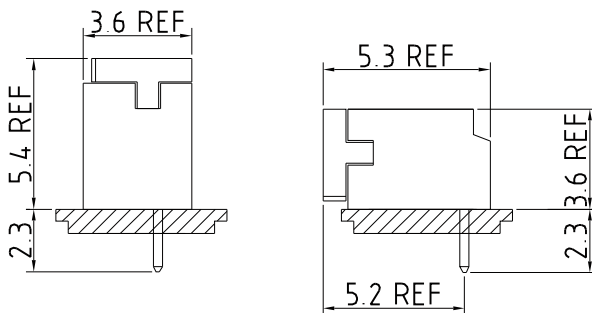
Circuits	02-15 , 2x05-2x20
Pitch	1.25mm
Current Rating	1A AC/DC
Voltage Rating	100V AC/DC
Contact Resistance	20mΩ MAX.
Withstand Voltage	500V AC/minute
Insulation Resistance	500MΩ MIN.
Temperature Range	-25°C - +85°C
Applicable Wire Range	AWG #26 - #32
Applicable P.C.B Thickness	0.8mm - 1.2mm
Applicable P.C.B Hole Dia.	∅0.6mm ± 0.05

Vertical Dual Row SMT Type

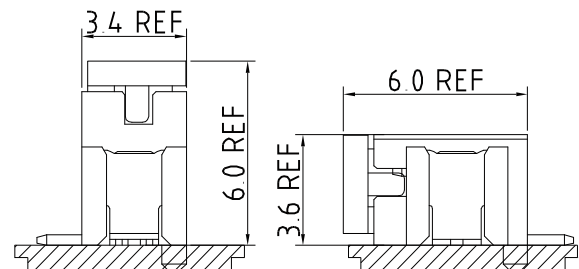


Assembly Layout

Vertical DIP Type Right Angle DIP Type



Vertical SMT Type Right Angle SMT Type



IPCW130 * ** * * * * *
 ① ② ③ ④ ⑤ ⑥ ⑦ ⑧

- ① Series Type. IPCW130
- ② Connector Type.
T: Terminal
W: Wafer
H: Housing
- ③ Pin code.
Terminal: Serial number
Wafer or Housing: x row x pin number of row
- ④ Material code.
- ⑤ Appearance code.
- ⑥ Internal code
- ⑦ Company code.

- ⑧ Other code.
Housing
K: Dual Row K Type
Wafer
D: Vertical 01
U: Vertical 02
R: Right Angle 01
T: Right Angle 02
V: Vertical SMT Type
K: Vertical SK- Type

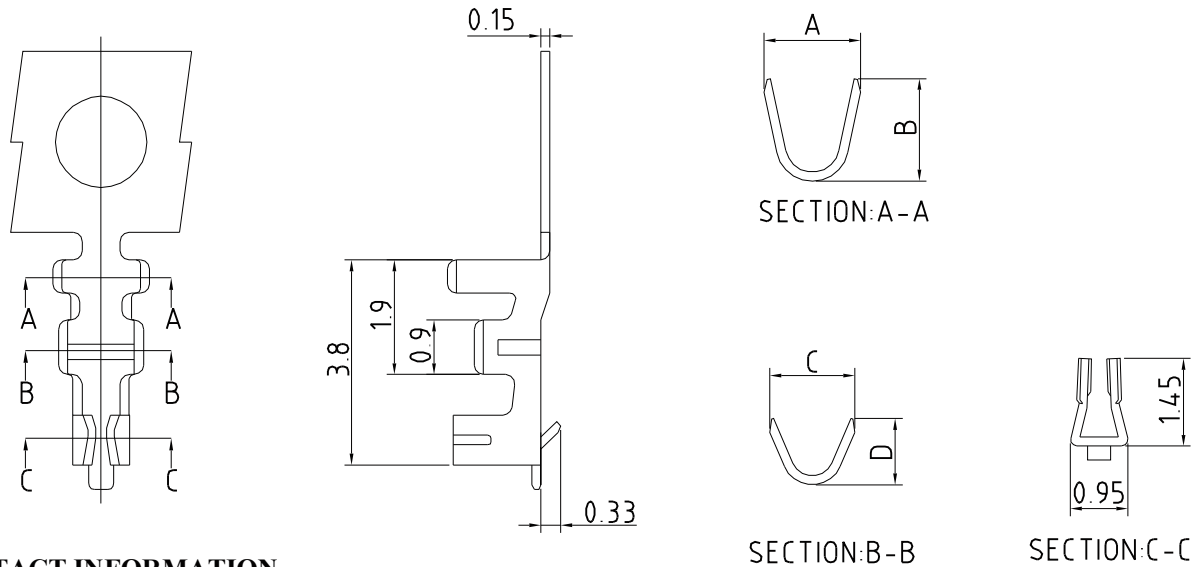
1.25mm Pitch Wire To Board Connector

Unit : mm

Terminal

Features

Use with: IPCW130 Series Housing



CONTACT INFORMATION

Part No.	Wire Range	Insulation O.D.	DIM.(mm)				Material	Finish	Q'ty/Reel
			A	B	C	D			
IPCW130T01*	AWG #26-#28	0.90mm(MAX.)	1.6	1.7	1.4	1.1	Phosphor bronze	See note	15,000pcs
IPCW130T02*	AWG #30-#32	0.70mm(MAX.)	1.4	1.3	1.1	1.0			

Housing Single Row

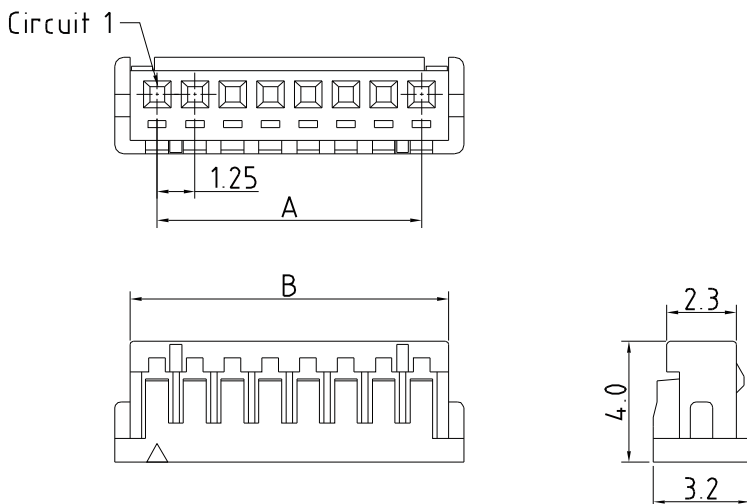
Features

Available Number of Circuits: 02 - 15

Material: Regular Thermoplastic 94V-0

Use with: IPCW130 Crimp Terminal

Mates with : IPCW130 Series Single Row Wafer



Dimension and Order Information

Circuits	Part No.	DIM.(mm)	
		A	B
2	IPCW130H12*	1.25	3.05
3	IPCW130H13*	2.50	4.30
4	IPCW130H14*	3.75	5.55
5	IPCW130H15*	5.00	6.80
6	IPCW130H16*	6.25	8.05
7	IPCW130H17*	7.50	9.30
8	IPCW130H18*	8.75	10.55
9	IPCW130H19*	10.00	11.80
10	IPCW130H1A*	11.25	13.05
11	IPCW130H1B*	12.50	14.30
12	IPCW130H1C*	13.75	15.55
13	IPCW130H1D*	15.00	16.80
14	IPCW130H1E*	16.25	18.05
15	IPCW130H1F*	17.50	19.30

1.25mm Pitch Wire To Board Connector

Unit : mm

Housing Dual Row

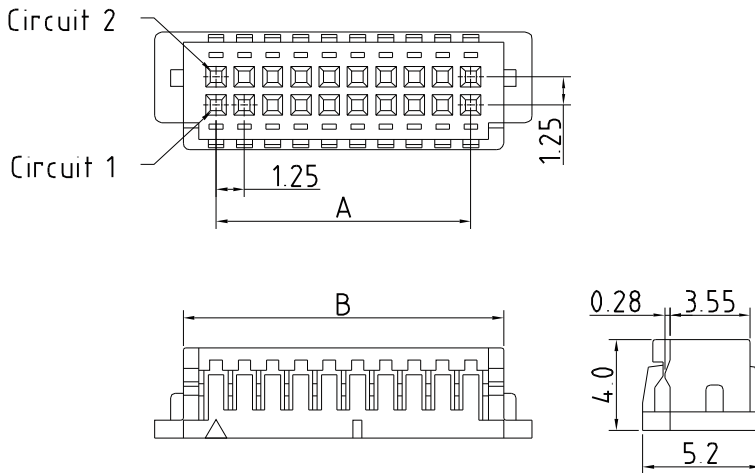
Features

Available Number of Circuits: 2x05 - 2x20

Material: Regular Thermoplastic 94V-0

Use with: IPCW130 Crimp Terminal

Mates with : IPCW130 Series Dual Row Wafer



Dimension and Order Information

Circuits	Part No.	DIM.(mm)	
		A	B
10	IPCW130H25*	5.00	7.90
20	IPCW130H2A*	11.25	14.15
30	IPCW130H2F*	17.50	20.40
40	IPCW130H2K*	23.75	26.65

Housing Dual Row K Type

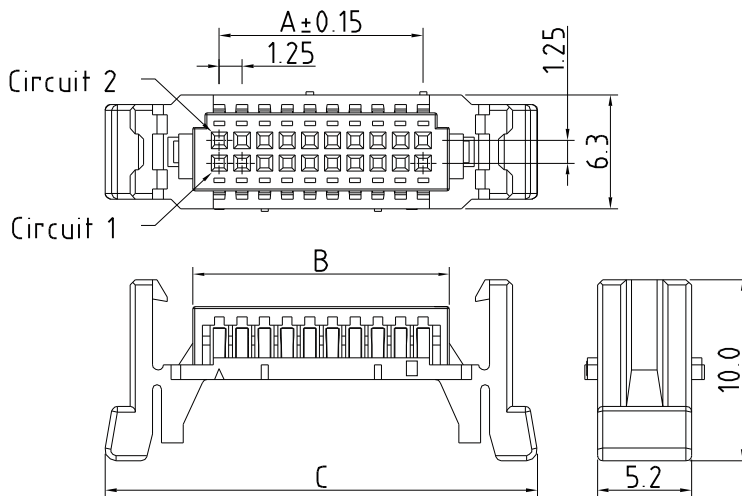
Features

Available Number of Circuits: 2x05 - 2x20

Material: Regular Thermoplastic 94V-0

Use with: IPCW130 Crimp Terminal

Mates with : IPCW130 Series Dual Row K Type Wafer



Dimension and Order Information

Circuits	Part No.	DIM.(mm)		
		A	B	C
10	IPCW130H25*K	5.00	7.90	17.60
20	IPCW130H2A*K	11.25	14.15	13.85
30	IPCW130H2F*K	17.50	20.40	30.10
40	IPCW130H2K*K	23.75	26.65	36.35

1.25mm Pitch Wire To Board Connector

Unit : mm

Wafer Vertical 01

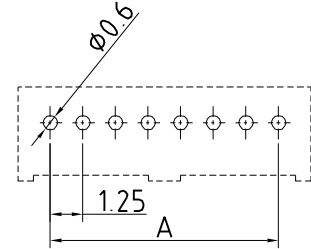
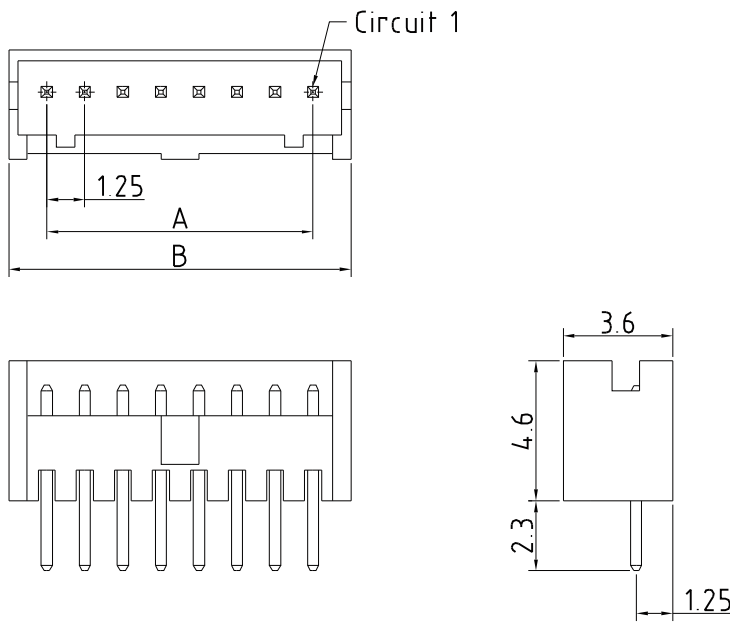
Features

Available Number of Circuits : 02 - 30

Material : Regular Thermoplastic 94V-0

Contact: 0.35mm(.014") Copper Alloy, Tin-plated

Mates with : IPCW130 Series Single Row Housing



P.C.B LAYOUT

Dimension and Order Information

Circuits	Part No.	DIM.(mm)	
		A	B
2	IPCW130W12*D	1.25	3.75
3	IPCW130W13*D	2.50	5.00
4	IPCW130W14*D	3.75	6.25
5	IPCW130W15*D	5.00	7.50
6	IPCW130W16*D	6.25	8.75
7	IPCW130W17*D	7.50	10.00
8	IPCW130W18*D	8.75	11.25
9	IPCW130W19*D	10.00	12.50
10	IPCW130W1A*D	11.25	13.75
11	IPCW130W1B*D	12.50	15.00
12	IPCW130W1C*D	13.75	16.25
13	IPCW130W1D*D	15.00	17.50
14	IPCW130W1E*D	16.25	18.75
15	IPCW130W1F*D	17.50	20.00
20	IPCW130W1K*D	23.75	26.25
25	IPCW130W1P*D	30.00	32.50
30	IPCW130W1U*D	36.25	38.75

Wafer Right Angle 01

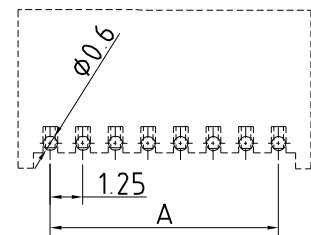
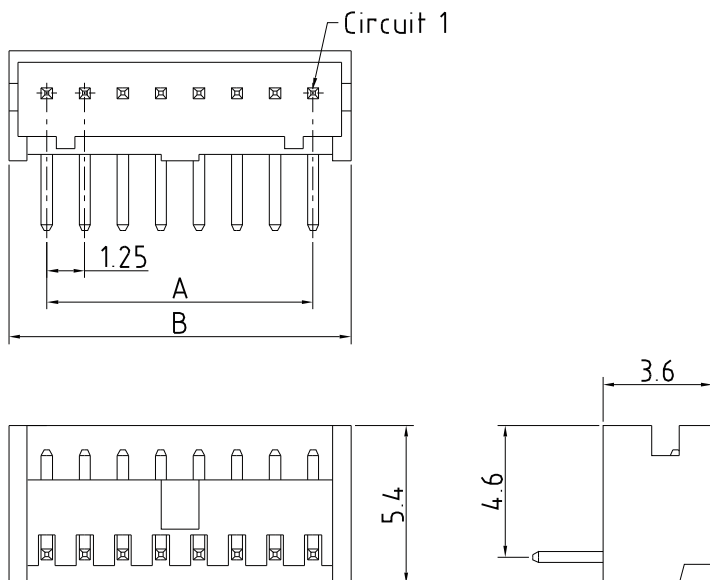
Features

Available Number of Circuits : 02 - 15

Material : Regular Thermoplastic 94V-0

Contact: 0.35mm(.014") Copper Alloy, Tin-plated

Mates with : IPCW130 Series Single Row Housing



P.C.B LAYOUT

Dimension and Order Information

Circuits	Part No.	DIM.(mm)	
		A	B
2	IPCW130W12*R	1.25	4.15
3	IPCW130W13*R	2.50	5.40
4	IPCW130W14*R	3.75	6.65
5	IPCW130W15*R	5.00	7.95
6	IPCW130W16*R	6.25	9.15
7	IPCW130W17*R	7.50	10.40
8	IPCW130W18*R	8.75	11.65
9	IPCW130W19*R	10.00	12.90
10	IPCW130W1A*R	11.25	14.15
11	IPCW130W1B*R	12.50	15.40
12	IPCW130W1C*R	13.75	16.65
13	IPCW130W1D*R	15.00	17.90
14	IPCW130W1E*R	16.25	19.15
15	IPCW130W1F*R	17.50	20.40

1.25mm Pitch Wire To Board Connector

Unit : mm

Wafer

Vertical 02

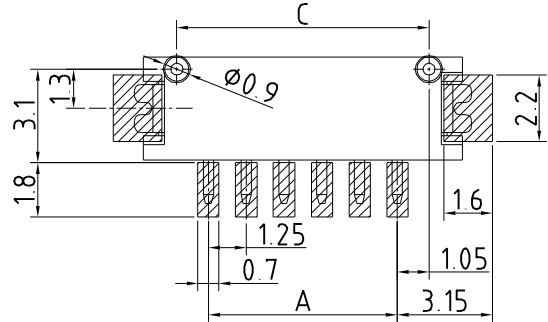
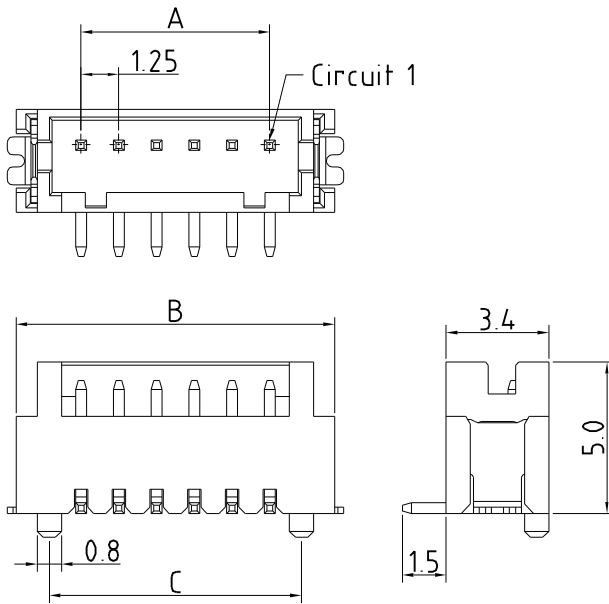
Features

Available Number of Circuits : 02 - 15

Material : High Temperature Thermoplastic 94V-0

Contact: 0.35mm(.014") Copper Alloy, Tin-plated

Mates with : IPCW130 Series Single Row Housing



P.C.B LAYOUT

Dimension and Order Information

Circuits	Part No.	DIM.(mm)		
		A	B	C
2	IPCW130W12*U	1.25	5.55	3.35
3	IPCW130W13*U	2.50	6.80	4.60
4	IPCW130W14*U	3.75	8.05	5.85
5	IPCW130W15*U	5.00	9.30	7.10
6	IPCW130W16*U	6.25	10.55	8.35
7	IPCW130W17*U	7.50	11.80	9.60
8	IPCW130W18*U	8.75	13.05	10.85
9	IPCW130W19*U	10.00	14.30	12.10
10	IPCW130W1A*U	11.25	15.55	13.35
11	IPCW130W1B*U	12.50	16.80	14.60
12	IPCW130W1C*U	13.75	18.05	15.85
13	IPCW130W1D*U	15.00	19.30	17.10
14	IPCW130W1E*U	16.25	20.55	18.35
15	IPCW130W1F*U	17.50	21.80	19.60

Wafer

Right Angle 02

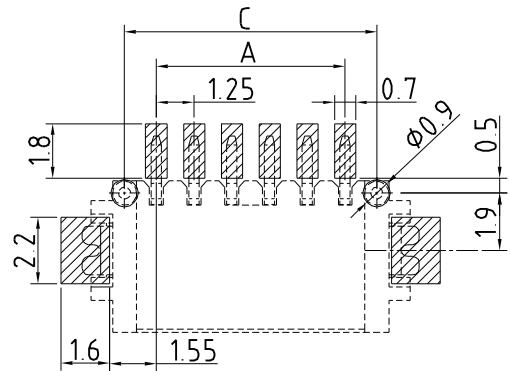
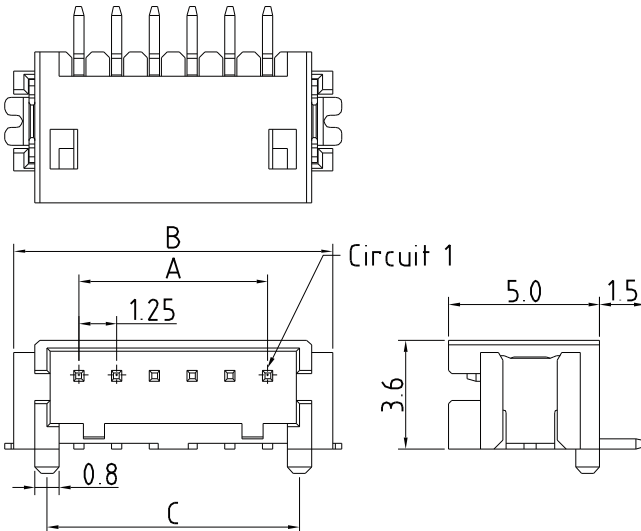
Features

Available Number of Circuits : 02 - 15

Material : High Temperature Thermoplastic 94V-0

Contact: 0.35mm(.014") Copper Alloy, Tin-plated

Mates with : IPCW130 Series Single Row Housing



P.C.B LAYOUT

Dimension and Order Information

Circuits	Part No.	DIM.(mm)		
		A	B	C
2	IPCW130W12*T	1.25	5.55	3.35
3	IPCW130W13*T	2.50	6.80	4.60
4	IPCW130W14*T	3.75	8.05	5.85
5	IPCW130W15*T	5.00	9.30	7.10
6	IPCW130W16*T	6.25	10.55	8.35
7	IPCW130W17*T	7.50	11.80	9.60
8	IPCW130W18*T	8.75	13.05	10.85
9	IPCW130W19*T	10.00	14.30	12.10
10	IPCW130W1A*T	11.25	15.55	13.35
11	IPCW130W1B*T	12.50	16.80	14.60
12	IPCW130W1C*T	13.75	18.05	15.85
13	IPCW130W1D*T	15.00	19.30	17.10
14	IPCW130W1E*T	16.25	20.55	18.35
15	IPCW130W1F*T	17.50	21.80	19.60

1.25mm Pitch Wire To Board Connector

Unit : mm

Wafer Vertical SMT Type

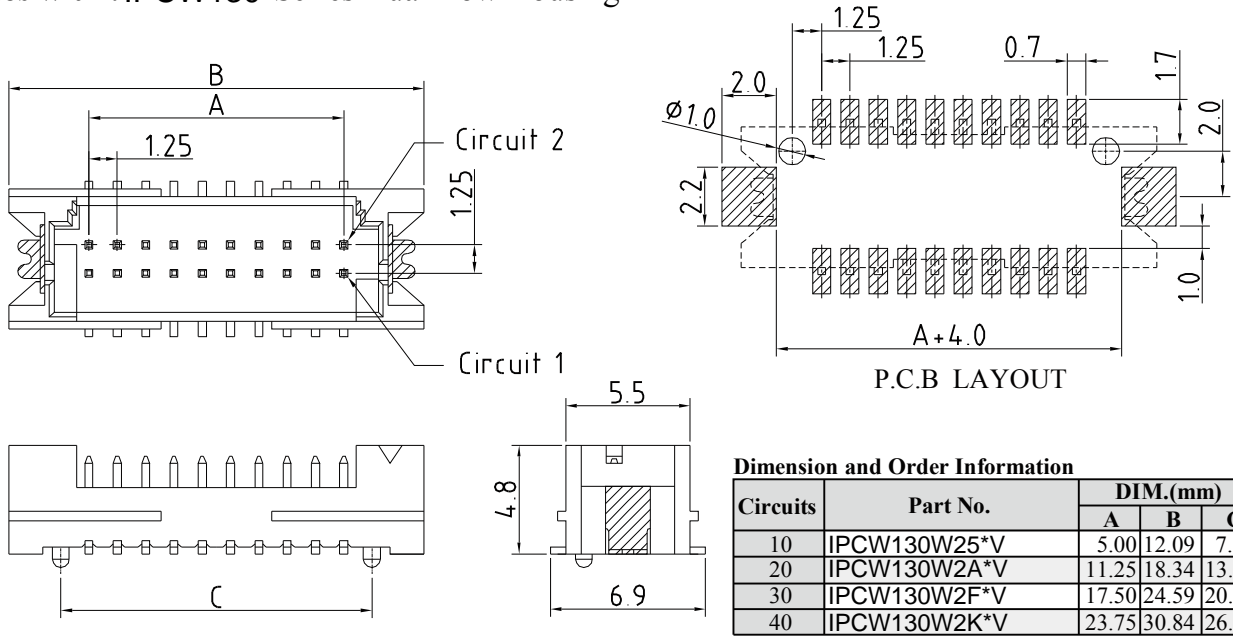
Features

Available Number of Circuits : 2x05 - 2x20

Material : High Temperature Thermoplastic 94V-0

Contact: 0.35mm(.014") Copper Alloy, Tin-plated

Mates with : IPCW130 Series Dual Row Housing



Wafer Vertical SK- Type

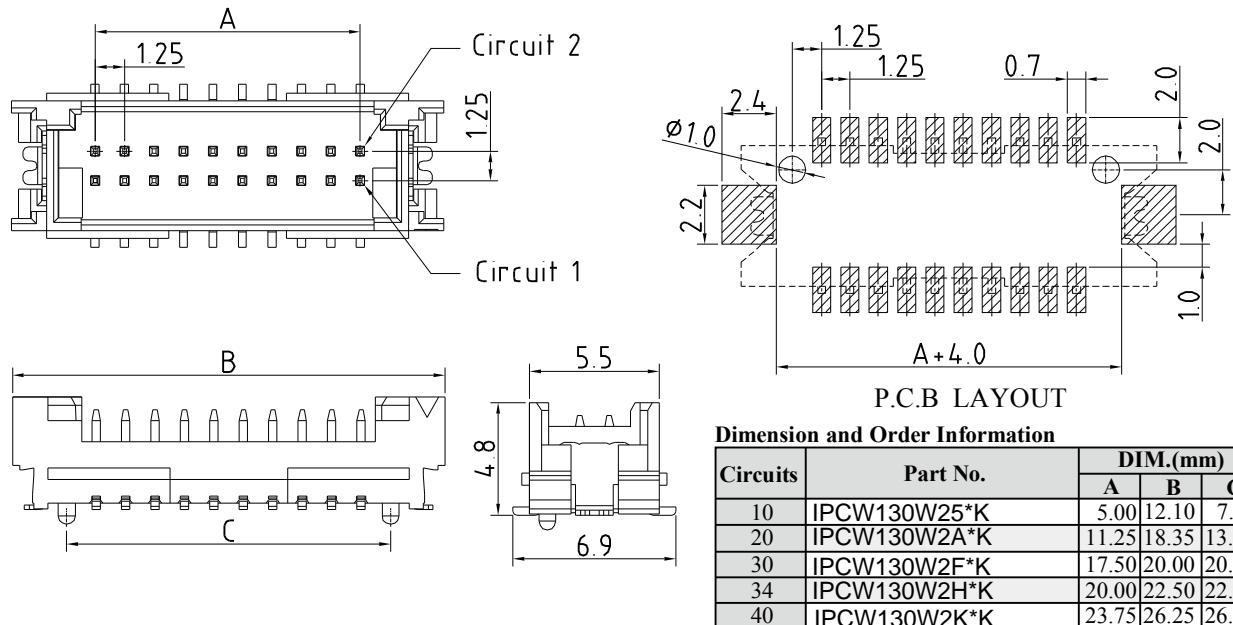
Features

Available Number of Circuits : 2x05 - 2x20

Material : High Temperature Thermoplastic 94V-0

Contact: 0.35mm(.014") Copper Alloy, Tin-plated

Mates with : IPCW130 Series Dual Row K Type Housing



X-ON Electronics

Largest Supplier of Electrical and Electronic Components

Click to view similar products for [Terminals](#) category:

Click to view products by [INCP](#) manufacturer:

Other Similar products are found below :

[00-054007-01074-6](#) [00-054007-70206-1](#) [00-054007-70210-8](#) [00-054007-70217-7](#) [00-054007-70228-3](#) [00-054007-70256-6](#) [00-054007-70316-7](#) [00-054007-49560-4](#) [00-054007-70209-2](#) [00-054007-70231-3](#) [00-054007-70241-2](#) [00-054007-70242-9](#) [00-054007-70246-7](#) [00-054007-70263-4](#) [00-054007-70288-7](#) [00-054007-70290-0](#) [00-054007-70300-6](#) [00-054007-70304-4](#) [01-2900-1-04412](#) [00581P0075](#) [600TS-10](#) [605601-1](#) [60598-1-CUT-TAPE](#) [60617-1-C](#) [61314-6-C](#) [61810-3](#) [626-0194](#) [63-S](#) [M55155/079C01](#) [M55155/099B03](#) [M55155/099H02](#) [M55155/109H01](#) [M55155/12XH05](#) [M55155/29-5S](#) [M55155/29XJ08](#) [M55155/30-6S](#) [M55155/30-9S](#) [M55155/30XI09](#) [M6-14RSX](#) [696683-1](#) [696861-1](#) [696999-1](#) [M86700006](#) [D18-110B-C](#) [D18-110B-M](#) [701-1936](#) [701-1955](#) [701-2003](#) [701-2007](#) [701-2013](#)