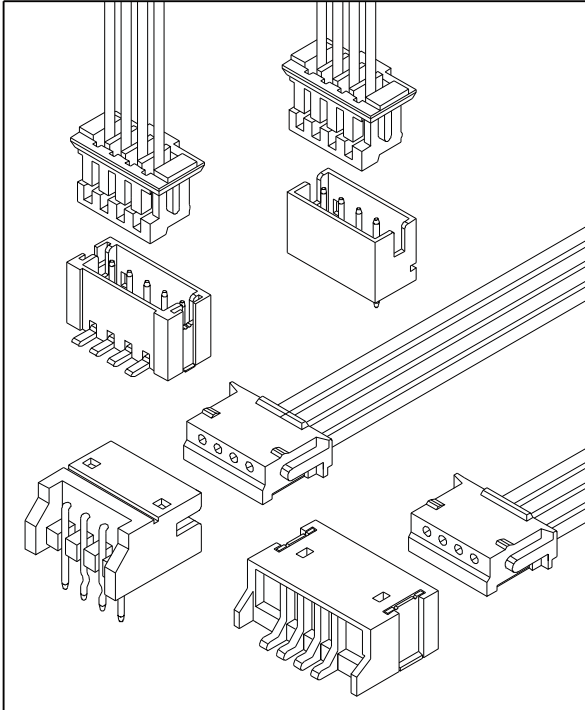


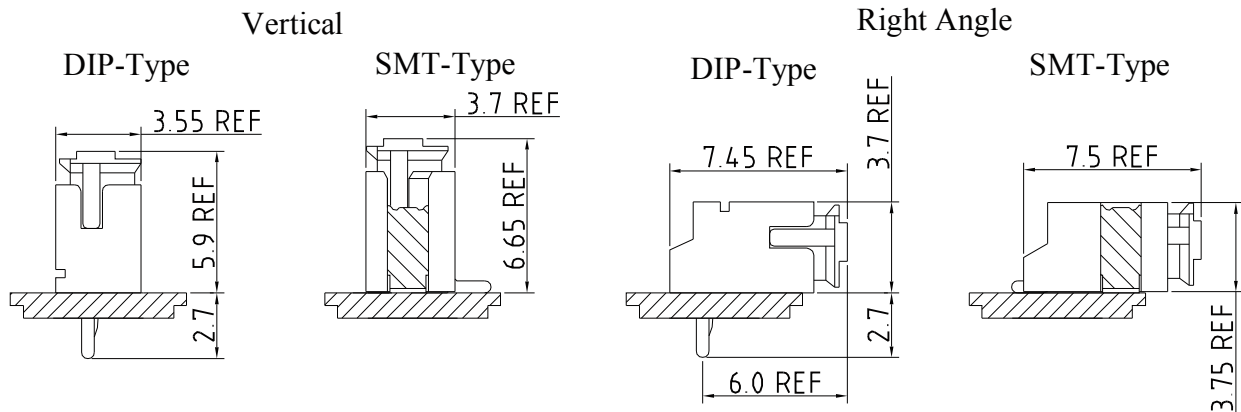
1.50mm Pitch Wire To Board Connector



Specification

| | |
|-----------------------------------|----------------|
| Circuits | 02 -15 |
| Pitch | 1.50mm |
| Current Rating | 1A AC/DC |
| Voltage Rating | 50V AC/DC |
| Contact Resistance | 20mΩ MAX. |
| Withstand Voltage | 500V AC/minute |
| Insulation Resistance | 500MΩ MIN. |
| Temperature Range | -40°C - +105°C |
| Applicable Wire Range | AWG #26 - #32 |
| Applicable P.C.B Thickness | 0.6mm - 1.2mm |
| Applicable P.C.B Hole Dia. | Ø0.7mm ± 0.05 |

Assembly Layout



IPCW150 * ** * * * * *
 ① ② ③ ④ ⑤ ⑥ ⑦ ⑧

- ① Series Type. IPCW150
- ② Connector Type.
T: Terminal
W: Wafer
H: Housing
- ③ Pin code.
Terminal: Serial number
Wafer or Housing: x row x pin number of row
- ④ Material code.
- ⑤ Appearance code.
- ⑥ Internal code
- ⑦ Company code.

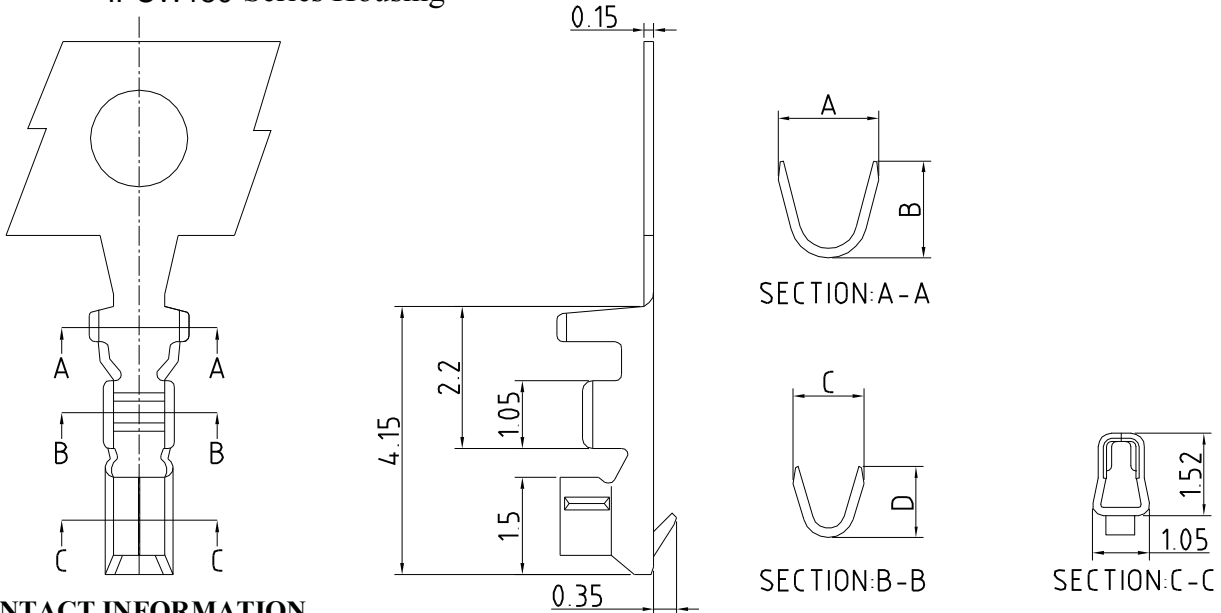
- ⑧ Other code.
Housing
Wafer
V: Vertical
R: Right Angle
S: Vertical SMT Type
M: Right Angle SMT Type

Unit : mm

Terminal

Features

Use with: IPCW150 Series Housing



CONTACT INFORMATION

| Part No. | Wire Range | Insulation O.D. | DIM.(mm) | | | | Material | Finish | Q'ty/Reel |
|-------------|-------------|-----------------|----------|------|------|------|-----------------|----------|------------|
| | | | A | B | C | D | | | |
| IPCW150T01* | AWG #28-#32 | 0.9mm(MAX.) | 1.55 | 1.50 | 1.10 | 1.10 | Phosphor bronze | See note | 10,000 pcs |
| IPCW150T02* | AWG #26-#28 | 1.1mm(MAX.) | 1.70 | 1.80 | 1.25 | 1.20 | | | |

Housing

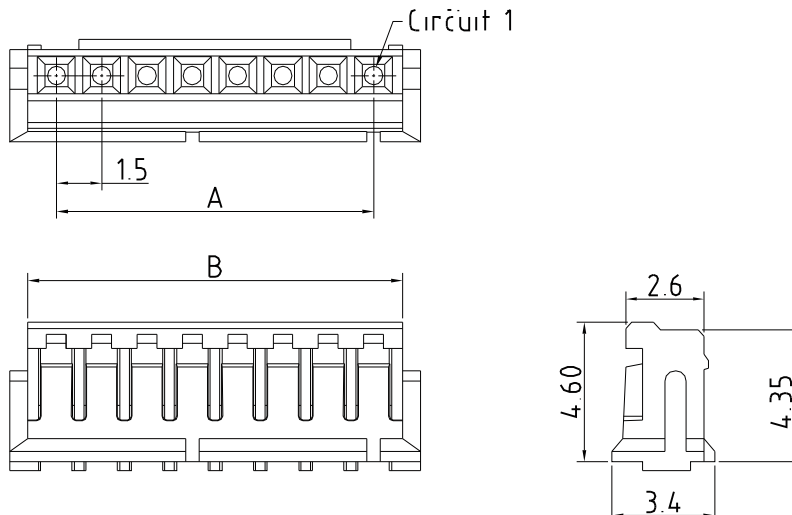
Features

Available Number of Circuits: 02 - 15

Material: Regular Thermoplastic 94V-0

Use with: IPCW150 Crimp Terminal

Mates with : IPCW150 Series Wafer or IPCW150 Female Housing



Dimension and Order Information

| Circuits | Part No. | DIM.(mm) | |
|----------|-------------|----------|-------|
| | | A | B |
| 2 | IPCW150H12* | 1.50 | 3.30 |
| 3 | IPCW150H13* | 3.00 | 4.80 |
| 4 | IPCW150H14* | 4.50 | 6.30 |
| 5 | IPCW150H15* | 6.00 | 7.80 |
| 6 | IPCW150H16* | 7.50 | 9.30 |
| 7 | IPCW150H17* | 9.00 | 10.80 |
| 8 | IPCW150H18* | 10.50 | 12.30 |
| 9 | IPCW150H19* | 12.00 | 13.80 |
| 10 | IPCW150H1A* | 13.50 | 15.30 |
| 11 | IPCW150H1B* | 15.00 | 16.80 |
| 12 | IPCW150H1C* | 16.50 | 18.30 |
| 13 | IPCW150H1D* | 18.00 | 19.80 |
| 14 | IPCW150H1E* | 19.50 | 21.30 |
| 15 | IPCW150H1F* | 21.00 | 22.80 |

1.50mm Pitch Wire To Board Connector

Unit : mm

Wafer

Vertical

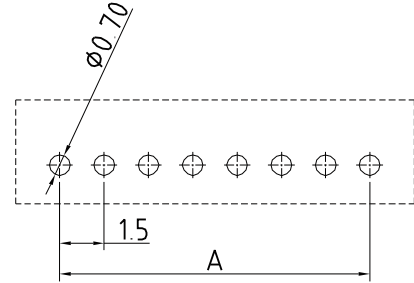
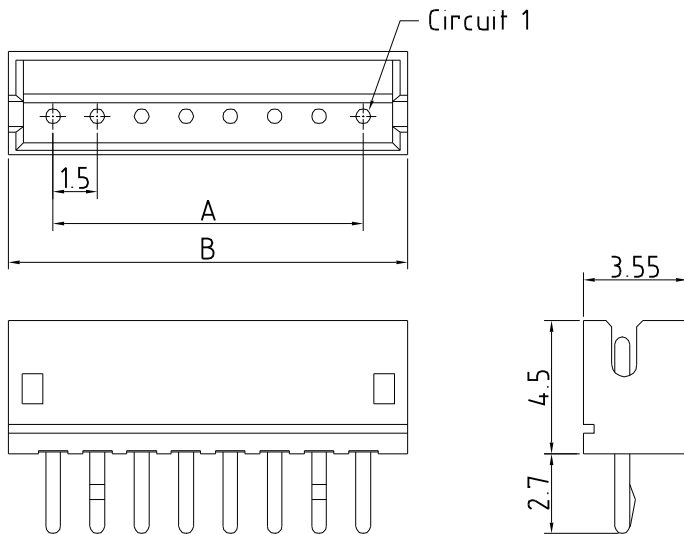
Features

Available Number of Circuits : 02 - 15

Material : Regular Thermoplastic 94V-0

Contact : 0.5mm(.020") Copper Alloy, Tin-plated

Mates with : IPCW150 Series Housing



P.C.B LAYOUT

Dimension and Order Information

| Circuits | Part No. | DIM.(mm) | |
|----------|--------------|----------|-------|
| | | A | B |
| 2 | IPCW150W12*V | 1.50 | 4.50 |
| 3 | IPCW150W13*V | 3.00 | 6.00 |
| 4 | IPCW150W14*V | 4.50 | 7.50 |
| 5 | IPCW150W15*V | 6.00 | 9.00 |
| 6 | IPCW150W16*V | 7.50 | 10.50 |
| 7 | IPCW150W17*V | 9.00 | 12.00 |
| 8 | IPCW150W18*V | 10.50 | 13.50 |
| 9 | IPCW150W19*V | 12.00 | 15.00 |
| 10 | IPCW150W1A*V | 13.50 | 16.50 |
| 11 | IPCW150W1B*V | 15.00 | 18.00 |
| 12 | IPCW150W1C*V | 16.50 | 19.50 |
| 13 | IPCW150W1D*V | 18.00 | 21.00 |
| 14 | IPCW150W1E*V | 19.50 | 22.50 |
| 15 | IPCW150W1F*V | 21.00 | 24.00 |

Wafer

Right Angle

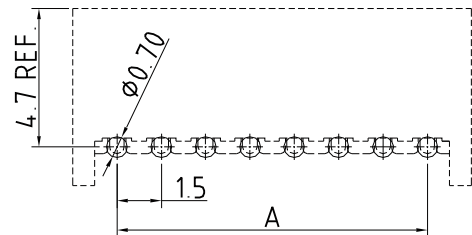
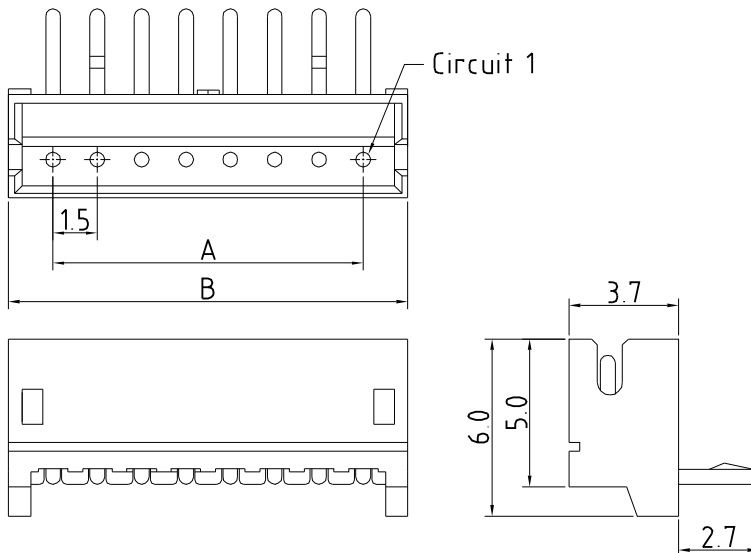
Features

Available Number of Circuits : 02 - 15

Material : Regular Thermoplastic 94V-0

Contact : 0.5mm(.020") Copper Alloy, Tin-plated

Mates with : IPCW150 Series Housing



P.C.B LAYOUT

Dimension and Order Information

| Circuits | Part No. | DIM.(mm) | |
|----------|--------------|----------|-------|
| | | A | B |
| 2 | IPCW150W12*R | 1.50 | 4.50 |
| 3 | IPCW150W13*R | 3.00 | 6.00 |
| 4 | IPCW150W14*R | 4.50 | 7.50 |
| 5 | IPCW150W15*R | 6.00 | 9.00 |
| 6 | IPCW150W16*R | 7.50 | 10.50 |
| 7 | IPCW150W17*R | 9.00 | 12.00 |
| 8 | IPCW150W18*R | 10.50 | 13.50 |
| 9 | IPCW150W19*R | 12.00 | 15.00 |
| 10 | IPCW150W1A*R | 13.50 | 16.50 |
| 11 | IPCW150W1B*R | 15.00 | 18.00 |
| 12 | IPCW150W1C*R | 16.50 | 19.50 |
| 13 | IPCW150W1D*R | 18.00 | 21.00 |
| 14 | IPCW150W1E*R | 19.50 | 22.50 |
| 15 | IPCW150W1F*R | 21.00 | 24.00 |

1.50mm Pitch Wire To Board Connector

Unit : mm

Wafer

Vertical SMT Type

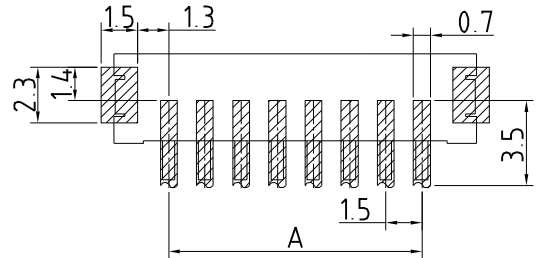
Features

Available Number of Circuits : 02 - 15

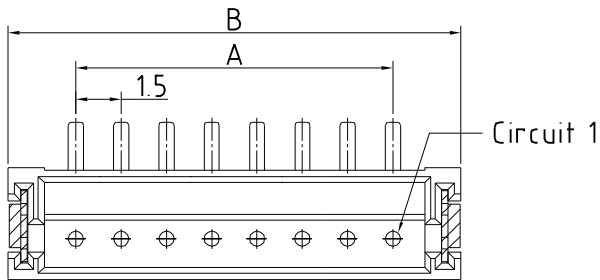
Material : High Temperature Thermoplastic 94V-0

Contact: 0.5mm(.020") Copper Alloy, Tin-plated

Mates with : IPCW150 Series Housing



P.C.B LAYOUT



Dimension and Order Information

| Circuits | Part No. | DIM.(mm) | |
|----------|--------------|----------|-------|
| | | A | B |
| 2 | IPCW150W12*S | 1.50 | 6.00 |
| 3 | IPCW150W13*S | 3.00 | 7.50 |
| 4 | IPCW150W14*S | 4.50 | 9.00 |
| 5 | IPCW150W15*S | 6.00 | 10.50 |
| 6 | IPCW150W16*S | 7.50 | 12.00 |
| 7 | IPCW150W17*S | 9.00 | 13.50 |
| 8 | IPCW150W18*S | 10.50 | 15.00 |
| 9 | IPCW150W19*S | 12.00 | 16.50 |
| 10 | IPCW150W1A*S | 13.50 | 18.00 |
| 11 | IPCW150W1B*S | 15.00 | 19.50 |
| 12 | IPCW150W1C*S | 16.50 | 21.00 |
| 13 | IPCW150W1D*S | 18.00 | 22.50 |
| 14 | IPCW150W1E*S | 19.50 | 24.00 |
| 15 | IPCW150W1F*S | 21.00 | 25.50 |

Wafer

Right Angle SMT Type

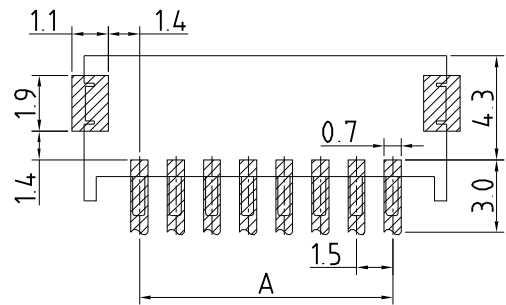
Features

Available Number of Circuits : 02 - 15

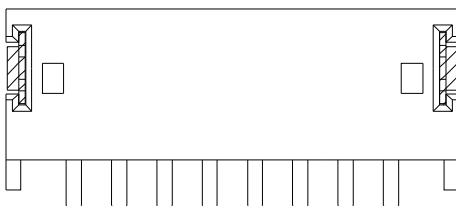
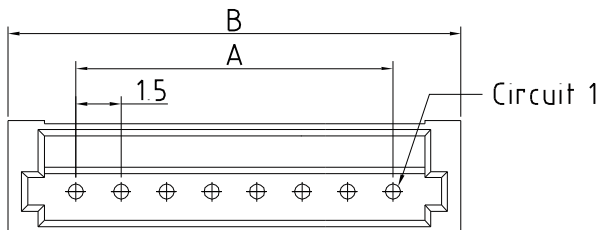
Material : High Temperature Thermoplastic 94V-0

Contact: 0.5mm(.020") Copper Alloy, Tin-plated

Mates with : IPCW150 Series Housing



P.C.B LAYOUT



Dimension and Order Information

| Circuits | Part No. | DIM.(mm) | |
|----------|--------------|----------|-------|
| | | A | B |
| 2 | IPCW150W12*M | 1.50 | 6.00 |
| 3 | IPCW150W13*M | 3.00 | 7.50 |
| 4 | IPCW150W14*M | 4.50 | 9.00 |
| 5 | IPCW150W15*M | 6.00 | 10.50 |
| 6 | IPCW150W16*M | 7.50 | 12.00 |
| 7 | IPCW150W17*M | 9.00 | 13.50 |
| 8 | IPCW150W18*M | 10.50 | 15.00 |
| 9 | IPCW150W19*M | 12.00 | 16.50 |
| 10 | IPCW150W1A*M | 13.50 | 18.00 |
| 11 | IPCW150W1B*M | 15.00 | 19.50 |
| 12 | IPCW150W1C*M | 16.50 | 21.00 |
| 13 | IPCW150W1D*M | 18.00 | 22.50 |
| 14 | IPCW150W1E*M | 19.50 | 24.00 |
| 15 | IPCW150W1F*M | 21.00 | 25.50 |

X-ON Electronics

Largest Supplier of Electrical and Electronic Components

Click to view similar products for [Headers & Wire Housings](#) category:

Click to view products by [INCP](#) manufacturer:

Other Similar products are found below :

[57102-F02-18ULF](#) [58102-G61-06LF](#) [0009485154](#) [009176003701906](#) [0050291907](#) [00-9021-0611-00-339](#) [02.125.8002.8](#) [609-3404](#) [61062-3](#)
[622-0430](#) [622-3653LF](#) [63453-116](#) [636-1030](#) [636-1427](#) [636-3427](#) [636-4007](#) [641938-9](#) [644827-2](#) [65495-038](#) [65692-001LF](#) [65781-018](#)
[65781-047](#) [65817-010LF](#) [65817-015LF](#) [66207-023LF](#) [67016-026LF](#) [67095-007LF](#) [68631-112](#) [68645-018](#) [68648-049](#) [699319-000](#)
[70.362.1628.0](#) [70-4210](#) [70-4226B](#) [70-4853B](#) [707-5020](#) [707-5028](#) [71.350.2428.0](#) [71961-016LF](#) [733-134](#) [754199-000](#) [760-3052](#) [787-8014-00](#)
[FCN-367T-T012/H](#) [80.063.4001.1](#) [800-90-001-10-001000](#) [800-90-010-10-002000](#) [801-43-002-10-013000](#) [801-43-006-10-002000](#)
[803-41-018-10-001000](#)