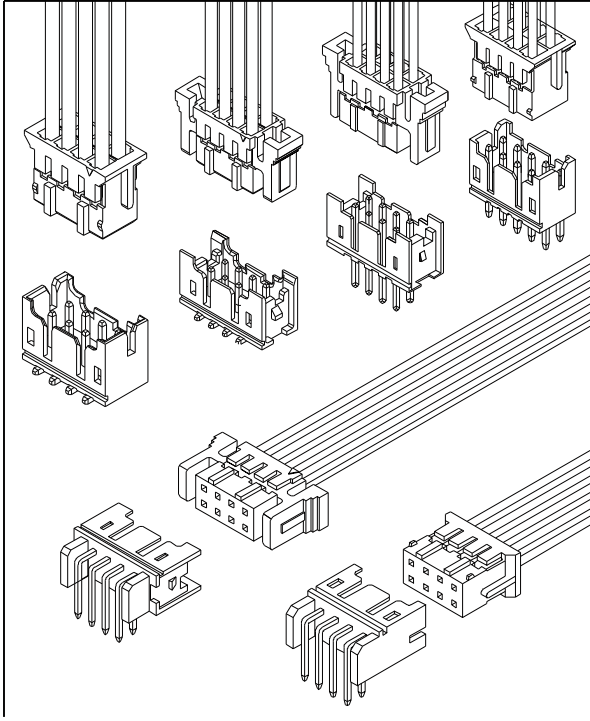


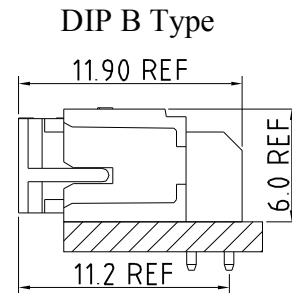
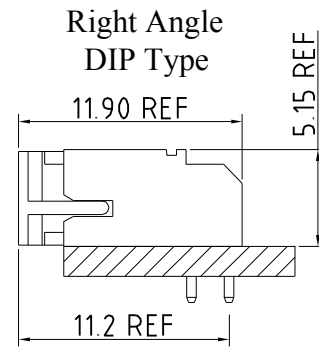
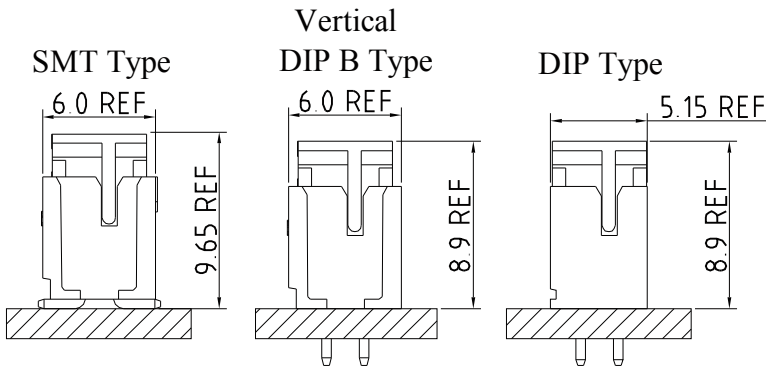
## 2.00mm Pitch Wire To Board Connector



### Specification

<b>Circuits</b>	2x02 - 2x20
<b>Pitch</b>	2.00mm
<b>Current Rating</b>	3A AC/DC
<b>Voltage Rating</b>	100V AC/DC
<b>Contact Resistance</b>	10mΩ MAX.
<b>Withstand Voltage</b>	800V AC/minute
<b>Insulation Resistance</b>	1,000MΩ MIN.
<b>Temperature Range</b>	-40°C - +105°C
<b>Applicable Wire Range</b>	AWG #22 - #30
<b>Applicable P.C.B Thickness</b>	1.6mm
<b>Applicable P.C.B Hole Dia.</b>	Ø0.8mm ± 0.05

### Assembly Layout



IPCW205 \* \*\* \* \* \* \* \*  
 ① ② ③ ④ ⑤ ⑥ ⑦ ⑧

- ① Series Type. IPCW205
- ② Connector Type.  
T: Terminal  
W: Wafer  
H: Housing
- ③ Pin code.  
Terminal: Serial number  
Wafer or Housing: x row x pin number of row
- ④ Material code.
- ⑤ Appearance code.
- ⑥ Internal code
- ⑦ Company code.

- ⑧ Other code.  
Housing  
K: K-TYPE  
Wafer  
V: Vertical  
R: Right Angle  
B: Vertical B TYPE  
S: Vertical SMT TYPE  
J: Vertical SMT C TYPE  
X: Right Angle B TYPE  
1: Vertical KB TYPE  
2: Right Angle KB TYPE  
3: Right Angle KE TYPE

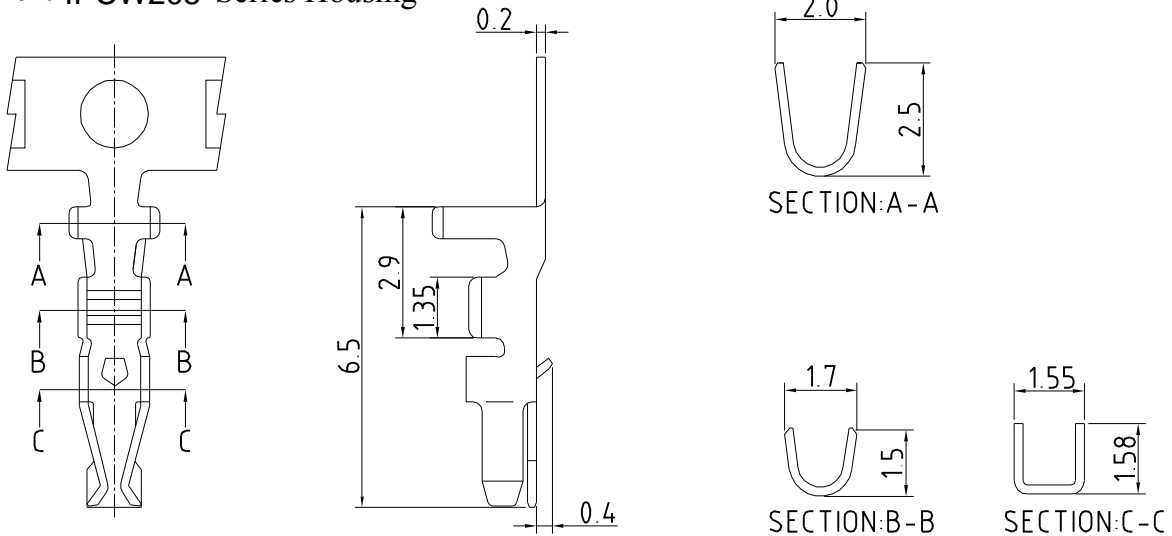
## 2.00mm Pitch Wire To Board Connector

Unit : mm

### Terminal

#### Features

Use with: IPCW205 Series Housing



### CONTACT INFORMATION

Part No.	Wire Range	Insulation O.D.	DIM.(mm)				Material	Finish	Q'ty/Reel
			A	B	C	D			
IPCW205T01*	AWG #22-#28	1.50mm(MAX.)	2.0	2.5	1.6	1.5	Phosphor bronze	See note	10,000 pcs
IPCW205T02*	AWG #26-#30	1.40mm(MAX.)	1.75	1.8	1.4	1.4			

### Housing

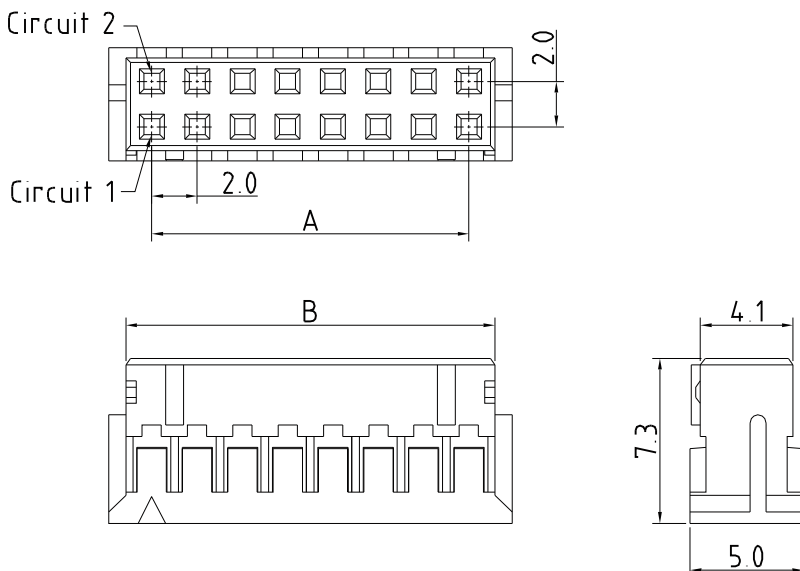
#### Features

Available Number of Circuits: 2x02 - 2x20

Material: Regular Thermoplastic 94V-0

Use with: IPCW205 Crimp Terminal

Mates with: IPCW205 Series Wafer



### Dimension and Order Information

Circuits	Part No.	DIM.(mm)	
		A	B
4	IPCW205H22*	2.00	4.30
6	IPCW205H23*	4.00	6.30
8	IPCW205H24*	6.00	8.30
10	IPCW205H25*	8.00	10.30
12	IPCW205H26*	10.00	12.30
14	IPCW205H27*	12.00	14.30
16	IPCW205H28*	14.00	16.30
18	IPCW205H29*	16.00	18.30
20	IPCW205H2A*	18.00	20.30
22	IPCW205H2B*	20.00	22.30
24	IPCW205H2C*	22.00	24.30
26	IPCW205H2D*	24.00	26.30
28	IPCW205H2E*	26.00	28.30
30	IPCW205H2F*	28.00	30.30
32	IPCW205H2G*	30.00	32.30
34	IPCW205H2H*	32.00	34.30
36	IPCW205H2I*	34.00	36.30
38	IPCW205H2J*	36.00	38.30
40	IPCW205H2K*	38.00	40.30

## 2.00mm Pitch Wire To Board Connector

**Unit : mm**

**Housing** K-TYPE

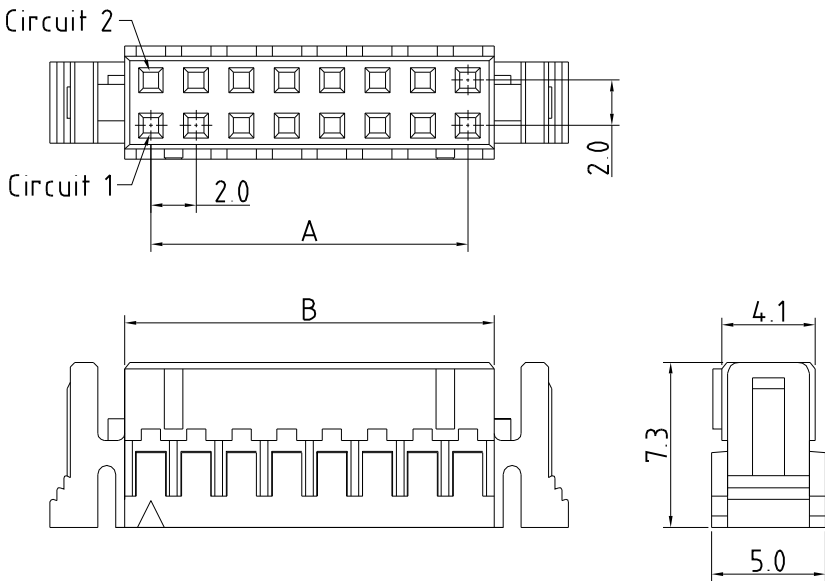
**Features**

**Available Number of Circuits :** 2x02 - 2x20

**Material :** Regular Thermoplastic 94V-0

**Use with :** IPCW205 Crimp Terminal

**Mates with :** IPCW205 Series K-Type Wafer



**Dimension and Order Information**

Circuits	Part No.	DIM.(mm)	
		A	B
4	IPCW205H22*K	2.00	4.30
6	IPCW205H23*K	4.00	6.30
8	IPCW205H24*K	6.00	8.30
10	IPCW205H25*K	8.00	10.30
12	IPCW205H26*K	10.00	12.30
14	IPCW205H27*K	12.00	14.30
16	IPCW205H28*K	14.00	16.30
18	IPCW205H29*K	16.00	18.30
20	IPCW205H2A*K	18.00	20.30
22	IPCW205H2B*K	20.00	22.30
24	IPCW205H2C*K	22.00	24.30
26	IPCW205H2D*K	24.00	26.30
28	IPCW205H2E*K	26.00	28.30
30	IPCW205H2F*K	28.00	30.30
32	IPCW205H2G*K	30.00	32.30
34	IPCW205H2H*K	32.00	34.30
36	IPCW205H2I*K	34.00	36.30
38	IPCW205H2J*K	36.00	38.30
40	IPCW205H2K*K	38.00	40.30

## 2.00mm Pitch Wire To Board Connector

Unit : mm

### Wafer

Vertical

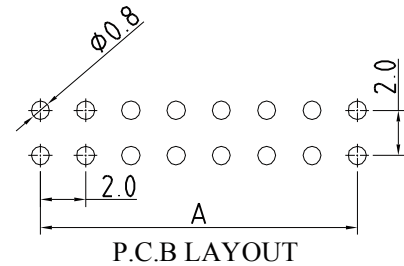
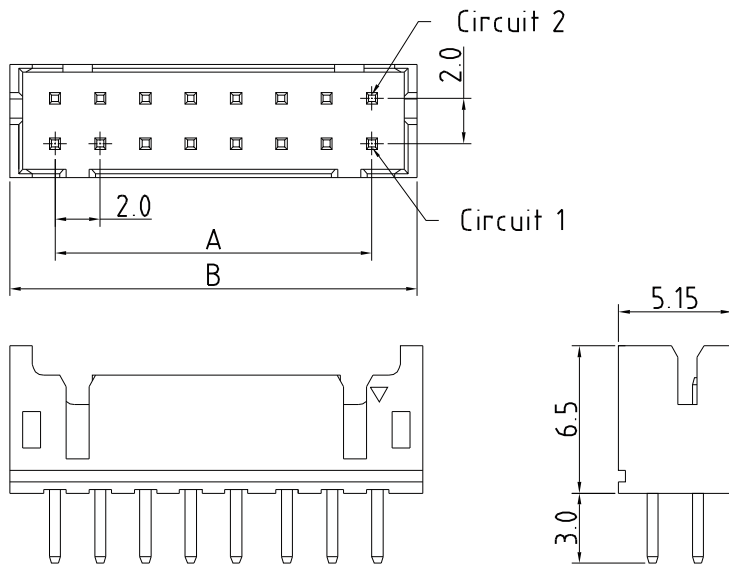
#### Features

Available Number of Circuits : 2x02 - 2x20

Material : Regular Thermoplastic 94V-0

Contact : 0.5mm(.020") Copper Alloy, Tin-plated

Mates with : IPCW205 Series Housing



#### Dimension and Order Information

Circuits	Part No.	DIM.(mm)	
		A	B
4	IPCW205H22*V	2.00	5.90
6	IPCW205H23*V	4.00	7.90
8	IPCW205H24*V	6.00	9.90
10	IPCW205H25*V	8.00	11.90
12	IPCW205H26*V	10.00	13.90
14	IPCW205H27*V	12.00	15.90
16	IPCW205H28*V	14.00	17.90
18	IPCW205H29*V	16.00	19.90
20	IPCW205H2A*V	18.00	21.90
22	IPCW205H2B*V	20.00	23.90
24	IPCW205H2C*V	22.00	25.90
26	IPCW205H2D*V	24.00	27.90
28	IPCW205H2E*V	26.00	29.90
30	IPCW205H2F*V	28.00	31.90
32	IPCW205H2G*V	30.00	33.90
34	IPCW205H2H*V	32.00	35.90
36	IPCW205H2I*V	34.00	37.90
38	IPCW205H2J*V	36.00	39.90
40	IPCW205H2K*V	38.00	41.90

### Wafer

Right Angle

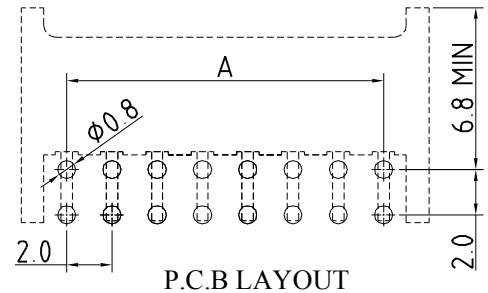
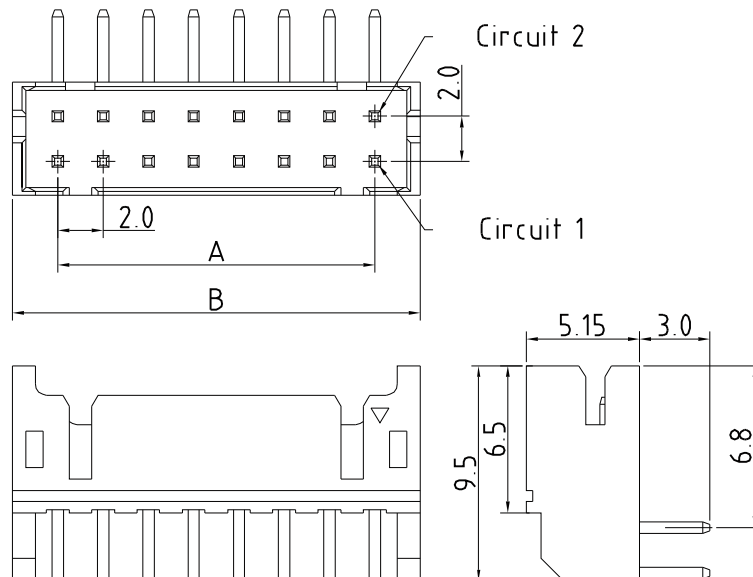
#### Features

Available Number of Circuits : 2x02 - 2x20

Material : Regular Thermoplastic 94V-0

Contact : 0.5mm(.020") Copper Alloy, Tin-plated

Mates with : IPCW205 Series Housing



#### Dimension and Order Information

Circuits	Part No.	DIM.(mm)	
		A	B
4	IPCW205H22*R	2.00	5.90
6	IPCW205H23*R	4.00	7.90
8	IPCW205H24*R	6.00	9.90
10	IPCW205H25*R	8.00	11.90
12	IPCW205H26*R	10.00	13.90
14	IPCW205H27*R	12.00	15.90
16	IPCW205H28*R	14.00	17.90
18	IPCW205H29*R	16.00	19.90
20	IPCW205H2A*R	18.00	21.90
22	IPCW205H2B*R	20.00	23.90
24	IPCW205H2C*R	22.00	25.90
26	IPCW205H2D*R	24.00	27.90
28	IPCW205H2E*R	26.00	29.90
30	IPCW205H2F*R	28.00	31.90
32	IPCW205H2G*R	30.00	33.90
34	IPCW205H2H*R	32.00	35.90
36	IPCW205H2I*R	34.00	37.90
38	IPCW205H2J*R	36.00	39.90
40	IPCW205H2K*R	38.00	41.90

## 2.00mm Pitch Wire To Board Connector

Unit : mm

### Wafer Vertical B TYPE

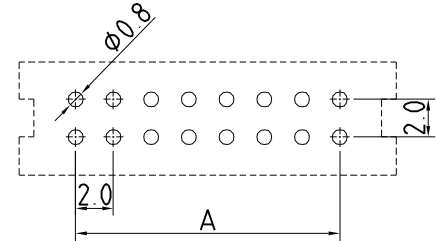
#### Features

Available Number of Circuits : 2x02 - 2x20

Material : High Temperature Thermoplastic 94V-0

Contact : 0.5mm(.020") Square Pin Copper Alloy, Tin-plated

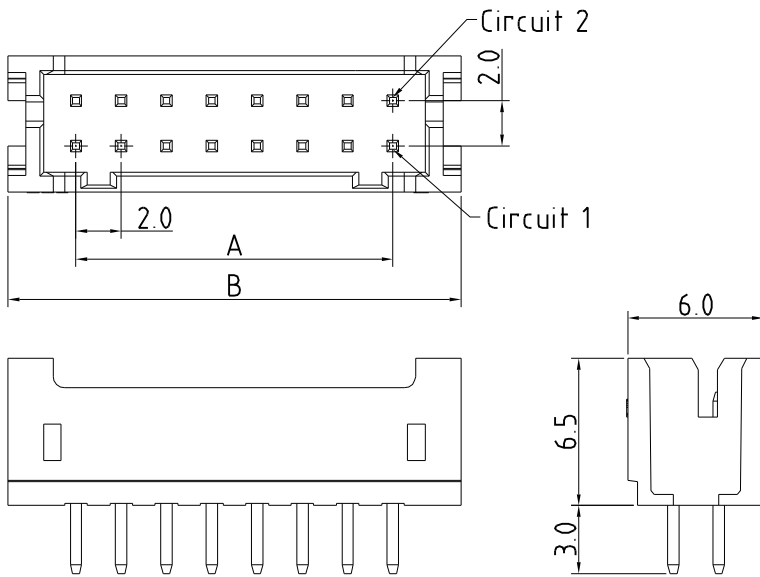
Mates with : IPCW205 Series Housing



P.C.B LAYOUT

Dimension and Order Information

Circuits	Part No.	DIM.(mm)	
		A	B
4	IPCW205H22*B	2.00	8.00
6	IPCW205H23*B	4.00	10.00
8	IPCW205H24*B	6.00	12.00
10	IPCW205H25*B	8.00	14.00
12	IPCW205H26*B	10.00	16.00
14	IPCW205H27*B	12.00	18.00
16	IPCW205H28*B	14.00	20.00
18	IPCW205H29*B	16.00	22.00
20	IPCW205H2A*B	18.00	24.00
22	IPCW205H2B*B	20.00	26.00
24	IPCW205H2C*B	22.00	28.00
26	IPCW205H2D*B	24.00	30.00
28	IPCW205H2E*B	26.00	32.00
30	IPCW205H2F*B	28.00	34.00
32	IPCW205H2G*B	30.00	36.00
34	IPCW205H2H*B	32.00	38.00
36	IPCW205H2I*B	34.00	40.00
38	IPCW205H2J*B	36.00	42.00
40	IPCW205H2K*B	38.00	44.00



### Wafer Right Angle B TYPE

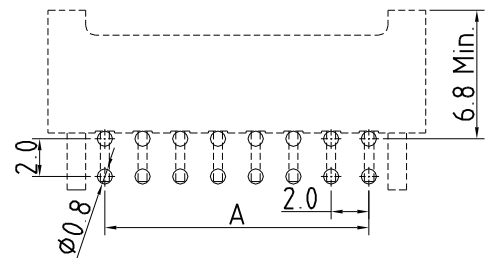
#### Features

Available Number of Circuits : 2x02 - 2x20

Material : High Temperature Thermoplastic 94V-0

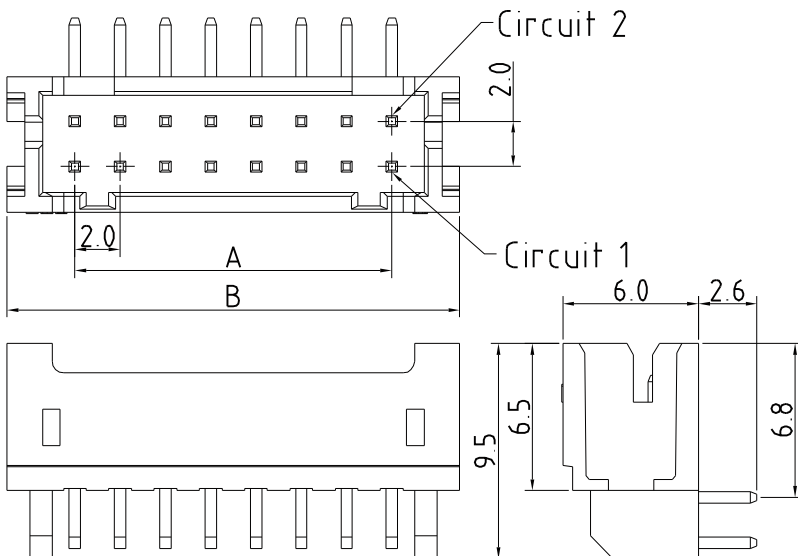
Contact : 0.5mm(.020") Copper Alloy, Tin-plated

Mates with : IPCW205 Series Housing



Dimension and Order Information

Circuits	Part No.	DIM.(mm)	
		A	B
4	IPCW205H22*T	2.00	8.00
6	IPCW205H23*T	4.00	10.00
8	IPCW205H24*T	6.00	12.00
10	IPCW205H25*T	8.00	14.00
12	IPCW205H26*T	10.00	16.00
14	IPCW205H27*T	12.00	18.00
16	IPCW205H28*T	14.00	20.00
18	IPCW205H29*T	16.00	22.00
20	IPCW205H2A*T	18.00	24.00
22	IPCW205H2B*T	20.00	26.00
24	IPCW205H2C*T	22.00	28.00
26	IPCW205H2D*T	24.00	30.00
28	IPCW205H2E*T	26.00	32.00
30	IPCW205H2F*T	28.00	34.00
32	IPCW205H2G*T	30.00	36.00
34	IPCW205H2H*T	32.00	38.00
36	IPCW205H2I*T	34.00	40.00
38	IPCW205H2J*T	36.00	42.00
40	IPCW205H2K*T	38.00	44.00



## 2.00mm Pitch Wire To Board Connector

Unit : mm

### Wafer

Vertical KB TYPE

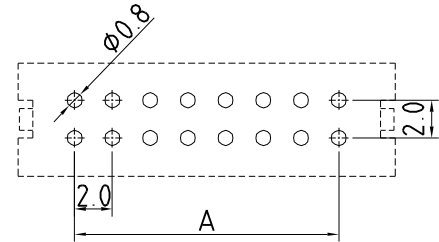
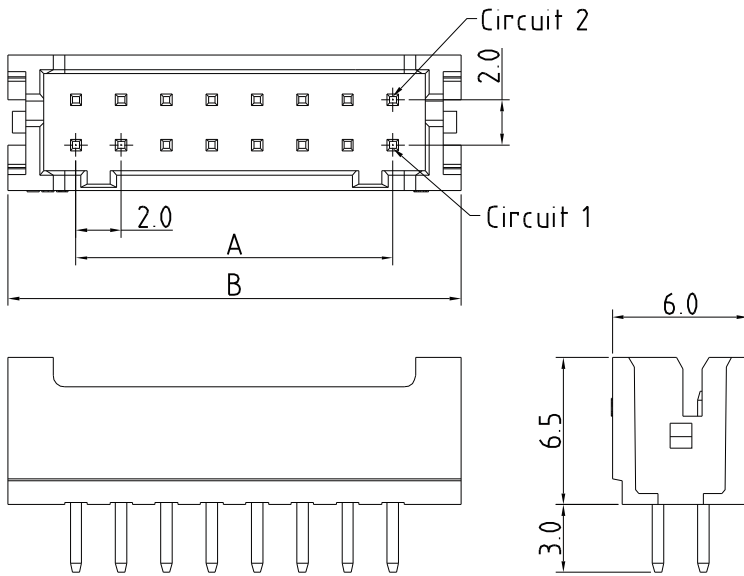
#### Features

Available Number of Circuits : 2x02 - 2x20

Material : High Temperature Thermoplastic 94V-0

Contact : 0.5mm(.020") Copper Alloy, Tin-plated

Mates with : IPCW205 Series K & KE-Type Housing



P.C.B LAYOUT

#### Dimension and Order Information

Circuits	Part No.	DIM.(mm)	
		A	B
4	IPCW205H22*1	2.00	8.00
6	IPCW205H23*1	4.00	10.00
8	IPCW205H24*1	6.00	12.00
10	IPCW205H25*1	8.00	14.00
12	IPCW205H26*1	10.00	16.00
14	IPCW205H27*1	12.00	18.00
16	IPCW205H28*1	14.00	20.00
18	IPCW205H29*1	16.00	22.00
20	IPCW205H2A*1	18.00	24.00
22	IPCW205H2B*1	20.00	26.00
24	IPCW205H2C*1	22.00	28.00
26	IPCW205H2D*1	24.00	30.00
28	IPCW205H2E*1	26.00	32.00
30	IPCW205H2F*1	28.00	34.00
32	IPCW205H2G*1	30.00	36.00
34	IPCW205H2H*1	32.00	38.00
36	IPCW205H2I*1	34.00	40.00
38	IPCW205H2J*1	36.00	42.00
40	IPCW205H2K*1	38.00	44.00

### Wafer

Right Angle KB TYPE

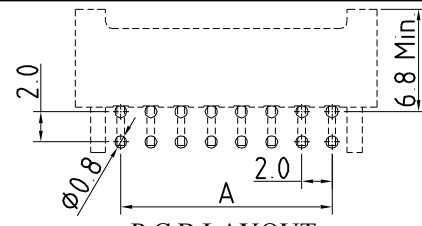
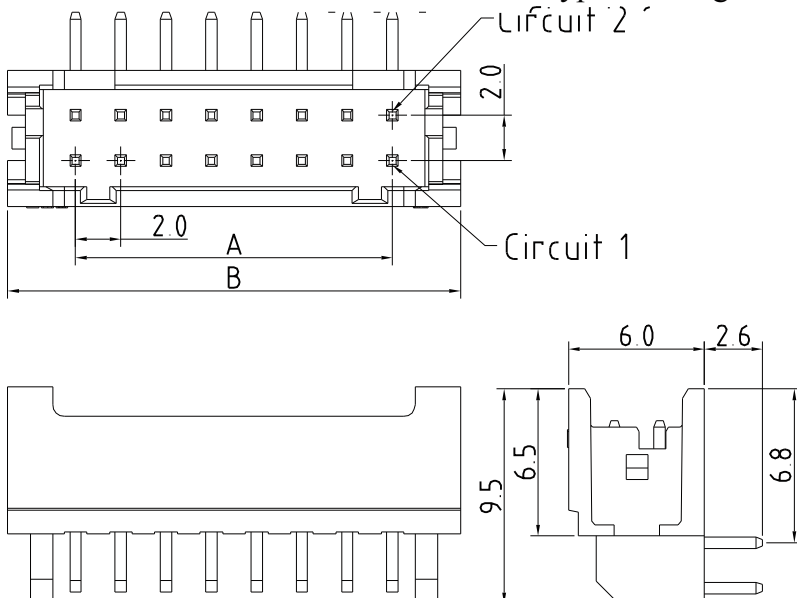
#### Features

Available Number of Circuits :

Material : High Temperature Thermoplastic 94V-0

Contact : 0.5mm(.020") Copper Alloy, Tin-plated

Mates with : IPCW205 Series K & KE-Type Housing



P.C.B LAYOUT

#### Dimension and Order Information

Circuits	Part No.	DIM.(mm)	
		A	B
4	IPCW205H22*E	2.00	8.00
6	IPCW205H23*E	4.00	10.00
8	IPCW205H24*E	6.00	12.00
10	IPCW205H25*E	8.00	14.00
12	IPCW205H26*E	10.00	16.00
14	IPCW205H27*E	12.00	18.00
16	IPCW205H28*E	14.00	20.00
18	IPCW205H29*E	16.00	22.00
20	IPCW205H2A*E	18.00	24.00
22	IPCW205H2B*E	20.00	26.00
24	IPCW205H2C*E	22.00	28.00
26	IPCW205H2D*E	24.00	30.00
28	IPCW205H2E*E	26.00	32.00
30	IPCW205H2F*E	28.00	34.00
32	IPCW205H2G*E	30.00	36.00
34	IPCW205H2H*E	32.00	38.00
36	IPCW205H2I*E	34.00	40.00
38	IPCW205H2J*E	36.00	42.00
40	IPCW205H2K*E	38.00	44.00

## 2.00mm Pitch Wire To Board Connector

Unit : mm

**Wafer** Right Angle KE TYPE

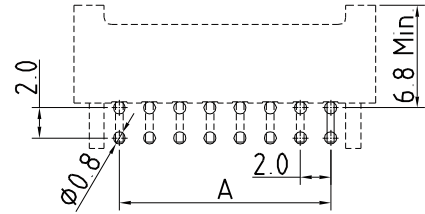
**Features**

**Available Number of Circuits :**

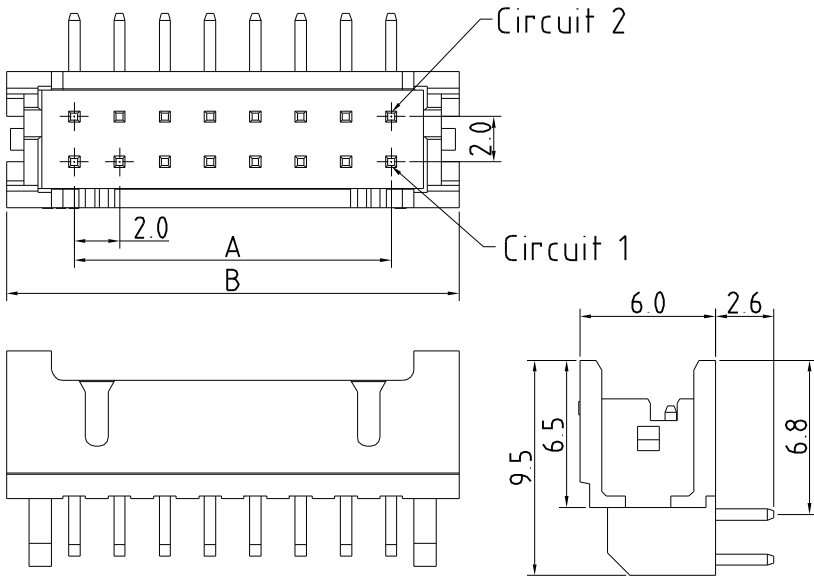
**Material :** High Temperature Thermoplastic 94V-0

**Contact :** 0.5mm(.020") Copper Alloy, Tin-plated

**Mates with :** IPCW205 Series KE-Type Housing



P.C.B LAYOUT



Dimension and Order Information

Circuits	Part No.	DIM.(mm)	
		A	B
4	IPCW205H22*3	2.00	8.00
6	IPCW205H23*3	4.00	10.00
8	IPCW205H24*3	6.00	12.00
10	IPCW205H25*3	8.00	14.00
12	IPCW205H26*3	10.00	16.00
14	IPCW205H27*3	12.00	18.00
16	IPCW205H28*3	14.00	20.00
18	IPCW205H29*3	16.00	22.00
20	IPCW205H2A*3	18.00	24.00
22	IPCW205H2B*3	20.00	26.00
24	IPCW205H2C*3	22.00	28.00
26	IPCW205H2D*3	24.00	30.00
28	IPCW205H2E*3	26.00	32.00
30	IPCW205H2F*3	28.00	34.00
32	IPCW205H2G*3	30.00	36.00
34	IPCW205H2H*3	32.00	38.00
36	IPCW205H2I*3	34.00	40.00
38	IPCW205H2J*3	36.00	42.00
40	IPCW205H2K*3	38.00	44.00

**Wafer** Vertical SMT TYPE

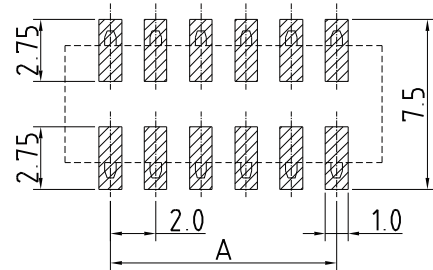
**Features**

**Available Number of Circuits :** 2x02 - 2x20

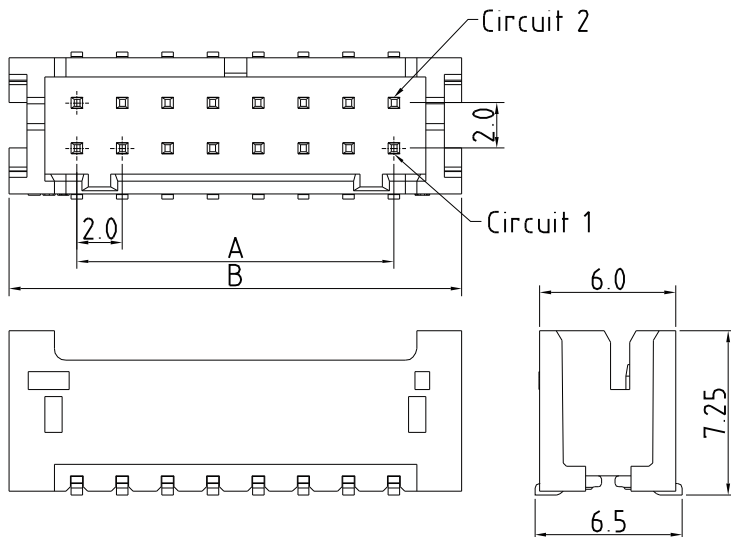
**Material :** High Temperature Thermoplastic 94V-0

**Contact :** 0.5mm(.020") Copper Alloy, Tin-plated

**Mates with :** IPCW205 Series Housing



P.C.B LAYOUT



Dimension and Order Information

Circuits	Part No.	DIM.(mm)	
		A	B
4	IPCW205W22*S	2.00	8.00
6	IPCW205W23*S	4.00	10.00
8	IPCW205W24*S	6.00	12.00
10	IPCW205W25*S	8.00	14.00
12	IPCW205W26*S	10.00	16.00
14	IPCW205W27*S	12.00	18.00
16	IPCW205W28*S	14.00	20.00
18	IPCW205W29*S	16.00	22.00
20	IPCW205W2A*S	18.00	24.00
22	IPCW205W2B*S	20.00	26.00
24	IPCW205W2C*S	22.00	28.00
26	IPCW205W2D*S	24.00	30.00
28	IPCW205W2E*S	26.00	32.00
30	IPCW205W2F*S	28.00	34.00
32	IPCW205W2G*S	30.00	36.00
34	IPCW205W2H*S	32.00	38.00
36	IPCW205W2I*S	34.00	40.00
38	IPCW205W2J*S	36.00	42.00
40	IPCW205W2K*S	38.00	44.00



## 2.00mm Pitch Wire To Board Connector

Unit : mm

### Wafer Vertical SMT B TYPE

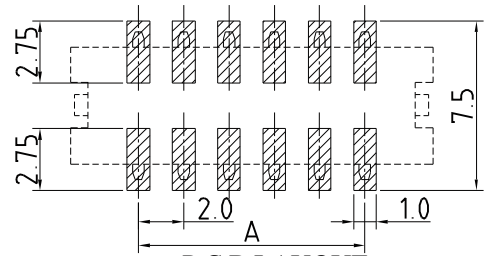
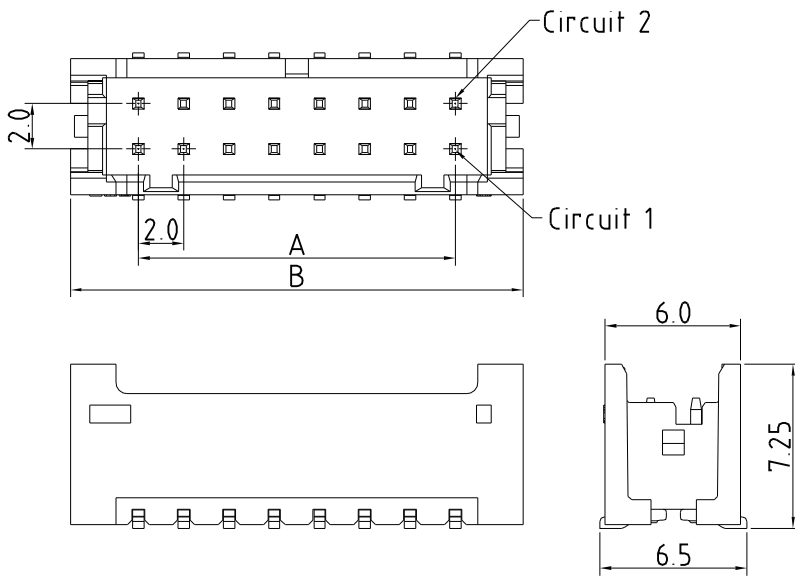
#### Features

Available Number of Circuits : 2x02 - 2x20

Material : High Temperature Thermoplastic 94V-0

Contact : 0.5mm(.020") Copper Alloy, Tin-plated

Mates with : IPCW205 Series K & KE-Type Housing



Dimension and Order Information

Circuits	Part No.	DIM.(mm)	
		A	B
4	IPCW205W22*B	2.00	8.00
6	IPCW205W23*B	4.00	10.00
8	IPCW205W24*B	6.00	12.00
10	IPCW205W25*B	8.00	14.00
12	IPCW205W26*B	10.00	16.00
14	IPCW205W27*B	12.00	18.00
16	IPCW205W28*B	14.00	20.00
18	IPCW205W29*B	16.00	22.00
20	IPCW205W2A*B	18.00	24.00
22	IPCW205W2B*B	20.00	26.00
24	IPCW205W2C*B	22.00	28.00
26	IPCW205W2D*B	24.00	30.00
28	IPCW205W2E*B	26.00	32.00
30	IPCW205W2F*B	28.00	34.00
32	IPCW205W2G*B	30.00	36.00
34	IPCW205W2H*B	32.00	38.00
36	IPCW205W2I*B	34.00	40.00
38	IPCW205W2J*B	36.00	42.00
40	IPCW205W2K*B	38.00	44.00

### Wafer Vertical SMT C TYPE

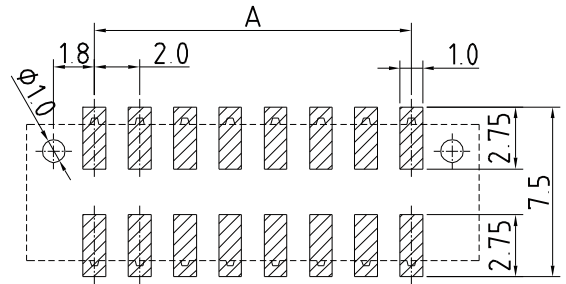
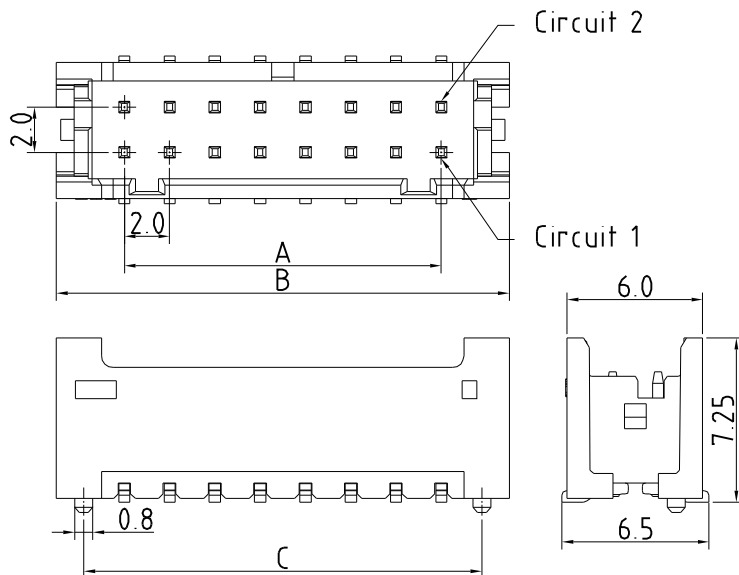
#### Features

Available Number of Circuits : 2x02 - 2x20

Material : High Temperature Thermoplastic 94V-0

Contact : 0.5mm(.020") Copper Alloy, Tin-plated

Mates with : IPCW205 Series K & KE-Type Housing



P.C.B LAYOUT

Dimension and Order Information

Circuits	Part No.	DIM.(mm)		
		A	B	C
4	IPCW205W22*J	2.00	8.00	5.60
6	IPCW205W23*J	4.00	10.00	7.60
8	IPCW205W24*J	6.00	12.00	9.60
10	IPCW205W25*J	8.00	14.00	11.60
12	IPCW205W26*J	10.00	16.00	13.60
14	IPCW205W27*J	12.00	18.00	15.60
16	IPCW205W28*J	14.00	20.00	17.60
18	IPCW205W29*J	16.00	22.00	19.60
20	IPCW205W2A*J	18.00	24.00	21.60
22	IPCW205W2B*J	20.00	26.00	23.60
24	IPCW205W2C*J	22.00	28.00	25.60
26	IPCW205W2D*J	24.00	30.00	27.60
28	IPCW205W2E*J	26.00	32.00	29.60
30	IPCW205W2F*J	28.00	34.00	31.60
32	IPCW205W2G*J	30.00	36.00	33.60
34	IPCW205W2H*J	32.00	38.00	35.60
36	IPCW205W2I*J	34.00	40.00	37.60
38	IPCW205W2J*J	36.00	42.00	39.60
40	IPCW205W2K*J	38.00	44.00	41.60



## X-ON Electronics

Largest Supplier of Electrical and Electronic Components

*Click to view similar products for [Headers & Wire Housings](#) category:*

*Click to view products by [INCP](#) manufacturer:*

Other Similar products are found below :

[57102-F02-18ULF](#) [58102-G61-06LF](#) [0009485154](#) [009176003701906](#) [0050291907](#) [00-9021-0611-00-339](#) [02.125.8002.8](#) [609-3404](#) [61062-3](#)  
[622-0430](#) [622-3653LF](#) [63453-116](#) [636-1030](#) [636-1427](#) [636-3427](#) [636-4007](#) [641938-9](#) [644827-2](#) [65495-038](#) [65692-001LF](#) [65781-018](#)  
[65781-047](#) [65817-010LF](#) [65817-015LF](#) [66207-023LF](#) [67016-026LF](#) [67095-007LF](#) [68631-112](#) [68645-018](#) [68648-049](#) [699319-000](#)  
[70.362.1628.0](#) [70-4210](#) [70-4226B](#) [70-4853B](#) [707-5020](#) [707-5028](#) [71.350.2428.0](#) [71961-016LF](#) [733-134](#) [754199-000](#) [760-3052](#) [787-8014-00](#)  
[FCN-367T-T012/H](#) [80.063.4001.1](#) [800-90-001-10-001000](#) [800-90-010-10-002000](#) [801-43-002-10-013000](#) [801-43-006-10-002000](#)  
[803-41-018-10-001000](#)