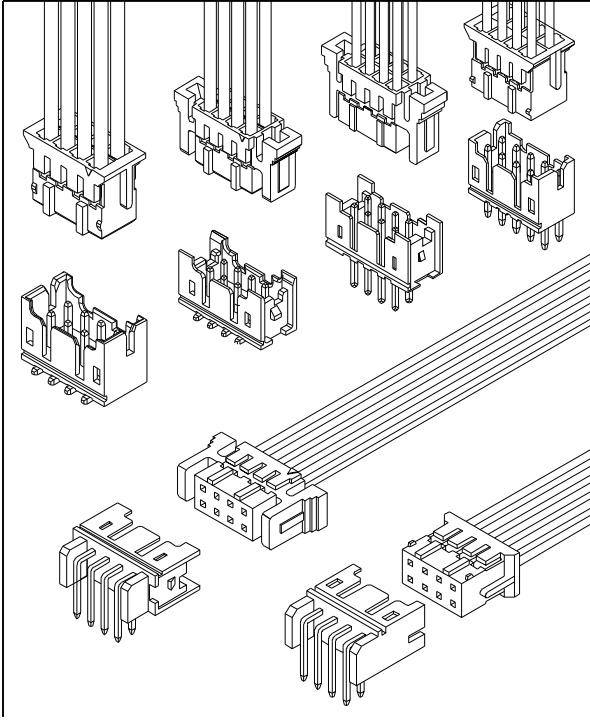


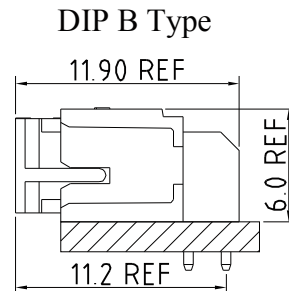
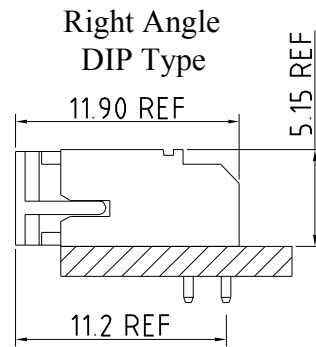
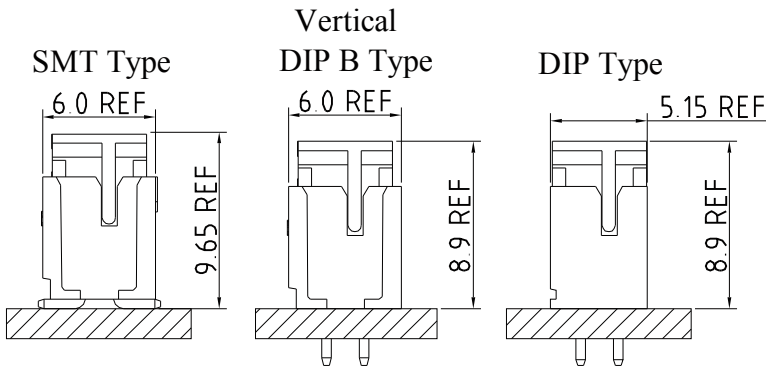
2.00mm Pitch Wire To Board Connector



Specification

Circuits	2x02 - 2x20
Pitch	2.00mm
Current Rating	3A AC/DC
Voltage Rating	100V AC/DC
Contact Resistance	10mΩ MAX.
Withstand Voltage	800V AC/minute
Insulation Resistance	1,000MΩ MIN.
Temperature Range	-40°C - +105°C
Applicable Wire Range	AWG #22 - #30
Applicable P.C.B Thickness	1.6mm
Applicable P.C.B Hole Dia.	Ø0.8mm ± 0.05

Assembly Layout



IPCW205 * ** * * * * *
 ① ② ③ ④ ⑤ ⑥ ⑦ ⑧

① Series Type. IPCW205

② Connector Type.

T: Terminal

W: Wafer

H: Housing

③ Pin code.

Terminal: Serial number

Wafer or Housing: x row x pin number of row

④ Material code.

⑤ Appearance code.

⑥ Internal code

⑦ Company code.

⑧ Other code.

Housing

K: K-TYPE

Wafer

V: Vertical

R: Right Angle

B: Vertical B TYPE

S: Vertical SMT TYPE

J: Vertical SMT C TYPE

X: Right Angle B TYPE

1: Vertical KB TYPE

2: Right Angle KB TYPE

3: Right Angle KE TYPE

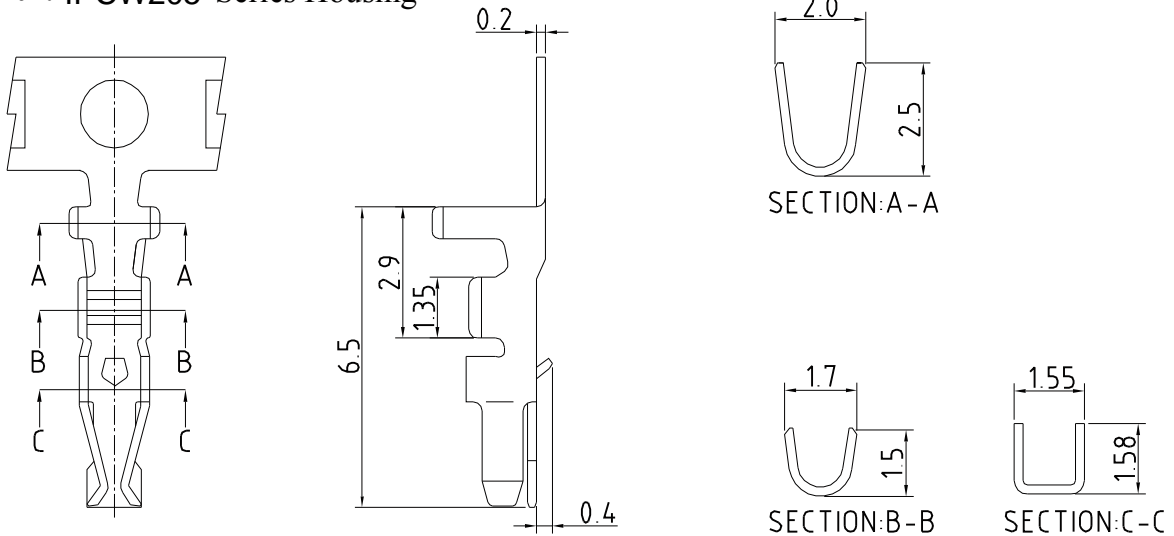
2.00mm Pitch Wire To Board Connector

Unit : mm

Terminal

Features

Use with: IPCW205 Series Housing



CONTACT INFORMATION

Part No.	Wire Range	Insulation O.D.	DIM.(mm)				Material	Finish	Q'ty/Reel
			A	B	C	D			
IPCW205T01*	AWG #22-#28	1.50mm(MAX.)	2.0	2.5	1.6	1.5	Phosphor bronze	See note	10,000 pcs
IPCW205T02*	AWG #26-#30	1.40mm(MAX.)	1.75	1.8	1.4	1.4			

Housing

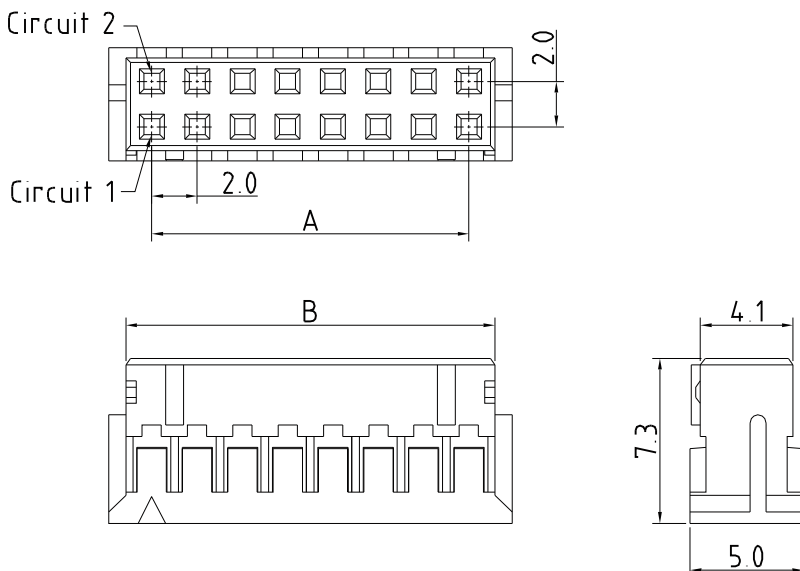
Features

Available Number of Circuits: 2x02 - 2x20

Material: Regular Thermoplastic 94V-0

Use with: IPCW205 Crimp Terminal

Mates with: IPCW205 Series Wafer



Dimension and Order Information

Circuits	Part No.	DIM.(mm)	
		A	B
4	IPCW205H22*	2.00	4.30
6	IPCW205H23*	4.00	6.30
8	IPCW205H24*	6.00	8.30
10	IPCW205H25*	8.00	10.30
12	IPCW205H26*	10.00	12.30
14	IPCW205H27*	12.00	14.30
16	IPCW205H28*	14.00	16.30
18	IPCW205H29*	16.00	18.30
20	IPCW205H2A*	18.00	20.30
22	IPCW205H2B*	20.00	22.30
24	IPCW205H2C*	22.00	24.30
26	IPCW205H2D*	24.00	26.30
28	IPCW205H2E*	26.00	28.30
30	IPCW205H2F*	28.00	30.30
32	IPCW205H2G*	30.00	32.30
34	IPCW205H2H*	32.00	34.30
36	IPCW205H2I*	34.00	36.30
38	IPCW205H2J*	36.00	38.30
40	IPCW205H2K*	38.00	40.30

2.00mm Pitch Wire To Board Connector

Unit : mm

Housing K-TYPE

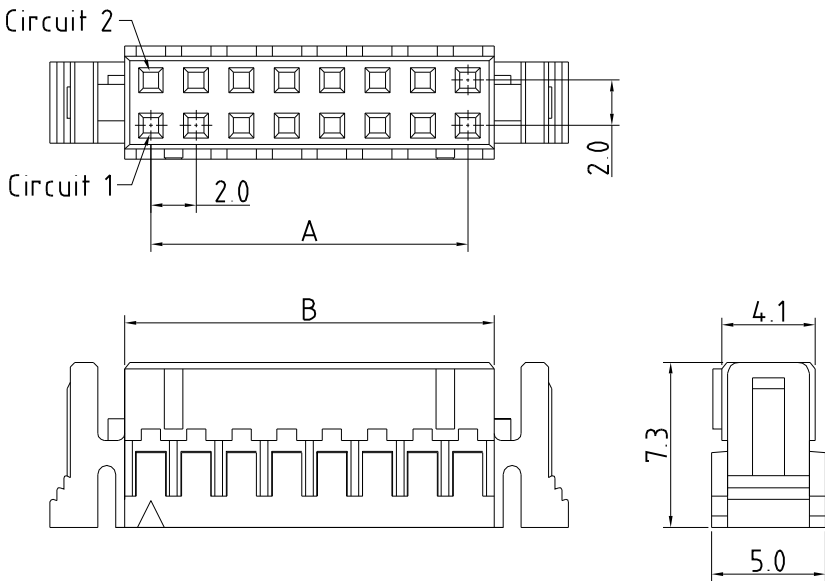
Features

Available Number of Circuits : 2x02 - 2x20

Material : Regular Thermoplastic 94V-0

Use with : IPCW205 Crimp Terminal

Mates with : IPCW205 Series K-Type Wafer



Dimension and Order Information

Circuits	Part No.	DIM.(mm)	
		A	B
4	IPCW205H22*K	2.00	4.30
6	IPCW205H23*K	4.00	6.30
8	IPCW205H24*K	6.00	8.30
10	IPCW205H25*K	8.00	10.30
12	IPCW205H26*K	10.00	12.30
14	IPCW205H27*K	12.00	14.30
16	IPCW205H28*K	14.00	16.30
18	IPCW205H29*K	16.00	18.30
20	IPCW205H2A*K	18.00	20.30
22	IPCW205H2B*K	20.00	22.30
24	IPCW205H2C*K	22.00	24.30
26	IPCW205H2D*K	24.00	26.30
28	IPCW205H2E*K	26.00	28.30
30	IPCW205H2F*K	28.00	30.30
32	IPCW205H2G*K	30.00	32.30
34	IPCW205H2H*K	32.00	34.30
36	IPCW205H2I*K	34.00	36.30
38	IPCW205H2J*K	36.00	38.30
40	IPCW205H2K*K	38.00	40.30

2.00mm Pitch Wire To Board Connector

Unit : mm

Wafer

Vertical

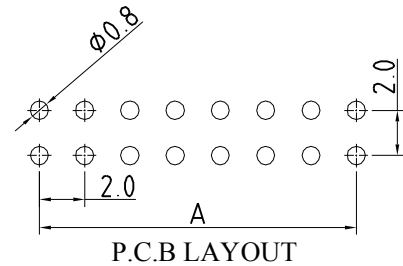
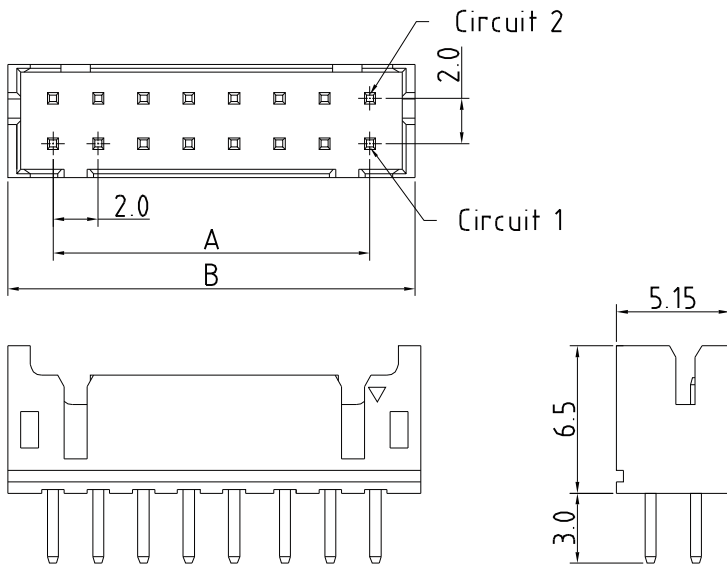
Features

Available Number of Circuits : 2x02 - 2x20

Material : Regular Thermoplastic 94V-0

Contact : 0.5mm(.020") Copper Alloy, Tin-plated

Mates with : IPCW205 Series Housing



Dimension and Order Information

Circuits	Part No.	DIM.(mm)	
		A	B
4	IPCW205H22*V	2.00	5.90
6	IPCW205H23*V	4.00	7.90
8	IPCW205H24*V	6.00	9.90
10	IPCW205H25*V	8.00	11.90
12	IPCW205H26*V	10.00	13.90
14	IPCW205H27*V	12.00	15.90
16	IPCW205H28*V	14.00	17.90
18	IPCW205H29*V	16.00	19.90
20	IPCW205H2A*V	18.00	21.90
22	IPCW205H2B*V	20.00	23.90
24	IPCW205H2C*V	22.00	25.90
26	IPCW205H2D*V	24.00	27.90
28	IPCW205H2E*V	26.00	29.90
30	IPCW205H2F*V	28.00	31.90
32	IPCW205H2G*V	30.00	33.90
34	IPCW205H2H*V	32.00	35.90
36	IPCW205H2I*V	34.00	37.90
38	IPCW205H2J*V	36.00	39.90
40	IPCW205H2K*V	38.00	41.90

Wafer

Right Angle

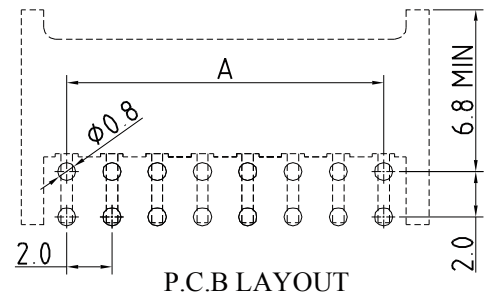
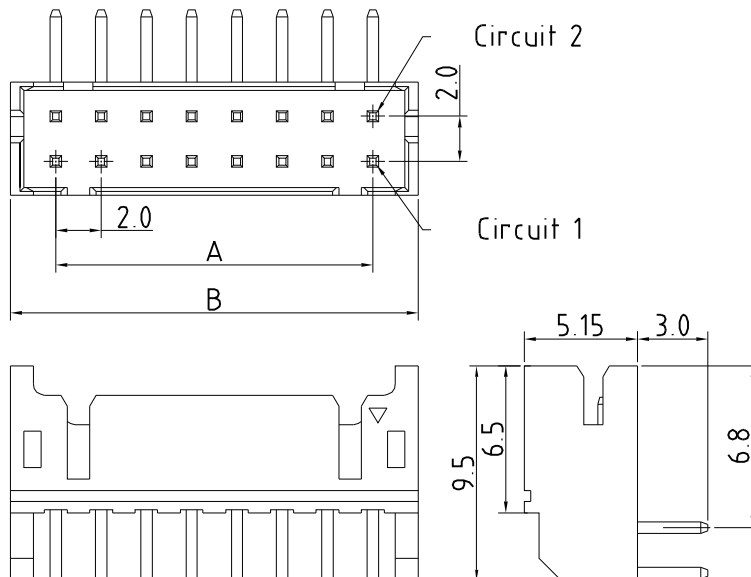
Features

Available Number of Circuits : 2x02 - 2x20

Material : Regular Thermoplastic 94V-0

Contact : 0.5mm(.020") Copper Alloy, Tin-plated

Mates with : IPCW205 Series Housing



Dimension and Order Information

Circuits	Part No.	DIM.(mm)	
		A	B
4	IPCW205H22*R	2.00	5.90
6	IPCW205H23*R	4.00	7.90
8	IPCW205H24*R	6.00	9.90
10	IPCW205H25*R	8.00	11.90
12	IPCW205H26*R	10.00	13.90
14	IPCW205H27*R	12.00	15.90
16	IPCW205H28*R	14.00	17.90
18	IPCW205H29*R	16.00	19.90
20	IPCW205H2A*R	18.00	21.90
22	IPCW205H2B*R	20.00	23.90
24	IPCW205H2C*R	22.00	25.90
26	IPCW205H2D*R	24.00	27.90
28	IPCW205H2E*R	26.00	29.90
30	IPCW205H2F*R	28.00	31.90
32	IPCW205H2G*R	30.00	33.90
34	IPCW205H2H*R	32.00	35.90
36	IPCW205H2I*R	34.00	37.90
38	IPCW205H2J*R	36.00	39.90
40	IPCW205H2K*R	38.00	41.90

2.00mm Pitch Wire To Board Connector

Unit : mm

Wafer Vertical B TYPE

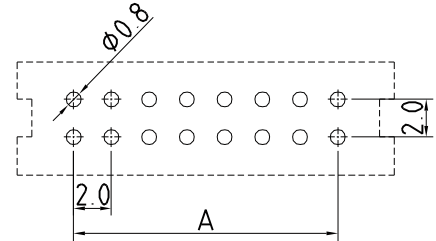
Features

Available Number of Circuits : 2x02 - 2x20

Material : High Temperature Thermoplastic 94V-0

Contact : 0.5mm(.020") Square Pin Copper Alloy, Tin-plated

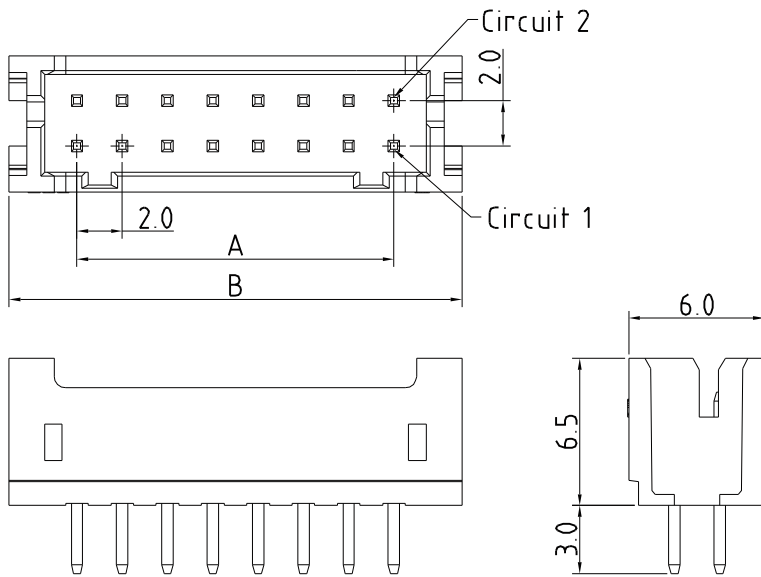
Mates with : IPCW205 Series Housing



P.C.B LAYOUT

Dimension and Order Information

Circuits	Part No.	DIM.(mm)	
		A	B
4	IPCW205H22*B	2.00	8.00
6	IPCW205H23*B	4.00	10.00
8	IPCW205H24*B	6.00	12.00
10	IPCW205H25*B	8.00	14.00
12	IPCW205H26*B	10.00	16.00
14	IPCW205H27*B	12.00	18.00
16	IPCW205H28*B	14.00	20.00
18	IPCW205H29*B	16.00	22.00
20	IPCW205H2A*B	18.00	24.00
22	IPCW205H2B*B	20.00	26.00
24	IPCW205H2C*B	22.00	28.00
26	IPCW205H2D*B	24.00	30.00
28	IPCW205H2E*B	26.00	32.00
30	IPCW205H2F*B	28.00	34.00
32	IPCW205H2G*B	30.00	36.00
34	IPCW205H2H*B	32.00	38.00
36	IPCW205H2I*B	34.00	40.00
38	IPCW205H2J*B	36.00	42.00
40	IPCW205H2K*B	38.00	44.00



Wafer Right Angle B TYPE

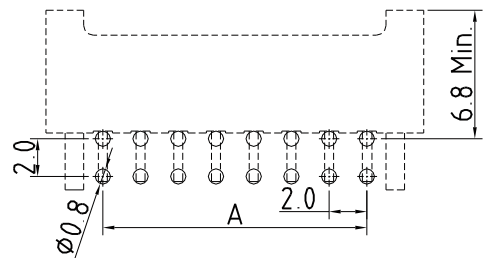
Features

Available Number of Circuits : 2x02 - 2x20

Material : High Temperature Thermoplastic 94V-0

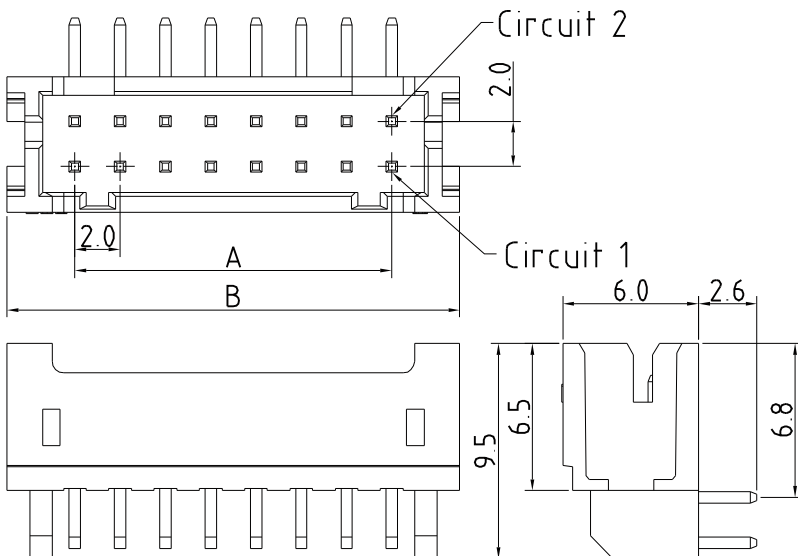
Contact : 0.5mm(.020") Copper Alloy, Tin-plated

Mates with : IPCW205 Series Housing



Dimension and Order Information

Circuits	Part No.	DIM.(mm)	
		A	B
4	IPCW205H22*T	2.00	8.00
6	IPCW205H23*T	4.00	10.00
8	IPCW205H24*T	6.00	12.00
10	IPCW205H25*T	8.00	14.00
12	IPCW205H26*T	10.00	16.00
14	IPCW205H27*T	12.00	18.00
16	IPCW205H28*T	14.00	20.00
18	IPCW205H29*T	16.00	22.00
20	IPCW205H2A*T	18.00	24.00
22	IPCW205H2B*T	20.00	26.00
24	IPCW205H2C*T	22.00	28.00
26	IPCW205H2D*T	24.00	30.00
28	IPCW205H2E*T	26.00	32.00
30	IPCW205H2F*T	28.00	34.00
32	IPCW205H2G*T	30.00	36.00
34	IPCW205H2H*T	32.00	38.00
36	IPCW205H2I*T	34.00	40.00
38	IPCW205H2J*T	36.00	42.00
40	IPCW205H2K*T	38.00	44.00



2.00mm Pitch Wire To Board Connector

Unit : mm

Wafer

Vertical KB TYPE

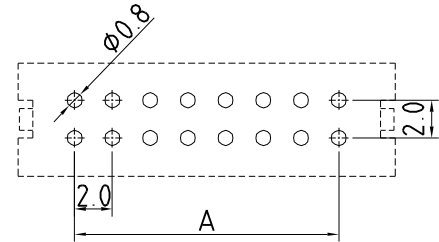
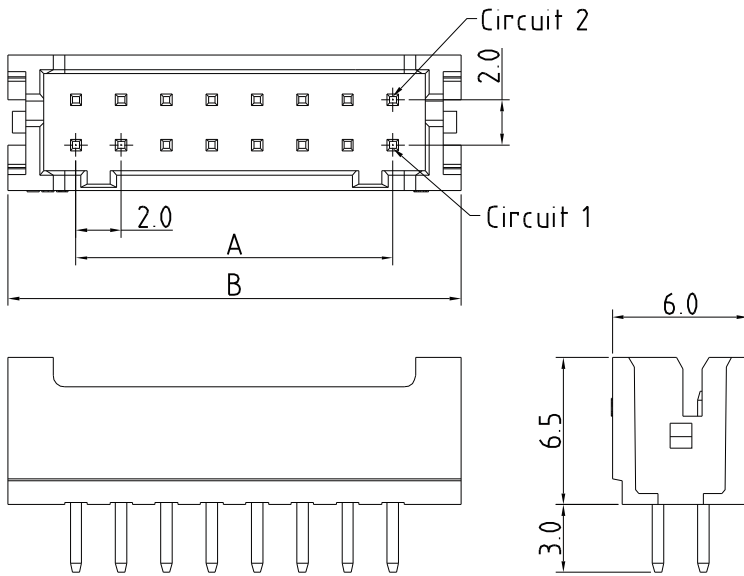
Features

Available Number of Circuits : 2x02 - 2x20

Material : High Temperature Thermoplastic 94V-0

Contact : 0.5mm(.020") Copper Alloy, Tin-plated

Mates with : IPCW205 Series K & KE-Type Housing



P.C.B LAYOUT

Dimension and Order Information

Circuits	Part No.	DIM.(mm)	
		A	B
4	IPCW205H22*1	2.00	8.00
6	IPCW205H23*1	4.00	10.00
8	IPCW205H24*1	6.00	12.00
10	IPCW205H25*1	8.00	14.00
12	IPCW205H26*1	10.00	16.00
14	IPCW205H27*1	12.00	18.00
16	IPCW205H28*1	14.00	20.00
18	IPCW205H29*1	16.00	22.00
20	IPCW205H2A*1	18.00	24.00
22	IPCW205H2B*1	20.00	26.00
24	IPCW205H2C*1	22.00	28.00
26	IPCW205H2D*1	24.00	30.00
28	IPCW205H2E*1	26.00	32.00
30	IPCW205H2F*1	28.00	34.00
32	IPCW205H2G*1	30.00	36.00
34	IPCW205H2H*1	32.00	38.00
36	IPCW205H2I*1	34.00	40.00
38	IPCW205H2J*1	36.00	42.00
40	IPCW205H2K*1	38.00	44.00

Wafer

Right Angle KB TYPE

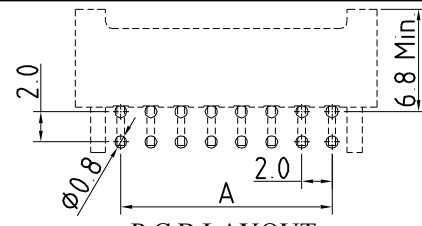
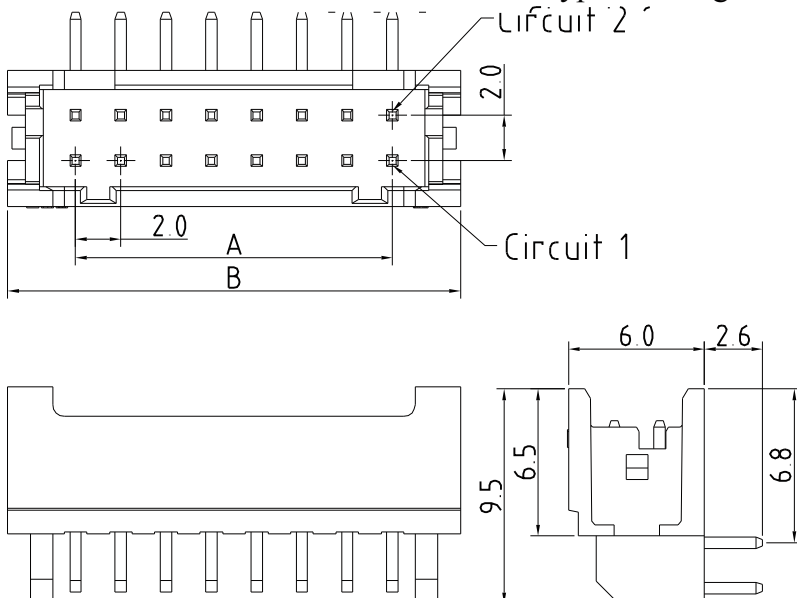
Features

Available Number of Circuits :

Material : High Temperature Thermoplastic 94V-0

Contact : 0.5mm(.020") Copper Alloy, Tin-plated

Mates with : IPCW205 Series K & KE-Type Housing



P.C.B LAYOUT

Dimension and Order Information

Circuits	Part No.	DIM.(mm)	
		A	B
4	IPCW205H22*E	2.00	8.00
6	IPCW205H23*E	4.00	10.00
8	IPCW205H24*E	6.00	12.00
10	IPCW205H25*E	8.00	14.00
12	IPCW205H26*E	10.00	16.00
14	IPCW205H27*E	12.00	18.00
16	IPCW205H28*E	14.00	20.00
18	IPCW205H29*E	16.00	22.00
20	IPCW205H2A*E	18.00	24.00
22	IPCW205H2B*E	20.00	26.00
24	IPCW205H2C*E	22.00	28.00
26	IPCW205H2D*E	24.00	30.00
28	IPCW205H2E*E	26.00	32.00
30	IPCW205H2F*E	28.00	34.00
32	IPCW205H2G*E	30.00	36.00
34	IPCW205H2H*E	32.00	38.00
36	IPCW205H2I*E	34.00	40.00
38	IPCW205H2J*E	36.00	42.00
40	IPCW205H2K*E	38.00	44.00

2.00mm Pitch Wire To Board Connector

Unit : mm

Wafer Right Angle KE TYPE

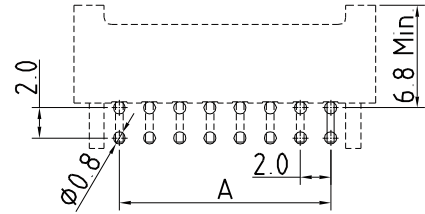
Features

Available Number of Circuits :

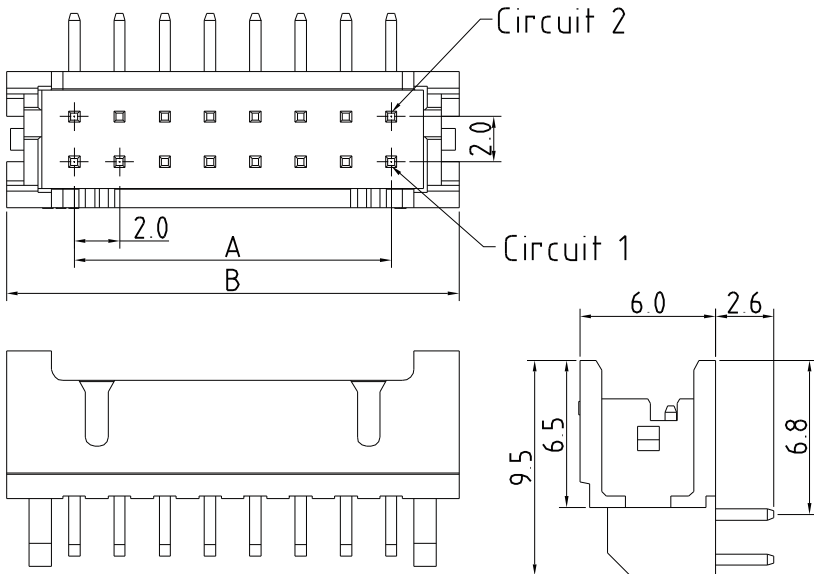
Material : High Temperature Thermoplastic 94V-0

Contact : 0.5mm(.020") Copper Alloy, Tin-plated

Mates with : IPCW205 Series KE-Type Housing



P.C.B LAYOUT



Dimension and Order Information

Circuits	Part No.	DIM.(mm)	
		A	B
4	IPCW205H22*3	2.00	8.00
6	IPCW205H23*3	4.00	10.00
8	IPCW205H24*3	6.00	12.00
10	IPCW205H25*3	8.00	14.00
12	IPCW205H26*3	10.00	16.00
14	IPCW205H27*3	12.00	18.00
16	IPCW205H28*3	14.00	20.00
18	IPCW205H29*3	16.00	22.00
20	IPCW205H2A*3	18.00	24.00
22	IPCW205H2B*3	20.00	26.00
24	IPCW205H2C*3	22.00	28.00
26	IPCW205H2D*3	24.00	30.00
28	IPCW205H2E*3	26.00	32.00
30	IPCW205H2F*3	28.00	34.00
32	IPCW205H2G*3	30.00	36.00
34	IPCW205H2H*3	32.00	38.00
36	IPCW205H2I*3	34.00	40.00
38	IPCW205H2J*3	36.00	42.00
40	IPCW205H2K*3	38.00	44.00

Wafer Vertical SMT TYPE

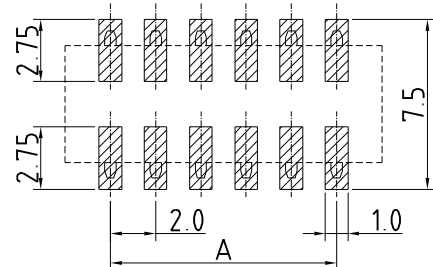
Features

Available Number of Circuits : 2x02 - 2x20

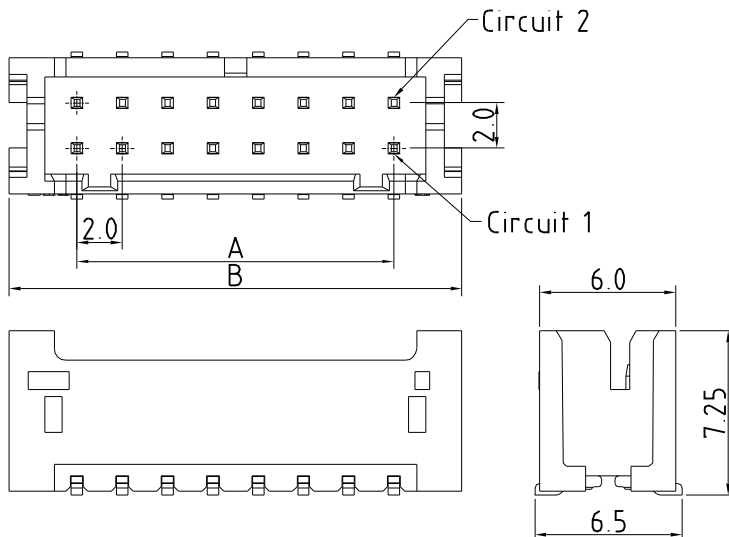
Material : High Temperature Thermoplastic 94V-0

Contact : 0.5mm(.020") Copper Alloy, Tin-plated

Mates with : IPCW205 Series Housing



P.C.B LAYOUT



Dimension and Order Information

Circuits	Part No.	DIM.(mm)	
		A	B
4	IPCW205W22*S	2.00	8.00
6	IPCW205W23*S	4.00	10.00
8	IPCW205W24*S	6.00	12.00
10	IPCW205W25*S	8.00	14.00
12	IPCW205W26*S	10.00	16.00
14	IPCW205W27*S	12.00	18.00
16	IPCW205W28*S	14.00	20.00
18	IPCW205W29*S	16.00	22.00
20	IPCW205W2A*S	18.00	24.00
22	IPCW205W2B*S	20.00	26.00
24	IPCW205W2C*S	22.00	28.00
26	IPCW205W2D*S	24.00	30.00
28	IPCW205W2E*S	26.00	32.00
30	IPCW205W2F*S	28.00	34.00
32	IPCW205W2G*S	30.00	36.00
34	IPCW205W2H*S	32.00	38.00
36	IPCW205W2I*S	34.00	40.00
38	IPCW205W2J*S	36.00	42.00
40	IPCW205W2K*S	38.00	44.00

2.00mm Pitch Wire To Board Connector

Unit : mm

Wafer Vertical SMT B TYPE

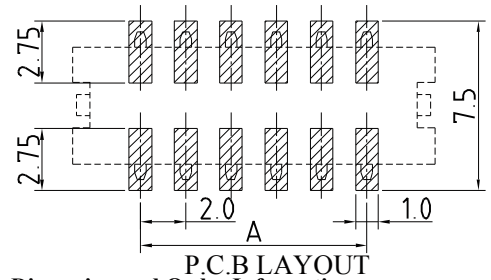
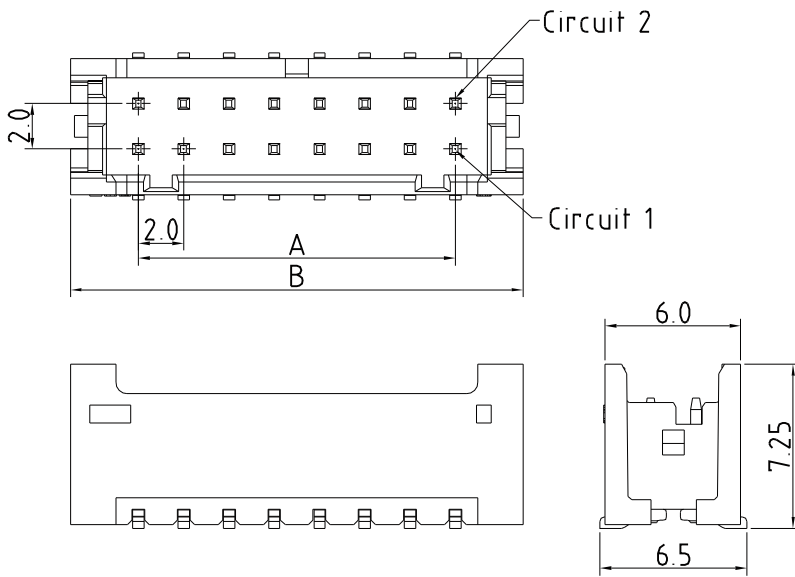
Features

Available Number of Circuits : 2x02 - 2x20

Material : High Temperature Thermoplastic 94V-0

Contact : 0.5mm(.020") Copper Alloy, Tin-plated

Mates with : IPCW205 Series K & KE-Type Housing



Dimension and Order Information

Circuits	Part No.	DIM.(mm)	
		A	B
4	IPCW205W22*B	2.00	8.00
6	IPCW205W23*B	4.00	10.00
8	IPCW205W24*B	6.00	12.00
10	IPCW205W25*B	8.00	14.00
12	IPCW205W26*B	10.00	16.00
14	IPCW205W27*B	12.00	18.00
16	IPCW205W28*B	14.00	20.00
18	IPCW205W29*B	16.00	22.00
20	IPCW205W2A*B	18.00	24.00
22	IPCW205W2B*B	20.00	26.00
24	IPCW205W2C*B	22.00	28.00
26	IPCW205W2D*B	24.00	30.00
28	IPCW205W2E*B	26.00	32.00
30	IPCW205W2F*B	28.00	34.00
32	IPCW205W2G*B	30.00	36.00
34	IPCW205W2H*B	32.00	38.00
36	IPCW205W2I*B	34.00	40.00
38	IPCW205W2J*B	36.00	42.00
40	IPCW205W2K*B	38.00	44.00

Wafer Vertical SMT C TYPE

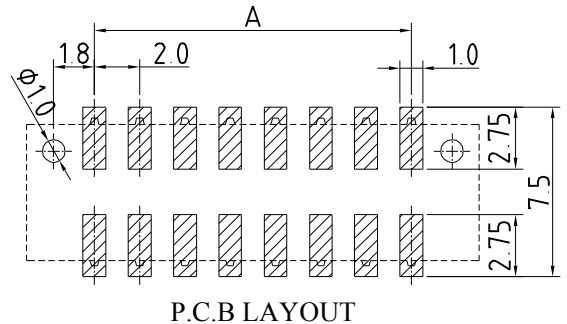
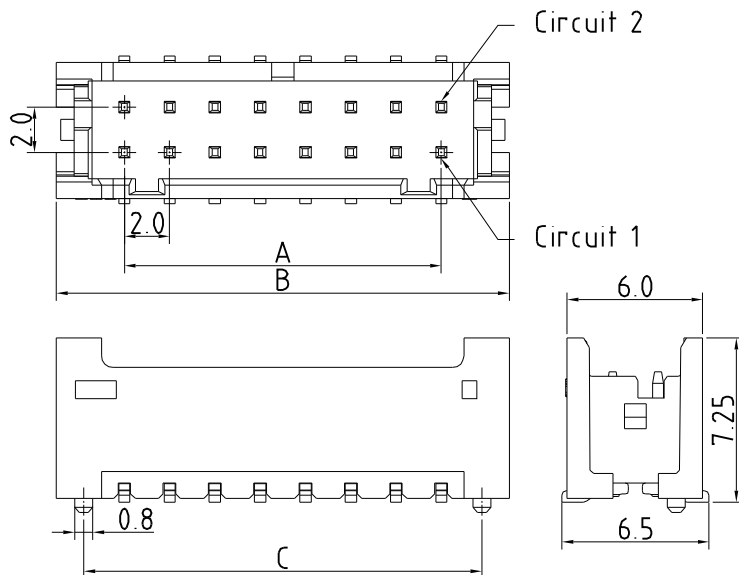
Features

Available Number of Circuits : 2x02 - 2x20

Material : High Temperature Thermoplastic 94V-0

Contact : 0.5mm(.020") Copper Alloy, Tin-plated

Mates with : IPCW205 Series K & KE-Type Housing



Dimension and Order Information

Circuits	Part No.	DIM.(mm)		
		A	B	C
4	IPCW205W22*J	2.00	8.00	5.60
6	IPCW205W23*J	4.00	10.00	7.60
8	IPCW205W24*J	6.00	12.00	9.60
10	IPCW205W25*J	8.00	14.00	11.60
12	IPCW205W26*J	10.00	16.00	13.60
14	IPCW205W27*J	12.00	18.00	15.60
16	IPCW205W28*J	14.00	20.00	17.60
18	IPCW205W29*J	16.00	22.00	19.60
20	IPCW205W2A*J	18.00	24.00	21.60
22	IPCW205W2B*J	20.00	26.00	23.60
24	IPCW205W2C*J	22.00	28.00	25.60
26	IPCW205W2D*J	24.00	30.00	27.60
28	IPCW205W2E*J	26.00	32.00	29.60
30	IPCW205W2F*J	28.00	34.00	31.60
32	IPCW205W2G*J	30.00	36.00	33.60
34	IPCW205W2H*J	32.00	38.00	35.60
36	IPCW205W2I*J	34.00	40.00	37.60
38	IPCW205W2J*J	36.00	42.00	39.60
40	IPCW205W2K*J	38.00	44.00	41.60

X-ON Electronics

Largest Supplier of Electrical and Electronic Components

Click to view similar products for [Headers & Wire Housings](#) category:

Click to view products by [INCP](#) manufacturer:

Other Similar products are found below :

[0015917161](#) [0022155065](#) [57102-F02-18ULF](#) [58102-G61-06LF](#) [582553-1](#) [01.001.5753.1](#) [0050291907](#) [02.125.8002.8](#) [609-3404](#) [61062-3](#)
[CSU011177004](#) [622-0430](#) [622-3653LF](#) [63453-116](#) [636-1030](#) [636-1427](#) [636-3427](#) [636-4007](#) [641938-9](#) [65495-038](#) [65692-001LF](#) [65781-018](#)
[65781-047](#) [65817-010LF](#) [65817-015LF](#) [67095-007LF](#) [67601157](#) [68631-112](#) [68645-018](#) [699319-000](#) [70.362.1628.0](#) [70-4210](#) [70-4226B](#) [70-](#)
[4853B](#) [71.350.2428.0](#) [733-134](#) [733-162](#) [760-3052](#) [MHR-64-VUAL](#) [80.063.4001.1](#) [800-90-001-10-001000](#) [801-43-002-10-013000](#)
[801-43-006-10-002000](#) [803-43-024-10-001000](#) [803-93-012-10-001000](#) [8-1437020-4](#) [819-22-004-30-001101](#) [820-22-006-30-001101](#)
[820-22-008-30-001101](#) [821-22-002-10-001101](#)