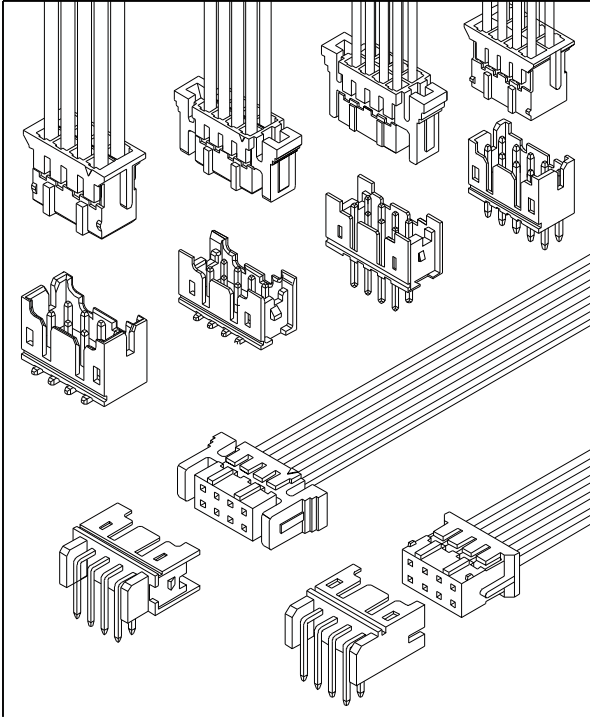


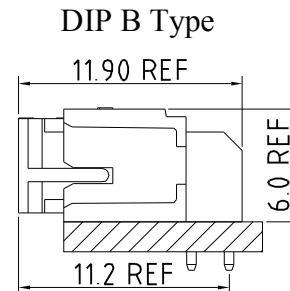
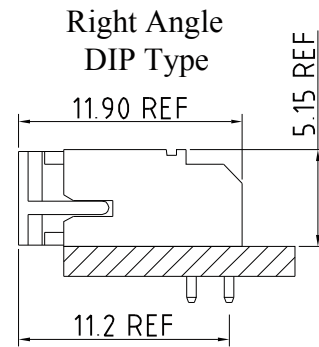
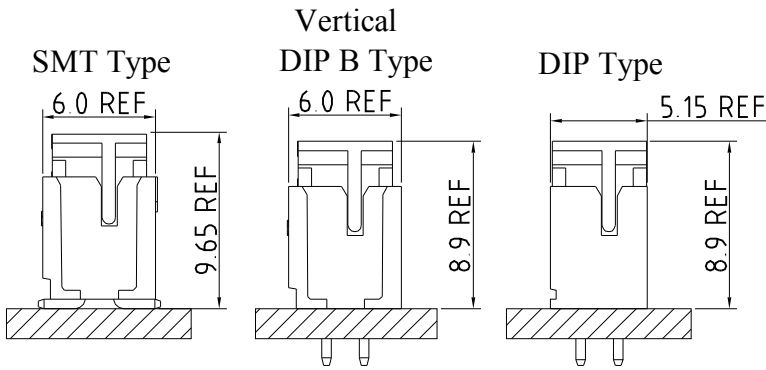
2.00mm Pitch Wire To Board Connector



Specification

| | |
|-----------------------------------|----------------|
| Circuits | 2x02 - 2x20 |
| Pitch | 2.00mm |
| Current Rating | 3A AC/DC |
| Voltage Rating | 100V AC/DC |
| Contact Resistance | 10mΩ MAX. |
| Withstand Voltage | 800V AC/minute |
| Insulation Resistance | 1,000MΩ MIN. |
| Temperature Range | -40°C - +105°C |
| Applicable Wire Range | AWG #22 - #30 |
| Applicable P.C.B Thickness | 1.6mm |
| Applicable P.C.B Hole Dia. | ∅0.8mm ± 0.05 |

Assembly Layout



IPCW205 * ** * * * * *
 ① ② ③ ④ ⑤ ⑥ ⑦ ⑧

- ① Series Type. IPCW205
- ② Connector Type.
T: Terminal
W: Wafer
H: Housing
- ③ Pin code.
Terminal: Serial number
Wafer or Housing: x row x pin number of row
- ④ Material code.
- ⑤ Appearance code.
- ⑥ Internal code
- ⑦ Company code.

- ⑧ Other code.
Housing
K: K-TYPE
Wafer
V: Vertical
R: Right Angle
B: Vertical B TYPE
S: Vertical SMT TYPE
J: Vertical SMT C TYPE
X: Right Angle B TYPE
1: Vertical KB TYPE
2: Right Angle KB TYPE
3: Right Angle KE TYPE

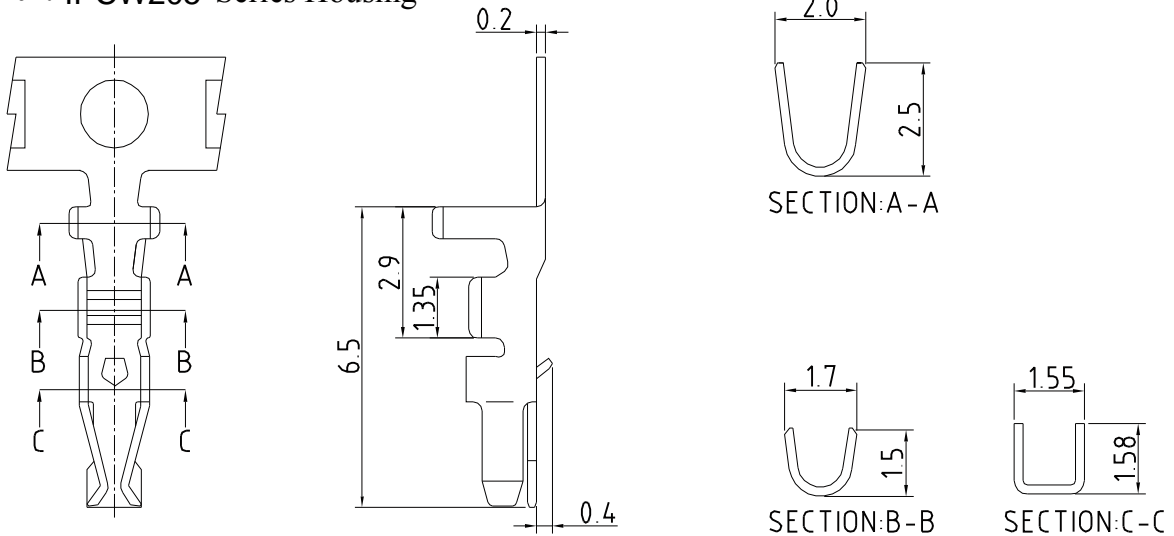
2.00mm Pitch Wire To Board Connector

Unit : mm

Terminal

Features

Use with: IPCW205 Series Housing



CONTACT INFORMATION

| Part No. | Wire Range | Insulation O.D. | DIM.(mm) | | | | Material | Finish | Q'ty/Reel |
|-------------|-------------|-----------------|----------|-----|-----|-----|-----------------|----------|------------|
| | | | A | B | C | D | | | |
| IPCW205T01* | AWG #22-#28 | 1.50mm(MAX.) | 2.0 | 2.5 | 1.6 | 1.5 | Phosphor bronze | See note | 10,000 pcs |
| IPCW205T02* | AWG #26-#30 | 1.40mm(MAX.) | 1.75 | 1.8 | 1.4 | 1.4 | | | |

Housing

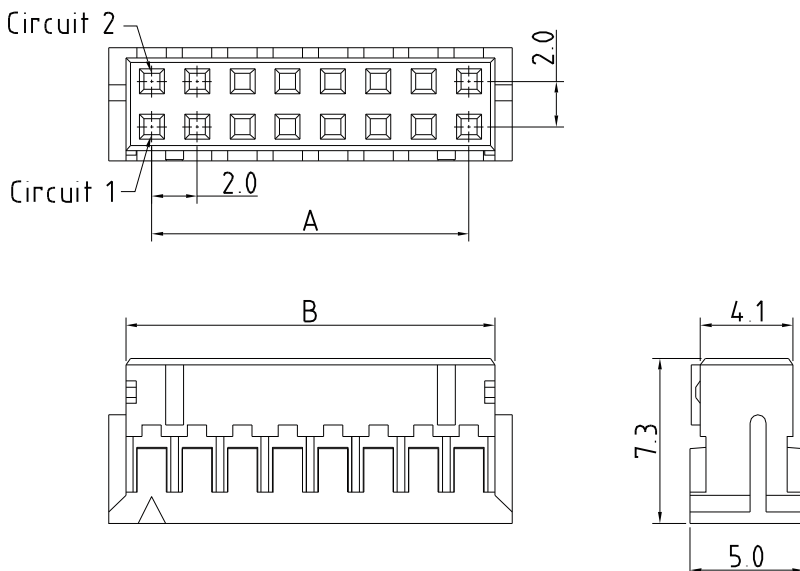
Features

Available Number of Circuits: 2x02 - 2x20

Material: Regular Thermoplastic 94V-0

Use with: IPCW205 Crimp Terminal

Mates with: IPCW205 Series Wafer



Dimension and Order Information

| Circuits | Part No. | DIM.(mm) | |
|----------|-------------|----------|-------|
| | | A | B |
| 4 | IPCW205H22* | 2.00 | 4.30 |
| 6 | IPCW205H23* | 4.00 | 6.30 |
| 8 | IPCW205H24* | 6.00 | 8.30 |
| 10 | IPCW205H25* | 8.00 | 10.30 |
| 12 | IPCW205H26* | 10.00 | 12.30 |
| 14 | IPCW205H27* | 12.00 | 14.30 |
| 16 | IPCW205H28* | 14.00 | 16.30 |
| 18 | IPCW205H29* | 16.00 | 18.30 |
| 20 | IPCW205H2A* | 18.00 | 20.30 |
| 22 | IPCW205H2B* | 20.00 | 22.30 |
| 24 | IPCW205H2C* | 22.00 | 24.30 |
| 26 | IPCW205H2D* | 24.00 | 26.30 |
| 28 | IPCW205H2E* | 26.00 | 28.30 |
| 30 | IPCW205H2F* | 28.00 | 30.30 |
| 32 | IPCW205H2G* | 30.00 | 32.30 |
| 34 | IPCW205H2H* | 32.00 | 34.30 |
| 36 | IPCW205H2I* | 34.00 | 36.30 |
| 38 | IPCW205H2J* | 36.00 | 38.30 |
| 40 | IPCW205H2K* | 38.00 | 40.30 |

2.00mm Pitch Wire To Board Connector

Unit : mm

Housing K-TYPE

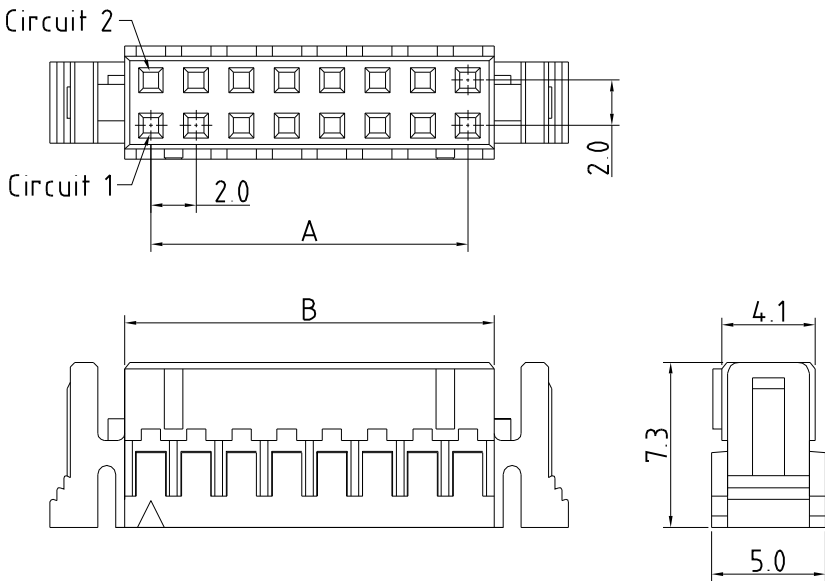
Features

Available Number of Circuits : 2x02 - 2x20

Material : Regular Thermoplastic 94V-0

Use with : IPCW205 Crimp Terminal

Mates with : IPCW205 Series K-Type Wafer



Dimension and Order Information

| Circuits | Part No. | DIM.(mm) | |
|----------|--------------|----------|-------|
| | | A | B |
| 4 | IPCW205H22*K | 2.00 | 4.30 |
| 6 | IPCW205H23*K | 4.00 | 6.30 |
| 8 | IPCW205H24*K | 6.00 | 8.30 |
| 10 | IPCW205H25*K | 8.00 | 10.30 |
| 12 | IPCW205H26*K | 10.00 | 12.30 |
| 14 | IPCW205H27*K | 12.00 | 14.30 |
| 16 | IPCW205H28*K | 14.00 | 16.30 |
| 18 | IPCW205H29*K | 16.00 | 18.30 |
| 20 | IPCW205H2A*K | 18.00 | 20.30 |
| 22 | IPCW205H2B*K | 20.00 | 22.30 |
| 24 | IPCW205H2C*K | 22.00 | 24.30 |
| 26 | IPCW205H2D*K | 24.00 | 26.30 |
| 28 | IPCW205H2E*K | 26.00 | 28.30 |
| 30 | IPCW205H2F*K | 28.00 | 30.30 |
| 32 | IPCW205H2G*K | 30.00 | 32.30 |
| 34 | IPCW205H2H*K | 32.00 | 34.30 |
| 36 | IPCW205H2I*K | 34.00 | 36.30 |
| 38 | IPCW205H2J*K | 36.00 | 38.30 |
| 40 | IPCW205H2K*K | 38.00 | 40.30 |

2.00mm Pitch Wire To Board Connector

Unit : mm

Wafer

Vertical

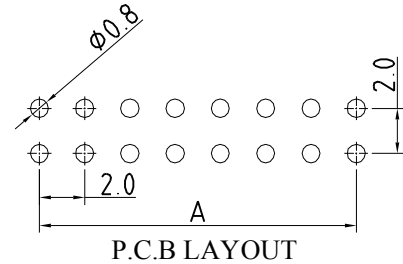
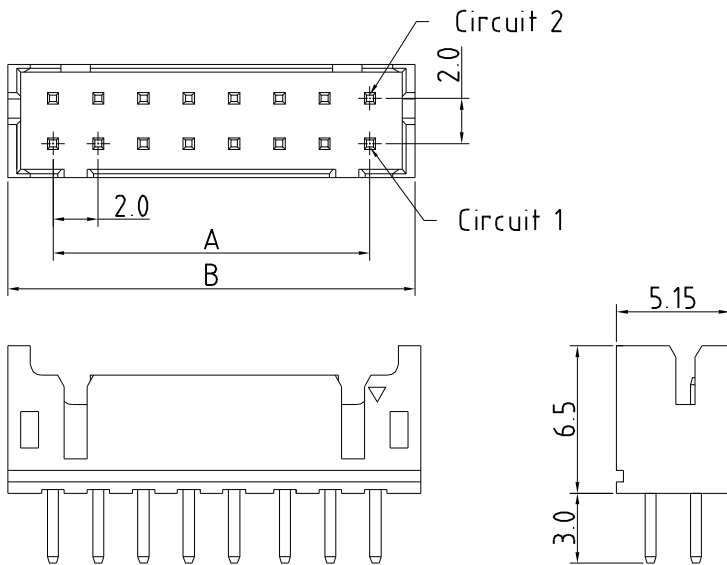
Features

Available Number of Circuits : 2x02 - 2x20

Material : Regular Thermoplastic 94V-0

Contact : 0.5mm(.020") Copper Alloy, Tin-plated

Mates with : IPCW205 Series Housing



Dimension and Order Information

| Circuits | Part No. | DIM.(mm) | |
|----------|--------------|----------|-------|
| | | A | B |
| 4 | IPCW205H22*V | 2.00 | 5.90 |
| 6 | IPCW205H23*V | 4.00 | 7.90 |
| 8 | IPCW205H24*V | 6.00 | 9.90 |
| 10 | IPCW205H25*V | 8.00 | 11.90 |
| 12 | IPCW205H26*V | 10.00 | 13.90 |
| 14 | IPCW205H27*V | 12.00 | 15.90 |
| 16 | IPCW205H28*V | 14.00 | 17.90 |
| 18 | IPCW205H29*V | 16.00 | 19.90 |
| 20 | IPCW205H2A*V | 18.00 | 21.90 |
| 22 | IPCW205H2B*V | 20.00 | 23.90 |
| 24 | IPCW205H2C*V | 22.00 | 25.90 |
| 26 | IPCW205H2D*V | 24.00 | 27.90 |
| 28 | IPCW205H2E*V | 26.00 | 29.90 |
| 30 | IPCW205H2F*V | 28.00 | 31.90 |
| 32 | IPCW205H2G*V | 30.00 | 33.90 |
| 34 | IPCW205H2H*V | 32.00 | 35.90 |
| 36 | IPCW205H2I*V | 34.00 | 37.90 |
| 38 | IPCW205H2J*V | 36.00 | 39.90 |
| 40 | IPCW205H2K*V | 38.00 | 41.90 |

Wafer

Right Angle

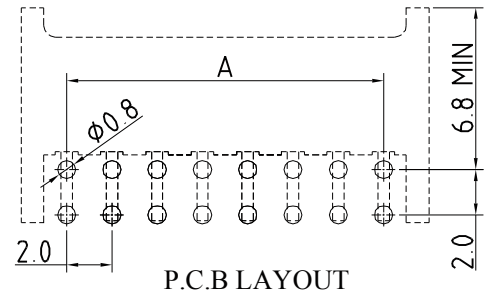
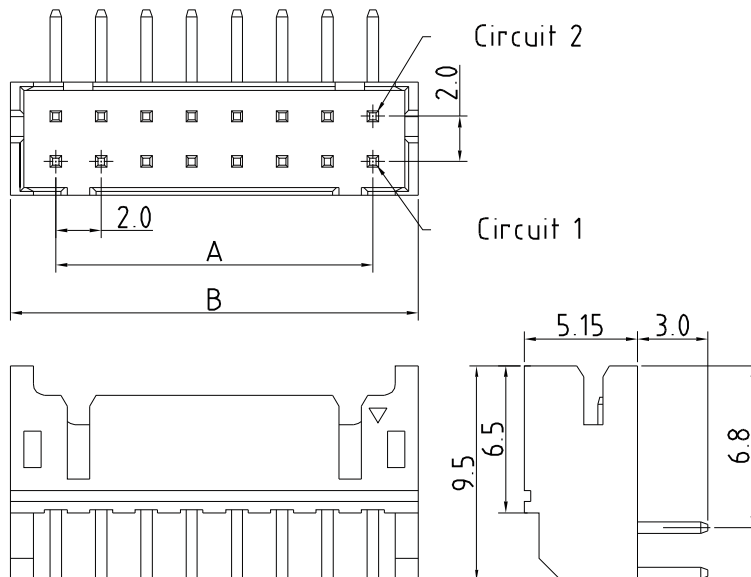
Features

Available Number of Circuits : 2x02 - 2x20

Material : Regular Thermoplastic 94V-0

Contact : 0.5mm(.020") Copper Alloy, Tin-plated

Mates with : IPCW205 Series Housing



Dimension and Order Information

| Circuits | Part No. | DIM.(mm) | |
|----------|--------------|----------|-------|
| | | A | B |
| 4 | IPCW205H22*R | 2.00 | 5.90 |
| 6 | IPCW205H23*R | 4.00 | 7.90 |
| 8 | IPCW205H24*R | 6.00 | 9.90 |
| 10 | IPCW205H25*R | 8.00 | 11.90 |
| 12 | IPCW205H26*R | 10.00 | 13.90 |
| 14 | IPCW205H27*R | 12.00 | 15.90 |
| 16 | IPCW205H28*R | 14.00 | 17.90 |
| 18 | IPCW205H29*R | 16.00 | 19.90 |
| 20 | IPCW205H2A*R | 18.00 | 21.90 |
| 22 | IPCW205H2B*R | 20.00 | 23.90 |
| 24 | IPCW205H2C*R | 22.00 | 25.90 |
| 26 | IPCW205H2D*R | 24.00 | 27.90 |
| 28 | IPCW205H2E*R | 26.00 | 29.90 |
| 30 | IPCW205H2F*R | 28.00 | 31.90 |
| 32 | IPCW205H2G*R | 30.00 | 33.90 |
| 34 | IPCW205H2H*R | 32.00 | 35.90 |
| 36 | IPCW205H2I*R | 34.00 | 37.90 |
| 38 | IPCW205H2J*R | 36.00 | 39.90 |
| 40 | IPCW205H2K*R | 38.00 | 41.90 |

2.00mm Pitch Wire To Board Connector

Unit : mm

Wafer Vertical B TYPE

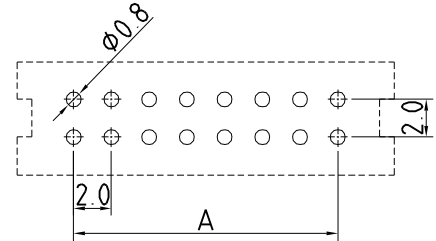
Features

Available Number of Circuits : 2x02 - 2x20

Material : High Temperature Thermoplastic 94V-0

Contact : 0.5mm(.020") Square Pin Copper Alloy, Tin-plated

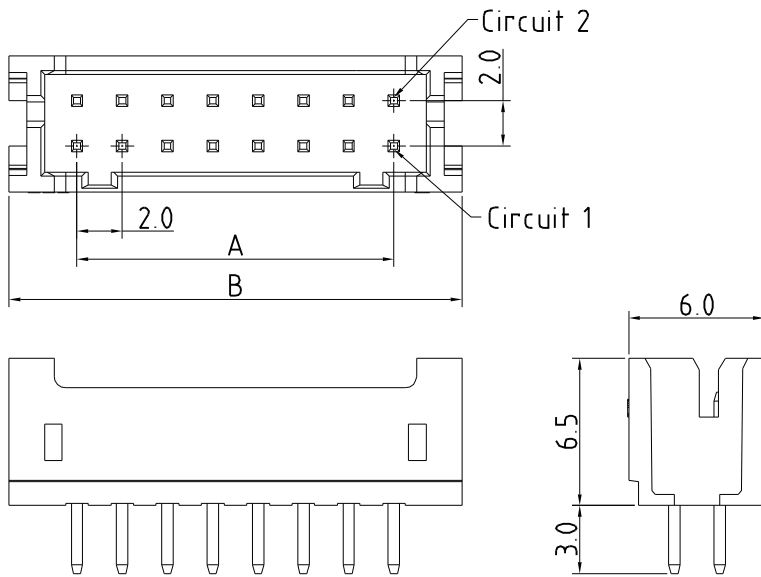
Mates with : IPCW205 Series Housing



P.C.B LAYOUT

Dimension and Order Information

| Circuits | Part No. | DIM.(mm) | |
|----------|--------------|----------|-------|
| | | A | B |
| 4 | IPCW205H22*B | 2.00 | 8.00 |
| 6 | IPCW205H23*B | 4.00 | 10.00 |
| 8 | IPCW205H24*B | 6.00 | 12.00 |
| 10 | IPCW205H25*B | 8.00 | 14.00 |
| 12 | IPCW205H26*B | 10.00 | 16.00 |
| 14 | IPCW205H27*B | 12.00 | 18.00 |
| 16 | IPCW205H28*B | 14.00 | 20.00 |
| 18 | IPCW205H29*B | 16.00 | 22.00 |
| 20 | IPCW205H2A*B | 18.00 | 24.00 |
| 22 | IPCW205H2B*B | 20.00 | 26.00 |
| 24 | IPCW205H2C*B | 22.00 | 28.00 |
| 26 | IPCW205H2D*B | 24.00 | 30.00 |
| 28 | IPCW205H2E*B | 26.00 | 32.00 |
| 30 | IPCW205H2F*B | 28.00 | 34.00 |
| 32 | IPCW205H2G*B | 30.00 | 36.00 |
| 34 | IPCW205H2H*B | 32.00 | 38.00 |
| 36 | IPCW205H2I*B | 34.00 | 40.00 |
| 38 | IPCW205H2J*B | 36.00 | 42.00 |
| 40 | IPCW205H2K*B | 38.00 | 44.00 |



Wafer Right Angle B TYPE

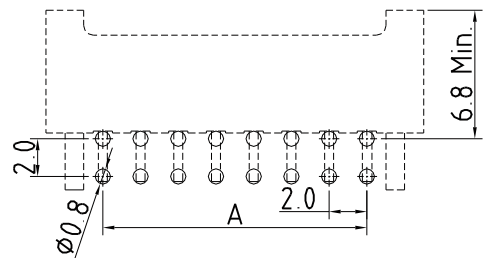
Features

Available Number of Circuits : 2x02 - 2x20

Material : High Temperature Thermoplastic 94V-0

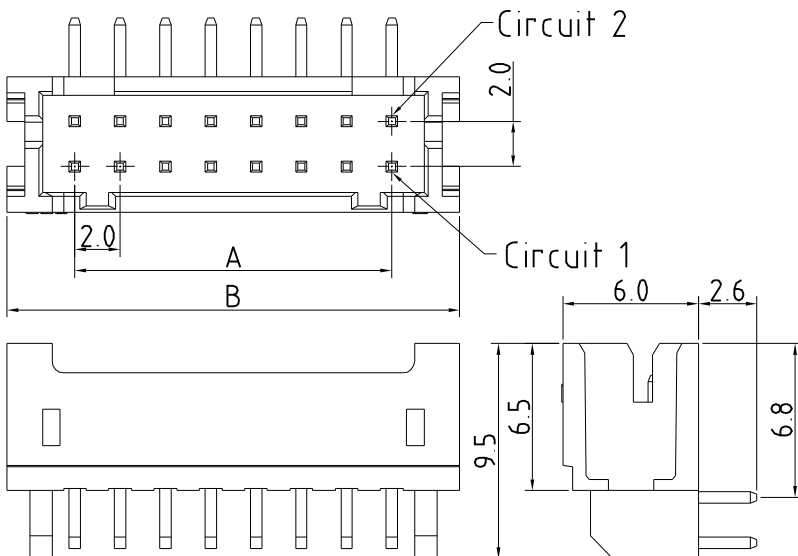
Contact : 0.5mm(.020") Copper Alloy, Tin-plated

Mates with : IPCW205 Series Housing



Dimension and Order Information

| Circuits | Part No. | DIM.(mm) | |
|----------|--------------|----------|-------|
| | | A | B |
| 4 | IPCW205H22*T | 2.00 | 8.00 |
| 6 | IPCW205H23*T | 4.00 | 10.00 |
| 8 | IPCW205H24*T | 6.00 | 12.00 |
| 10 | IPCW205H25*T | 8.00 | 14.00 |
| 12 | IPCW205H26*T | 10.00 | 16.00 |
| 14 | IPCW205H27*T | 12.00 | 18.00 |
| 16 | IPCW205H28*T | 14.00 | 20.00 |
| 18 | IPCW205H29*T | 16.00 | 22.00 |
| 20 | IPCW205H2A*T | 18.00 | 24.00 |
| 22 | IPCW205H2B*T | 20.00 | 26.00 |
| 24 | IPCW205H2C*T | 22.00 | 28.00 |
| 26 | IPCW205H2D*T | 24.00 | 30.00 |
| 28 | IPCW205H2E*T | 26.00 | 32.00 |
| 30 | IPCW205H2F*T | 28.00 | 34.00 |
| 32 | IPCW205H2G*T | 30.00 | 36.00 |
| 34 | IPCW205H2H*T | 32.00 | 38.00 |
| 36 | IPCW205H2I*T | 34.00 | 40.00 |
| 38 | IPCW205H2J*T | 36.00 | 42.00 |
| 40 | IPCW205H2K*T | 38.00 | 44.00 |



2.00mm Pitch Wire To Board Connector

Unit : mm

Wafer

Vertical KB TYPE

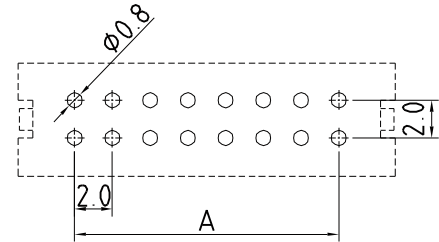
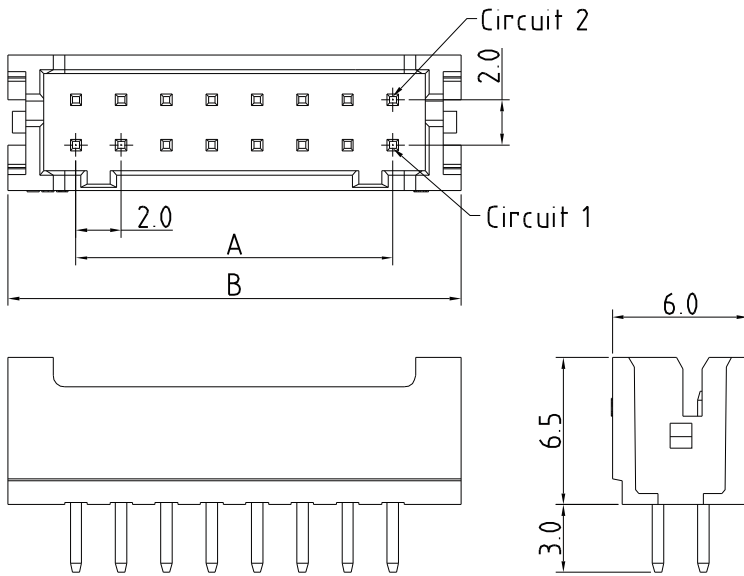
Features

Available Number of Circuits : 2x02 - 2x20

Material : High Temperature Thermoplastic 94V-0

Contact : 0.5mm(.020") Copper Alloy, Tin-plated

Mates with : IPCW205 Series K & KE-Type Housing



P.C.B LAYOUT

Dimension and Order Information

| Circuits | Part No. | DIM.(mm) | |
|----------|--------------|----------|-------|
| | | A | B |
| 4 | IPCW205H22*1 | 2.00 | 8.00 |
| 6 | IPCW205H23*1 | 4.00 | 10.00 |
| 8 | IPCW205H24*1 | 6.00 | 12.00 |
| 10 | IPCW205H25*1 | 8.00 | 14.00 |
| 12 | IPCW205H26*1 | 10.00 | 16.00 |
| 14 | IPCW205H27*1 | 12.00 | 18.00 |
| 16 | IPCW205H28*1 | 14.00 | 20.00 |
| 18 | IPCW205H29*1 | 16.00 | 22.00 |
| 20 | IPCW205H2A*1 | 18.00 | 24.00 |
| 22 | IPCW205H2B*1 | 20.00 | 26.00 |
| 24 | IPCW205H2C*1 | 22.00 | 28.00 |
| 26 | IPCW205H2D*1 | 24.00 | 30.00 |
| 28 | IPCW205H2E*1 | 26.00 | 32.00 |
| 30 | IPCW205H2F*1 | 28.00 | 34.00 |
| 32 | IPCW205H2G*1 | 30.00 | 36.00 |
| 34 | IPCW205H2H*1 | 32.00 | 38.00 |
| 36 | IPCW205H2I*1 | 34.00 | 40.00 |
| 38 | IPCW205H2J*1 | 36.00 | 42.00 |
| 40 | IPCW205H2K*1 | 38.00 | 44.00 |

Wafer

Right Angle KB TYPE

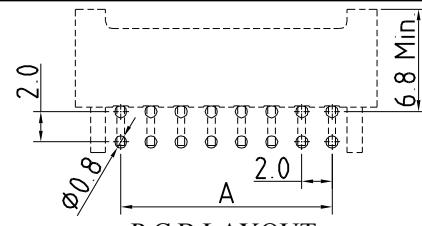
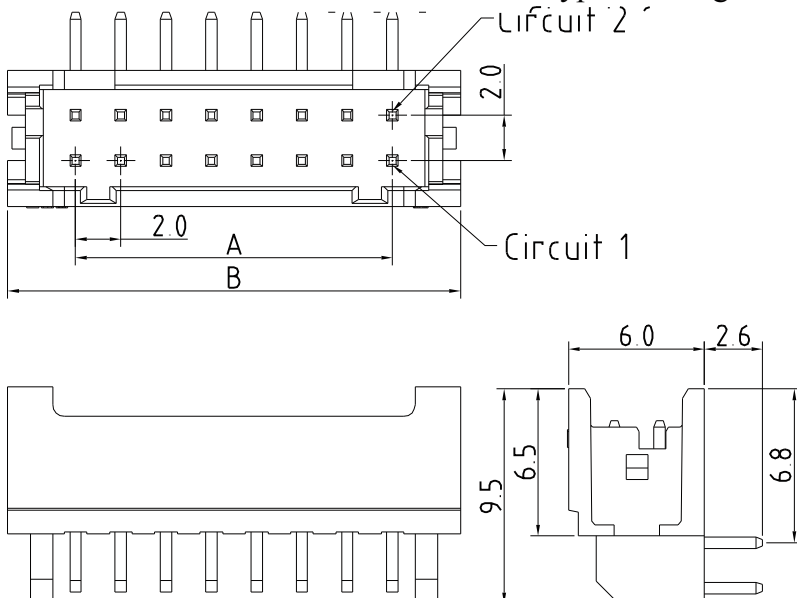
Features

Available Number of Circuits :

Material : High Temperature Thermoplastic 94V-0

Contact : 0.5mm(.020") Copper Alloy, Tin-plated

Mates with : IPCW205 Series K & KE-Type Housing



P.C.B LAYOUT

Dimension and Order Information

| Circuits | Part No. | DIM.(mm) | |
|----------|--------------|----------|-------|
| | | A | B |
| 4 | IPCW205H22*E | 2.00 | 8.00 |
| 6 | IPCW205H23*E | 4.00 | 10.00 |
| 8 | IPCW205H24*E | 6.00 | 12.00 |
| 10 | IPCW205H25*E | 8.00 | 14.00 |
| 12 | IPCW205H26*E | 10.00 | 16.00 |
| 14 | IPCW205H27*E | 12.00 | 18.00 |
| 16 | IPCW205H28*E | 14.00 | 20.00 |
| 18 | IPCW205H29*E | 16.00 | 22.00 |
| 20 | IPCW205H2A*E | 18.00 | 24.00 |
| 22 | IPCW205H2B*E | 20.00 | 26.00 |
| 24 | IPCW205H2C*E | 22.00 | 28.00 |
| 26 | IPCW205H2D*E | 24.00 | 30.00 |
| 28 | IPCW205H2E*E | 26.00 | 32.00 |
| 30 | IPCW205H2F*E | 28.00 | 34.00 |
| 32 | IPCW205H2G*E | 30.00 | 36.00 |
| 34 | IPCW205H2H*E | 32.00 | 38.00 |
| 36 | IPCW205H2I*E | 34.00 | 40.00 |
| 38 | IPCW205H2J*E | 36.00 | 42.00 |
| 40 | IPCW205H2K*E | 38.00 | 44.00 |

2.00mm Pitch Wire To Board Connector

Unit : mm

Wafer Right Angle KE TYPE

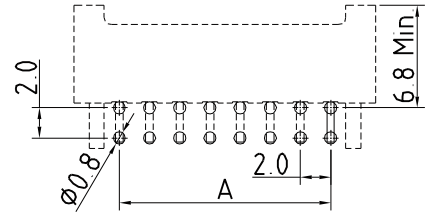
Features

Available Number of Circuits :

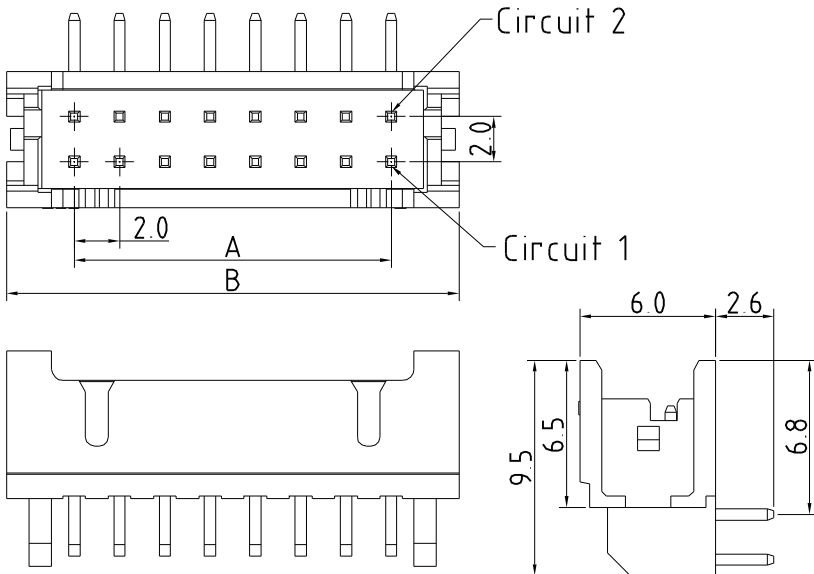
Material : High Temperature Thermoplastic 94V-0

Contact : 0.5mm(.020") Copper Alloy, Tin-plated

Mates with : IPCW205 Series KE-Type Housing



P.C.B LAYOUT



Dimension and Order Information

| Circuits | Part No. | DIM.(mm) | |
|----------|--------------|----------|-------|
| | | A | B |
| 4 | IPCW205H22*3 | 2.00 | 8.00 |
| 6 | IPCW205H23*3 | 4.00 | 10.00 |
| 8 | IPCW205H24*3 | 6.00 | 12.00 |
| 10 | IPCW205H25*3 | 8.00 | 14.00 |
| 12 | IPCW205H26*3 | 10.00 | 16.00 |
| 14 | IPCW205H27*3 | 12.00 | 18.00 |
| 16 | IPCW205H28*3 | 14.00 | 20.00 |
| 18 | IPCW205H29*3 | 16.00 | 22.00 |
| 20 | IPCW205H2A*3 | 18.00 | 24.00 |
| 22 | IPCW205H2B*3 | 20.00 | 26.00 |
| 24 | IPCW205H2C*3 | 22.00 | 28.00 |
| 26 | IPCW205H2D*3 | 24.00 | 30.00 |
| 28 | IPCW205H2E*3 | 26.00 | 32.00 |
| 30 | IPCW205H2F*3 | 28.00 | 34.00 |
| 32 | IPCW205H2G*3 | 30.00 | 36.00 |
| 34 | IPCW205H2H*3 | 32.00 | 38.00 |
| 36 | IPCW205H2I*3 | 34.00 | 40.00 |
| 38 | IPCW205H2J*3 | 36.00 | 42.00 |
| 40 | IPCW205H2K*3 | 38.00 | 44.00 |

Wafer Vertical SMT TYPE

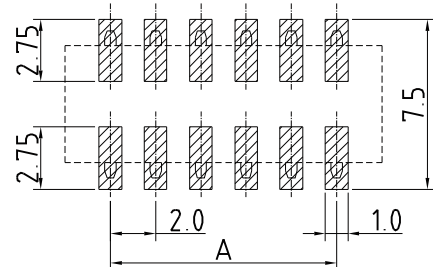
Features

Available Number of Circuits : 2x02 - 2x20

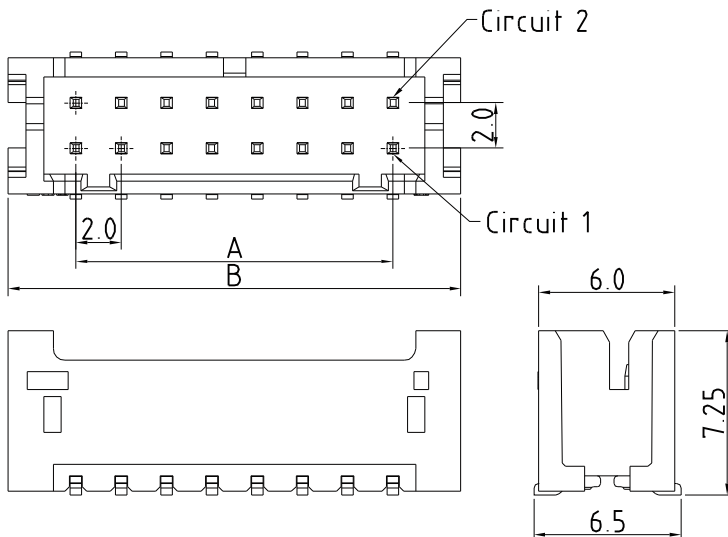
Material : High Temperature Thermoplastic 94V-0

Contact : 0.5mm(.020") Copper Alloy, Tin-plated

Mates with : IPCW205 Series Housing



P.C.B LAYOUT



Dimension and Order Information

| Circuits | Part No. | DIM.(mm) | |
|----------|--------------|----------|-------|
| | | A | B |
| 4 | IPCW205W22*S | 2.00 | 8.00 |
| 6 | IPCW205W23*S | 4.00 | 10.00 |
| 8 | IPCW205W24*S | 6.00 | 12.00 |
| 10 | IPCW205W25*S | 8.00 | 14.00 |
| 12 | IPCW205W26*S | 10.00 | 16.00 |
| 14 | IPCW205W27*S | 12.00 | 18.00 |
| 16 | IPCW205W28*S | 14.00 | 20.00 |
| 18 | IPCW205W29*S | 16.00 | 22.00 |
| 20 | IPCW205W2A*S | 18.00 | 24.00 |
| 22 | IPCW205W2B*S | 20.00 | 26.00 |
| 24 | IPCW205W2C*S | 22.00 | 28.00 |
| 26 | IPCW205W2D*S | 24.00 | 30.00 |
| 28 | IPCW205W2E*S | 26.00 | 32.00 |
| 30 | IPCW205W2F*S | 28.00 | 34.00 |
| 32 | IPCW205W2G*S | 30.00 | 36.00 |
| 34 | IPCW205W2H*S | 32.00 | 38.00 |
| 36 | IPCW205W2I*S | 34.00 | 40.00 |
| 38 | IPCW205W2J*S | 36.00 | 42.00 |
| 40 | IPCW205W2K*S | 38.00 | 44.00 |

2.00mm Pitch Wire To Board Connector

Unit : mm

Wafer Vertical SMT B TYPE

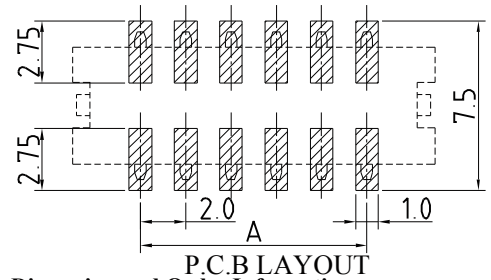
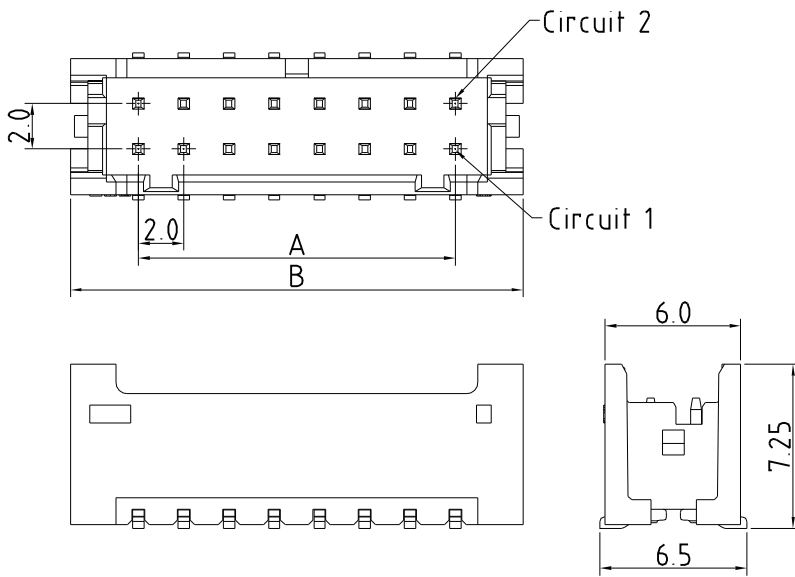
Features

Available Number of Circuits : 2x02 - 2x20

Material : High Temperature Thermoplastic 94V-0

Contact : 0.5mm(.020") Copper Alloy, Tin-plated

Mates with : IPCW205 Series K & KE-Type Housing



Dimension and Order Information

| Circuits | Part No. | DIM.(mm) | |
|----------|--------------|----------|-------|
| | | A | B |
| 4 | IPCW205W22*B | 2.00 | 8.00 |
| 6 | IPCW205W23*B | 4.00 | 10.00 |
| 8 | IPCW205W24*B | 6.00 | 12.00 |
| 10 | IPCW205W25*B | 8.00 | 14.00 |
| 12 | IPCW205W26*B | 10.00 | 16.00 |
| 14 | IPCW205W27*B | 12.00 | 18.00 |
| 16 | IPCW205W28*B | 14.00 | 20.00 |
| 18 | IPCW205W29*B | 16.00 | 22.00 |
| 20 | IPCW205W2A*B | 18.00 | 24.00 |
| 22 | IPCW205W2B*B | 20.00 | 26.00 |
| 24 | IPCW205W2C*B | 22.00 | 28.00 |
| 26 | IPCW205W2D*B | 24.00 | 30.00 |
| 28 | IPCW205W2E*B | 26.00 | 32.00 |
| 30 | IPCW205W2F*B | 28.00 | 34.00 |
| 32 | IPCW205W2G*B | 30.00 | 36.00 |
| 34 | IPCW205W2H*B | 32.00 | 38.00 |
| 36 | IPCW205W2I*B | 34.00 | 40.00 |
| 38 | IPCW205W2J*B | 36.00 | 42.00 |
| 40 | IPCW205W2K*B | 38.00 | 44.00 |

Wafer Vertical SMT C TYPE

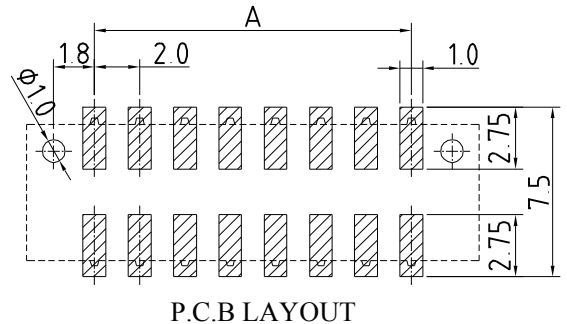
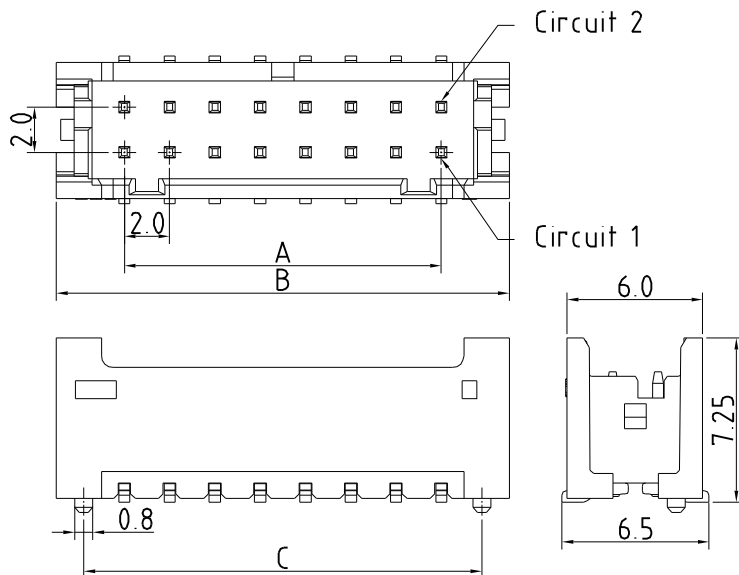
Features

Available Number of Circuits : 2x02 - 2x20

Material : High Temperature Thermoplastic 94V-0

Contact : 0.5mm(.020") Copper Alloy, Tin-plated

Mates with : IPCW205 Series K & KE-Type Housing



Dimension and Order Information

| Circuits | Part No. | DIM.(mm) | | |
|----------|--------------|----------|-------|-------|
| | | A | B | C |
| 4 | IPCW205W22*J | 2.00 | 8.00 | 5.60 |
| 6 | IPCW205W23*J | 4.00 | 10.00 | 7.60 |
| 8 | IPCW205W24*J | 6.00 | 12.00 | 9.60 |
| 10 | IPCW205W25*J | 8.00 | 14.00 | 11.60 |
| 12 | IPCW205W26*J | 10.00 | 16.00 | 13.60 |
| 14 | IPCW205W27*J | 12.00 | 18.00 | 15.60 |
| 16 | IPCW205W28*J | 14.00 | 20.00 | 17.60 |
| 18 | IPCW205W29*J | 16.00 | 22.00 | 19.60 |
| 20 | IPCW205W2A*J | 18.00 | 24.00 | 21.60 |
| 22 | IPCW205W2B*J | 20.00 | 26.00 | 23.60 |
| 24 | IPCW205W2C*J | 22.00 | 28.00 | 25.60 |
| 26 | IPCW205W2D*J | 24.00 | 30.00 | 27.60 |
| 28 | IPCW205W2E*J | 26.00 | 32.00 | 29.60 |
| 30 | IPCW205W2F*J | 28.00 | 34.00 | 31.60 |
| 32 | IPCW205W2G*J | 30.00 | 36.00 | 33.60 |
| 34 | IPCW205W2H*J | 32.00 | 38.00 | 35.60 |
| 36 | IPCW205W2I*J | 34.00 | 40.00 | 37.60 |
| 38 | IPCW205W2J*J | 36.00 | 42.00 | 39.60 |
| 40 | IPCW205W2K*J | 38.00 | 44.00 | 41.60 |

X-ON Electronics

Largest Supplier of Electrical and Electronic Components

Click to view similar products for [Headers & Wire Housings](#) category:

Click to view products by [INCP](#) manufacturer:

Other Similar products are found below :

[57102-F02-18ULF](#) [58102-G61-06LF](#) [0009485154](#) [009176003701906](#) [0050291907](#) [00-9021-0611-00-339](#) [02.125.8002.8](#) [609-3404](#) [61062-3](#)
[622-0430](#) [622-3653LF](#) [63453-116](#) [636-1030](#) [636-1427](#) [636-3427](#) [636-4007](#) [641938-9](#) [644827-2](#) [65495-038](#) [65692-001LF](#) [65781-018](#)
[65781-047](#) [65817-010LF](#) [65817-015LF](#) [66207-023LF](#) [67016-026LF](#) [67095-007LF](#) [68631-112](#) [68645-018](#) [68648-049](#) [699319-000](#)
[70.362.1628.0](#) [70-4210](#) [70-4226B](#) [70-4853B](#) [707-5020](#) [707-5028](#) [71.350.2428.0](#) [71961-016LF](#) [733-134](#) [754199-000](#) [760-3052](#) [787-8014-00](#)
[FCN-367T-T012/H](#) [80.063.4001.1](#) [800-90-001-10-001000](#) [800-90-010-10-002000](#) [801-43-002-10-013000](#) [801-43-006-10-002000](#)
[803-41-018-10-001000](#)