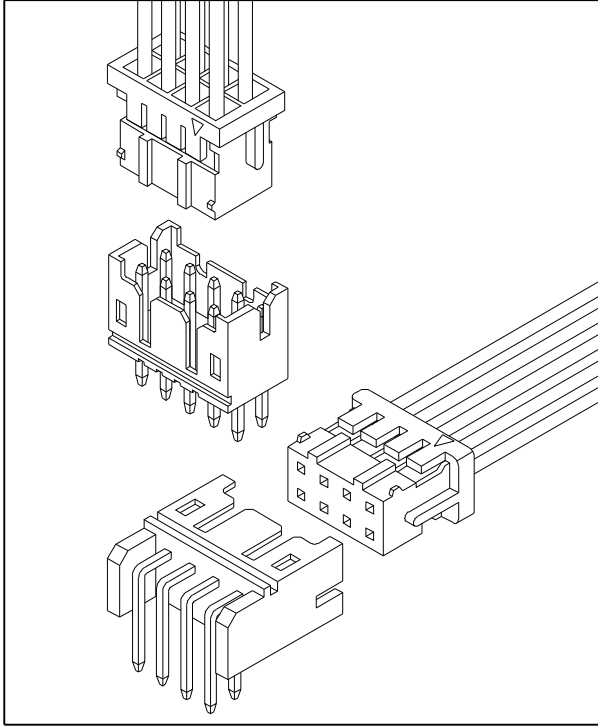


2.00mm Pitch Wire To Board Connector

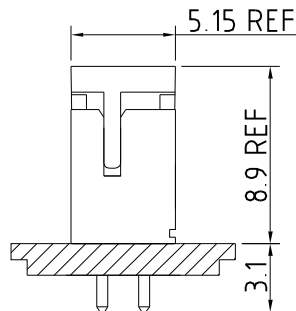


Specification

| | |
|-----------------------------------|----------------|
| Circuits | 2x02 - 2x20 |
| Pitch | 2.00mm |
| Current Rating | 3A AC/DC |
| Voltage Rating | 100V AC/DC |
| Contact Resistance | 30mΩ MAX. |
| Withstand Voltage | 500V AC/minute |
| Insulation Resistance | 500MΩ MIN. |
| Temperature Range | -25°C - +85°C |
| Applicable Wire Range | AWG #22 - #28 |
| Applicable P.C.B Thickness | 1.6mm |
| Applicable P.C.B Hole Dia. | Ø0.8mm ± 0.05 |

Assembly Layout

Vertical Type



Right Angle Type



IPCW207 * ** * * * * *
 ① ② ③ ④ ⑤ ⑥ ⑦ ⑧

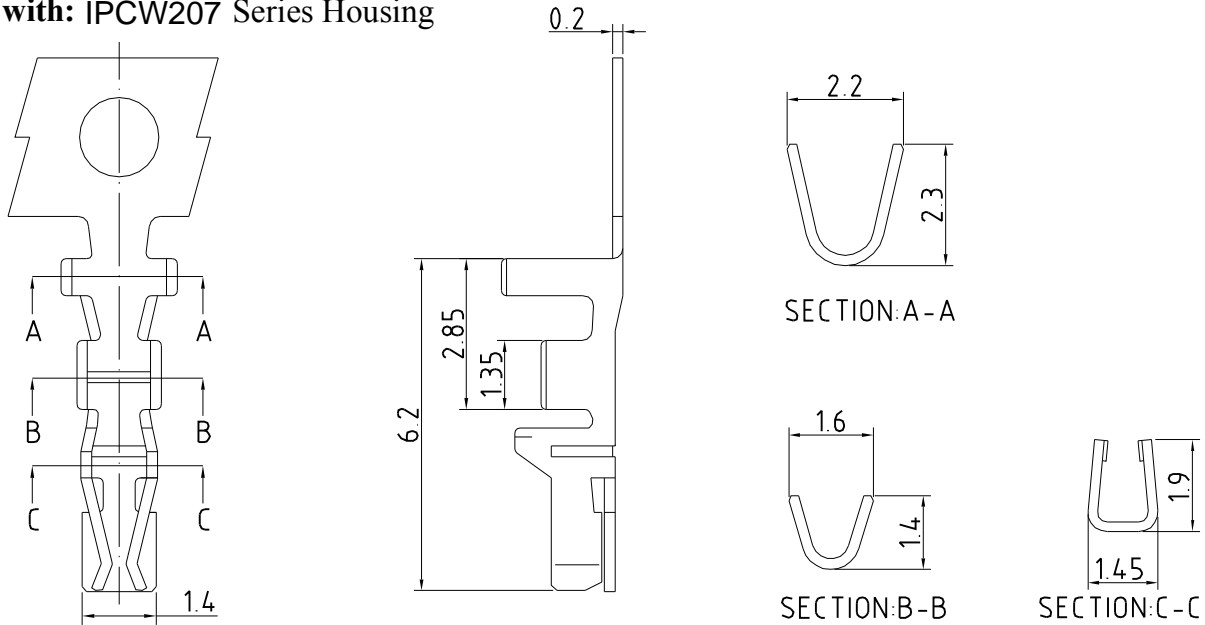
- ① Series Type. IPCW207
- ② Connector Type.
T: Terminal
W: Wafer
H: Housing
- ③ Pin code.
Terminal: Serial number
Wafer or Housing: x row x pin number of row
- ④ Material code.
- ⑤ Appearance code.
- ⑥ Internal code
- ⑦ Company code.
- ⑧ Other code.
Housing
K: KE-TYPE
Wafer
V: Vertical
R: Right Angle

Unit : mm

Terminal

Features

Use with: IPCW207 Series Housing



CONTACT INFORMATION

| Part No. | Wire Range | Insulation O.D. | Material | Finish | Q'ty/Reel |
|-------------|-------------|-----------------|-----------------|----------|------------|
| IPCW207T01* | AWG #22-#28 | 1.45mm(MAX.) | Phosphor bronze | See note | 10,000 pcs |

Housing

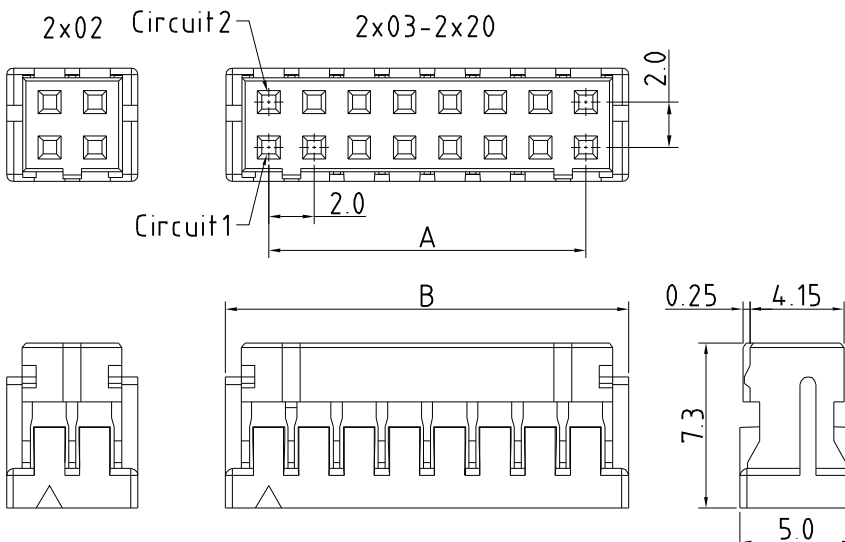
Features

Available Number of Circuits: 2x02 - 2x20

Material: Regular Thermoplastic 94V-0

Use with: IPCW207 Crimp Terminal

Mates with : IPCW207 Series Wafer



Dimension and Order Information

| Circuits | Part No. | DIM.(mm) | |
|----------|-------------|----------|-------|
| | | A | B |
| 4 | IPCW207H22* | 2.00 | 5.80 |
| 6 | IPCW207H23* | 4.00 | 7.80 |
| 8 | IPCW207H24* | 6.00 | 9.80 |
| 10 | IPCW207H25* | 8.00 | 11.80 |
| 12 | IPCW207H26* | 10.00 | 13.80 |
| 14 | IPCW207H27* | 12.00 | 15.80 |
| 16 | IPCW207H28* | 14.00 | 17.80 |
| 18 | IPCW207H29* | 16.00 | 19.80 |
| 20 | IPCW207H2A* | 18.00 | 21.80 |
| 22 | IPCW207HB7* | 20.00 | 23.80 |
| 24 | IPCW207H2C* | 22.00 | 25.80 |
| 26 | IPCW207H2D* | 24.00 | 27.80 |
| 28 | IPCW207H2E* | 26.00 | 29.80 |
| 30 | IPCW207H2F* | 28.00 | 31.80 |
| 32 | IPCW207H2G* | 30.00 | 33.80 |
| 34 | IPCW207H2H* | 32.00 | 35.80 |
| 36 | IPCW207H2I* | 34.00 | 37.80 |
| 38 | IPCW207H2J* | 36.00 | 39.80 |
| 40 | IPCW207H2K* | 38.00 | 41.80 |

Unit : mm

Housing KE-TYPE

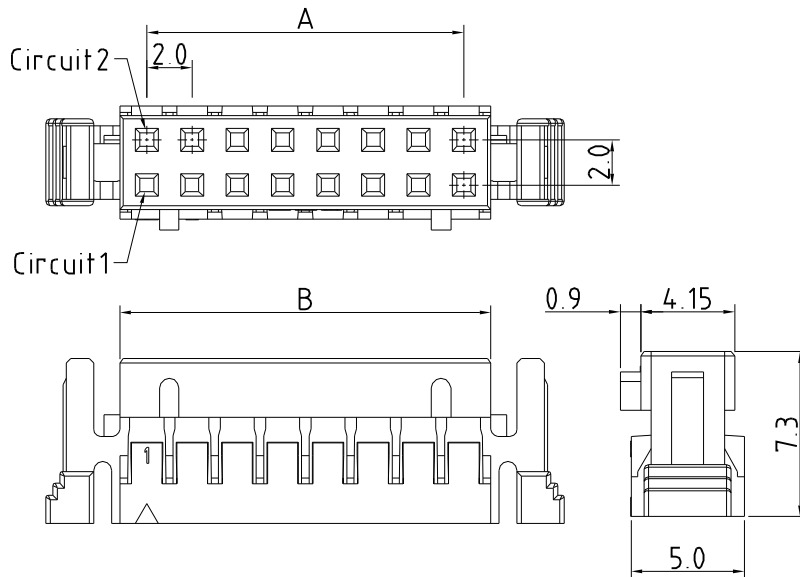
Features

Available Number of Circuits: 2x02 - 2x20

Material: Regular Thermoplastic 94V-0

Use with: IPCW207 Crimp Terminal

Mates with : IPCW205Series KE Type Wafer



Dimension and Order Information

| Circuits | Part No. | DIM.(mm) | |
|----------|--------------|----------|-------|
| | | A | B |
| 4 | IPCW207H22*K | 2.00 | 4.40 |
| 6 | IPCW207H23*K | 4.00 | 6.40 |
| 8 | IPCW207H24*K | 6.00 | 8.40 |
| 10 | IPCW207H25*K | 8.00 | 10.40 |
| 12 | IPCW207H26*K | 10.00 | 12.40 |
| 14 | IPCW207H27*K | 12.00 | 14.40 |
| 16 | IPCW207H28*K | 14.00 | 16.40 |
| 18 | IPCW207H29*K | 16.00 | 18.40 |
| 20 | IPCW207H2A*K | 18.00 | 20.40 |
| 22 | IPCW207H2B*K | 20.00 | 22.40 |
| 24 | IPCW207H2C*K | 22.00 | 24.40 |
| 26 | IPCW207H2D*K | 24.00 | 26.40 |
| 28 | IPCW207H2E*K | 26.00 | 28.40 |
| 30 | IPCW207H2F*K | 28.00 | 30.40 |
| 32 | IPCW207H2G*K | 30.00 | 32.40 |
| 34 | IPCW207H2H*K | 32.00 | 34.40 |
| 36 | IPCW207H2I*K | 34.00 | 36.40 |
| 38 | IPCW207H2J*K | 36.00 | 38.40 |
| 40 | IPCW207H2K*K | 38.00 | 40.40 |

Unit : mm

Wafer Vertical

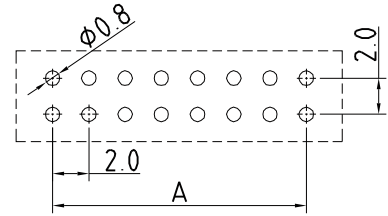
Features

Available Number of Circuits : 2x02 - 2x20

Material : Regular Thermoplastic 94V-0

Contact: 0.5mm(.020") Square Pin Copper Alloy, Tin-plated

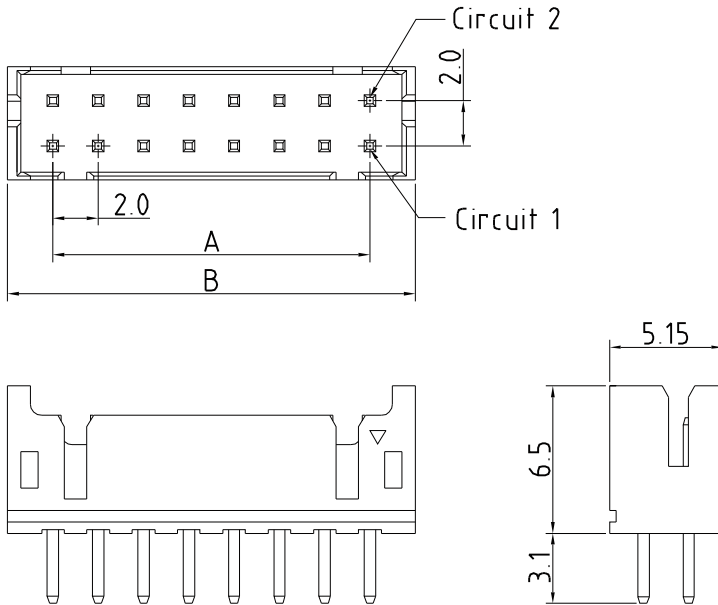
Mates with : IPCW207 Series Housing



P.C.B LAYOUT

Dimension and Order Information

| Circuits | Part No. | DIM.(mm) | |
|----------|--------------|----------|-------|
| | | A | B |
| 4 | IPCW207W22*V | 2.00 | 6.00 |
| 6 | IPCW207W23*V | 4.00 | 8.00 |
| 8 | IPCW207W24*V | 6.00 | 10.00 |
| 10 | IPCW207W25*V | 8.00 | 12.00 |
| 12 | IPCW207W26*V | 10.00 | 14.00 |
| 14 | IPCW207W27*V | 12.00 | 16.00 |
| 16 | IPCW207W28*V | 14.00 | 18.00 |
| 18 | IPCW207W29*V | 16.00 | 20.00 |
| 20 | IPCW205W2A*V | 18.00 | 22.00 |
| 22 | IPCW207W2B*V | 20.00 | 24.00 |
| 24 | IPCW207W2C*V | 22.00 | 26.00 |
| 26 | IPCW207W2D*V | 24.00 | 28.00 |
| 28 | IPCW207W2E*V | 26.00 | 30.00 |
| 30 | IPCW207W2F*V | 28.00 | 32.00 |
| 32 | IPCW207W2G*V | 30.00 | 34.00 |
| 34 | IPCW207W2H*V | 32.00 | 36.00 |
| 36 | IPCW207W2I*V | 34.00 | 38.00 |
| 38 | IPCW207W2J*V | 36.00 | 40.00 |
| 40 | IPCW207W2K*V | 38.00 | 42.00 |



Wafer Right Angle

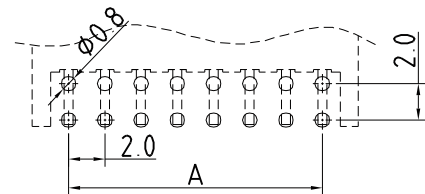
Features

Available Number of Circuits : 2x02 - 2x16

Material : Regular Thermoplastic 94V-0

Contact: 0.5mm(.020") Square Pin Copper Alloy, Tin-plated

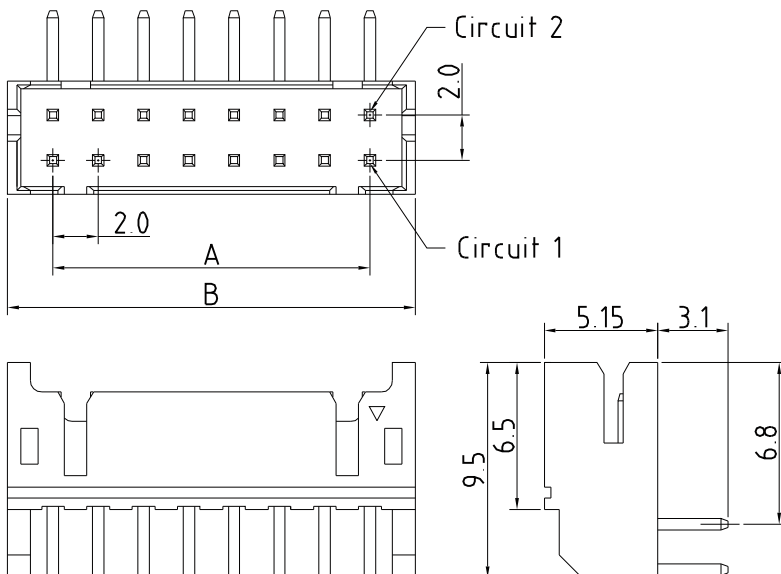
Mates with : IPCW207 Series Housing



P.C.B LAYOUT

Dimension and Order Information

| Circuits | Part No. | DIM.(mm) | |
|----------|--------------|----------|-------|
| | | A | B |
| 4 | IPCW207W22*R | 2.00 | 6.00 |
| 6 | IPCW207W23*R | 4.00 | 8.00 |
| 8 | IPCW207W24*R | 6.00 | 10.00 |
| 10 | IPCW207W25*R | 8.00 | 12.00 |
| 12 | IPCW207W26*R | 10.00 | 14.00 |
| 14 | IPCW207W27*R | 12.00 | 16.00 |
| 16 | IPCW207W28*R | 14.00 | 18.00 |
| 18 | IPCW207W29*R | 16.00 | 20.00 |
| 20 | IPCW205W2A*R | 18.00 | 22.00 |
| 22 | IPCW207W2B*R | 20.00 | 24.00 |
| 24 | IPCW207W2C*R | 22.00 | 26.00 |
| 26 | IPCW207W2D*R | 24.00 | 28.00 |
| 28 | IPCW207W2E*R | 26.00 | 30.00 |
| 30 | IPCW207W2F*R | 28.00 | 32.00 |
| 32 | IPCW207W2G*R | 30.00 | 34.00 |



X-ON Electronics

Largest Supplier of Electrical and Electronic Components

Click to view similar products for [Headers & Wire Housings](#) category:

Click to view products by [INCP](#) manufacturer:

Other Similar products are found below :

[57102-F02-18ULF](#) [58102-G61-06LF](#) [0009485154](#) [009176003701906](#) [0050291907](#) [00-9021-0611-00-339](#) [02.125.8002.8](#) [609-3404](#) [61062-3](#)
[622-0430](#) [622-3653LF](#) [63453-116](#) [636-1030](#) [636-1427](#) [636-3427](#) [636-4007](#) [641938-9](#) [644827-2](#) [65495-038](#) [65692-001LF](#) [65781-018](#)
[65781-047](#) [65817-010LF](#) [65817-015LF](#) [66207-023LF](#) [67016-026LF](#) [67095-007LF](#) [68631-112](#) [68645-018](#) [68648-049](#) [699319-000](#)
[70.362.1628.0](#) [70-4210](#) [70-4226B](#) [70-4853B](#) [707-5020](#) [707-5028](#) [71.350.2428.0](#) [71961-016LF](#) [733-134](#) [754199-000](#) [760-3052](#) [787-8014-00](#)
[FCN-367T-T012/H](#) [80.063.4001.1](#) [800-90-001-10-001000](#) [800-90-010-10-002000](#) [801-43-002-10-013000](#) [801-43-006-10-002000](#)
[803-41-018-10-001000](#)