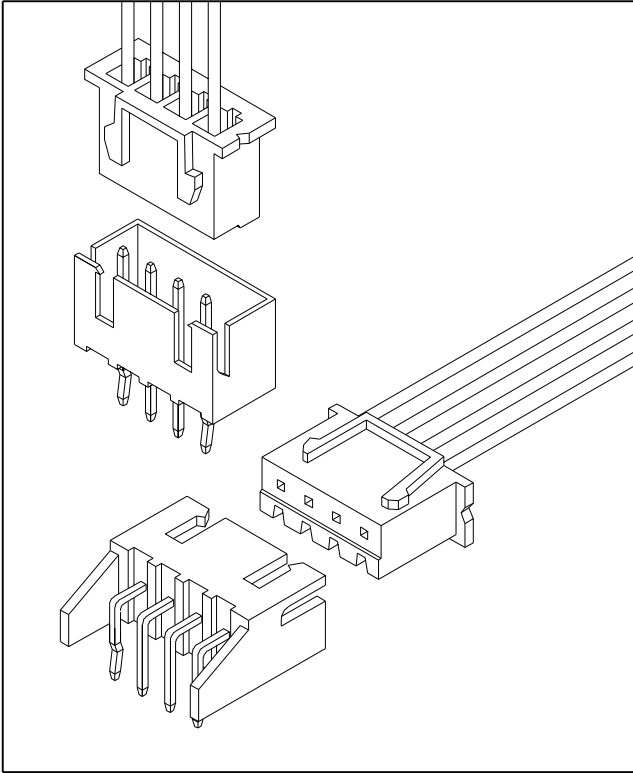


## 2.50mm Pitch Wire To Board Connector

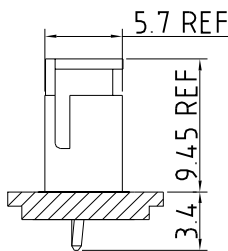
### Specification

|                                   |                 |
|-----------------------------------|-----------------|
| <b>Circuits</b>                   | 02-15 , 20      |
| <b>Pitch</b>                      | 2.50mm          |
| <b>Current Rating</b>             | 3A AC/DC        |
| <b>Voltage Rating</b>             | 250V AC/DC      |
| <b>Contact Resistance</b>         | 10mΩ MAX.       |
| <b>Withstand Voltage</b>          | 8,00V AC/minute |
| <b>Insulation Resistance</b>      | 1,000MΩ MIN.    |
| <b>Temperature Range</b>          | -25°C - +85°C   |
| <b>Applicable Wire Range</b>      | AWG #22 - #28   |
| <b>Applicable P.C.B Thickness</b> | 1.6mm           |
| <b>Applicable P.C.B Hole Dia.</b> | Ø 1.0mm ± 0.05  |

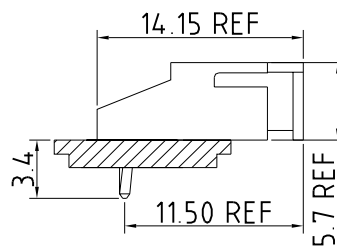


### Assembly Layout

Vertical Type



Right Angle Type



IPCW250 \* \*\* \* \* \* \* \*  
 ① ② ③ ④ ⑤ ⑥ ⑦ ⑧

- ① Series Type. IPCW250
- ② Connector Type.  
T: Terminal  
W: Wafer  
H: Housing
- ③ Pin code.  
Row  
Pin number of row

- ④ Material code.
- ⑤ Appearance code.
- ⑥ Internal code
- ⑦ Company code.

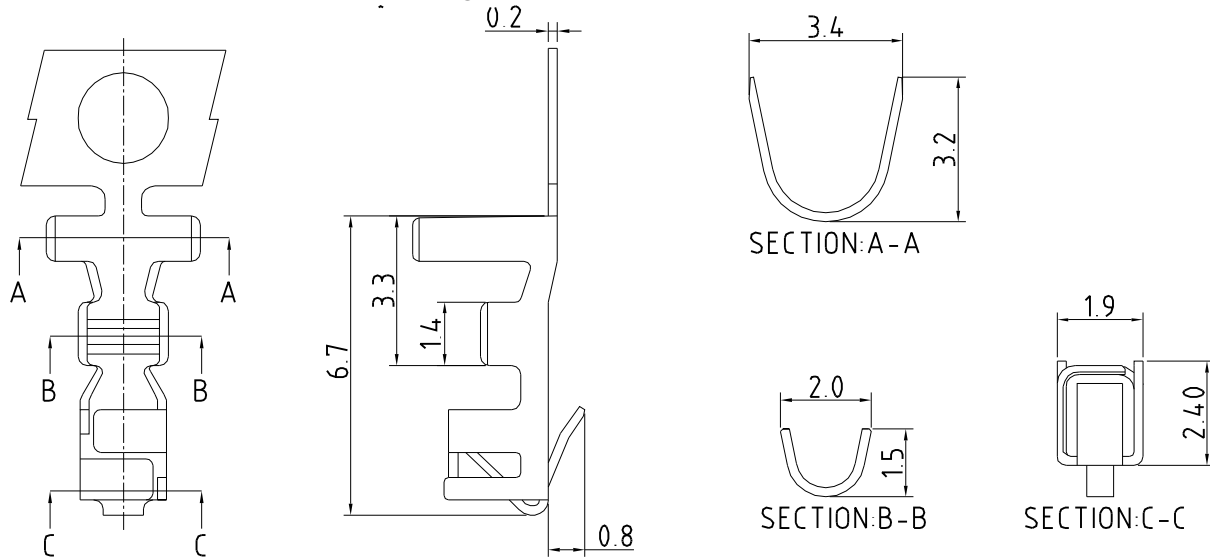
- ⑧ Other code.  
Wafer  
V: Vertical Type  
R: Right Angle  
S: Vertical SMT TYPE (02 - 08)  
T: Vertical SMT TYPE (09 - 16)  
M: Right Angle SMT TYPE

**Unit : mm**

### Terminal

#### Features

Use with: IPCW250 Series Housing



#### CONTACT INFORMATION

| Part No.    | Wire Range  | Insulation O.D. | Material        | Finish   | Q'ty/Reel |
|-------------|-------------|-----------------|-----------------|----------|-----------|
| IPCW250T01* | AWG #22-#28 | 1.90mm(MAX.)    | Brass           | See note | 8,000 pcs |
| IPCW250T02* |             |                 | Phosphor bronze |          |           |

Note:

For this product in a different specification please contact INCP for more information

### Housing

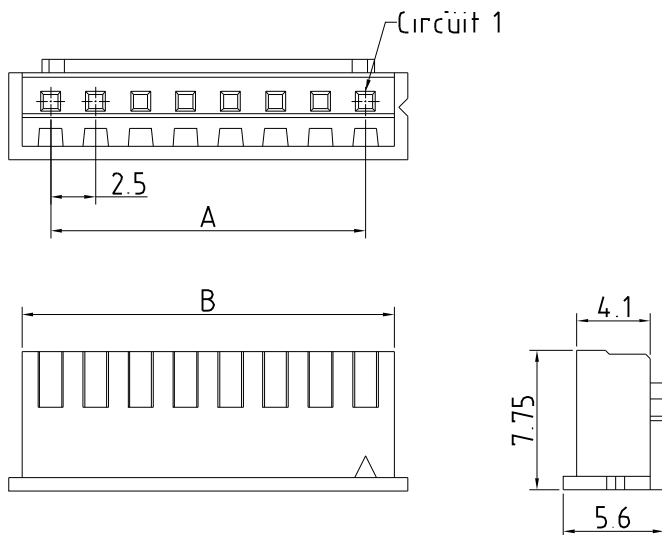
#### Features

Available Number of Circuits: 02-15 , 20

Material: Regular Thermoplastic 94V-0

Use with: IPCW250 Crimp Terminal

Mates with : IPCW250 Series Wafer



#### Dimension and Order Information

| Circuits | Part No.    | DIM.(mm) |       |
|----------|-------------|----------|-------|
|          |             | A        | B     |
| 2        | IPCW250H12* | 2.50     | 5.70  |
| 3        | IPCW250H13* | 5.00     | 8.20  |
| 4        | IPCW250H14* | 7.50     | 10.70 |
| 5        | IPCW250H15* | 10.00    | 13.20 |
| 6        | IPCW250H16* | 12.50    | 15.70 |
| 7        | IPCW250H17* | 15.00    | 18.20 |
| 8        | IPCW250H18* | 17.50    | 20.70 |
| 9        | IPCW250H19* | 20.00    | 23.20 |
| 10       | IPCW250H1A* | 22.50    | 25.70 |
| 11       | IPCW250H1B* | 25.00    | 28.20 |
| 12       | IPCW250H1C* | 27.50    | 30.70 |
| 13       | IPCW250H1D* | 30.00    | 33.20 |
| 14       | IPCW250H1E* | 32.50    | 35.70 |
| 15       | IPCW250H1F* | 35.00    | 38.20 |
| 20       | IPCW250H1K* | 47.50    | 50.70 |

## 2.50mm Pitch Wire To Board Connector

Unit : mm

### Wafer

Vertical

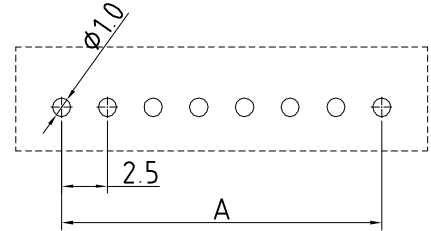
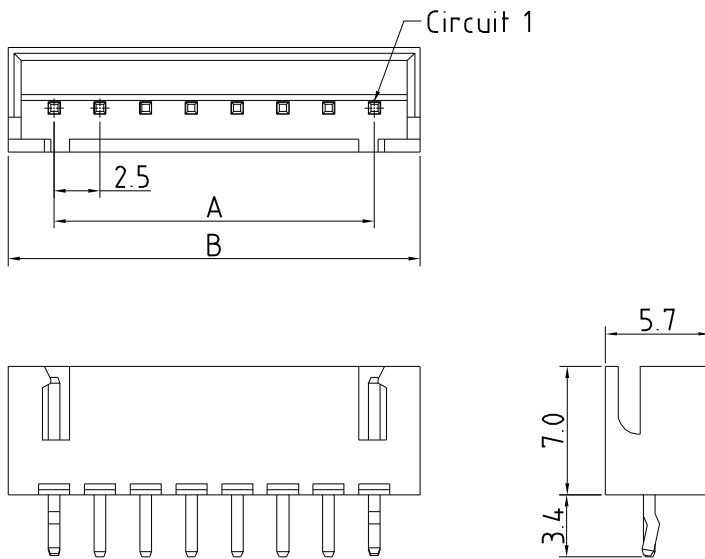
#### Features

Available Number of Circuits : 02-15 , 20

Material : Regular Thermoplastic 94V-0

Contact: 0.64mm(.025") Copper Alloy, Tin-plated

Mates with : IPCW250 Series Housing



P.C.B LAYOUT

#### Dimension and Order Information

| Circuits | Part No.     | DIM.(mm) |       |
|----------|--------------|----------|-------|
|          |              | A        | B     |
| 2        | IPCW250H12*V | 2.50     | 7.50  |
| 3        | IPCW250H13*V | 5.00     | 10.00 |
| 4        | IPCW250H14*V | 7.50     | 12.50 |
| 5        | IPCW250H15*V | 10.00    | 15.00 |
| 6        | IPCW250H16*V | 12.50    | 17.50 |
| 7        | IPCW250H17*V | 15.00    | 20.00 |
| 8        | IPCW250H18*V | 17.50    | 22.50 |
| 9        | IPCW250H19*V | 20.00    | 25.00 |
| 10       | IPCW250H1A*V | 22.50    | 27.50 |
| 11       | IPCW250H1B*V | 25.00    | 30.00 |
| 12       | IPCW250H1C*V | 27.50    | 32.50 |
| 13       | IPCW250H1D*V | 30.00    | 35.00 |
| 14       | IPCW250H1E*V | 32.50    | 37.50 |
| 15       | IPCW250H1F*V | 35.00    | 40.00 |
| 20       | IPCW250H1K*V | 47.50    | 52.50 |

### Wafer

Right Angle

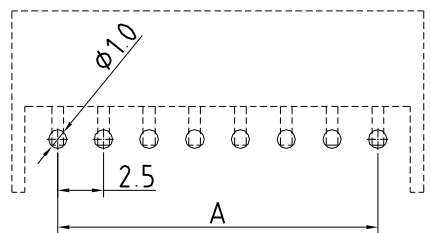
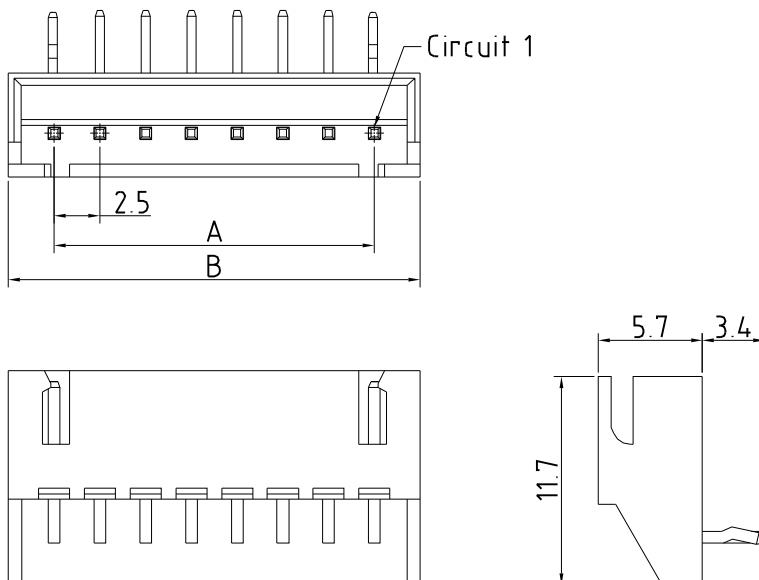
#### Features

Available Number of Circuits : 02-15 , 20

Material : Regular Thermoplastic 94V-0

Contact: 0.64mm(.025") Copper Alloy, Tin-plated

Mates with : IPCW250 Series Housing



P.C.B LAYOUT

#### Dimension and Order Information

| Circuits | Part No.     | DIM.(mm) |       |
|----------|--------------|----------|-------|
|          |              | A        | B     |
| 2        | IPCW250H12*R | 2.50     | 7.50  |
| 3        | IPCW250H13*R | 5.00     | 10.00 |
| 4        | IPCW250H14*R | 7.50     | 12.50 |
| 5        | IPCW250H15*R | 10.00    | 15.00 |
| 6        | IPCW250H16*R | 12.50    | 17.50 |
| 7        | IPCW250H17*R | 15.00    | 20.00 |
| 8        | IPCW250H18*R | 17.50    | 22.50 |
| 9        | IPCW250H19*R | 20.00    | 25.00 |
| 10       | IPCW250H1A*R | 22.50    | 27.50 |
| 11       | IPCW250H1B*R | 25.00    | 30.00 |
| 12       | IPCW250H1C*R | 27.50    | 32.50 |
| 13       | IPCW250H1D*R | 30.00    | 35.00 |
| 14       | IPCW250H1E*R | 32.50    | 37.50 |
| 15       | IPCW250H1F*R | 35.00    | 40.00 |
| 20       | IPCW250H1K*R | 47.50    | 52.50 |

## X-ON Electronics

Largest Supplier of Electrical and Electronic Components

*Click to view similar products for [Headers & Wire Housings](#) category:*

*Click to view products by [INCP](#) manufacturer:*

Other Similar products are found below :

[57102-F02-18ULF](#) [58102-G61-06LF](#) [0009485154](#) [009176003701906](#) [0050291907](#) [00-9021-0611-00-339](#) [02.125.8002.8](#) [609-3404](#) [61062-3](#)  
[622-0430](#) [622-3653LF](#) [63453-116](#) [636-1030](#) [636-1427](#) [636-3427](#) [636-4007](#) [641938-9](#) [644827-2](#) [65495-038](#) [65692-001LF](#) [65781-018](#)  
[65781-047](#) [65817-010LF](#) [65817-015LF](#) [66207-023LF](#) [67016-026LF](#) [67095-007LF](#) [68631-112](#) [68645-018](#) [68648-049](#) [699319-000](#)  
[70.362.1628.0](#) [70-4210](#) [70-4226B](#) [70-4853B](#) [707-5020](#) [707-5028](#) [71.350.2428.0](#) [71961-016LF](#) [733-134](#) [754199-000](#) [760-3052](#) [787-8014-00](#)  
[FCN-367T-T012/H](#) [80.063.4001.1](#) [800-90-001-10-001000](#) [800-90-010-10-002000](#) [801-43-002-10-013000](#) [801-43-006-10-002000](#)  
[803-41-018-10-001000](#)