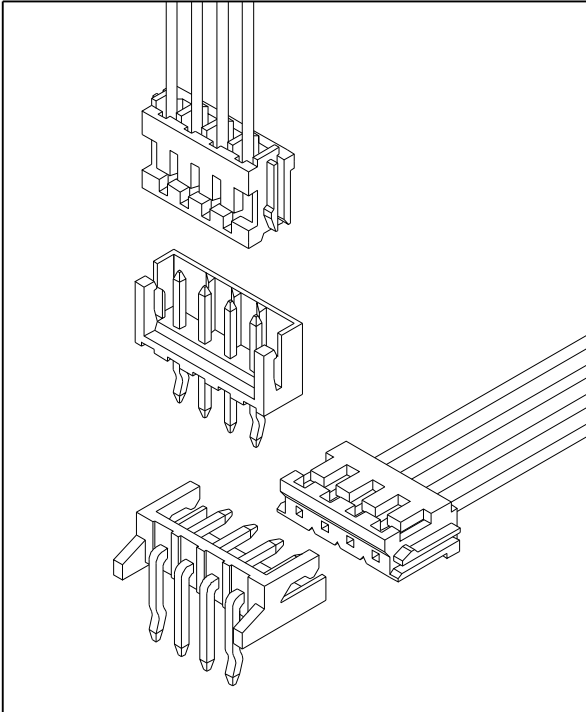


2.50mm Pitch Wire To Board Connector

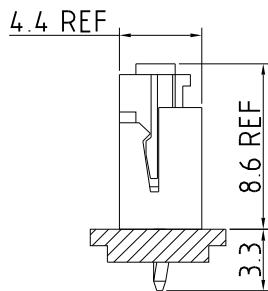
Specification

| | |
|-----------------------------------|----------------|
| Circuits | 02 - 15 |
| Pitch | 2.50mm |
| Current Rating | 3A AC/DC |
| Voltage Rating | 250V AC/DC |
| Contact Resistance | 10mΩ MAX. |
| Withstand Voltage | 800V AC/minute |
| Insulation Resistance | 1,000MΩ MIN. |
| Temperature Range | -25°C - +85°C |
| Applicable Wire Range | AWG #22 - #28 |
| Applicable P.C.B Thickness | 1.6mm |
| Applicable P.C.B Hole Dia. | Ø 1.0mm ± 0.05 |

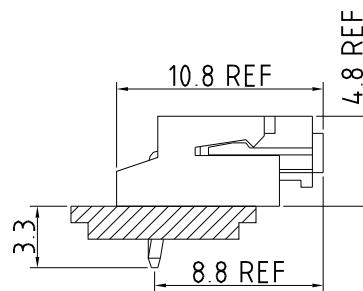


Assembly Layout

Vertical Type



Right Angle Type



IPCW257 * ** * * * * *
 ① ② ③ ④ ⑤ ⑥ ⑦ ⑧

- ① Series Type. IPCW257
- ② Connector Type.
T: Terminal
W: Wafer
H: Housing
- ③ Pin code.
Row
Pin number of row

- ④ Material code.
- ⑤ Appearance code.
- ⑥ Internal code
- ⑦ Company code.

- ⑧ Other code.
Wafer
V: Vertical Type
R: Right Angle
S: Vertical SMT TYPE (02 - 08)
T: Vertical SMT TYPE (09 - 16)
M: Right Angle SMT TYPE

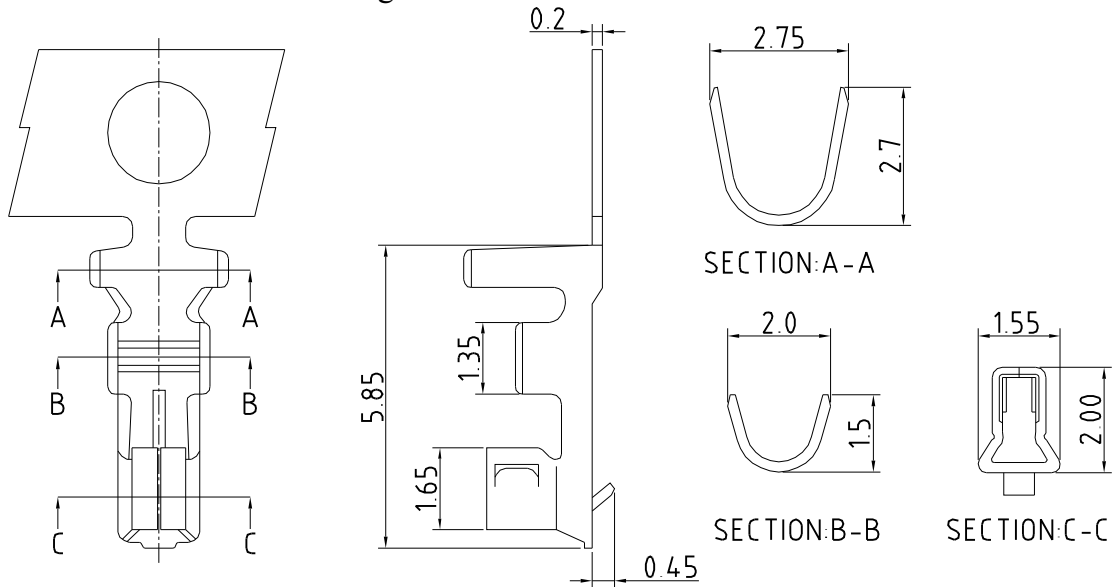
2.50mm Pitch Wire To Board Connector

Unit : mm

Terminal

Features

Use with: IPCW257 Series Housing



CONTACT INFORMATION

| Part No. | Wire Range | Insulation O.D. | Material | Finish | Q'ty/Reel |
|-------------|-------------|-----------------|-----------------|----------|------------|
| IPCW257T01* | AWG #22-#28 | 1.80mm(MAX.) | Brass | See note | 10,000 pcs |
| IPCW257T02* | | | Phosphor bronze | | |

Housing

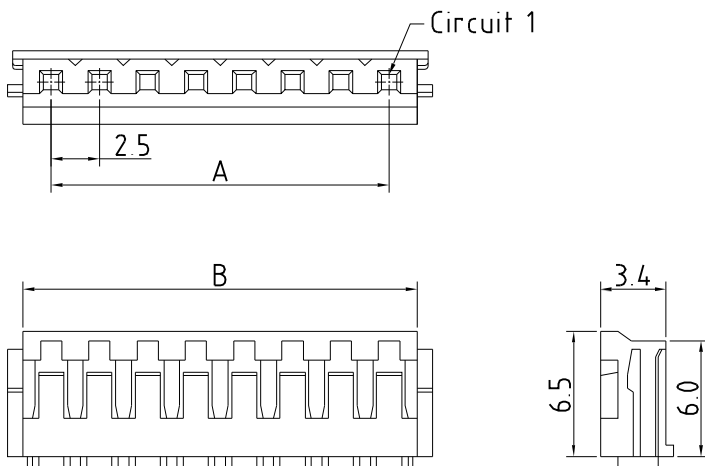
Features

Available Number of Circuits: 02 - 15

Material: Regular Thermoplastic 94V-0

Use with: IPCW257 Crimp Terminal

Mates with :IPCW257 Series Wafer



Dimension and Order Information

| Circuits | Part No. | DIM.(mm) | |
|----------|-------------|----------|-------|
| | | A | B |
| 2 | IPCW257H12* | 2.50 | 5.40 |
| 3 | IPCW257H13* | 5.00 | 7.90 |
| 4 | IPCW257H14* | 7.50 | 10.40 |
| 5 | IPCW257H15* | 10.00 | 12.90 |
| 6 | IPCW257H16* | 12.50 | 15.40 |
| 7 | IPCW257H17* | 15.00 | 17.90 |
| 8 | IPCW257H18* | 17.50 | 20.40 |
| 9 | IPCW257H19* | 20.00 | 22.90 |
| 10 | IPCW257H1A* | 22.50 | 25.40 |
| 11 | IPCW257H1B* | 25.00 | 27.90 |
| 12 | IPCW257H1C* | 27.50 | 30.40 |
| 13 | IPCW257H1D* | 30.00 | 32.90 |
| 14 | IPCW257H1E* | 32.50 | 35.40 |
| 15 | IPCW257H1F* | 35.00 | 37.90 |

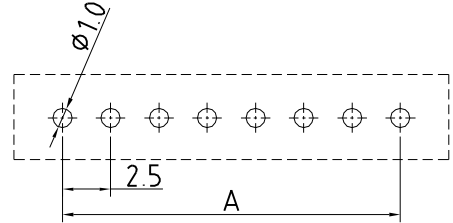
2.50mm Pitch Wire To Board Connector

Unit : mm

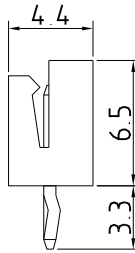
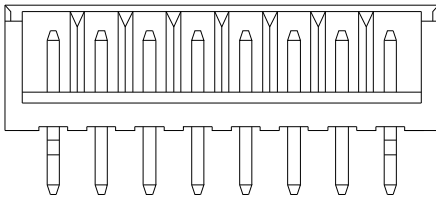
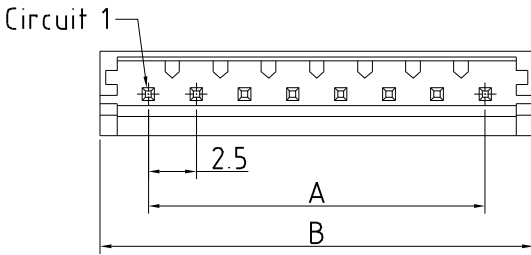
Wafer Vertical

Features

- Available Number of Circuits : 02 - 15
- Material : Regular Thermoplastic 94V-0
- Contact: 0.64mm(.025") Copper Alloy, Tin-plated
- Mates with : IPCW257 Series Housing



P.C.B LAYOUT



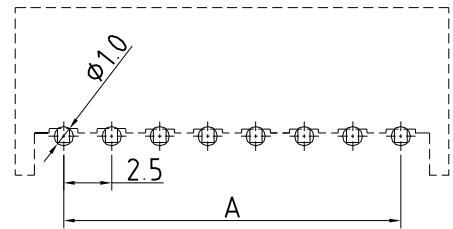
Dimension and Order Information

| Circuits | Part No. | DIM.(mm) | |
|----------|--------------|----------|-------|
| | | A | B |
| 2 | IPCW257H12*V | 2.50 | 7.50 |
| 3 | IPCW257H13*V | 5.00 | 10.00 |
| 4 | IPCW257H14*V | 7.50 | 12.50 |
| 5 | IPCW257H15*V | 10.00 | 15.00 |
| 6 | IPCW257H16*V | 12.50 | 17.50 |
| 7 | IPCW257H17*V | 15.00 | 20.00 |
| 8 | IPCW257H18*V | 17.50 | 22.50 |
| 9 | IPCW257H19*V | 20.00 | 25.00 |
| 10 | IPCW257H1A*V | 22.50 | 27.50 |
| 11 | IPCW257H1B*V | 25.00 | 30.00 |
| 12 | IPCW257H1C*V | 27.50 | 32.50 |
| 13 | IPCW257H1D*V | 30.00 | 35.00 |
| 14 | IPCW257H1E*V | 32.50 | 37.50 |
| 15 | IPCW257H1F*V | 35.00 | 40.00 |

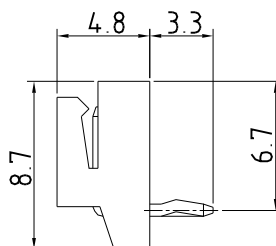
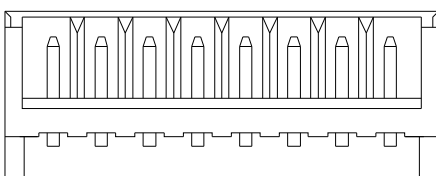
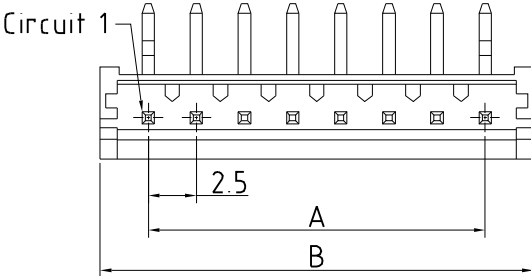
Wafer Right Angle

Features

- Available Number of Circuits : 02 - 15
- Material : Regular Thermoplastic 94V-0
- Contact: 0.64mm(.025") Copper Alloy, Tin-plated
- Mates with : IPCW257 Series Housing



P.C.B LAYOUT



Dimension and Order Information

| Circuits | Part No. | DIM.(mm) | |
|----------|--------------|----------|-------|
| | | A | B |
| 2 | IPCW257H12*R | 2.50 | 7.50 |
| 3 | IPCW257H13*R | 5.00 | 10.00 |
| 4 | IPCW257H14*R | 7.50 | 12.50 |
| 5 | IPCW257H15*R | 10.00 | 15.00 |
| 6 | IPCW257H16*R | 12.50 | 17.50 |
| 7 | IPCW257H17*R | 15.00 | 20.00 |
| 8 | IPCW257H18*R | 17.50 | 22.50 |
| 9 | IPCW257H19*R | 20.00 | 25.00 |
| 10 | IPCW257H1A*R | 22.50 | 27.50 |
| 11 | IPCW257H1B*R | 25.00 | 30.00 |
| 12 | IPCW257H1C*R | 27.50 | 32.50 |
| 13 | IPCW257H1D*R | 30.00 | 35.00 |
| 14 | IPCW257H1E*R | 32.50 | 37.50 |
| 15 | IPCW257H1F*R | 35.00 | 40.00 |

X-ON Electronics

Largest Supplier of Electrical and Electronic Components

Click to view similar products for [Headers & Wire Housings](#) category:

Click to view products by [INCP](#) manufacturer:

Other Similar products are found below :

[57102-F02-18ULF](#) [58102-G61-06LF](#) [0009485154](#) [009176003701906](#) [0050291907](#) [00-9021-0611-00-339](#) [02.125.8002.8](#) [609-3404](#) [61062-3](#)
[622-0430](#) [622-3653LF](#) [63453-116](#) [636-1030](#) [636-1427](#) [636-3427](#) [636-4007](#) [641938-9](#) [644827-2](#) [65495-038](#) [65692-001LF](#) [65781-018](#)
[65781-047](#) [65817-010LF](#) [65817-015LF](#) [66207-023LF](#) [67016-026LF](#) [67095-007LF](#) [68631-112](#) [68645-018](#) [68648-049](#) [699319-000](#)
[70.362.1628.0](#) [70-4210](#) [70-4226B](#) [70-4853B](#) [707-5020](#) [707-5028](#) [71.350.2428.0](#) [71961-016LF](#) [733-134](#) [754199-000](#) [760-3052](#) [787-8014-00](#)
[FCN-367T-T012/H](#) [80.063.4001.1](#) [800-90-001-10-001000](#) [800-90-010-10-002000](#) [801-43-002-10-013000](#) [801-43-006-10-002000](#)
[803-41-018-10-001000](#)