

Engineer Drawing

SPECIFICATIONS:

1. Poles: 2~24
2. Applicable: AWG #24~#16
3. Voltage Rating: 300V DC/AC
4. Current Rating: 9.0A
5. Withstand Voltage: 1500V AC
6. Working Temperature: -25°C ~ +85°C
7. Insulation Resistance: $\geq 1000\text{M}\Omega$ (Min)
8. Contact Resistance: $\leq 20\text{M}\Omega$ (Max)
9. Material: Nylon UL 94V-2(0)/Brass

IPCW 420 W XX X X XX X

① ② ③ ④ ⑤ ⑥ ⑦ ⑧

- | | |
|-------------------------|-----------------|
| ① Series Type | ⑤ Material Code |
| ② Pitch: 4.20mm | ⑥ Colour Code |
| ③ Connector Type | ⑦ Serial Code |
| ④ Pin Code: See Table 1 | ⑧ Other Code |

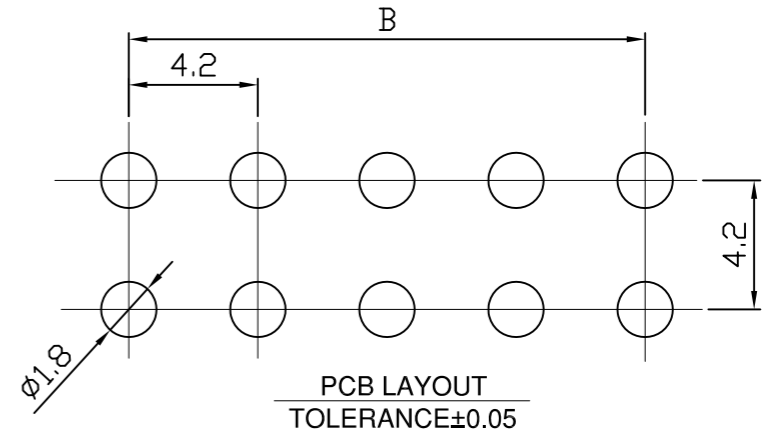
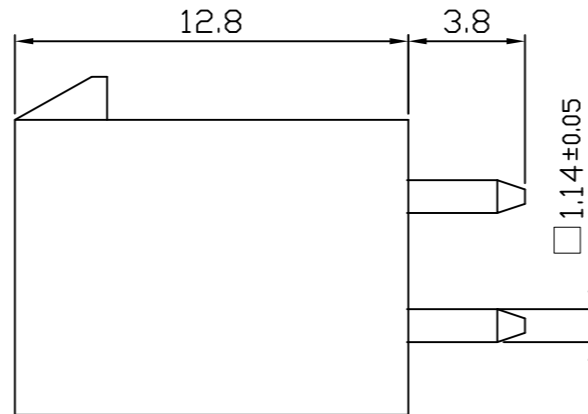
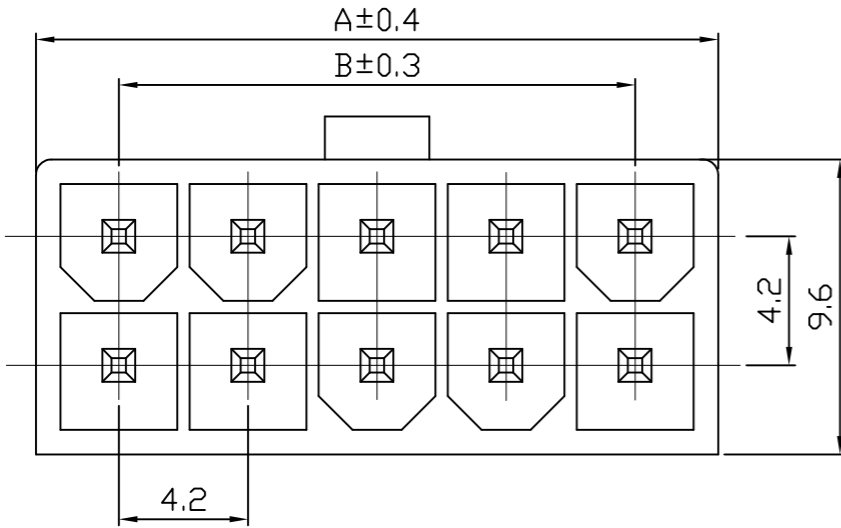


Table 1

| Pin Code | Circuits | Dimensions(mm) | |
|----------|----------|----------------|------|
| | | A | B |
| 22 | 4 | 5.4 | / |
| 24 | 8 | 9.6 | 4.2 |
| 26 | 12 | 13.8 | 8.4 |
| 28 | 16 | 18.0 | 12.6 |
| 2A | 20 | 22.2 | 16.8 |
| 2C | 24 | 26.6 | 21.0 |
| 2E | 28 | 30.6 | 25.2 |
| 2G | 32 | 34.8 | 29.4 |
| 2J | 36 | 39.0 | 33.6 |
| 2L | 40 | 43.2 | 37.8 |
| 2N | 44 | 47.4 | 42.0 |
| 2Q | 48 | 51.6 | 46.2 |

TOLERANCES:
 X.=±0.40
 X.X=±0.30
 X.XX=±0.20
 GENERAL ANGLE
 X°=±5°
 X.X°=±4°
 X.XX°=±3°

NCP

www.i-ncp.com

PART NO:
IPCW420W xx 0AV

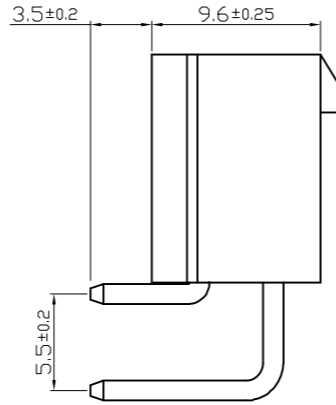
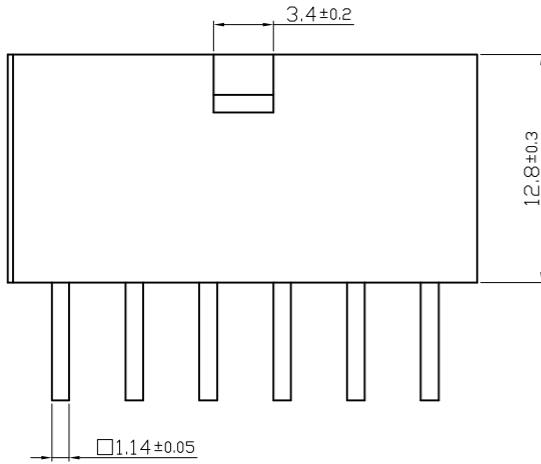
DRAWING NO
IPCW420W0AV

NAME:
4.2mmPH 2xnPin 180° Wire to Board

⊕ SHEET 1 OF 1

UNITS:mm SCALE:1:1 REV.01

Engineer Drawing



SPECIFICATIONS:

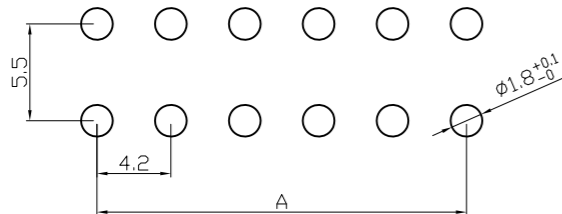
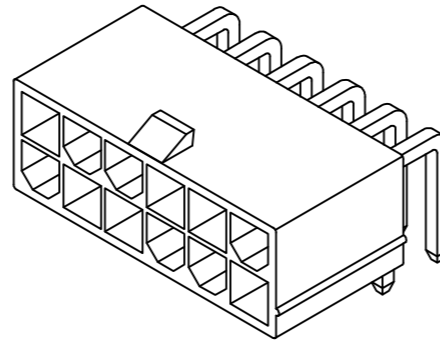
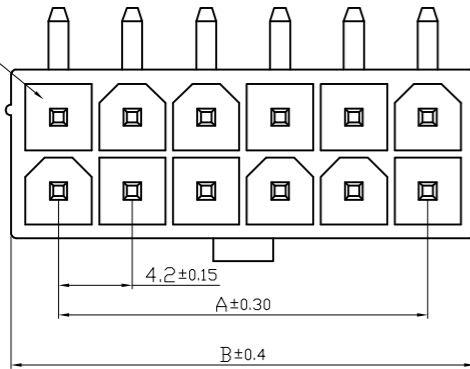
1. Poles: 2~24
2. Applicable: AWG #24~#16
3. Withstand Voltage: 1500V AC
4. Working Temperature: -25°C ~ +85°C
5. Insulation Resistance: ≥ 1000MΩ (Min)
6. Material: Nylon UL 94V-0(2)/Brass: 1.14mm

IPCW 420 W XX X X XX X

① ② ③ ④ ⑤ ⑥ ⑦ ⑧

- ① Series Type
- ⑤ Material Code
- ② Pitch: 4.20mm
- ⑥ Colour Code
- ③ Connector Type
- ⑦ Serial Code
- ④ Pin Code: See Table 1
- ⑧ Other Code

CKT NO. 1



P. C. B Board Layout (t=1.78mm max)

Table 1

| Pin Code | Circuits | Dimensions(mm) | | Pin Code | Circuits | Dimensions(mm) | |
|----------|----------|----------------|------|----------|----------|----------------|------|
| | | A | B | | | A | B |
| 22 | 4 | / | 5.40 | 2E | 28 | 25.2 | 30.6 |
| 24 | 8 | 4.20 | 9.60 | 2G | 32 | 29.4 | 34.8 |
| 26 | 12 | 8.40 | 13.8 | 2J | 36 | 33.6 | 39.0 |
| 28 | 16 | 12.6 | 18.0 | 2L | 40 | 37.8 | 43.2 |
| 2A | 20 | 16.8 | 22.2 | 2N | 44 | 42.0 | 47.4 |
| 2C | 24 | 21.0 | 26.4 | 2Q | 48 | 46.2 | 51.6 |

TOLERANCES:

- X: ±0.40
 - X.X: ±0.3
 - X.XX: ±0.20
- GENERAL ANGLE
- X°: ±5°
 - X.X°: ±4°
 - X.XX°: ±3°

NCP

www.i-ncp.com

PART NO:
IPCW420W xx 0AR

DRAWING NO
IPCW420W0AR

NAME:
4.2mmPH 2xnPin 90° Wire
to Board

⊕ SHEET 1 OF 1

UNITS:mm SCALE:1:1 REV.01

Engineer Drawing

SPECIFICATIONS:

1. Poles: 2~24
2. Applicable: AWG #24~#16
3. Voltage Rating: 300V DC/AC
4. Current Rating: 9.0A
5. Withstand Voltage: 1500V AC
6. Working Temperature: -25°C ~ +85°C
7. Insulation Resistance: ≥ 1000MΩ (Min)
8. Contact Resistance: ≤ 20MΩ (Max)
9. Material: Nylon UL 94V-0

IPCW 420 H XX X X XX X

① ② ③ ④ ⑤ ⑥ ⑦ ⑧

- | | |
|-------------------------|-----------------|
| ① Series Type | ⑤ Material Code |
| ② Pitch: 4.20mm | ⑥ Colour Code |
| ③ Connector Type | ⑦ Serial Code |
| ④ Pin Code: See Table 1 | ⑧ Other Code |

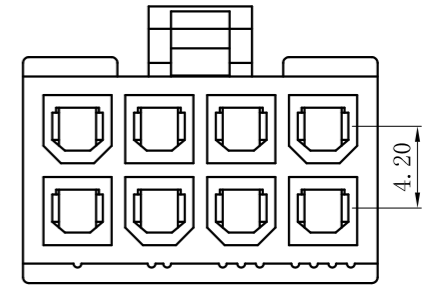
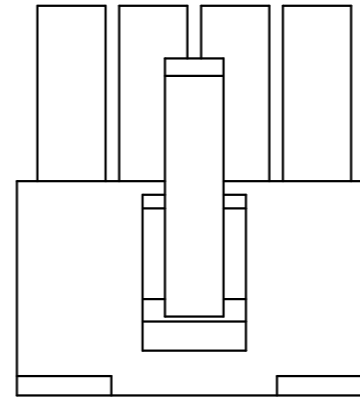
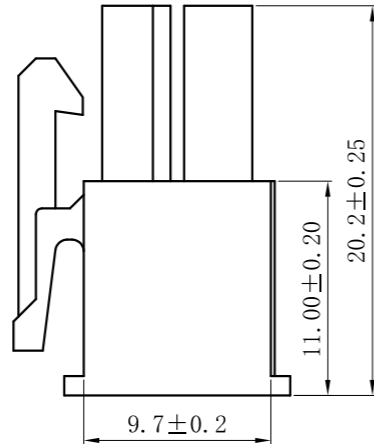
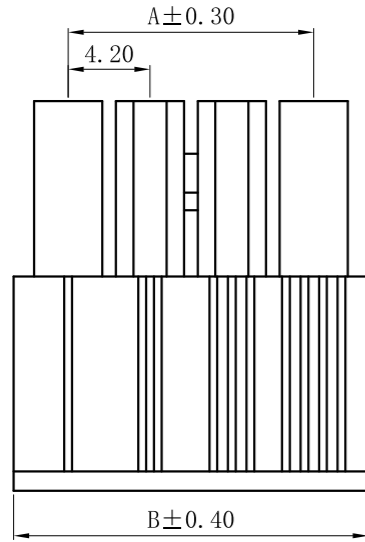
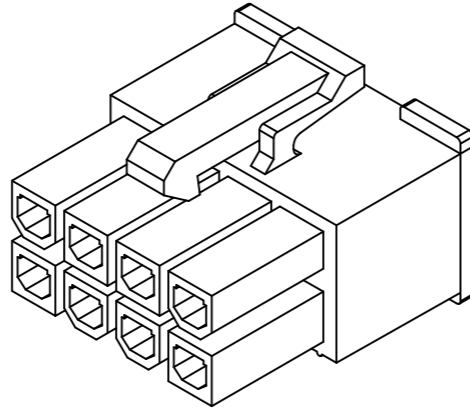
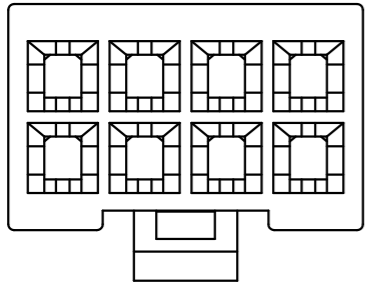


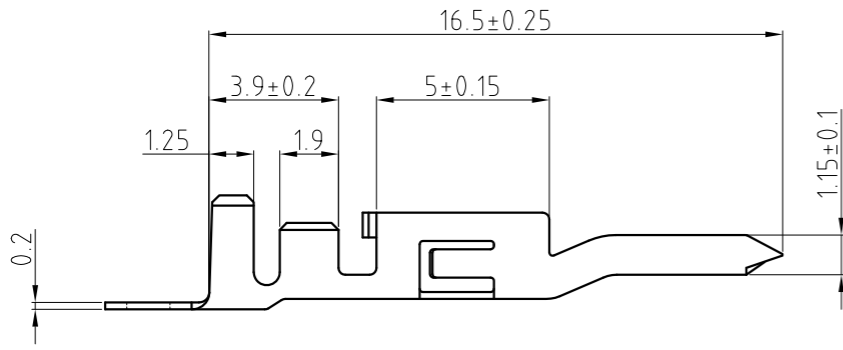
Table 1

| Pin Code | Circuits | Dimensions(mm) | | Pin Code | Circuits | Dimensions(mm) | |
|----------|----------|----------------|------|----------|----------|----------------|------|
| | | A | B | | | A | B |
| 22 | 4 | / | 5.60 | 2E | 28 | 25.2 | 30.8 |
| 24 | 8 | 4.20 | 9.80 | 2G | 32 | 29.4 | 35.0 |
| 26 | 12 | 8.40 | 14.0 | 2J | 36 | 33.6 | 39.2 |
| 28 | 16 | 12.6 | 18.2 | 2L | 40 | 37.8 | 43.4 |
| 2A | 20 | 16.8 | 22.4 | 2N | 44 | 42.0 | 47.6 |
| 2C | 24 | 21.0 | 26.6 | 2Q | 48 | 46.2 | 51.8 |

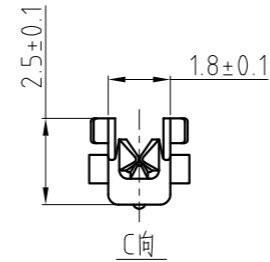
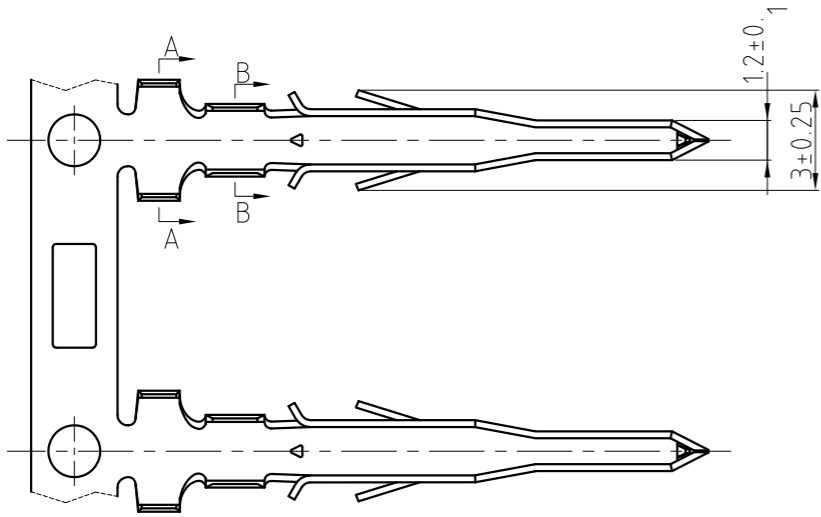
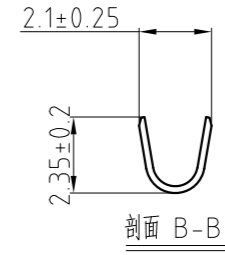
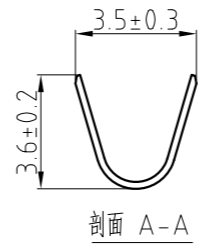
TOLERANCES:
 X. = ±0.35
 X.X = ±0.25
 X.XX = ±0.15
 GENERAL ANGLE
 X° = ±2°
 X.X° = ±1°
 X.XX° = ±0.5°

| | |
|-----------------------------|---|
| | www.i-ncp.com |
| PART NO: IPCW420H xx 1AV | NAME: 4.2mm PH 2xnPin Connector Housings Male |
| DRAWING NO IPCW420H1AV | UNITS:mm SCALE:1:1 REV.01 |
| SHEET 1 OF 1 | |

Engineer Drawing



C向



SPECIFICATIONS:

1. Applicable: AWG #16~#20
2. Voltage Rating: 250V AC/DC
3. Current Rating: 9.0A
5. Withstand Voltage: 1500V AC
6. Working Temperature: -25°C ~ +85°C
7. Insulation Resistance: ≥1000MΩ(Min)
8. Contact Resistance: ≤0.02 Ω(Max)
9. Material: Brass/Phosphor Bronze 0.2mm
10. Contact Area Plating: Tin-Plated

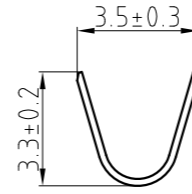
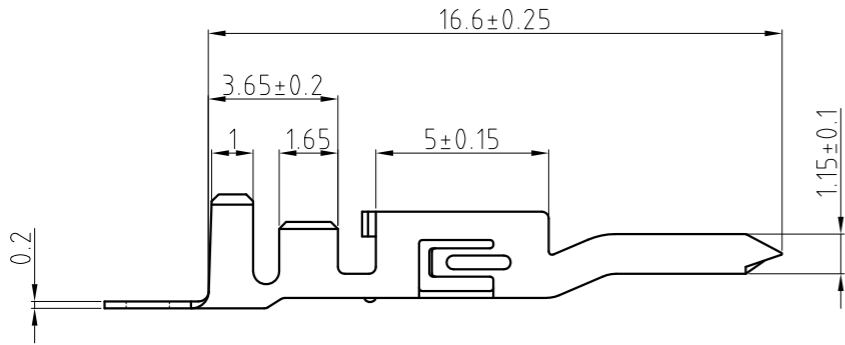
IPCW 420 T 01 X X X X X

- | | |
|------------------|-----------------------------------|
| ① Series Type | ⑤ Material Code |
| ② Pitch: 4.20mm | ⑥ Other Code |
| ③ Connector Type | ⑦ Terminal Typ: M: Male F: Female |
| ④ Serial Code | ⑧ Other Code |
| | ⑨ Plating: T= Tin |

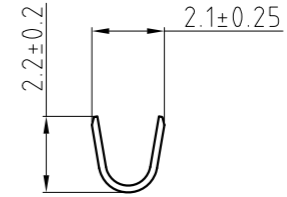
TOLERANCES:
 <10:±0.20
 10~30:±0.25
 >10:±0.45
 GENERAL ANGLE
 X°=±3°
 X.X°=±0.5°

| | |
|-----------------------------|---|
| | www.i-ncp.com |
| PART NO: IPCW420T01 xx M | NAME: 4.2mmPH Crimp Terminal Male AWG #16~#20 |
| DRAWING NO IPCW420T01MA | |
| SHEET 1 OF 1 | UNITS:mm SCALE:1:1 REV:01 |

Engineer Drawing

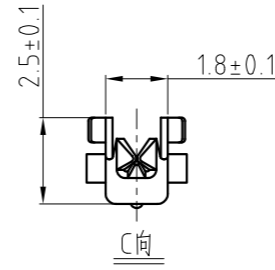
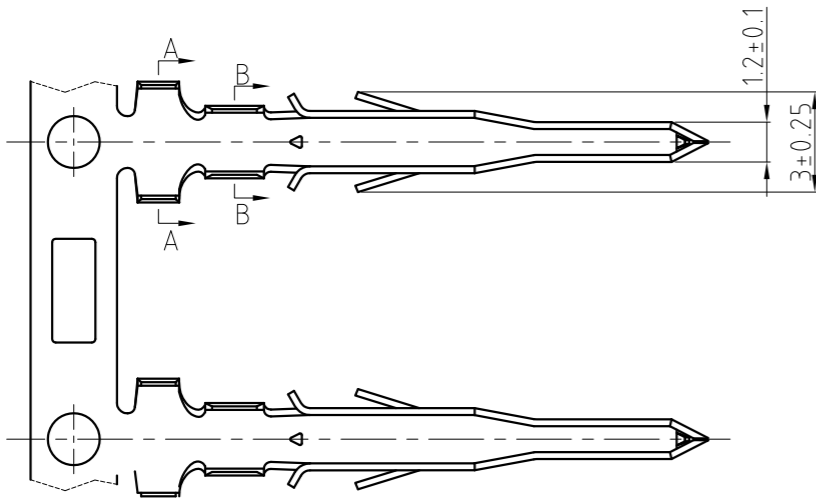


剖面 A-A



剖面 B-B

C向



C向

SPECIFICATIONS:

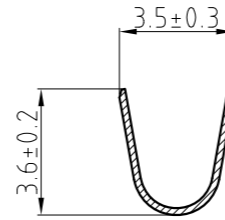
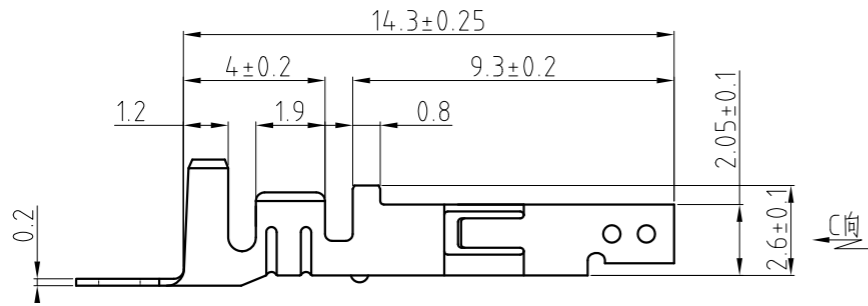
1. Applicable: AWG #18~#24
2. Voltage Rating: 250V AC/DC
3. Current Rating: 5.0A
5. Withstand Voltage: 1500V AC
6. Working Temperature: -25°C ~ +85°C
7. Insulation Resistance: $\geq 1000M\Omega$ (Min)
8. Contact Resistance: $\leq 0.02\Omega$ (Max)
9. Material: Brass/Phosphor Bronze 0.2mm
10. Contact Area Plating: Tin-Plated

IPCW 420 T 02 X X X X X

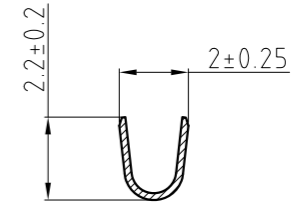
- | | |
|------------------|-----------------------------------|
| ① Series Type | ⑤ Material Code |
| ② Pitch: 4.20mm | ⑥ Other Code |
| ③ Connector Type | ⑦ Terminal Typ: M: Male F: Female |
| ④ Serial Code | ⑧ Other Code |
| | ⑨ Plating: T= Tin |

| | | |
|---|---|---|
| TOLERANCES: <10:±0.20 10~30:±0.25 >10:±0.45 GENERAL ANGLE X°=±3° X.X°=±0.5° | | www.i-ncp.com |
| | PART NO: IPCW420T02 xx M | NAME: 4.2mmPH Crimp Terminal Male AWG #18~#24 |
| | DRAWING NO IPCW420T02MA | |
| | SHEET 1 OF 1 UNITS:mm SCALE:1:1 REV.01 | |

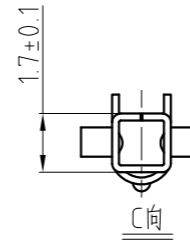
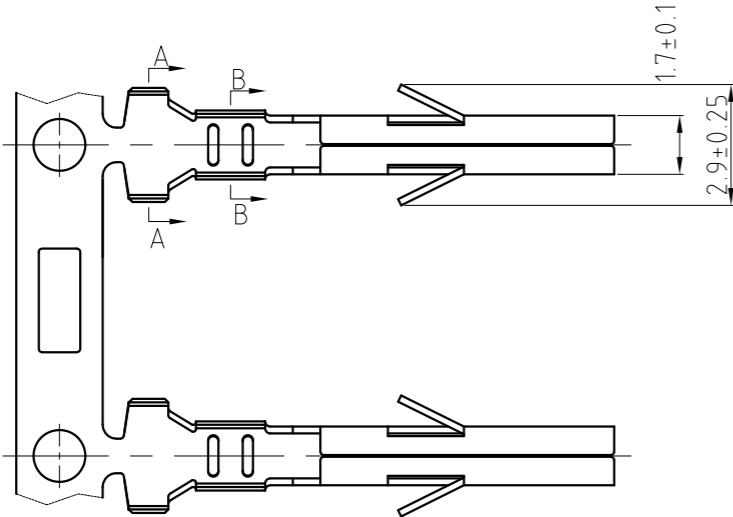
Engineer Drawing



剖面 A-A



剖面 B-B



C向

SPECIFICATIONS:

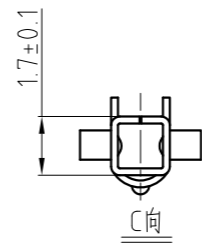
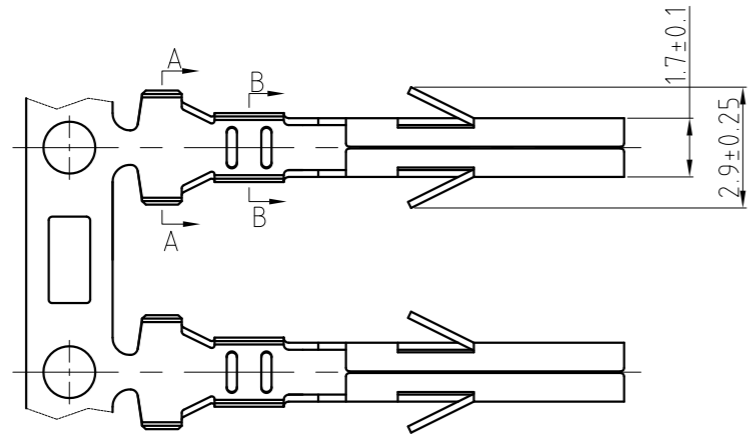
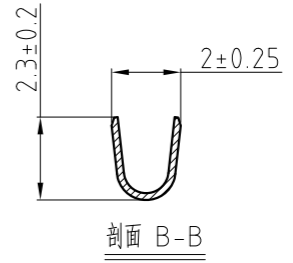
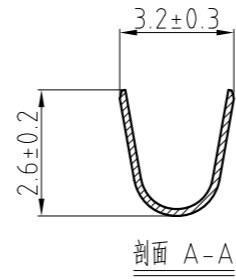
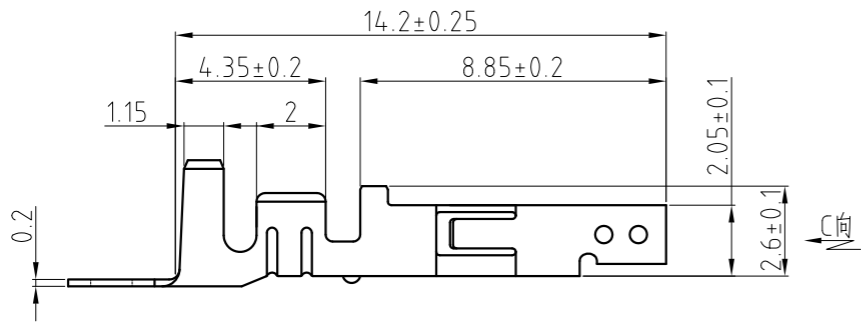
1. Applicable: AWG #16~#20
2. Voltage Rating: 250V AC/DC
3. Current Rating: 9.0A
5. Withstand Voltage: 1500V AC
6. Working Temperature: -25°C ~ +85°C
7. Insulation Resistance: ≥1000MΩ(Min)
8. Contact Resistance: ≤0.02 Ω(Max)
9. Material: Brass/Phosphor Bronze 0.2mm
10. Contact Area Plating: Tin-Plated

IPCW 420 T 01 X X X X X

- | | | | | | | | | |
|---------------|-----------------|------------------|---------------|-----------------|--------------|-----------------------------------|--------------|-------------------|
| ① | ② | ③ | ④ | ⑤ | ⑥ | ⑦ | ⑧ | ⑨ |
| ① Series Type | ② Pitch: 4.20mm | ③ Connector Type | ④ Serial Code | ⑤ Material Code | ⑥ Other Code | ⑦ Terminal Typ: M: Male F: Female | ⑧ Other Code | ⑨ Plating: T= Tin |

| | | |
|---|-----------------------------|---|
| TOLERANCES: <10:±0.20 10~30:±0.25 >10:±0.45 GENERAL ANGLE X°=±3° X.X°=±0.5° | NCP | www.i-ncp.com |
| | PART NO: IPCW420T01 xx F | NAME: 4.2mmPH Crimp Terminal Female AWG #16~#20 |
| | DRAWING NO IPCW420T01FA | |
| SHEET 1 OF 1 | | UNITS:mm SCALE:1:1 REV.01 |

Engineer Drawing



SPECIFICATIONS:

1. Applicable: AWG #18~#24
2. Voltage Rating: 250V AC/DC
3. Current Rating: 5.0A
5. Withstand Voltage: 1500V AC
6. Working Temperature: -25°C ~ +85°C
7. Insulation Resistance: ≥ 1000MΩ (Min)
8. Contact Resistance: ≤ 0.02 Ω (Max)
9. Material: Brass/Phosphor Bronze 0.2mm
10. Contact Area Plating: Tin-Plated

IPCW 420 T 02 X X X X X

- | | |
|------------------|-----------------------------------|
| ① Series Type | ⑤ Material Code |
| ② Pitch: 4.20mm | ⑥ Other Code |
| ③ Connector Type | ⑦ Terminal Typ: M: Male F: Female |
| ④ Serial Code | ⑧ Other Code |
| | ⑨ Plating: T= Tin |

| | | |
|---|-----------------------------|---|
| TOLERANCES: <10:±0.20 10~30:±0.25 >10:±0.45 GENERAL ANGLE X°=±3° X.X°=±0.5° | NCP | www.i-ncp.com |
| | PART NO: IPCW420T02 xx F | NAME: 4.2mmPH Crimp Terminal Female AWG #18~#24 |
| | DRAWING NO IPCW420T02FA | |
| | SHEET 1 OF 1 | UNITS:mm SCALE:1:1 REV:01 |

X-ON Electronics

Largest Supplier of Electrical and Electronic Components

Click to view similar products for [Headers & Wire Housings](#) category:

Click to view products by [INCP](#) manufacturer:

Other Similar products are found below :

[0015917161](#) [0022155065](#) [57102-F02-18ULF](#) [58102-G61-06LF](#) [582553-1](#) [01.001.5753.1](#) [0050291907](#) [02.125.8002.8](#) [609-3404](#) [61062-3](#)
[CSU011177004](#) [622-0430](#) [622-3653LF](#) [63453-116](#) [636-1030](#) [636-1427](#) [636-3427](#) [636-4007](#) [641938-9](#) [65495-038](#) [65692-001LF](#) [65781-018](#)
[65781-047](#) [65817-010LF](#) [65817-015LF](#) [67095-007LF](#) [67601157](#) [68631-112](#) [699319-000](#) [70.362.1628.0](#) [70-4210](#) [70-4226B](#) [70-4853B](#) [707-](#)
[5028](#) [71.350.2428.0](#) [733-134](#) [733-162](#) [760-3052](#) [MHR-64-VUAL](#) [80.063.4001.1](#) [800-90-001-10-001000](#) [801-43-002-10-013000](#)
[801-43-006-10-002000](#) [803-43-024-10-001000](#) [803-93-012-10-001000](#) [8-1437020-4](#) [819-22-004-30-001101](#) [820-22-006-30-001101](#)
[820-22-008-30-001101](#) [821-22-002-10-001101](#)