

# Engineer Drawing

## SPECIFICATIONS:

1. Poles: 2~24
2. Applicable: AWG #24~#16
3. Voltage Rating: 300V DC/AC
4. Current Rating: 9.0A
5. Withstand Voltage: 1500V AC
6. Working Temperature: -25°C ~ +85°C
7. Insulation Resistance:  $\geq 1000\text{M}\Omega$  (Min)
8. Contact Resistance:  $\leq 20\text{M}\Omega$  (Max)
9. Material: Nylon UL 94V-2(0)/Brass

IPCW 420 W XX X X XX X

① ② ③ ④ ⑤ ⑥ ⑦ ⑧

- |                         |                 |
|-------------------------|-----------------|
| ① Series Type           | ⑤ Material Code |
| ② Pitch: 4.20mm         | ⑥ Colour Code   |
| ③ Connector Type        | ⑦ Serial Code   |
| ④ Pin Code: See Table 1 | ⑧ Other Code    |

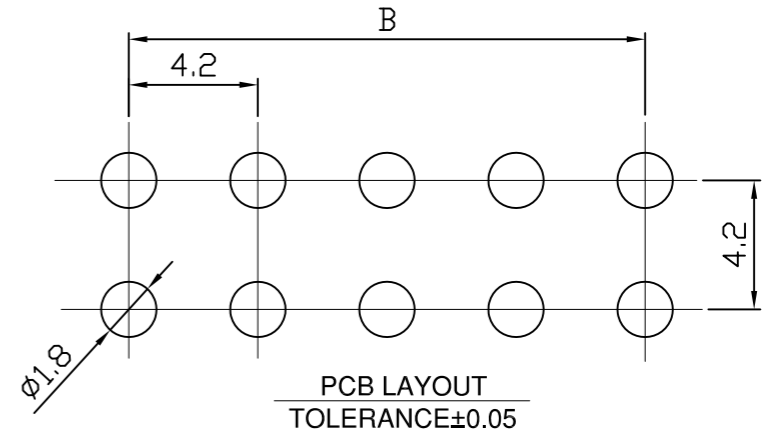
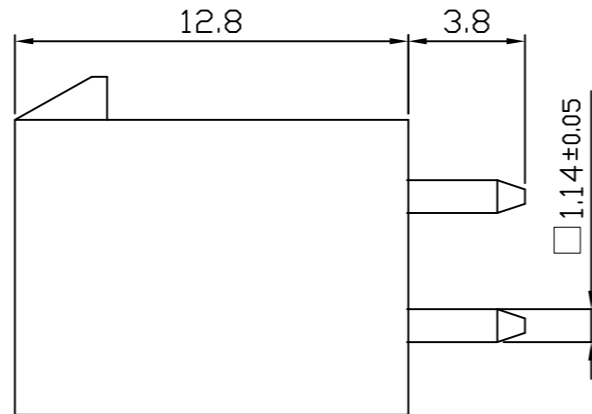
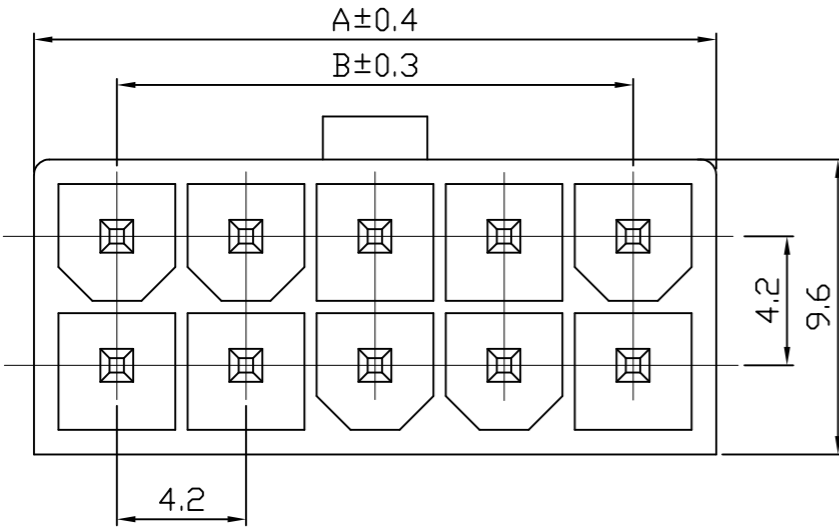


Table 1

Pin Code	Circuits	Dimensions(mm)	
		A	B
22	4	5.4	/
24	8	9.6	4.2
26	12	13.8	8.4
28	16	18.0	12.6
2A	20	22.2	16.8
2C	24	26.6	21.0
2E	28	30.6	25.2
2G	32	34.8	29.4
2J	36	39.0	33.6
2L	40	43.2	37.8
2N	44	47.4	42.0
2Q	48	51.6	46.2

TOLERANCES:  
 X.=±0.40  
 X.X=±0.30  
 X.XX=±0.20  
 GENERAL ANGLE  
 X°=±5°  
 X.X°=±4°  
 X.XX°=±3°

**NCP**

[www.i-ncp.com](http://www.i-ncp.com)

PART NO:  
IPCW420W xx 0AV

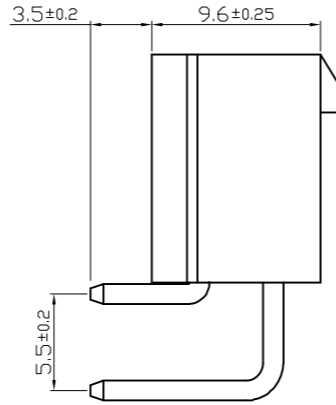
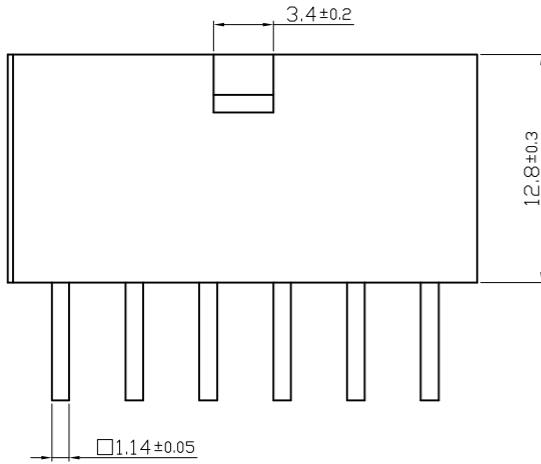
DRAWING NO  
IPCW420W0AV

NAME:  
4.2mmPH 2xnPin 180° Wire to Board

⊕ SHEET 1 OF 1

UNITS:mm SCALE:1:1 REV.01

# Engineer Drawing



## SPECIFICATIONS:

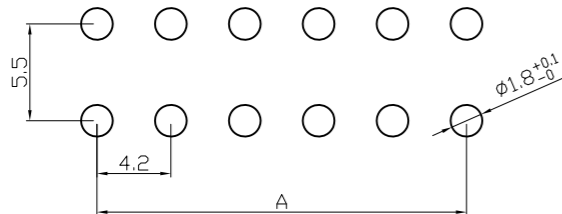
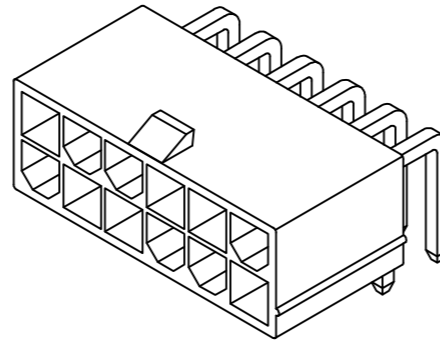
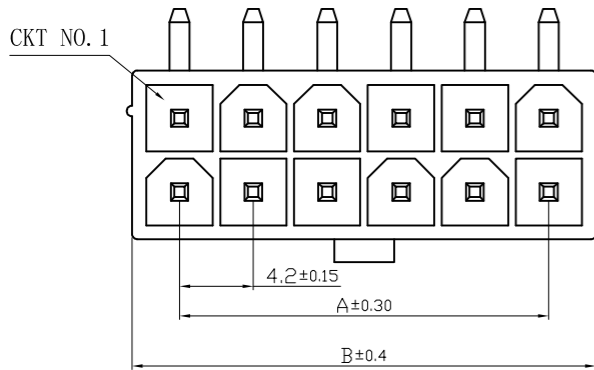
1. Poles: 2~24
2. Applicable: AWG #24~#16
3. Withstand Voltage: 1500V AC
4. Working Temperature: -25°C ~ +85°C
5. Insulation Resistance: ≥ 1000MΩ (Min)
6. Material: Nylon UL 94V-0(2)/Brass: 1.14mm

IPCW 420 W XX X X XX X

① ② ③ ④ ⑤ ⑥ ⑦ ⑧

- ① Series Type
- ⑤ Material Code
- ② Pitch: 4.20mm
- ⑥ Colour Code
- ③ Connector Type
- ⑦ Serial Code
- ④ Pin Code: See Table 1
- ⑧ Other Code

CKT NO. 1



P. C. B Board Layout (t=1.78mm max)

Table 1

Pin Code	Circuits	Dimensions(mm)		Pin Code	Circuits	Dimensions(mm)	
		A	B			A	B
22	4	/	5.40	2E	28	25.2	30.6
24	8	4.20	9.60	2G	32	29.4	34.8
26	12	8.40	13.8	2J	36	33.6	39.0
28	16	12.6	18.0	2L	40	37.8	43.2
2A	20	16.8	22.2	2N	44	42.0	47.4
2C	24	21.0	26.4	2Q	48	46.2	51.6

### TOLERANCES:

- X: ±0.40
  - X.X: ±0.3
  - X.XX: ±0.20
- GENERAL ANGLE
- X°: ±5°
  - X.X°: ±4°
  - X.XX°: ±3°

**NCP**

[www.i-ncp.com](http://www.i-ncp.com)

PART NO:  
IPCW420W xx 0AR

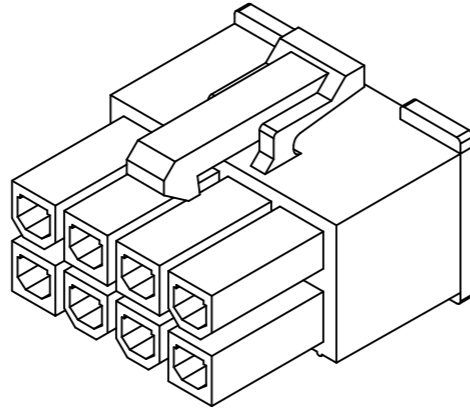
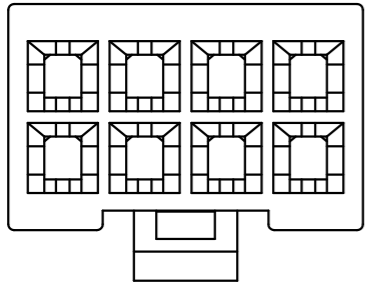
DRAWING NO  
IPCW420W0AR

NAME:  
4.2mmPH 2xnPin 90° Wire  
to Board

⊕ SHEET 1 OF 1

UNITS:mm SCALE:1:1 REV:01

# Engineer Drawing



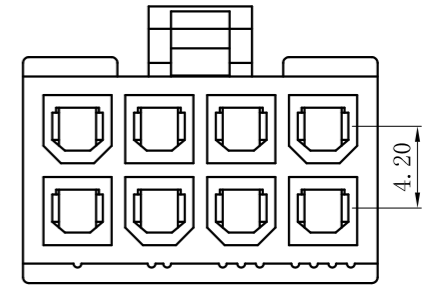
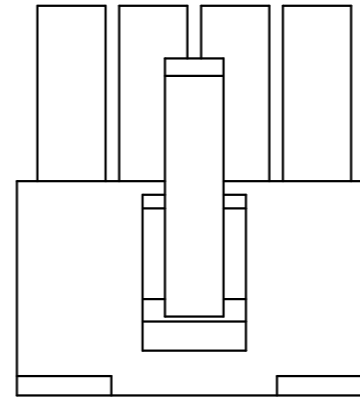
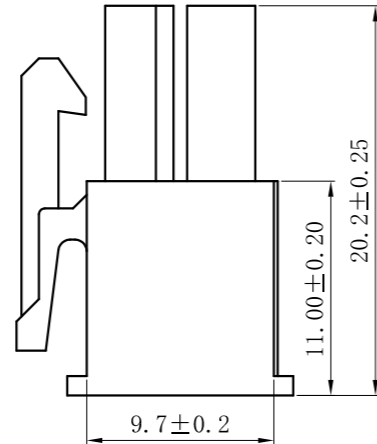
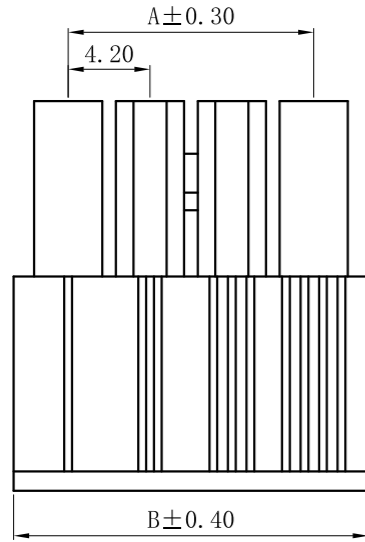
## SPECIFICATIONS:

1. Poles: 2~24
2. Applicable: AWG #24~#16
3. Voltage Rating: 300V DC/AC
4. Current Rating: 9.0A
5. Withstand Voltage: 1500V AC
6. Working Temperature: -25°C ~ +85°C
7. Insulation Resistance: ≥ 1000MΩ (Min)
8. Contact Resistance: ≤ 20MΩ (Max)
9. Material: Nylon UL 94V-0

IPCW 420 H XX X X XX X

① ② ③ ④ ⑤ ⑥ ⑦ ⑧

- |                         |                 |
|-------------------------|-----------------|
| ① Series Type           | ⑤ Material Code |
| ② Pitch: 4.20mm         | ⑥ Colour Code   |
| ③ Connector Type        | ⑦ Serial Code   |
| ④ Pin Code: See Table 1 | ⑧ Other Code    |



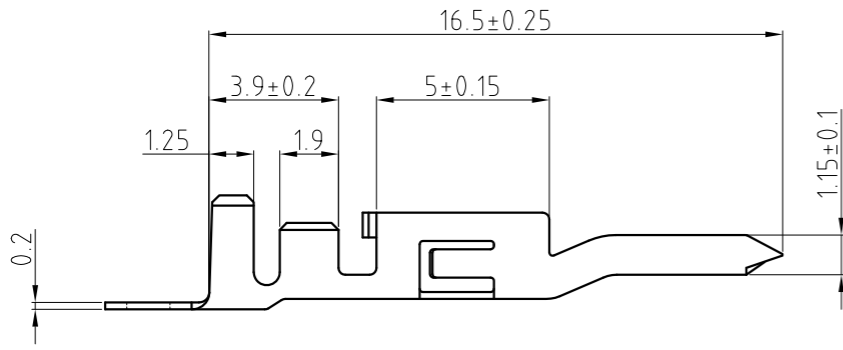
**Table 1**

Pin Code	Circuits	Dimensions(mm)		Pin Code	Circuits	Dimensions(mm)	
		A	B			A	B
22	4	/	5.60	2E	28	25.2	30.8
24	8	4.20	9.80	2G	32	29.4	35.0
26	12	8.40	14.0	2J	36	33.6	39.2
28	16	12.6	18.2	2L	40	37.8	43.4
2A	20	16.8	22.4	2N	44	42.0	47.6
2C	24	21.0	26.6	2Q	48	46.2	51.8

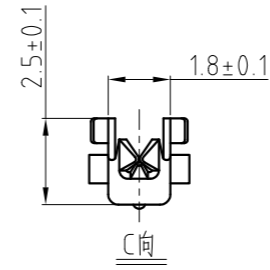
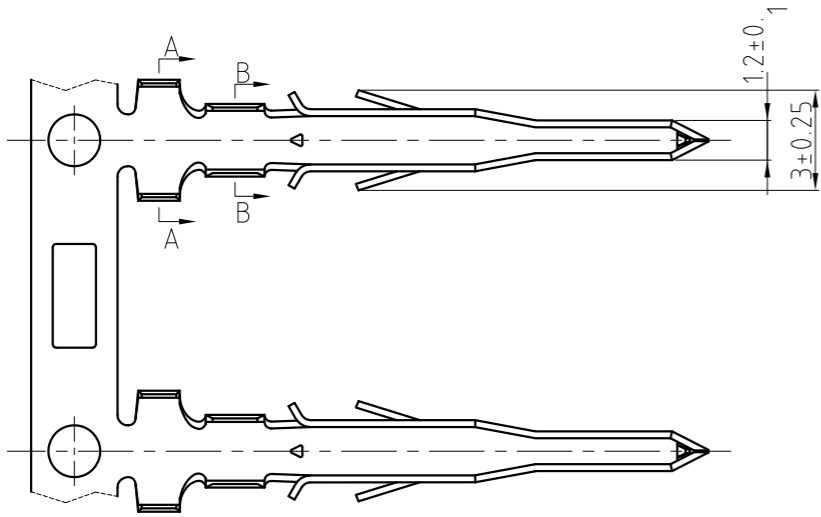
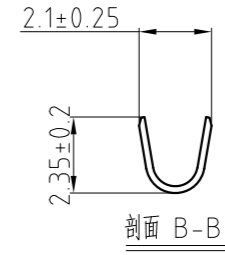
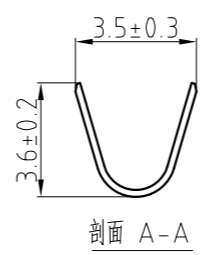
TOLERANCES:  
 X.=±0.35  
 X.X=±0.25  
 X.XX=±0.15  
 GENERAL ANGLE  
 X°=±2°  
 X.X°=±1°  
 X.XX°=±0.5°

	<a href="http://www.i-ncp.com">www.i-ncp.com</a>
PART NO: IPCW420H xx 1AV	NAME: 4.2mm PH 2xnPin Connector Housings Male
DRAWING NO IPCW420H1AV	UNITS:mm SCALE:1:1 REV.01
SHEET 1 OF 1	

# Engineer Drawing



C向



### SPECIFICATIONS:

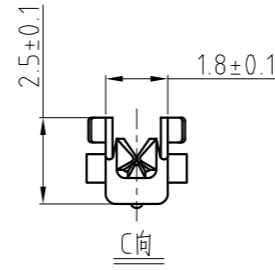
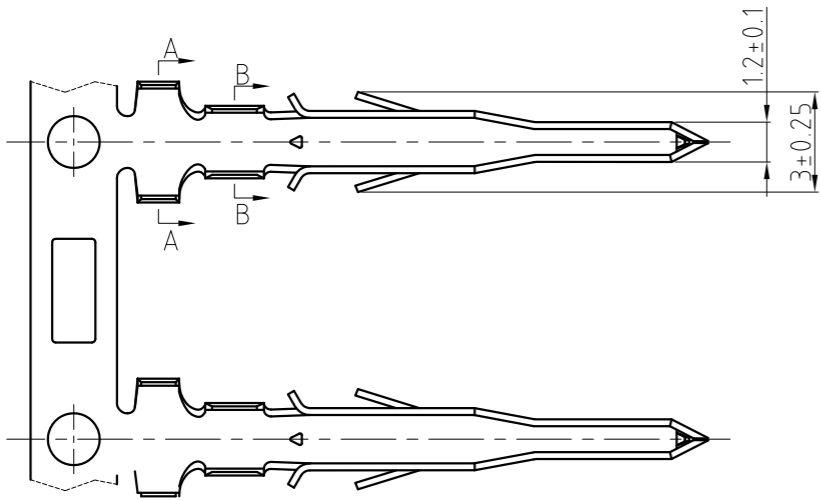
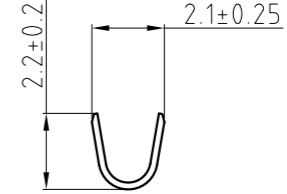
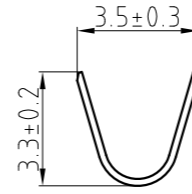
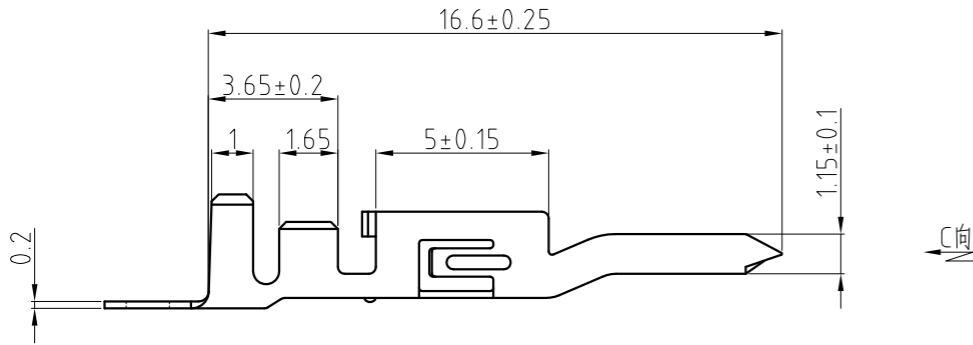
1. Applicable: AWG #16~#20
2. Voltage Rating: 250V AC/DC
3. Current Rating: 9.0A
5. Withstand Voltage: 1500V AC
6. Working Temperature: -25°C ~ +85°C
7. Insulation Resistance: ≥1000MΩ(Min)
8. Contact Resistance: ≤0.02 Ω(Max)
9. Material: Brass/Phosphor Bronze 0.2mm
10. Contact Area Plating: Tin-Plated

IPCW 420 T 01 X X X X X

- |                 |               |   |                               |                |             |                |   |   |
|-----------------|---------------|---|-------------------------------|----------------|-------------|----------------|---|---|
| ①               | ②             | ③ | ④                             | ⑤              | ⑥           | ⑦              | ⑧ | ⑨ |
| ①Series Type    | ②Pitch:4.20mm |   |                               | ⑤Material Code | ⑥Other Code |                |   |   |
| ③Connector Type |               |   | ⑦Terminal Typ:M:Male F:Female |                |             |                |   |   |
| ④Serial Code    |               |   | ⑧Other Code                   |                |             |                |   |   |
|                 |               |   |                               |                |             | ⑨Plating:T=Tin |   |   |

TOLERANCES: <10:±0.20 10~30:±0.25 >10:±0.45 GENERAL ANGLE X°=±3° X.X°=±0.5°		<a href="http://www.i-ncp.com">www.i-ncp.com</a>
	PART NO: IPCW420T01 xx M	NAME: 4.2mmPH Crimp Terminal Male AWG #16~#20
	DRAWING NO IPCW420T01MA	
	SHEET 1 OF 1	
UNITS:mm SCALE:1:1 REV.01		

# Engineer Drawing



### SPECIFICATIONS:

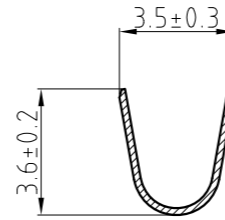
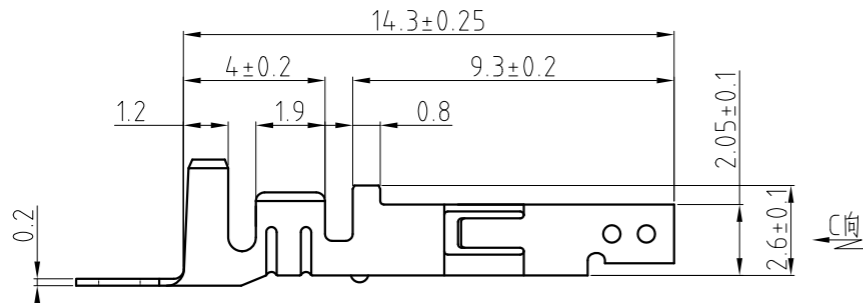
1. Applicable: AWG #18~#24
2. Voltage Rating: 250V AC/DC
3. Current Rating: 5.0A
5. Withstand Voltage: 1500V AC
6. Working Temperature: -25°C ~ +85°C
7. Insulation Resistance: ≥ 1000MΩ (Min)
8. Contact Resistance: ≤ 0.02 Ω (Max)
9. Material: Brass/Phosphor Bronze 0.2mm
10. Contact Area Plating: Tin-Plated

IPCW 420 T 02 X X X X X

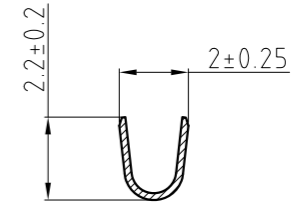
- |                  |                                   |
|------------------|-----------------------------------|
| ① Series Type    | ⑤ Material Code                   |
| ② Pitch: 4.20mm  | ⑥ Other Code                      |
| ③ Connector Type | ⑦ Terminal Typ: M: Male F: Female |
| ④ Serial Code    | ⑧ Other Code                      |
|                  | ⑨ Plating: T= Tin                 |

TOLERANCES: <10:±0.20 10~30:±0.25 >10:±0.45 GENERAL ANGLE X°=±3° X.X°=±0.5°	<b>NCP</b>	<a href="http://www.i-ncp.com">www.i-ncp.com</a>
	PART NO: IPCW420T02 xx M	NAME: 4.2mmPH Crimp Terminal Male AWG #18~#24
	DRAWING NO IPCW420T02MA	
	SHEET 1 OF 1    UNITS:mm    SCALE:1:1    REV.01	

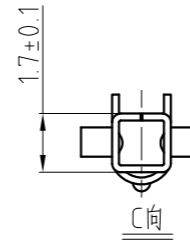
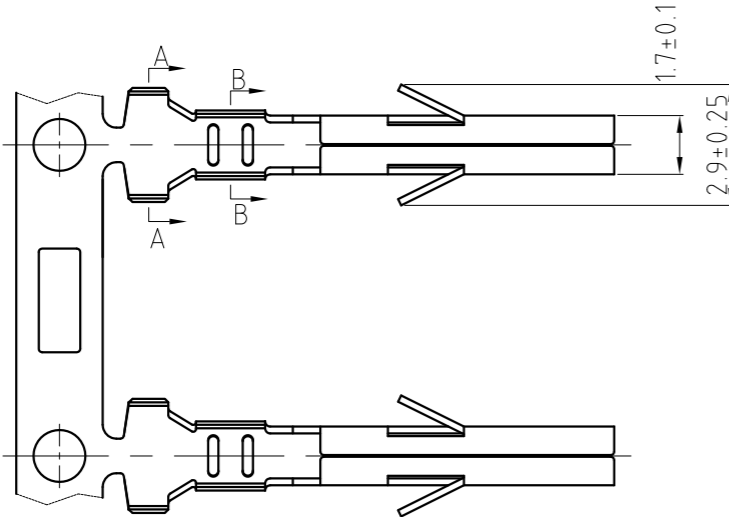
# Engineer Drawing



剖面 A-A



剖面 B-B



C向

## SPECIFICATIONS:

1. Applicable: AWG #16~#20
2. Voltage Rating: 250V AC/DC
3. Current Rating: 9.0A
5. Withstand Voltage: 1500V AC
6. Working Temperature: -25°C ~ +85°C
7. Insulation Resistance: ≥1000MΩ(Min)
8. Contact Resistance: ≤0.02 Ω(Max)
9. Material: Brass/Phosphor Bronze 0.2mm
10. Contact Area Plating: Tin-Plated

IPCW 420 T 01 X X X X X

- |               |                 |                  |               |                 |              |                                   |              |                   |
|---------------|-----------------|------------------|---------------|-----------------|--------------|-----------------------------------|--------------|-------------------|
| ①             | ②               | ③                | ④             | ⑤               | ⑥            | ⑦                                 | ⑧            | ⑨                 |
| ① Series Type | ② Pitch: 4.20mm | ③ Connector Type | ④ Serial Code | ⑤ Material Code | ⑥ Other Code | ⑦ Terminal Typ: M: Male F: Female | ⑧ Other Code | ⑨ Plating: T= Tin |

TOLERANCES:  
 <10:±0.20  
 10~30:±0.25  
 >10:±0.45  
 GENERAL ANGLE  
 X°=±3°  
 X.X°=±0.5°

**NCP**

[www.i-ncp.com](http://www.i-ncp.com)

PART NO:  
IPCW420T01 xx F

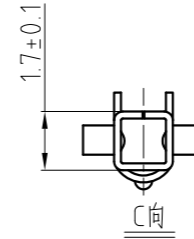
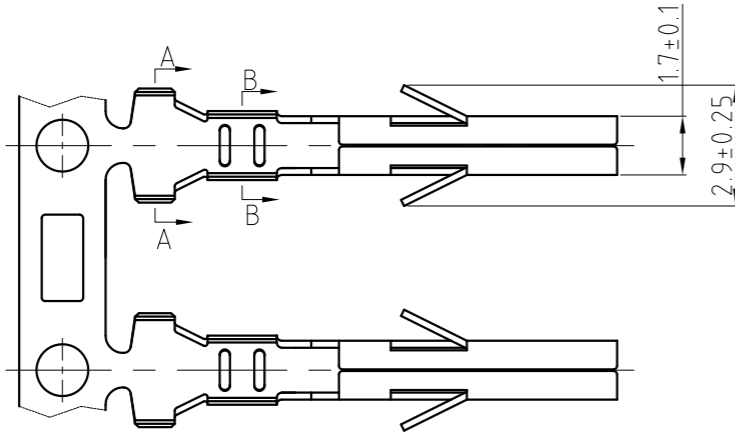
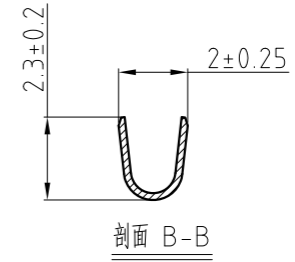
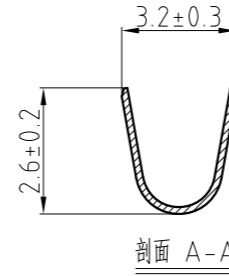
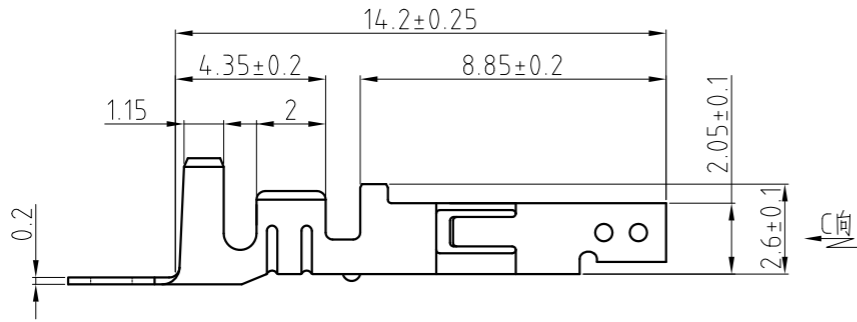
NAME:  
4.2mmPH Crimp Terminal  
Female AWG #16~#20

DRAWING NO  
IPCW420T01FA

⊗ SHEET 1 OF 1

UNITS:mm SCALE:1:1 REV.01

# Engineer Drawing



### SPECIFICATIONS:

1. Applicable: AWG #18~#24
2. Voltage Rating: 250V AC/DC
3. Current Rating: 5.0A
5. Withstand Voltage: 1500V AC
6. Working Temperature: -25°C ~ +85°C
7. Insulation Resistance: ≥ 1000MΩ (Min)
8. Contact Resistance: ≤ 0.02 Ω (Max)
9. Material: Brass/Phosphor Bronze 0.2mm
10. Contact Area Plating: Tin-Plated

IPCW 420 T 02 X X X X X

① ② ③ ④ ⑤ ⑥ ⑦ ⑧ ⑨

- |                  |                                   |
|------------------|-----------------------------------|
| ① Series Type    | ⑤ Material Code                   |
| ② Pitch: 4.20mm  | ⑥ Other Code                      |
| ③ Connector Type | ⑦ Terminal Typ: M: Male F: Female |
| ④ Serial Code    | ⑧ Other Code                      |
|                  | ⑨ Plating: T= Tin                 |

TOLERANCES:  
 <10:±0.20  
 10~30:±0.25  
 >10:±0.45  
 GENERAL ANGLE  
 X°=±3°  
 X.X°=±0.5°

**NCP**

[www.i-ncp.com](http://www.i-ncp.com)

PART NO:  
IPCW420T02 xx F

NAME:  
4.2mmPH Crimp Terminal  
Female AWG #18~#24

DRAWING NO  
IPCW420T02FA

☉ SHEET 1 OF 1

UNITS:mm SCALE:1:1 REV:01

## X-ON Electronics

Largest Supplier of Electrical and Electronic Components

*Click to view similar products for [Headers & Wire Housings](#) category:*

*Click to view products by [INCP](#) manufacturer:*

Other Similar products are found below :

[0015917161](#) [0022155065](#) [57102-F02-18ULF](#) [58102-G61-06LF](#) [582553-1](#) [01.001.5753.1](#) [0050291907](#) [02.125.8002.8](#) [609-3404](#) [61062-3](#)  
[CSU011177004](#) [622-0430](#) [622-3653LF](#) [63453-116](#) [636-1030](#) [636-1427](#) [636-3427](#) [636-4007](#) [641938-9](#) [65495-038](#) [65692-001LF](#) [65781-018](#)  
[65781-047](#) [65817-010LF](#) [65817-015LF](#) [67095-007LF](#) [67601157](#) [68631-112](#) [699319-000](#) [70.362.1628.0](#) [70-4210](#) [70-4226B](#) [70-4853B](#) [707-](#)  
[5028](#) [71.350.2428.0](#) [733-134](#) [733-162](#) [760-3052](#) [MHR-64-VUAL](#) [80.063.4001.1](#) [800-90-001-10-001000](#) [801-43-002-10-013000](#)  
[801-43-006-10-002000](#) [803-43-024-10-001000](#) [803-93-012-10-001000](#) [8-1437020-4](#) [819-22-004-30-001101](#) [820-22-006-30-001101](#)  
[820-22-008-30-001101](#) [821-22-002-10-001101](#)