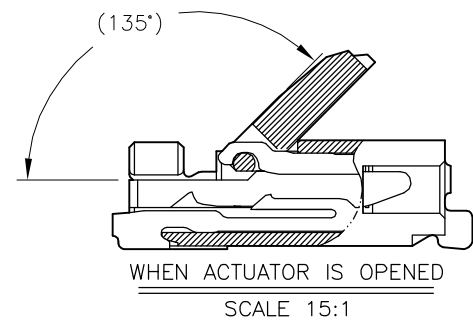
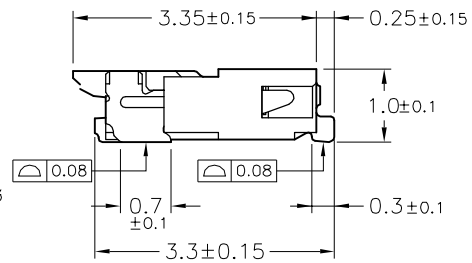
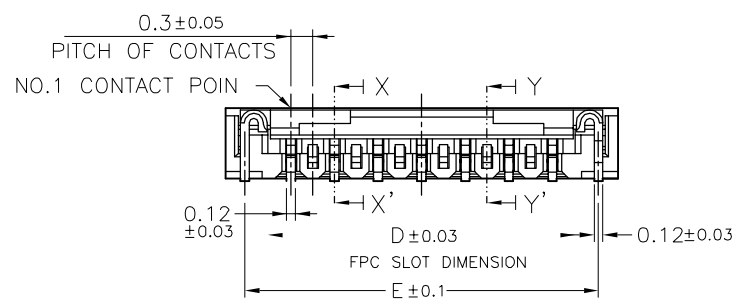
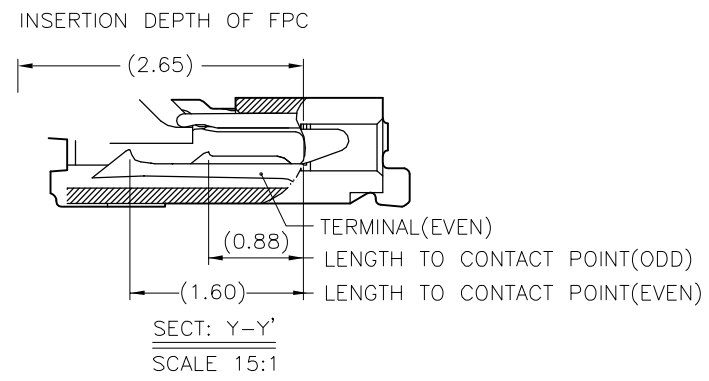
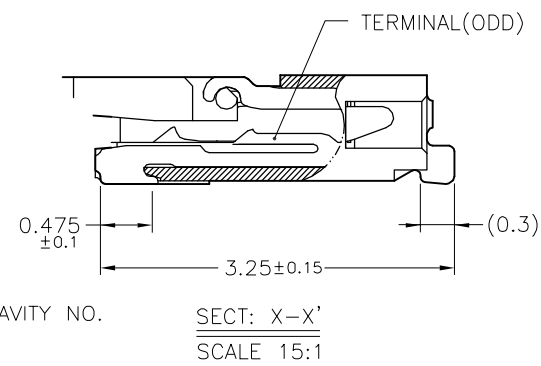
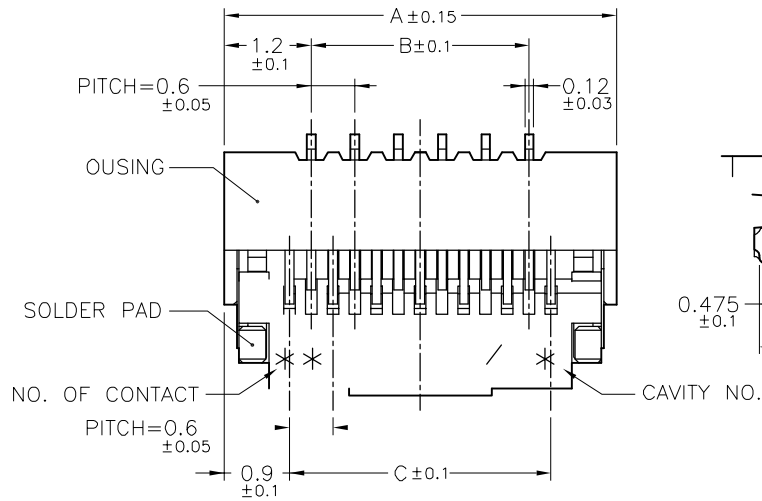


Engineer Drawing



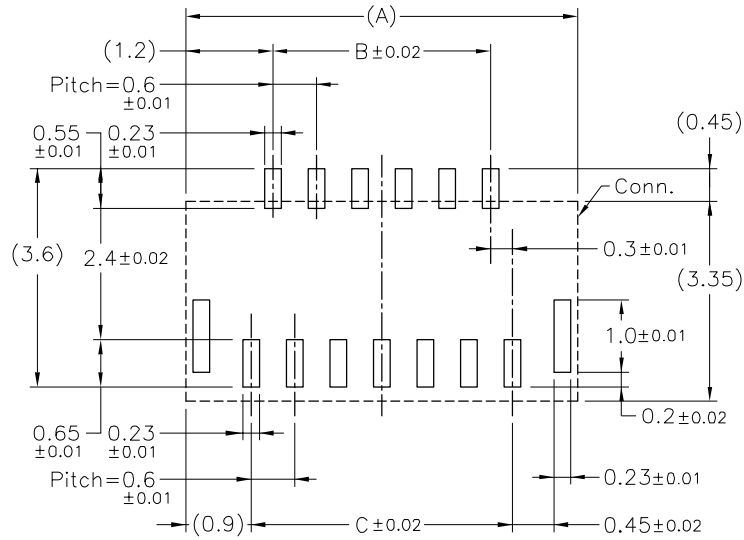
NOTE:
 1.MATERIAL:
 HOUSING:LCP(UL 94V-0)
 ACTUATOR:LCP(UL 94V-0)
 TERMINAL:PHOSPHOR BRONZE
 STOPPER:PHOSPHOR BRONZE
 2.PLATING:
 TERMINAL:SEE ORDERING INFORMATION
 STOPPER:TIN OVER NICKEL(LEAD FREE)
 3.RATING:
 OPERATING VOLTAGE:30V
 CURRENT RATING:0.2A
 OPERATING TEMPERATURE:-55°C ~ +85°C

NO. OF CONTACTS	PART NUMBER	DIM. A	DIM. B	DIM. C	DIM. D	DIM. E
09	09RL	4.2	1.8	2.4	3.03	3.7
11	11RL	4.8	2.4	3.0	3.63	4.3
13	13RL	5.4	3.0	3.6	4.23	4.9
15	15RL	6.0	3.6	4.2	4.83	5.5
17	17RL	6.6	4.2	4.8	5.43	6.1
19	19RL	7.2	4.8	5.4	6.03	6.7
21	21RL	7.8	5.4	6.0	6.63	7.3
23	23RL	8.4	6.0	6.6	7.23	7.9
25	25RL	9.0	6.6	7.2	7.83	8.5
27	27RL	9.6	7.2	7.8	8.43	9.1
29	29RL	10.2	7.8	8.4	9.03	9.7
31	31RL	10.8	8.4	9.0	9.63	10.3
33	33RL	11.4	9.0	9.6	10.23	10.9
35	35RL	12.0	9.6	10.2	10.83	11.5
37	37RL	12.6	10.2	10.8	11.43	12.1
39	39RL	13.2	10.8	11.4	12.03	12.7
41	41RL	13.8	11.4	12.0	12.63	13.3
43	43RL	14.4	12.0	12.6	13.23	13.9
45	45RL	15.0	12.6	13.2	13.83	14.5
49	49RL	16.2	13.8	14.4	15.03	15.7
51	51RL	16.8	14.4	15.0	15.63	16.3
57	57RL	18.6	16.2	16.8	17.43	18.1
61	61RL	19.8	17.4	18.0	18.63	19.3
67	67RL	21.6	19.2	19.8	20.43	21.1
71	71RL	22.8	20.4	21.0	21.63	22.3

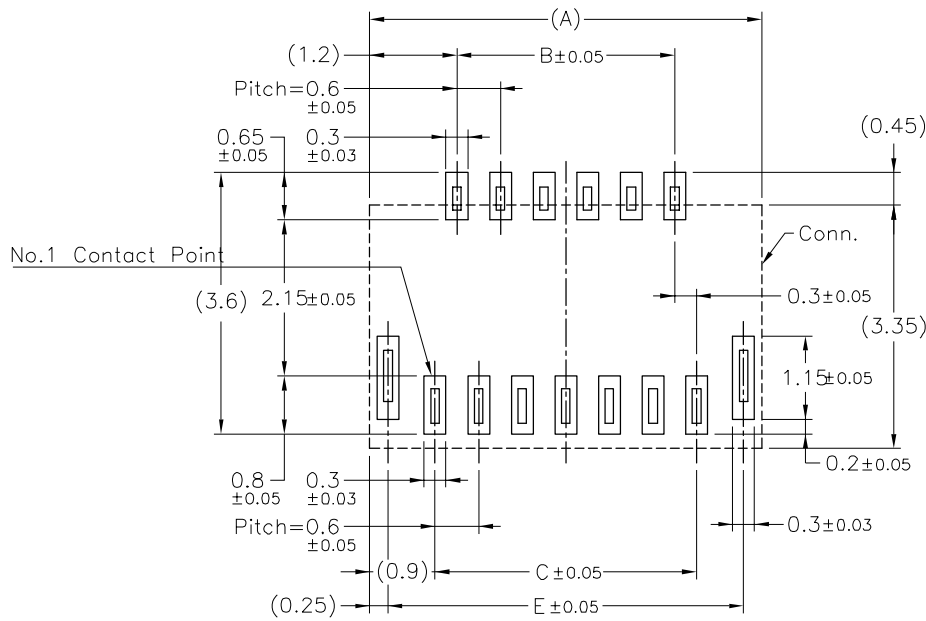
IPFP03101 ** * * * *
 ① Series Type ④ Company code.
 ② Pin code. ⑤ Packing
 ③ Plating ⑥ Lead Free HF

TOLERANCE $X \pm 0.5$ $XX \pm 0.12$ $X \pm 0.25$ $.XXX \pm 0.05$ ANGLES $\pm 3^\circ$			www.i-ncp.com			
	PART NO. IPFP03101 xx		TITLE: 0.3mm Pitch FPC Conn E/O (H=1.0)			
	DRAWING NO. IPFP03101					
UNLESS OTHERWISE SPECIFIED			SHEET 1 OF 3	UNITS mm	SCALE 1:1	REV. 01

Engineer Drawing



RECOMMENDED METAL MASK PATTERN



FPC/FFC INSERT DIRECTION
PCB LAYOUT

NO. OF CONTACTS	PART NUMBER	DIM. A	DIM. B	DIM. C	DIM. E
09	09RL	4.2	1.8	2.4	3.7
11	11RL	4.8	2.4	3.0	4.3
13	13RL	5.4	3.0	3.6	4.9
15	15RL	6.0	3.6	4.2	5.5
17	17RL	6.6	4.2	4.8	6.1
19	19RL	7.2	4.8	5.4	6.7
21	21RL	7.8	5.4	6.0	7.3
23	23RL	8.4	6.0	6.6	7.9
25	25RL	9.0	6.6	7.2	8.5
27	27RL	9.6	7.2	7.8	9.1
29	29RL	10.2	7.8	8.4	9.7
31	31RL	10.8	8.4	9.0	10.3
33	33RL	11.4	9.0	9.6	10.9
35	35RL	12.0	9.6	10.2	11.5
37	37RL	12.6	10.2	10.8	12.1
39	39RL	13.2	10.8	11.4	12.7
41	41RL	13.8	11.4	12.0	13.3
43	43RL	14.4	12.0	12.6	13.9
45	45RL	15.0	12.6	13.2	14.5
49	49RL	16.2	13.8	14.4	15.7
51	51RL	16.8	14.4	15.0	16.3
57	57RL	18.6	16.2	16.8	18.1
61	61RL	19.8	17.4	18.0	19.3
67	67RL	21.6	19.2	19.8	21.1
71	71RL	22.8	20.4	21.0	22.3

TOLERANCE

X ± 0.5 XX ± 0.12
X ± 0.25 XXX ± 0.05
ANGLES ± 3'

UNLESS OTHERWISE SPECIFIED

NCP

www.i-ncp.com

PART NO.
IPFP03101 xx
DRAWING NO.
IPFP03101

TITLE:
0.3mm Pitch FPC Conn E/O (H=1.0)



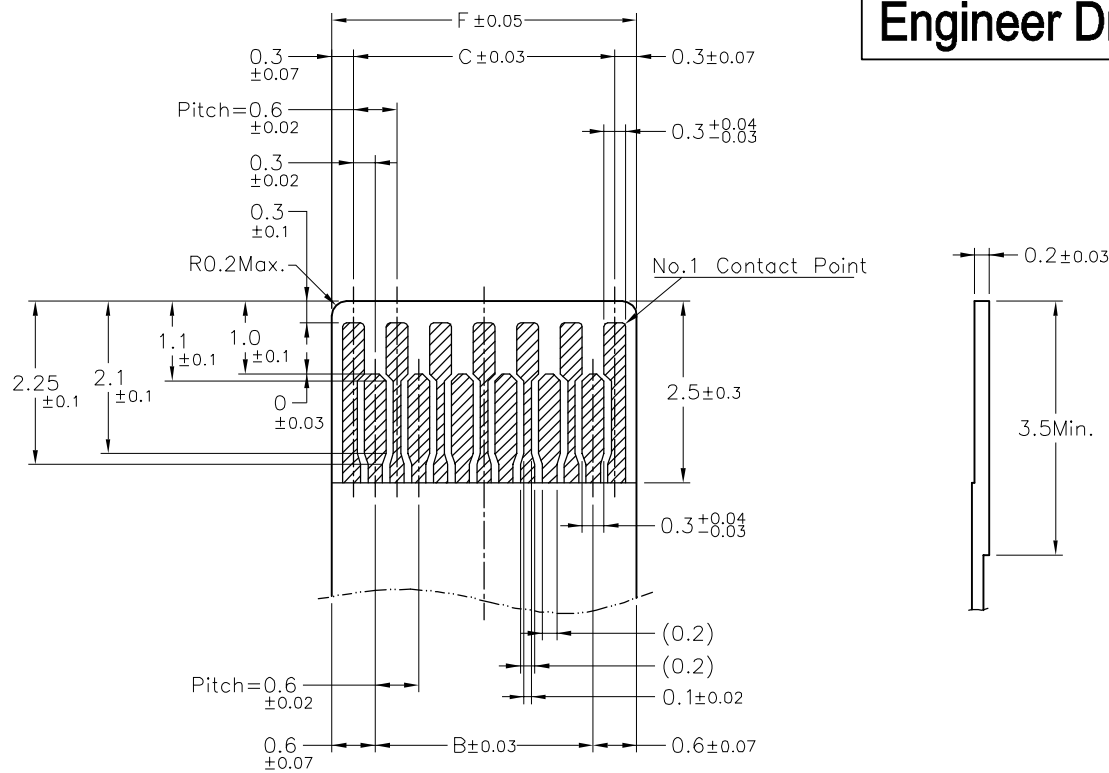
SHEET 2 OF 3

UNITS mm

SCALE 1:1

REV. 01

Engineer Drawing



APPLICABLE FPC

NO. OF CONTACTS	PART NUMBER	DIM. A	DIM. B	DIM. C	DIM. E
09	09RL	4.2	1.8	2.4	3.7
11	11RL	4.8	2.4	3.0	4.3
13	13RL	5.4	3.0	3.6	4.9
15	15RL	6.0	3.6	4.2	5.5
17	17RL	6.6	4.2	4.8	6.1
19	19RL	7.2	4.8	5.4	6.7
21	21RL	7.8	5.4	6.0	7.3
23	23RL	8.4	6.0	6.6	7.9
25	25RL	9.0	6.6	7.2	8.5
27	27RL	9.6	7.2	7.8	9.1
29	29RL	10.2	7.8	8.4	9.7
31	31RL	10.8	8.4	9.0	10.3
33	33RL	11.4	9.0	9.6	10.9
35	35RL	12.0	9.6	10.2	11.5
37	37RL	12.6	10.2	10.8	12.1
39	39RL	13.2	10.8	11.4	12.7
41	41RL	13.8	11.4	12.0	13.3
43	43RL	14.4	12.0	12.6	13.9
45	45RL	15.0	12.6	13.2	14.5
49	49RL	16.2	13.8	14.4	15.7
51	51RL	16.8	14.4	15.0	16.3
57	57RL	18.6	16.2	16.8	18.1
61	61RL	19.8	17.4	18.0	19.3
67	67RL	21.6	19.2	19.8	21.1
71	71RL	22.8	20.4	21.0	22.3

TOLERANCE

X ± 0.5 XX ± 0.12
 X ± 0.25 XXX ± 0.05
 ANGLES ± 3'

UNLESS OTHERWISE SPECIFIED

NCP

www.i-ncp.com

PART NO.
IPFP03101 xx
 DRAWING NO.
IPFP03101

TITLE:
0.3mm Pitch FPC Conn E/O (H=1.0)



SHEET 3 OF 3

UNITS mm

SCALE 1:1

REV. 01

X-ON Electronics

Largest Supplier of Electrical and Electronic Components

Click to view similar products for [FFC & FPC Connectors](#) category:

Click to view products by [INCP](#) manufacturer:

Other Similar products are found below :

[00-6200-227-022-800](#) [006205250500825+](#) [006205280500825+](#) [FPH-1602G](#) [52610-1275](#) [XF3M\(1\)-1415-1B-R100](#) [501864-3091-TR225](#)
[086222026001800](#) [52610-0675](#) [62674-201121DLF](#) [62684-36210E9ALF](#) [52746-1671-TR250](#) [10051922-2810EHLF](#) [686322124422](#) [XF3M-](#)
[2915-1B-R100](#) [AYF353125A](#) [AYF530665TA](#) [AYF534065TA](#) [20FLH-RSM1-TB](#) [AYF351525](#) [086212040340800+](#) [AYF530365TA](#) [67000-](#)
[004LF](#) [006207341915000+](#) [207356-1](#) [67000-003LF](#) [SFW12R-5STE9LF](#) [SFW18R-1STAE9LF](#) [SFW4R-5STE9LF](#) [52807-0430](#)
[046283021002868+](#) [502250-8027](#) [104267-9617](#) [66987-011LF](#) [HFW8S-2STAE1HLF](#) [67000-008LF](#) [HFW22R-2STE1H1LF](#) [0781271110](#)
[0781272410](#) [0781272810](#) [5019511030](#) [FH28K-40S-0.5SH](#) [200528-0260](#) [5039084120](#) [503908-5120](#) [SFW20R-1STGE5LF](#) [FH12-18S-0.5SH](#)
[686116183522](#) [686114183522](#) [502078-5362](#)