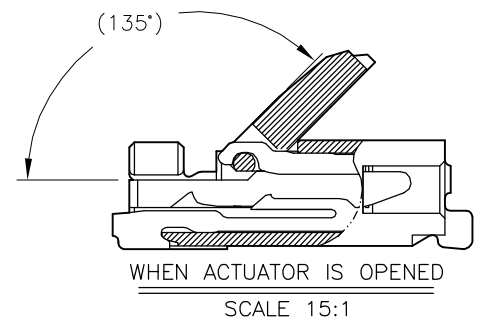
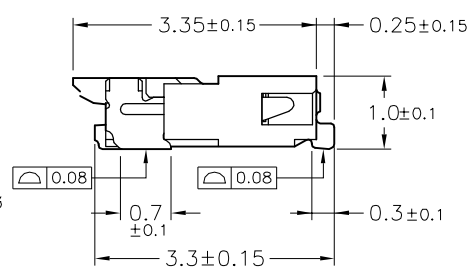
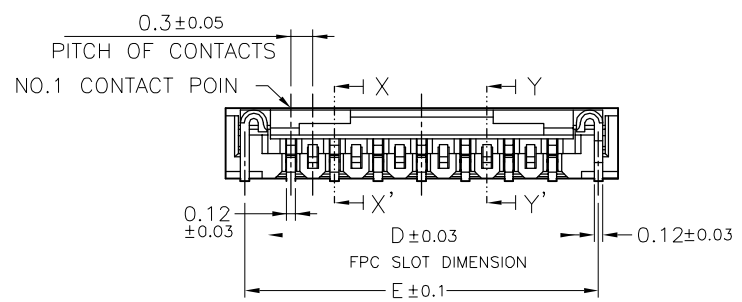
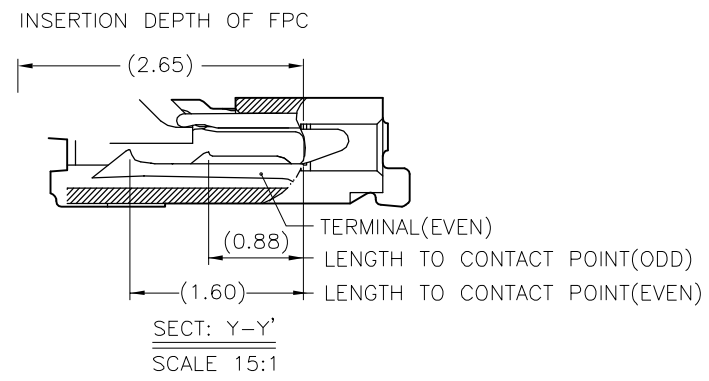
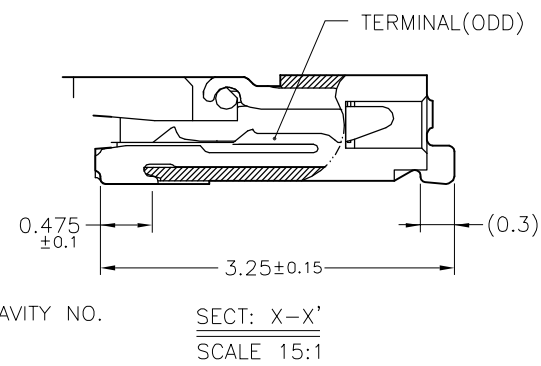
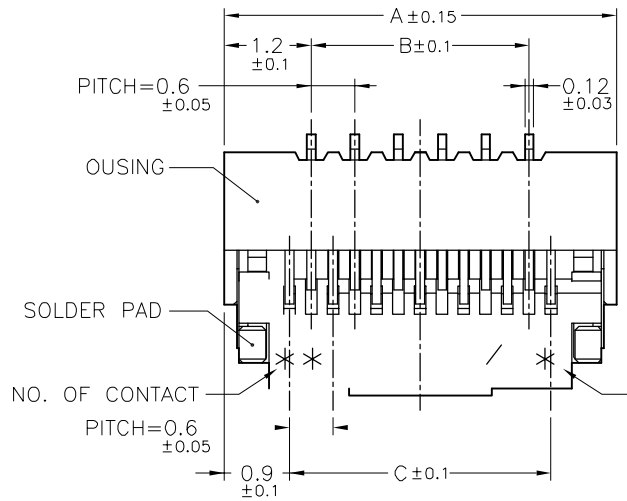


# Engineer Drawing



NOTE:

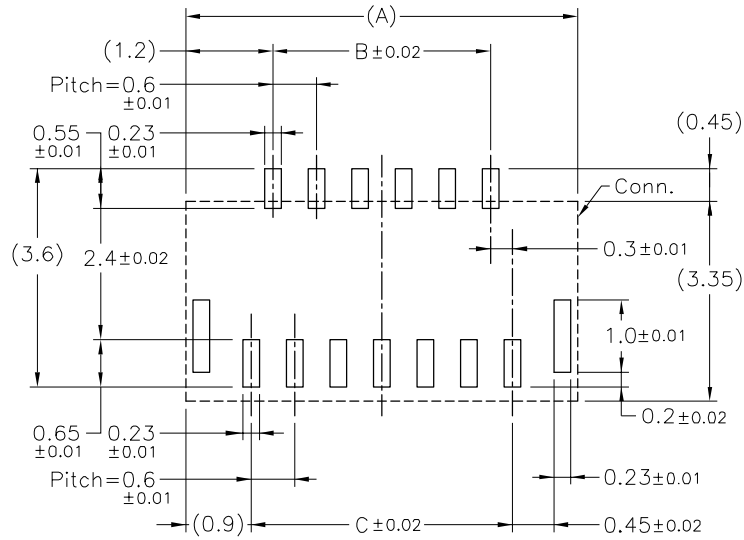
- MATERIAL:  
 HOUSING:LCP(UL 94V-0)  
 ACTUATOR:LCP(UL 94V-0)  
 TERMINAL:PHOSPHOR BRONZE  
 STOPPER:PHOSPHOR BRONZE
- PLATING:  
 TERMINAL:SEE ORDERING INFORMATION  
 STOPPER:TIN OVER NICKEL(LEAD FREE)
- RATING:  
 OPERATING VOLTAGE:30V  
 CURRENT RATING:0.2A  
 OPERATING TEMPERATURE:-55°C ~ +85°C

| NO. OF CONTACTS | PART NUMBER | DIM. A | DIM. B | DIM. C | DIM. D | DIM. E |
|-----------------|-------------|--------|--------|--------|--------|--------|
| 09              | 09RL        | 4.2    | 1.8    | 2.4    | 3.03   | 3.7    |
| 11              | 11RL        | 4.8    | 2.4    | 3.0    | 3.63   | 4.3    |
| 13              | 13RL        | 5.4    | 3.0    | 3.6    | 4.23   | 4.9    |
| 15              | 15RL        | 6.0    | 3.6    | 4.2    | 4.83   | 5.5    |
| 17              | 17RL        | 6.6    | 4.2    | 4.8    | 5.43   | 6.1    |
| 19              | 19RL        | 7.2    | 4.8    | 5.4    | 6.03   | 6.7    |
| 21              | 21RL        | 7.8    | 5.4    | 6.0    | 6.63   | 7.3    |
| 23              | 23RL        | 8.4    | 6.0    | 6.6    | 7.23   | 7.9    |
| 25              | 25RL        | 9.0    | 6.6    | 7.2    | 7.83   | 8.5    |
| 27              | 27RL        | 9.6    | 7.2    | 7.8    | 8.43   | 9.1    |
| 29              | 29RL        | 10.2   | 7.8    | 8.4    | 9.03   | 9.7    |
| 31              | 31RL        | 10.8   | 8.4    | 9.0    | 9.63   | 10.3   |
| 33              | 33RL        | 11.4   | 9.0    | 9.6    | 10.23  | 10.9   |
| 35              | 35RL        | 12.0   | 9.6    | 10.2   | 10.83  | 11.5   |
| 37              | 37RL        | 12.6   | 10.2   | 10.8   | 11.43  | 12.1   |
| 39              | 39RL        | 13.2   | 10.8   | 11.4   | 12.03  | 12.7   |
| 41              | 41RL        | 13.8   | 11.4   | 12.0   | 12.63  | 13.3   |
| 43              | 43RL        | 14.4   | 12.0   | 12.6   | 13.23  | 13.9   |
| 45              | 45RL        | 15.0   | 12.6   | 13.2   | 13.83  | 14.5   |
| 49              | 49RL        | 16.2   | 13.8   | 14.4   | 15.03  | 15.7   |
| 51              | 51RL        | 16.8   | 14.4   | 15.0   | 15.63  | 16.3   |
| 57              | 57RL        | 18.6   | 16.2   | 16.8   | 17.43  | 18.1   |
| 61              | 61RL        | 19.8   | 17.4   | 18.0   | 18.63  | 19.3   |
| 67              | 67RL        | 21.6   | 19.2   | 19.8   | 20.43  | 21.1   |
| 71              | 71RL        | 22.8   | 20.4   | 21.0   | 21.63  | 22.3   |

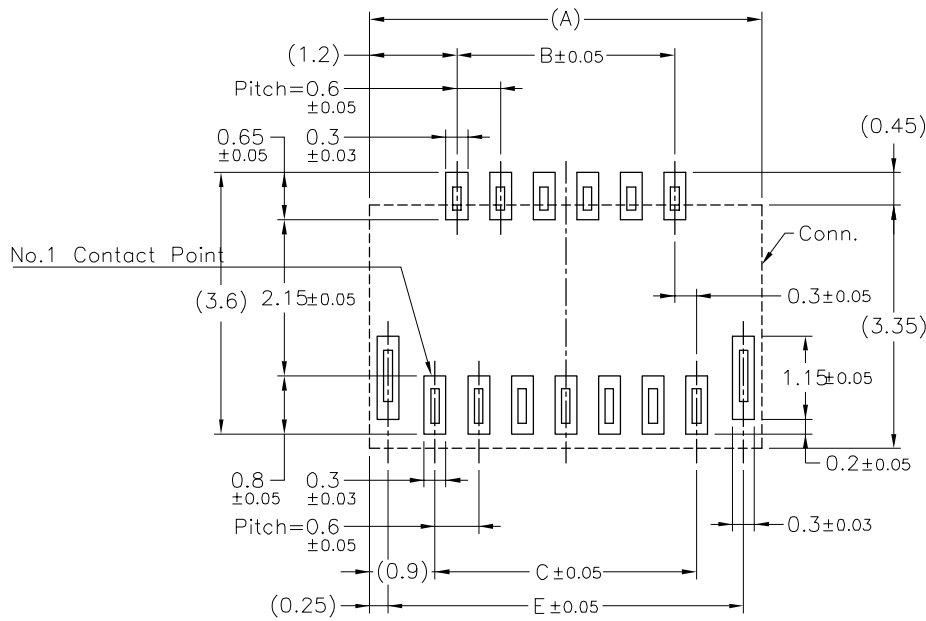
**IPFP03101 \*\* \* \* \* \***  
 ① Series Type      ④ Company code.  
 ② Pin code.        ⑤ Packing  
 ③ Plating            ⑥ Lead Free HF

|   |                          |  |                                  |
|---|--------------------------|--|----------------------------------|
| TOLERANCE<br>$X \pm 0.5$ $XX \pm 0.12$<br>$X \pm 0.25$ $XXX \pm 0.05$<br>ANGLES $\pm 3^\circ$ |                          | <a href="http://www.i-ncp.com">www. i-ncp. com</a> |                                  |
|   | PART NO.<br>IPFP03101 xx | TITLE:<br>0.3mm Pitch FPC Conn E/O (H=1.0)         |                                  |
|   | DRAWING NO.<br>IPFP03101 |  |                                  |
| UNLESS OTHERWISE SPECIFIED  |                          | SHEET 1 OF 3                                       | UNITS mm    SCALE 1:1    REV. 01 |

# Engineer Drawing



## RECOMMENDED METAL MASK PATTERN



FPC/FFC INSERT DIRECTION  
PCB LAYOUT

| NO. OF CONTACTS | PART NUMBER | DIM. A | DIM. B | DIM. C | DIM. E |
|-----------------|-------------|--------|--------|--------|--------|
| 09              | 09RL        | 4.2    | 1.8    | 2.4    | 3.7    |
| 11              | 11RL        | 4.8    | 2.4    | 3.0    | 4.3    |
| 13              | 13RL        | 5.4    | 3.0    | 3.6    | 4.9    |
| 15              | 15RL        | 6.0    | 3.6    | 4.2    | 5.5    |
| 17              | 17RL        | 6.6    | 4.2    | 4.8    | 6.1    |
| 19              | 19RL        | 7.2    | 4.8    | 5.4    | 6.7    |
| 21              | 21RL        | 7.8    | 5.4    | 6.0    | 7.3    |
| 23              | 23RL        | 8.4    | 6.0    | 6.6    | 7.9    |
| 25              | 25RL        | 9.0    | 6.6    | 7.2    | 8.5    |
| 27              | 27RL        | 9.6    | 7.2    | 7.8    | 9.1    |
| 29              | 29RL        | 10.2   | 7.8    | 8.4    | 9.7    |
| 31              | 31RL        | 10.8   | 8.4    | 9.0    | 10.3   |
| 33              | 33RL        | 11.4   | 9.0    | 9.6    | 10.9   |
| 35              | 35RL        | 12.0   | 9.6    | 10.2   | 11.5   |
| 37              | 37RL        | 12.6   | 10.2   | 10.8   | 12.1   |
| 39              | 39RL        | 13.2   | 10.8   | 11.4   | 12.7   |
| 41              | 41RL        | 13.8   | 11.4   | 12.0   | 13.3   |
| 43              | 43RL        | 14.4   | 12.0   | 12.6   | 13.9   |
| 45              | 45RL        | 15.0   | 12.6   | 13.2   | 14.5   |
| 49              | 49RL        | 16.2   | 13.8   | 14.4   | 15.7   |
| 51              | 51RL        | 16.8   | 14.4   | 15.0   | 16.3   |
| 57              | 57RL        | 18.6   | 16.2   | 16.8   | 18.1   |
| 61              | 61RL        | 19.8   | 17.4   | 18.0   | 19.3   |
| 67              | 67RL        | 21.6   | 19.2   | 19.8   | 21.1   |
| 71              | 71RL        | 22.8   | 20.4   | 21.0   | 22.3   |

### TOLERANCE

X ±0.5    XX ±0.12  
X ±0.25    XXX ±0.05  
ANGLES    ±3'

**NCP**

[www.i-ncp.com](http://www.i-ncp.com)

PART NO.  
IPFP03101 xx  
DRAWING NO.  
IPFP03101

TITLE:  
0.3mm Pitch FPC Conn E/O (H=1.0)

UNLESS OTHERWISE SPECIFIED



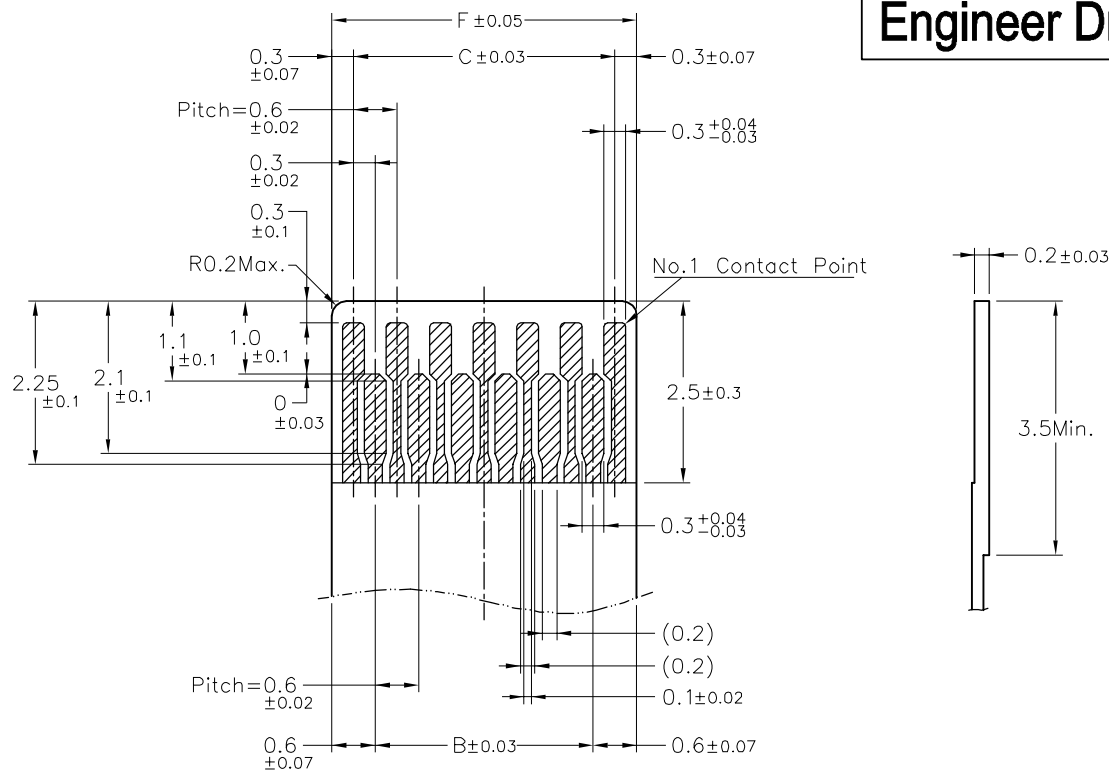
SHEET 2 OF 3

UNITS mm

SCALE 1:1

REV. 01

# Engineer Drawing



APPLICABLE FPC

| NO. OF CONTACTS | PART NUMBER | DIM. A | DIM. B | DIM. C | DIM. E |
|-----------------|-------------|--------|--------|--------|--------|
| 09              | 09RL        | 4.2    | 1.8    | 2.4    | 3.7    |
| 11              | 11RL        | 4.8    | 2.4    | 3.0    | 4.3    |
| 13              | 13RL        | 5.4    | 3.0    | 3.6    | 4.9    |
| 15              | 15RL        | 6.0    | 3.6    | 4.2    | 5.5    |
| 17              | 17RL        | 6.6    | 4.2    | 4.8    | 6.1    |
| 19              | 19RL        | 7.2    | 4.8    | 5.4    | 6.7    |
| 21              | 21RL        | 7.8    | 5.4    | 6.0    | 7.3    |
| 23              | 23RL        | 8.4    | 6.0    | 6.6    | 7.9    |
| 25              | 25RL        | 9.0    | 6.6    | 7.2    | 8.5    |
| 27              | 27RL        | 9.6    | 7.2    | 7.8    | 9.1    |
| 29              | 29RL        | 10.2   | 7.8    | 8.4    | 9.7    |
| 31              | 31RL        | 10.8   | 8.4    | 9.0    | 10.3   |
| 33              | 33RL        | 11.4   | 9.0    | 9.6    | 10.9   |
| 35              | 35RL        | 12.0   | 9.6    | 10.2   | 11.5   |
| 37              | 37RL        | 12.6   | 10.2   | 10.8   | 12.1   |
| 39              | 39RL        | 13.2   | 10.8   | 11.4   | 12.7   |
| 41              | 41RL        | 13.8   | 11.4   | 12.0   | 13.3   |
| 43              | 43RL        | 14.4   | 12.0   | 12.6   | 13.9   |
| 45              | 45RL        | 15.0   | 12.6   | 13.2   | 14.5   |
| 49              | 49RL        | 16.2   | 13.8   | 14.4   | 15.7   |
| 51              | 51RL        | 16.8   | 14.4   | 15.0   | 16.3   |
| 57              | 57RL        | 18.6   | 16.2   | 16.8   | 18.1   |
| 61              | 61RL        | 19.8   | 17.4   | 18.0   | 19.3   |
| 67              | 67RL        | 21.6   | 19.2   | 19.8   | 21.1   |
| 71              | 71RL        | 22.8   | 20.4   | 21.0   | 22.3   |

**TOLERANCE**

X ± 0.5 XX ± 0.12  
 X ± 0.25 .XXX ± 0.05  
 ANGLES ± 3'

UNLESS OTHERWISE SPECIFIED



[www.i-ncp.com](http://www.i-ncp.com)

PART NO.  
IPFP03101 xx  
 DRAWING NO.  
IPFP03101

TITLE:  
0.3mm Pitch FPC Conn E/O (H=1.0)



SHEET 3 OF 3

UNITS mm

SCALE 1:1

REV. 01

## X-ON Electronics

Largest Supplier of Electrical and Electronic Components

*Click to view similar products for [FFC & FPC Connectors](#) category:*

*Click to view products by [INCP](#) manufacturer:*

Other Similar products are found below :

[00-6200-227-022-800](#) [006205250500825+](#) [006205280500825+](#) [FPH-1602G](#) [52610-1275](#) [XF3M\(1\)-1415-1B-R100](#) [501864-3091-TR225](#)  
[086222026001800](#) [52610-0675](#) [62674-201121DLF](#) [62684-36210E9ALF](#) [52746-1671-TR250](#) [10051922-2810EHLF](#) [686322124422](#) [XF3M-](#)  
[2915-1B-R100](#) [AYF353125A](#) [AYF530665TA](#) [AYF534065TA](#) [20FLH-RSM1-TB](#) [AYF351525](#) [086212040340800+](#) [AYF530365TA](#) [67000-](#)  
[004LF](#) [006207341915000+](#) [207356-1](#) [67000-003LF](#) [SFW12R-5STE9LF](#) [SFW18R-1STAE9LF](#) [SFW4R-5STE9LF](#) [52807-0430](#)  
[046283021002868+](#) [502250-8027](#) [104267-9617](#) [66987-011LF](#) [HFW8S-2STAE1HLF](#) [67000-008LF](#) [HFW22R-2STE1H1LF](#) [0781271110](#)  
[0781272410](#) [0781272810](#) [5019511030](#) [FH28K-40S-0.5SH](#) [200528-0260](#) [5039084120](#) [503908-5120](#) [SFW20R-1STGE5LF](#) [FH12-18S-0.5SH](#)  
[686116183522](#) [686114183522](#) [502078-5362](#)