

## TK 55/TK75 – Polycarbonate – 50 x 52 mm (1.97 x 2.05 in.) / 65 x 50 mm (2.56 x 1.97 in.)

### Standard Features

- **Protection Level:** IP66 (NEMA Type: 4X with gray cover, 12K with transparent cover)
- **Technical:** Smooth Sidewalls  
1 Sidewall Knockout or Integral Cable Gland (5-10mm cable diameter)  
Gray or Clear Transparent Cover
- **Enclosure Materials:** Polycarbonate
- **Gasket Material:** Polyurethane
- **Color:** Light Gray
- **Material Temperature Range:** Polycarbonate  
-40°C to 120°C (-40°F to 248°F)
- **Accessories:** See section below



### TK55 - 50 x 52 mm

### Polycarbonate

Ordering Information	Height mm (in)	Cat. No.	Type	Cover Color	Std. Pk.
☐ Enclosure - smooth sidewall	35 mm (1.38 in)	120-455	PC 55-4-o	gray	5
☐ Enclosure - smooth sidewall	35 mm (1.38 in)	130-455	PC 55-4-to	trans.	5
☐ Enclosure - metric knockout	35 mm (1.38 in)	127-455	PC 55-4-m	gray	5
☐ Enclosure - metric knockout	35 mm (1.38 in)	137-455	PC 55-4-tm	trans.	5
☐ Enclosure - Integral Cable Gland	35 mm (1.38 in)	129-455	PC 55-4-v	gray	5
☐ Enclosure - Integral Cable Gland	35 mm (1.38 in)	139-455	PC 55-4-tv	trans.	5

### TK75 - 65 x 50 mm

### Polycarbonate

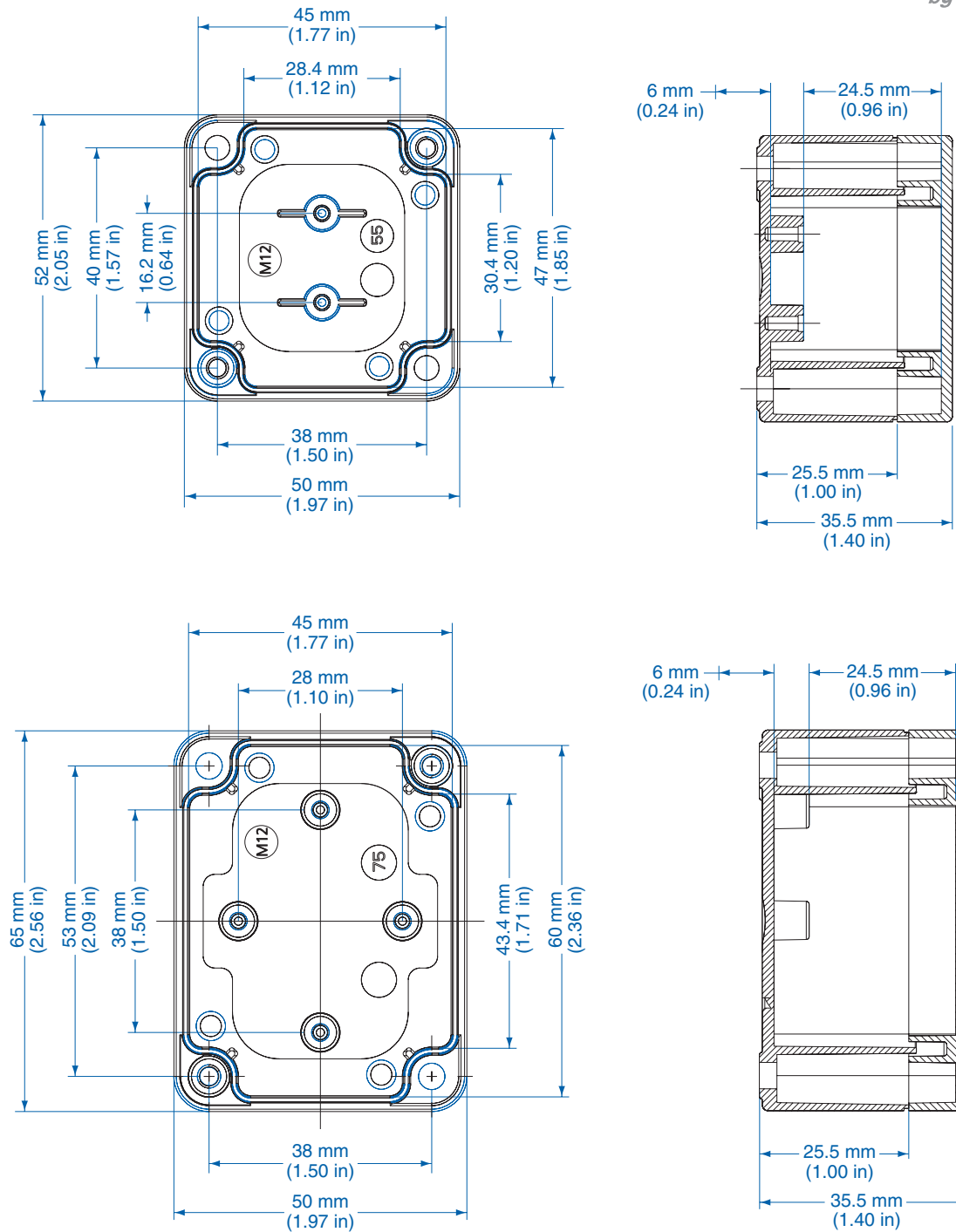
Ordering Information	Height mm (in)	Cat. No.	Type	Cover Color	Std. Pk.
☐ Enclosure - smooth sidewall	35 mm (1.38 in)	120-475	PC 75-4-o	gray	5
☐ Enclosure - smooth sidewall	35 mm (1.38 in)	130-475	PC 75-4-to	trans.	5
☐ Enclosure - metric knockout	35 mm (1.38 in)	127-475	PC 75-4-m	gray	5
☐ Enclosure - metric knockout	35 mm (1.38 in)	137-475	PC 75-4-tm	trans.	5
☐ Enclosure - Integral Cable Gland	35 mm (1.38 in)	129-475	PC 75-4-v	gray	5
☐ Enclosure - Integral Cable Gland	35 mm (1.38 in)	139-475	PC 75-4-tv	trans.	5
☐ Enclosure - 2 x Integral Cable Gland	35 mm (1.38 in)	128-475	PC 75-4-2v	gray	5
☐ Enclosure - 2 x Integral Cable Gland	35 mm (1.38 in)	138-475	PC 75-4-2tv	trans.	5

### Accessories

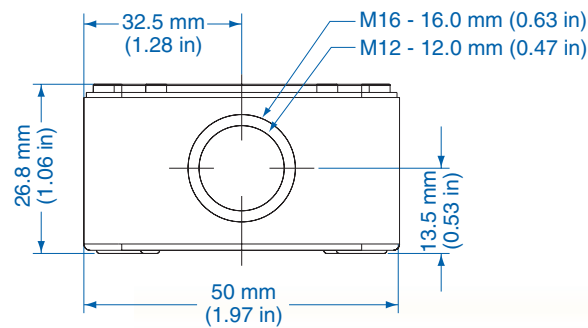
Ordering Information	Cat. No.	Type	Std. Pk.
Mounting Plate (TK55)	195-055	TKMPI-55	5
Mounting Plate (TK75)	195-075	TKMPI-75	5
PCB Bracket	194-110	MP/LPH	2
Mounting Bracket	194-002	MB	1

Please refer to pages 149-152 for additional accessories and detailed information.

Dimensions



**Knockout Positions**  
(one side only)



## X-ON Electronics

Largest Supplier of Electrical and Electronic Components

*Click to view similar products for [Electrical Enclosures](#) category:*

*Click to view products by [Altech](#) manufacturer:*

Other Similar products are found below :

[120-902](#) [120-905](#) [120-403](#) [120-475](#) [120-901](#) [127-410](#) [130-007](#) [130-504](#) [130-506](#) [MR-25L+](#) [30-8739](#) [PIP-11774SCREW](#) [30-9715](#) [MR-25LW+](#) [110-407](#) [111-004](#) [111-008](#) [110-402](#) [110-901](#) [110-907](#) [111-002](#) [110-406](#) [110-910](#) [110-404](#) [110-409](#) [110-410](#) [120-405](#) [106-009](#) [106-505](#) [105-401](#) [106-006](#) [104-406](#) [137-002](#) [105-405](#) [111-005](#) [127-909](#) [106-502](#) [130-475](#) [130-503](#) [127-401](#) [106-010](#) [127-455](#) [127-475](#) [110-903](#) [R260-180-300](#) [9511020](#) [9822029](#) [9820014](#) [P61603000P](#) [9823009](#)