

TK 77 – Polystyrene and Polycarbonate – 65 x 65 mm (2.56 x 2.56 in.)

Standard Features

- **Protection Level:** IP66 (NEMA Type: 4X with gray cover, 12K with transparent cover)
- **Technical:** Smooth or Knockout Sidewalls
Gray or Tinted Transparent Cover
Multiple Enclosure Mounting Options
- **UL Recognized**
Enclosure Materials: Polystyrene or Polycarbonate
- **Gasket Material:** Polyurethane
- **Color:** Light Gray
- **Material**
Temperature Range: Polystyrene
-40°C to 70°C (-40°F to 158°F)
Polycarbonate
-40°C to 120°C (-40°F to 248°F)
- **Accessories:** See section below



Smooth Sidewalls

Ordering Information	Height mm (in)	Polystyrene				Polycarbonate			
		Cat. No.	Type	Cover Color	Std. Pk.	Cat. No.	Type	Cover Color	Std. Pk.
☐ Enclosure - low cover	57 mm (2.24 in)	110-401	PS 77-6-o	gray	5	120-401	PC 77-6-o	gray	5
☐ Enclosure - high cover	81 mm (3.19 in)	110-901	PS 77-8-o	gray	5	120-901	PC 77-8-o	gray	5
☐ Enclosure - low cover	57 mm (2.24 in)	111-001	PS 77-6-to	trans.	5	130-001	PC 77-6-to	trans.	5
☐ Enclosure - high cover	81 mm (3.19 in)	111-501	PS 77-8-to	trans.	5	130-501	PC 77-8-to	trans.	5

Sidewalls with Metric Knockouts

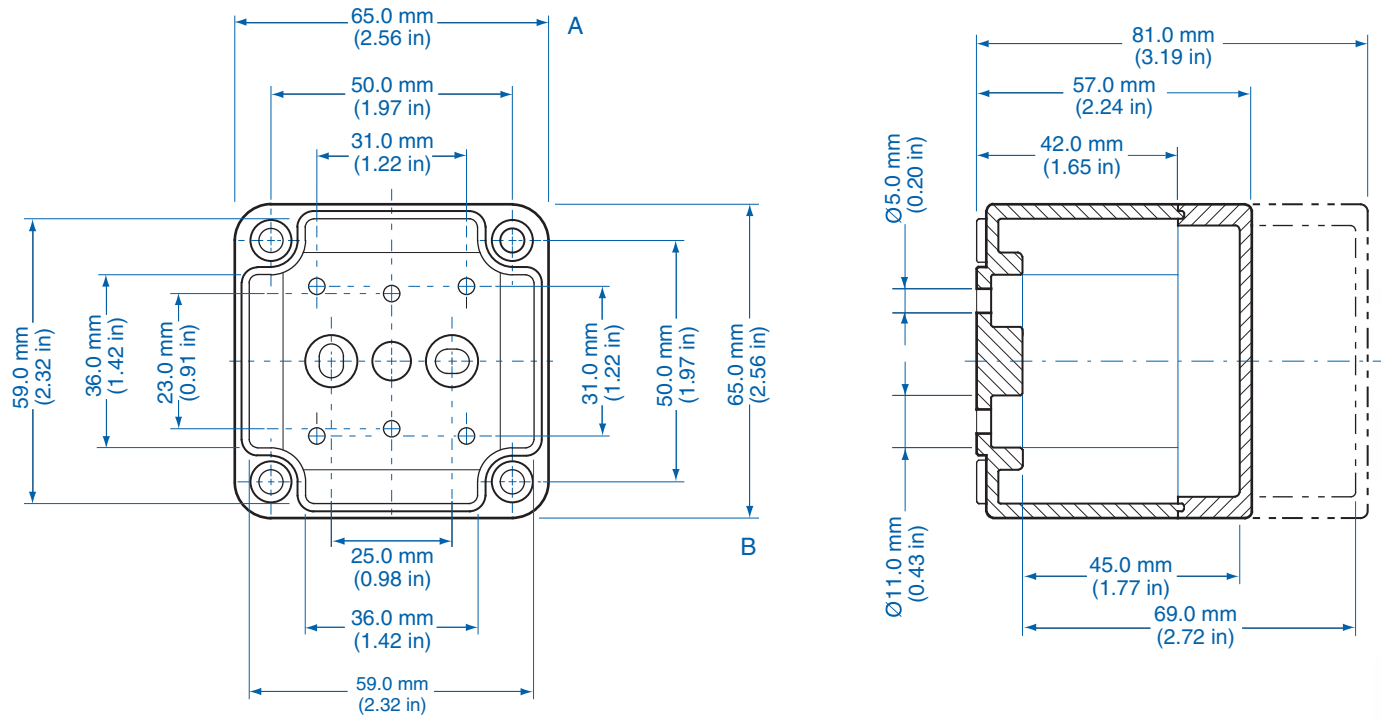
Ordering Information	Height mm (in)	Polystyrene				Polycarbonate			
		Cat. No.	Type	Cover Color	Std. Pk.	Cat. No.	Type	Cover Color	Std. Pk.
☐ Enclosure - low cover	57 mm (2.24 in)	105-401	PS 77-6-m	gray	5	127-401	PC 77-6-m	gray	5
☐ Enclosure - high cover	81 mm (3.19 in)	105-901	PS 77-8-m	gray	5	127-901	PC 77-8-m	gray	5
☐ Enclosure - low cover	57 mm (2.24 in)	106-001	PS 77-6-tm	trans.	5	137-001	PC 77-6-tm	trans.	5
☐ Enclosure - high cover	81 mm (3.19 in)	106-501	PS 77-8-tm	trans.	5	137-501	PC 77-8-tm	trans.	5

Accessories

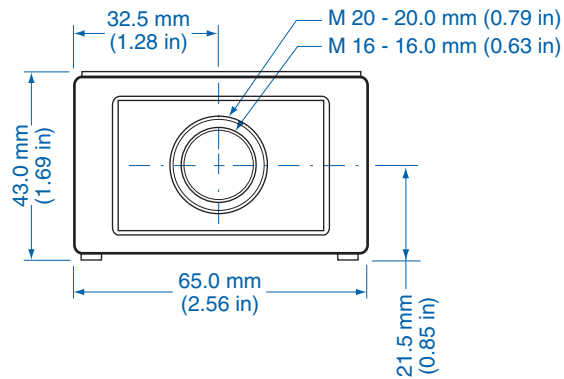
Ordering Information	Cat. No.	Type	Std. Pk.
Mounting Plate (plastic)	195-001	TKMPI-77	1
Mounting Plate (steel)	197-001	TKMPS-77	1
DIN Rail TS15-49.5mm	197-049	TS 15/49.5	1
Hinge Kit Set	190-002	HK1	1
Mounting Tab Kit	194-001	MT1	1

Please refer to pages 149-152 for additional accessories and detailed information.

Dimensions



Knockout Positions
(all 4 sides)



X-ON Electronics

Largest Supplier of Electrical and Electronic Components

Click to view similar products for [Electrical Enclosures](#) category:

Click to view products by [Altech](#) manufacturer:

Other Similar products are found below :

[120-902](#) [120-905](#) [120-403](#) [120-475](#) [120-901](#) [127-410](#) [130-007](#) [130-504](#) [130-506](#) [MR-25L+](#) [30-8739](#) [PIP-11774SCREW](#) [30-9715](#) [MR-25LW+](#) [110-407](#) [111-004](#) [111-008](#) [110-402](#) [110-901](#) [110-907](#) [111-002](#) [110-406](#) [110-910](#) [110-404](#) [110-409](#) [110-410](#) [120-405](#) [106-009](#) [106-505](#) [105-401](#) [106-006](#) [104-406](#) [137-002](#) [105-405](#) [111-005](#) [127-909](#) [106-502](#) [130-475](#) [130-503](#) [127-401](#) [106-010](#) [127-455](#) [127-475](#) [110-903](#) [R260-180-300](#) [9511020](#) [9822029](#) [9820014](#) [P61603000P](#) [9823009](#)