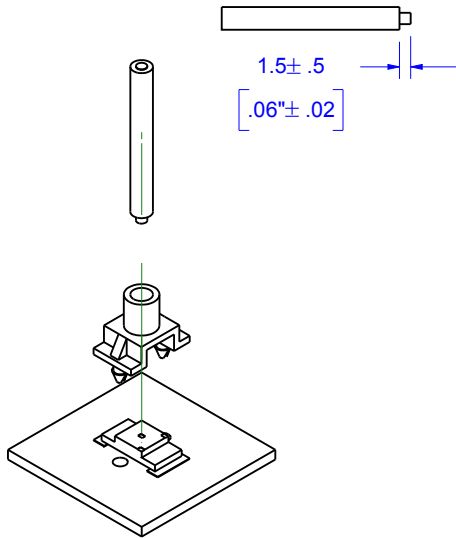


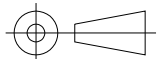
© COPYRIGHT 2014 BY INDUSTRIAL FIBER OPTICS, INC.
ALL RIGHTS RESERVED.

LIGHT PIPE PREPARATION / INSTALLATION:



NOTES:

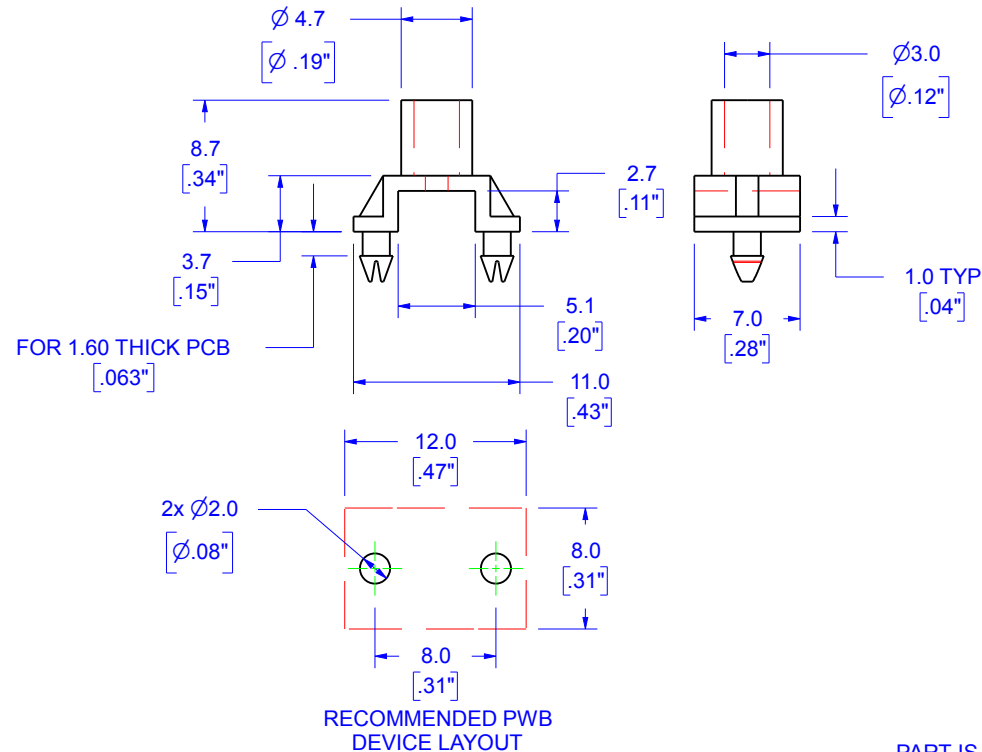
1. ROHS COMPLIANT
2. UL 94V-2 FLAMMABILITY RATING
3. -40°C TO 85°C OPERATING TEMPERATURE
4. SUITABLE FOR LIGHT PIPE WITH $\varnothing 3.0\text{mm}$ JACKET AND OPTICAL CORE NO GREATER THAN $\varnothing 1.5\text{mm}$
5. DO NOT INSTALL PRIOR TO SOLDERING
6. FOR BEST RESULTS USE ONLY NARROW VIEWING ANGLE NON-DIFFUSED LEDS WITH OUTPUT POWER GREATER THAN 100mcd
7. NOT RECOMMENDED FOR DATA COMMUNICATIONS



METRIC

REVISIONS

REV	DESCRIPTION	ECO	DATE	DWN	APVD
A	Initial release		11/12/2008	BB	RD
B	Revised strip length from 1.0 ± .25	0034	9/17/2009	BB	KS
B1	Redrew, added overall dimensions		7/21/2014	BB	WR



PART IS MADE OF BLACK NYLON

UNLESS OTHERWISE SPECIFIED DIMENSIONS MILLIMETERS [IN.]	PRODUCT	51 0411	Industrial Fiber Optics TEMPE, AZ 85281		
	MATERIAL	Nylon 66			
DIMENSIONS ARE FOR REFERENCE ONLY NO TOLERANCES MAY BE IMPLIED FROM THIS DOCUMENT	FINISH	None	NAME SMT LED to Light Pipe		
	DRAWN BY	B. Bidwell	SIZE	SCALE	PART NUMBER
	DATE	7/22/2014	A	2:1	51 0311
	CHECKED BY	W. Rowe			REV
	DATE	7/22/2014			B1
			DO NOT SCALE DRAWING		Sheet 1 of 1

X-ON Electronics

Largest Supplier of Electrical and Electronic Components

Click to view similar products for [industrial fiberoptics manufacturer](#):

Other Similar products are found below :

[IF-527](#) [51 0470](#) [510054](#) [51 0420](#) [IF-E92B](#) [IF-FC1](#) [IF 635-22-5](#) [IF 101D-0-30](#) [IF-562](#) [IF-PM](#) [IF-E22](#) [IF-E92A](#) [IF-D98](#) [51 0410](#) [IF-D95OC](#)
[IF-D97](#) [IF-E98](#) [IF-D92](#) [IF-E97](#) [IF-E99B](#) [IF-E93](#) [IF-E96E](#)