



INDUSTRIAL SHIELDS

USER GUIDE

PLC Arduino ARDBOX 20 I/Os Relay HF GPRS / GSM Modbus

GPRS Ardbox 20 I/Os

Relay HF Modbus User Guide



PLC Arduino ARDBOX 20 I/Os Relay HF GPRS / GSM User Guide

Revised August 2019

This user guide is for version PLC Arduino ARDBOX 20 I/Os Relay HF GPRS, with Reference name 006001001300.

Preface

This User Guide is been implemented by Boot & Work, S.L. working under the name Industrial Shields.

Purpose of the manual

The information contained in this manual can be used as a reference to operating, to functions, and to the technical data of the signal modules, power supply modules and interface modules.

Intended Audience

This User Guide is intended for the following audience:

- Persons in charge of introducing automation devices.
- Persons who design automation systems.
- Persons who install or connect automation devices.
- Persons who manage working automation installation.



Warnings:

- Unused pins should not be connected. Ignoring the directive may damage the controller.
- Improper use of this product may severely damage the controller.
- Refer to the controller's User Guide regarding wiring considerations.
- Before using this product, it is the responsibility of the user to read the product's User Guide and all accompanying documentation.
- Maintenance must be performed by qualified personnel familiarized with the construction, operation, and hazards involved with the control.
- Maintenance should be performed with the control out of operation and disconnected from all sources of power.
- Care should be taken when servicing electrostatic sensitive components. The manufacturer's recommendations for these components should be followed.
- The Ardbox Family PLCs are Open Type Controllers. It is required that you install the Ardbox PLC in a housing, cabinet, or electric control room. Entry to the housing, cabinet, or electric control room should be limited to authorized personnel. Failure to follow these installation requirements could result in severe personal injury and/or property damage. Always follow these requirements when Ardbox family PLCs.

- In case of installation or maintenance of the Ardbox please follow the instructions marked in the Installation and Maintenance section.
- Do not disconnect equipment when a flammable or combustible atmosphere is present. Disconnection of equipment when a flammable or combustible atmosphere is present may cause a fire or explosion which could result in death, serious injury and/or property damage.



Avertissements:

- Les broches non utilisées ne doivent pas être connectées. Ignorer la directive peut endommager le contrôleur.
- Une utilisation incorrecte de ce produit peut endommager gravement le contrôleur.
- Reportez-vous au Guide de l'utilisateur du contrôleur pour les considérations de câblage.
- Avant d'utiliser ce produit, il incombe à l'utilisateur de lire le Guide de l'utilisateur du produit et la documentation qui l'accompagne.
- La maintenance doit être effectuée par personnel qualifié familiarisé avec la fabrication, le fonctionnement et les dangers liés au contrôleur.
- La maintenance doit être effectuée avec l'équipement hors service et déconnectée de toutes les sources d'alimentation.
- Faites attention lors de l'entretien des composants sensibles à l'électricité statique. Les recommandations du fabricant pour ces composants doivent être suivies.
- Les automates de la famille Ardbox sont des contrôleurs de type ouvert. Il est nécessaire d'installer l'automate Ardbox dans un boîtier, une armoire ou une salle de contrôle électrique. L'accès au boîtier, à l'armoire ou à la salle de commande électrique doit être limité au personnel autorisé. Le non-respect de ces exigences d'installation peut entraîner des blessures graves et/ou des dommages matériels importants. Respectez toujours ces exigences lors de l'installation des automates de la famille Ardbox.
- En cas d'installation ou de maintenance du Ardbox, veuillez suivre les instructions indiquées dans la section Installation et Maintenance.
- Ne débranchez pas l'équipement en présence d'une atmosphère inflammable ou combustible. La déconnexion de l'équipement en présence d'une atmosphère inflammable ou combustible peut provoquer un incendie ou une explosion pouvant entraîner la mort, des blessures graves et/ou des dommages matériels.

Application Considerations and Warranty

Read and Understand this Manual

Please read and understand this manual before using the product. Please consult your comments or questions to Industrial Shields before using the product.

Application Consideration

THE PRODUCTS CONTAINED IN THIS DOCUMENT ARE NOT SAFETY RATED. THEY SHOULD NOT BE RELIED UPON AS A SAFETY COMPONENT OR PROTECTIVE DEVICE FOR ENSURING SAFETY OF PERSONS, AS THEY ARE NOT RATED OR DESSIGNED FOR SUCH PURPOSES.

Please know and observe all prohibitions of use applicable to the products.

FOR AN APPLICATION INVOLVING SERIOUS RISK TO LIFE OR PROPERTY WITHOUT ENSURING THAT THE SYSTEM AS A WHOLE HAS BEEN DESSIGNED TO ADDRESS THE RISKS, NEVER USE THE INDUSTRIAL SHIELDS PRODUCTS.

NEVER USE THE INDUSTRIAL SHIELDS PRODUCTS BEFORE THEY ARE PROPERLY RATED AND INSTALLED FOR THE INTENDED USE WITHIN THE OVERALL EQUIPMENT OR SYSTEM.

Industrial Shields shall not be responsible for conformity with any codes, regulations or standards that apply to the combination of products in the customer's application or use of the product.

The following are some examples of applications for which particular attention must be given. This is not intended to be an exhaustive list of all possible uses of the products, nor is it intended to imply that the uses may be suitable for the products:

- Systems, machines, and equipment that could present a risk to life or property.
- Nuclear energy control systems, combustion systems, railroad systems, aviation systems, medical equipment, amusement machines, vehicles, safety equipment, and installation subject to separate industry or government regulations.
- Outdoor use, uses involving potential chemical contamination or electrical interference, or conditions or uses not described in this document.

At the customer's request, INDUSTRIAL SHIELDS will provide applicable third party certification documents identifying ratings and limitations of use that apply to the products. This information by itself is not sufficient for a complete determination of the suitability of the products in combination with the system, machine, end product, or other application or use.

Intended use or of Industrial Shields products

Consider the following:

Industrial Shields products should only be used for the cases of application foreseen in the catalogue and the associated technical documentation. If third-party products and components are used, they must have been recommended or approved by Industrial Shields.

The correct and safe operation of the products requires that your transport, storage, installation, assembly, operation and maintenance have been carried out in a correct It must respect the permissible ambient conditions. You should also follow the indications and warnings that appear in the associated documentation.

The product / system dealt with in this documentation should only be handled or manipulated by qualified personnel for the task entrusted and observing what is indicated in the documentation corresponding to it, particularly the safety instructions and warnings included in it. Due to their training and experience, qualified personnel are in a position to recognize risks resulting from the handling or manipulation of such products / systems and to avoid possible hazards.

Disclaimers

Weights and Dimensions

Dimensions and weights are nominal and they are not used for manufacturing purposes, even when tolerances are shown.

Performance Data

The performance data given in this manual is provided as a guide for the user in determining suitability and does not constitute a warranty. It may represent the result of INDUSTRIAL SHIELDS's test conditions, and the users most correlate it to actual application requirements. Actual performance is subject to the INDUSTRIAL SHIELDS Warranty and Limitations of Liability.

Change in Specifications

Product specifications and accessories may be changed at any time based on improvements and other reasons.

It is our practice to change model numbers when features are changed, or published ratings or when significant construction changes are made. However, some specifications of the products may be changed without any notice. When in doubt, special numbers may be assigned to fix or stablish key specifications for your application on your request. Please consult with your INDUSTRIAL SHIELDS representative at any time to confirm actual specifications of purchased products.

Errors and Omissions

The information in this document has been carefully checked and is believed to be accurate; however, no responsibility is assumed for clerical, typographical, or proofreading errors, or omissions.

The control and drive components of an Industrial Shields PLC are approved for industrial and commercial use in industrial line supplies. Their use in public line supplies requires a different configuration and/or additional measures. These components may only be operated in closed housings or in higher-level control cabinets with protective covers that are closed, and when all of the protective devices are used. These components may only be handled by qualified and trained technical personnel who are knowledgeable and observe all of the safety information and instructions on the components and in the associated technical user documentation. When carrying out a risk assessment of a machine in accordance with the EU Machinery Directive, the machine manufacturer must consider the following residual risks associated with the control and drive components of a PDS.

1. Unintentional movements of driven machine components during commissioning, operation, maintenance, and repairs caused by, for example: – Hardware defects and/or software errors in the sensors, controllers, actuators, and connection technology – Response times of the controller and drive – Operating and/or ambient conditions not within the scope of the specification – Condensation / conductive contamination – Parameterization, programming, cabling, and installation errors – Use of radio devices / cellular phones in the immediate vicinity of the controller – External influences / damage.
2. Exceptional temperatures as well as emissions of noise, particles, or gas caused by, for example: – Component malfunctions – Software errors – Operating and/or ambient conditions not within the scope of the specification – External influences / damage.
3. Hazardous shock voltages caused by, for example: – Component malfunctions – Influence of electrostatic charging – Induction of voltages in moving motors – Operating and/or ambient conditions not within the scope of the specification – Condensation / conductive contamination – External influences / damage
4. Electrical, magnetic and electromagnetic fields generated in operation that can pose a risk to people with a pacemaker, implants or metal replacement joints, etc. if they are too close.
5. Release of environmental pollutants or emissions as a result of improper operation of the system and/or failure to dispose of components safely and correctly.

Warranty

Industrial Shields's exclusive warranty is that the products are free from defects in materials and workmanship for a period of one year (or other period if specified) from date of sale by Industrial Shields.

INDUSTRIAL SHIELDS MAKES NO REPRESENTATION OR WARRANTY, EXPRESSED OR IMPLIED, REGARDING MERCHANTABILITY, NON-INFRINGEMENT, OR FITNESS FOR PARTICULAR PURPOSE OF THE PRODUCTS. ANY BUYER OR USER ACKNOWLEDGES THAT THE BUYER OR USER ALONE HAS DETERMINED THAT THE PRODUCTS WILL SUITABLY MEET THE REQUIREMENTS OF THEIR INTENDED USE. INDUSTRIAL SHIELDS DISCLAIMS ALL OTHER WARRANTIES, EXPRESS OR IMPLIED

Limitations of Liability

INDUSTRIAL SHIELDS SHALL NOT BE RESPONSIBLE FOR SPECIAL, INDIRECT, OR CONSEQUENTIAL DAMAGES, LOSS OF PROFITS OR COMERCIAL LOSS IN ANY WAY CONNECTED WITH THE PRODUCTS, WHETHER SUCH CLAIM IS BASED ON CONTRACT, WARRANTY, NEGLIGENCE, OR STRICT LIABILITY.

IN NO EVENT SHALL INDUSTRIAL SHIELDS BE RESPONSIBLE FOR WARRANTY, REPAIR OR OTHER CLAIMS REGARDING THE PRODUCTS UNLESS INDUSTRIAL SHIELDS'S ANALYSIS CONFIRMS THAT THE PRODUCTS WERE PROPERLY HANDLED, STORED, INSTALLED, AND MAINTAINED AND NOT SUBJECT TO CONTAMINATION, ABUSE, MISUSE, OR INAPPROPRIATE MODIFICATION OR REPAIR.

Table of Contents

| | | |
|------|--|----|
| 1. | GPRS Ardbox Relay HF: General Features..... | 10 |
| 2. | Technical Specifications | 11 |
| 2.1 | General Specifications:..... | 11 |
| 2.2 | Performance Specification: | 11 |
| 2.3 | Symbology..... | 12 |
| 3. | Precautions | 13 |
| 3.1 | Arduino Board | 13 |
| 3.2 | Intended Audience | 13 |
| 3.3 | General Precautions..... | 13 |
| 4. | Software interface..... | 13 |
| 5. | How to connect PLC Arduino to PC..... | 16 |
| 6. | How to connect PLC to power supply | 17 |
| 7. | Ardbox Relay HF I/O Pinout: | 19 |
| 7.1 | Zone Connections..... | 19 |
| 8. | Switch configuration | 21 |
| 8.1 | General Switches Configuration..... | 21 |
| 8.2 | RS- 485 Switch configuration | 23 |
| 8.3 | RS-232 Switch configuration | 24 |
| 8.4 | I2C Switch configuration | 24 |
| 9. | Jumper Configuration..... | 25 |
| 10. | Hardware Serial RS-232 & RS-485 Configuration..... | 26 |
| 10.1 | Hardware Serial RS-485..... | 26 |
| 10.2 | Hardware Serial RS-232..... | 27 |
| 11. | GPRS/GSM..... | 28 |
| 12. | Ardbox - Arduino I/Os 5V pins..... | 29 |
| 11.1 | I2C pins – SDA/SCL | 30 |
| 12.1 | 11.2 Pin3..... | 30 |
| 12.2 | 11.3 SPI – MISO/MOSI/SCK | 30 |
| 13. | I/O technical details..... | 30 |
| 14. | Typical Connections | 33 |
| 15. | Connector details | 36 |
| 16. | ARDBOX Family Dimensions:..... | 37 |
| 17. | DIN rail mounting:..... | 37 |
| 18. | Revision Table | 38 |

1. GPRS Ardbox Relay HF: General Features




| COMPACT PLC ARDUINO ARDBOX 20I/Os RELAY HF | | |
|---|--|---|
| Supply Voltage 24 Vcc | Input Voltage | 12 to 24Vdc --- |
| | Input rated voltage | 24 Vdc --- |
| | Rated Power | 30 W |
| | I Max. | 1,5A |
| | Size | 100x45x115 |
| | Clock Speed | 16MHz |
| | Flash Memory | 32KB of which 4KB are used by bootloader |
| | SRAM | 2.5KB |
| | EEPROM | 1KB |
| | Communications | I2C -- USB -- RS232 -- RS485 -- SPI -- TTL -- GPRS |
| | TOTAL Input points | 10 |
| | TOTAL Output points | 10 |
| | An/Dig Input 10bit (0-10Vcc) | 0 to 10Vac Input Impedance: 39K Separated PCB ground Rated Voltage: 10Vac 7 to 24Vdc I min: 2 to 12 mA Galvanic Isolation Rated Voltage: 24 Vdc --- |
| | * Interrupt isolated Input HS (24Vcc) | 7 to 24Vdc I min: 2 to 12 mA Galvanic Isolation Rated Voltage: 24Vdc |
| | Analog Output 8bit (0-10Vcc) | 0 to 10Vac I max: 20 mA Separated PCB ground Rated Voltage: 10Vac --- |
| | Digital Isolated Output (24Vcc) | 5 to 24Vdc I max: 70 mA Galvanic Isolation Diode Protected for Relay Rated Voltage: 24Vdc --- |
| | PWM Isolated Output 8bit (24Vcc) | 5 to 24Vdc I max: 70 mA Galvanic Isolation Diode Protected for Relay Rated Voltage: 24Vdc --- |
| | Expandability | I2C -- RS232 -- RS485 -- SPI -- TTL -- GPRS |
| | Reference | 006001001300 |

I/Os

Digital
Analog
RelayI_{max} 24Vdc: 410 mA**PWM Isolated
Output 8bit (24Vcc)**

2. Technical Specifications

2.1 General Specifications:




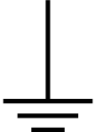




| | | |
|--|-------------------------------------|--|
| Power supply voltage | DC power supply | 12 to 24Vdc  |
| Operating voltage range | DC power supply | 11.4 to 25.4Vdc  |
| Power consumption | DC power supply | 30VAC max. |
| External power supply | Power supply voltage | 24Vdc  |
| | Power supply output capacity | 700 mA |
| Insulation resistance | | 20MΩ min. at 500Vdc between the AC terminals and the protective ground terminal. |
| Dielectric strength | | 2.300 VAC at 50/ 60 Hz for one minute with a leakage current of 10mA max. Between all the external AC terminals and the protective earth terminal. |
| Shock resistance | | 80m/s ² in the X, Y and Z direction 2 times each. |
| Ambient temperature (operating) | | 0° to 60°C |
| Ambient humidity (operating) | | 10% to 90% (no condensation) |
| Ambient environment (operating) | | With no corrosive gas |
| Ambient temperature (storage) | | -20° to 60°C |
| Power supply holding time | | 2ms min. |
| Weight | | 350g max. |

2.2 Performance Specification:

| | |
|--------------------------------|--|
| Arduino Board | ARDUINO LEONARDO |
| Control method | Stored program method |
| I/O control method | Combination of the cyclic scan and immediate refresh processing methods. |
| Programming language | Arduino IDE. Based on wiring (Wiring is an Open Source electronics platform composed of a programming language. "similar to the C". http://arduino.cc/en/Tutorial/HomePage) |
| Microcontroller | ATmega32u4 |
| Flash Memory | 32KB of which 4KB are used by bootloader |
| Program capacity (SRAM) | 2.5KB |
| EEPROM | 1KB |

| | |
|-------------|-------|
| Clock Speed | 16MHz |
|-------------|-------|

2.3 Symbology

| Symbol | Standard No. / Standard Title | Standard Reference No. / Symbol Title | Symbol Meaning |
|---|--|---------------------------------------|--|
|  | IEC 60417 / Graphical symbols for use on equipment | 5031 / Direct Current | Indicates that the equipment is suitable for direct current only; to identify relevant terminals |
|  | IEC 60417 / Graphical symbols for use on equipment | 5032 / Alternating Current | Indicates that the equipment is suitable for alternating current only; to identify relevant terminals |
|  | IEC 60417 / Graphical symbols for use on equipment | 5130 / Pulse General | To identify the control by which a pulse is started. |
|  | IEC 60417 / Graphical symbols for use on equipment | 5017 / Earth, Ground | To identify an earth (ground) terminal in cases where neither the symbol 5018 nor 5019 is explicitly required. |
|  | IEC 60417 / Graphical symbols for use on equipment | 5115 / Signal lamp | To identify the switch by means of which the signal lamp(s) is (are) switched on or off. |
|  | Medical Devices Directive 93/42/EEC | CE Marking | CE marking indicates that a product complies with applicable European Union regulations |
|  | ISO 7000/ Graphical symbols for use on equipment | 0434B / Warning symbol | Indicates a potentially hazardous situation which, if not avoided, could result in death or serious injury |
|  | ISO 7000/ Graphical symbols for use on equipment | 5036 / Dangerous Voltage | To indicate hazards arising from dangerous voltages |

3. Precautions

Read this manual before attempting to use the ARDBOX 20 I/Os Relay HF GPRS and follow its descriptions for reference during operation.

3.1 Arduino Board

The ARDBOX 20 I/Os Relay HF GPRS PLCs include Arduino Leonardo Board as controller.

3.2 Intended Audience

This manual is intended for technicians, which must have knowledge on electrical systems.

3.3 General Precautions

The user must operate Ardbox according to the performance specifications described in this manual.

Before using ARDBOX 20 I/Os Relay HF GPRS under different conditions from what has been specified in this manual or integrating ARDBOX 20 I/Os Relay HF GPRS to nuclear control systems, railroad systems, aviation systems, vehicles, combustion systems, medical equipment, amusement machines, safety equipment and other systems, machines, and equipment that may have a serious influence on lives and property if used improperly, consult your INDUSTRIAL SHIELDS representative. Ensure that the rating and performance characteristics of Ardbox are sufficient for the systems, machines, and equipment, and be sure to provide the systems, machines, and equipment double safety mechanisms. This manual provides information for programming and operating the Ardbox.

4. Software interface

Industrial Shields PLC are programmed using Arduino IDE, which is a software based on the C language. They can also be programmed using directly C but it is much easier working with Arduino IDE as it provides lots of libraries that helps in the programming.

Furthermore Industrial Shields provides boards for programming the PLCs much easier. Basically it is no needed to define the pins and if that pins are inputs or outputs. Everything is set up automatically if using the boards.

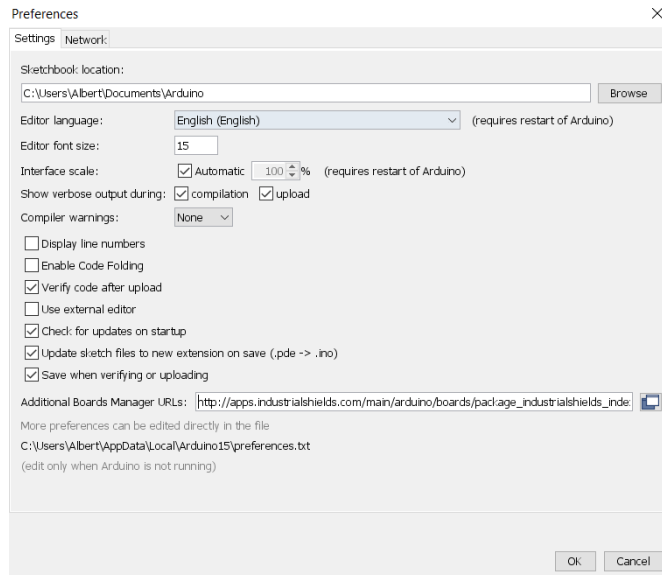
In order to install Industrial Shields boards, these are the steps that must be followed.

Requirements:

Arduino IDE 1.8.0 or above (better to have always the latest version).

Steps:

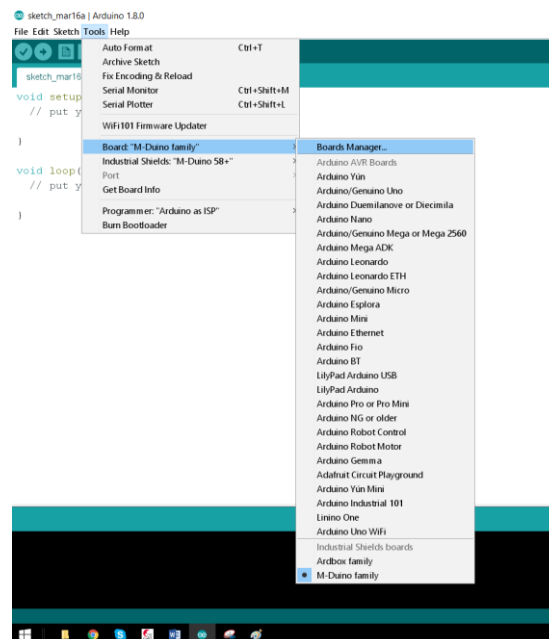
1. Open Arduino IDE and go to: "File -> Preferences" located in the top left corner.



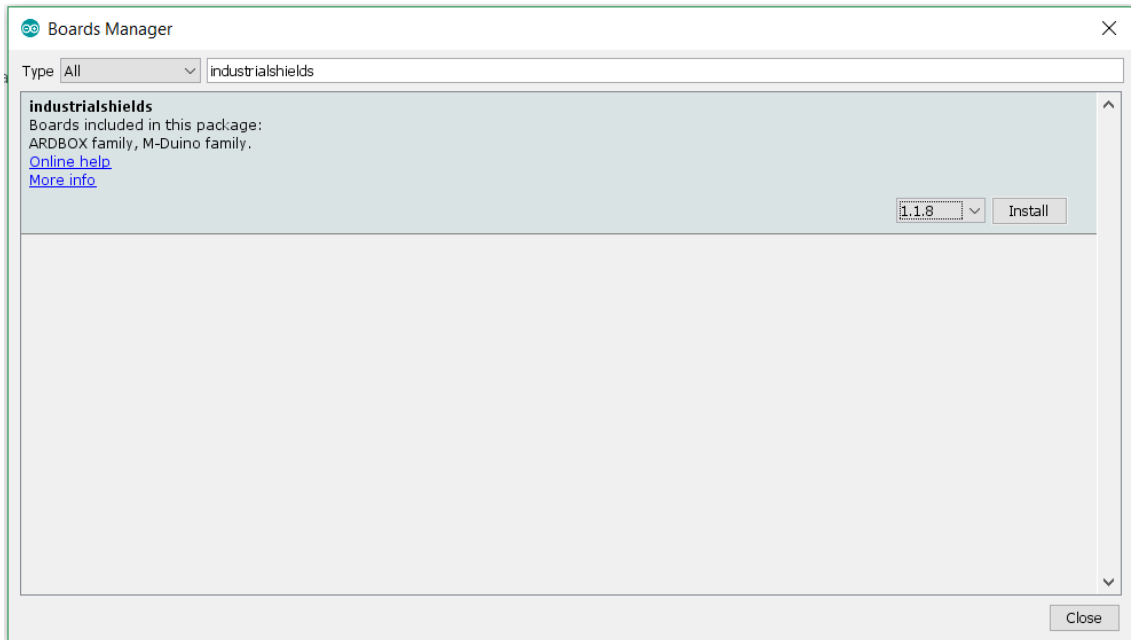
2. In Additional Boards URLs write the following:

http://apps.industrialshields.com/main/arduino/boards/package_industrialshields_index.json

3. Press OK to save the changes.
4. Go to: Tools -> Board: ... -> Boards Manager

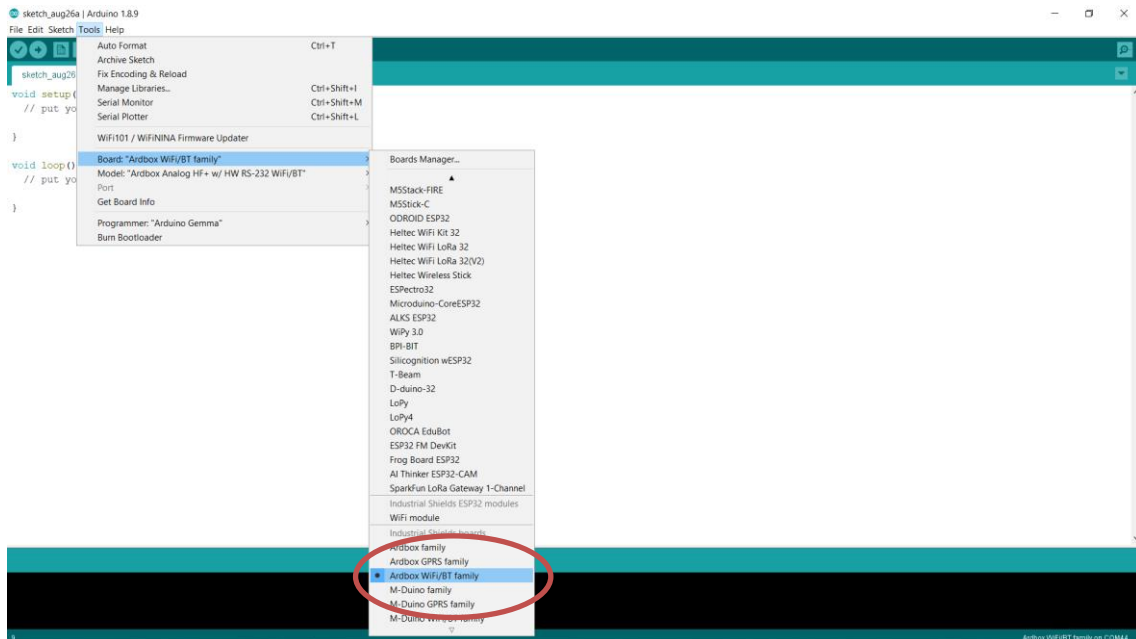


5. Search for industrialshields.



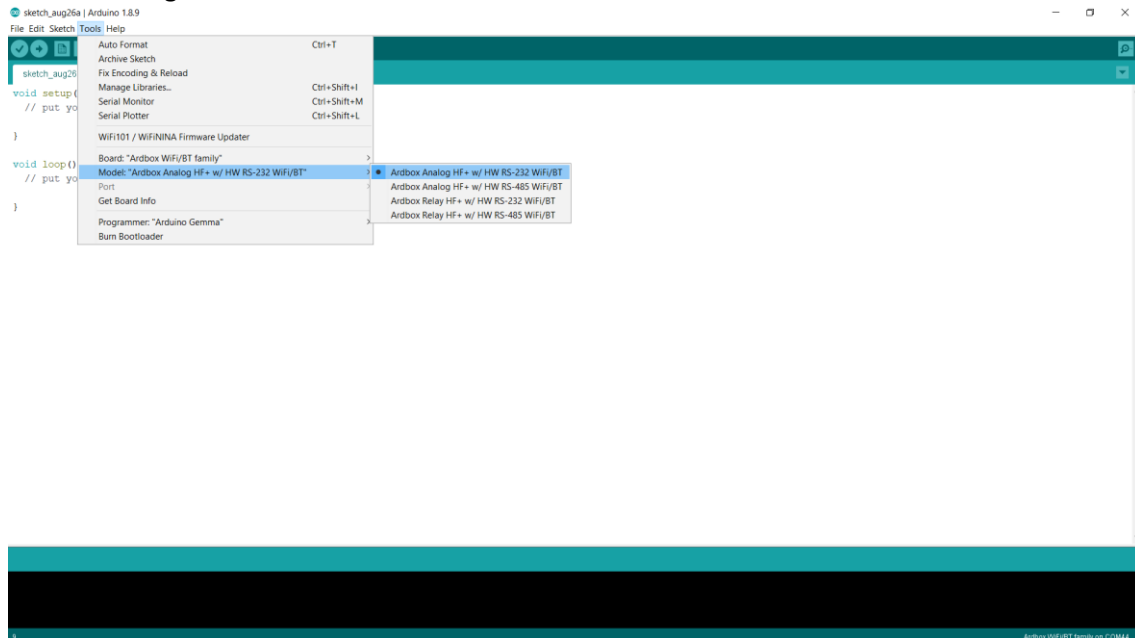
6. Click install (selecting the latest version).

Following this steps you will be able to use now the Industrial Shields Boards:



Once it is selected the Ardbox Family or Ardbox GPRS family an extra option will appear on Tools:

- Select the correct Ardbox GPRS Board (Ardbox Relay HF+ w/HW RS-232 GPRS or Ardbox Relay HF+ w/HW RS-485 GPRS) depending on your jumpers & switch configuration.



Also there are some examples of programming in File -> Examples -> Ardbox Family.

Furthermore there are some extra libraries that can be found in Industrial Shields github.

<https://github.com/IndustrialShields/>

5. How to connect PLC Arduino to PC

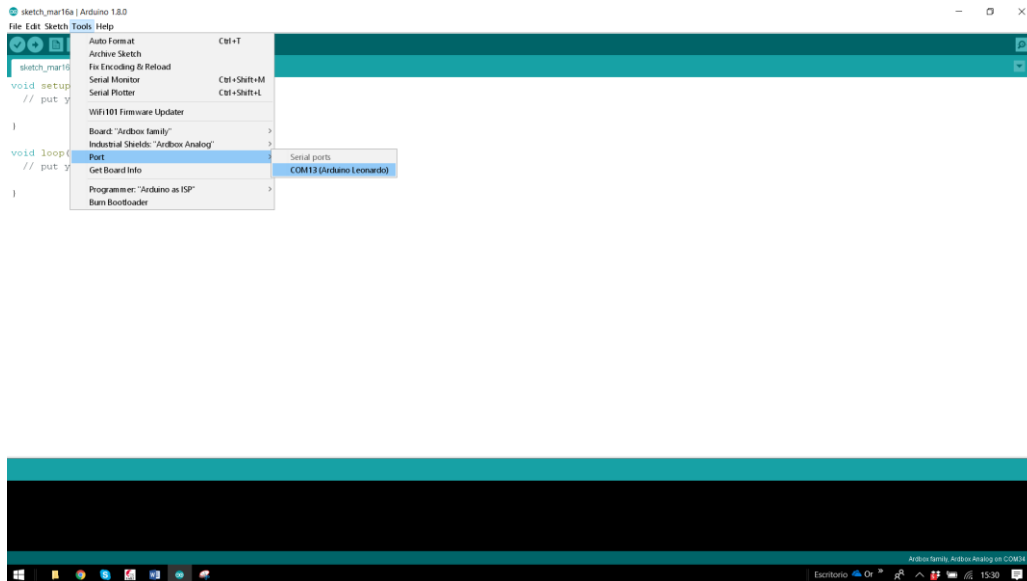
- Connect USB port from PLC to PC.

NOTE:

Ardbox Family uses micro USB cable.



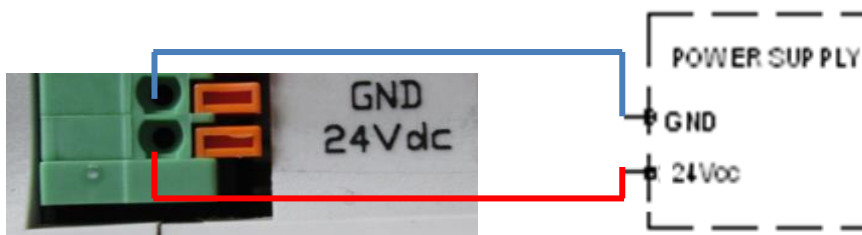
- Open Arduino IDE interface:
- Select Industrial Shields boards -> Ardbox Family
- Select correct port.



Now everything is set up to upload a sketch to Ardbox Relay HF w/GPRS

6. How to connect PLC to power supply

- Ardbox Family PLCs are 12-24Vdc supplied. **IMPORTANT: The polarity IS NOT REVERSAL!**
- Make sure that the live and GND connector of the power supply match the PLC.
- Make sure that the power supply mains output is not higher than 24Vdc.



- Suggested power suppliers

Compact DIN rail power supply. Assembled on 35mm

DIN Rail:

-12Vdc / 24Vdc

-2.5A

-30W

Industrial Shields power supplies provide parallel operation, overvoltage protection, and overcurrent protection. There is a LED indicator for power status, the power supply is certified according to UL.



Din RAIL Power Supply, ac-dc,
30W, 1 Output 1.3A at 24Vdc

The standard, Part 1 of IEC 61010, sets the general safety requirements for the following types of electrical devices and their accessories, regardless of where use of the device is intended.

The equipment must be powered from an external power source in accordance with IEC 61010-1, whose output is MBTS and is limited in power according to section 9.4 of IEC 61010-1.

WARINING: Once the equipment is installed inside an electrical cabinet, the MTBS cables of the equipment must be separated from the dangerous voltage cables.

7. Ardbox Relay HF I/O Pinout:

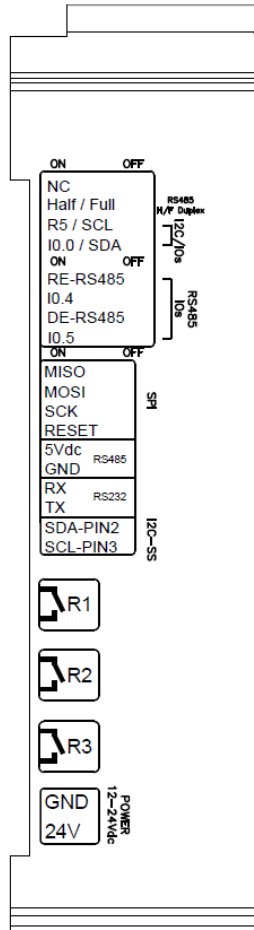
7.1 Zone Connections

| Base (common unit) | | | |
|--------------------------|------------------------|------------------------|--------------|
| LEFT ZONE | | | |
| Ardbox Connector | Arduino Pin RS-232 HS* | Arduino Pin RS-232 SS* | Function |
| SO/RX_GPRS | GPRS | GPRS | MISO/RX_GPRS |
| SI/TX_GPRS | GPRS | GPRS | MOSI/TX_GPRS |
| SCK | 15 | 15 | SPI-CLOCK |
| RESET | - | - | SPI-RESET |
| 5Vdc | - | - | 5V Output |
| GND | - | - | GND |
| RX-RS-232 ^{1,2} | 0 | 8 | Serial/RS232 |
| TX-RS-232 ^{1,2} | 1 | 4 | Serial/RS232 |
| RST_GPRS | 2 | 2 | RESET GPRS |
| PIN3 | 3 | 3 | SS |
| R1 | 10 | 10 | Relay 1 Out |
| R2 | 9 | 9 | Relay 2 Out |
| R3 | 6 | 6 | Relay 3 Out |
| GND | - | - | GND |
| 24V | - | - | - |

HS*: Hardware Serial
SS*: Software Serial

¹ See section 8 to enable these

² See section 9 to enable these connections



LEFT ZONE

Switch config*

(see section 8 for Communications configuration. Enabling Communications disables some I/Os)

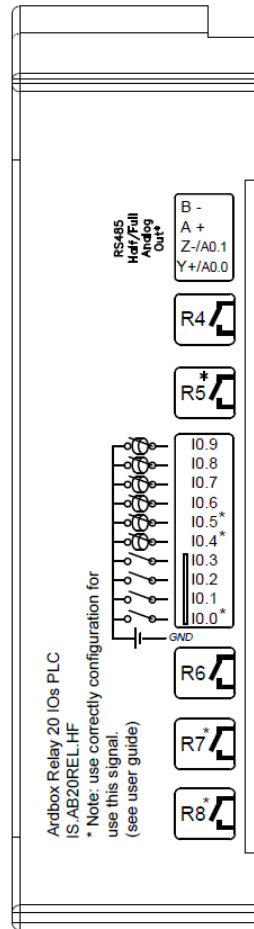
Communications pins

Relay Outputs

Power supply connectors (24Vdc – GND)

connections

| Base (common unit) | | | |
|-----------------------|------------------------|------------------------|--------------------------|
| RIGHT ZONE | | | |
| Ardbox Connector | Arduino Pin RS-485 HD* | Arduino Pin RS-485 FD* | Function |
| B- | - | - | RS485 |
| A+ | - | - | RS485 |
| Z-/A0.1 | 11 | - | RS485/Analog Output |
| Y+/A0.0 | 13 | - | RS485/Analog Output |
| R4 | 5 | 5 | Relay 4 Out |
| R5 | 3 | 3 | Relay 5 Out |
| IO.9 | 23 | 23 | Analog/Digital Input |
| IO.8 | 22 | 22 | Analog/Digital Input |
| IO.7 | 21 | 21 | Analog/Digital Input |
| IO.6 | 20 | 20 | Analog/Digital Input |
| IO.5 ¹ | 19 | 19 | Analog/Digital Input |
| IO.4 ¹ | 18 | 18 | Analog/Digital Input |
| IO.3 ² | 8 | 8 | Digital Input |
| IO.2 ² | 4 | 4 | Digital Input |
| IO.1 | 12 | 12 | Digital Input |
| IO.0 ¹ | 2 | 2 | Digital Input/ Interrupt |
| R6 | 7 | 7 | Relay 6 Out |
| R7 ¹ | 0 | 0 | Relay 7 Out |
| R8 ¹ | 1 | 1 | Relay 8 Out |



RIGHT ZONE

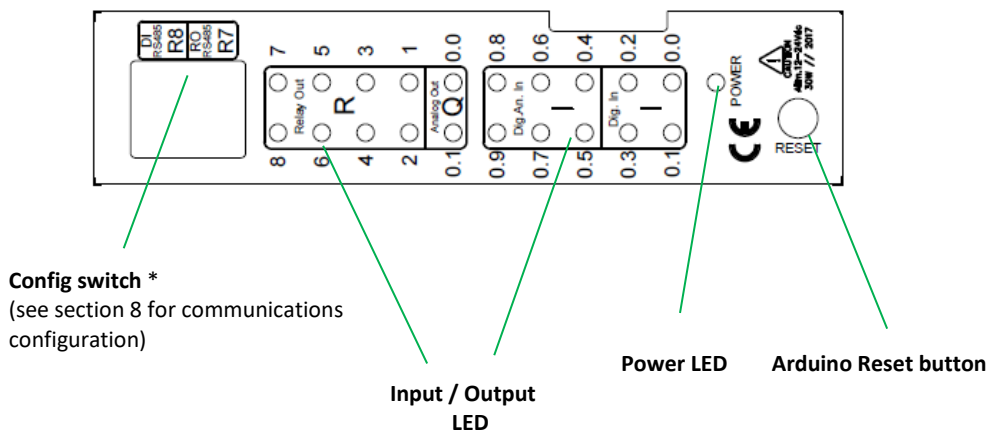
RS-485 pins
Analog Outputs Pins

Relay Outputs

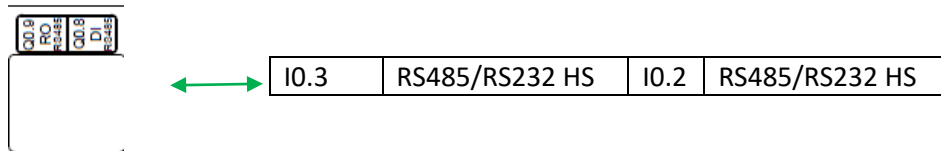
Digital/Analog Inputs pins

Relay Outputs

*Depending on the mode HD/FD the Y+/Z- analog outputs pins are enabled or disabled. See section 9 to see the configurations



NOTE: Although in the TOP ZONE serigraphy it is shown Q0.9 & Q0.8 pins, in the reality they are IO.3 IO.2 pins respectively. Additionally although the serigraphy only is expressed for the RS485 it is also the same for the RS232. So if it is desired to enable any of the Hardware Serial connection this is the function of these switches. See chapter 8 for more information



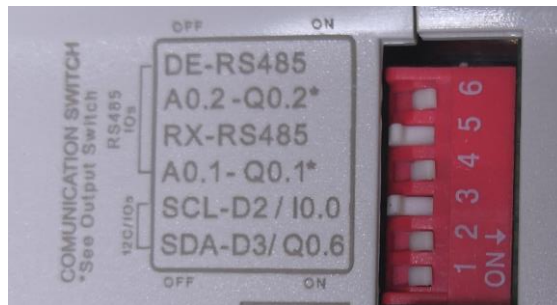
8. Switch configuration

8.1 General Switches Configuration

LEFT ZONE.

Communications and inputs/outputs cannot work simultaneously.

| LEFT ZONE | | |
|---------------|------------|------------|
| SWITCH | OFF | ON |
| DE-RS485 | A0.2-Q0.2* | DE-RS485 |
| D10/A0.2-Q0.2 | DE-RS485 | A0.2-Q0.2 |
| RE-RS485* | A0.1-Q0.1* | RE-RS485 |
| D11/A0.1-Q0.1 | RE-RS485 | A0.1-Q0.1* |
| SDA-D2/I0.0* | SDA-D2 | I0.0 |
| SCL-D3/Q0.6* | SCL-D3 | Q0.6 |



*I2C switch serigraphy is turned around. It should be: (SDA-D2 , SCL-D3). RX-RS485 should be RE-RS485

6. DE-RS485 – If this switch is ON, the A0.2-Q0.2 switch must be set to OFF. Being in ON mode it enables DE for the RS-485.
5. A0.2-Q0.2 – If this switch is ON, the DE-RS485 switch must be set to OFF. Being in ON mode it enables the outputs A0.2-Q0.2.
4. RE-RS485 – If this switch is ON, the A0.1-Q0.1 switch must be set to OFF. Being in ON mode it enables EE for the RS-485.
3. A0.1-Q0.1 – If this switch is ON, the RE-RS485 switch must be set to OFF. Being in ON mode it enables the outputs A0.1-Q0.1.
2. SDA-D2/I0.0 – Choosing between SDA (I2C) and I0.0. If this switch is ON, the I0.0 input will be enabled and the SDA will be disabled. If this switch is OFF, the SDA will be now available and I0.0 disabled

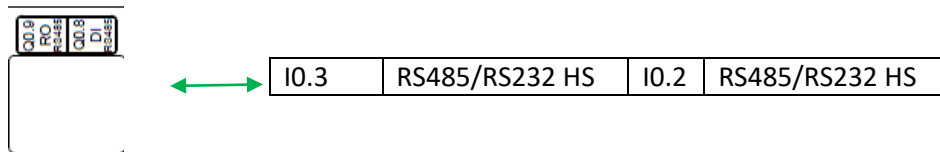
1. SCL-D3/Q0.6 – Choosing between SCL (I2C) and Q0.6. If this switch is ON, the Q0.6 input will be enabled and the SCL will be disabled. If this switch is OFF, the SCL will be now available and Q0.6 disabled.

| TOP ZONE | | |
|----------------|----------------|----------------|
| SWITCH | OFF | ON |
| I0.3 | RS485/RS232 HS | I0.3 |
| RS485/RS232 HS | I0.3 | RS485/RS232 HS |
| I0.2 | RS485/RS232 HS | I0.2 |
| RS485/RS232 HS | I0.2 | RS485/RS232 HS |

TOP ZONE

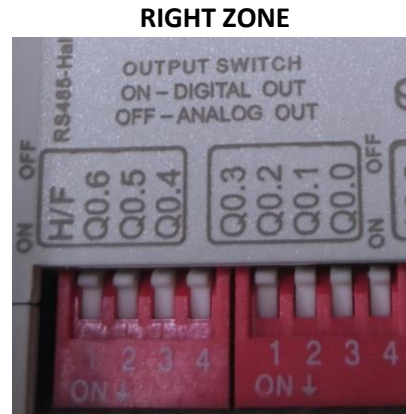


NOTE: Although in the TOP ZONE serigraphy it is shown Q0.9 & Q0.8 pins, in the reality they are I0.3 I0.2 pins respectively. Additionally although the serigraphy only is expressed for the RS485 it is also the same for the RS232. So if it is desired to enable any of the Hardware Serial connection this is the function of these switches. See chapter 8 for more information



1. I0.3: If this switch is ON, the RS485/RS232 HS switch must be set to OFF. Being in ON mode it enables I0.3.
2. RS485/RS232 HS: If this switch is ON, the I0.3 switch must be set to OFF. Being in ON mode it enables the D0 for the RS-485 or RS-232 Hardware Serial (see section 9 for jumper configuration)
3. I0.2: If this switch is ON, the RS485 switch must be set to OFF. Being in ON mode it enables I0.2.
4. RS485/RS232 HS: If this switch is ON, the I0.2 switch must be set to OFF. Being in ON mode it enables the D1 for the RS485 or RS-232 Hardware Serial (see section 9 for jumper configuration)

| RIGHT ZONE | | |
|------------|---------------|----------------|
| SWITCH | OFF | ON |
| H/F | Full Duplex | Half Duplex |
| Q0.6 | ANALOG (A0.6) | DIGITAL (Q0.6) |
| Q0.5 | ANALOG (A0.5) | DIGITAL (Q0.5) |
| Q0.4 | ANALOG (A0.4) | DIGITAL (Q0.4) |
| Q0.3 | ANALOG (A0.3) | DIGITAL (Q0.3) |
| Q0.2 | ANALOG (A0.2) | DIGITAL (Q0.2) |
| Q0.1 | ANALOG (A0.1) | DIGITAL (Q0.1) |
| Q0.0 | ANALOG (A0.0) | DIGITAL (Q0.0) |



RIGHT ZONE. The right zone configures the outputs. If the switch is set to “ON” the Q0.X will have the behaviour of a digital output. If it is set to “OFF” it will be analog. There is also a switch for switching between Half and Full Duplex. It is “ON” for Half Duplex and “OFF” for Full Duplex.

8.2 RS- 485 Switch configuration

| TOP ZONE | |
|----------|------|
| SWITCH | MODE |
| I0.3 | OFF |
| RS485 HS | ON |
| I0.2 | OFF |
| RS485 HS | ON |

RS-485 TOP ZONE: In order to enable the RS-485 protocol the TOP ZONE must be configured as it is shown in the table. Although the switch serigraphy is only referenced to RS-485 it is also the for the RS-232.

Having this setup, the I0.3 & I0.2 are disabled

| LEFT ZONE | |
|----------------------|------|
| SWITCH CONFIGURATION | |
| SWITCH | MODE |
| DE-RS485 | ON |
| D10/A0.2-Q0.2 | OFF |
| RE-RS485 | ON |
| D11/A0.1-Q0.1 | OFF |
| SDA-D2/I0.0 | - |
| SCL-D3/Q0.6 | - |

RS-485 LEFT ZONE: In order to enable the RS-485 communication protocol it is necessary that the switches of the left zone are configured as it is showed in the table.

The ones marked with “-” mean that they don’t affect the RS-485 communication protocol

8.3 RS-232 Switch configuration

| TOP ZONE | |
|----------|------|
| SWITCH | MODE |
| I0.3 | OFF |
| RS232 HS | ON |
| I0.2 | OFF |
| RS232 HS | ON |

RS-232 TOP ZONE: In order to enable the RS-232 communication protocol it is necessary that the switches of the top zone are configured as it is shown in the table.

Although the nomenclature is not referenced to the RS-232, this switches relates the hardware serial of the Arduino board.

| LEFT ZONE | |
|---------------|------|
| SWITCH | MODE |
| DE-RS485 | OFF |
| D10/A0.2-Q0.2 | ON |
| RE-RS485 | OFF |
| D11/A0.1-Q0.1 | ON |
| SDA-D2/I0.0 | - |
| SCL-D3/Q0.6 | - |

RS-232 LEFT ZONE: In order to enable the RS-232 communication protocol it is necessary that the switches of the left zone is configured as it is showed in the table.

The ones marked with “-” mean that it does not affect the RS-232 communication protocol

8.4 I2C Switch configuration

| TOP ZONE | |
|----------------|------|
| SWITCH | MODE |
| I0.3 | - |
| RS485/RS232 HS | - |
| I0.2 | - |
| RS485/RS232 HS | - |

| LEFT ZONE | |
|---------------|------|
| SWITCH | MODE |
| DE-RS485 | - |
| D10/A0.2-Q0.2 | - |
| RE-RS485 | - |
| D11/A0.1-Q0.1 | - |
| SDA-D2/I0.0 | OFF |
| SCL-D3/Q0.6 | OFF |

I2C: Enable SCL and SDA connections (direct Arduino pins) with configuration switches. I0.0 and Q0.6 will not be available. In order to implement this communication a 4.7kΩ pull-up resistor ([IS.AC12C-4.7K](#)) is required.

9. Jumper Configuration

General Jumper Configuration

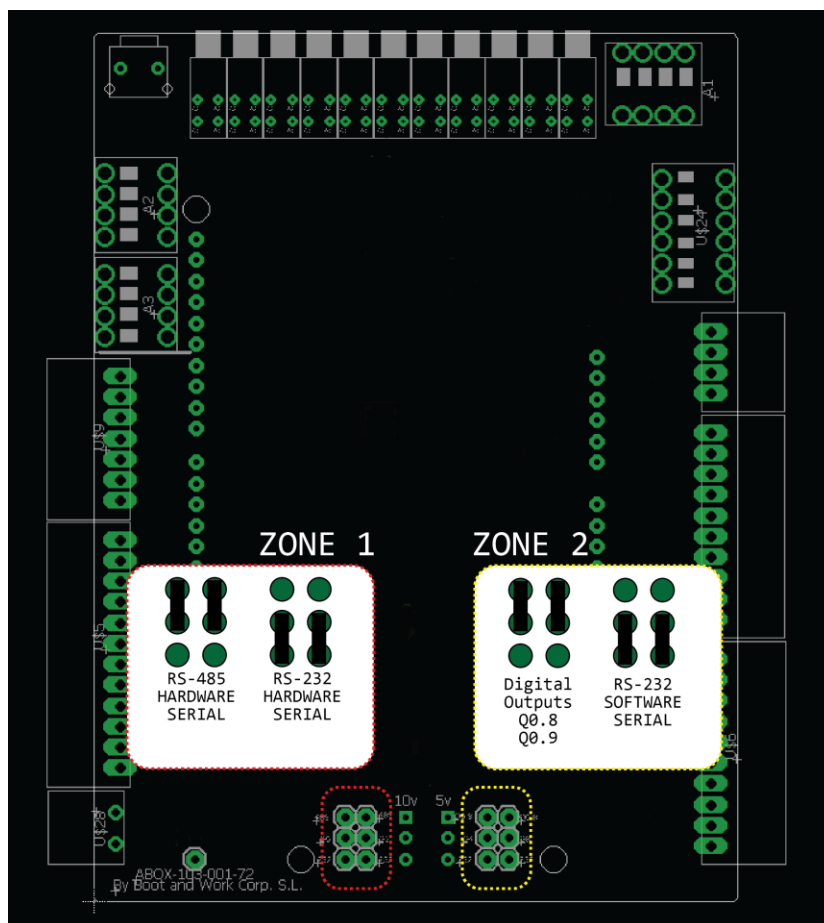
| JUMPER ZONE 1 | |
|---------------|--------|
| LEFT | RIGHT |
| RS-485 | RS-485 |
| D0 | D1 |
| RS-232 | RS-232 |

This jumper makes the choosing between connecting MAX232 to pins 0,1 of the Arduino Leonardo or with the MAX485. In order to use the RS-232 Hardware Serial protocol both RS-232 must be connected to the D1/D0. In order to use the RS-485 Hardware Serial protocol both RS-485 must be connected to the D1/D0.

| JUMPER ZONE 2 | |
|---------------|-----------|
| LEFT | RIGHT |
| I0.2 | I0.3 |
| D4 | D8 |
| RS-232 SS | RS-232 SS |

This jumper zone makes the choosing between connecting the inputs I0.2, I0.3 to pins 4 and 8 of the Arduino Leonardo respectively, or connect the RS-232 ports to activate the Software Serial RS-232. In order to use the inputs I0.2,I0.3 the jumper must be connected to the pins 4 and 8. So I0.2 must be connected with D4 and I0.3 must be connected to D8.

*The jumpers that are not connected to the middle jumpers MUST NOT be Connected anywhere.



10. Hardware Serial RS-232 & RS-485 Configuration

10.1 Hardware Serial RS-485

In order to enable the Hardware Serial RS-485 the total configuration of the GPRS Ardbox Relay HF will be:

Switch configuration:

| TOP ZONE | |
|----------|------|
| SWITCH | MODE |
| I0.3 | OFF |
| RS485 HS | ON |
| I0.2 | OFF |
| RS485 HS | ON |

| LEFT ZONE | |
|---------------|------|
| SWITCH | MODE |
| DE-RS485 | ON |
| D10/A0.2-Q0.2 | OFF |
| RE-RS485 | ON |
| D11/A0.1-Q0.1 | OFF |
| SDA-D2/I0.0 | - |
| SCL-D3/Q0.6 | - |

Jumper configuration:

| JUMPER ZONE 1 | |
|---------------|--------|
| LEFT | RIGHT |
| RS-485 | RS-485 |
| D0 | D1 |
| - | - |

| JUMPER ZONE 2 | |
|---------------|-------|
| LEFT | RIGHT |
| I0.2 | I0.3 |
| D4 | D8 |
| - | - |

Having configured GPRS Ardbox Relay HF as it is shown above, these are the features that are available:

- Available communication protocols:
 - Hardware Serial RS-485.
 - I2C *If I2C is active I0.0 & Q0.6 are disabled
 - SPI
 - TTL
 - USB
- Inputs: 8 out of 10 inputs, I0.0, I0.1 and I0.4 to I0.9. If using I2C I0.0 is also disabled
- Digital Outputs: All 10 outputs. If using I2C Q0.6 is disabled.
- Analog Outputs: From A0.0 to A0.6. If using I2C A0.6 is disabled

10.2 Hardware Serial RS-232

In order to enable the Hardware Serial RS-232 the total configuration of the Ardbox Relay HF will be:

Switch configuration:

| TOP ZONE | |
|----------|------|
| SWITCH | MODE |
| I0.3 | OFF |
| RS232 HS | ON |
| I0.2 | OFF |
| RS232 HS | ON |

| LEFT ZONE | |
|---------------|------|
| SWITCH | MODE |
| DE-RS485 | OFF |
| D10/A0.2-Q0.2 | ON |
| RE-RS485 | OFF |
| D11/A0.1-Q0.1 | ON |
| SDA-D2/I0.0 | - |
| SCL-D3/Q0.6 | - |

Note: The switches of the left zone of the RS-485 don't interfere in the RS-232 HS, the thing is that as pins 0 & 1 are reserved for the RS-232, the RS-485 is totally disabled. As it is disabled, there is no point on configuring these switches as RS-485 mode

Jumper configuration:

| JUMPER ZONE 1 HALF DUPLEX | |
|---------------------------|--------|
| LEFT | RIGHT |
| - | - |
| D0 | D1 |
| RS-232 | RS-232 |

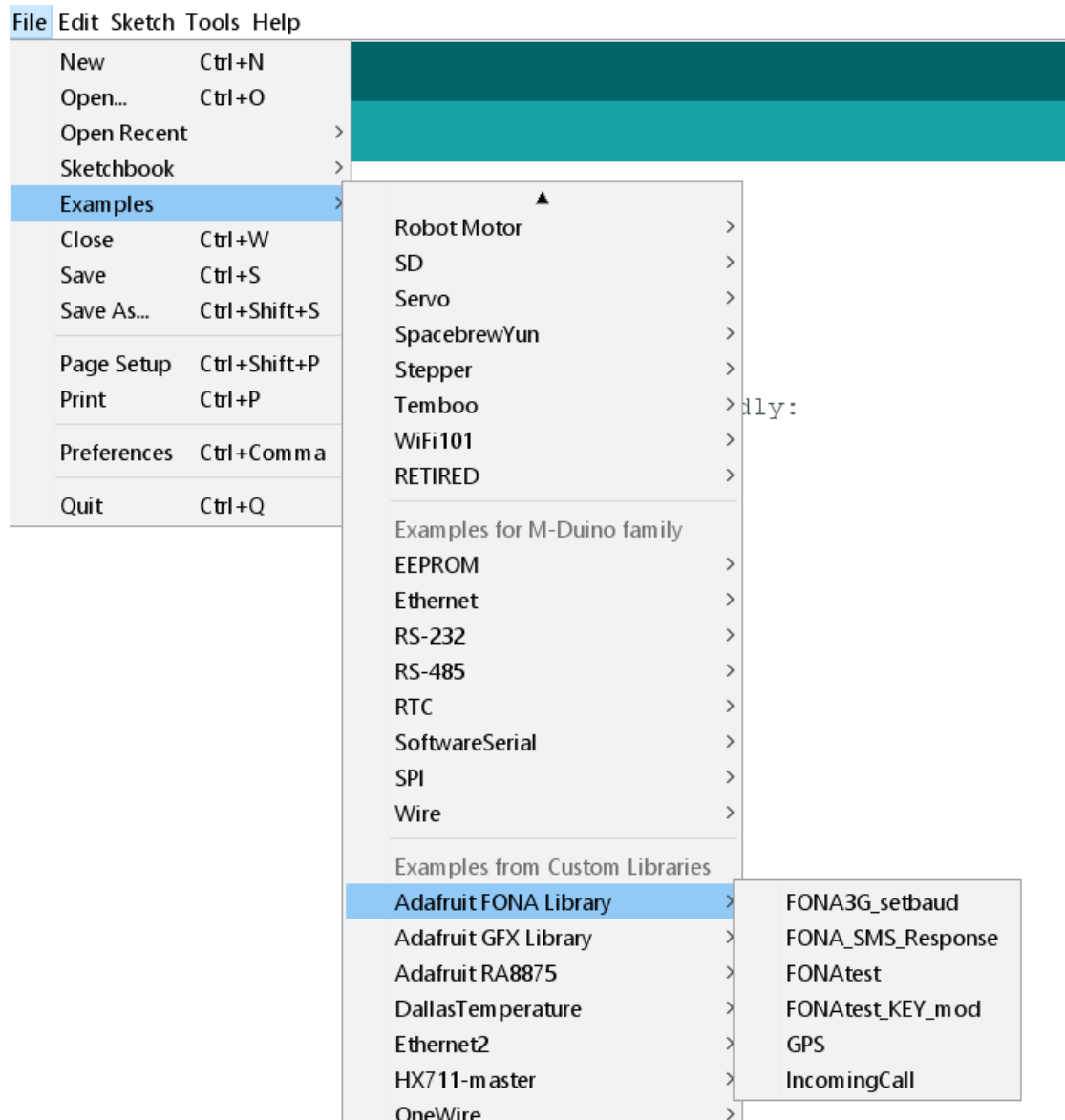
| JUMPER ZONE 2 | |
|---------------|-------|
| LEFT | RIGHT |
| I0.2 | I0.3 |
| D4 | D8 |
| - | - |

- Available communication protocols:
 - Hardware Serial RS-232.
 - I2C *If I2C is active I0.0 & Q0.6 are disabled
 - SPI
 - TTL
 - USB
- Inputs: 8 out of 10 inputs, I0.0, I0.1 and I0.4 to I0.9. If using I2C I0.0 is also disabled
- Digital Outputs: All 10 outputs. If using I2C Q0.6 is disabled.
- Analog Outputs: From A0.0 to A0.6. If using I2C A0.6 is disabled

11. GPRS/GSM

The SIM800L module is the integrated module for the use of GPRS / GSM in this PLC and to program it you must download [this library](#) on your Arduino IDE.

You can test the GPRS / GSM functionality using the examples that come with the library:



When defining the pins in the program, take into account that the internal connections between the Sim800l module and the Arduino Mega are the following:

| Arduino Leonardo Pinout | Sim800L Pinout |
|-------------------------|----------------|
| 5Vdc | Vcc |
| GND | GND |
| MISO | TxD |
| MOSI | RxD |
| Pin 2 | GPRS RESET |

The GPRS/GSM protocol is always enabled as there are no switches that configure it.

the GPRS / GSM protocol uses the SPI pins of the equipment to be able to communicate and the pin2 for the module reset.

If you want to use the SPI pins, you must indicate in the program that pin2 is always in High position. In case of using the SPI, the GPRS / GSM communication can not be used.

12. Ardbox - Arduino I/Os 5V pins

The Ardbox has some of the Leonardo board pins available. These pins can be programmed according to Arduino features such as I/Os operating at 5V or any additional features present in the pins (for example I2C communication in pins SCL and SDA). As this pins are directly connected to the Arduino Leonardo board they are not as well protect as the normal inputs. These pins are mainly meant to be used as prototyping.

| M-Duino terminal | Arduino pin |
|------------------|-------------|
| SCL – Pin 3 | 3 |
| MISO | 14 |
| SCK | 15 |
| MOSI | 16 |

***IMPORTANT:** Do not connect the terminals in the chart above to voltages higher than 5V. These terminals provide direct access to the Leonardo board.

A part from the switch configuration there are some special conditions depending on these 5V. Now it is going to be shown the considerations to operate with these pins.

11.1 I2C pins – SDA/SCL

The I2C protocol is meant to work in a pull-up configuration. The I2C pins in the Arduino Leonardo are not pull-up, so in order to work with the I2C an external pull-up resistor is required. If it is meant to work as a GPIO at 5V, the switches must be set as I2C, (section 8).

These pins are not established with a pull-up or a pull-down configuration. The state of these pins is unknown. If these pins must be used they require a pull-up or a pull-down configuration. The Arduino board allows the pins to be set in a pull-up configuration. If not it must be established an external pull-up or pull-down circuit in order to correctly work with these pins.

12.1 11.2 Pin3

Pin3 is only referred to the input R5. If the switch configuration is in OFF position the pin Pin3 will be available.

This pin is not established with a pull-up or pull-down configuration. The state of pin 3 is unknown. If using pin3, it requires a pull-up or a pull-down configuration. The Arduino board allows pin 3 to be set in a pull-up configuration. If not it must be established an external pull-up or pull-down circuit in order to correctly work with this pin.

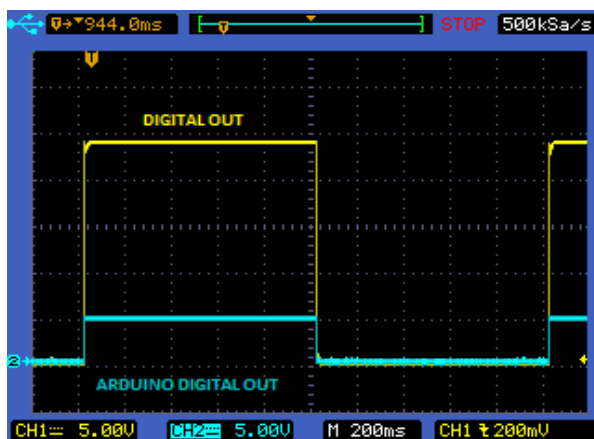
12.2 11.3 SPI – MISO/MOSI/SCK

These pins are used for the GPRS module.

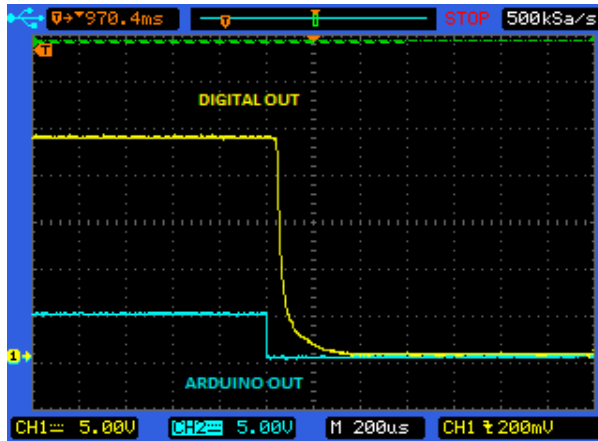
These pins are not established with a pull-up or a pull-down configuration. The state of these pins is unknown. If these pins must be used, they require a pull-up or a pull-down configuration. The Arduino board allows the pins to be set in a pull-up configuration. If not it must be established an external pull-up or pull-down circuit in order to correctly work with these pins.

13. I/O technical details

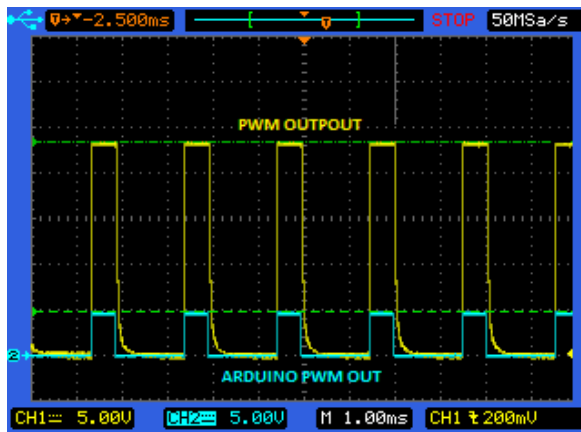
Digital Output Waveform



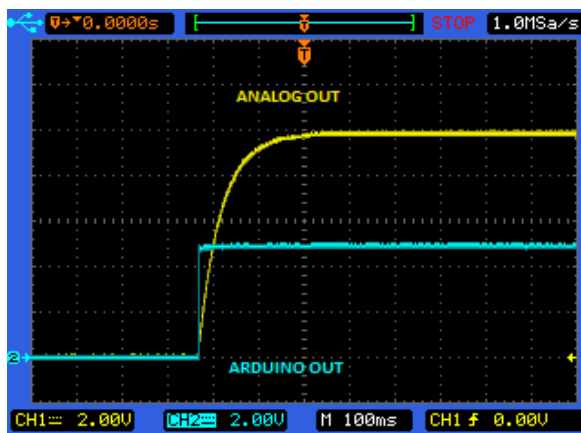
Digital Output Turn-off



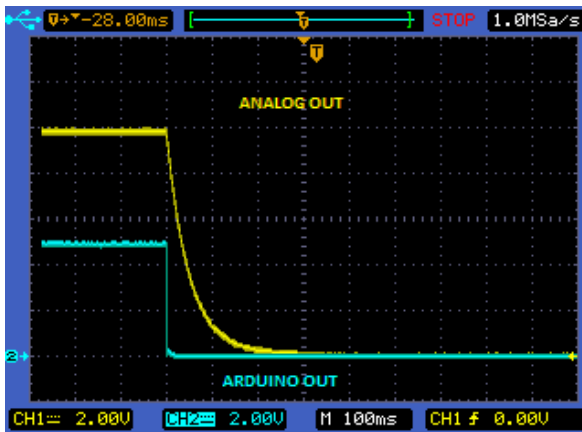
PWM Waveform



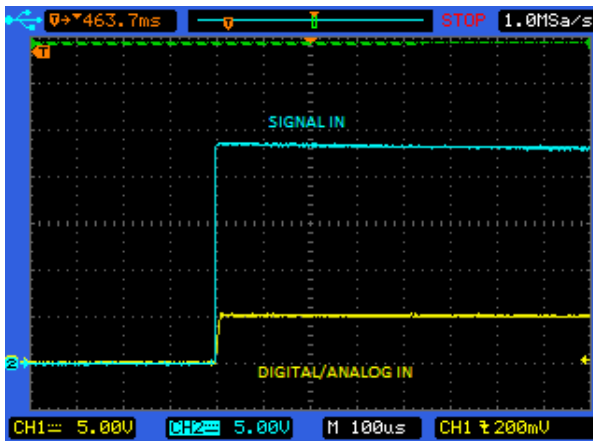
Analog Out Turn-on



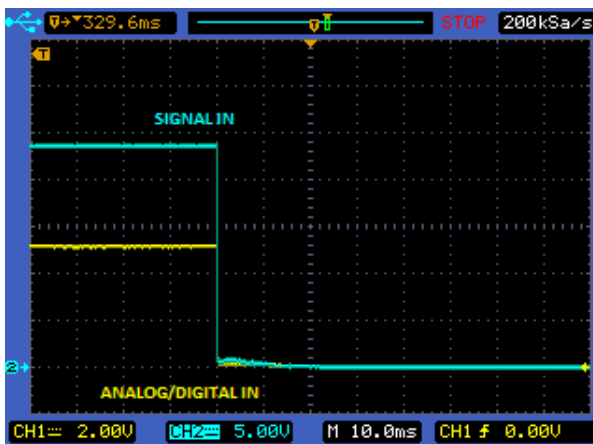
Analog Out Turn-off



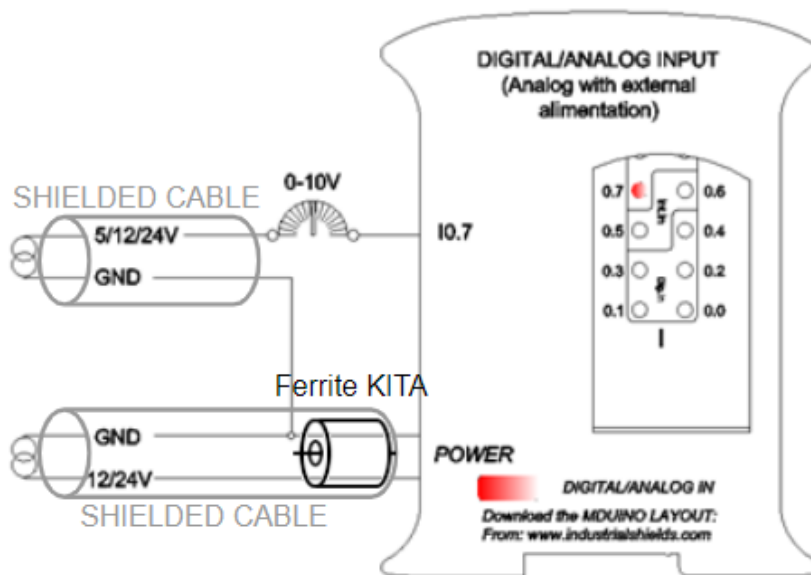
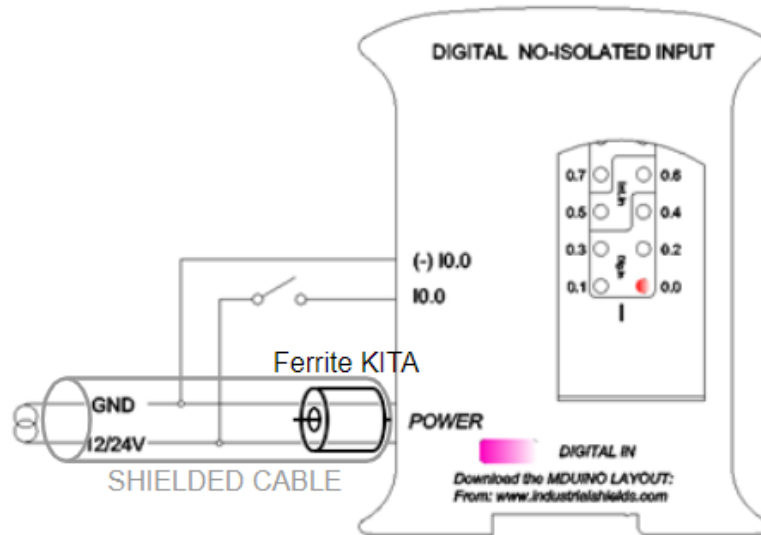
Analog/Digital Input Turn-on

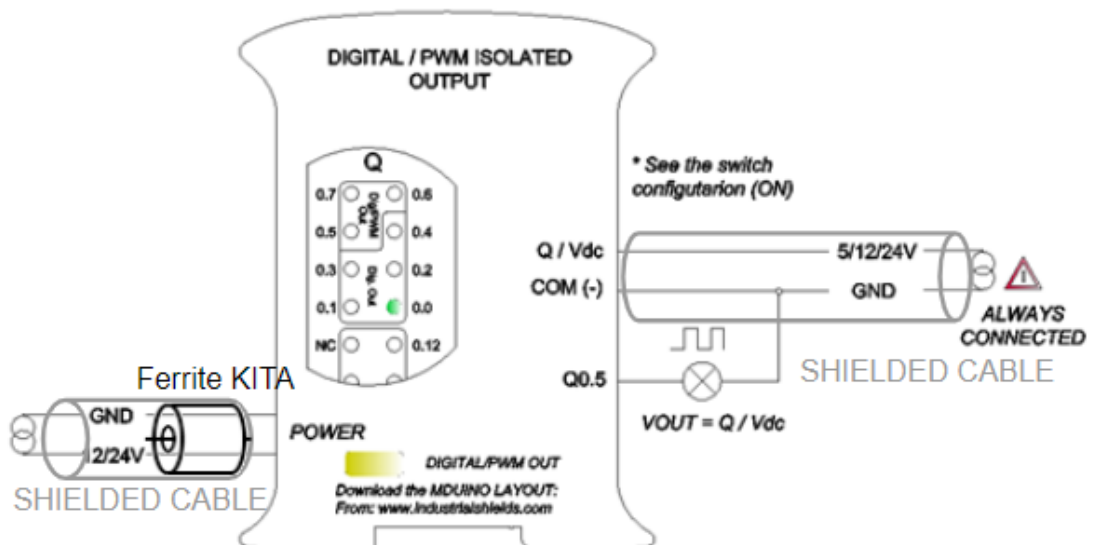
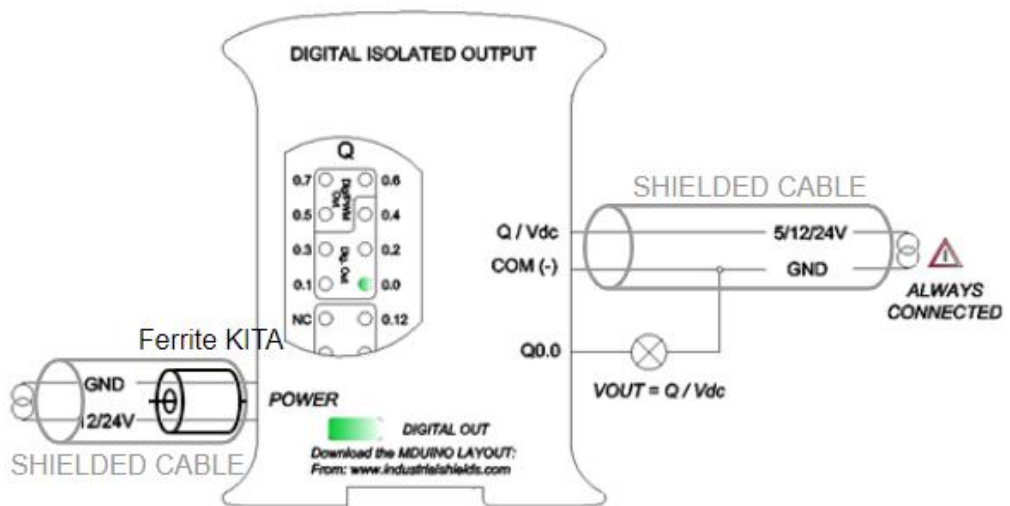
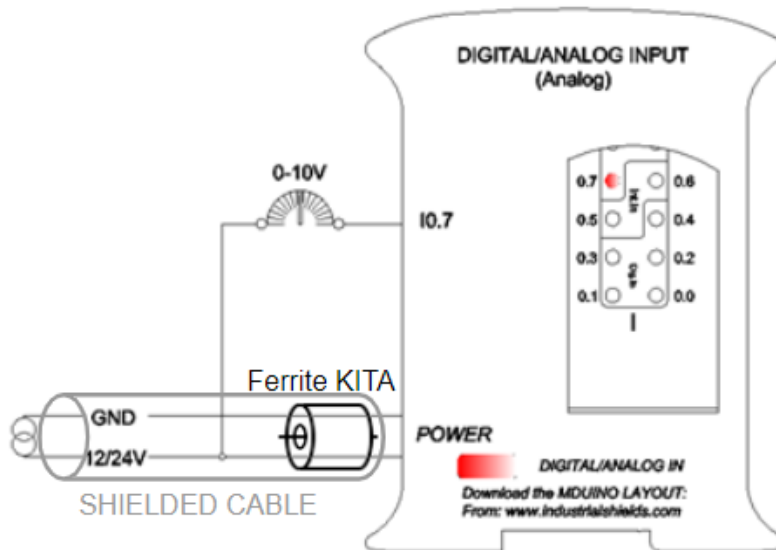


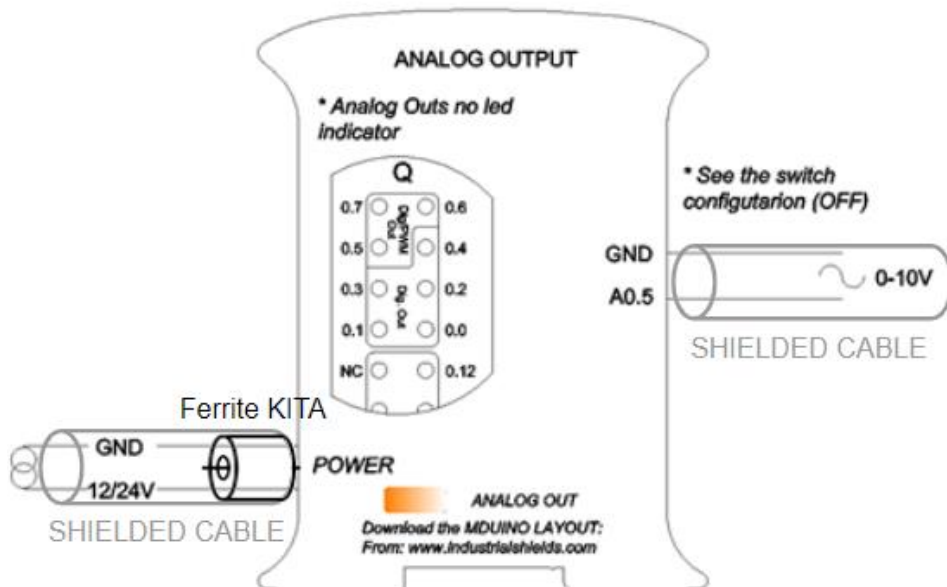
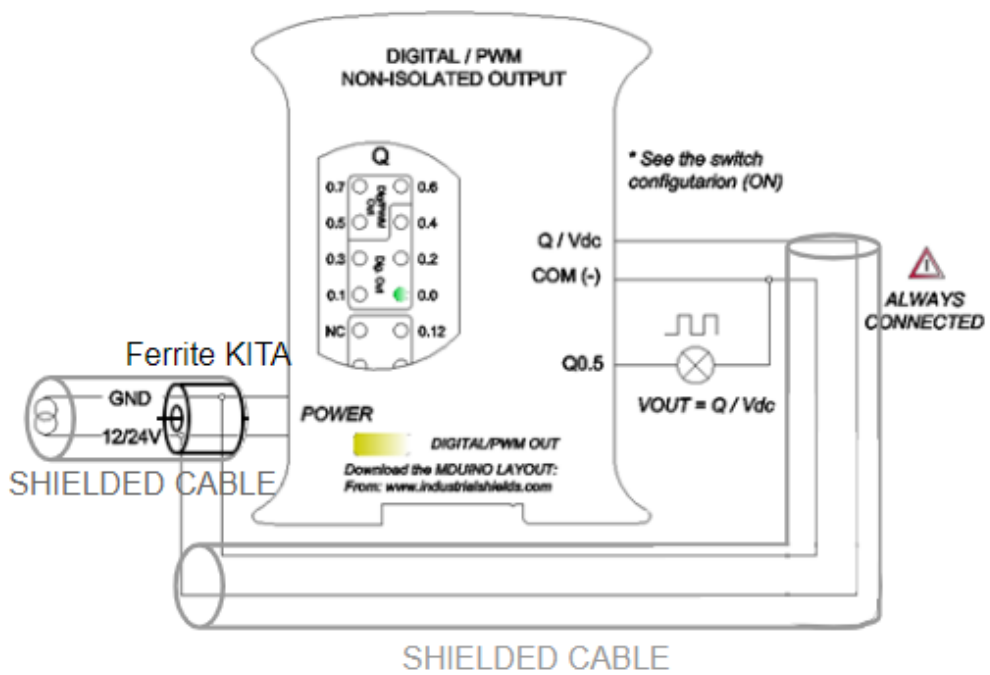
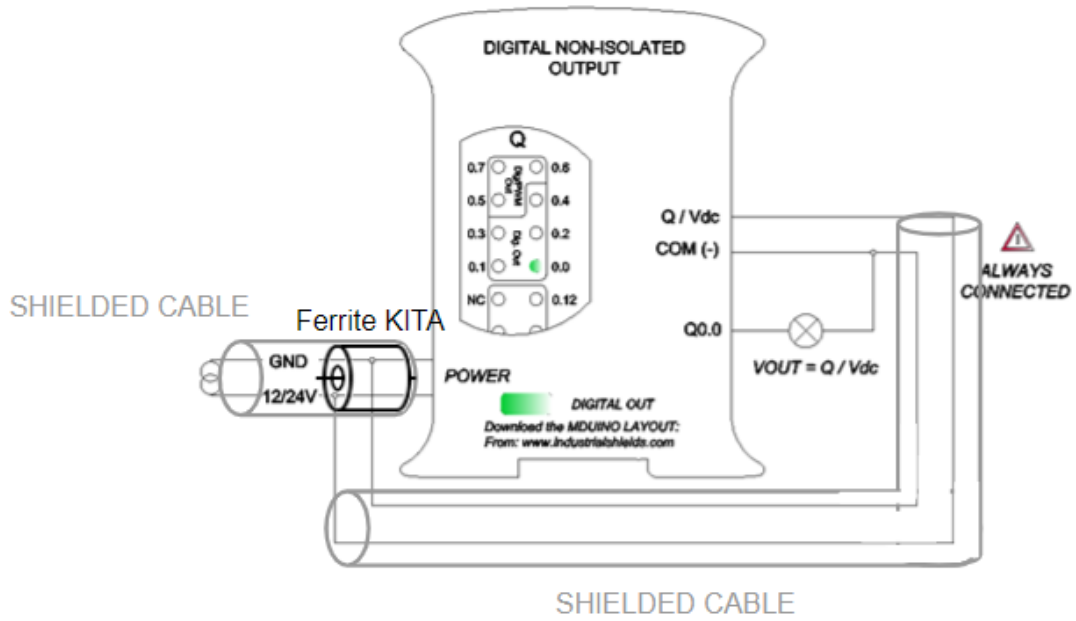
Analog/Digital Input Turn-off



14. Typical Connections







15. Connector details

The connector inside the PLCs that mounts on the PCB is MC 0,5/10-G-2,5 THT – 1963502 from Phoenix contact. MC0,5/10-G-2,5THT

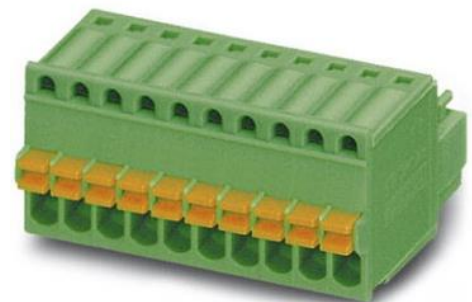
For I/O and power supply there is a FK-MC 0,5/10-ST-2,5 - 1881406 connector from Phoenix contact. FK-MC 0,5/10-ST-2,5

Connection details:

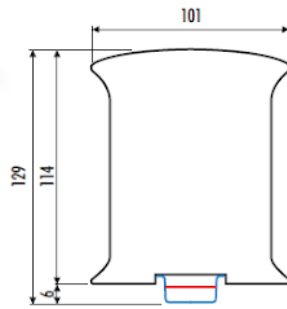
| | |
|--------------------------|---------------------|
| Article reference | MC 0,5/10-G-2,5 THT |
| Height | 8,1mm |
| Pitch | 2,5mm |
| Dimension | 22,5mm |
| Pin dimensions | 0,8x0,8mm |
| Pin spacing | 2,50mm |



| | |
|---------------------------------------|----------------------|
| Article reference | FK-MC 0,5/10-ST-2,5 |
| Rigid conduit section min. | 0,14 mm ² |
| Rigid conduit section max. | 0,5 mm ² |
| Flexible conduit section min. | 0,14 mm ² |
| Flexible conduit section max. | 0,5 mm ² |
| Conduit section AWG/kcmil min. | 26 |
| Conduit section AWG/kcmil max. | 20 |

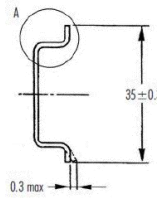
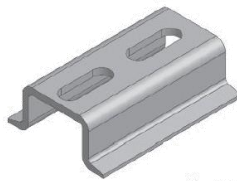


16. ARDBOX Family Dimensions:

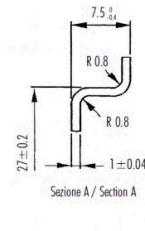


45mm width

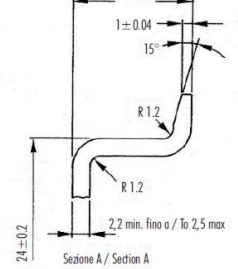
17. DIN rail mounting:



Profilato a cappello TH 35-7,5
Top hat rail TH 35-7,5



Profilato a cappello TH 35-15
Top hat rail TH 35-15



| CARATTERISTICHE | METODO | UNITA' DI MISURA | BLENDE PC/ABS |
|----------------------------------|--|------------------|-------------------------|
| Mecchaniche | Resistenza a trazione allo sveramento | ASTM D638 | MPa 68 |
| | Resistenza a trazione a rottura | ASTM D638 | MPa 48 |
| | Allungamento a rottura | ASTM D638 | % 59 |
| | Modulo in flessione | ASTM D790 | MPa 2894 |
| Termiche | Prova Izod con intaglio | ISO 180/14 | KJ/m ² 5,5 |
| | Temperatura di minimo allungamento Vicat, metodo B | ASTM D1525 | °C 114 |
| Fisiche | Temperatura Ricambio 1.81 | MPa | ASTM D648 °C 97 |
| | Peso specifico | ASTM D792 | gr/cm ³ 1,21 |
| | Titolo nella stampa | ASTM D955 | % 0,4/0,6 |
| Comportamento alla fiamma | Heat Flow Index 260°C - 98N | ASTM D1288 | gr/10V 11,1 |
| | Autodistruzione (mm di spessore) | IE94 | - V-0 (0,8) |
| | Filo lucidascan, 3,2 mm | IE695.2.1 | °C 960 |

Italtronic si riserva il diritto di modificare il materiale con cui realizza i propri prodotti senza obbligo di preavviso.

| FEATURES | TEST METHOD | UNITS | BLENDE PC/ABS |
|------------------------|---------------------------------------|------------|-------------------------|
| Mechanical test | Resistance to tensile stress at yield | ASTM D638 | MPa 68 |
| | Tensile strength | ASTM D638 | MPa 48 |
| | Ultimate elongation | ASTM D638 | % 59 |
| | Flexing modulus | ASTM D790 | MPa 2894 |
| Thermal test | Izod test notched | ISO 180/14 | KJ/m ² 5,5 |
| | Vicat softening temperature method B | ASTM D1525 | °C 114 |
| Physical test | Refracting temperature 1.81 MPa | ASTM D648 | °C 97 |
| | Specific gravity | ASTM D792 | gr/cm ³ 1,21 |
| | Moisture sorption | ASTM D955 | % 0,4/0,6 |
| Flame test | Heat Flow Index 260°C - 98N | ASTM D1288 | gr/10V 11,1 |
| | Self extinguisher (thickness in mm) | IE94 | - V-0 (0,8) |
| | Incandescan thread 3,2 mm | IE695.2.1 | °C 960 |

Italtronic can operate any change of the materials without being obliged to forewarn.

18. Revision Table

| Revision Number | Date | Changes |
|-----------------|----------------|--------------------------|
| 0 | 30 / 08 / 2019 | It was first implemented |
| | | |
| | | |
| | | |
| | | |

About Industrial Shields:

Address: Fàbrica del Pont, 1-11

Zip/Postal Code: 08272

City: Sant Fruitós de Bages (Barcelona)

Country: Spain

Telephone: (+34) 938 760 191 / (+34) 635 693 611

Mail: industrialshields@industrialshields.com

X-ON Electronics

Largest Supplier of Electrical and Electronic Components

Click to view similar products for [Controllers](#) category:

Click to view products by [Industrial Shields](#) manufacturer:

Other Similar products are found below :

[61FGPN8DAC120](#) [CV500SLK21](#) [70177-1011](#) [F03-03 HAS C](#) [F03-31](#) [81550401](#) [FT1A-C12RA-W](#) [88981106](#) [H2CAC24A](#) [H2CRSAC110B](#)
[R88A-CRGB003CR-E](#) [R88ARR080100S](#) [R88A-TK01K](#) [DCN1-1](#) [AFP0RT32CT](#) [DRT2ID08C](#) [DTB4896VRE](#) [DTB9696CVE](#)
[DTB9696LVE](#) [E53-AZ01](#) [E53E01](#) [E53E8C](#) [E5C4Q40J999FAC120](#) [E5CWLQ1TCAC100240](#) [E5GNQ03PFLKACDC24](#) [B300LKL21](#)
[NSCXDC1V3](#) [NSH5-232CW-3M](#) [NT20SST122BV1](#) [NV-CN001](#) [OAS-160-N](#) [C40PEDRA](#) [K31S6](#) [K33-L1B](#) [K3MA-F 100-240VAC](#)
[K3TX-AD31A](#) [89750101](#) [L595020](#) [SRM1-C02](#) [SRS2-1](#) [G32X-V2K](#) [26546803](#) [26546805](#) [PWRA440A](#) [CPM1AETL03CH](#) [CV500SLK11](#)
[3G2A5BI081](#) [3G2A5IA122](#) [3G2A5LK010E](#) [3G2A5OA223](#)