

2ED2182 (4) S06F (J)

650 V half-bridge gate driver with integrated bootstrap diode

Features

- Unique Infineon Thin-Film-Silicon On Insulator (SOI)-Technology
- Negative VS transient immunity of 100 V
- Floating channel designed for bootstrap operation
- Operating voltages (VS node) upto + 650 V
- Maximum bootstrap voltage (VB node) of + 675 V
- Integrated ultra-fast, low resistance bootstrap diode
- Integrated shoot-through protection with built-in dead time
- Logic Operational up to -11 V on VS Pin
- Negative Voltage Tolerance On Inputs of -5 V
- Independent under voltage lockout for both channels
- Schmitt trigger inputs with hysteresis
- 3.3 V, 5 V and 15 V input logic compatible
- Maximum supply voltage of 25 V
- Dual package options of DSO-8 and DSO-14
- High and Low Voltage Pins Separated for Maximum Creepage and Clearance (2ED21824S06J version)
- Separate logic and power ground with the 2ED21824S06J version
- RoHS compliant

Product summary

$V_{S_OFFSET} = 650 \text{ V max}$
 $I_{O+pk} / I_{O-pk}(\text{typ.}) = +2.5 \text{ A} / -2.5 \text{ A}$
 $V_{CC} = 10 \text{ V to } 20 \text{ V}$
 Delay matching = 35 ns max.
 Deadtime (typ.) = 400 ns
 $t_{ON} / t_{OFF}(\text{typ.}) = 200 \text{ ns} / 200 \text{ ns}$

Packages



DSO-8



DSO-14

Potential applications

Driving IGBTs, enhancement mode N-Channel MOSFETs in various power electronic applications.

Typical Infineon recommendations are as below:

- Motor drives, general purpose inverters having TRENCHSTOP™ IGBT6 or 600 V EasyPACK™ modules
- Refrigeration compressors, induction cookers, other major home appliances having RCD series IGBTs or TRENCHSTOP™ family IGBTs or their equivalent power stages
- Battery operated small home appliances such as power tools, vacuum cleaners using low voltage OptiMOST™ MOSFETs or their equivalent power stages
- Totem pole, half-bridge and full-bridge converters in offline AC-DC power supplies for industrial SMPS having high voltage CoolMOS™ super junction MOSFETs or TRENCHSTOP™ H3 and WR5 IGBT series or their equivalent
- High power LED and HID lighting having CoolMOS™ super junction MOSFETs
- Electric vehicle (EV) charging stations and battery management systems
- Driving 650 V SiC MOSFETs in above applications

Product validation

Qualified for industrial applications according to the relevant tests of JEDEC47/20/22

Ordering information

| Base part number | Package type | Standard pack | | Orderable part number |
|------------------------------|--------------|---------------|----------|-----------------------|
| | | Form | Quantity | |
| 2ED2182S06F | DSO-8 | Tape and Reel | 2500 | 2ED2182S06FXUMA1 |
| 2ED21824S06J | DSO-14 | Tape and Reel | 2500 | 2ED21824S06JXUMA1 |

Description

The 2ED2182(4)S06F(J) is a half-bridge high voltage, high speed power MOSFET and IGBT driver with independent high and low side referenced output channels. Based on Infineon's SOI-technology there is an excellent ruggedness and noise immunity with capability to maintain operational logic at negative voltages of up to $-11 V_{DC}$ on VS pin ($V_{CC} = 15 V$) on transient voltages. There are not any parasitic thyristor structures present in the device, hence no parasitic latch up may occur at all temperature and voltage conditions. The logic input is compatible with standard CMOS or LSTTL output, down to 3.3 V logic. The output drivers feature a high pulse current buffer stage designed for minimum driver cross-conduction. The floating channel can be used to drive an N-channel power MOSFET, SiC MOSFET or IGBT in the high side configuration, which operate up to 650 V.

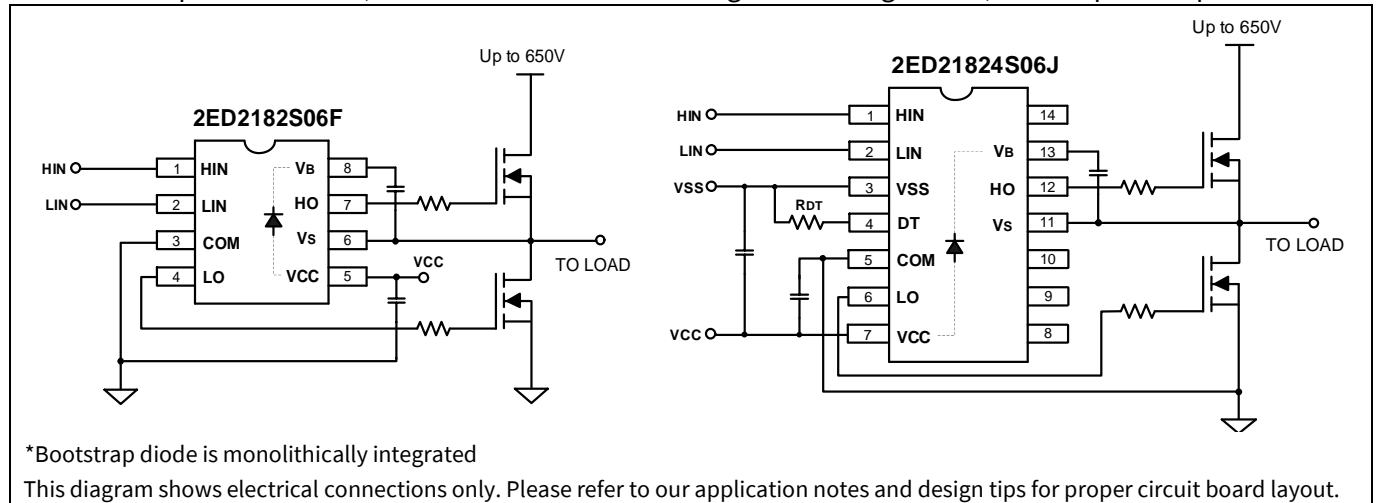


Figure 1 Typical application block diagram

Summary of feature comparison of the 2ED218x family

Table 1

| Part No. | Package | Drive current source / sink | Input logic | Cross conduction prevention logic | Deadtime | Ground pins | t_{ON} / t_{OFF} | |
|------------------------------|----------|-----------------------------|-----------------------|-----------------------------------|-------------------------------|-------------|--------------------|-----------------|
| 2ED2181S06F | DSO - 8 | +2.5 A / -2.5 A | HIN, LIN | No | None | COM | 200 ns / 200 ns | |
| 2ED21814S06J | DSO - 14 | +2.5 A / -2.5 A | | | | VSS / COM | | |
| 2ED2182S06F | DSO - 8 | +2.5 A / -2.5 A | HIN, LIN | Yes | Internal 400 ns | COM | | |
| 2ED21824S06J | DSO - 14 | +2.5 A / -2.5 A | | | Programmable 400 ns - 5000 ns | VSS / COM | | |
| 2ED2183S06F | DSO - 8 | +2.5 A / -2.5 A | HIN, \overline{LIN} | Yes | Internal 400 ns | COM | | |
| 2ED21834S06J | DSO - 14 | +2.5 A / -2.5 A | | | Programmable 400 ns - 5000 ns | VSS / COM | | |
| 2ED2184S06F | DSO - 8 | +2.5 A / -2.5 A | IN, \overline{SD} | Yes | Internal 400 ns | COM | | 600 ns / 200 ns |
| 2ED21844S06J | DSO - 14 | +2.5 A / -2.5 A | | | Programmable 400 ns - 5000 ns | VSS / COM | | |

1 Table of contents

| | |
|---|-----------|
| Product summary | 1 |
| Product validation | 1 |
| Description..... | 2 |
| Summary of feature comparison of the 2ED218x family..... | 2 |
| 1 Table of contents | 3 |
| 2 Block diagram..... | 4 |
| 3 Pin configuration and functionality..... | 5 |
| 3.1 Pin configuration..... | 5 |
| 3.2 Pin functionality | 5 |
| 4 Electrical parameters | 6 |
| 4.1 Absolute maximum ratings..... | 6 |
| 4.2 Recommended operating conditions..... | 6 |
| 4.3 Static electrical characteristics..... | 7 |
| 4.4 Dynamic electrical characteristics..... | 8 |
| 5 Application information and additional details..... | 9 |
| 5.1 IGBT / MOSFET gate drive | 9 |
| 5.2 Switching and timing relationships..... | 9 |
| 5.3 Deadtime and matched propagation delays | 10 |
| 5.4 Input logic compatibility..... | 11 |
| 5.5 Undervoltage lockout | 12 |
| 5.6 Bootstrap diode..... | 12 |
| 5.7 Calculating the bootstrap capacitance C_{BS} | 13 |
| 5.8 Tolerant to negative transients on input pins..... | 14 |
| 5.9 Negative voltage transient tolerance of VS pin..... | 15 |
| 5.10 NTSOA – Negative Transient Safe Operating Area | 16 |
| 5.11 Higher headroom for input to output signal transmission with logic operation upto -11 V..... | 17 |
| 5.12 Maximum switching frequency..... | 17 |
| 5.13 PCB layout tips | 18 |
| 6 Qualification information..... | 20 |
| 7 Related products..... | 20 |
| 8 Package details..... | 21 |
| 9 Part marking information | 22 |
| 10 Additional documentation and resources..... | 23 |
| 10.1 Infineon online forum resources | 23 |
| 11 Revision history | 24 |

2 Block diagram

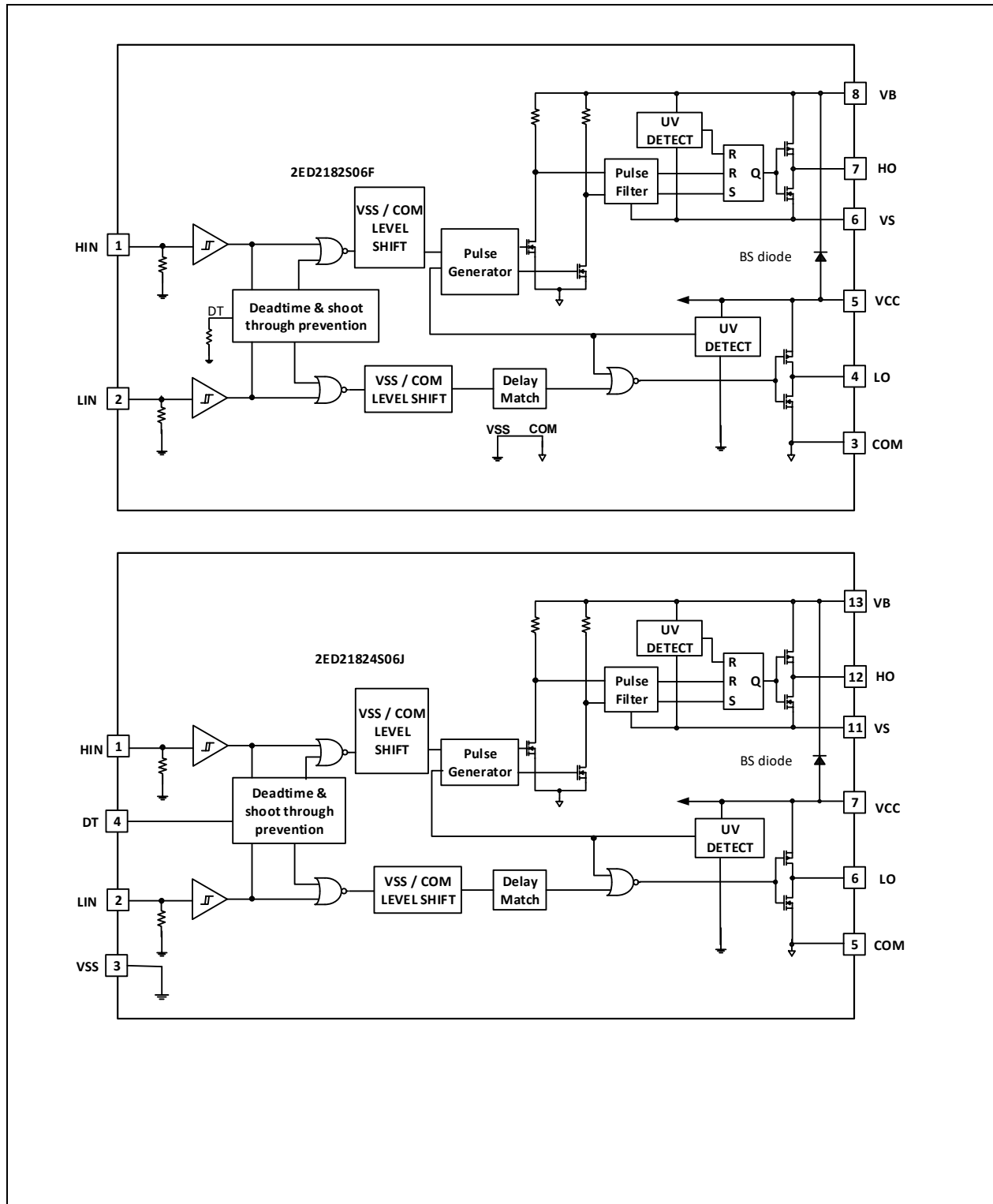


Figure 2 Block diagrams

3 Pin configuration and functionality

3.1 Pin configuration

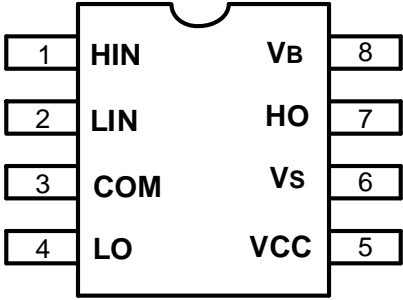
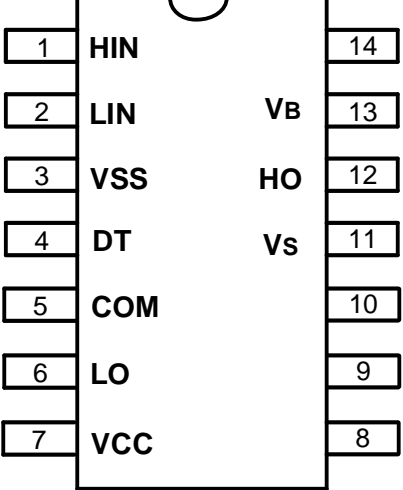
| | |
|---|--|
|  |  |
| 8-Lead DSO-8 (150 mil) 2ED2182S06F | 14-Lead DSO-14 (150 mil) 2ED21824S06J |

Figure 3 2ED2182(4)S06F(J) pin assignments (top view)

3.2 Pin functionality

Table 2

| Symbol | Description |
|--------|---|
| HIN | Logic input for high side gate driver output (HO), in phase with HO |
| LIN | Logic input for low side gate driver output (LO), in phase with LO |
| VSS | Logic ground (2ED21824S06J only) |
| DT | Programmable dead-time, referenced to VSS.(2ED21824S06J only) |
| COM | Low-side gate drive return |
| LO | Low-side driver output |
| VCC | Low-side and logic supply voltage |
| VS | High voltage floating supply return |
| HO | High-side driver output |
| VB | High-side gate drive floating supply |

4 Electrical parameters

4.1 Absolute maximum ratings

Absolute maximum ratings indicate sustained limits beyond which damage to the device may occur. All voltage parameters are absolute voltages referenced to COM unless otherwise stated in the table. The thermal resistance and power dissipation ratings are measured under board mounted and still air conditions.

Table 3 Absolute maximum ratings

| Symbol | Definition | | Min. | Max. | Units |
|------------|--|----------------|-----------------------|----------------|---------------------------|
| V_B | High-side floating well supply voltage (Note 1) | | $V_{CC} - 5$ | 675 | V |
| V_S | High-side floating well supply return voltage | | $V_{CC} - V_{BS} - 5$ | 650 | |
| V_{HO} | Floating gate drive output voltage | | $V_S - 0.5$ | $V_B + 0.5$ | |
| V_{CC} | Low side supply voltage | | -1 | 25 | |
| V_{LO} | Low-side output voltage | | -0.5 | $V_{CC} + 0.5$ | |
| V_{IN} | Logic input voltage (HIN & LIN) | | $-5 / (V_{SS} - 5)$ | $V_{CC} + 0.5$ | |
| V_{SS} | Logic ground (2ED21824S06J only) | | $V_{CC} - 25$ | $V_{CC} + 0.5$ | |
| DT | Programmable dead time pin voltage (2ED21824S06J only) | | $V_{SS} - 5$ | $V_{CC} + 0.5$ | |
| dV_S/dt | Allowable V_S offset supply transient relative to COM | | — | 50 | V/ns |
| P_D | Package power dissipation @ $T_A \leq +25^\circ\text{C}$ | 8-Lead DSO-8 | — | 0.625 | W |
| | | 14-Lead DSO-14 | — | 1 | |
| R_{thJA} | Thermal resistance, junction to ambient | 8-Lead DSO-8 | — | 200 | $^\circ\text{C}/\text{W}$ |
| | | 14-Lead DSO-14 | — | 120 | |
| T_J | Junction temperature | | — | 150 | $^\circ\text{C}$ |
| T_S | Storage temperature | | -55 | 150 | |
| T_L | Lead temperature (soldering, 10 seconds) | | — | 300 | |

Note 1: In case $V_{CC} > V_B$ there is an additional power dissipation in the internal bootstrap diode between pins V_{CC} and V_B .

4.2 Recommended operating conditions

For proper operation, the device should be used within the recommended conditions. All voltage parameters are absolute voltages referenced to COM unless otherwise stated in the table. The offset rating is tested with supplies of $(V_{CC} - \text{COM}) = (V_B - V_S) = 15 \text{ V}$.

Table 4 Recommended operating conditions

| Symbol | Definition | | Min | Max | Units |
|----------|--|--|-----------------------|--------------------|------------------|
| V_B | Bootstrap voltage | | $V_S + 10$ | $V_S + 20$ | V |
| V_{BS} | High-side floating well supply voltage | | 10 | 20 | |
| V_S | High-side floating well supply offset voltage | | $V_{CC} - V_{BS} - 1$ | 650 | |
| V_{HO} | Floating gate drive output voltage | | V_S | V_B | |
| V_{CC} | Low-side supply voltage | | 10 | 20 | |
| V_{LO} | Low-side output voltage | | COM | V_{CC} | |
| V_{IN} | Logic input voltage (HIN & LIN) | | $-4 / (V_{SS} - 4)$ | $5 / (V_{SS} + 5)$ | |
| V_{SS} | Logic ground (2ED21824S06J only) with respect to COM | | -5 | +5 | |
| DT | Programmable dead time pin voltage (2ED21824S06J only) | | $V_{SS} - 4$ | 5 | |
| T_A | Ambient temperature | | -40 | 125 | $^\circ\text{C}$ |

Note 2: Logic operation for V_S of -10 V to $+650 \text{ V}$.

4.3 Static electrical characteristics

$(V_{CC-} - COM) = (V_B - V_S) = 15\text{ V}$, $V_{SS} = COM$ and $T_A = 25\text{ °C}$ unless otherwise specified. The V_{IL} , V_{IH} and I_{IN} parameters are referenced to V_{SS} / COM and are applicable to the respective input leads: HIN and LIN. The V_O and I_O parameters are referenced to V_S / COM and are applicable to the respective output leads HO or LO. The V_{CCUV} parameters are referenced to COM . The V_{BSUV} parameters are referenced to V_S .

Table 5 Static electrical characteristics

| Symbol | Definition | Min. | Typ. | Max. | Units | Test Conditions |
|--------------|---|------|------|------|----------|--|
| V_{BSUV+} | V_{BS} supply undervoltage positive going threshold | 7.6 | 8.2 | 8.9 | V | |
| V_{BSUV-} | V_{BS} supply undervoltage negative going threshold | 6.7 | 7.2 | 8.1 | | |
| V_{BSUVHY} | V_{BS} supply undervoltage hysteresis | — | 1.0 | — | | |
| V_{CCUV+} | V_{CC} supply undervoltage positive going threshold | 8.4 | 9.1 | 9.8 | | |
| V_{CCUV-} | V_{CC} supply undervoltage negative going threshold | 7.5 | 8.2 | 8.9 | | |
| V_{CCUVHY} | V_{CC} supply undervoltage hysteresis | — | 0.9 | — | | |
| I_{LK} | High-side floating well offset supply leakage | — | 1 | 12.5 | uA | $V_B = V_S = 650\text{ V}$ |
| I_{QBS} | Quiescent V_{BS} supply current | — | 170 | — | | All inputs are in the off state |
| I_{QCC} | Quiescent V_{CC} supply current | — | 550 | — | | |
| V_{OH} | High level output voltage drop, $V_{CC-} - V_{LO}$, $V_B - V_{HO}$ | — | 0.05 | 0.2 | V | $I_O = 20\text{ mA}$ |
| V_{OL} | Low level output voltage drop, V_O | — | 0.02 | 0.1 | | |
| I_{O+mean} | Mean output current from 3 V to 6 V | 1.65 | 2.2 | — | A | $C_L = 22\text{ nF}$ |
| I_{O+} | Peak output current turn-on ¹ | — | 2.5 | — | | $V_O = 0\text{ V}$ $PW \leq 10\text{ }\mu\text{s}$ |
| I_{O-mean} | Mean output current from 12 V to 9 V | 1.65 | 2.2 | — | | $C_L = 22\text{ nF}$ |
| I_{O-} | Peak output current turn-off ¹ | — | 2.5 | — | | $V_O = 15\text{ V}$ $PW \leq 10\text{ }\mu\text{s}$ |
| V_{IH} | Logic "1" input voltage | 1.7 | 2.1 | 2.4 | V | $V_{CC} = 10\text{ V to } 20\text{ V}$ |
| V_{IL} | Logic "0" input voltage | 0.7 | 0.9 | 1.1 | | |
| I_{IN+} | Input bias current (Output = High) | — | 25 | 50 | uA | $V_{IN} = 5\text{ V}$ |
| I_{IN-} | Input bias current (Output = Low) | — | — | 1 | | $V_{IN} = 0\text{ V}$ |
| V_{FBSD} | Bootstrap diode forward voltage between V_{CC} and V_B | — | 1 | 1.2 | V | $I_F = 0.3\text{ mA}$ |
| I_{FBSD} | Bootstrap diode forward current between V_{CC} and V_B | 55 | 100 | 145 | mA | $V_{CC} - V_B = 4\text{ V}$ |
| R_{BSD} | Bootstrap diode resistance | 15 | 25 | 40 | Ω | $V_{F1} = 4\text{ V}, V_{F2} = 5\text{ V}$ |
| V_S | Allowable Negative VS pin voltage for IN Signal propagation to HO | — | -11 | -10 | V | $V_{CC} = 15\text{ V}$ |

¹ Not subjected to production test, verified by characterization.

4.4 Dynamic electrical characteristics

$V_{CC} = V_{BS} = 15\text{ V}$, $V_{SS} = \text{COM}$, $T_A = 25\text{ °C}$ and $C_L = 1000\text{ pF}$ unless otherwise specified.

Table 6 Dynamic electrical characteristics

| Symbol | Definition | Min. | Typ. | Max. | Units | Test Conditions |
|-----------|---|------|------|------|-------|--------------------------------------|
| t_{ON} | Turn-on propagation delay | — | 200 | 300 | ns | $V_S = 0\text{ V}$ or 650 V |
| t_{OFF} | Turn-off propagation delay | — | 200 | 300 | | |
| t_R | Turn-on rise time | — | 15 | 30 | | $V_S = 0\text{ V}$ |
| t_F | Turn-off fall time | — | 15 | 30 | | |
| MT | Delay matching time (HS & LS turn-on/off) | — | — | 35 | | |
| DT | Deadtime: LO Turn-off to HO Turn-on & HO Turn-off to LO turn-on | 260 | 400 | 540 | us | RDT=0 Ω |
| | | 4 | 5 | 6 | | RDT=200 k Ω (2ED21824S06J) |
| MDT | Deadtime matching= $ DT_{LO-HO} - DT_{HO-LO} $ | — | — | 60 | ns | RDT=0 Ω |
| | | — | — | 600 | | RDT=200 k Ω (2ED21824S06J) |

5 Application information and additional details

5.1 IGBT / MOSFET gate drive

The 2ED2182 (4) S06F (J) HVIC is designed to drive MOSFET or IGBT power devices. Figures 4 and 5 illustrate several parameters associated with the gate drive functionality of the HVIC. The output current of the HVIC, used to drive the gate of the power switch, is defined as I_O . The voltage that drives the gate of the external power switch is defined as V_{HO} for the high-side power switch and V_{LO} for the low-side power switch; this parameter is sometimes generically called V_{OUT} and in this case does not differentiate between the high-side or low-side output voltage.

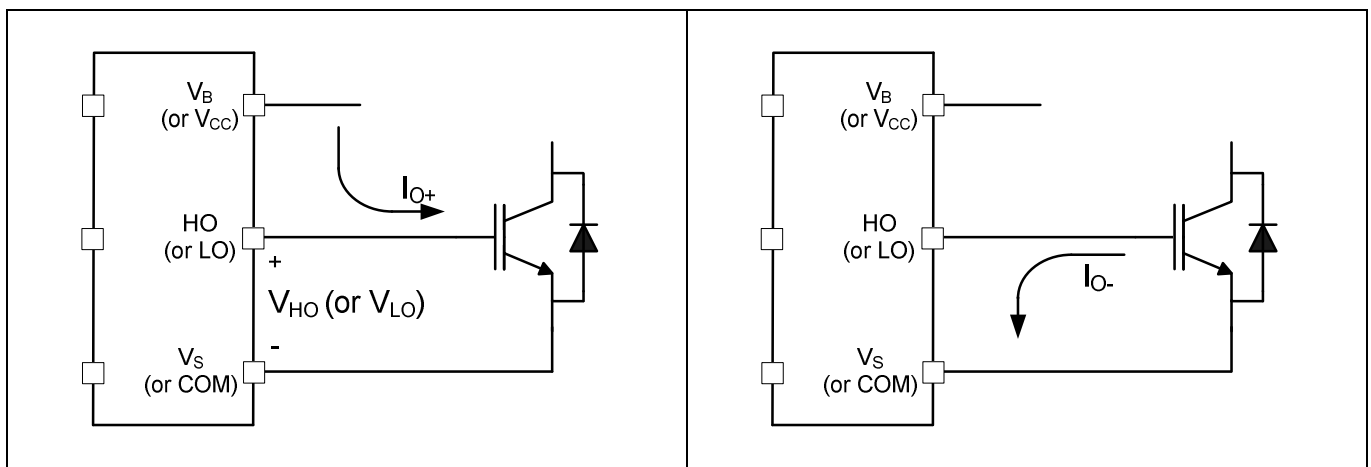


Figure 4 HVIC Sourcing current

Figure 5 HVIC Sinking current

5.2 Switching and timing relationships

The relationships between the input and output signals of the 2ED2182 (4) S06F (J) are illustrated below in Figure 6 and Figure 7. From these figures, we can see the definitions of several timing parameters (i.e. t_{ON} , t_{OFF} , t_R , and t_F) associated with this device.

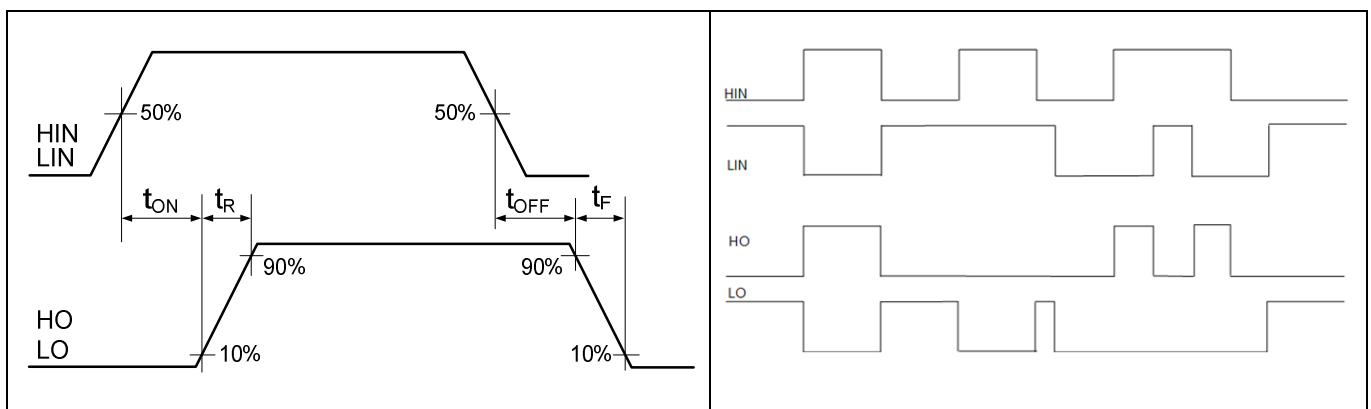


Figure 6 Switching timing diagram

Figure 7 Input/output logic diagram

5.3 Deadtime and matched propagation delays

This 2ED2182 (4) S06F (J) features integrated deadtime protection circuitry. The deadtime is fixed for 2ED2182S06F; is programmable for 2ED2182S06J, it provides greater design flexibility. The deadtime feature inserts a time period (a minimum deadtime) in which both the high- and low-side power switches are held off; this is done to ensure that the power switch being turned off has fully turned off before the second power switch is turned on. This minimum deadtime is automatically inserted whenever the external deadtime is shorter than DT; external deadtimes larger than DT are not modified by the gate driver. Figure 8 illustrates the deadtime period and the relationship between the output gate signals.

The deadtime circuitry of 2ED2182 (4) S06F (J) is matched with respect to the high- and low-side outputs. Figure 9 defines the two deadtime parameters (i.e., DTLO-HO and DTTHO-LO); the deadtime matching parameter (MDT) associated with the 2ED2182S06F (J) specifies the maximum difference between DTLO-HO and DTTHO-LO.

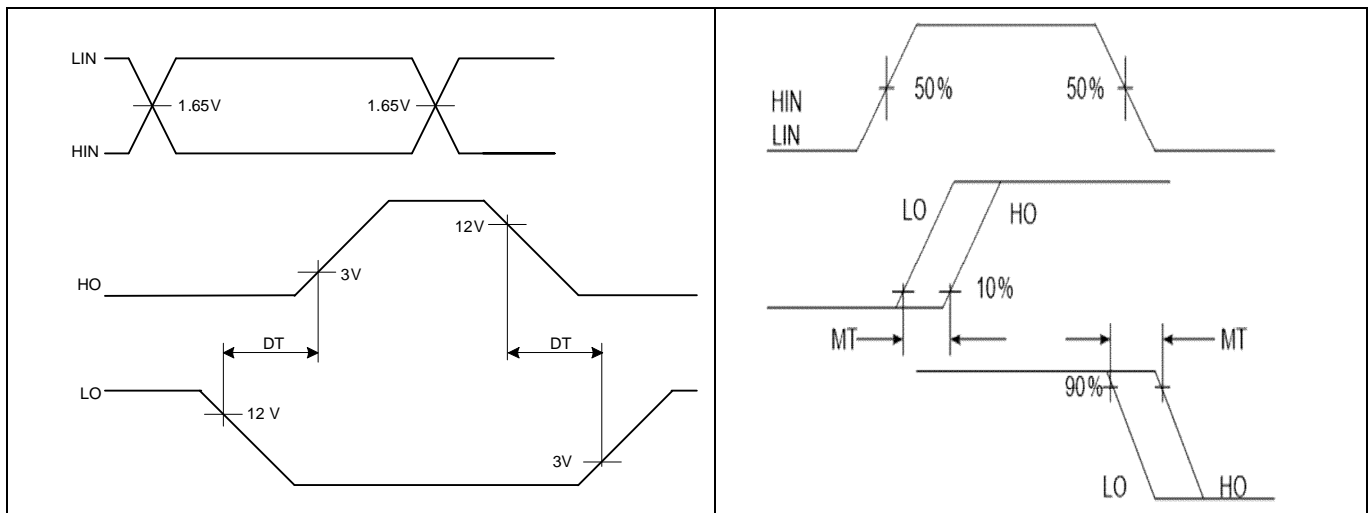


Figure 8 Dead Time Definitions

Figure 9 Delay Matching Waveform Definitions

The 2ED2182 (4) S06F (J) is designed with propagation delay matching circuitry. With this feature, the IC's response at the output to a signal at the input requires approximately the same time duration (i.e., t_{ON} , t_{OFF}) for both the low-side channels and the high-side channels; the maximum difference is specified by the delay matching parameter (MT). The propagation turn-on delay (t_{ON}) of the 2ED2182 (4) S06F (J) is matched to the propagation turn-on delay (t_{OFF}).

The 14-pin variant (2ED21824S06J) provides greater design flexibility with a programmable dead-time feature using an external resistor (RDT) connected between the DT pin and VSS pin as shown in figure 10.

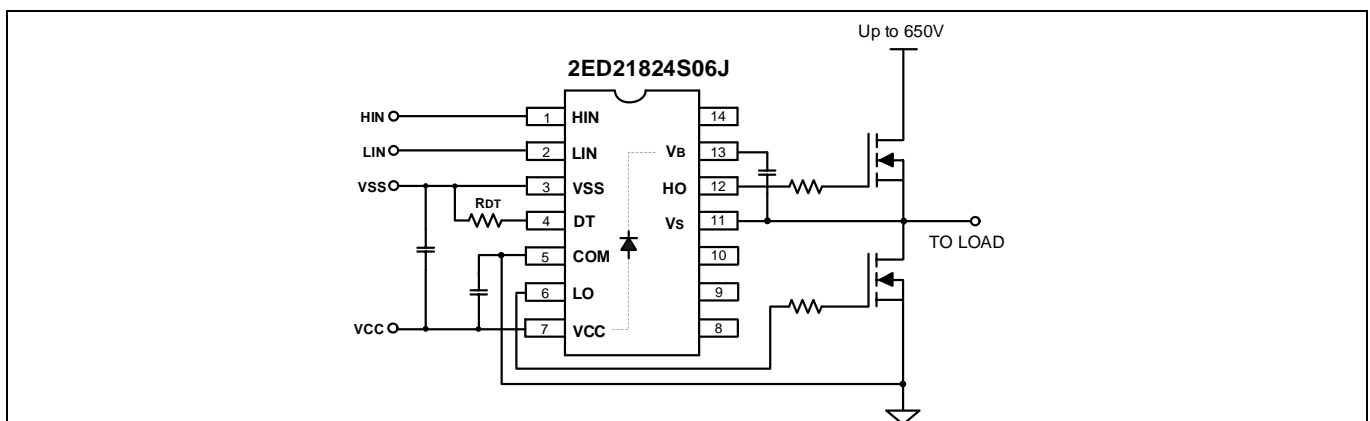


Figure 10 14-pin half-bridge variants having adjustable dead-time feature settable with a resistor

Figure 11 shows the linear relationship between the resistor (RDT) and dead time. Based on the end application, designers can choose to add the external resistor to increase the dead time. In case the DT pin is left open, the gate driver enters protection mode switching off the output stages. Hence this pin has to be connected to VSS pin with a 0 ohm to 200 k resistor based on application requirements. A 0 ohm (or shorted) provides a minimum deadtime of 400 ns and 200 k ohm provides a maximum deadtime of 5 us.

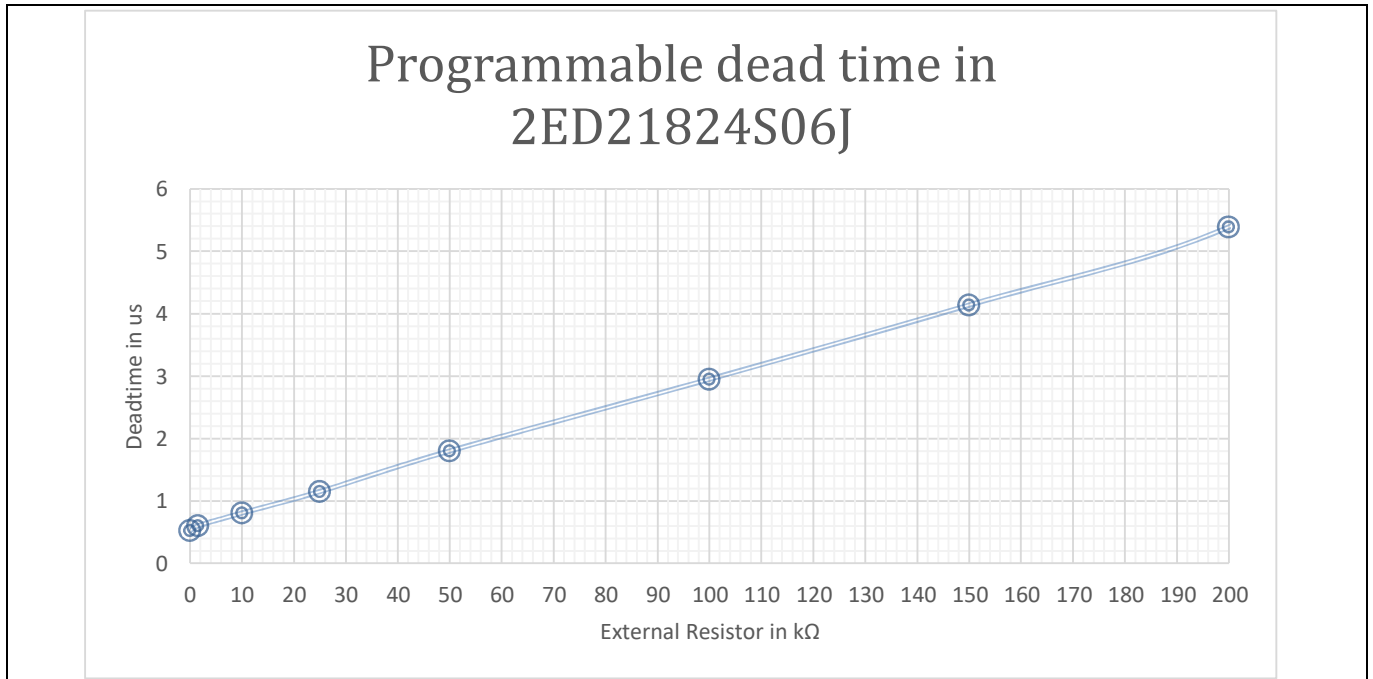


Figure 11 Variation of dead time vs. external resistor

5.4 Input logic compatibility

The input pins of are based on a TTL and CMOS compatible input-threshold logic that is independent of the Vcc supply voltage. With typical high threshold (V_{IH}) of 2.1 V and typical low threshold (V_{IL}) of 0.9 V, along with very little temperature variation as summarized in Figure 12, the input pins are conveniently driven with logic level PWM control signals derived from 3.3 V and 5 V digital power-controller devices. Wider hysteresis (typically 0.9 V) offers enhanced noise immunity compared to traditional TTL logic implementations, where the hysteresis is typically less than 0.5 V. 2ED218x family also features tight control of the input pin threshold voltage levels which eases system design considerations and ensures stable operation across temperature. The 2ED218x features floating input protection wherein if any of the input pin is left floating, the output of the corresponding stage is held in the low state. This is achieved using pull-down resistors on all the input pins (HIN, LIN) as shown in the block diagram. The 2ED218x family has input pins that are capable of sustaining voltages higher than the bias voltage applied on the Vcc pin of the device.

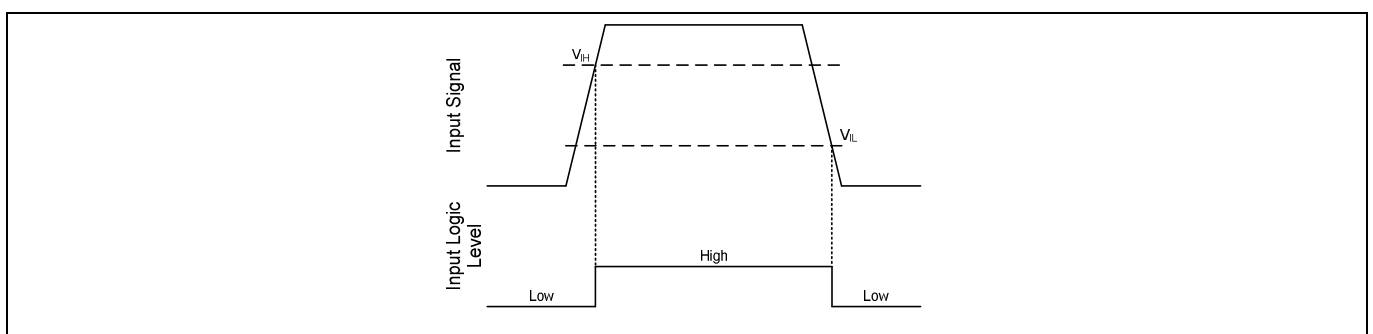


Figure 12 HIN & LIN input thresholds

5.5 Undervoltage lockout

This IC provides undervoltage lockout protection on both the V_{CC} (logic and low-side circuitry) power supply and the V_{BS} (high-side circuitry) power supply. Figure 13 is used to illustrate this concept; V_{CC} (or V_{BS}) is plotted over time and as the waveform crosses the UVLO threshold ($V_{CCUV+/-}$ or $V_{BSUV+/-}$) the undervoltage protection is enabled or disabled.

Upon power-up, should the V_{CC} voltage fail to reach the V_{CCUV+} threshold, the IC won't turn-on. Additionally, if the V_{CC} voltage decreases below the V_{CCUV-} threshold during operation, the undervoltage lockout circuitry will recognize a fault condition and shutdown the high and low-side gate drive outputs.

Upon power-up, should the V_{BS} voltage fail to reach the V_{BSUV+} threshold, the IC won't turn-on. Additionally, if the V_{BS} voltage decreases below the V_{BSUV-} threshold during operation, the undervoltage lockout circuitry will recognize a fault condition, and shutdown the high-side gate drive outputs of the IC.

The UVLO protection ensures that the IC drives the external power devices only when the gate supply voltage is sufficient to fully enhance the power devices. Without this feature, the gates of the external power switch could be driven with a low voltage, resulting in the power switch conducting current while the channel impedance is high; this could result in very high conduction losses within the power device and could lead to power device failure.

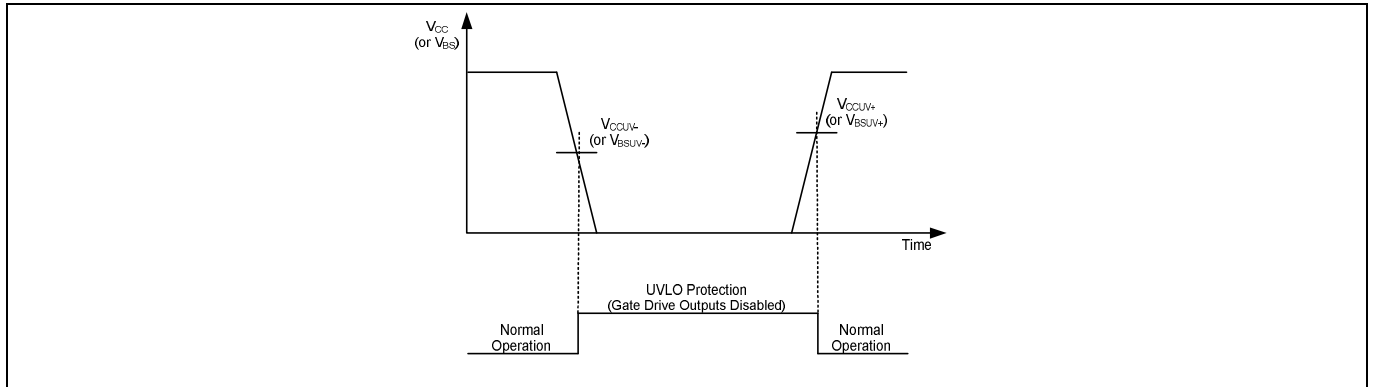


Figure 13 UVLO protection

5.6 Bootstrap diode

An ultra-fast bootstrap diode is monolithically integrated for establishing the high side supply. The differential resistor of the diode helps to avoid extremely high inrush currents when initially charging the bootstrap capacitor. The integrated diode with its resistance helps save cost and improve reliability by reducing external components as shown below figures 14 and 15.

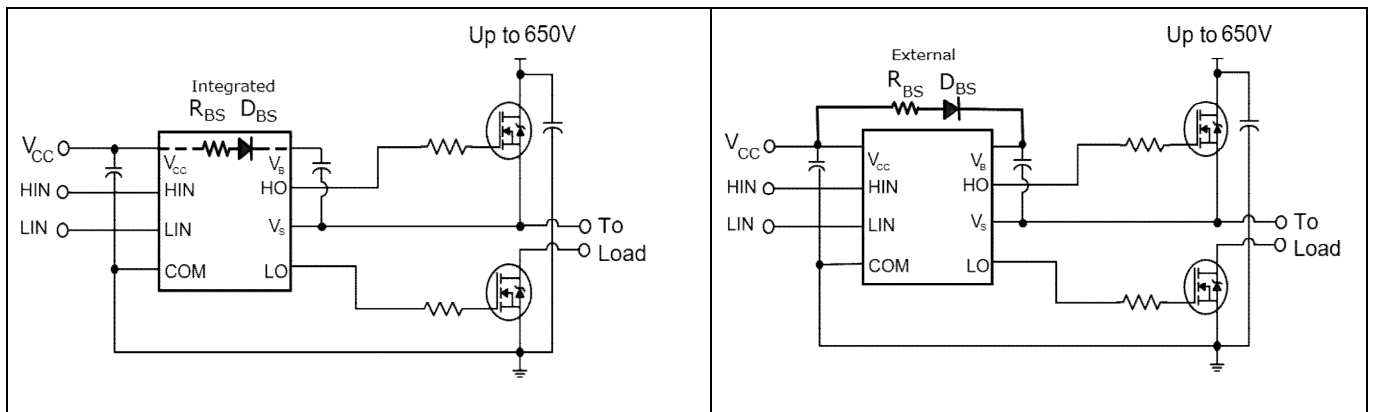


Figure 14 2ED218x with integrated components Figure 15 Standard bootstrap gate driver

The low ohmic current limiting resistor provides essential advantages over other competitor devices with high ohmic bootstrap structures. A low ohmic resistor such as in the 2ED218x family allows faster recharging of the bootstrap capacitor during periods of small duty cycles on the low side transistor. The bootstrap diode is usable for all kind power electronic converters. The bootstrap diode is a real pn-diode and is temperature robust. It can be used at high temperatures with a low duty cycle of the low side transistor.

The bootstrap diode of the 2ED218x family works with all control algorithms of modern power electronics, such as trapezoidal or sinusoidal motor drives control.

5.7 Calculating the bootstrap capacitance C_{BS}

Bootstrapping is a common method of pumping charges from a low potential to a higher one. With this technique a supply voltage for the floating high side sections of the gate drive can be easily established according to Figure 16. This method has the advantage of being simple and low cost but may force some limitations on duty-cycle and on-time since they are limited by the requirement to refresh the charge in the bootstrap capacitor. Proper capacitor choice can reduce drastically these limitations.

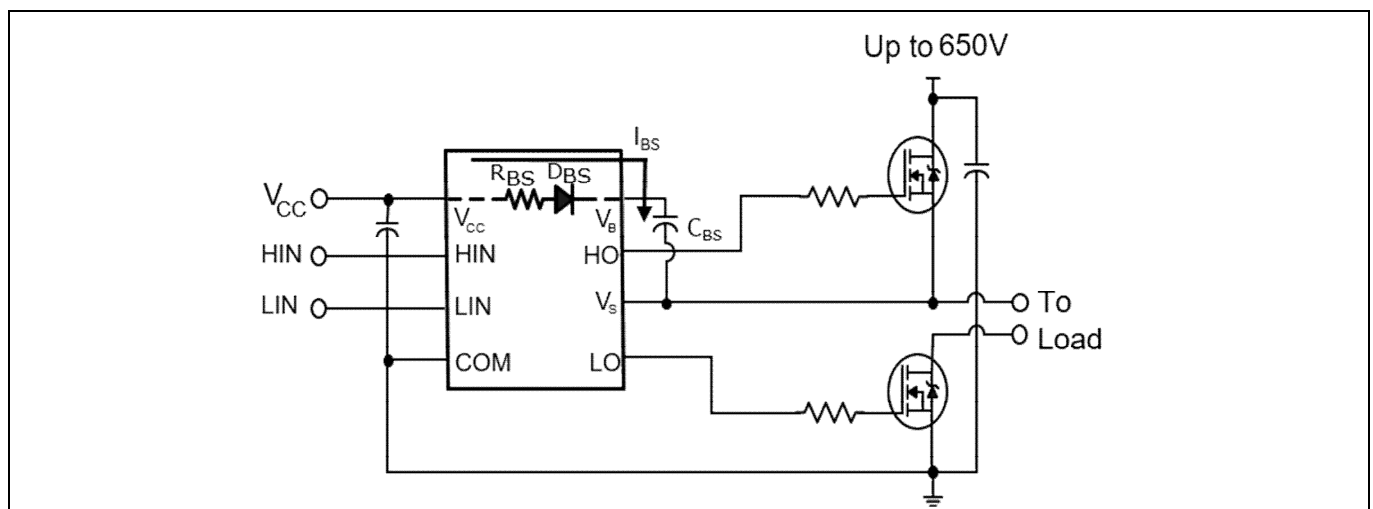


Figure 16 Half bridge bootstrap circuit in 2ED218x

When the low side MOSFET turns on, it will force the potential of pin V_S to GND. The existing difference between the voltage of the bootstrap capacitor $V_{C_{BS}}$ and V_{CC} results in a charging current I_{BS} into the capacitor C_{BS} . The current I_{BS} is a pulse current and therefore the ESR of the capacitor C_{BS} must be very small in order to avoid losses in the capacitor that result in lower lifetime of the capacitor. This pin is on high potential again after low side is turned off and high side is conducting current. But now the bootstrap diode D_{BS} blocks a reverse current, so that the charges on the capacitor cannot flow back to the capacitor C_{VCC} . The bootstrap diode D_{BS} also takes over the blocking voltage between pin V_B and V_{CC} . The voltage of the bootstrap capacitor can now supply the high side gate drive sections. It is a general design rule for the location of bootstrap capacitors C_{BS} , that they must be placed as close as possible to the IC. Otherwise, parasitic resistors and inductances may lead to voltage spikes, which may trigger the undervoltage lockout threshold of the individual high side driver section.

The current limiting resistor R_{BS} according to Figure 16 reduces the peak of the pulse current during the low side MOSFET turn-on. The pulse current will occur at each turn-on of the low side MOSFET, so that with increasing switching frequency the capacitor C_{BS} is charged more frequently. Therefore a smaller capacitor is suitable at higher switching frequencies. The bootstrap capacitor is mainly discharged by two effects: The high side quiescent current and the gate charge of the high side MOSFET to be turned on.

The minimum size of the bootstrap capacitor is given by

$$C_{BS} = \frac{Q_{GTOT}}{\Delta V_{BS}}$$

ΔV_{BS} is the maximum allowable voltage drop at the bootstrap capacitor within a switching period, typically 1 V. It is recommended to keep the voltage drop below the undervoltage lockout (UVLO) of the high side and limit

$$\Delta V_{BS} \leq (V_{CC} - V_F - V_{GSmin} - V_{DSon})$$

$V_{GSmin} > V_{BSUV-}$, V_{GSmin} is the minimum gate source voltage we want to maintain and V_{BSUV-} is the high-side supply undervoltage negative threshold.

V_{CC} is the IC voltage supply, V_F is bootstrap diode forward voltage and V_{DSon} is drain-source voltage of low side MOSFET.

Please note, that the value Q_{TOT} may vary to a maximum value based on different factors as explained below and the capacitor shows voltage dependent derating behavior of its capacitance.

The influencing factors contributing V_{BS} to decrease are:

- MOSFET turn on required Gate charge (Q_G)
- MOSFET gate-source leakage current (I_{LK_GS})
- Floating section quiescent current (I_{QBS})
- Floating section leakage current (I_{LK})
- Bootstrap diode leakage current (I_{LK_DIODE})
- Charge required by the internal level shifters (Q_{LS}): typical 1nC
- Bootstrap capacitor leakage current (I_{LK_CAP})
- High side on time (T_{HON})

Considering the above,

$$Q_{TOT} = Q_G + Q_{LS} + (I_{QBS} + I_{LK_GS} + I_{LK} + I_{LK_DIODE} + I_{LK_CAP}) * T_{HON}$$

I_{LK_CAP} is only relevant when using an electrolytic capacitor and can be ignored if other types of capacitors are used. It is strongly recommend using at least one low ESR ceramic capacitor (paralleling electrolytic capacitor and low ESR ceramic capacitor may result in an efficient solution).

The above C_{BS} equation is valid for pulse by pulse considerations. It is easy to see, that higher capacitance values are needed, when operating continuously at small duty cycles of low side. The recommended bootstrap capacitance is therefore in the range up to 4.7 μF for most switching frequencies. The performance of the integrated bootstrap diode supports the requirement for small bootstrap capacitances.

5.8 Tolerant to negative transients on input pins

Typically the driver's ground pin is connected close to the source pin of the MOSFET or IGBT. The microcontroller which sends the HIN and LIN PWM signals refers to the same ground and in most cases there will be an offset voltage between the microcontroller ground pin and driver ground because of ground bounce. The 2ED218x family can handle negative voltage spikes up to 5 V. The recommended operating level is at negative 4 V with absolute maximum of negative 5 V. Standard half bridge or high-side/low-side drivers only allow negative voltage levels down to -0.3 V. The 2ED218x family has much better noise immunity capability on the input pins.

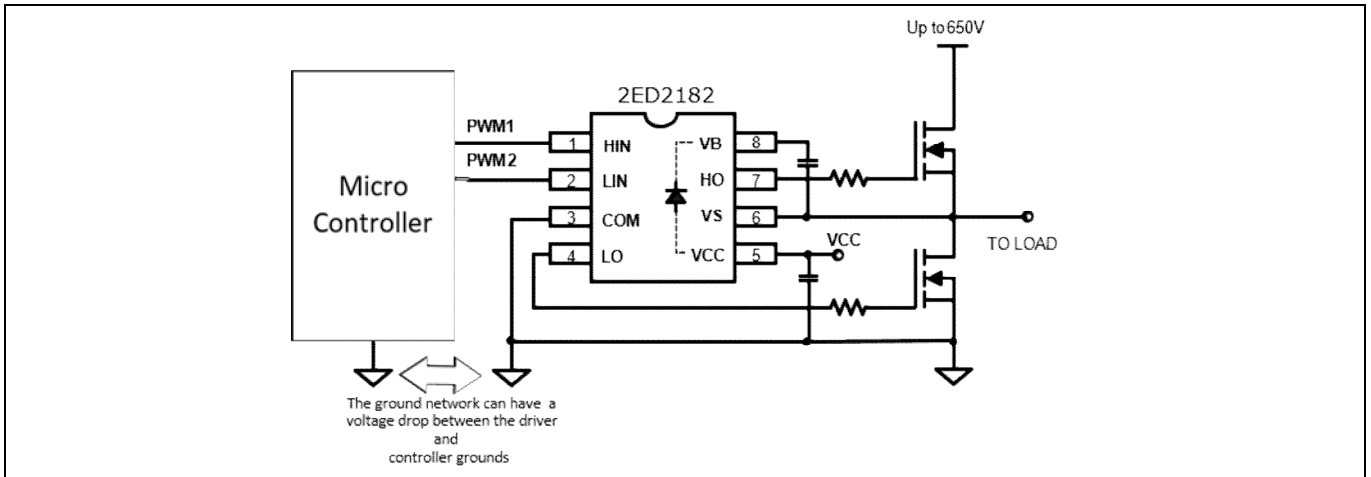


Figure 17 Negative voltage tolerance on inputs of upto -5 V

5.9 Negative voltage transient tolerance of VS pin

A common problem in today’s high-power switching converters is the transient response of the switch node’s voltage as the power switches transition on and off quickly while carrying a large current. A typical 3-phase inverter circuit is shown in Figure 18, here we define the power switches and diodes of the inverter.

If the high-side switch (e.g., the IGBT Q1 in Figures 19 and 20) switches from on to off, while the U phase current is flowing to an inductive load, a current commutation occurs from high-side switch (Q1) to the diode (D2) in parallel with the low-side switch of the same inverter leg. At the same instance, the voltage node V_{S1} , swings from the positive DC bus voltage to the negative DC bus voltage.

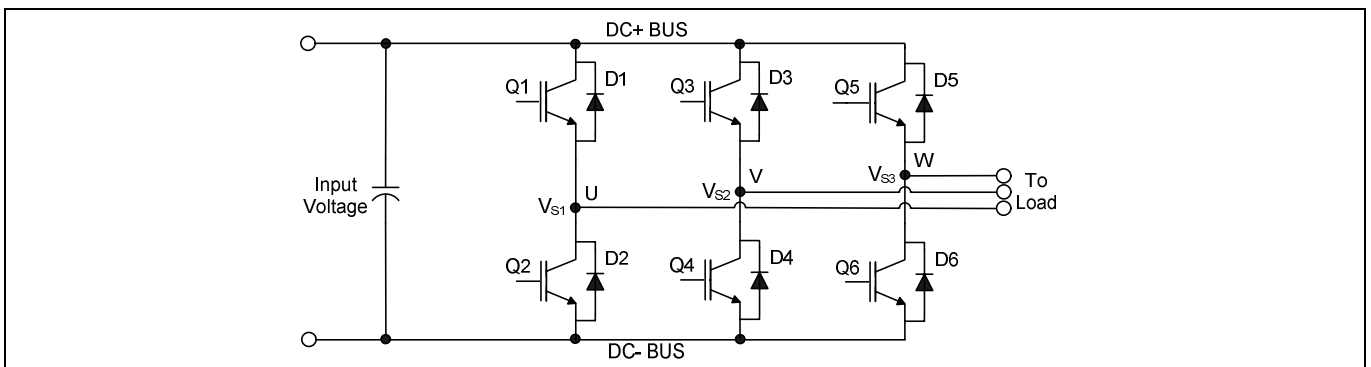


Figure 18 Three phase inverter

Also when the V phase current flows from the inductive load back to the inverter (see Figures 19 C) and D)), and Q4 IGBT switches on, the current commutation occurs from D3 to Q4. At the same instance, the voltage node, V_{S2} , swings from the positive DC bus voltage to the negative DC bus voltage.

However, in a real inverter circuit, the VS voltage swing does not stop at the level of the negative DC bus, rather it swings below the level of the negative DC bus. This undershoot voltage is called “negative V_S transient”

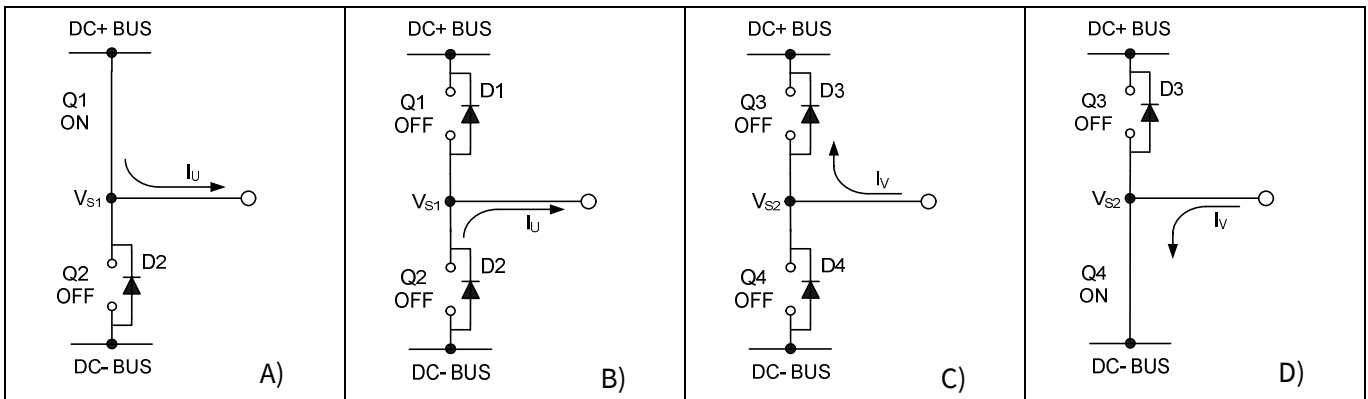


Figure 19 A) Q1 conducting B) D2 conducting C) D3 conducting D) Q4 conducting

The circuit shown in Figure 20-A depicts one leg of the three phase inverter; Figures 20-B and 20-C show a simplified illustration of the commutation of the current between Q1 and D2. The parasitic inductances in the power circuit from the die bonding to the PCB tracks are lumped together in L_C and L_E for each IGBT. When the high-side switch is on, V_{S1} is below the DC+ voltage by the voltage drops associated with the power switch and the parasitic elements of the circuit. When the high-side power switch turns off, the load current momentarily flows in the low-side freewheeling diode due to the inductive load connected to V_{S1} (the load is not shown in these figures). This current flows from the DC- bus (which is connected to the COM pin of the HVIC) to the load and a negative voltage between V_{S1} and the DC- Bus is induced (i.e., the COM pin of the HVIC is at a higher potential than the V_S pin).

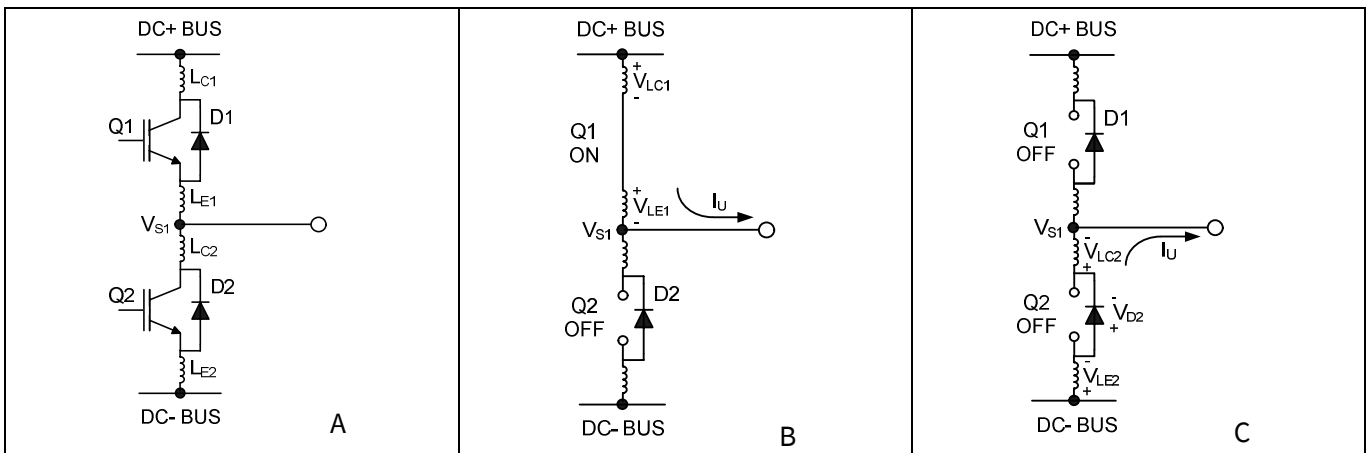


Figure 20 Figure A shows the Parasitic Elements. Figure B shows the generation of V_S positive. Figure C shows the generation of V_S negative

5.10 NTSOA – Negative Transient Safe Operating Area

In a typical motor drive system, dV/dt is typically designed to be in the range of 3 – 5 V / ns. The negative V_S transient voltage can exceed this range during some events such as short circuit and over-current shutdown, when di/dt is greater than in normal operation.

Infineon’s HVICs have been designed for the robustness required in many of today’s demanding applications. An indication of the 2ED2182’s robustness can be seen in Figure 21, where the 2ED2182’s Safe Operating Area is shown at $V_{BS}=15$ V based on repetitive negative V_S spikes. A negative V_S transient voltage falling in the grey area

(outside SOA) may lead to IC permanent damage; viceversa unwanted functional anomalies or permanent damage to the IC do not appear if negative V_s transients fall inside the SOA.

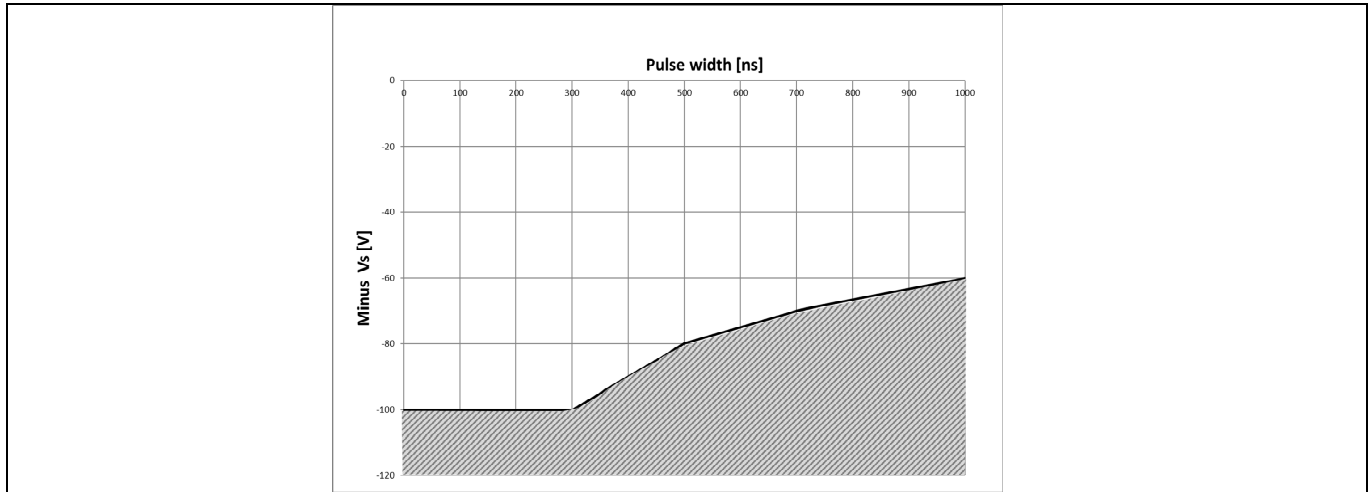


Figure 21 Negative V_s transient SOA for 2ED2182(4)S06F(J) @ $V_{BS}=15$ V

Even though the 2ED2182S06F(J) has been shown able to handle these large negative V_s transient conditions, it is highly recommended that the circuit designer always limit the negative V_s transients as much as possible by careful PCB layout and component use.

5.11 Higher headroom for input to output signal transmission with logic operation upto -11 V

If there is not enough voltage for the level shifter to transmit a valid signal to the high side. High side driver doesn't turn on. The level shifter circuit is with respect to COM (refer to Block Diagram on page 4), the voltage from V_B to COM is the supply voltage of level shifter. Under the condition of V_s is negative voltage with respect to COM, the voltage of $V_s - COM$ is decreased, as shown in Figure 22. There is a minimum operational supply voltage of level shifter, if the supply voltage of level shifter is too low, the level shifter cannot pass through HIN signal to HO. If $V_B - V_s$ voltage is different, the minimum V_s voltage changes accordingly.

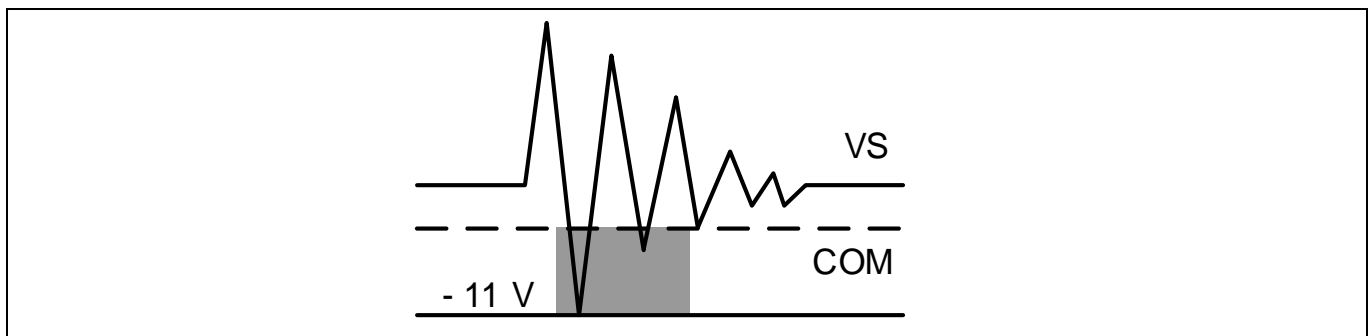


Figure 22 Headroom for HV level shifter data transmission

5.12 Maximum switching frequency

The 2ED218x family is capable of switching at higher frequencies as compared to standard half-bridge or high side / low side gate drivers. They are available in two packages, the PG-DSO-8 and the PG-DSO-14. It is essential to ensure that the component is not thermally overloaded when operating at higher frequencies. This can be checked by means of the thermal resistance junction to ambient and the calculation or measurement of the dissipated power. The thermal resistance is given in the datasheet (section 4) and refers to a specific layout. Changes of this layout may lead to an increased thermal resistance, which will reduce the total dissipated power

of the driver IC. One should therefore do temperature measurements in order to avoid thermal overload under application relevant conditions of ambient temperature and housing.

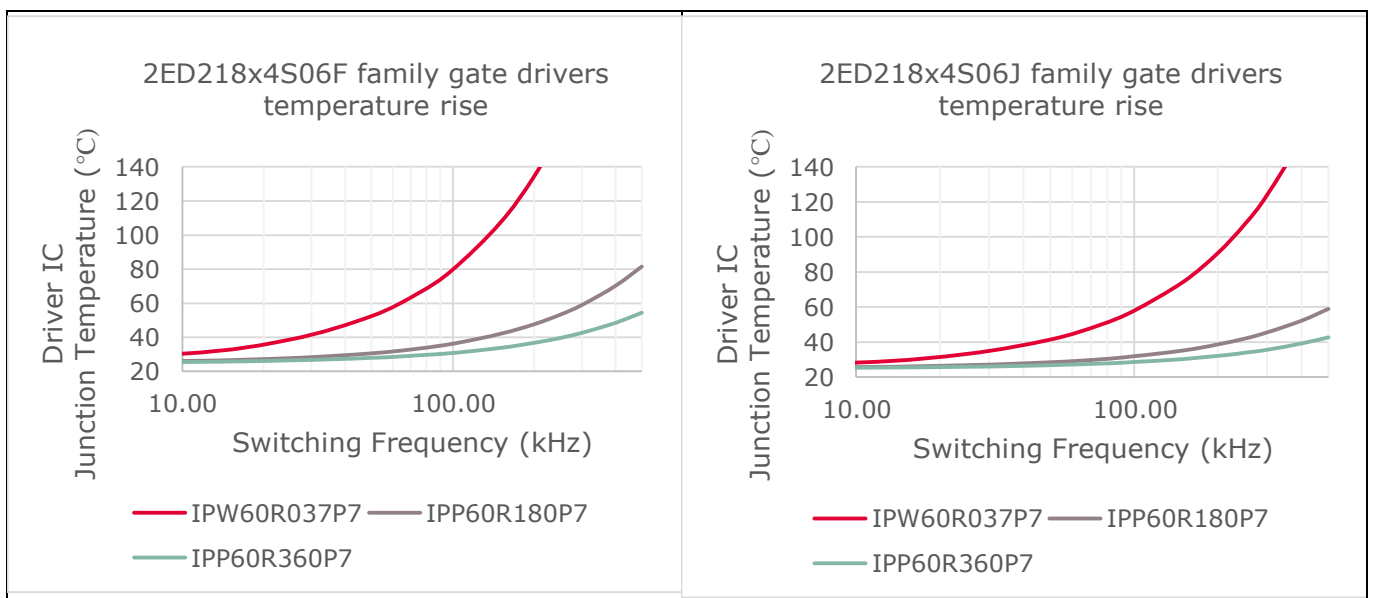
The maximum chip temperature T_J can be calculated with

$$T_J = P_d \cdot R_{thJA} + T_{A_max}$$

, where T_{A_max} is the maximum ambient temperature.

The dissipated power P_d by the driver IC is a combination of several sources. These are explained in detail in the application note “Advantages of Infineon’s Silicon on Insulator (SOI) technology based High Voltage Gate Driver ICs (HVICs)”

From above, we arrive at the below figure 23 which estimates the gate driver IC temperature rise when switching a given MOSFET at different switching frequencies.



*Assumptions for above curves: $T_a = 25\text{ }^\circ\text{C}$, $V_{BUS} = 400\text{ V}$, $V_{CC} = 12\text{ V}$, $R_{gon} = 10\text{ }\Omega$, $R_{goff} = 5\text{ }\Omega$. P7 CoolMOS™ super junction MOSFET power dissipation has to be verified on lab bench for >300 kHz switching frequencies.

Figure 23 Estimated temperature rise in the 2ED218x family gate drivers for different switching frequencies when switching CoolMOS™ SJ MOSFETs

5.13 PCB layout tips

Distance between high and low voltage components: It’s strongly recommended to place the components tied to the floating voltage pins (V_B and V_S) near the respective high voltage portions of the device. Please see the Case Outline information in this datasheet for the details.

Ground Plane: In order to minimize noise coupling, the ground plane should not be placed under or near the high voltage floating side.

Gate Drive Loops: Current loops behave like antennas and are able to receive and transmit EM noise (see Figure 24). In order to reduce the EM coupling and improve the power switch turn on/off performance, the gate drive loops must be reduced as much as possible. Moreover, current can be injected inside the gate drive loop via the IGBT collector-to-gate parasitic capacitance. The parasitic auto-inductance of the gate loop contributes to developing a voltage across the gate-emitter, thus increasing the possibility of a self turn-on effect.

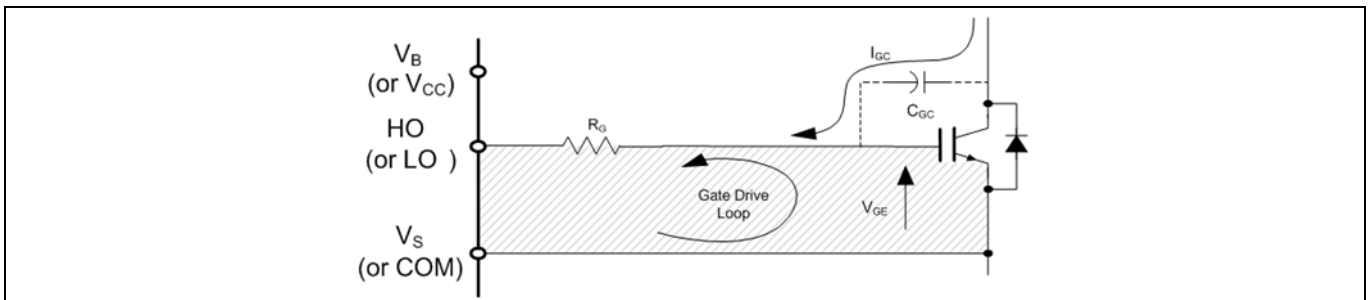


Figure 24 Avoid antenna loops

Supply Capacitor: It is recommended to place a bypass capacitor (C_{IN}) between the V_{CC} and COM pins. A ceramic $1\mu\text{F}$ ceramic capacitor is suitable for most applications. This component should be placed as close as possible to the pins in order to reduce parasitic elements.

Routing and Placement: Power stage PCB parasitic elements can contribute to large negative voltage transients at the switch node; it is recommended to limit the phase voltage negative transients. In order to avoid such conditions, it is recommended to 1) minimize the high-side emitter to low-side collector distance, and 2) minimize the low-side emitter to negative bus rail stray inductance. However, where negative V_S spikes remain excessive, further steps may be taken to reduce the spike. This includes placing a resistor ($5\ \Omega$ or less) between the V_S pin and the switch node (see Figure 25), and in some cases using a clamping diode between COM and V_S (see Figure 26). See DT04-4 at www.infineon.com for more detailed explanations.

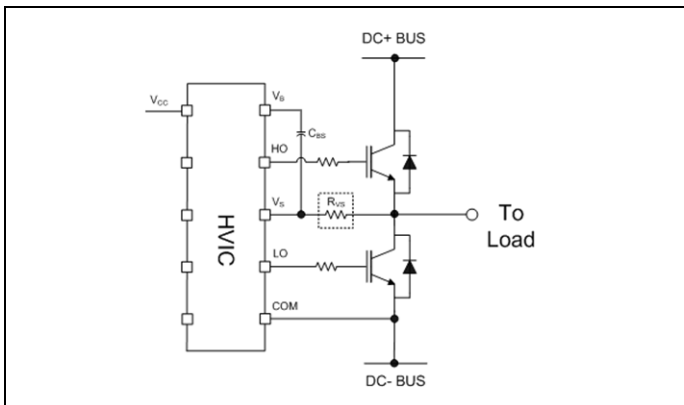


Figure 25 Resistor between the V_S pin and the switch node

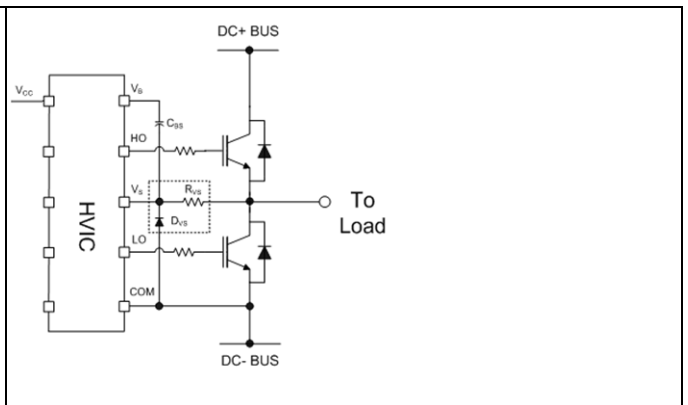


Figure 26 Clamping diode between COM and V_S

6 Qualification information¹

Table 7 Qualification information

| Qualification level | | Industrial ² | |
|----------------------------|----------------------|--|--|
| | | Note: This family of ICs has passed JEDEC's Industrial qualification. Consumer qualification level is granted by extension of the higher Industrial level. | |
| Moisture sensitivity level | | DSO-8 | MSL2, 260°C (per IPC/JEDEC J-STD-020) |
| | | DSO-14 | MSL3 ³ , 260°C (per IPC/JEDEC J-STD-020) |
| ESD | Charged device model | Class C3 (1.0 kV) (per JEDEC standard JS-002) | |
| | Human body model | Class 2 (2 kV) (per JEDEC standard JS-001) | |
| IC latch-up test | | Class II Level A (per JESD78) | |
| RoHS compliant | | Yes | |

7 Related products

Table 8

| Product | Description |
|---------------------------------------|---|
| Gate Driver ICs | |
| 6EDL04I06 / 6EDL04N06 | 600 V, 3 phase level shift thin-film SOI gate driver with integrated high speed, low $R_{DS(ON)}$ bootstrap diodes with over-current protection (OCP), 240/420 mA source/sink current drive, Fault reporting, and Enable for MOSFET or IGBT switches. |
| 2EDL23I06 / 2EDL23N06 | 600 V, Half-bridge thin-film SOI level shift gate driver with integrated high speed, low $R_{DS(ON)}$ bootstrap diode, with over-current protection (OCP), 2.3/2.8 A source/sink current driver, and one pin Enable/Fault function for MOSFET or IGBT switches. |
| Power Switches | |
| IKD04N60R / RE | 600 V TRENCHSTOP™ IGBT with integrated diode in PG-TO252-3 package |
| IKD06N65ET6 | 650 V TRENCHSTOP™ IGBT with integrated diode in DPAK |
| IPD65R950CFD | 650 V CoolMOS CFD2 with integrated fast body diode in DPAK |
| IPN50R950CE | 500 V CoolMOS CE Superjunction MOSFET in PG-SOT223 package |
| iMOTION™ Controllers | |
| IRMCK099 | iMOTION™ Motor control IC for variable speed drives utilizing sensor-less Field Oriented Control (FOC) for Permanent Magnet Synchronous Motors (PMSM). |
| IMC101T | High performance Motor Control IC for variable speed drives based on field oriented control (FOC) of permanent magnet synchronous motors (PMSM). |

¹ Qualification standards can be found at Infineon's web site www.infineon.com

² Higher qualification ratings may be available should the user have such requirements. Please contact your Infineon sales representative for further information.

³ DSO-14 package with MSL2 rating is available if required. Please contact your Infineon sales representative for further information.

8 Package details

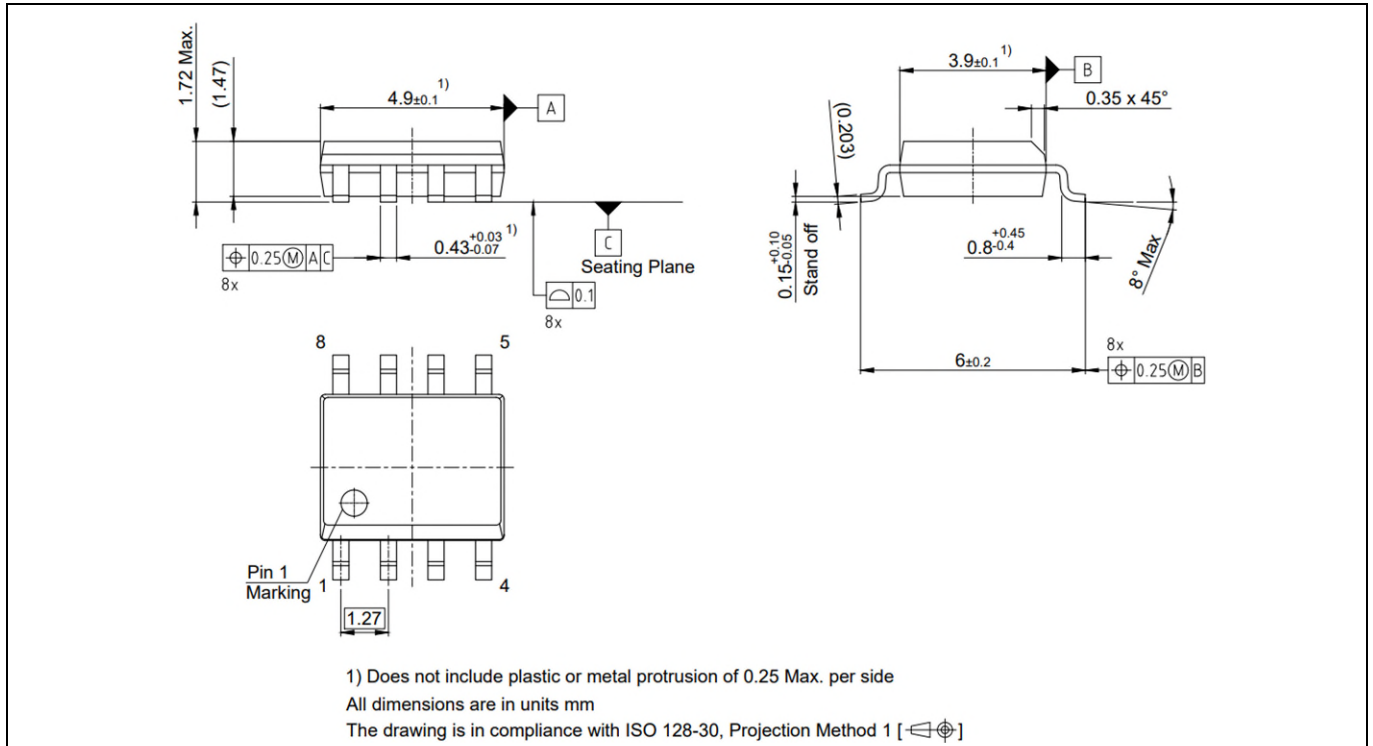


Figure 27 8 - Lead DSO (2ED2182S06F)

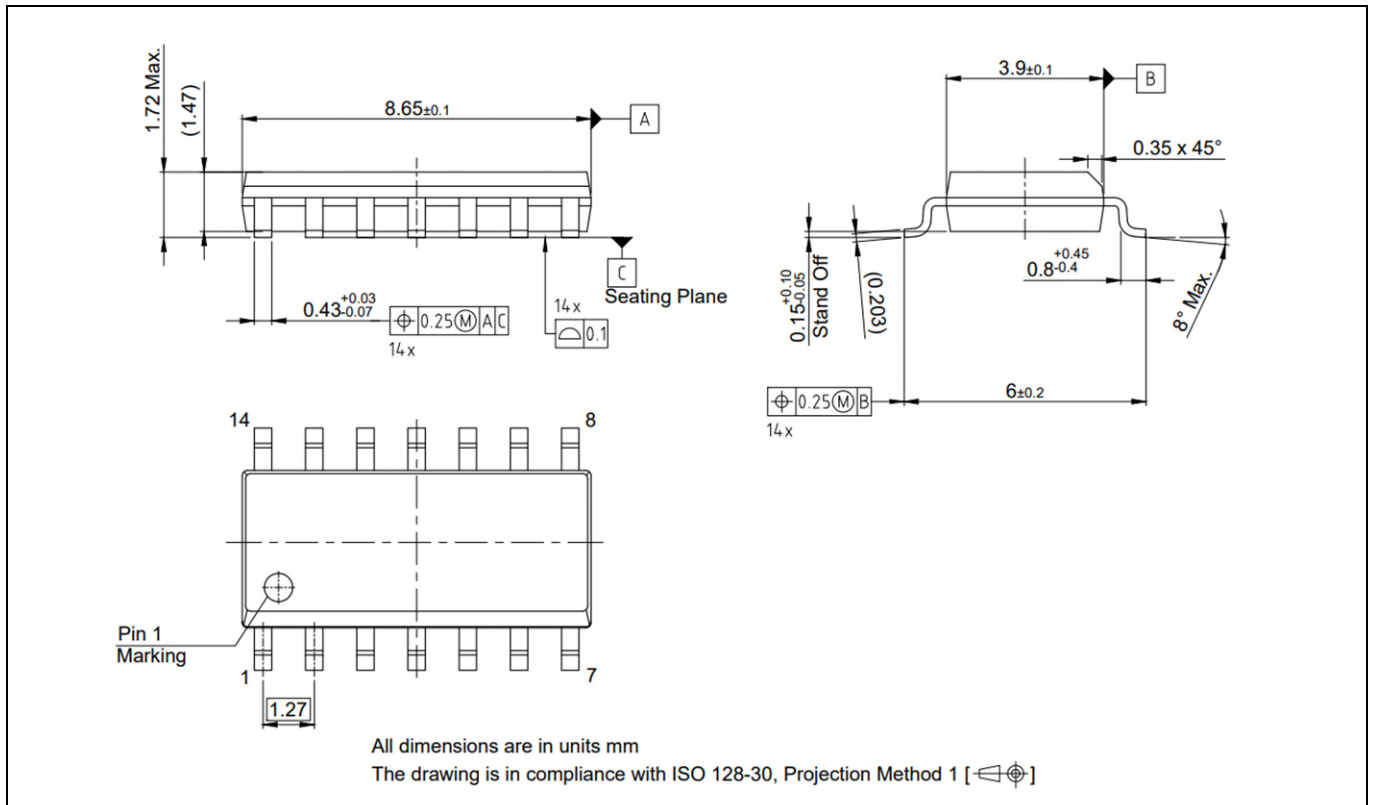


Figure 28 14- Lead DSO (2ED21824S06J)

9 Part marking information

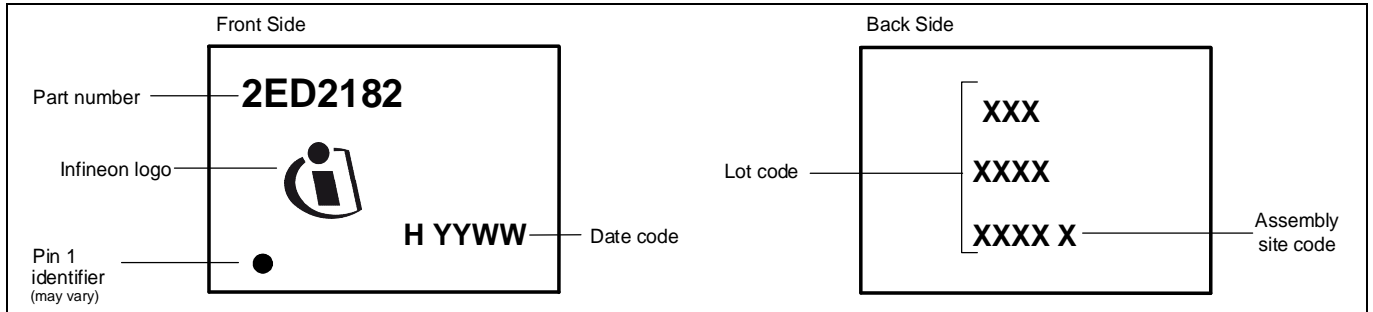


Figure 29 Marking information PG-DSO-8

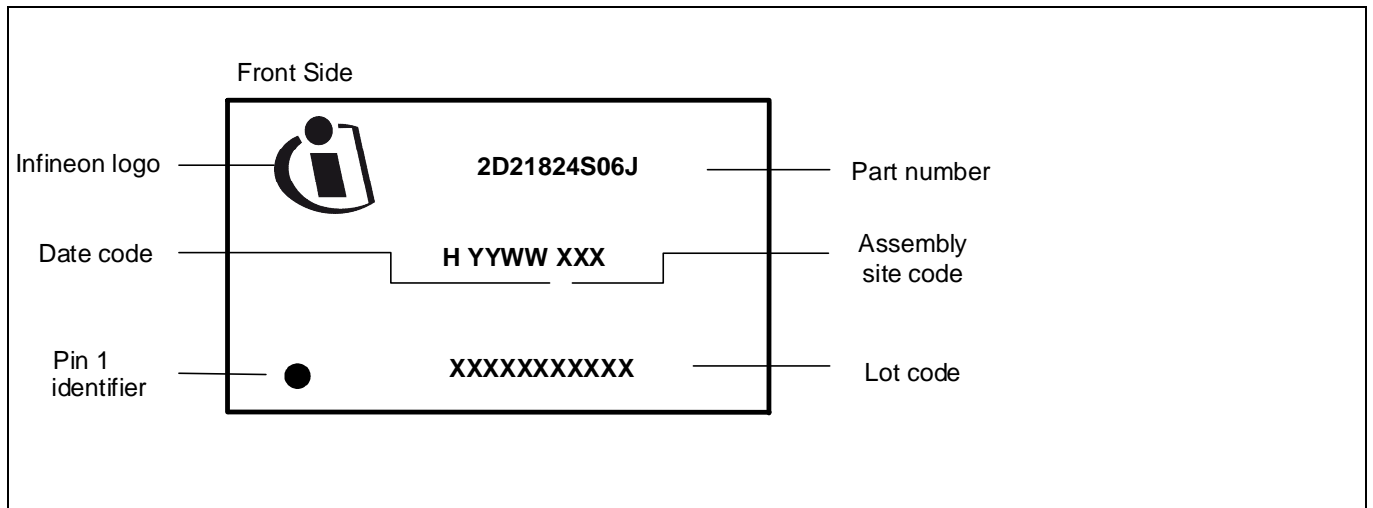


Figure 30 Marking information PG-DSO-14

10 Additional documentation and resources

Several technical documents related to the use of HVICs are available at www.infineon.com; use the Site Search function and the document number to quickly locate them. Below is a short list of some of these documents.

Application Notes:

[Understanding HVIC Datasheet Specifications](#)

[HV Floating MOS-Gate Driver ICs](#)

[Use Gate Charge to Design the Gate Drive Circuit for Power MOSFETs and IGBTs](#)

[Bootstrap Network Analysis: Focusing on the Integrated Bootstrap Functionality](#)

Design Tips:

[Using Monolithic High Voltage Gate Drivers](#)

[Alleviating High Side Latch on Problem at Power Up](#)

[Keeping the Bootstrap Capacitor Charged in Buck Converters](#)

[Managing Transients in Control IC Driven Power Stages](#)

[Simple High Side Drive Provides Fast Switching and Continuous On-Time](#)

10.1 Infineon online forum resources

The Gate Driver Forum is live at Infineon Forums (www.infineonforums.com). This online forum is where the Infineon gate driver IC community comes to the assistance of our customers to provide technical guidance – how to use gate drivers ICs, existing and new gate driver information, application information, availability of demo boards, online training materials for over 500 gate driver ICs. The Gate Driver Forum also serves as a repository of FAQs where the user can review solutions to common or specific issues faced in similar applications.

Register online at the Gate Driver Forum and learn the nuances of efficiently driving a power switch in any given power electronic application.

11 Revision history

| Document version | Date of release | Description of changes |
|------------------|--------------------|---|
| 2.00 | July 30, 2019 | Final Datasheet |
| 2.10 | September 12, 2019 | Revised parameter values in Tables 5 & 7 to match the test conditions. Updated figure 1 to include 14 pin variant typical connection diagram. |
| 2.20 | January 14, 2020 | Revised parameter values in Table 7 to match the test conditions. Added deadtime settings section in page 10-11, revised DSO-14 pin package marking |
| 2.21 | July 07, 2020 | IC latch-up test per JESD78 |

Trademarks

All referenced product or service names and trademarks are the property of their respective owners.

Edition 2020-07-07

Published by

Infineon Technologies AG

81726 Munich, Germany

© 2020 Infineon Technologies AG.

All Rights Reserved.

Do you have a question about this document?

Email: erratum@infineon.com

Document reference

IMPORTANT NOTICE

The information given in this document shall in no event be regarded as a guarantee of conditions or characteristics ("Beschaffheitsgarantie").

With respect to any examples, hints or any typical values stated herein and/or any information regarding the application of the product, Infineon Technologies hereby disclaims any and all warranties and liabilities of any kind, including without limitation warranties of non-infringement of intellectual property rights of any third party.

In addition, any information given in this document is subject to customer's compliance with its obligations stated in this document and any applicable legal requirements, norms and standards concerning customer's products and any use of the product of Infineon Technologies in customer's applications.

The data contained in this document is exclusively intended for technically trained staff. It is the responsibility of customer's technical departments to evaluate the suitability of the product for the intended application and the completeness of the product information given in this document with respect to such application.

For further information on the product, technology delivery terms and conditions and prices please contact your nearest Infineon Technologies office (www.infineon.com).

WARNINGS

Due to technical requirements products may contain dangerous substances. For information on the types in question please contact your nearest Infineon Technologies office.

Except as otherwise explicitly approved by Infineon Technologies in a written document signed by authorized representatives of Infineon Technologies, Infineon Technologies' products may not be used in any applications where a failure of the product or any consequences of the use thereof can reasonably be expected to result in personal injury.

X-ON Electronics

Largest Supplier of Electrical and Electronic Components

Click to view similar products for [Gate Drivers](#) category:

Click to view products by [Infineon](#) manufacturer:

Other Similar products are found below :

[89076GBEST](#) [00053P0231](#) [56956](#) [57.404.7355.5](#) [LT4936](#) [57.904.0755.0](#) [5882900001](#) [00600P0005](#) [00-9050-LRPP](#) [00-9090-RDPP](#)
[5951900000](#) [01-1003W-10/32-15](#) [0131700000](#) [00-2240](#) [LTP70N06](#) [LVP640](#) [5J0-1000LG-SIL](#) [LY1D-2-5S-AC120](#) [LY2-US-AC240](#) [LY3-](#)
[UA-DC24](#) [00576P0020](#) [00600P0010](#) [LZN4-UA-DC12](#) [LZNQ2M-US-DC5](#) [LZNQ2-US-DC12](#) [LZP40N10](#) [00-8196-RDPP](#) [00-8274-RDPP](#)
[00-8275-RDNP](#) [00-8609-RDPP](#) [00-8722-RDPP](#) [00-8728-WHPP](#) [00-8869-RDPP](#) [00-9051-RDPP](#) [00-9091-LRPP](#) [00-9291-RDPP](#) [0207100000](#)
[0207400000](#) [01312](#) [0134220000](#) [60713816](#) [M15730061](#) [61161-90](#) [61278-0020](#) [6131-204-23149P](#) [6131-205-17149P](#) [6131-209-15149P](#)
[6131-218-17149P](#) [6131-220-21149P](#) [6131-260-2358P](#)