



## Description

### Description

2ED4820-EM is a gate driver designed for high current 48 V automotive applications, with powerful gate outputs to drive many MOSFETs in parallel in order to minimize the conduction losses. It supports the back-to-back configuration, both common source and common drain structures, thanks to its two gate outputs.

In common source configuration, one gate output can be used to pre-charge highly capacitive loads.

2ED4820-EM generates the supply for the gate outputs based on an integrated one-stage charge pump with external pump and tank capacitors.

2ED4820-EM comes with an SPI interface, for easy configuration, diagnosis and control.

Several protection mechanisms are provided:

- Supply under- and overvoltage detection with configurable restart timer
- Charge pump undervoltage detection
- Gate to source undervoltage detection with immediate lock-out to prevent linear mode conduction of the MOSFETs
- Configurable drain to source overvoltage detection, which can also be deactivated
- Configurable overcurrent protection based on an analog current sense amplifier compatible for high-side or low-side shunt topologies
- Internal overtemperature warning and protection

An interrupt pin informs the MCU whenever one of these protections is triggered. Status registers can then be read by the MCU to understand what was the trigger for the notification.

The output of the current sense amplifier can be monitored by the MCU to implement additional protections, such as wire overtemperature.

In addition, 2ED4820-EM enables to implement an open load detection mechanism, checking the source voltage of the MOSFETs with respect to ground in the OFF state.

## Table of contents

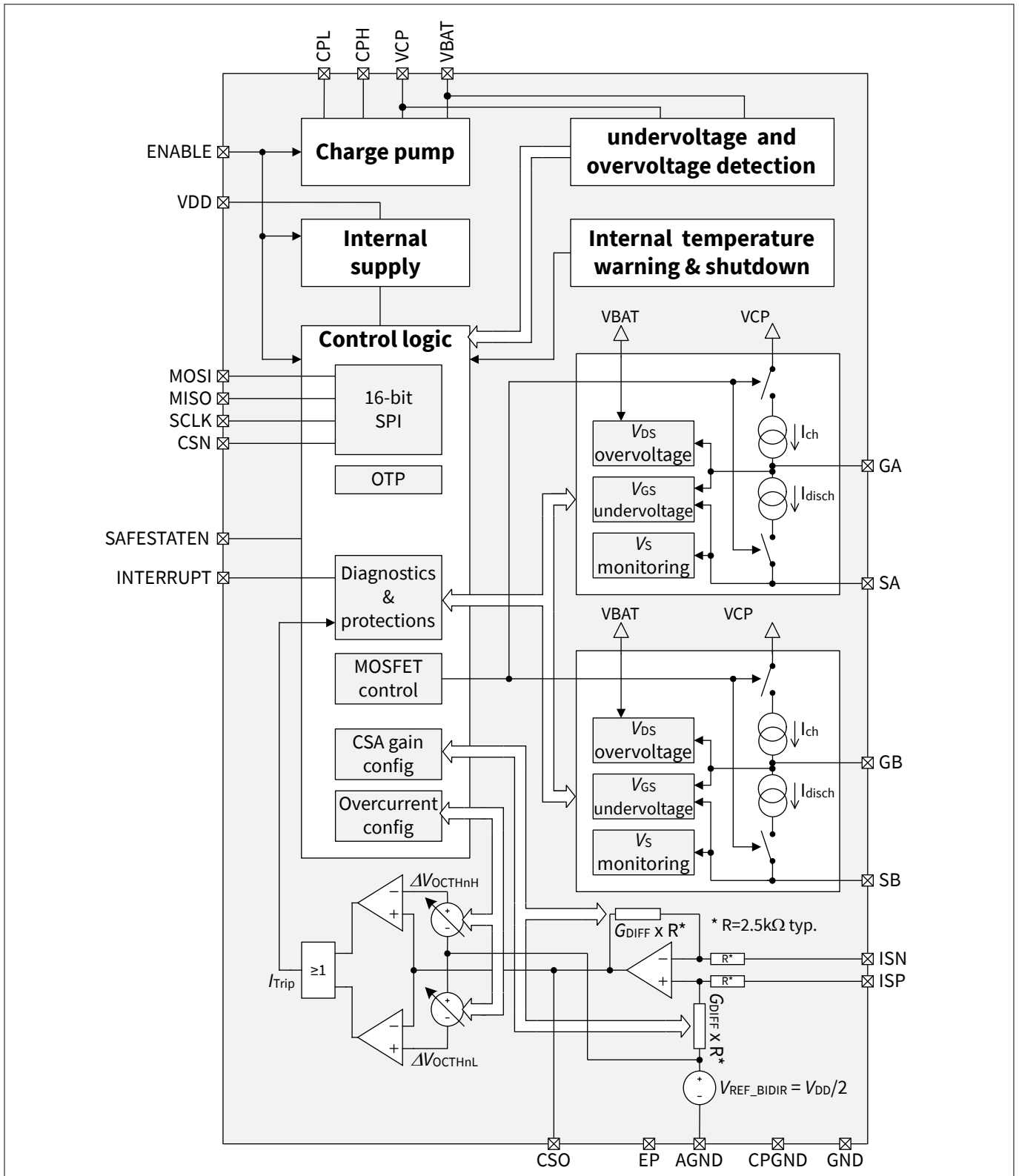
	<b>Features</b> .....	1
	<b>Potential applications</b> .....	1
	<b>Product validation</b> .....	1
	<b>Description</b> .....	2
	<b>Table of contents</b> .....	3
<b>1</b>	<b>Block diagram</b> .....	5
<b>2</b>	<b>Pin configuration</b> .....	6
<b>3</b>	<b>General product characteristic</b> .....	8
3.1	Absolute maximum ratings .....	8
3.2	Functional range .....	9
3.3	Thermal resistance .....	10
<b>4</b>	<b>General product description</b> .....	11
4.1	Power supply .....	11
4.2	Operation mode .....	11
4.2.1	Normal mode .....	11
4.2.2	Sleep mode .....	11
4.2.3	Safe state mode .....	11
4.2.4	Reset behavior .....	12
4.3	Charge pump .....	12
4.4	Electrical characteristics: supply .....	13
4.5	Electrical characteristics: digital IOs .....	13
4.6	Electrical characteristics: charge pump .....	14
<b>5</b>	<b>High-side gate driver</b> .....	16
5.1	Channel activation .....	16
5.2	Channel deactivation .....	17
5.3	MOSFET driver output .....	17
<b>6</b>	<b>Protection and monitoring</b> .....	19
6.1	Monitorings .....	19
6.1.1	Source voltage monitoring in OFF state .....	19
6.1.2	Charge pump voltage monitoring .....	19
6.1.3	SPI address monitoring .....	19
6.2	Warnings .....	19
6.2.1	Temperature warning .....	19
6.2.2	One time programmable (OTP) memory data corruption .....	19
6.2.3	Ground loss .....	19
6.3	Failures detection .....	20

**Table of contents**

6.3.1	Failure notification and clearing .....	20
6.3.2	Non-latching failures .....	20
6.3.2.1	VBAT overvoltage .....	20
6.3.2.2	VBAT undervoltage .....	21
6.3.3	Latching failures .....	21
6.3.3.1	Blank time and filter time for failures detections .....	21
6.3.3.1.1	Blank time .....	21
6.3.3.1.2	Filter time .....	23
6.3.3.2	Drain-source overvoltage .....	23
6.3.3.3	Gate-source undervoltage .....	24
6.3.3.4	Channel cross-control .....	24
6.3.3.5	VDD undervoltage .....	24
6.3.3.6	VCP undervoltage .....	24
6.3.3.7	SAFESTATEN activation .....	24
6.3.3.8	Overtemperature .....	25
6.3.3.9	Current sense amplifier and overcurrent comparator .....	25
6.3.3.9.1	Gain configuration .....	25
6.3.3.9.2	Current sense position .....	25
6.3.3.9.3	Current sense output load .....	25
6.3.3.9.4	Overcurrent detection .....	26
6.3.3.9.5	Electrical characteristics: current sense .....	26
6.4	INTERRUPT pin control .....	29
6.5	Electrical characteristics: protection and monitoring .....	29
<b>7</b>	<b>SPI</b> .....	<b>33</b>
7.1	Communication start .....	33
7.2	Communication end .....	34
7.3	SPI: electrical characteristics: timings .....	34
7.4	Daisy Chain .....	35
7.5	SPI Protocol .....	35
<b>8</b>	<b>Register specification</b> .....	<b>36</b>
8.1	Control registers .....	36
<b>9</b>	<b>Application information</b> .....	<b>40</b>
9.1	48 V battery protection switch with low-side current sense and capacitive pre-charge .....	40
9.2	Common drain with high-side current sense .....	41
9.3	Bill of material .....	41
<b>10</b>	<b>Package</b> .....	<b>43</b>
	<b>Revision history</b> .....	<b>44</b>
	<b>Disclaimer</b> .....	<b>45</b>

**1 Block diagram**

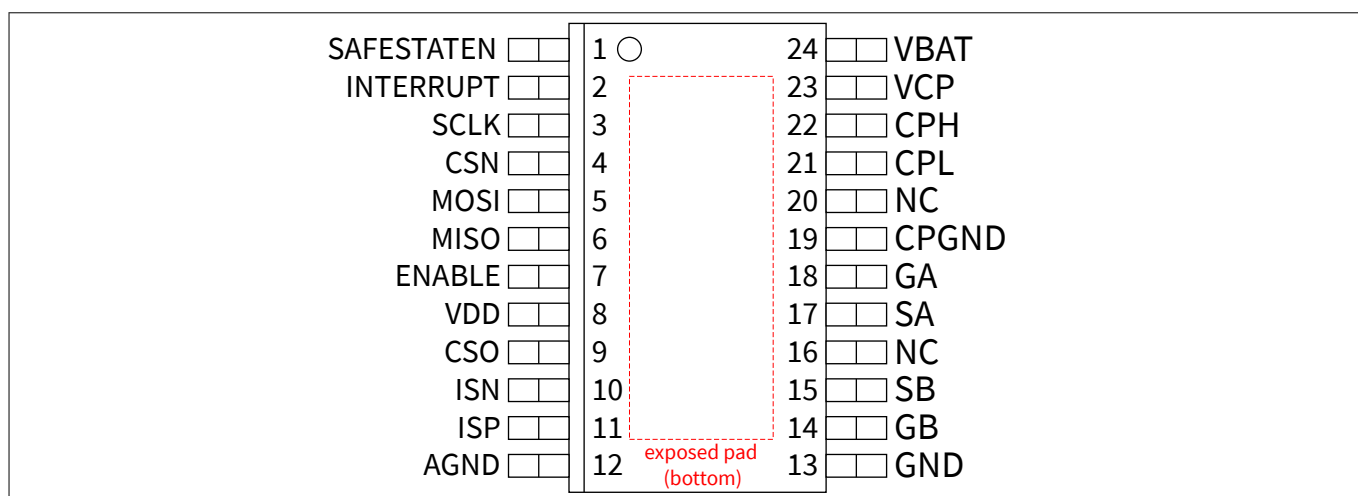
**1 Block diagram**



**Figure 2 Block diagram**

**2 Pin configuration**

**2 Pin configuration**



**Figure 3 Pin assignment**

**Table 1 Pin definitions and functions**

Pin No.	Function	Symbol	Comment
1	μController	SAFESTATEN	Watchdog connection for safe state mode
2	μController	INTERRUPT	Interrupt signal output
3	SPI	SCLK	SPI clock input with internal pull-down
4	SPI	CSN	Chip select not with internal pull-up
5	SPI	MOSI	Master out slave in with internal pull-down
6	SPI	MISO	Master in slave out
7	μController	ENABLE	Switch device ON/OFF with internal pull-down
8	Supply	VDD	Main supply
9	μController	CSO	Current sense amplifier output
10	V-Sensing	ISN	Negative input for shunt voltage
11	V-Sensing	ISP	Positive input for shunt voltage
12	Supply	AGND	Analog GND
13	Supply	GND	Common usage ground
14	Gate connection	GB	Gate connection to channel B
15	Source connection	SB	Source connection to channel B
16		NC	Not connected
17	Source connection	SA	Source connection to channel A
18	Gate connection	GA	Gate connection to channel A
19	Supply	CPGND	Charge pump GND
20		NC	Not connected
21	ChargePump	CPL	Negative terminal of CP capacitor

**(table continues...)**

---

**2 Pin configuration**

**Table 1** (continued) **Pin definitions and functions**

<b>Pin No.</b>	<b>Function</b>	<b>Symbol</b>	<b>Comment</b>
22	ChargePump	CPH	Positive terminal of CP capacitor
23	ChargePump	VCP	Charge pump output / connection buffer capacitor
24	Supply	VBAT	48 V supply
		E.P.	Exposed pad (for cooling purpose only, do not use as electrical GND)

**3 General product characteristic**

**3 General product characteristic**

**3.1 Absolute maximum ratings**

Unless otherwise specified:  $T_J = -40^{\circ}\text{C}$  to  $+150^{\circ}\text{C}$ ; all voltages are referenced to GND.

**Table 2 Absolute maximum ratings**

Parameter	Symbol	Values			Unit	Note or condition	P-Number
		Min.	Typ.	Max.			
VBAT supply voltage	$V_{BAT}$	-0.3	–	105	V	1)	PRQ-9
Gate voltage with respect to Source	$V_{GX\_S}$	-0.3	–	18	V	1)	PRQ-11
Gate voltage with respect to VBAT	$V_{GX\_BAT}$	-80	–	18	V	1)	PRQ-10
Gate voltage	$V_{GX}$	-80	–	$V_{CP}$	V	1)	PRQ-12
Source voltage	$V_{SX}$	-90	–	105	V	1)	PRQ-199
Source voltage with respect to VBAT	$V_{SX\_VBAT}$	-90	–	2	V	1)	PRQ-92
VDD logic supply voltage	$V_{DD}$	-0.3	–	5.5	V	1)	PRQ-98

**Current sense**

ISP and ISN voltage	$V_{ISP}, V_{ISN}$	-6	–	105	V	1)	PRQ-13
ISP and ISN voltage with respect to VBAT	$V_{ISP\_ISN\_VBAT}$	-105	–	2	V	1)	PRQ-542
ISP and ISN differential voltage	$V_{ISP\_ISN\_DIFF}$	-5	–	5	V	1)	PRQ-204
CSO voltage	$V_{CSO}$	-0.3	–	$V_{DD}+0.3$	V	1)	PRQ-97

**Logic**

Logic input voltages (SCLK, CSN, MOSI, SAFESTATEN, ENABLE)	$V_{SCLK}, V_{CSN}, V_{MOSI}, V_{SAFESTATEN}, V_{ENABLE}$	-0.3	–	$V_{DD}+0.3$	V	1)	PRQ-94
Logic output voltages (MISO, INTERRUPT)	$V_{MISO}, V_{INTERRUPT}$	-0.3	–	$V_{DD}+0.3$	V	1)	PRQ-96

**Charge pump**

Charge pump voltage (VCP)	$V_{CP}$	-0.3	–	105	V	1)	PRQ-337
Charge pump voltage (VCP) with respect to VBAT	$V_{CP\_VBAT}$	-0.3	–	18	V	1)	PRQ-400
Charge pump voltage (CPL)	$V_{CPL}$	-0.3	–	$V_{BAT}$	V	1)	PRQ-95
Charge pump voltage (CPH)	$V_{CPH}$	$V_{BAT}-0.3$	–	$V_{CP}+0.3$	V	1)	PRQ-261

**(table continues...)**



**3 General product characteristic**

**Table 2 (continued) Absolute maximum ratings**

Parameter	Symbol	Values			Unit	Note or condition	P-Number
		Min.	Typ.	Max.			
Charge pump ground and analog ground voltage	$V_{CPGND}, V_{AGND}$	-0.3	–	0.3	V	1)	PRQ-205
<b>Temperature</b>							
Junction temperature	$T_J$	-40	–	150	°C	1)	PRQ-17
Storage temperature	$T_{STG}$	-55	–	150	°C	1)	PRQ-19
<b>ESD susceptibility</b>							
ESD susceptibility at all pins (HBM)	$V_{ESD\_HBM1}$	-2	–	2	kV	1) 2) HBM	PRQ-20
ESD susceptibility of VBAT pin versus GND (HBM)	$V_{ESD\_HBM2}$	-4	–	4	kV	1) 2) HBM	PRQ-100
ESD susceptibility at all pins (CDM)	$V_{ESD\_CDM}$	-500	–	500	V	1) 3) CDM	PRQ-401
ESD susceptibility at corner pins (CDM) (pins 1, 12, 13, 24)	$V_{ESD\_CDM}$	-750	–	750	V	1) 3) CDM	PRQ-414

- 1) Not subject to production test, specified by design.
- 2) ESD susceptibility, human body model "HBM", according to AEC Q100-002
- 3) ESD susceptibility, charged device model "CDM", according to AEC Q100-011

**3.2 Functional range**

Unless otherwise specified: VBAT and VDD inside the normal operation range;  $T_J = -40^{\circ}\text{C}$  to  $+150^{\circ}\text{C}$ ; all voltages are referenced to GND; positive current flowing into pin.

**Table 3 Functional range**

Parameter	Symbol	Values			Unit	Note or condition	P-Number
		Min.	Typ.	Max.			
VBAT supply voltage range for normal operation	$V_{BAT(NORM)}$	24	–	54	V	–	PRQ-101
VBAT extended supply voltage range	$V_{BAT(EXT)}$	20	–	70	V	Parameter deviations possible	PRQ-102
VBAT supply transients slew rate	$dV_{BAT}/dt$	-10	–	10	V/ $\mu\text{s}$	1)	PRQ-397
Logic supply voltage (VDD)	$V_{DD}$	3.0	–	5.5	V	–	PRQ-105
VDD logic supply transients slew rate	$dV_{DD}/dt$	-10	–	10	V/ $\mu\text{s}$	1)	PRQ-398
SPI logic input voltage	$V_{SCLK}, V_{CSN}, V_{MOSI}$	0	–	$V_{DD}$	V	–	PRQ-106

**(table continues...)**

**3 General product characteristic**

**Table 3 (continued) Functional range**

Parameter	Symbol	Values			Unit	Note or condition	P-Number
		Min.	Typ.	Max.			
Source voltage transients slew rate	$dV_{SX}/dt$	-70	-	70	V/ $\mu$ s	1)	PRQ-399
Logic input voltage	$V_{SAFESTATEN}, V_{ENABLE}$	0	-	$V_{DD}$	V	-	PRQ-107
CSO output current	$I_{CSO}$	-4	-	0	mA	-	PRQ-355
ISP, ISN input voltage	$V_{ISP}, V_{ISN}$	-2	-	$VBAT + 2$	V	-	PRQ-508
ISP, ISN common mode slew rate	$V_{SENSE\_COMMON}$	-70	-	70	V/ $\mu$ s	1)	PRQ-491
ISP, ISN differential mode slew rate	$V_{SENSE\_DIFFERENTIAL}$	-5	-	5	V/ $\mu$ s	1)	PRQ-492
Junction temp	$T_J$	-40	-	150	°C	-	PRQ-18

1) Not subject to production test, specified by design.

**3.3 Thermal resistance**

$T_J = -40^\circ\text{C}$  to  $+150^\circ\text{C}$ .

**Table 4 Thermal resistance**

Parameter	Symbol	Values			Unit	Note or condition	P-Number
		Min.	Typ.	Max.			
Junction to case, $T_A = -40^\circ\text{C}$	$R_{thJC\_cold}$	-	4	-	K/W	1)	PRQ-99
Junction to case, $T_A = 85^\circ\text{C}$	$R_{thJC\_hot}$	-	5	-	K/W	1)	PRQ-71
Junction to ambient, $T_A = -40^\circ\text{C}$	$R_{thJA\_cold\_2s2p}$	-	38	-	K/W	1) 2)	PRQ-72
Junction to ambient, $T_A = 85^\circ\text{C}$	$R_{thJA\_hot\_2s2p}$	-	31	-	K/W	1) 2)	PRQ-73

1) Not subject to production test, specified by design.

2) Specified  $R_{thJA}$  value is according to Jedec JESD51-2,-5,-7 at natural convection on FR4 2s2p board; the product (chip+package) was simulated on a  $76.2 \times 114.3 \times 1.5$  mm board with 2 inner copper layers ( $2 \times 70 \mu\text{m Cu}$ ,  $2 \times 35 \mu\text{m Cu}$ ). Where applicable a thermal via array under the exposed pad contacted the first inner copper layer. The device is dissipating 1 W power.

**4 General product description**

**4 General product description**

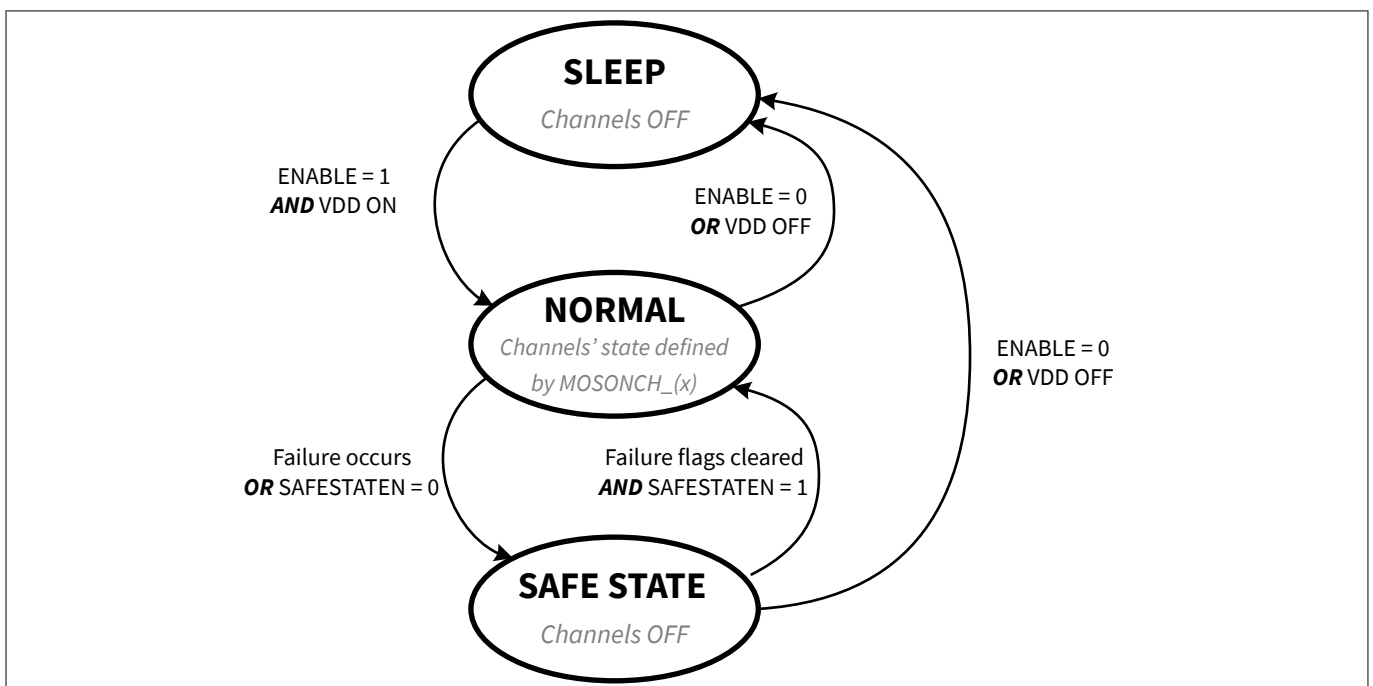
**4.1 Power supply**

The device is externally supplied by two pins: VDD and VBAT.

The gate driver requires multiple power supplies:

- VBAT supplies the charge pump and parts of the gate control block
- VDD supplies SPI interface, internal logic, protection functions as well as the current sense interface
- Internally generated charge pump voltage VCP supplies the gate control block,  $V_{DS}$  and  $V_{GS}$  detection blocks and current sense amplifier

**4.2 Operation mode**



**Figure 4 Operation modes overview**

**4.2.1 Normal mode**

The device enters normal mode after the SPI setup time  $t_{SET\_SPI}$ , if the microcontroller sets the pin ENABLE to high.

In normal mode, the MOSFET gate driver is enabled and can be configured through the SPI interface, provided that the voltages applied to VBAT and VDD are within the operating range.

**4.2.2 Sleep mode**

The device enters sleep mode if the microcontroller sets the ENABLE pin to low.

In sleep mode, most of the internal circuitry is deactivated: the current consumption of VBAT and VDD is reduced respectively to  $I_{VBAT\_Q}$  and  $I_{VDD\_Q}$ .

**4.2.3 Safe state mode**

The device will enter safe state if the pin SAFESTATEN is set to low.

In safe state the external MOSFETs of both channels are deactivated (e.g. switched off).

**4 General product description**

To bring the device from safe state back to normal mode, the pin SAFESTATEN has to be set to high and the failure flag SAFESTATE must be cleared via SAFESTATE\_CL or FAIL\_RST\_0 together with FAIL\_RST\_1.

If the microcontroller sets the ENABLE pin to low, the device enters the sleep mode.

**4.2.4 Reset behavior**

After the ENABLE pin is pulled high or after an undervoltage event at VDD, the logic content is reset.

In both cases, the failure flag VDD\_UV is set to high to indicate that a reset was performed.

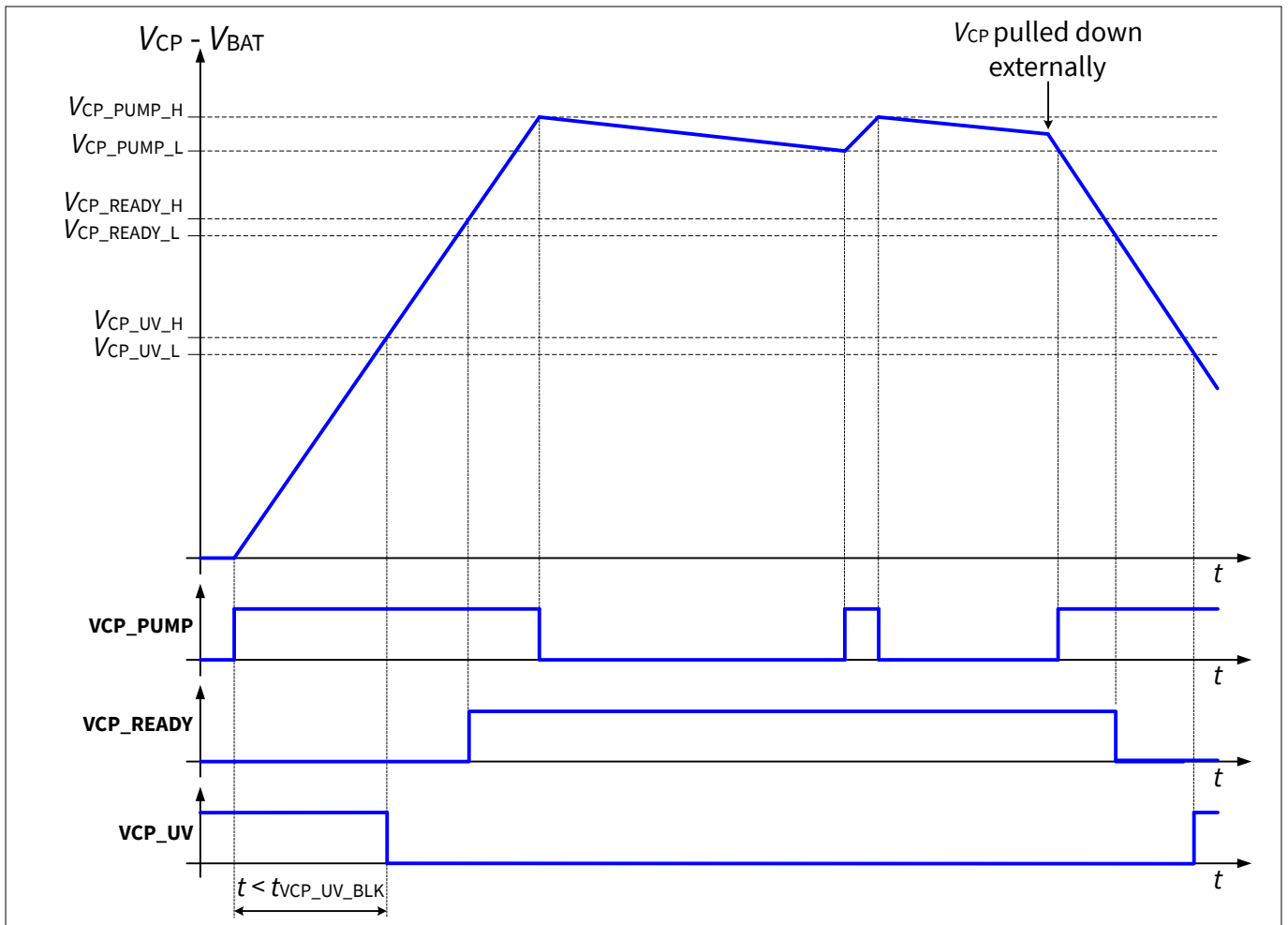
**4.3 Charge pump**

The charge pump generates the positive supply for the gate control block, for the  $V_{GS}$  and  $V_{DS}$  comparators and for the current sense amplifier.

$V_{CP\_PUMP}$  thresholds define hysteresis control of the charge pump output voltage by activating/deactivating charge pumping.

$V_{CP\_READY}$  thresholds flag the microcontroller that the charge pump output voltage is high enough to activate a channel.

$V_{CP\_UV}$  thresholds flag a charge pump output under voltage failure. In this case, turning on and protecting a channel cannot be ensured any more, so the channels are switched off.



**Figure 5 Charge pump operating**

The charge pump is ready to operate according the  $V_{CP\_PUMP}$  signal when the following condition is fulfilled: **ENABLE = high AND TSD = low AND VBAT\_OV = low AND  $V_{CP\_UV}$  = low.**

## 4 General product description

At the first activation of the charge pump, the VCP\_UV diagnostic will be blanked for the  $t_{VCP\_UV\_BLK}$  duration in order to operate a safe start.

Note that a triggering of VCP\_UV will therefore switch off the charge pump in a latched way.

The VCP\_PUMP signal is controlling the charge pump activity:

- When the charge pump is enabled it is pumping as long as the VCP\_PUMP signal is high
- As soon as the  $V_{CP} - V_{BAT}$  voltage gets above the  $V_{CP\_PUMP\_H}$  threshold, the VCP\_PUMP signal is turned low and the charge pump stops pumping
- As soon as the  $V_{CP} - V_{BAT}$  voltage gets below the  $V_{CP\_PUMP\_L}$  threshold, the VCP\_PUMP signal is turned high and the charge pump is pumping

The VCP\_READY bit is set to 1 once the  $V_{CP} - V_{BAT}$  voltage gets higher than the  $V_{CP\_READY\_H}$  threshold.

The VCP\_READY bit is set to 0 once the  $V_{CP} - V_{BAT}$  voltage gets lower than the  $V_{CP\_READY\_L}$  threshold.

The VCP\_UV bit is set to 0 once the  $V_{CP} - V_{BAT}$  voltage gets higher than the  $V_{CP\_UV\_H}$  threshold.

The VCP\_UV bit is set to 1 once the  $V_{CP} - V_{BAT}$  voltage gets lower than the  $V_{CP\_UV\_L}$  threshold.

VCP\_UV is blanked for a duration of  $t_{VCP\_UV\_BLK}$  after charge pump gets enabled (e.g.: after device enable or after clearing VCP\_UV failure flag).

### 4.4 Electrical characteristics: supply

Unless otherwise specified: VBAT and VDD inside the normal operation range;  $T_J = -40^{\circ}\text{C}$  to  $+150^{\circ}\text{C}$ ; CSO pin left open; all voltages are referenced to GND; positive current flowing into pin.

**Table 5 Electrical characteristics: supply**

Parameter	Symbol	Values			Unit	Note or condition	P-Number
		Min.	Typ.	Max.			
<b>Quiescent current consumption, ENABLE = LOW</b>							
VBAT supply quiescent current	$I_{BAT\_Q}$	-	-	5	$\mu\text{A}$	<sup>1)</sup> $T_A \leq 85^{\circ}\text{C}$	PRQ-112
VDD logic supply quiescent current	$I_{DD\_Q}$	-	-	7	$\mu\text{A}$	<sup>1)</sup> $T_A \leq 85^{\circ}\text{C}$	PRQ-114
<b>Current consumption, ENABLE = HIGH</b>							
VBAT supply current	$I_{BAT\_SUP}$	-	-	10	mA	<sup>1)</sup> MOSONCH_A = 1; MOSONCH_B = 1; $R_{GS} \geq 1 \text{ M}\Omega$ ; $C_{VCP} = 2.2 \mu\text{F}$	PRQ-27
VDD logic supply current	$I_{DD\_SUP}$	-	-	10	mA	CSA_HSS = 0; CSA_COUTSEL = 0	PRQ-118
VDD logic supply current	$I_{DD\_SUP}$	-	-	15	mA	<sup>1)</sup> CSA_HSS = 1; CSA_COUTSEL = 1	PRQ-543

<sup>1)</sup> Not subject to production test, specified by characterization.

### 4.5 Electrical characteristics: digital IOs

Unless otherwise specified: VBAT and VDD inside the normal operation range;  $T_J = -40^{\circ}\text{C}$  to  $+150^{\circ}\text{C}$ ; all voltages are referenced to GND; positive current flowing into pin; pull-up resistors connected to VDD, pull-down resistors connected to GND.

**4 General product description**

**Table 6 Electrical characteristics: digital IOs**

Parameter	Symbol	Values			Unit	Note or condition	P-Number
		Min.	Typ.	Max.			
<b>Logic input voltage</b>							
Logic high input voltage	$V_{IH}$	$0.7 \cdot V_{DD}$	–	$V_{DD}$	V	–	PRQ-30
Logic low input voltage	$V_{IL}$	0	–	0.7	V	–	PRQ-31
Logic input threshold hysteresis	$V_{IHY}$	100	–	–	mV	–	PRQ-32
<b>Logic output voltage</b>							
Logic high output voltage level	$V_{OH}$	$V_{DD} - 0.4$	$V_{DD} - 0.2$	$V_{DD}$	V	$I_O = -1.6 \text{ mA}$	PRQ-415
Logic low output voltage level	$V_{OL}$	0	0.2	0.4	V	$I_O = 1.6 \text{ mA}$	PRQ-416
<b>Pull-up / -down resistors</b>							
ENABLE pull-down resistor	$R_{PD\_ENABLE}$	30	40	50	k $\Omega$	–	PRQ-126
SCLK pull-down resistor	$R_{PD\_SCLK}$	30	40	50	k $\Omega$	–	PRQ-410
SAFESTATEN pull-down resistor	$R_{PD\_SAFESTATE}$ N	30	40	50	k $\Omega$	–	PRQ-409
MOSI pull-down resistor	$R_{PD\_MOSI}$	30	40	50	k $\Omega$	–	PRQ-411
INTERRUPT pull-down resistor	$R_{PD\_INTERRUPT}$	30	40	50	k $\Omega$	–	PRQ-479
CSN pull-up resistor	$R_{PU\_CSN}$	30	40	50	k $\Omega$	–	PRQ-412
<b>SPI interface setup time</b>							
SPI interface setup time	$t_{SET\_SPI}$	–	–	150	$\mu\text{s}$	–	PRQ-413

**4.6 Electrical characteristics: charge pump**

Unless otherwise specified: VBAT and VDD inside the normal operation range;  $T_J = -40^\circ\text{C}$  to  $+150^\circ\text{C}$ ; all voltages are referenced to GND; positive current flowing into pin.

**Table 7 Electrical characteristics: charge pump**

Parameter	Symbol	Values			Unit	Note or condition	P-Number
		Min.	Typ.	Max.			
Charge pump frequency	$f_{CP}$	140	156	172	kHz	–	PRQ-127
<b>VCP_PUMP</b>							
VCP_PUMP_H threshold	$V_{CP\_PUMP\_H}$	12.7	14	15	V	–	PRQ-343
VCP_PUMP_L threshold	$V_{CP\_PUMP\_L}$	11.7	13	14	V	–	PRQ-344
VCP_PUMP hysteresis	$V_{CP\_PUMP\_HY}$	0.5	1	1.5	V	–	PRQ-402

**VCP\_READY**

**(table continues...)**

**4 General product description**

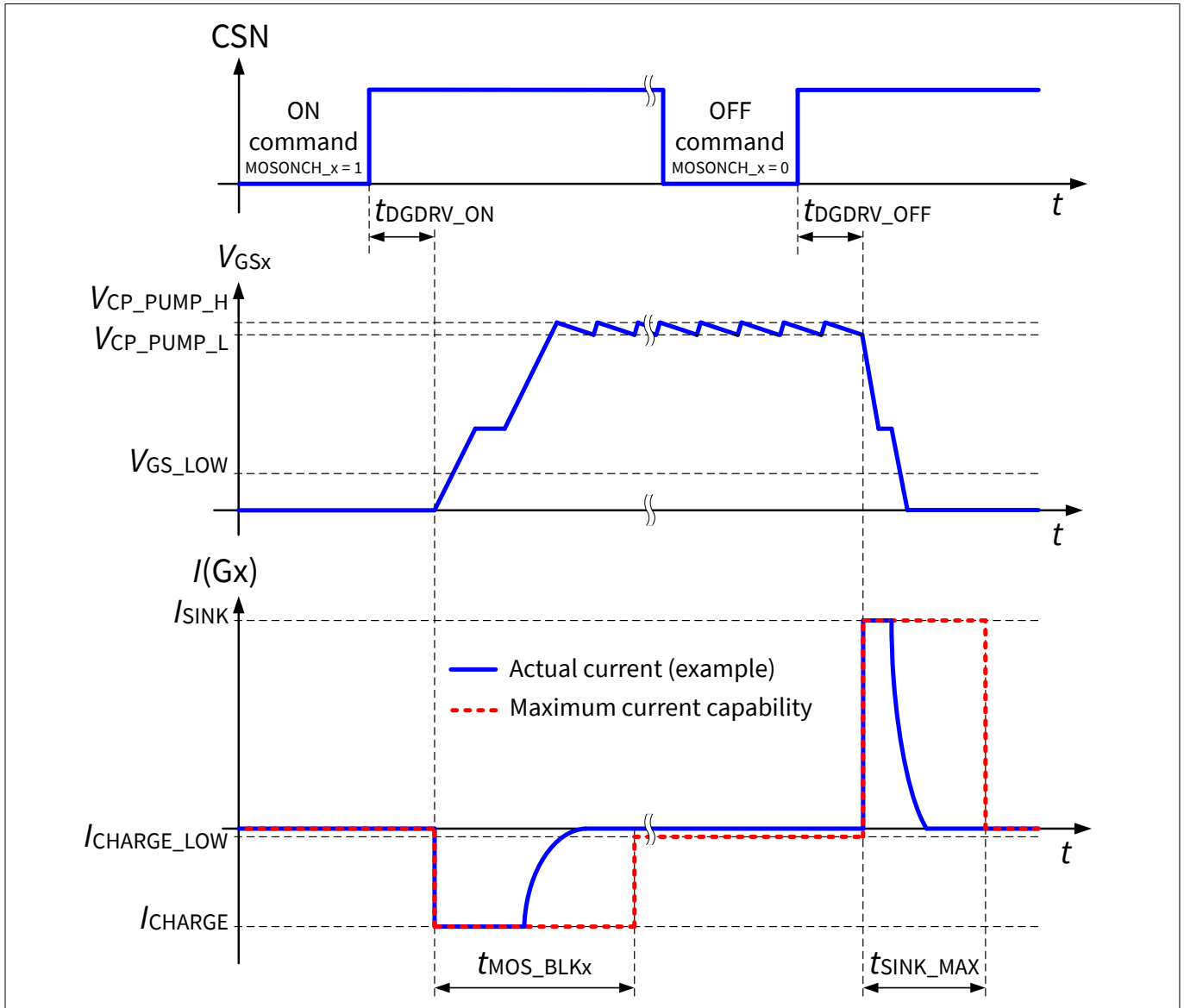
**Table 7 (continued) Electrical characteristics: charge pump**

Parameter	Symbol	Values			Unit	Note or condition	P-Number
		Min.	Typ.	Max.			
VCP_READY_H threshold	$V_{CP\_READY\_H}$	10	11	11.7	V	–	PRQ-345
VCP_READY_L threshold	$V_{CP\_READY\_L}$	9.5	10.5	11.2	V	–	PRQ-346
VCP_READY hysteresis	$V_{CP\_READY\_HY}$	0.38	0.5	0.62	V	–	PRQ-403
<b>VCP_UV</b>							
VCP_UV_H threshold	$V_{CP\_UV\_H}$	5.7	6.5	7	V	–	PRQ-347
VCP_UV_L threshold	$V_{CP\_UV\_L}$	5.2	6	6.5	V	–	PRQ-348
VCP_UV hysteresis	$V_{CP\_UV\_HY}$	0.25	0.5	0.75	V	–	PRQ-404
VCP_UV Blanking time	$t_{VCP\_UV\_BLK}$	2.4	3	4	ms	–	PRQ-494
<b>Charge pump output current</b>							
Charge pump output current capability at VCP	$I_{CPO}$	–	–	-10	mA	$C_{CPHL} = 220 \text{ nF}$ ;	PRQ-349
CPL pulsed current	$ I_{CPL\_PULSE} $	60	80	110	mA	–	PRQ-487

**5 High-side gate driver**

**5 High-side gate driver**

The high-side gate driver is capable to drive multiple external MOSFETs for high current capability. Two independent channels are available, and they can be switched on and off by the SPI register commands. The gate drivers are supplied by an internal one-stage charge pump with external capacitors.



**Figure 6 Maximum gate driving capability**

**5.1 Channel activation**

The selected channel is activated under the following condition:  
 ENABLE = high **AND** MOSONCH\_(x) = high **AND** SAFESTATEN = high.

**Table 8 MOSFET activation**

MOSONCH_(x)[0]	MOSFET activation state
0	MOSFET channel not activated (default)
1	MOSFET channel activated



**5 High-side gate driver**

When a channel is activated through the SPI interface, its output gate current capability is set to  $I_{CHARGE}$  for a duration of maximum  $t_{MOS\_BLKx}$  (MOS blanking time).  $I_{CHARGE}$  is active until  $V_{GS}$  reaches  $V_{CP}$ , so the actual time depends on the MOSFETs gate capacitance.

Once the  $t_{MOS\_BLKx}$  time expires, the output gate current capability is reduced to maximum  $I_{CHARGE\_LOW}$ ; the actual current delivered by the driver depends on external leakages, coming for example from an external pull-down resistor added between gate and source of the MOSFETs.

**5.2 Channel deactivation**

The channel is deactivated by discharging the external MOSFET's gate if one of the following conditions are met:

- MOSONCH\_(x) set from high to low
- Pin ENABLE set from high to low
- SAFESTATEN set from high to low

*Note: In case of a failure, MOSONCH\_(x) is automatically set from high to low, which immediately triggers a channel deactivation.*

When a channel is deactivated either due to MOSONCH\_(x) or pin SAFESTATEN set from high to low, the output gate control pulls a high discharge current, set to  $I_{SINK}$  for a duration of maximum  $t_{SINK\_MAX}$ .  $I_{SINK}$  is active until  $V_{GS}$  is zero, so the actual time depends on the MOSFETs gate capacitance.

Once  $t_{SINK\_MAX}$  expires, the output gate control changes to a voltage clamping structure, which limits the gate to source voltage ( $V_{GS}$ ) to maximum  $V_{GS\_LOW}$ . This clamping structure ensures that the MOSFETs'  $V_{GS}$  is below  $V_{GS(th)}$  to keep them OFF.

When the channels are deactivated due to pin ENABLE set from high to low, the output gate control does not pull the high discharge current ( $I_{SINK}$ ), it immediately changes to the voltage clamping structure.

**5.3 MOSFET driver output**

Unless otherwise specified: VBAT and VDD inside the normal operation range;  $T_J = -40^{\circ}C$  to  $+150^{\circ}C$ ; all voltages are referenced to GND; positive current flowing into pin.

**Table 9 MOSFET driver output**

Parameter	Symbol	Values			Unit	Note or condition	P-Number
		Min.	Typ.	Max.			
Gate charge current high	$I_{CHARGE}$	-	-	-300	mA	$V_{Gx} = V_{Sx} = 0 V$	PRQ-133
Gate charge current low	$I_{CHARGE\_LOW}$	-5	-4	-2.5	mA	-	PRQ-488
Gate discharge current	$I_{SINK}$	0.9	1.1	1.3	A	$V_{Gx} - V_{Sx} = 13 V$	PRQ-134
Gate discharge current maximum active time	$t_{SINK\_MAX}$	8	10	12	$\mu s$	1)	PRQ-539
High level output voltage Gx vs. Sx	$V_{GS}$	$V_{CP\_PUM}$ $P\_L$	-	$V_{CP\_PUM}$ $P\_H$	V	Current between Gx and Sx = 1 mA	PRQ-135
Low level output voltage Gx vs. Sx	$V_{GS\_LOW}$	-	-	1.7	V	$T_J < 25^{\circ}C$ Current between Gx and Sx = 100 mA $0 V \leq V_{BAT} \leq V_{BAT(EXT)\_MAX}$ $0 V \leq V_{DD} \leq V_{DD\_MAX}$	PRQ-498

(table continues...)

**5 High-side gate driver**

**Table 9 (continued) MOSFET driver output**

Parameter	Symbol	Values			Unit	Note or condition	P-Number
		Min.	Typ.	Max.			
Low level output voltage Gx vs. Sx	$V_{GS\_LOW}$	–	–	1.5	V	$T_J \geq 25^\circ\text{C}$ Current between Gx and Sx = 100 mA $0\text{ V} \leq V_{BAT} \leq V_{BAT(EXT)\_MAX}$ $0\text{ V} \leq V_{DD} \leq V_{DD\_MAX}$	PRQ-524

**Gate driver dynamic parameter**

Gate turn-on delay time	$t_{DGDRV\_ON}$	–	–	3	$\mu\text{s}$	Duration between CSN goes from low to high and gate charge current is activated	PRQ-137
Gate turn-off delay time	$t_{DGDRV\_OFF}$	–	–	3	$\mu\text{s}$	Duration between CSN goes from low to high and gate discharge current is activated	PRQ-139
Delay time for gate turn-off triggered by SAFESTATEN	$t_{DGOFF\_SFSTN}$	–	–	3	$\mu\text{s}$	Duration between SAFESTATEN goes from high to low and gate discharge current is activated	PRQ-527
Gate to source clamped voltage	$V_{GS\_TH}$	15.5	–	19.5	V	–	PRQ-476

**Active zener clamping**

Gate zener clamping with respect to VBAT	$V_{CLAMP\_G\_VBAT}$	78	82	87	V	$I_G = -2.5\text{ mA}$	PRQ-489
Gate zener clamping with respect to GND	$V_{CLAMP\_G\_GND}$	78	82	87	V	$I_G = -2.5\text{ mA}$	PRQ-490

1) Not subject to production test, specified by design.

## 6 Protection and monitoring

### 6 Protection and monitoring

The device provides three sets of features to protect and monitor:

- Monitorings, which give a status to the MCU
- Warnings, which inform the MCU of critical events with limited impact
- Failure detections, which trigger internal actions (channel deactivation mainly) and notify immediately the MCU

#### 6.1 Monitorings

##### 6.1.1 Source voltage monitoring in OFF state

If the source voltage  $V_{Sx}$  of a deactivated channel rises above  $V_{S\_TH}$ , and ENABLE is high, then the appropriate flag VSOURCE\_(x) is set to 1.

This warning allows to implement an "open load detection in OFF state", since the voltage on the source pin Sx would be pulled up by the leakage of the gate driver if there is no load connected.

##### 6.1.2 Charge pump voltage monitoring

If the charge pump voltage VCP is above  $V_{CP\_READY\_H}$ , then the VCP\_READY flag is set to 1.

##### 6.1.3 SPI address monitoring

If the MCU tries to read or write a register with an address which is not available, then the ADD\_NOT\_AVAIL flag is set to 1.

#### 6.2 Warnings

In order to inform the MCU about any warning on the driver, the warning flags will be used and updated by the device, which notifies the MCU by setting the INTERRUPT pin to high.

The warnings are not latched and will be reset, if the condition no longer applies.

The warnings do not change the state of the output channels.

##### 6.2.1 Temperature warning

The OT\_WARNING is set to 1 if the overtemperature warning threshold  $T_{JW}$  is reached and exceeded.

##### 6.2.2 One time programmable (OTP) memory data corruption

The device embeds an OTP to store internal settings, used to trim internal blocks for full specification compliance. These settings are written during manufacturing and this memory cannot be accessed by SPI.

The MEM\_FAIL flag is set to 1 if OTP data is corrupted or if OTP readout failed. In this case all affected trimmings are set to default values, therefore parameter deviations are possible. OTP is checked and read out right after the device is enabled.

*Note: OTP cannot be read in case of a not connected ground pin.*

##### 6.2.3 Ground loss

In case of a voltage difference between 2 ground pins (whether GND, AGND or CPGND) higher than  $V_{GND\_LOSS}$ , the corresponding LOG\_(x) warning flags will be set to 1. This is typically the case for not connected ground pins.

- Disconnecting AGND will trigger LOG\_A and LOG\_CP flags

**6 Protection and monitoring**

- Disconnecting CPGND will trigger LOG\_CP and LOG\_D flags
- Disconnecting DGND will trigger LOG\_A and LOG\_D flags

**6.3 Failures detection**

Failures detection is provided to implement protections for the external MOSFETs and eventually for the load. There are two types of failures detected by the gate driver:

- Latching failures, which require to be cleared before the gate driver can operate again. This category is split into two sub-categories:
  - Latching failures for which clearing the flag will automatically turn the channel on again. They include:
    - Undervoltage on the charge pump
    - Undervoltage on gate-source voltage ( $V_{GS} = [V_{Gx}-V_{Sx}]$ )
    - Overvoltage on drain-source voltage ( $V_{DS} = [V_{BAT}-V_{Sx}]$ ), when  $VDS(x)_{SS}[0] = 0$  to enable the protection
  - Latching failures for which an SPI command has to follow the flag clearing in order to turn the channel on again. They include :
    - Undervoltage on  $V_{DD}$
    - SAFESTATEN pin activation
    - Overtemperature shut down
    - Overcurrent
- Non-latching failures, which do not need to be cleared: once the failure source is gone, the gate driver can operate again after a configurable delay. They include:
  - Overvoltage on  $V_{BAT}$
  - Undervoltage on  $V_{BAT}$

**6.3.1 Failure notification and clearing**

In case of failure detection, the FAILURE flag is set to high, the INTERRUPT pin is set to high and the corresponding channel(s) is (are) deactivated automatically by setting register bit MOSONCH\_(x) to 0 (except for drain-source failure detection when it is disabled through the VDS(x)\_SS register).

A latching failure can only be cleared when the failure is not present anymore, except for VCP\_UV, VGSTH\_(x) and VDSTRIP\_(x).

**6.3.2 Non-latching failures**

The non-latching failures do not need to be reset: the gate driver activates the MOSFET again, if the failure does not exist anymore.

**6.3.2.1 VBAT overvoltage**

If  $V_{BAT}$  exceeds  $V_{BAT\_OV\_OFF}$ , the FAILURE bit and VBAT\_OV flag are set to 1.

If the  $V_{BAT}$  gets lower than  $V_{BAT\_OV\_ON}$ , then the restart will be done after  $t_{OV\_RESTART}$ .

While the device is in auto-restart duration, none of the channels can be activated by the  $\mu C$ .

**Table 10 VBAT overvoltage auto-restart time**

<b>VBATOVARST[1:0]</b>	<b>VBAT overvoltage auto-restart time (typical): <math>t_{OV\_RESTART}</math></b>
00	10 $\mu s$ (default)
01	50 $\mu s$
10	200 $\mu s$
11	1 ms

6 Protection and monitoring

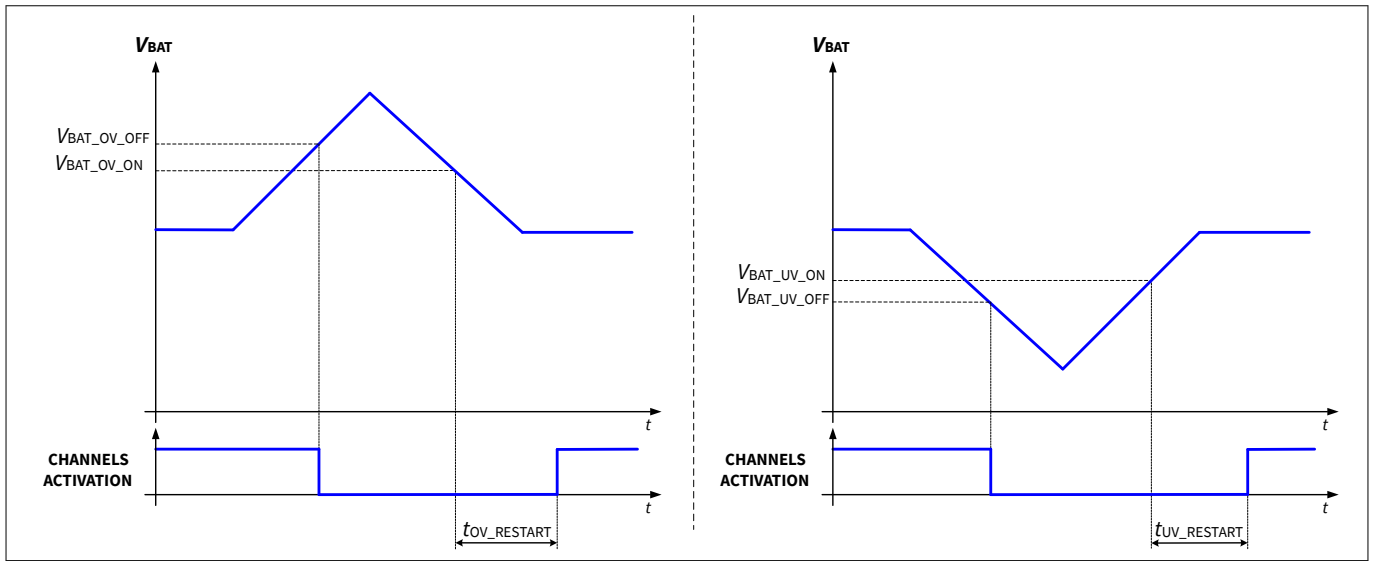


Figure 7 VBAT overvoltage and undervoltage auto-restart time diagrams

6.3.2.2 VBAT undervoltage

If  $V_{BAT}$  gets lower than  $V_{BAT\_UV\_OFF}$ , the FAILURE bit and VBAT\_UV flag are set to 1.  
 If the  $V_{BAT}$  gets higher than  $V_{BAT\_UV\_ON}$ , then the restart will be done after  $t_{UV\_RESTART}$ .  
 While the device is in auto-restart duration, none of the channels can be activated by the  $\mu C$ .

Table 11 VBAT undervoltage auto-restart time

VBATUVARST[1:0]	VBAT undervoltage auto-restart time $t_{UV\_RESTART}$ (typical)
00	1 ms (default)
01	5 ms
10	20 ms
11	50 ms

6.3.3 Latching failures

Once a latching failure (except VDD\_UV) has been detected, a reset can be operated either by toggling ENABLE, VDD (Chapter 4.2.4), or by an SPI command.

6.3.3.1 Blank time and filter time for failures detections

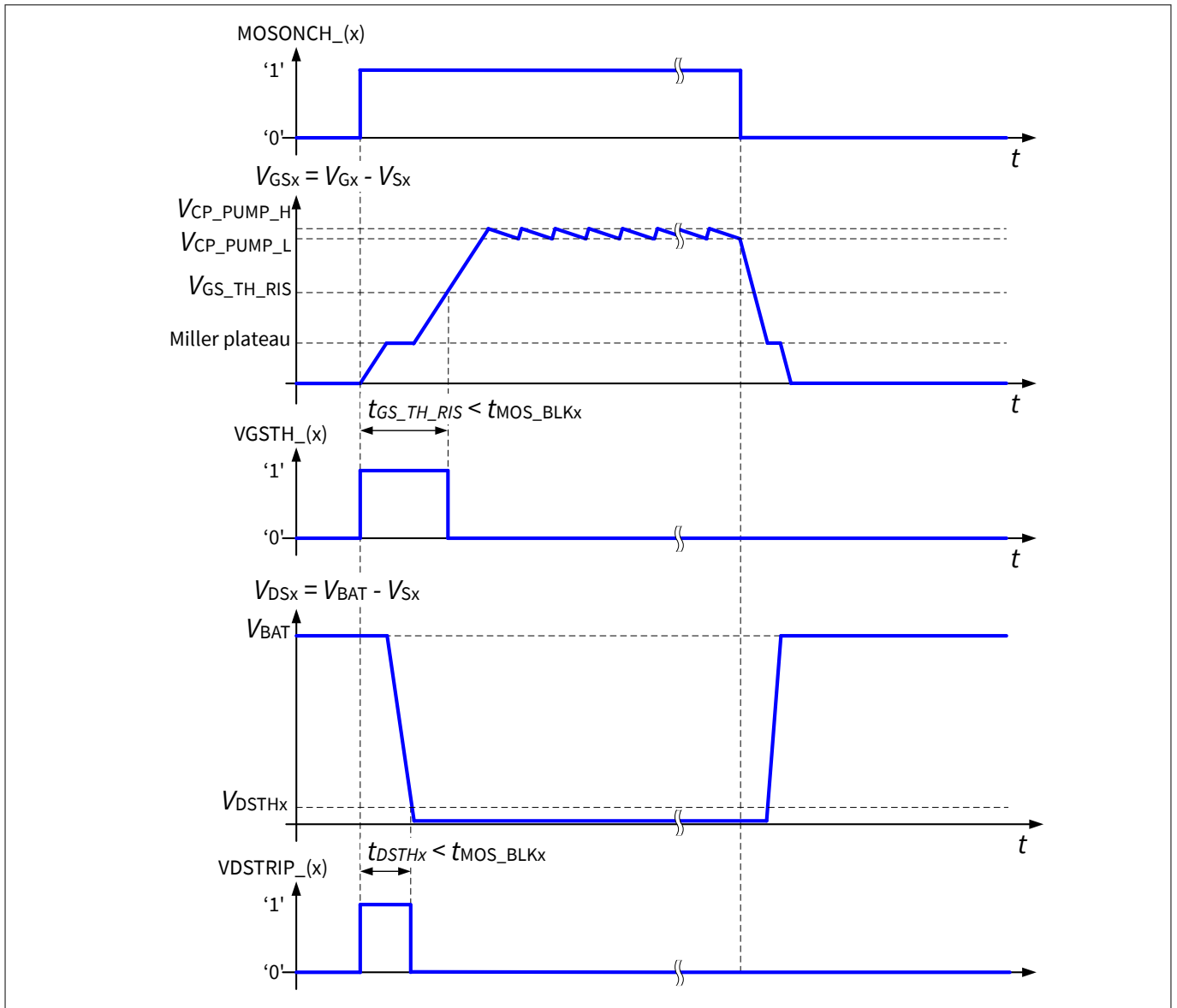
6.3.3.1.1 Blank time

Both drain-source and gate-source failure detections are inherently triggered at the turn-on of a channel. Turning on a MOSFET implies a transient phase where the gate-source voltage is rising and drain-source voltage is decreasing before they reach their steady state.

Both failure detections have therefore to be temporary blanked at turn-on, which is the purpose of the configurable blank time:  $t_{MOS\_BLKx}$ . Its value is configured for each channel independently, based on the MOSFETs characteristics (total  $C_{GS}$  mainly).

Note: As described in Chapter 5.1,  $t_{MOS\_BLKx}$  also defines the maximum duration of the  $I_{CHARGE}$  current.

**6 Protection and monitoring**



**Figure 8** Blank time at MOSFET turn-on

A configurable blank time for the drain-source and gate-source failure detections is applied at the turn-on of the selected channel. During the blank time  $t_{MOS\_BLKx}$ , a drain-source or gate-source overvoltage failure is masked.

**Table 12** MOSFET voltage blank time

MOSBLK_(x)_[1:0]	MOSFET voltage blank time (typical) $t_{MOS\_BLKx}$
00	10 $\mu$ s (default)
01	20 $\mu$ s
10	50 $\mu$ s
11	100 $\mu$ s

## 6 Protection and monitoring

### 6.3.3.1.2 Filter time

Both drain-source and gate-source failure detections may be wrongly triggered due to noisy signals on the monitored pins. A configurable filter time is therefore provided for each channel independently, which applies for the two failure detections:  $t_{MOS\_FLT_x}$ .

**Table 13 MOSFET voltage filter time**

MOSFLT_(x)_[1:0]	MOSFET voltage filter time (typical) $t_{MOS\_FLT_x}$
00	0.5 $\mu$ s
01	1 $\mu$ s (default)
10	2 $\mu$ s
11	5 $\mu$ s

### 6.3.3.2 Drain-source overvoltage

The drain to source voltage of activated channel(s) is continuously monitored in order to protect high-side MOSFETs against a short circuit to ground during ON-state.

If a channel is activated and the  $V_{BAT}$  (drain) to  $V_{Sx}$  (source) voltage  $V_{DS}$  exceeds  $V_{DSTHx}$  for longer than the filter time  $t_{MOS\_FLT_x}$  after the blanking time  $t_{MOS\_BLKx}$ , the bit FAILURE and the VDSTRIP\_(x) bit are set to 1 and the register bit MOSONCH\_(x) is set to 0 if the VDS(x)\_SS bit is set to 0.

Otherwise (VDS(x)\_SS bit is set to 1) only the bit FAILURE and the VDSTRIP\_(x) bit are set to 1 and the register bit MOSONCH\_(x) is still set to 1.

Each channel has a dedicated threshold that can be selected by the register VDSTH\_(x).

When VDS(x)\_SS bit is set to 0 and the VDSTRIP\_(x) failure flag is cleared, the selected channel immediately turns on again. If the  $V_{DS}$  of the channel is still above  $V_{DSTHx}$  for longer than the filter time  $t_{MOS\_FLT_x}$  after the blanking time  $t_{MOS\_BLKx}$  (e.g. the failure cause is still present), the channel is disabled again.

**Table 14 Drain-source overvoltage threshold**

VDSTH_(x)_[2:0]	Positive drain-source overvoltage threshold (typical) $V_{DSTHx}$	Negative drain-source overvoltage threshold
000	100 mV	-100 mV
001	150 mV	-150 mV
010	200 mV (default)	- 200 mV (default)
011	250 mV	-250 mV
100	300 mV	-300 mV
101	400 mV	- 400 mV
110	500 mV	- 500 mV
111	600 mV	- 600 mV

**Table 15 Drain-source channel de-activation condition**

VDS(x)_SS_[0]	Drain-source channel condition
0	Channel is de-activated in case of drain-source overvoltage (default)
1	Channel is not de-activated in case of drain-source overvoltage

**6 Protection and monitoring**

**6.3.3.3 Gate-source undervoltage**

The device reports a gate-source undervoltage failure if the following conditions are both met:

- After expiration of the configured blank time  $t_{MOS\_BLKx}$
- If the gate-source voltage is less than the threshold  $V_{GS\_TH(x)}$  for the selected channel for a duration longer than the configured filter time  $t_{MOS\_FLT x}$

In case of gate-source undervoltage failure, the bit FAILURE and the bit VGSTH\_(x) are set to 1.

When the VGSTH\_(x) flag is cleared, the selected channel automatically turns on again. If the  $V_{GS}$  of the channel is still below  $V_{GS\_TH\_RIS}$  for longer than the filter time  $t_{MOS\_FLT x}$  after the blanking time  $t_{MOS\_BLKx}$  (e.g. the failure cause is still present), the channel is disabled again.

**6.3.3.4 Channel cross-control**

While activating both channels, VGSTH\_(x) and VDSTRIP\_(x) failures related to one channel may or may not affect the other channel. This cross-control between the 2 channels is programmable by SPI.

While the CHCRCTRL bit is set to 1, any of the following failures will deactivate the channels A (CHA) and B (CHB) according this overview:

- In case of  $VGSTH_{(x)} = 1 \rightarrow CHA = OFF$  and  $CHB = OFF$
- In case of  $VDSTRIP\_A = 1, VDSA\_SS = 0$  and  $VDSB\_SS = 0 \rightarrow CHA = OFF$  and  $CHB = OFF$
- In case of  $VDSTRIP\_A = 1, VDSA\_SS = 1$  and  $VDSB\_SS = 0 \rightarrow CHA = \text{Keep previous state (ON)}$  and  $CHB = OFF$
- In case of  $VDSTRIP\_A = 1, VDSA\_SS = 0$  and  $VDSB\_SS = 1 \rightarrow CHA = OFF$  and  $CHB = \text{Keep previous state}$
- In case of  $VDSTRIP\_A = 1, VDSA\_SS = 1$  and  $VDSB\_SS = 1 \rightarrow CHA = \text{Keep previous state (ON)}$  and  $CHB = \text{Keep previous state}$
- In case of  $VDSTRIP\_B = 1, VDSA\_SS = 0$  and  $VDSB\_SS = 0 \rightarrow CHA = OFF$  and  $CHB = OFF$
- In case of  $VDSTRIP\_B = 1, VDSA\_SS = 1$  and  $VDSB\_SS = 0 \rightarrow CHA = \text{Keep previous state}$  and  $CHB = OFF$
- In case of  $VDSTRIP\_B = 1, VDSA\_SS = 0$  and  $VDSB\_SS = 1 \rightarrow CHA = OFF$  and  $CHB = \text{Keep previous state (ON)}$
- In case of  $VDSTRIP\_B = 1, VDSA\_SS = 1$  and  $VDSB\_SS = 1 \rightarrow CHA = \text{Keep previous state}$  and  $CHB = \text{Keep previous state (ON)}$

If the CHCRCTRL bit is set to 0, only the faulty channel will be treated.

**Table 16 Channel cross-control**

CHCRCTRL[0]	Channel cross-control status
0	Cross-control deactivated
1	Cross-control activated (default)

**6.3.3.5 VDD undervoltage**

If the VDD voltage falls below the  $V_{DD\_UV\_ON}$  threshold, the device is reset. When  $V_{DD}$  comes back above the  $V_{DD\_UV\_ON}$  threshold, VDD\_UV bit is set to 1.

**6.3.3.6 VCP undervoltage**

The VCP\_UV bit and the FAILURE bit are set to 1 as soon as the  $(V_{CP} - V_{BAT})$  voltage gets lower than the  $V_{CP\_UV\_L}$  threshold. The charge pump is immediately disabled.

When the failure flag VCP\_UV is cleared, the charge pump immediately restarts. If the  $(V_{CP} - V_{BAT})$  voltage is still below  $V_{CP\_UV\_H}$  after the startup blanking time  $t_{VCP\_UV\_BLK}$ , (e.g. the failure cause is still present), the charge pump is disabled again.

**6.3.3.7 SAFESTATEN activation**

Once the SAFESTATEN signal is set to low, the FAILURE bit is set to 1.



## 6 Protection and monitoring

### 6.3.3.8 Overtemperature

If the internal temperature sensor reaches  $T_{JSD}$ , the gate drivers are latched off, the charge pump and the current sense amplifier are deactivated and the TSD and FAILURE flags are set to 1.

### 6.3.3.9 Current sense amplifier and overcurrent comparator

Current sense amplifier is used for monitoring the voltage drop across the shunt resistor as a sensor for the load current. If overcurrent is detected, this will switch off both channels.

Current sense comparator and amplifier are active under the following condition:

ENABLE = high **AND** VCP\_UV = low **AND** VBAT\_UV = low **AND** VBAT\_OV = low **AND** TSD = low **AND**  $V_{DD} > V_{DD\_UV\_ON}$ .

#### 6.3.3.9.1 Gain configuration

The differential gain of the current sense amplifier is configurable by the configuration bits CSAG\_(x).

**Table 17 Configuration of the current sense amplifier gain**

CSAG[2:0]	Current sense amplifier gain $G_{DIFF}$ (typical)
000	10 V/V
001	15 V/V
010	20 V/V
011	25 V/V
100	31.5 V/V
101	35 V/V (default)
110	40 V/V
111	47.7 V/V

#### 6.3.3.9.2 Current sense position

In order to adjust the internal circuitry to the proper shunt position (high-side or low-side), the CSA\_HSS needs to be set.

While the CSA\_HSS bit is set to 0, the internal circuitry is optimized for a current sense in low-side position.

If the CSA\_HSS bit is set to 1, the internal circuitry is optimized for a current sense in high-side position.

**Table 18 Current sense position adjustment**

CSA_HSS[0]	Current sense position
0	Shunt is in low-side position (default)
1	Shunt is in high-side position

#### 6.3.3.9.3 Current sense output load

In order to adjust to the amount of output charge connected to the CSO pin, some internal circuitry can be activated.

While the CSA\_COUTSEL bit is set to 1, the internal circuitry is optimized for an external load capacitance higher than 100 pF.

If the CSA\_COUTSEL bit is set to 0, the internal circuitry is optimized for an external load capacitance lower than 100 pF.

**6 Protection and monitoring**

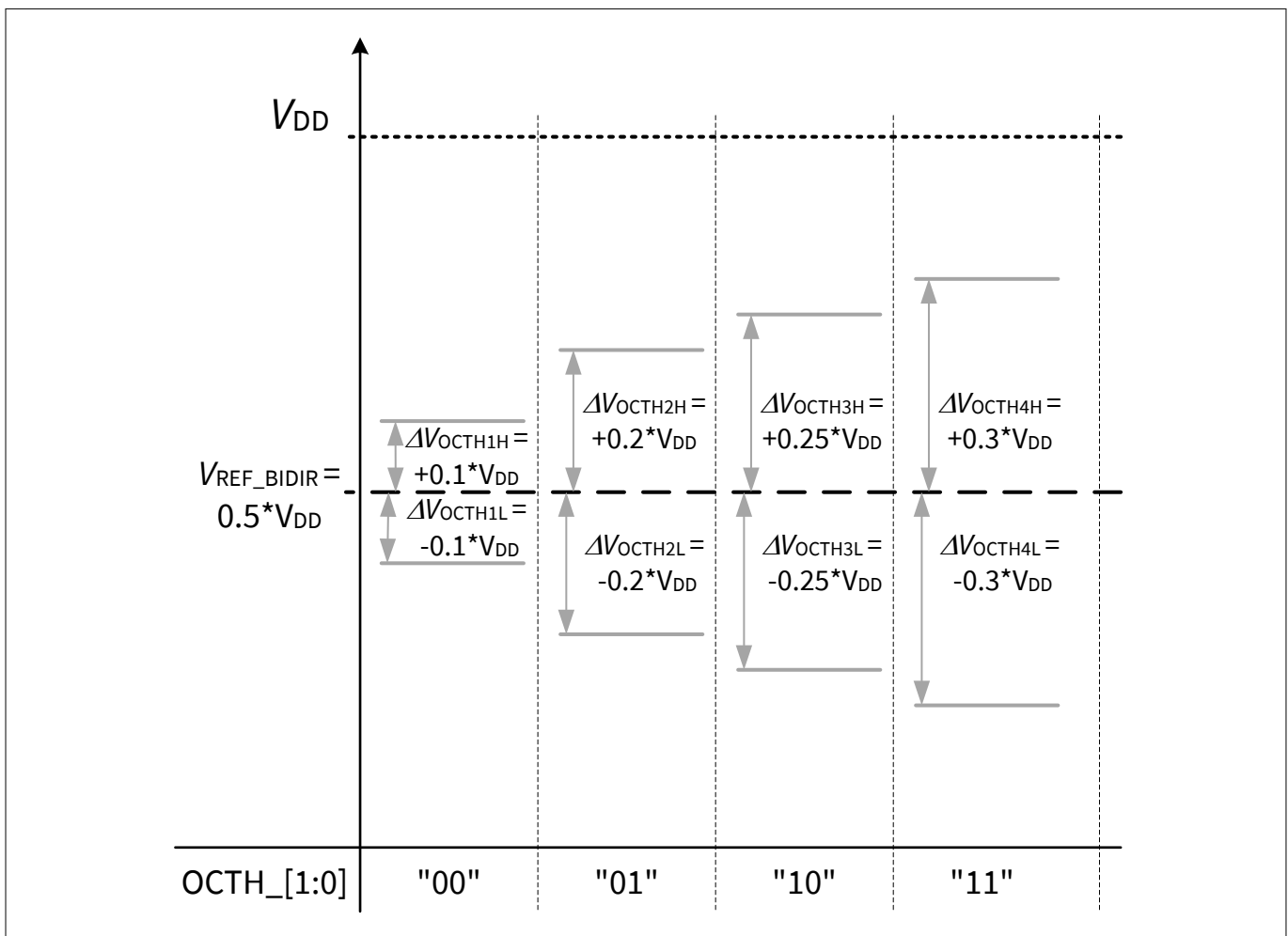
**Table 19** Current sense output load adjustment

CSA_COUTSEL[0]	Current sense output charge
0	Output load < 100 pF (default)
1	Output load > 100 pF

**6.3.3.9.4 Overcurrent detection**

A comparator at CSO detects overcurrent conditions.

If the CSA output is out of the range between threshold voltages  $\Delta VOCTHxL$  and  $\Delta VOCTHxH$  configured in OCTH, all channels are switched off and the bits FAILURE and ITRIP are set to 1 if at least one channel was in ON state.



**Figure 9** Overcurrent detection thresholds

**6.3.3.9.5 Electrical characteristics: current sense**

Unless otherwise specified: VBAT and VDD inside the normal operation range;  $T_J = -40^\circ\text{C}$  to  $+150^\circ\text{C}$ ; all voltages are referenced to GND; positive current flowing into pin.

**6 Protection and monitoring**

**Table 20 Electrical characteristics: current sense**

Parameter	Symbol	Values			Unit	Note or condition	P-Number
		Min.	Typ.	Max.			
Input offset voltage	$V_{\text{OFFSET}}$	-1.4	0	1.4	mV	–	PRQ-52
Integrated output noise voltage at CSO pin	$V_{\text{CSO\_NOISE}}$	–	–	5	$mV_{\text{rms}}$	<sup>1)</sup> ISP shorted to ISN; all gain settings; output open (no load at CSO)	PRQ-262
PSRR - Power supply rejection ratio VCP	$P_{\text{SRR}}$	60	–	–	dB	DC up to 1 kHz	PRQ-63
Settling time to 98%	$t_{\text{SET}}$	–	–	7	$\mu\text{s}$	Duration between CSN goes from low to high and signal at CSO pin is settled (98% of final value)	PRQ-222
Reference voltage for bidirectional CSA	$V_{\text{REF\_BIDIR}}$	-2%	$V_{\text{DD}}/2$	+2%	V	–	PRQ-228
Digital glitch filter time for ITRIP	$t_{\text{ITRIP\_FLT}}$	1.2	1.5	1.8	$\mu\text{s}$	<sup>1)</sup>	PRQ-505
ISP, ISN leakage current while off	$I_{\text{SP\_OFF}}$ , $I_{\text{SN\_OFF}}$	-5	–	5	$\mu\text{A}$	ENABLE = 0; $V_{\text{ISP}} = V_{\text{ISN}}$ ; $0 \text{ V} \leq V_{\text{ISN}}, V_{\text{ISP}} \leq V_{\text{BAT}}$	PRQ-392

**Common mode rejection ratio**

CMRR - common mode rejection ratio @ Gain = 10 V/V	$C_{\text{MRR10}}$	69	–	–	dB	DC up to 1 kHz	PRQ-64
CMRR - common mode rejection ratio @ Gain = 15 V/V	$C_{\text{MRR15}}$	72.5	–	–	dB	DC up to 1 kHz	PRQ-148
CMRR - common mode rejection ratio @ Gain = 20 V/V	$C_{\text{MRR20}}$	75	–	–	dB	DC up to 1 kHz	PRQ-149
CMRR - common mode rejection ratio @ Gain = 25 V/V	$C_{\text{MRR25}}$	77	–	–	dB	DC up to 1 kHz	PRQ-150
CMRR - common mode rejection ratio @ Gain = 31.5 V/V	$C_{\text{MRR31.5}}$	78.5	–	–	dB	DC up to 1 kHz	PRQ-210
CMRR - common mode rejection ratio @ Gain = 35 V/V	$C_{\text{MRR35}}$	79.5	–	–	dB	DC up to 1 kHz	PRQ-211

**(table continues...)**

**6 Protection and monitoring**

**Table 20 (continued) Electrical characteristics: current sense**

Parameter	Symbol	Values			Unit	Note or condition	P-Number
		Min.	Typ.	Max.			
CMRR - common mode rejection ratio @ Gain = 40 V/V	$C_{MRR40}$	81	–	–	dB	DC up to 1 kHz	PRQ-212
CMRR - common mode rejection ratio @ Gain = 47.7 V/V	$C_{MRR47.7}$	82.5	–	–	dB	DC up to 1 kHz	PRQ-213

**Current sense amplifier differential gain**

Current sense amplifier differential gain 10 V/V	$G_{DIFF10}$	9.8	10	10.2	V/V	Test condition: CSAG = (000)	PRQ-53
Current sense amplifier differential gain 15 V/V	$G_{DIFF15}$	14.7	15	15.3	V/V	Test condition: CSAG = (001)	PRQ-77
Current sense amplifier differential gain 20 V/V	$G_{DIFF20}$	19.6	20	20.4	V/V	Test condition: CSAG = (010)	PRQ-78
Current sense amplifier differential gain 25 V/V	$G_{DIFF25}$	24.5	25	25.5	V/V	Test condition: CSAG = (011)	PRQ-79
Current sense amplifier differential gain 31.5 V/V	$G_{DIFF31.5}$	30.87	31.5	32.13	V/V	Test condition: CSAG = (100)	PRQ-206
Current sense amplifier differential gain 35 V/V	$G_{DIFF37.7}$	34.3	35	35.7	V/V	Test condition: CSAG = (101)	PRQ-207
Current sense amplifier differential gain 40 V/V	$G_{DIFF40}$	39.2	40	40.8	V/V	Test condition: CSAG = (110)	PRQ-208
Current sense amplifier differential gain 47.7 V/V	$G_{DIFF47.7}$	46.75	47.7	48.65	V/V	Test condition: CSAG = (111)	PRQ-209

**Current sense bandwidth**

Low gain current sense bandwidth	$f_{BW\_LOW}$	200	–	–	kHz	Max output current capability = 4 mA, load between 10 pF and 400 pF, CSAG[2:0] from '000' to '110'	PRQ-388
High gain current sense bandwidth	$f_{BW\_HIGH}$	150	–	–	kHz	Max output current capability = 4 mA, load between 10 pF and 400 pF, CSAG[2:0]='111'	PRQ-389

**Overcurrent thresholds**

Overcurrent threshold 1 high relative to VREF_BIDIR	$\Delta V_{OCTH1H}$	$0.095 \cdot V_{DD}$	$0.105 \cdot V_{DD}$	$0.115 \cdot V_{DD}$	V	OCTH = (00)	PRQ-531
Overcurrent threshold 1 low relative to VREF_BIDIR	$\Delta V_{OCTH1L}$	$-0.115 \cdot V_{DD}$	$-0.105 \cdot V_{DD}$	$-0.095 \cdot V_{DD}$	V	OCTH = (00)	PRQ-532

**(table continues...)**

**6 Protection and monitoring**

**Table 20 (continued) Electrical characteristics: current sense**

Parameter	Symbol	Values			Unit	Note or condition	P-Number
		Min.	Typ.	Max.			
Overcurrent threshold 2 high relative to VREF_BIDIR	$\Delta V_{OCTH2H}$	0.199* V <sub>DD</sub>	0.210* V <sub>DD</sub>	0.221* V <sub>DD</sub>	V	OCTH = (01)	PRQ-533
Overcurrent threshold 2 low relative to VREF_BIDIR	$\Delta V_{OCTH2L}$	-0.214* V <sub>DD</sub>	-0.203* V <sub>DD</sub>	-0.192* V <sub>DD</sub>	V	OCTH = (01)	PRQ-534
Overcurrent threshold 3 high relative to VREF_BIDIR	$\Delta V_{OCTH3H}$	0.243* V <sub>DD</sub>	0.254* V <sub>DD</sub>	0.265* V <sub>DD</sub>	V	OCTH = (10)	PRQ-535
Overcurrent threshold 3 low relative to VREF_BIDIR	$\Delta V_{OCTH3L}$	-0.265* V <sub>DD</sub>	-0.254* V <sub>DD</sub>	-0.243* V <sub>DD</sub>	V	OCTH = (10)	PRQ-536
Overcurrent threshold 4 high relative to VREF_BIDIR	$\Delta V_{OCTH4H}$	0.293* V <sub>DD</sub>	0.304* V <sub>DD</sub>	0.315* V <sub>DD</sub>	V	OCTH = (11)	PRQ-537
Overcurrent threshold 4 low relative to VREF_BIDIR	$\Delta V_{OCTH4L}$	-0.315* V <sub>DD</sub>	-0.304* V <sub>DD</sub>	-0.293* V <sub>DD</sub>	V	OCTH = (11)	PRQ-538

1) Not subject to production test, specified by design.

**6.4 INTERRUPT pin control**

The INTERRUPT pin is set high and latched if one of the following occurs:

- FAILURE bit is set to 1
- OT\_WARNING is set to 1
- GEN\_INTERRUPT flag is set to 1 (for testing the interrupt signal connection to controller)
- GND\_LOSS bit is set to 1
- MEM\_FAIL bit is set to 1

Once the INTERRUPT signal has been set high due to a failure or a warning flag, it can be cleared either by:

- Reading the corresponding failure bit via SPI
- Setting the INT\_CLEAN bit to 1

If the INTERRUPT signal has been set high via the GEN\_INTERRUPT bit, it can be cleared only by setting GEN\_INTERRUPT back to 0. INT\_CLEAN will not remove that interrupt in this case.

**6.5 Electrical characteristics: protection and monitoring**

Unless otherwise specified: VBAT and VDD inside the normal operation range;  $T_J = -40^\circ\text{C}$  to  $+150^\circ\text{C}$ ; all voltages are referenced to GND; positive current flowing into pin.

**Table 21 Electrical characteristics: protection and monitoring**

Parameter	Symbol	Values			Unit	Note or condition	P-Number
		Min.	Typ.	Max.			
<b>MOS voltage blank time</b>							
MOS voltage blank time 1	$t_{MOS\_BLK1}$	8	10	12	$\mu\text{s}$	<sup>1)</sup> Start: gate charge current is activated	PRQ-152
MOS voltage blank time 2	$t_{MOS\_BLK2}$	16	20	24	$\mu\text{s}$	<sup>1)</sup> Start: gate charge current is activated	PRQ-153

(table continues...)  
 Datasheet

**6 Protection and monitoring**

**Table 21 (continued) Electrical characteristics: protection and monitoring**

Parameter	Symbol	Values			Unit	Note or condition	P-Number
		Min.	Typ.	Max.			
MOS voltage blank time 3	$t_{MOS\_BLK3}$	40	50	60	$\mu s$	<sup>1)</sup> Start: gate charge current is activated	PRQ-154
MOS voltage blank time 4	$t_{MOS\_BLK4}$	80	100	120	$\mu s$	<sup>1)</sup> Start: gate charge current is activated	PRQ-155

**MOS voltage monitoring filter time**

MOS voltage filter time 1	$t_{MOS\_FLT1}$	0.4	0.5	0.6	$\mu s$	<sup>1)</sup>	PRQ-295
MOS voltage filter time 2	$t_{MOS\_FLT2}$	0.8	1	1.2	$\mu s$	<sup>1)</sup>	PRQ-296
MOS voltage filter time 3	$t_{MOS\_FLT3}$	1.6	2	2.4	$\mu s$	<sup>1)</sup>	PRQ-297
MOS voltage filter time 4	$t_{MOS\_FLT4}$	4	5	6	$\mu s$	<sup>1)</sup>	PRQ-298

**Drain to source monitoring threshold**

Positive drain to source monitoring threshold 1	$V_{DSTH\_1\_POS}$	80	100	120	mV	–	PRQ-82
Negative drain to source monitoring threshold 1	$V_{DSTH\_1\_NEG}$	-120	-100	-80	mV	–	PRQ-417
Positive drain to source monitoring threshold 2	$V_{DSTH\_2\_POS}$	120	150	180	mV	–	PRQ-83
Negative drain to source monitoring threshold 2	$V_{DSTH\_2\_NEG}$	-180	-150	-120	mV	–	PRQ-418
Positive drain to source monitoring threshold 3	$V_{DSTH\_3\_POS}$	160	200	240	mV	–	PRQ-84
Negative drain to source monitoring threshold 3	$V_{DSTH\_3\_NEG}$	-240	-200	-160	mV	–	PRQ-419
Positive drain to source monitoring threshold 4	$V_{DSTH\_4\_POS}$	200	250	300	mV	–	PRQ-85
Negative drain to source monitoring threshold 4	$V_{DSTH\_4\_NEG}$	-300	-250	-200	mV	–	PRQ-420
Positive drain to source monitoring threshold 5	$V_{DSTH\_5\_POS}$	240	300	360	mV	–	PRQ-86
Negative drain to source monitoring threshold 5	$V_{DSTH\_5\_NEG}$	-360	-300	-240	mV	–	PRQ-421
Positive drain to source monitoring threshold 6	$V_{DSTH\_6\_POS}$	320	400	480	mV	–	PRQ-87
Negative drain to source monitoring threshold 6	$V_{DSTH\_6\_NEG}$	-480	-400	-320	mV	–	PRQ-422
Positive drain to source monitoring threshold 7	$V_{DSTH\_7\_POS}$	400	500	600	mV	–	PRQ-88

**(table continues...)**

**6 Protection and monitoring**

**Table 21 (continued) Electrical characteristics: protection and monitoring**

Parameter	Symbol	Values			Unit	Note or condition	P-Number
		Min.	Typ.	Max.			
Negative drain to source monitoring threshold 7	$V_{DSTH\_7\_NEG}$	-600	-500	-400	mV	–	PRQ-423
Positive drain to source monitoring threshold 8	$V_{DSTH\_8\_POS}$	480	600	720	mV	–	PRQ-89
Negative drain to source monitoring threshold 8	$V_{DSTH\_8\_NEG}$	-720	-600	-480	mV	–	PRQ-424

**Gate to source monitoring threshold**

Gate to source undervoltage threshold rising	$V_{GS\_TH\_RIS}$	5.8	7	8.5	V	–	PRQ-144
Gate to source undervoltage threshold falling	$V_{GS\_TH\_FAL}$	5.65	6.6	7.4	V	–	PRQ-495
Gate to source undervoltage threshold hysteresis	$V_{GS\_UV\_HYS}$	100	400	900	mV	–	PRQ-496

**Source overvoltage threshold**

VSx overvoltage threshold	$V_{S\_TH}$	3.5	5	6.5	V	–	PRQ-145
---------------------------	-------------	-----	---	-----	---	---	---------

**VBAT undervoltage**

VBAT_UV switch OFF voltage	$V_{BAT\_UV\_OFF}$	17.5	18.5	19.5	V	–	PRQ-23
VBAT_UV switch ON voltage	$V_{BAT\_UV\_ON}$	18	19	20	V	–	PRQ-24
VBAT_UV hysteresis	$V_{BAT\_UV\_HYS}$	0.3	0.5	0.7	V	–	PRQ-431

**VBAT overvoltage**

VBAT_OV switch ON voltage	$V_{BAT\_OV\_ON}$	70	72	74	V	–	PRQ-119
VBAT_OV switch OFF voltage	$V_{BAT\_OV\_OFF}$	71	73	75	V	–	PRQ-26
VBAT_OV hysteresis	$V_{BAT\_OV\_HYS}$	0.5	1	2	V	–	PRQ-432

**VBAT undervoltage auto-restart duration**

Undervoltage auto-restart time 1	$t_{UV\_RESTART1}$	0.8	1	1.2	ms	<sup>1)</sup>	PRQ-309
Undervoltage auto-restart time 2	$t_{UV\_RESTART2}$	4	5	6	ms	<sup>1)</sup>	PRQ-310
Undervoltage auto-restart time 3	$t_{UV\_RESTART3}$	16	20	24	ms	<sup>1)</sup>	PRQ-311

**(table continues...)**

**6 Protection and monitoring**

**Table 21 (continued) Electrical characteristics: protection and monitoring**

Parameter	Symbol	Values			Unit	Note or condition	P-Number
		Min.	Typ.	Max.			
Undervoltage auto-restart time 4	$t_{UV\_RESTART4}$	40	50	60	ms	1)	PRQ-312
<b>VBAT overvoltage auto-restart duration</b>							
Overvoltage auto-restart time 1	$t_{OV\_RESTART1}$	10	13	16	$\mu$ s	1)	PRQ-299
Overvoltage auto-restart time 2	$t_{OV\_RESTART2}$	40	50	60	$\mu$ s	1)	PRQ-301
Overvoltage auto-restart time 3	$t_{OV\_RESTART3}$	160	200	240	$\mu$ s	1)	PRQ-302
Overvoltage auto-restart time 4	$t_{OV\_RESTART4}$	0.8	1	1.2	ms	1)	PRQ-303
<b>Temperature warning and shutdown</b>							
Thermal warning junction temperature	$T_{JW}$	110	130	150	$^{\circ}$ C	1)	PRQ-48
Thermal shutdown junction temperature	$T_{JSD}$	155	175	195	$^{\circ}$ C	1)	PRQ-49
Thermal warning hysteresis	$T_{JW\_HYS}$	–	10	–	K	1)	PRQ-405
Thermal shutdown hysteresis	$T_{JSD\_HYS}$	–	10	–	K	1)	PRQ-406
<b>VDD undervoltage</b>							
VDD_UV switch ON voltage	$V_{DD\_UV\_ON}$	–	–	2.8	V	–	PRQ-120
<b>Ground loss</b>							
Ground loss	$ V_{GND\_LOSS} $	0.18	0.3	0.5	V	–	PRQ-507

1) Not subject to production test, specified by design.



## 7 SPI

The device provides a SPI communication slave which uses the input lines SCLK, CSN and MOSI and the output line MISO.

The SPI uses a 16-bit protocol which transfers the MSB first and provides a daisy chain capability with other 16-bit SPI devices.

Any 16-bit data transfer starts by a falling edge on CSN.

While CSN is low, the incoming data on MOSI is sampled on the falling edge of SCLK while the outgoing data on MISO is shifted out on the rising edge of SCLK.

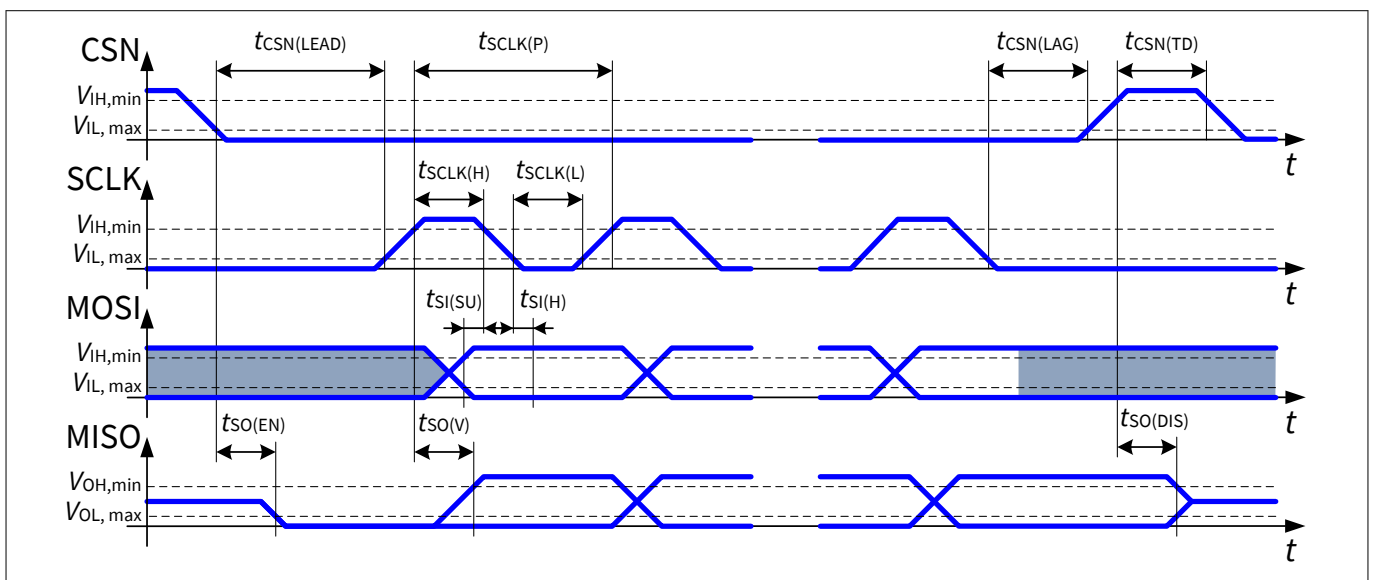
Each 16-bit data transfer is terminated by a rising edge on CSN.

The SPI includes a modulo 16 counter ensuring that data is taken only when a multiple of 16 bit has been transferred.

In case a wrong number of bit is transferred, or a wrong number of clock cycles is propagated, the SPI interface will generate a transmission error and it will not accept the data that has been just sent.

The system microcontroller selects the device by means of the CSN pin.

If CSN is high, the SPI ignores any signals at the SCLK and MOSI pins and forces the pin MISO into a high impedance state.



**Figure 10** SPI timings

### 7.1 Communication start

While CSN is low, data transfer can take place.

If CSN changes from high to low and SCLK is low for  $t_{CSN LEAD}$  or longer:

- The SPI transfers the information requested in the previous communications into the shift buffer
- The pin MISO changes from high impedance state to low state within  $t_{SO(EN)}$
- The modulo16 counter starts counting SCLK clocks

*Note:* CSN has to be kept low during the transfer of the whole communication frame.

If SCLK changes from low to high while CSN is low:

- The MISO signals the bit shifted out of the shift buffer (first clock the MSB) after  $t_{SO(V)}$

If SCLK changes from high to low while CSN is low:

- The data bits are shifted for one position to the MSB direction

## 7 SPI

- The MOSI signal is read into the shift buffer (at the LSB position) within  $t_{SI(H)}$
- The modulo 16 counter is increased by 1

The SPI MOSI input has to be valid  $t_{SI(SU)}$  before the falling edge of SCLK.

The clock circles with write, read and shift function have to be repeated, until the whole frame is read into the shift buffer (e.g. 16 repetitions for one SPI buffer).

### 7.2 Communication end

If CSN rises from low to high and the SCLK is low since  $t_{CSN(LAG)}$ , the value of the modulo 16 counter is checked.

If the modulo 16 counter signals a multiple (1,2,3...) of 16 SCLK clocks, the shift buffer data is executed as command (e.g. writing into the addressed register) within  $t_{CSN(TD)}$ .

MISO signals switches to high impedance within  $t_{SO(DIS)}$  after CSN went high.

The SPI interface is ready to start a new transfer with a CSN to low transition if the time  $t_{CSN(TD)}$  elapsed after the CSN went high.

### 7.3 SPI: electrical characteristics: timings

Unless otherwise specified: VBAT and VDD inside the normal operation range;  $T_j = -40^{\circ}\text{C}$  to  $+150^{\circ}\text{C}$ .

**Table 22 SPI electrical characteristics: timings**

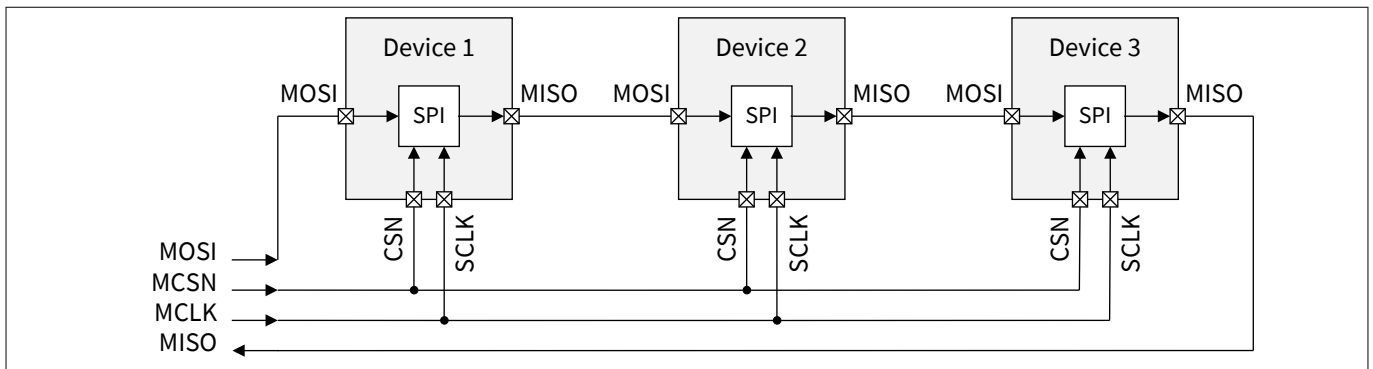
Parameter	Symbol	Values			Unit	Note or condition	P-Number
		Min.	Typ.	Max.			
Transfer delay time	$t_{CSN(TD)}$	400	–	–	ns	1)	PRQ-370
Enable lead time	$t_{CSN(LEAD)}$	200	–	–	ns	1)	PRQ-371
Enable lag time	$t_{CSN(LAG)}$	200	–	–	ns	1)	PRQ-372
Output enable time	$t_{SO(EN)}$	–	100	150	ns	1) $C_{load} = 100 \text{ pF}$	PRQ-373
Output disable time	$t_{SO(DIS)}$	–	100	150	ns	1) $C_{load} = 100 \text{ pF}$	PRQ-374
Serial clock high time	$t_{SCLK(H)}$	90	–	–	ns	1)	PRQ-375
Serial clock low time	$t_{SCLK(L)}$	90	–	–	ns	1)	PRQ-376

#### SPI frequency

Serial clock frequency	$f_{SCLK}$	0.5	–	5	MHz	1)	PRQ-377
Serial input setup time	$t_{SI(SU)}$	20	–	–	ns	1)	PRQ-426
Serial input hold time	$t_{SI(H)}$	20	–	–	ns	1)	PRQ-427
Serial output valid time	$t_{SO(V)}$	–	100	150	ns	1) $C_{load} = 100 \text{ pF}$	PRQ-428
SCLK duty cycle	$DC_{SCLK}$	47	50	53	%	1)	PRQ-478

1) Not subject to production test, specified by design.

## 7.4 Daisy Chain



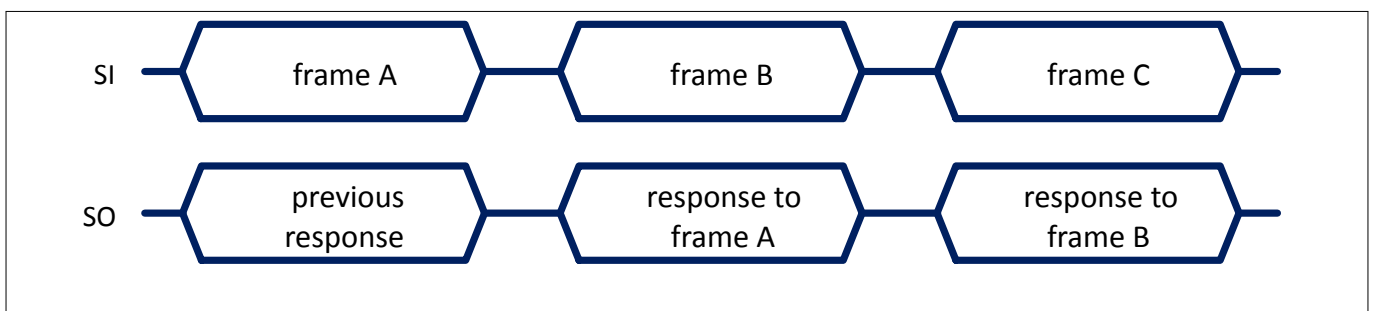
**Figure 11** Daisy chain capability

The SPI of the device provides daisy chain capability for modulo 16 bit SPI devices. In this configuration several devices are activated by the same CSN signal, called MCSN. The MOSI line of one device is connected with the MISO line of another device (see Figure 11), in order to build a chain. The end of the chain is connected to the input of the microcontroller, the output of the microcontroller to the beginning of the chain. The master device provides the master clock MCLK which is connected to the SCLK line of each device in the chain.

The microcontroller must set the MCSN to low and start the communication with a multiple of 16 bit data, the multiplier is the number of chained devices. The first data sent goes to the last devices (device 3 in Figure 11) with the last bit transferred. After the communication is finished the MCSN must go to high again.

*Note: A wrong number of master serial clocks will generate a transmission error from all devices in the chain.*

## 7.5 SPI Protocol



**Figure 12** Command response sequence

The SPI protocol provides the answer to a command frame only with the next transmission triggered by the microcontroller.

The relationship between MOSI and MISO content during SPI communication is shown in Figure 12.

MOSI line represents the frame sent from the microcontroller and MISO line is the answer provided by the gate driver SPI. The “previous response” means that the frame sent back depends on the command frame sent from the microcontroller before.

The responses of write commands are deterministic and are reporting the default diagnosis register.

The responses of a read command are the required register.

In case of transmission error the default response is the diagnosis register with the transmission error bit set to 1.

The SPI word is 16 bit wide and is structured according to the following tables.

**8 Register specification**

Word from microcontroller:

Read/Write	Address								Data							
R/W	A6/nu	A5	A4	A3	A2	A1	A0	D7	D6	D5	D4	D3	D2	D1	D0	

Response from SPI interface :

Trans ERROR	Address								Data							
TER	A6/nu	A5	A4	A3	A2	A1	A0	D7	D6	D5	D4	D3	D2	D1	D0	

A6..A0 are used to address a register, D7..D0 are data.

*Note: Bit A6 is reserved for future use (default value 0).*

The microcontroller can access to the SPI registers using the 16 bit word as described below.

Write procedure :

- Set MSB to 1 (read/write bit)
- Addressing the register using A [6...0]
- Preparing the data in Data [7 ... 0]

Read procedure:

- Set MSB to 0 (read/write bit)
- Addressing the register using A [6...0]
- Data bits are don't care

Any communication of the microcontroller with the SPI interface is responded by the SPI interface.

In any case the response will report the transmission error bit TER as MSB representing the validity of the previous communication.

**Table 23 TER bit**

TER bit	Communication status
1	Error in the previous communication
0	No error in the previous communication

After a reset as described in [Chapter 4.2.4](#), the TER bit in the response to the first command is set high, to inform the master that this is the first communication.

Beside the TER bit, the response to a microcontroller communication contains:

- In case of a write command: the standard diagnosis (address 00000b).
- In case of a read command: the data in the addressed register. In this case, the answer will contain both the address of the register and the data there contained.

The answer is on the next frame, as explained in [Figure 12](#).

The first response after power on is by default the standard diagnosis register content. Within the information the  $V_{DD\_UV}$  is set to 1 in order to inform about the power off situation before the communication.

**8 Register specification**

**8.1 Control registers**

**8 Register specification**

Address	RW	D7	D6	D5	D4	D3	D2	D1	D0	Register Name	Register Functions
0	R	FAILURE	VCP_READY	MEM_FAIL	OT_WARNING	TSD	VDD_UV	VBAT_UV	VBAT_OV	<b>STDIAG</b>	General diagnosis (battery voltage status, VDD undervoltage, overtemperature, warning temperature, overcurrent, cp_ready, power management ok)
1	R	VCP_UV	ITRIP	VGSTH_B	VDSTRIP_B	VSOURCE_B	VGSTH_A	VDSTRIP_A	VSOURCE_A	<b>CHDIAG</b>	Channel specific diagnosis (gate source voltage, drain source voltage, source overvoltage)
2	R				LOG_A	LOG_D	LOG_CP	ADD_NOT_AV	SAFESTATEN	<b>DIAG</b>	Diagnosis
3	WR	CHCRCTRL	ITRIP_CL	VGSTH_B_CL	VDSB_CL	MOSONCH_B	VGSTH_A_CL	VDSA_CL	MOSONCH_A	<b>MOS_CHS_CTRL</b>	Channels A and B activation and cleaning related failure
4	W	VCP_UV_CL		SAFESTATE_CL	INT_CLEAN	TSD_CL	VDD_UV_CL	VBATUV_CL	VBATOV_CL	<b>FAILURE_CLEAN</b>	Clean failures
5	WR	VDSB_SS		VDSTH_B		VDSA_SS		VDSTH_A		<b>VDSTH_A_B</b>	Drain-source overvoltage threshold - channel A and channel B
6	WR	MOSBLK_B		MOSFLT_B		MOSBLK_A		MOSFLT_A		<b>MOSFLTBLKA_B</b>	MOS voltage filter and blank time - channel A and channel B
7	WR		CSA_OUTSEL	CSA_HSS		OCTH		CSAG		<b>CSAG_OCTH</b>	Current sense amplifier gain $G_{DIFF}$ and overcurrent detection thresholds
8	WR					VBATUVARST		VBATOVARST		<b>VBATOVUVRST</b>	VBAT overvoltage and undervoltage auto-restart time
9	W			FAIL_RST_1	SFT_RST_1		GEN_INTERRUPT	FAIL_RST_0	SFT_RST_0	<b>RESETS</b>	Reset Register
10	WR	SPARE_7	SPARE_6	SPARE_5	SPARE_4	SPARE_3	SPARE_2	SPARE_1	SPARE_0	<b>SPARE_REG</b>	Spare Register

**Figure 13** Registers overview

**8 Register specification**

**Table 24 Bit descriptions**

Register Name	Bit	Bit name	Description
STDIAG	7	FAILURE	Main failure indication, 1 when there is a failure
	6	VCP_READY	Charge pump is ready
	5	MEM_FAIL	Error in the memory, trimming not possible (flag cannot be cleaned)
	4	OT_WARNING	Temperature warning
	3	TSD	Chip in overtemperature (latched)
	2	VDD_UV	VDD undervoltage propagated in the first command and indicates an under voltage event
	1	VBAT_UV	VBAT undervoltage failure (not latched)
	0	VBAT_OV	VBAT overvoltage failure (not latched)
CHDIAG	7	VCP_UV	Charge pump undervoltage
	6	ITRIP	Overcurrent failure (latched)
	5	VGSTH_B	Gate-source undervoltage - channel B (latched)
	4	VDSTRIP_B	Drain to source overvoltage - channel B (latched)
	3	VSOURCE_B	Source overvoltage - channel B
	2	VGSTH_A	Gate-source undervoltage - channel A (latched)
	1	VDSTRIP_A	Drain to source overvoltage - channel A (latched)
	0	VSOURCE_A	Source overvoltage - channel A
DIAG	4	LOG_A	Loss of ground connection on AGND
	3	LOG_D	Loss of ground connection on GND
	2	LOG_CP	Loss of ground connection on CPGND
	1	ADD_NOT_AVAIL	Address not available
	0	SAFESTATEN	Reflection of the SAFESTATEN pin
MOS_CHS_CTRL	7	CHCRCTRL	Channel cross control activation
	6	ITRIP_CL	Clear ITRIP flag
	5	VGSTH_B_CL	Clear VGS flag channel B
	4	VDSB_CL	Clear VDS flag channel B
	3	MOSONCH_B	Switch on channel B
	2	VGSTH_A_CL	Clear VGS flag channel A
	1	VDSA_CL	Clear VDS flag channel A
	0	MOSONCH_A	Switch on channel A
FAILURE CLEAN	7	VCP_UC_CL	Clear charge pump undervoltage failure
	5	SAFESTATE_CL	Clear Safestate failure
	4	INT_CLEAN	Clear interrupt
	3	TSD_CL	Clear overtemperature failure

**(table continues...)**

**8 Register specification**

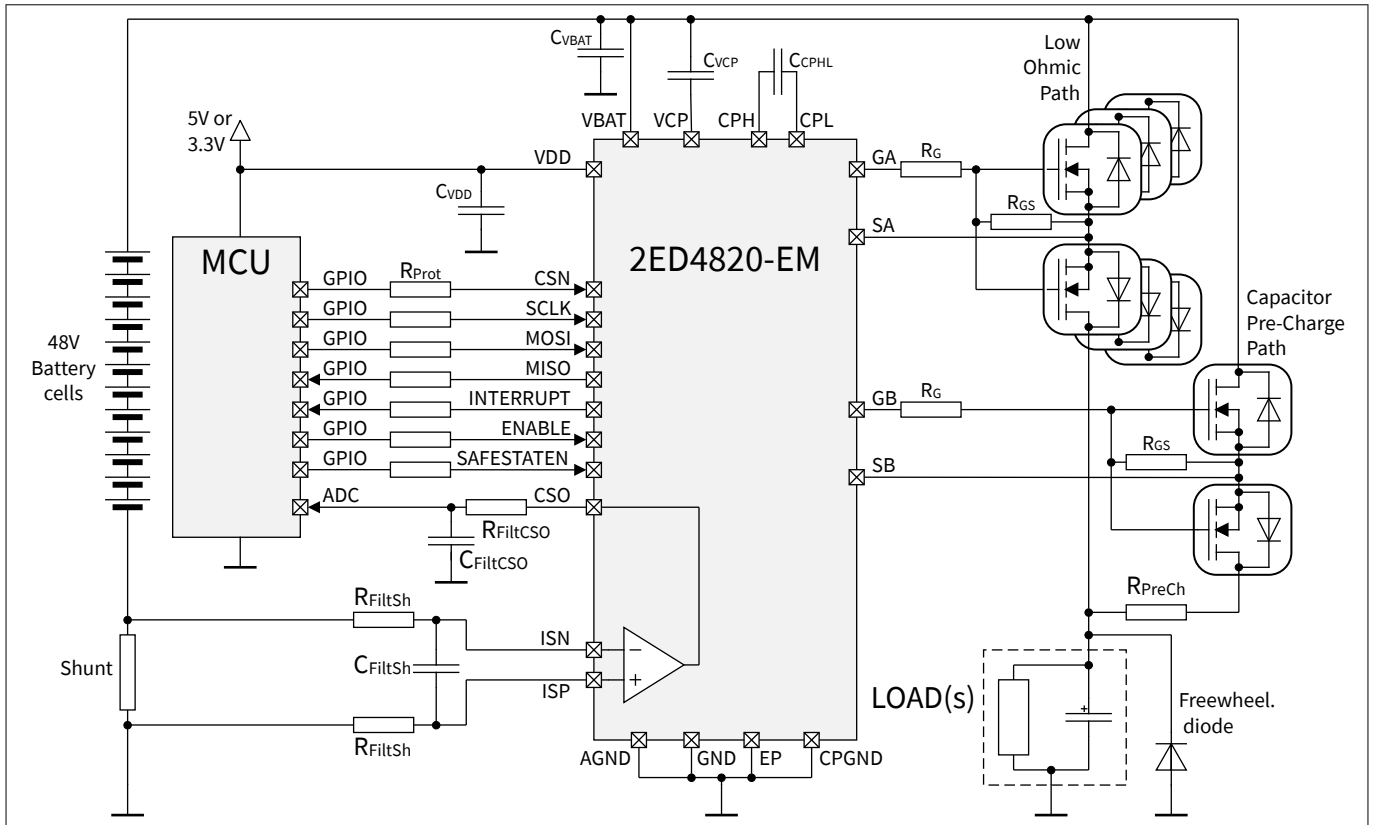
**Table 24 (continued) Bit descriptions**

Register Name	Bit	Bit name	Description
	2	VDD_UV_CL	Clear VDD undervoltage failure
	1	VBATUV_CL	Clear VBAT overvoltage failure
	0	VBATOV_CL	Clear VBAT undervoltage failure
VDSTHA_B	7	VDSB_SS	VDS channel B safe state on when 1. VDS safe state off when 0.
	[6:4]	VDSTH_B	Drain-source overvoltage threshold channel B
	3	VDSA_SS	VDS channel A safe state on when 1. VDS safe state off when 0.
	[2:0]	VDSTH_A	Drain-source overvoltage threshold channel A
MOSFLTBLKA_B	[7:6]	MOSBLK_B	MOS voltage blank time channel B
	[5:4]	MOSFLT_B	MOS voltage filter time channel B
	[3:2]	MOSBLK_A	MOS voltage blank time channel A
	[1:0]	MOSFLT_A	MOS voltage filter time channel A
CSAG_OCTH	6	CSA_COUTSEL	Configures the current sense amplifier output stage depending on the output capacitor
	5	CSA_HSS	Control signal to select the CSA configuration LSS or HSS (or bidirectional)
	[4:3]	OCTH	Overcurrent detection thresholds
	[2:0]	CSAG	Current sense amplifier gain $G_{DIFF}$
VBATOVUVRST	[3:2]	VBATUVRST	VBAT undervoltage auto-restart time
	[1:0]	VBATOVARST	VBAT overvoltage auto-restart time
RESETS	5	FAIL_RST_1	Reset Fails registers 1
	4	SFT_RST_1	Software Reset 1
	2	GEN_INTERRUPT	Generate interrupt signal
	1	FAIL_RST_0	Reset Fails registers 0
	0	SFT_RST_0	Software Reset 0
SPARE_REG	7	SPARE_7	Spare register bit 7
	6	SPARE_6	Spare register bit 6
	5	SPARE_5	Spare register bit 5
	4	SPARE_4	Spare register bit 4
	3	SPARE_3	Spare register bit 3
	2	SPARE_2	Spare register bit 2
	1	SPARE_1	Spare register bit 1
	0	SPARE_0	Spare register bit 0

**9 Application information**

**9 Application information**

**9.1 48 V battery protection switch with low-side current sense and capacitive pre-charge**

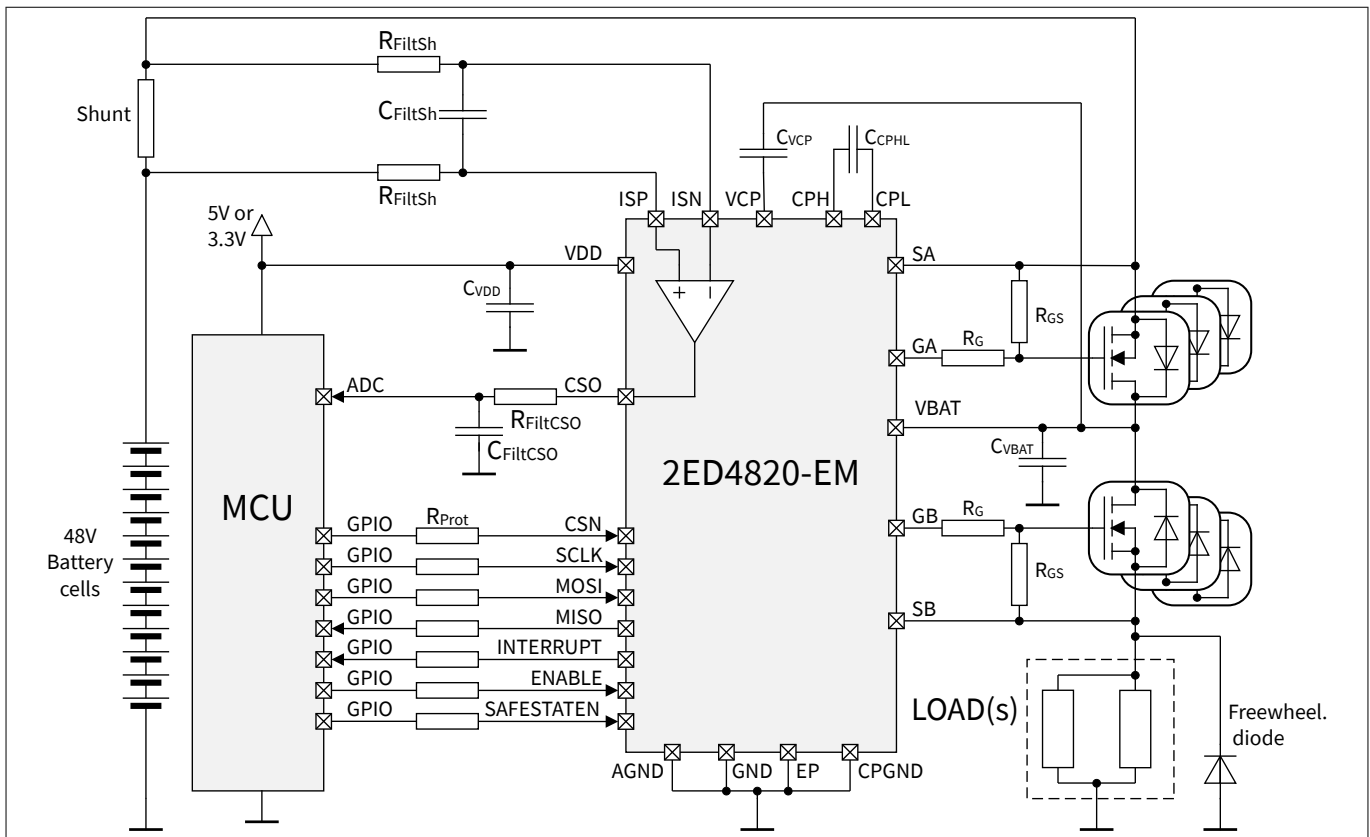


**Figure 14 48 V battery protection switch application diagram**



**9 Application information**

**9.2 Common drain with high-side current sense**



**Figure 15 Common drain with high-side current sense application diagram**

**9.3 Bill of material**

Supply pins have to be decoupled with ceramic capacitors, positioned as follows:

- $C_{VBAT}$  close to VBAT and AGND pins
- $C_{VDD}$  close to VDD and GND pins
- $C_{VCP}$  close to VCP and VBAT pins

**Table 25 Bill of material**

Reference	Value	Purpose
$R_{Prot}$	1.0 k $\Omega$	Protection of the microcontroller
$C_{VDD}$	1.0 $\mu$ F	Supply decoupling; on layout, located close to the VDD & GND pins
$C_{VBAT}$	4.7 $\mu$ F + 220 nF	Supply decoupling; on layout, located close to the VBAT & AGND pins
$C_{VCP}$	2.2 $\mu$ F	Charge pump output capacitor - value depends on number of MOSFETs to drive
$C_{CPHL}$	220 nF	Charge pump capacitor
$R_G$	10.0 $\Omega$	Gate protection resistor
$R_{GS}$	150.0 k $\Omega$	Gate to source pull-down resistor
$R_{PreCh}$	10.0 $\Omega$	Power resistor limiting the capacitor pre-charge current

**(table continues...)**

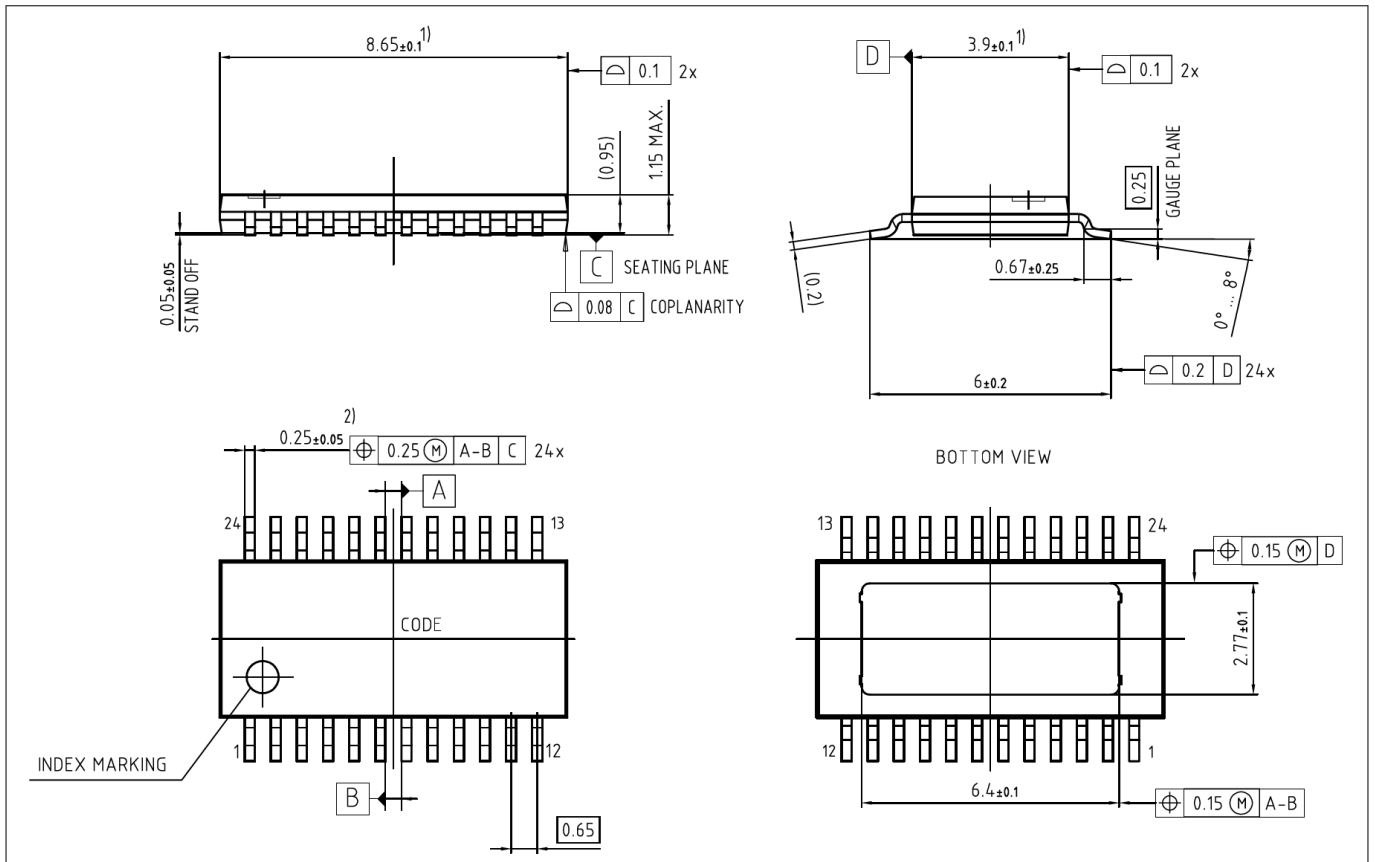
**9 Application information**

**Table 25 (continued) Bill of material**

$R_{\text{FiltCSO}}$	10.0 k $\Omega$	Protection of the microcontroller and low pass filter on current sense output
$C_{\text{FiltCSO}}$	10 nF	Low pass filter on current sense output - value depends on bandwidth required
$R_{\text{FiltSh}}$	4.7 $\Omega$	Filter to cancel the inductive part of the shunt - value depends on Shunt
$C_{\text{FiltSh}}$	1 $\mu\text{F}$	Filter to cancel the inductive part of the shunt - value depends on Shunt

**10 Package**

**10 Package**



**Figure 16 Package dimensions**

To meet the world-wide customer requirements for environmentally friendly products and to be compliant with government regulations the device is available as a green product. Green products are RoHS-Compliant (i.e. Pb-free finish on leads and suitable for Pb-free soldering according to IPC/JEDEC J-STD-020).

**Revision history**

**Revision history**

<b>Document version</b>	<b>Date of release</b>	<b>Description of changes</b>
Rev. 1.00	2021-07-23	<ul style="list-style-type: none"><li>• Datasheet creation</li></ul>

## Trademarks

All referenced product or service names and trademarks are the property of their respective owners.

**Edition 2021-07-23**

**Published by**  
**Infineon Technologies AG**  
**81726 Munich, Germany**

**© 2021 Infineon Technologies AG**  
**All Rights Reserved.**

**Do you have a question about any aspect of this document?**  
**Email: [erratum@infineon.com](mailto:erratum@infineon.com)**

**Document reference**  
**IFX-wrl1623741697453**

## IMPORTANT NOTICE

The information given in this document shall in no event be regarded as a guarantee of conditions or characteristics ("Beschaffheitsgarantie").

With respect to any examples, hints or any typical values stated herein and/or any information regarding the application of the product, Infineon Technologies hereby disclaims any and all warranties and liabilities of any kind, including without limitation warranties of non-infringement of intellectual property rights of any third party.

In addition, any information given in this document is subject to customer's compliance with its obligations stated in this document and any applicable legal requirements, norms and standards concerning customer's products and any use of the product of Infineon Technologies in customer's applications.

The data contained in this document is exclusively intended for technically trained staff. It is the responsibility of customer's technical departments to evaluate the suitability of the product for the intended application and the completeness of the product information given in this document with respect to such application.

## WARNINGS

Due to technical requirements products may contain dangerous substances. For information on the types in question please contact your nearest Infineon Technologies office.

Except as otherwise explicitly approved by Infineon Technologies in a written document signed by authorized representatives of Infineon Technologies, Infineon Technologies' products may not be used in any applications where a failure of the product or any consequences of the use thereof can reasonably be expected to result in personal injury.

## X-ON Electronics

Largest Supplier of Electrical and Electronic Components

*Click to view similar products for [Gate Drivers](#) category:*

*Click to view products by [Infineon](#) manufacturer:*

Other Similar products are found below :

[00053P0231](#) [56956](#) [57.404.7355.5](#) [LT4936](#) [57.904.0755.0](#) [5882900001](#) [00600P0005](#) [00-9050-LRPP](#) [00-9090-RDPP](#) [5951900000](#) [01-1003W-10/32-15](#) [0131700000](#) [00-2240](#) [LTP70N06](#) [LVP640](#) [5J0-1000LG-SIL](#) [LY1D-2-5S-AC120](#) [LY2-US-AC240](#) [LY3-UA-DC24](#) [00576P0020](#) [00600P0010](#) [LZN4-UA-DC12](#) [LZNQ2M-US-DC5](#) [LZNQ2-US-DC12](#) [LZP40N10](#) [00-8196-RDPP](#) [00-8274-RDPP](#) [00-8275-RDNP](#) [00-8722-RDPP](#) [00-8728-WHPP](#) [00-8869-RDPP](#) [00-9051-RDPP](#) [00-9091-LRPP](#) [00-9291-RDPP](#) [0207100000](#) [0207400000](#) [01312](#) [0134220000](#) [60713816](#) [M15730061](#) [61161-90](#) [61278-0020](#) [6131-204-23149P](#) [6131-205-17149P](#) [6131-209-15149P](#) [6131-218-17149P](#) [6131-220-21149P](#) [6131-260-2358P](#) [6131-265-11149P](#) [CS1HCPU63](#)