

### Features

- Advanced Process Technology
- Logic Level Gate Drive
- Ultra Low On-Resistance
- 175°C Operating Temperature
- Fast Switching
- Repetitive Avalanche Allowed up to  $T_{jmax}$
- Lead-Free, RoHS Compliant
- Automotive Qualified \*

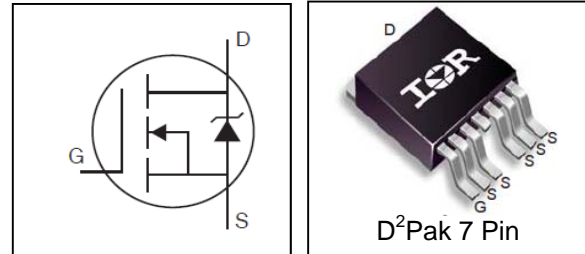
### Description

Specifically designed for Automotive applications, this HEXFET® Power MOSFET utilizes the latest processing techniques to achieve extremely low on-resistance per silicon area. Additional features of this design are a 175°C junction operating temperature, fast switching speed and improved repetitive avalanche rating. These features combine to make this design an extremely efficient and reliable device for use in Automotive applications and wide variety of other applications.

### Applications

- Electric Power Steering (EPS)
- Battery Switch
- Start/Stop Micro Hybrid
- Heavy Loads
- DC-DC Converter

|                          |             |
|--------------------------|-------------|
| $V_{DSS}$                | 40V         |
| $R_{DS(on)}$ <b>typ.</b> | 0.50mΩ      |
|                          | <b>max.</b> |
| $I_D$ (Silicon Limited)  | 500AⓈ       |
| $I_D$ (Package Limited)  | 240A        |



|      |       |        |
|------|-------|--------|
| G    | D     | S      |
| Gate | Drain | Source |

| Base Part Number | Package Type | Standard Pack      |          | Complete Part Number |
|------------------|--------------|--------------------|----------|----------------------|
|                  |              | Form               | Quantity |                      |
| AUIRLS8409-7P    | D²Pak-7PIN   | Tube               | 50       | AUIRLS8409-7P        |
|                  |              | Tape and Reel Left | 800      | AUIRLS8409-7TRL      |

### Absolute Maximum Ratings

Stresses beyond those listed under “Absolute Maximum Ratings” may cause permanent damage to the device. These are stress ratings only; and functional operation of the device at these or any other condition beyond those indicated in the specifications is not implied. Exposure to absolute-maximum-rated conditions for extended periods may affect device reliability. The thermal resistance and power dissipation ratings are measured under board mounted and still air conditions. Ambient temperature (TA) is 25°C, unless otherwise specified.

| Symbol                    | Parameter                                                    | Max.         | Units |
|---------------------------|--------------------------------------------------------------|--------------|-------|
| $I_D @ T_C = 25^\circ C$  | Continuous Drain Current, $V_{GS} @ 10V$ (Silicon Limited)   | 500Ⓢ         | A     |
| $I_D @ T_C = 100^\circ C$ | Continuous Drain Current, $V_{GS} @ 10V$ (Silicon Limited)   | 353Ⓢ         |       |
| $I_D @ T_C = 25^\circ C$  | Continuous Drain Current, $V_{GS} @ 10V$ (Wire Bond Limited) | 240          |       |
| $I_{DM}$                  | Pulsed Drain Current ②                                       | 1200Ⓢ        |       |
| $P_D @ T_C = 25^\circ C$  | Maximum Power Dissipation                                    | 375          | W     |
|                           | Linear Derating Factor                                       | 2.5          | W/°C  |
| $V_{GS}$                  | Gate-to-Source Voltage                                       | ± 16         | V     |
| $T_J$                     | Operating Junction and Storage Temperature Range             | -55 to + 175 | °C    |
| $T_{STG}$                 |                                                              |              |       |

### Avalanche Characteristics

|                              |                                 |                           |    |
|------------------------------|---------------------------------|---------------------------|----|
| $E_{AS}$ (Thermally Limited) | Single Pulse Avalanche Energy ③ | 730                       | mJ |
| $E_{AS}$ (Tested)            | Single Pulse Avalanche Energy ③ | 1580                      |    |
| $I_{AR}$                     | Avalanche Current ②             | See Fig. 14, 15, 22a, 22b | A  |
| $E_{AR}$                     | Repetitive Avalanche Energy ②   |                           | mJ |

HEXFET® is a registered trademark of Infineon.

\*Qualification standards can be found at [www.infineon.com](http://www.infineon.com)

**Thermal Resistance**

| Symbol          | Parameter                         | Typ. | Max. | Units |
|-----------------|-----------------------------------|------|------|-------|
| $R_{\theta JC}$ | Junction-to-Case ⑨                | —    | 0.4  | °C/W  |
| $R_{\theta JA}$ | Junction-to-Ambient (PCB Mount) ⑩ | —    | 40   |       |

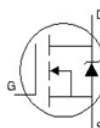
**Static Electrical Characteristics @  $T_J = 25^\circ\text{C}$  (unless otherwise specified)**

| Symbol                          | Parameter                            | Min. | Typ.  | Max. | Units      | Conditions                                            |
|---------------------------------|--------------------------------------|------|-------|------|------------|-------------------------------------------------------|
| $V_{(BR)DSS}$                   | Drain-to-Source Breakdown Voltage    | 40   | —     | —    | V          | $V_{GS} = 0V, I_D = 250\mu A$                         |
| $\Delta V_{(BR)DSS}/\Delta T_J$ | Breakdown Voltage Temp. Coefficient  | —    | 0.033 | —    | V/°C       | Reference to $25^\circ\text{C}, I_D = 5.0\text{mA}$ ② |
| $R_{DS(on)}$                    | Static Drain-to-Source On-Resistance | —    | 0.50  | 0.75 | m $\Omega$ | $V_{GS} = 10V, I_D = 100A$ ⑤                          |
|                                 |                                      | —    | 0.60  | 0.85 | m $\Omega$ | $V_{GS} = 5.5V, I_D = 50A$ ⑤                          |
|                                 |                                      | —    | 0.75  | 1.10 | m $\Omega$ | $V_{GS} = 4.5V, I_D = 50A$ ⑤                          |
| $V_{GS(th)}$                    | Gate Threshold Voltage               | 1.0  | —     | 2.4  | V          | $V_{DS} = V_{GS}, I_D = 250\mu A$                     |
| $I_{DSS}$                       | Drain-to-Source Leakage Current      | —    | —     | 1.0  | $\mu A$    | $V_{DS} = 40V, V_{GS} = 0V$                           |
|                                 |                                      | —    | —     | 150  |            | $V_{DS} = 40V, V_{GS} = 0V, T_J = 125^\circ\text{C}$  |
| $I_{GSS}$                       | Gate-to-Source Forward Leakage       | —    | —     | 100  | nA         | $V_{GS} = 16V$                                        |
|                                 | Gate-to-Source Reverse Leakage       | —    | —     | -100 |            | $V_{GS} = -16V$                                       |
| $R_G$                           | Internal Gate Resistance             | —    | 2.0   | —    | $\Omega$   |                                                       |

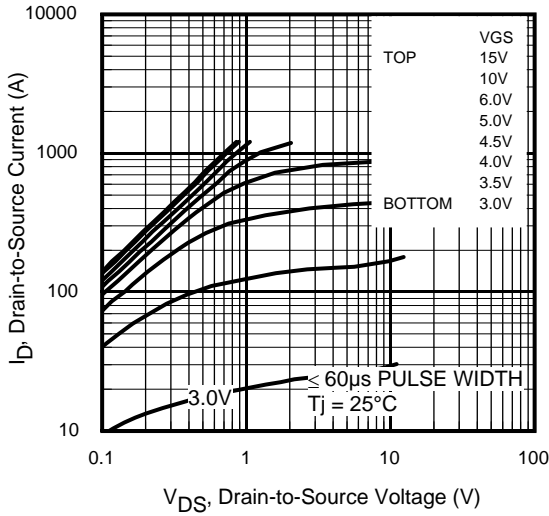
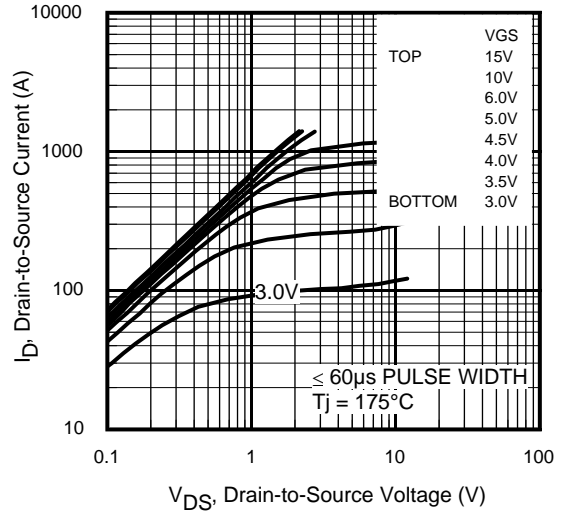
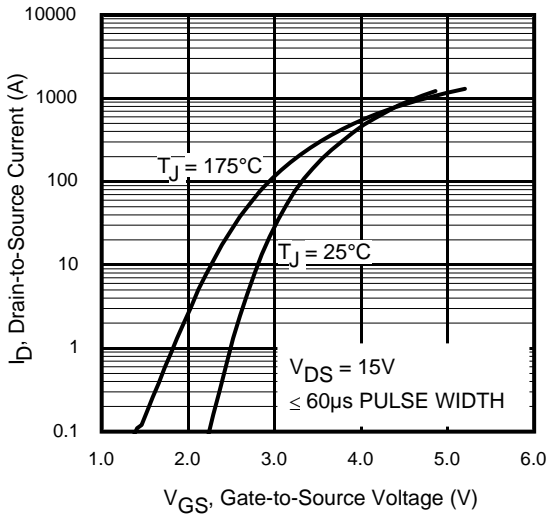
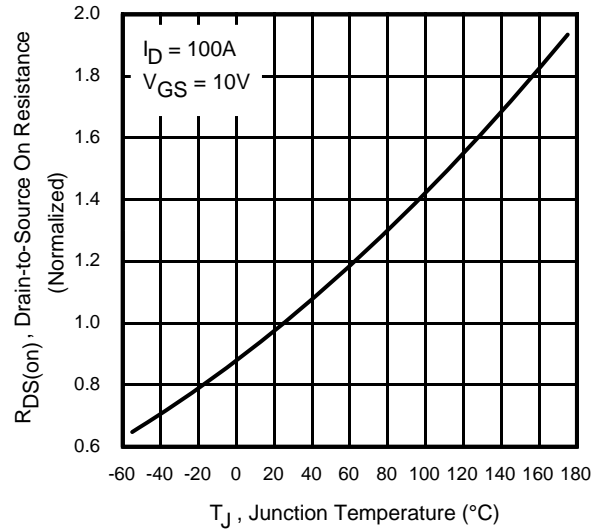
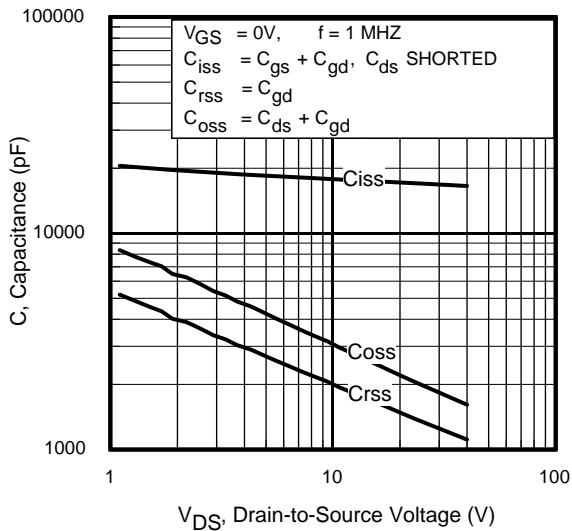
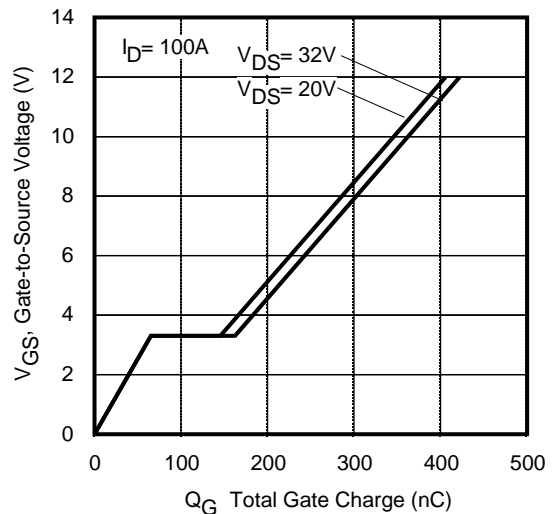
**Dynamic Electrical Characteristics @  $T_J = 25^\circ\text{C}$  (unless otherwise specified)**

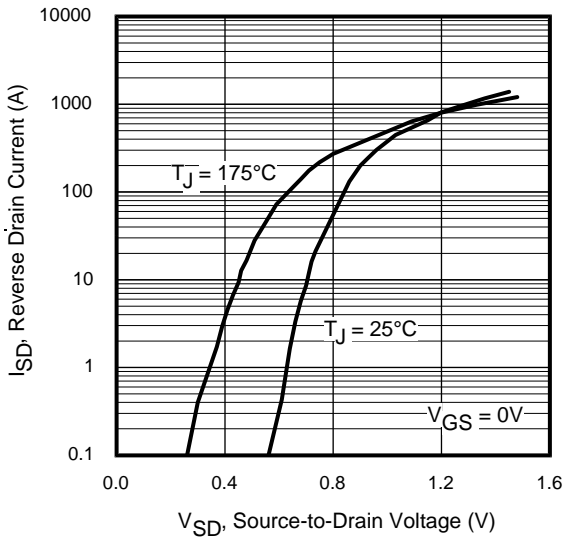
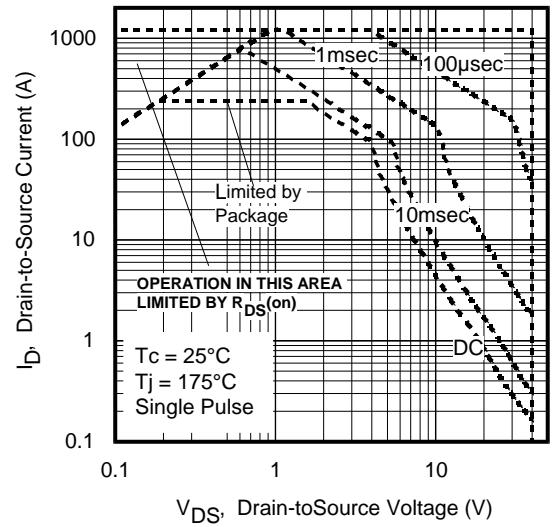
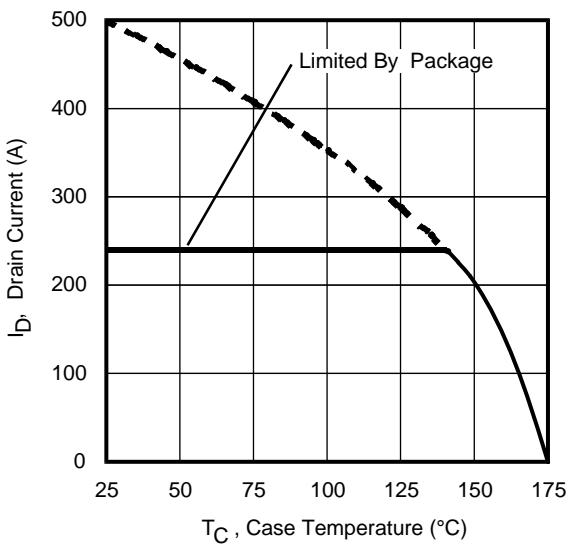
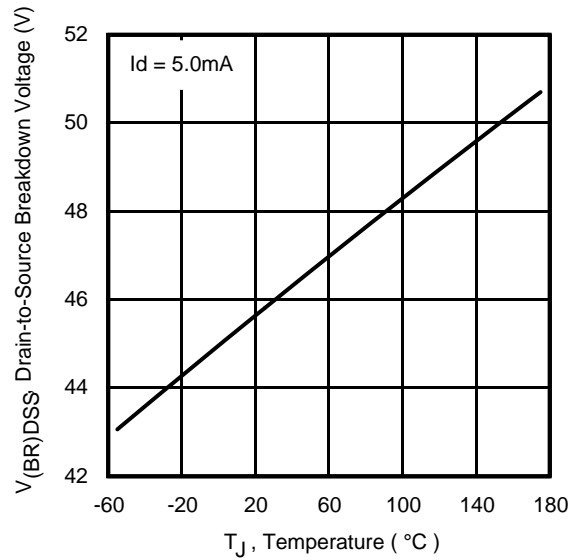
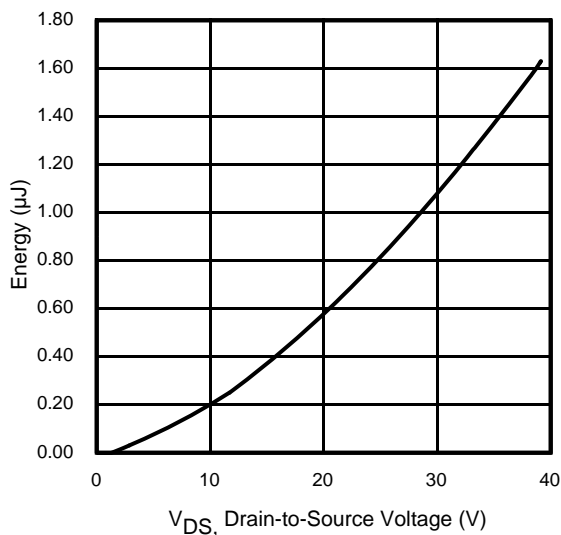
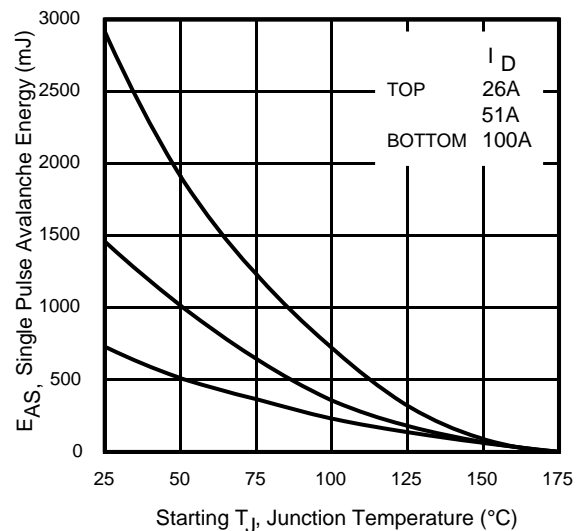
| Symbol                     | Parameter                                       | Min. | Typ.  | Max. | Units | Conditions                                 |
|----------------------------|-------------------------------------------------|------|-------|------|-------|--------------------------------------------|
| gfs                        | Forward Transconductance                        | 220  | —     | —    | S     | $V_{DS} = 10V, I_D = 100A$                 |
| $Q_g$                      | Total Gate Charge                               | —    | 177   | 266  | nC    | $I_D = 100A$                               |
| $Q_{gs}$                   | Gate-to-Source Charge                           | —    | 65    | —    |       | $V_{DS} = 20V$                             |
| $Q_{gd}$                   | Gate-to-Drain ("Miller") Charge                 | —    | 80    | —    |       | $V_{GS} = 4.5V$ ⑤                          |
| $Q_{sync}$                 | Total Gate Charge Sync. ( $Q_g - Q_{gd}$ )      | —    | 97    | —    |       |                                            |
| $t_{d(on)}$                | Turn-On Delay Time                              | —    | 14    | —    | ns    | $V_{DD} = 20V$                             |
| $t_r$                      | Rise Time                                       | —    | 71    | —    |       | $I_D = 100A$                               |
| $t_{d(off)}$               | Turn-Off Delay Time                             | —    | 260   | —    |       | $R_G = 2.7\Omega$                          |
| $t_f$                      | Fall Time                                       | —    | 115   | —    |       | $V_{GS} = 10V$ ⑤                           |
| $C_{iss}$                  | Input Capacitance                               | —    | 16488 | —    | pF    | $V_{GS} = 0V$                              |
| $C_{oss}$                  | Output Capacitance                              | —    | 1990  | —    |       | $V_{DS} = 25V$                             |
| $C_{rss}$                  | Reverse Transfer Capacitance                    | —    | 1373  | —    |       | $f = 1.0\text{ MHz}$                       |
| $C_{oss\text{ eff. (ER)}}$ | Effective Output Capacitance (Energy Related) ⑦ | —    | 2323  | —    |       | $V_{GS} = 0V, V_{DS} = 0V\text{ to }32V$ ⑦ |
| $C_{oss\text{ eff. (TR)}}$ | Effective Output Capacitance (Time Related) ⑧   | —    | 2875  | —    |       | $V_{GS} = 0V, V_{DS} = 0V\text{ to }32V$ ⑧ |

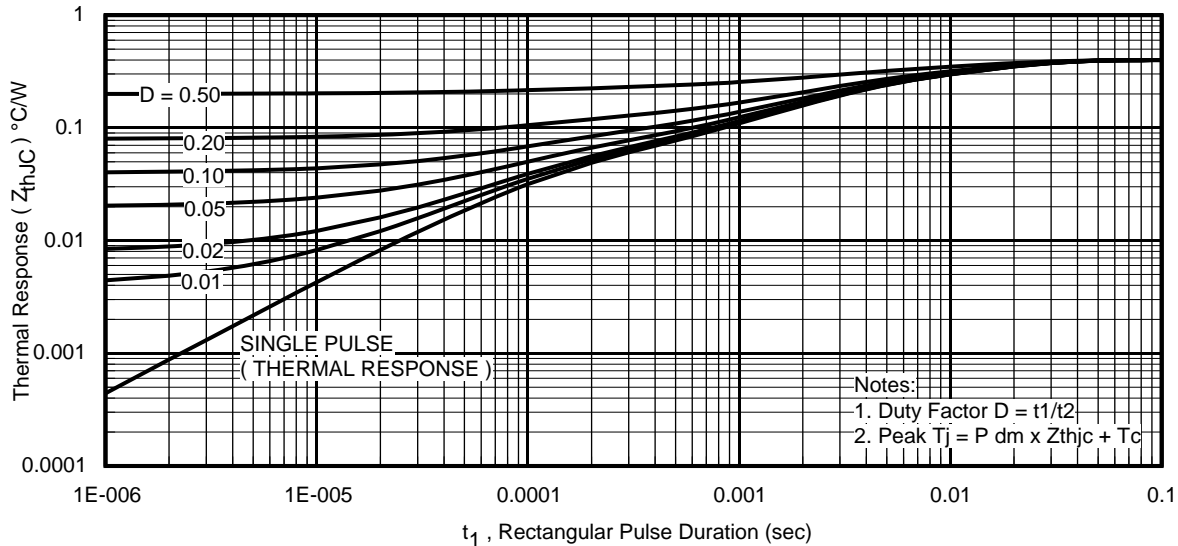
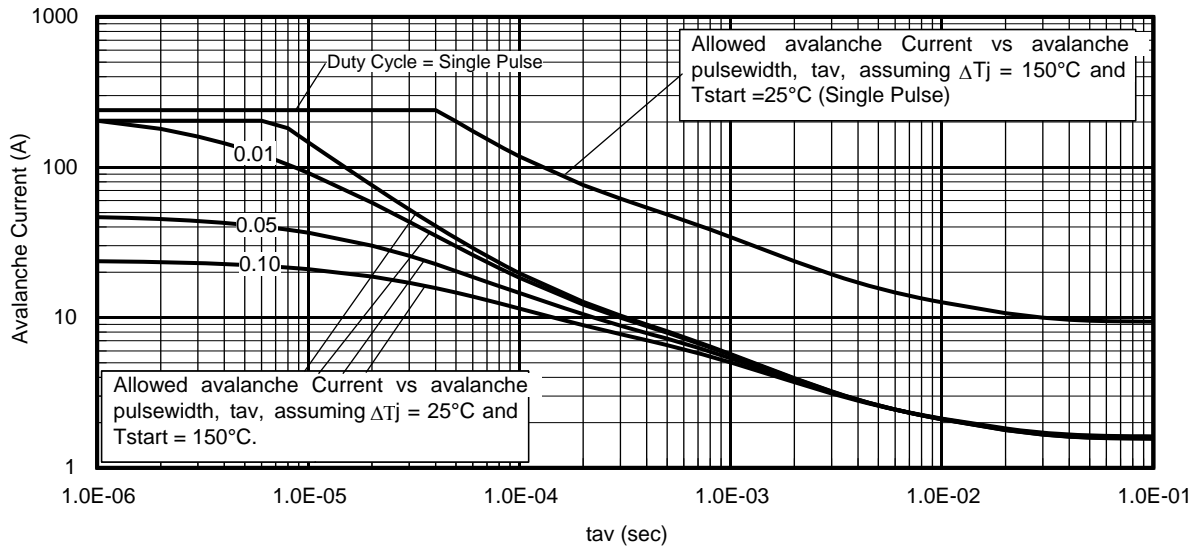
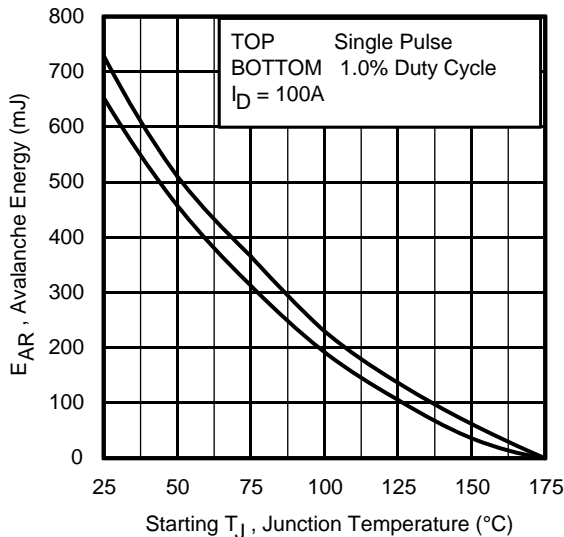
**Diode Characteristics**

| Symbol    | Parameter                              | Min. | Typ. | Max.   | Units | Conditions                                                                                                                                           |
|-----------|----------------------------------------|------|------|--------|-------|------------------------------------------------------------------------------------------------------------------------------------------------------|
| $I_S$     | Continuous Source Current (Body Diode) | —    | —    | 500 ①  | A     | MOSFET symbol showing the integral reverse p-n junction diode.  |
| $I_{SM}$  | Pulsed Source Current (Body Diode) ②   | —    | —    | 1200 ⑩ | A     |                                                                                                                                                      |
| $V_{SD}$  | Diode Forward Voltage                  | —    | 0.8  | 1.2    | V     | $T_J = 25^\circ\text{C}, I_S = 100A, V_{GS} = 0V$ ⑤                                                                                                  |
| dv/dt     | Peak Diode Recovery ④                  | —    | 2.4  | —      | V/ns  | $T_J = 175^\circ\text{C}, I_S = 100A, V_{GS} = 40V$                                                                                                  |
| $t_{rr}$  | Reverse Recovery Time                  | —    | 52   | —      | ns    | $T_J = 25^\circ\text{C}$                                                                                                                             |
|           |                                        | —    | 57   | —      |       | $T_J = 125^\circ\text{C}$                                                                                                                            |
| $Q_{rr}$  | Reverse Recovery Charge                | —    | 97   | —      | nC    | $T_J = 25^\circ\text{C}$                                                                                                                             |
|           |                                        | —    | 97   | —      |       | $T_J = 125^\circ\text{C}$                                                                                                                            |
| $I_{RRM}$ | Reverse Recovery Current               | —    | 2.8  | —      | A     | $T_J = 25^\circ\text{C}$                                                                                                                             |

Notes ① and ⑩ are on page 7


**Fig. 1** Typical Output Characteristics

**Fig. 2** Typical Output Characteristics

**Fig. 3** Typical Transfer Characteristics

**Fig. 4** Normalized On-Resistance vs. Temperature

**Fig. 5.** Typical Capacitance vs. Drain-to-Source Voltage

**Fig. 6.** Typical Gate Charge vs. Gate-to-Source Voltage


**Fig. 7** Typical Source-to-Drain Diode

**Fig. 8.** Maximum Safe Operating Area

**Fig. 9.** Maximum Drain Current vs. Case Temperature

**Fig. 10.** Drain-to-Source Breakdown Voltage

**Fig. 11.** Typical Coss Stored Energy

**Fig. 12.** Maximum Avalanche Energy vs. Drain Current


**Fig 13. Maximum Effective Transient Thermal Impedance, Junction-to-Case**

**Fig 14. Typical Avalanche Current vs. Pulse width**

**Notes on Repetitive Avalanche Curves, Figures 14, 15:  
(For further info, see AN-1005 at www.irf.com)**

1. Avalanche failures assumption:  
Purely a thermal phenomenon and failure occurs at a temperature far in excess of  $T_{jmax}$ . This is validated for every part type.
2. Safe operation in Avalanche is allowed as long as  $T_{jmax}$  is not exceeded.
3. Equation below based on circuit and waveforms shown in Figures 23a, 23b.
4.  $P_{D(ave)}$  = Average power dissipation per single avalanche pulse.
5.  $BV$  = Rated breakdown voltage (1.3 factor accounts for voltage increase during avalanche).
6.  $I_{av}$  = Allowable avalanche current.
7.  $\Delta T$  = Allowable rise in junction temperature, not to exceed  $T_{jmax}$  (assumed as 25°C in Figure 13, 14).  
 $t_{av}$  = Average time in avalanche.  
 $D$  = Duty cycle in avalanche =  $t_{av} \cdot f$   
 $Z_{thJC}(D, t_{av})$  = Transient thermal resistance, see Figures 13)

$$P_{D(ave)} = 1/2 ( 1.3 \cdot BV \cdot I_{av} ) = \Delta T / Z_{thJC}$$

$$I_{av} = 2\Delta T / [ 1.3 \cdot BV \cdot Z_{th} ]$$

$$E_{AS(AR)} = P_{D(ave)} \cdot t_{av}$$

**Fig 15. Maximum Avalanche Energy vs. Temperature**

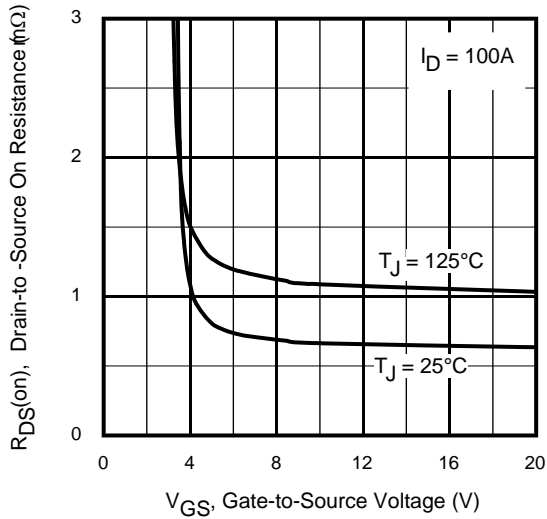


Fig 16. Typical On-Resistance vs. Gate Voltage

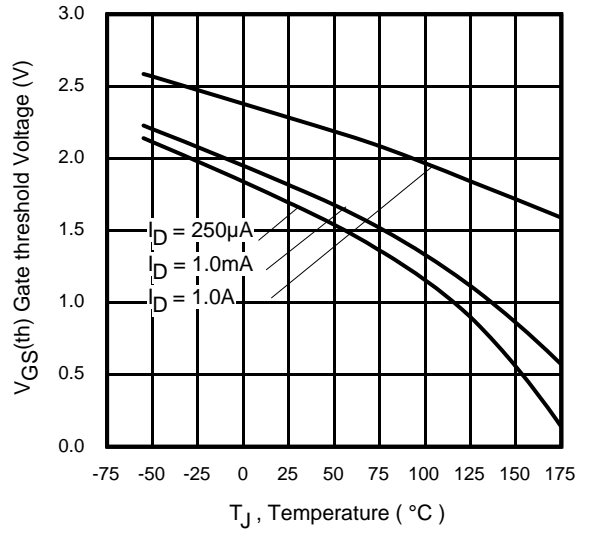


Fig 17. Threshold Voltage vs. Temperature

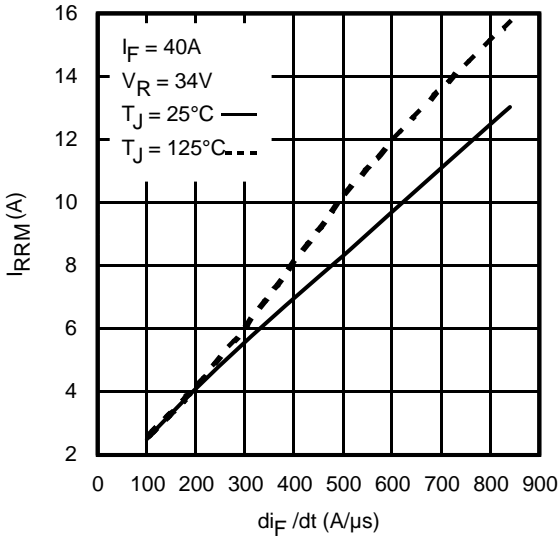


Fig. 18 - Typical Recovery Current vs. di/dt

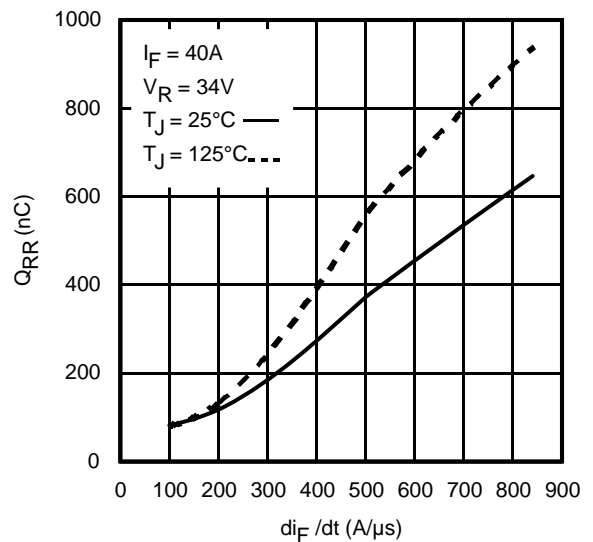


Fig. 19 - Typical Stored Charge vs. di/dt

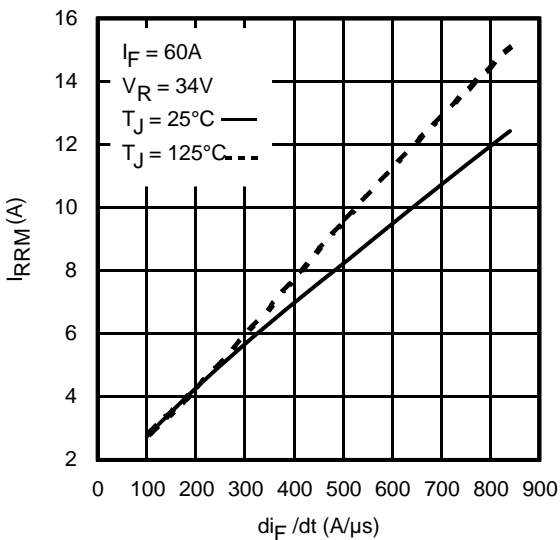


Fig. 20 - Typical Recovery Current vs. di/dt

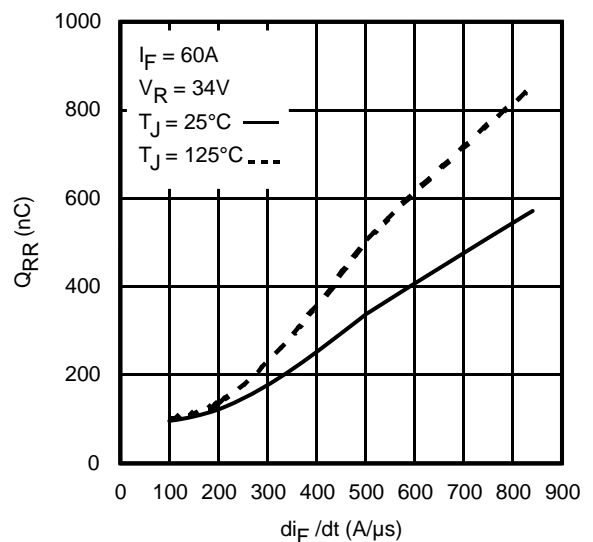
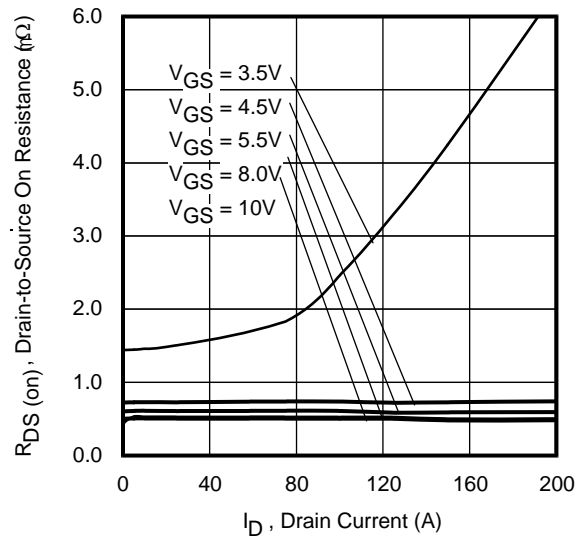
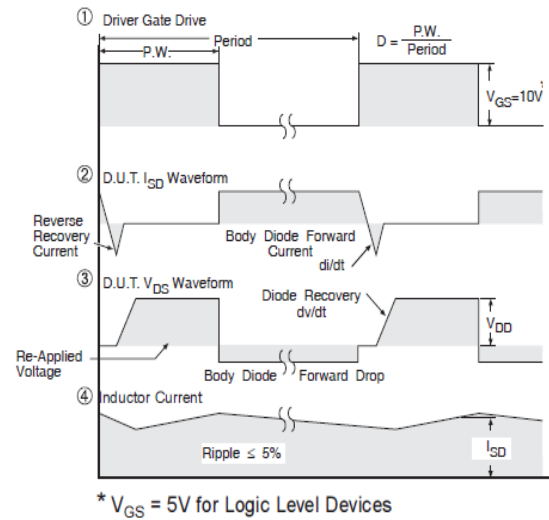
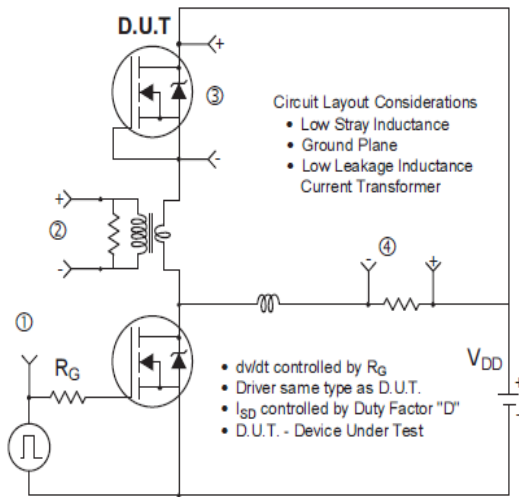
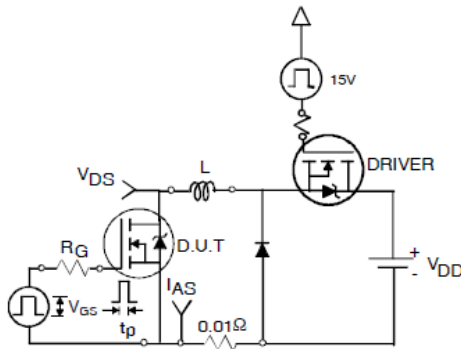
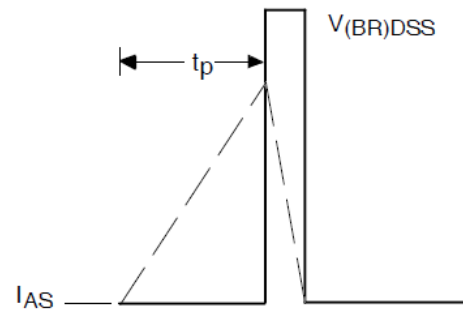
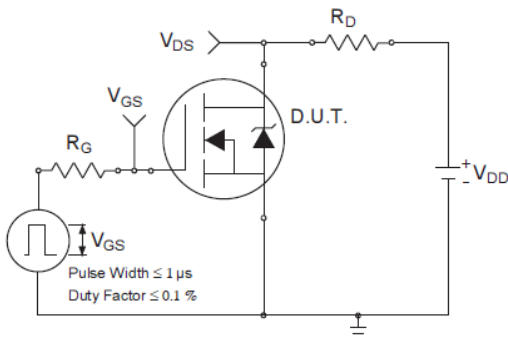
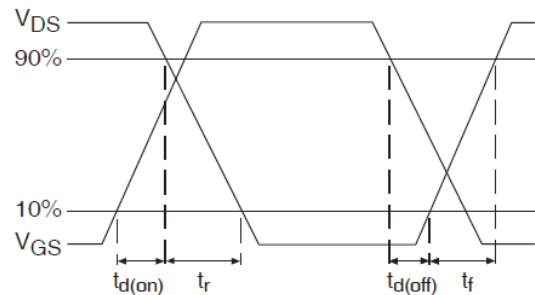
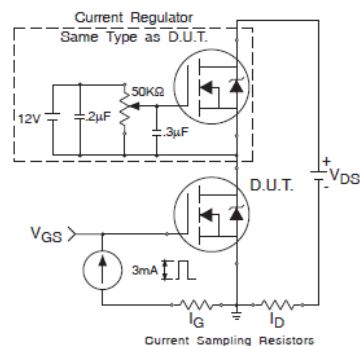
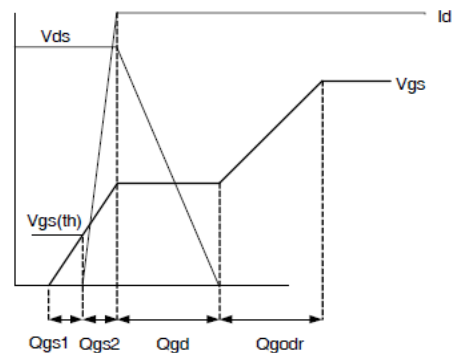


Fig. 21 - Typical Stored Charge vs. di/dt


**Fig 22.** Typical On-Resistance vs. Drain Current

**Notes:**

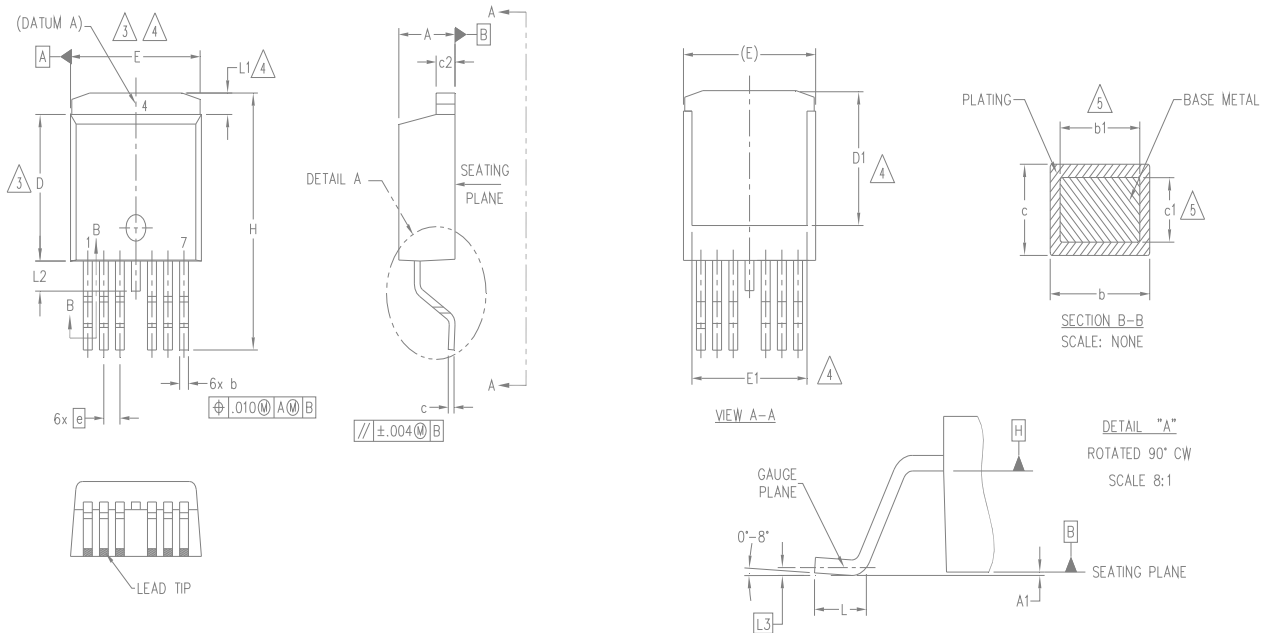
- ① Calculated continuous current based on maximum allowable junction temperature. Bond wire current limit is 240A. Note that current limitations arising from heating of the device leads may occur with some lead mounting arrangements. (Refer to AN-1140)
- ② Repetitive rating; pulse width limited by max. junction temperature.
- ③ Limited by  $T_{Jmax}$ , starting  $T_J = 25^\circ\text{C}$ ,  $L = 0.146\text{mH}$   
 $R_G = 50\Omega$ ,  $I_{AS} = 100\text{A}$ ,  $V_{GS} = 10\text{V}$ .
- ④  $I_{SD} \leq 100\text{A}$ ,  $di/dt \leq 678\text{A}/\mu\text{s}$ ,  $V_{DD} \leq V_{(BR)DSS}$ ,  $T_J \leq 175^\circ\text{C}$ .
- ⑤ Pulse width  $\leq 400\mu\text{s}$ ; duty cycle  $\leq 2\%$ .
- ⑥  $C_{oss}$  eff. (TR) is a fixed capacitance that gives the same charging time as  $C_{oss}$  while  $V_{DS}$  is rising from 0 to 80%  $V_{DSS}$ .
- ⑦  $C_{oss}$  eff. (ER) is a fixed capacitance that gives the same energy as  $C_{oss}$  while  $V_{DS}$  is rising from 0 to 80%  $V_{DSS}$ .
- ⑧ When mounted on 1" square PCB (FR-4 or G-10 Material). For recommended footprint and soldering techniques refer to application note #AN-994.
- ⑨  $R_{\theta}$  is measured at  $T_J$  approximately  $90^\circ\text{C}$ .
- ⑩ Pulse drain current is limited to 1200A by source bonding technology


**Fig 22. Peak Diode Recovery  $dv/dt$  Test Circuit for N-Channel HEXFET® Power MOSFETs**

**Fig 22a. Unclamped Inductive Test Circuit**

**Fig 22b. Unclamped Inductive Waveforms**

**Fig 23a. Switching Time Test Circuit**

**Fig 23b. Switching Time Waveforms**

**Fig 24a. Gate Charge Test Circuit**

**Fig 24b. Gate Charge Waveform**



## D<sup>2</sup>Pak - 7 Pin Package Outline

Dimensions are shown in millimeters (inches)



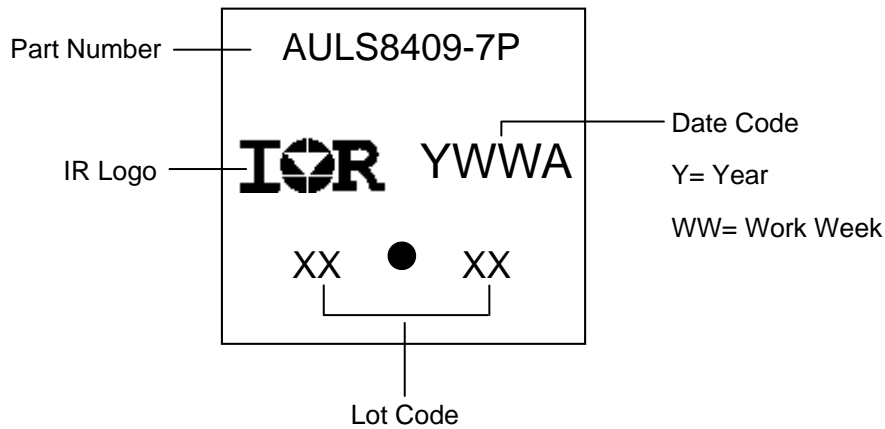
| SYMBOL | DIMENSIONS  |       |          |      | NOTES |
|--------|-------------|-------|----------|------|-------|
|        | MILLIMETERS |       | INCHES   |      |       |
|        | MIN.        | MAX.  | MIN.     | MAX. |       |
| A      | 4.06        | 4.83  | .160     | .190 |       |
| A1     | -           | 0.254 | -        | .010 |       |
| b      | 0.51        | 0.99  | .020     | .036 |       |
| b1     | 0.51        | 0.89  | .020     | .032 | 5     |
| c      | 0.38        | 0.74  | .015     | .029 |       |
| c1     | 0.38        | 0.58  | .015     | .023 | 5     |
| c2     | 1.14        | 1.65  | .045     | .065 |       |
| D      | 8.38        | 9.65  | .330     | .380 | 3     |
| D1     | 6.86        | 7.42  | .270     | .292 | 4     |
| E      | 9.65        | 10.54 | .380     | .415 | 3,4   |
| E1     | 6.22        | 8.48  | .245     | .334 | 4     |
| e      | 1.27 BSC    |       | .050 BSC |      |       |
| H      | 14.61       | 15.88 | .575     | .625 |       |
| L      | 1.78        | 2.79  | .070     | .110 |       |
| L1     | -           | 1.68  | -        | .066 | 4     |
| L2     | -           | 1.78  | -        | .070 |       |
| L3     | 0.25 BSC    |       | .010 BSC |      |       |

NOTES:

1. DIMENSIONING AND TOLERANCING AS PER ASME Y14.5M-1994
2. DIMENSIONS ARE SHOWN IN MILLIMETERS [INCHES].
3. DIMENSION D & E DO NOT INCLUDE MOLD FLASH. MOLD FLASH SHALL NOT EXCEED 0.127 [.005"] PER SIDE. THESE DIMENSIONS ARE MEASURED AT THE OUTMOST EXTREMES OF THE PLASTIC BODY AT DATUM H.
4. THERMAL PAD CONTOUR OPTIONAL WITHIN DIMENSION E, L1, D1 & E1.
5. DIMENSION b1 AND c1 APPLY TO BASE METAL ONLY.
6. DATUM A & B TO BE DETERMINED AT DATUM PLANE H.
7. CONTROLLING DIMENSION: INCH.
8. OUTLINE CONFORMS TO JEDEC OUTLINE TO-263CB. EXCEPT FOR DIMS. E, E1 & D1.

Note: For the most current drawing please refer to IR website at <http://www.irf.com/package/>

**D<sup>2</sup>Pak - 7 Pin Part Marking Information**



**D2Pak - 7 Pin Tape and Reel**

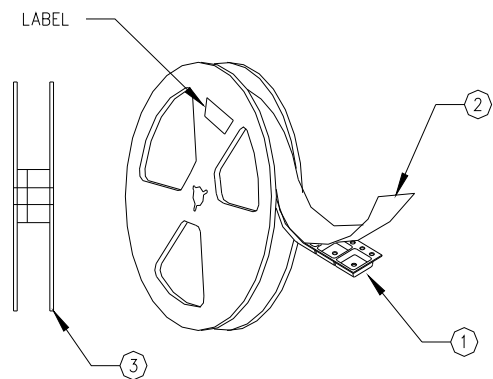
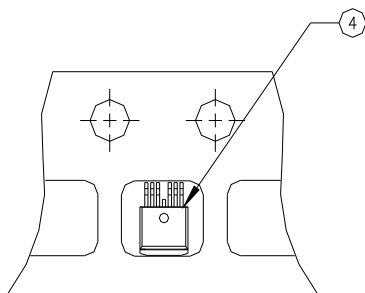
NOTES, TAPE & REEL, LABELLING:

1. TAPE AND REEL.

- 1.1 REEL SIZE 13 INCH DIAMETER.
- 1.2 EACH REEL CONTAINING 800 DEVICES.
- 1.3 THERE SHALL BE A MINIMUM OF 42 SEALED POCKETS CONTAINED IN THE LEADER AND A MINIMUM OF 15 SEALED POCKETS IN THE TRAILER.
- 1.4 PEEL STRENGTH MUST CONFORM TO THE SPEC. NO. 71-9667.
- 1.5 PART ORIENTATION SHALL BE AS SHOWN BELOW.
- 1.6 REEL MAY CONTAIN A MAXIMUM OF TWO UNIQUE LOT CODE/DATE CODE COMBINATIONS. REWORKED REELS MAY CONTAIN A MAXIMUM OF THREE UNIQUE LOT CODE/DATE CODE COMBINATIONS. HOWEVER, THE LOT CODES AND DATE CODES WITH THEIR RESPECTIVE QUANTITIES SHALL APPEAR ON THE BAR CODE LABEL FOR THE AFFECTED REEL.

2. LABELLING (REEL AND SHIPPING BAG).

- 2.1 CUST. PART NUMBER (BAR CODE): IRFXXXXSTRL-7P
- 2.2 CUST. PART NUMBER (TEXT CODE): IRFXXXXSTRL-7P
- 2.3 I.R. PART NUMBER: IRFXXXXSTRL-7P
- 2.4 QUANTITY:
- 2.5 VENDOR CODE: IR
- 2.6 LOT CODE:
- 2.7 DATE CODE:



Note: For the most current drawing please refer to IR website at <http://www.irf.com/package/>

**Qualification Information<sup>†</sup>**

|                            |                      |                                                                                                                                                                         |      |
|----------------------------|----------------------|-------------------------------------------------------------------------------------------------------------------------------------------------------------------------|------|
| <b>Qualification Level</b> |                      | Automotive<br>(per AEC-Q101)                                                                                                                                            |      |
|                            |                      | Comments: This part number(s) passed Automotive qualification. IR's Industrial and Consumer qualification level is granted by extension of the higher Automotive level. |      |
|                            |                      | D <sup>2</sup> PAK 7 Pin                                                                                                                                                | MSL1 |
| <b>ESD</b>                 | Human Body Model     | Class H3A ( ± 8000V) <sup>†</sup><br>AEC-Q101-001                                                                                                                       |      |
|                            | Charged Device Model | Class C5 ( ± 2000V) <sup>†</sup><br>AEC-Q101-005                                                                                                                        |      |
| <b>RoHS Compliant</b>      |                      | Yes                                                                                                                                                                     |      |

† Qualification standards can be found at International Rectifier's web site: <http://www.irf.com/>

**Published by**
**Infineon Technologies AG**
**81726 München, Germany**
**© Infineon Technologies AG 2015**
**All Rights Reserved.**
**IMPORTANT NOTICE**

The information given in this document shall in no event be regarded as a guarantee of conditions or characteristics ("Beschaffheitsgarantie"). With respect to any examples, hints or any typical values stated herein and/or any information regarding the application of the product, Infineon Technologies hereby disclaims any and all warranties and liabilities of any kind, including without limitation warranties of non-infringement of intellectual property rights of any third party.

In addition, any information given in this document is subject to customer's compliance with its obligations stated in this document and any applicable legal requirements, norms and standards concerning customer's products and any use of the product of Infineon Technologies in customer's applications.

The data contained in this document is exclusively intended for technically trained staff. It is the responsibility of customer's technical departments to evaluate the suitability of the product for the intended application and the completeness of the product information given in this document with respect to such application.

For further information on the product, technology, delivery terms and conditions and prices please contact your nearest Infineon Technologies office ([www.infineon.com](http://www.infineon.com)).

**WARNINGS**

Due to technical requirements products may contain dangerous substances. For information on the types in question please contact your nearest Infineon Technologies office.

Except as otherwise explicitly approved by Infineon Technologies in a written document signed by authorized representatives of Infineon Technologies, Infineon Technologies' products may not be used in any applications where a failure of the product or any consequences of the use thereof can reasonably be expected to result in personal injury.

## X-ON Electronics

Largest Supplier of Electrical and Electronic Components

*Click to view similar products for [MOSFET](#) category:*

*Click to view products by [Infineon](#) manufacturer:*

Other Similar products are found below :

[614233C](#) [648584F](#) [IRFD120](#) [JANTX2N5237](#) [FCA20N60\\_F109](#) [FDZ595PZ](#) [2SK2545\(Q,T\)](#) [405094E](#) [423220D](#) [TPCC8103,L1Q\(CM](#)  
[MIC4420CM-TR](#) [VN1206L](#) [SBVS138LT1G](#) [614234A](#) [715780A](#) [NTNS3166NZT5G](#) [SSM6J414TU,LF\(T](#) [751625C](#) [BUK954R8-60E](#)  
[NTE6400](#) [SQJ402EP-T1-GE3](#) [2SK2614\(TE16L1,Q\)](#) [2N7002KW-FAI](#) [DMN1017UCP3-7](#) [EFC2J004NUZTDG](#) [ECH8691-TL-W](#)  
[FCAB21350L1](#) [P85W28HP2F-7071](#) [DMN1053UCP4-7](#) [NTE221](#) [NTE222](#) [NTE2384](#) [NTE2903](#) [NTE2941](#) [NTE2945](#) [NTE2946](#) [NTE2960](#)  
[NTE2967](#) [NTE2969](#) [NTE2976](#) [NTE455](#) [NTE6400A](#) [NTE2910](#) [NTE2916](#) [NTE2956](#) [NTE2911](#) [DMN2080UCB4-7](#) [TK10A80W,S4X\(S](#)  
[SSM6P69NU,LF](#) [DMP22D4UFO-7B](#)