

Infineon Bridge Rectifier



ENERGY EFFICIENT circuit design could have these days crucial significance for the success of a product.

Since decades bridge rectifier is the state of the art for circuit for all DC Power supply. A bridge rectifier makes use of four diodes in a bridge arrangement to achieve full-wave rectification. The energy efficiency of a rectifier is determined by the forward voltage drop and the switching speed of the diodes.

Rectifiers build by Schottky have such a very low forward voltage drop and switching speeds that approach zero time. This makes them ideal for energy efficient output stages of switching power supplies.

The full bridge rectifier is coming in the tiny SOT143 .

Key Features:

- Schottky Diode rectifier with fast switching speed and low voltage drop for high energy efficiency rectifiers
- Very small systems
- Full bridge and Half bridge combinations available
- Suitable also for advanced reverse polarity protection

Target Applications:

- Rectifier for LED illumination
- Energy saving Lamps
- Mobil Battery charger (Mobil-Phones, Digital-Cameras, PDAs)
- Toys

Type	Product	Package	Configuration	VR (V) max	VRrms (V) max	IF (mA) max
Schottky bridge rectifier	BAS3007A-RPP	SOT143	Full Bridge	30	21	900
	BAS4002A-RPP	SOT143	Full Bridge	40	28	200
	BAT240A	SOT23	Half Bridge	240	170	400
PN diode bridge rectifier	BGX50A	SOT143	Full Bridge	70	50	140

www.infineon.com/schottkydiodes

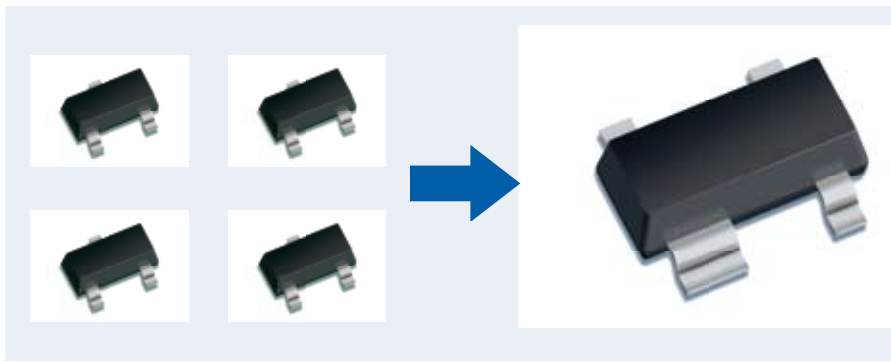
Small Signal Discretes



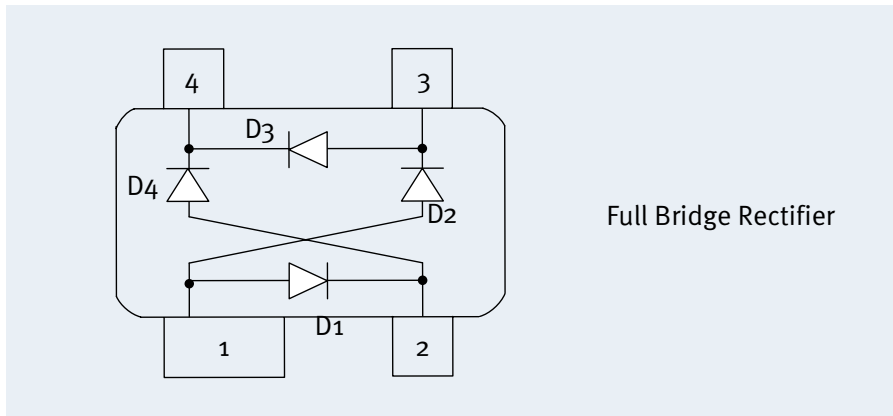
Never stop thinking

Product Brief

Save space by replacing four diodes by a single pack full bridge rectifier

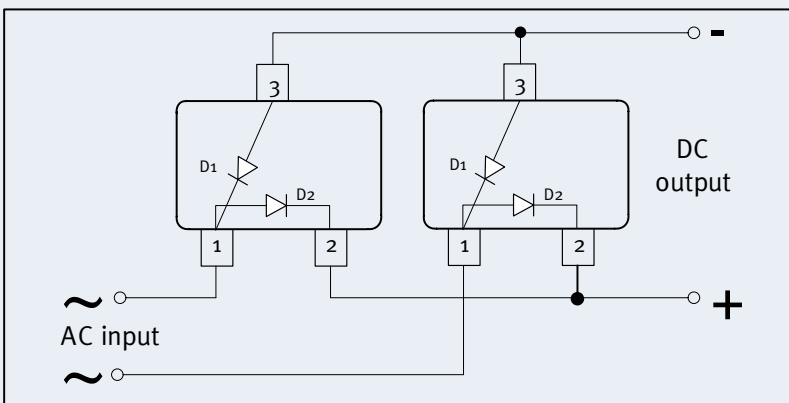


PIN Configuration in SOT143



Application Example BAT24DA

Application example BAT 240A
Energy efficient bridge rectification for 110V / 60Hz power lines



How to reach us:
<http://www.infineon.com>

Published by
Infineon Technologies AG
81726 Munich, Germany

© 2008 Infineon Technologies AG
All Rights Reserved.

Legal Disclaimer

The information given in this Product Brief shall in no event be regarded as a guarantee of conditions or characteristics. With respect to any examples or hints given herein, any typical values stated herein and/or any information regarding the application of the device, Infineon Technologies hereby disclaims any and all warranties and liabilities of any kind, including without limitation, warranties of non-infringement of intellectual property rights of any third party.

Information

For further information on technology, delivery terms and conditions and prices, please contact the nearest Infineon Technologies Office (www.infineon.com).

Warnings

Due to technical requirements, components may contain dangerous substances. For information on the types in question, please contact the nearest Infineon Technologies Office.

Infineon Technologies components may be used in life-support devices or systems only with the express written approval of Infineon Technologies, if a failure of such components can reasonably be expected to cause the failure of that life-support device or system or to affect the safety or effectiveness of that device or system. Life support devices or systems are intended to be implanted in the human body or to support and/or maintain and sustain and/or protect human life. If they fail, it is reasonable to assume that the health of the user or other persons may be endangered.

X-ON Electronics

Largest Supplier of Electrical and Electronic Components

Click to view similar products for [Schottky Diodes & Rectifiers](#) category:

Click to view products by [Infineon](#) manufacturer:

Other Similar products are found below :

[MA4E2039](#) [D1FH3-5063](#) [MBR10100CT-BP](#) [MBR1545CT](#) [MMBD301M3T5G](#) [RB160M-50TR](#) [RB551V-30](#) [BAS16E6433HTMA1](#) [BAT](#)
[54-02LRH E6327](#) [NSR05F40QNXT5G](#) [NTE555](#) [JANS1N6640](#) [SB07-03C-TB-H](#) [SB1003M3-TL-W](#) [SK310-T](#) [SK32A-LTP](#) [SK34B-TP](#)
[SS3003CH-TL-E](#) [GA01SHT18](#) [CRS10I30A\(TE85L,QM](#) [MA4E2501L-1290](#) [MBRB30H30CT-1G](#) [SB007-03C-TB-E](#) [SK32A-TP](#) [SK33B-TP](#)
[SK38B-TP](#) [NRVBM120LT1G](#) [NTE505](#) [NTSB30U100CT-1G](#) [SS15E-TP](#) [VS-6CWQ10FNHM3](#) [ACDBA1100LR-HF](#) [ACDBA1200-HF](#)
[ACDBA140-HF](#) [ACDBA2100-HF](#) [ACDBA3100-HF](#) [CDBQC0530L-HF](#) [ACDBA340-HF](#) [ACDBA260LR-HF](#) [ACDBA1100-HF](#) [SK310B-TP](#)
[MA4E2502L-1246](#) [MA4E2502H-1246](#) [NRVBM120ET1G](#) [NSR01L30MXT5G](#) [NTE573](#) [NTE6081](#) [SB560](#) [PMAD1108-LF](#) [SD103ATW-TP](#)