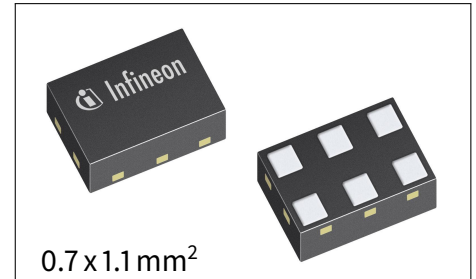


# BGS12WN6

## Wideband SPDT Diversity Switch with High Switching Speed

### Features

- High switching speed
- High linearity up to 26 dBm input power
- Low insertion loss and high port to port isolation up to 6 GHz
- Low current consumption
- On-chip control logic
- Ultra low profile lead-less plastic package
- RoHS and WEEE compliant package



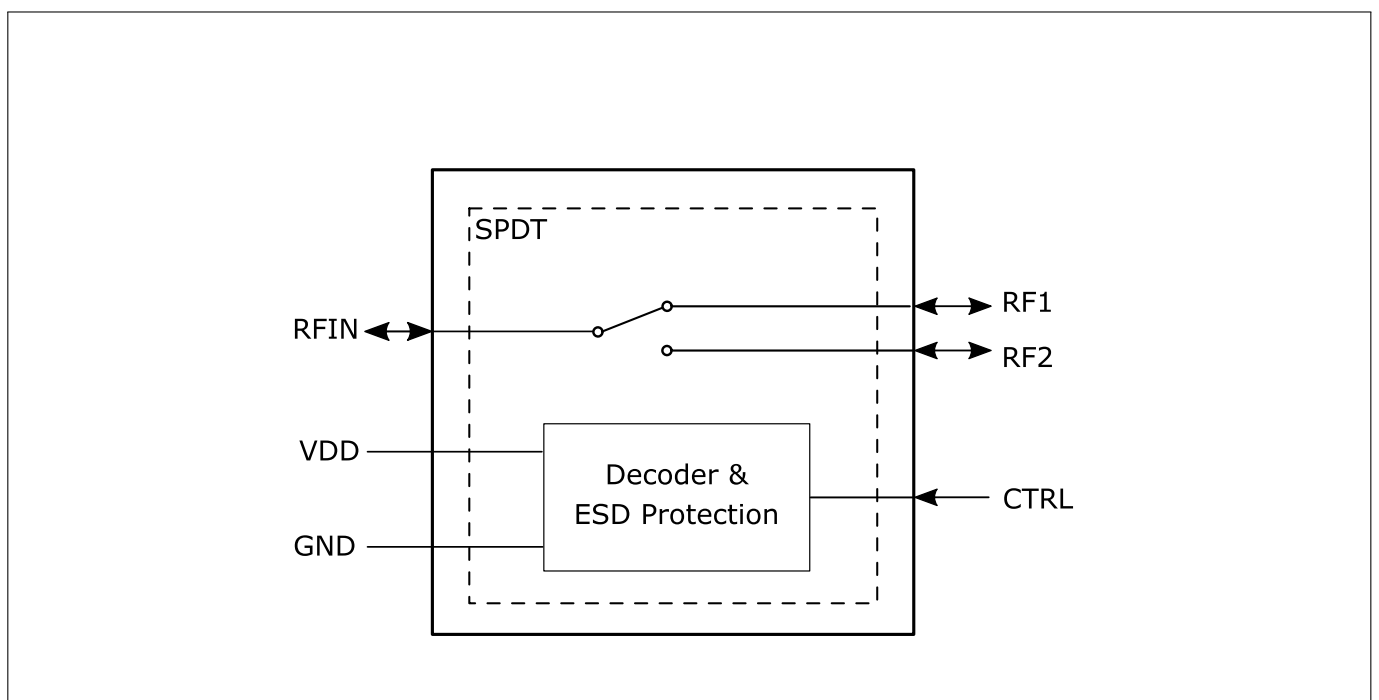
### Potential Applications

The BGS12WN6 RF switch is specifically designed for WLAN and Bluetooth applications. Any of the 2 ports can be used as termination of the diversity antenna handling up to 26 dBm.

### Product Validation

Qualified for industrial applications according to the relevant tests of JEDEC47/20/22.

### Block diagram



# BGS12WN6

## Wideband SPDT Diversity Switch with High Switching Speed

---

### Table of Contents

## Table of Contents

<b>1</b>	<b>Features</b>	<b>2</b>
<b>2</b>	<b>Maximum Ratings</b>	<b>3</b>
<b>3</b>	<b>Operation Ranges</b>	<b>4</b>
<b>4</b>	<b>RF Characteristics</b>	<b>5</b>
<b>5</b>	<b>Application Information</b>	<b>9</b>
<b>6</b>	<b>Package Information</b>	<b>10</b>

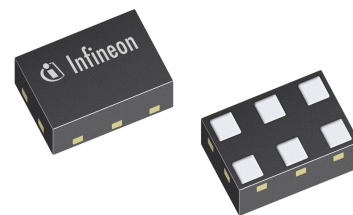
# BGS12WN6

## Wideband SPDT Diversity Switch with High Switching Speed

### Features

## 1 Features

- RF CMOS SPDT antenna diversity switch with power handling capability of up to 26 dBm
- High switching speed
- Suitable for WLAN and Bluetooth applications
- Low insertion loss and harmonics generation
- 0.05 to 6 GHz coverage
- High port to port isolation
- No blocking capacitors required if no DC applied on RF lines
- On-chip control logic
- Leadless and halogen free packages PG-TSNP-6-10/-8/-2 with lateral size of  $0.7 \times 1.1 \text{ mm}^2$  and maximum height of 0.375 mm
- No power supply decoupling capacitor required
- High EMI robustness
- RoHS and WEEE compliant package



## Description

The BGS12WN6 RF CMOS switch is specifically designed for WLAN and Bluetooth applications. Any of the 2 ports can be used as termination of the diversity antenna handling up to 26 dBm. The chip integrates on-chip CMOS logic driven by a simple, single-pin CMOS or TTL compatible control input signal. Unlike GaAs technology, external DC blocking capacitors at the RF ports are only required if DC voltage is applied externally. The BGS12WN6 RF switch is manufactured in Infineon's patented MOS technology, offering the performance of GaAs with the economy and integration of conventional CMOS including the inherent higher ESD robustness. The device has a very small size of only  $0.7 \times 1.1 \text{ mm}^2$  and a maximum height of 0.375 mm.

Type	Marking	Package	Ordering Information
BGS12WN6	K	PG-TSNP-6-10 PG-TSNP-6-8 PG-TSNP-6-2	BGS 12WN6 E6327 BGS 12WN6 E6329 BGS 12WN6 E6329

# BGS12WN6

## Wideband SPDT Diversity Switch with High Switching Speed

### Maximum Ratings

## 2 Maximum Ratings

**Table 1: Maximum Ratings** at  $T_A = 25\text{ °C}$ , unless otherwise specified

Parameter	Symbol	Values			Unit	Note / Test Condition
		Min.	Typ.	Max.		
Frequency Range <sup>1)</sup>	$f$	0.05	–	6	GHz	–
Supply voltage	$V_{DD}$	0	–	4.2	V	–
Storage temperature range	$T_{STG}$	-55	–	150	°C	–
RF input power at all RF ports	$P_{RF,max}$	–	–	28	dBm	CW / VSWR 1:1 / $50\ \Omega$
ESD capability, CDM <sup>2)</sup>	$V_{ESD,CDM}$	-1	–	+1	kV	–
ESD capability, HBM <sup>3)</sup>	$V_{ESD,HBM}$	-1	–	+1	kV	–
ESD capability RF ports <sup>4)</sup>	$V_{ESD,RF}$	-8	–	+8	kV	Each single RF-in/out port versus GND, with 27 nH shunt inductor
		-6	–	+6	kV	Each single RF-in/out port versus GND, with 56 nH shunt inductor
Junction temperature	$T_j$	–	–	125	°C	–
Thermal resistance junction - soldering point	$R_{thJS}$	–	–	70	K/W	–
Maximum DC-voltage on RF ports and RF-Ground	$V_{RFDC}$	0	–	0	V	No DC voltages allowed on RF-Ports

<sup>1)</sup> There is also a DC connection between switched paths. The DC voltage at RF ports  $V_{RFDC}$  has to be 0 V.

<sup>2)</sup> Field-Induced Charged-Device Model ANSI/ESDA/JEDEC JS-002. Simulates charging/discharging events that occur in production equipment and processes. Potential for CDM ESD events occurs whenever there is metal-to-metal contact in manufacturing.

<sup>3)</sup> Human Body Model ANSI/ESDA/JEDEC JS-001 ( $R = 1.5\text{ k}\Omega$ ,  $C = 100\text{ pF}$ ).

<sup>4)</sup> IEC 61000-4-2 ( $R = 330\ \Omega$ ,  $C = 150\text{ pF}$ ), contact discharge.

**Attention:** Stresses above the max. values listed here may cause permanent damage to the device. Maximum ratings are absolute ratings; exceeding only one of these values may cause irreversible damage to the integrated circuit. Exposure to conditions at or below absolute maximum rating but above the specified maximum operation conditions may affect device reliability and life time. Functionality of the device might not be given under these conditions.

# BGS12WN6

## Wideband SPDT Diversity Switch with High Switching Speed

### Operation Ranges

### 3 Operation Ranges

**Table 2: Operation Ranges**, at  $T_A = -40\text{ }^{\circ}\text{C} \dots 85\text{ }^{\circ}\text{C}$ ,  $V_{DD} = 1.65\text{ V} \dots 3.6\text{ V}$

Parameter	Symbol	Values			Unit	Note / Test Condition
		Min.	Typ.	Max.		
Ambient temperature	$T_A$	-40	25	85	$^{\circ}\text{C}$	–
Supply voltage	$V_{DD}$	1.65	1.8	3.6	V	–
Control voltage Low	$V_{Ctrl,L}$	-0.3	–	0.45	V	–
Control voltage High	$V_{Ctrl,H}$	1.35	–	$V_{DD}$	V	–
Supply current	$I_{DD}$	–	63	120	$\mu\text{A}$	Operating State
Control current	$I_{Ctrl}$	–	2	10	nA	–

**Table 3: RF Input Power**

Parameter	Symbol	Values			Unit	Note / Test Condition
		Min.	Typ.	Max.		
RF input power at all RF ports	$P_{RF}$	–	–	26	dBm	CW / VSWR 1:1 / $50\ \Omega$

**RF Characteristics**

**4 RF Characteristics**

**Table 4: RF Characteristics** at  $T_A = 25\text{ }^\circ\text{C}$ ,  $P_{RF} = 0\text{ dBm}$ ,  $V_{DD} = 1.8\text{ V}$

Insertion Loss <sup>1)</sup>						
All RF Ports	<i>IL</i>	–	0.15	0.20	dB	50–698 MHz
		–	0.16	0.21	dB	699–960 MHz
		–	0.19	0.26	dB	1200–2170 MHz
		–	0.22	0.29	dB	2170–2690 MHz
		–	0.30	0.42	dB	3300–4200 MHz
		–	0.38	0.52	dB	4400–5000 MHz
		–	0.46	0.68	dB	5150–5925 MHz

<sup>1)</sup>Measured on prober station to exclude board effects, without any matching components.

**Table 5: RF Characteristics** at  $T_A = -40\text{ }^\circ\text{C} \dots 85\text{ }^\circ\text{C}$ ,  $P_{RF} = 0\text{ dBm}$ ,  $V_{DD} = 1.65\text{ V} \dots 3.6\text{ V}$ , unless otherwise specified

Parameter	Symbol	Values			Unit	Note / Test Condition
		Min.	Typ.	Max.		
<b>Insertion Loss<sup>1)</sup></b>						
All RF Ports	<i>IL</i>	–	0.15	0.25	dB	50–698 MHz
		–	0.16	0.25	dB	699–960 MHz
		–	0.19	0.31	dB	1200–2170 MHz
		–	0.22	0.34	dB	2170–2690 MHz
		–	0.30	0.48	dB	3300–4200 MHz
		–	0.38	0.58	dB	4400–5000 MHz
		–	0.46	0.75	dB	5150–5925 MHz
<b>Return Loss<sup>1)</sup></b>						
All RF Ports	<i>RL</i>	28	33	–	dB	50–698 MHz
		26	29	–	dB	699–960 MHz
		20	23	–	dB	1200–2170 MHz
		18	20	–	dB	2170–2690 MHz
		14	16	–	dB	3300–4200 MHz
		13	14	–	dB	4400–5000 MHz
		11	13	–	dB	5150–5925 MHz

<sup>1)</sup>Measured on prober station to exclude board effects, without any matching components.

## RF Characteristics

Table 6: RF Characteristics at  $T_A = -40\text{ }^{\circ}\text{C} \dots 85\text{ }^{\circ}\text{C}$ ,  $P_{RF} = 0\text{ dBm}$ ,  $V_{DD} = 1.65\text{ V} \dots 3.6\text{ V}$ , unless otherwise specified

Parameter	Symbol	Values			Unit	Note / Test Condition
		Min.	Typ.	Max.		
<b>Isolation<sup>1)</sup></b>						
RFIN to RF1 Port	$ISO_{RFIN-RF1}$	43	53	-	dB	50–698 MHz
		40	46	-	dB	699–960 MHz
		33	39	-	dB	1200–2170 MHz
		31	37	-	dB	2170–2690 MHz
		26	33	-	dB	3300–4200 MHz
		24	30	-	dB	4400–5000 MHz
		21	28	-	dB	5150–5925 MHz
RFIN to RF2 Port	$ISO_{RFIN-RF2}$	43	52	-	dB	50–698 MHz
		40	45	-	dB	699–960 MHz
		33	39	-	dB	1200–2170 MHz
		31	36	-	dB	2170–2690 MHz
		26	31	-	dB	3300–4200 MHz
		24	29	-	dB	4400–5000 MHz
		21	26	-	dB	5150–5925 MHz
RF1 to RF2 Port / RF2 to RF1 Port	$ISO_{Port-Port}$	53	63	-	dB	50–698 MHz
		50	56	-	dB	699–960 MHz
		41	49	-	dB	1200–2170 MHz
		39	45	-	dB	2170–2690 MHz
		34	40	-	dB	3300–4200 MHz
		30	36	-	dB	4400–5000 MHz
		25	33	-	dB	5150–5925 MHz
<b>Harmonic Generation on all RF Ports<sup>1)</sup></b> at $P_{RF} = 26\text{ dBm}$ , CW-mode, $50\text{ }\Omega$						
2 <sup>nd</sup> Harmonic	$P_{H2}$	-	-74	-65	dBm	600–915 MHz
		-	-76	-67	dBm	1447–1980 MHz
		-	-83	-60	dBm	2300–2690 MHz
3 <sup>rd</sup> Harmonic	$P_{H3}$	-	-68	-60	dBm	600–915 MHz
		-	-68	-60	dBm	1447–1980 MHz
		-	-64	-60	dBm	2300–2690 MHz
<b>Intermodulation Distortion<sup>1)</sup></b>						
IMD2	$IMD2$	-	-112	-103	dBm	Testcases see Table 7
IMD3	$IMD3$	-	-116	-109	dBm	Testcases see Table 8
<b>Intercept Point<sup>1)</sup></b>						
IIP2	$IIP2$	108	117	-	dBm	Testcases see Table 7
IIP3	$IIP3$	67	70	-	dBm	Testcases see Table 8

<sup>1)</sup> Measured on Application board, without any matching components.

### RF Characteristics

**Table 7: IMD2 Testcases**

Band	Symbol	In-Band Frequency (MHz)	Blocker Frequency 1 (MHz)	Blocker Power 1 (dBm)	Blocker Frequency 2 (MHz)	Blocker Power 2 (dBm)
Band 1	$B1_{\text{IMD2,high}}$	2140	1950	20	4090	-15
	$B1_{\text{IMD2,low}}$	2140	1950	20	190	-15
Band 4	$B4_{\text{IMD2,high}}$	2132	1732	20	3864	-15
	$B4_{\text{IMD2,low}}$	2132	1732	20	400	-15
Band 5	$B5_{\text{IMD2,high}}$	881.5	836.5	20	1718	-15
	$B5_{\text{IMD2,low}}$	881.5	836.5	20	45	-15
Band 7	$B7_{\text{IMD2,high}}$	2655	2535	20	5190	-15
	$B7_{\text{IMD2,low}}$	2655	2535	20	120	-15

**Table 8: IMD3 Testcases**

Band	Symbol	In-Band Frequency (MHz)	Blocker Frequency 1 (MHz)	Blocker Power 1 (dBm)	Blocker Frequency 2 (MHz)	Blocker Power 2 (dBm)
Band 1	$B1_{\text{IMD3,high}}$	2140	1950	20	6040	-15
	$B1_{\text{IMD3,mid}}$	2140	1950	20	1760	-15
Band 4	$B4_{\text{IMD3,high}}$	2132	1732	20	5596	-15
	$B4_{\text{IMD3,mid}}$	2132	1732	20	1332	-15
Band 5	$B5_{\text{IMD3,high}}$	881.5	836.5	20	2554.5	-15
	$B5_{\text{IMD3,mid}}$	881.5	836.5	20	791.5	-15
Band 7	$B7_{\text{IMD3,high}}$	2655	2535	20	7725	-15
	$B7_{\text{IMD3,mid}}$	2655	2535	20	2415	-15



# BGS12WN6

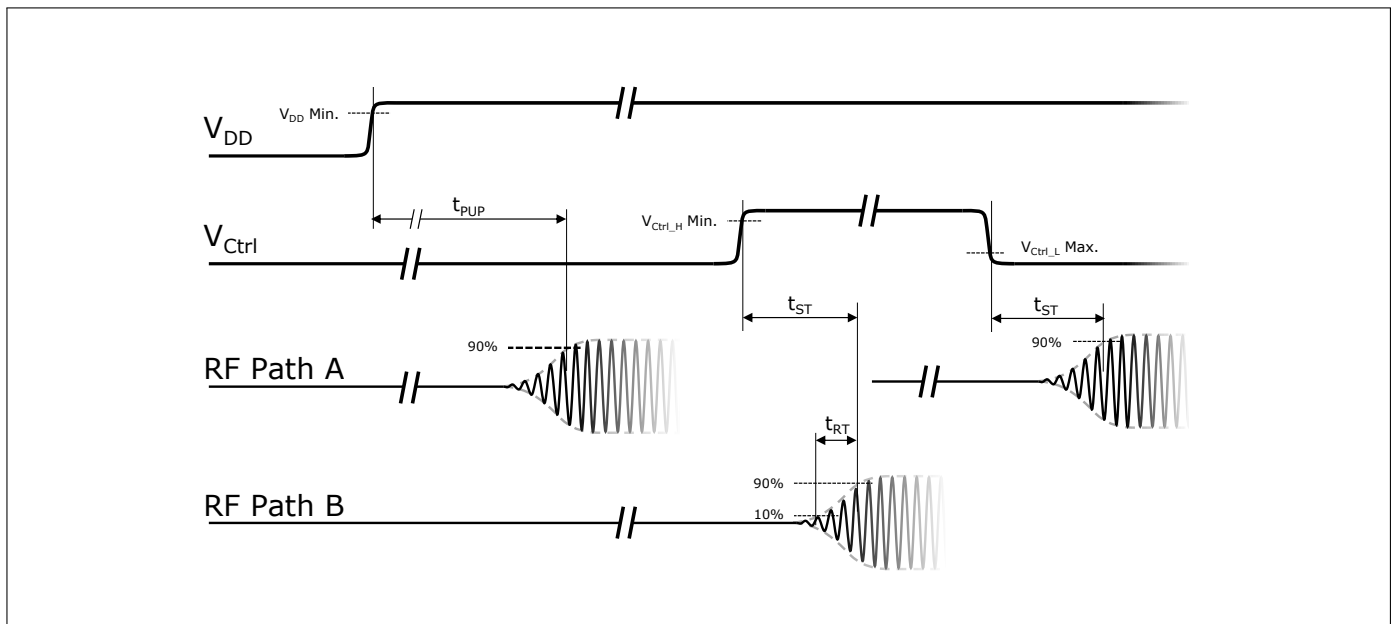
## Wideband SPDT Diversity Switch with High Switching Speed

### RF Characteristics

**Table 9: Switching Time** at  $T_A = -40\text{ }^{\circ}\text{C} \dots 85\text{ }^{\circ}\text{C}$ ,  $P_{RF} = 0\text{ dBm}$ ,  $V_{DD} = 1.65\text{ V} \dots 3.6\text{ V}$ , unless otherwise specified

Parameter	Symbol	Values			Unit	Note / Test Condition
		Min.	Typ.	Max.		
<b>Switching Time<sup>1)</sup></b>						
Switching Time	$t_{ST}$	–	160	220	ns	Time between RF states in active mode $V_{Ctrl,H}$ Min. or $V_{Ctrl,L}$ Max. level to 90% RF-signal
RF Rise Time	$t_{RT}$	–	35	80	ns	Time between 10% to 90% RF Signal
Power Up Settling Time	$t_{PUP}$	–	5.8	7	$\mu\text{s}$	Time from $V_{DD}$ Min. power level to 90% RF-signal

<sup>1)</sup> Measured on Application board, without any matching components.



**Figure 1: CTRL to RF Time**

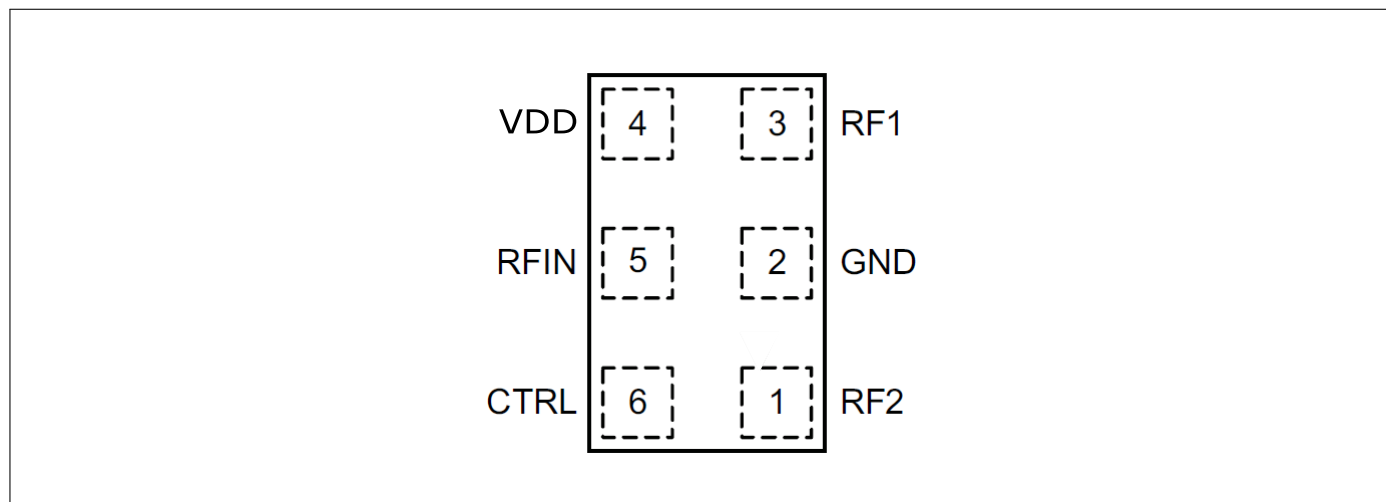
# BGS12WN6

## Wideband SPDT Diversity Switch with High Switching Speed

### Application Information

## 5 Application Information

### Pin Configuration and Function



**Figure 2:** BGS12WN6 Pin Configuration (Top View)

**Table 10: Pin Definition and Function**

Pin No.	Name	Function
1	RF2	RF port 2
2	GND	Ground
3	RF1	RF port 1
4	VDD	Supply voltage
5	RFIN	RF port In
6	CTRL	Control pin

**Table 11: Truth Table Switch Control**

Switched Paths	CTRL
RFIN - RF1	0
RFIN - RF2	1

# BGS12WN6

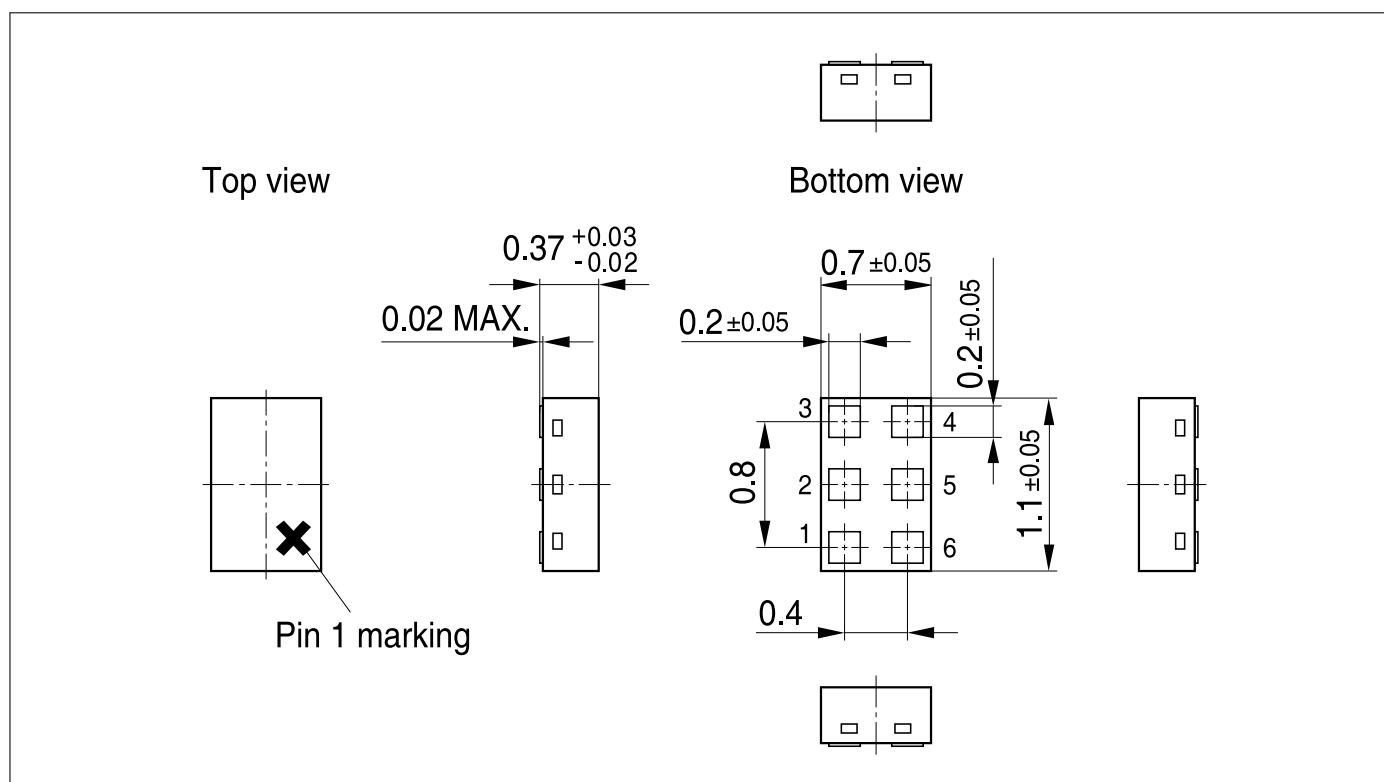
## Wideband SPDT Diversity Switch with High Switching Speed

### Package Information

## 6 Package Information

**Table 12: Mechanical Data**

Parameter	Symbol	Value	Unit
X-Dimension	<i>X</i>	$0.7 \pm 0.05$	mm
Y-Dimension	<i>Y</i>	$1.1 \pm 0.05$	mm
Size	<i>Size</i>	0.77	mm <sup>2</sup>
Height PG-TSNP-6-10	<i>H</i>	$0.37 +0.03 / - 0.02$	mm
Height PG-TSNP-6-8	<i>H</i>	$0.375 \pm 0.025$	mm
Height PG-TSNP-6-2	<i>H</i>	$0.375 +0.025 / - 0.015$	mm

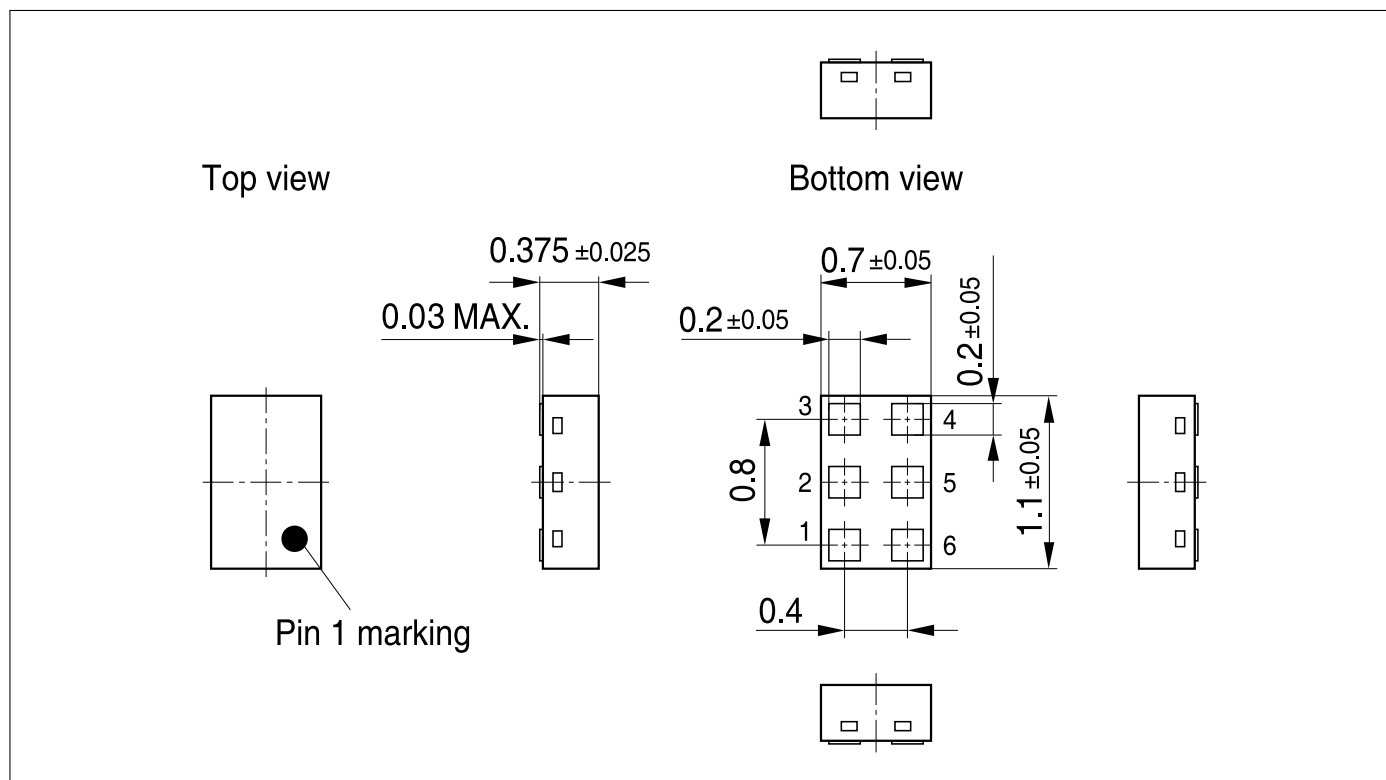


**Figure 3:** PG-TSNP-6-10 Package Outline (Top, Side and Bottom Views)

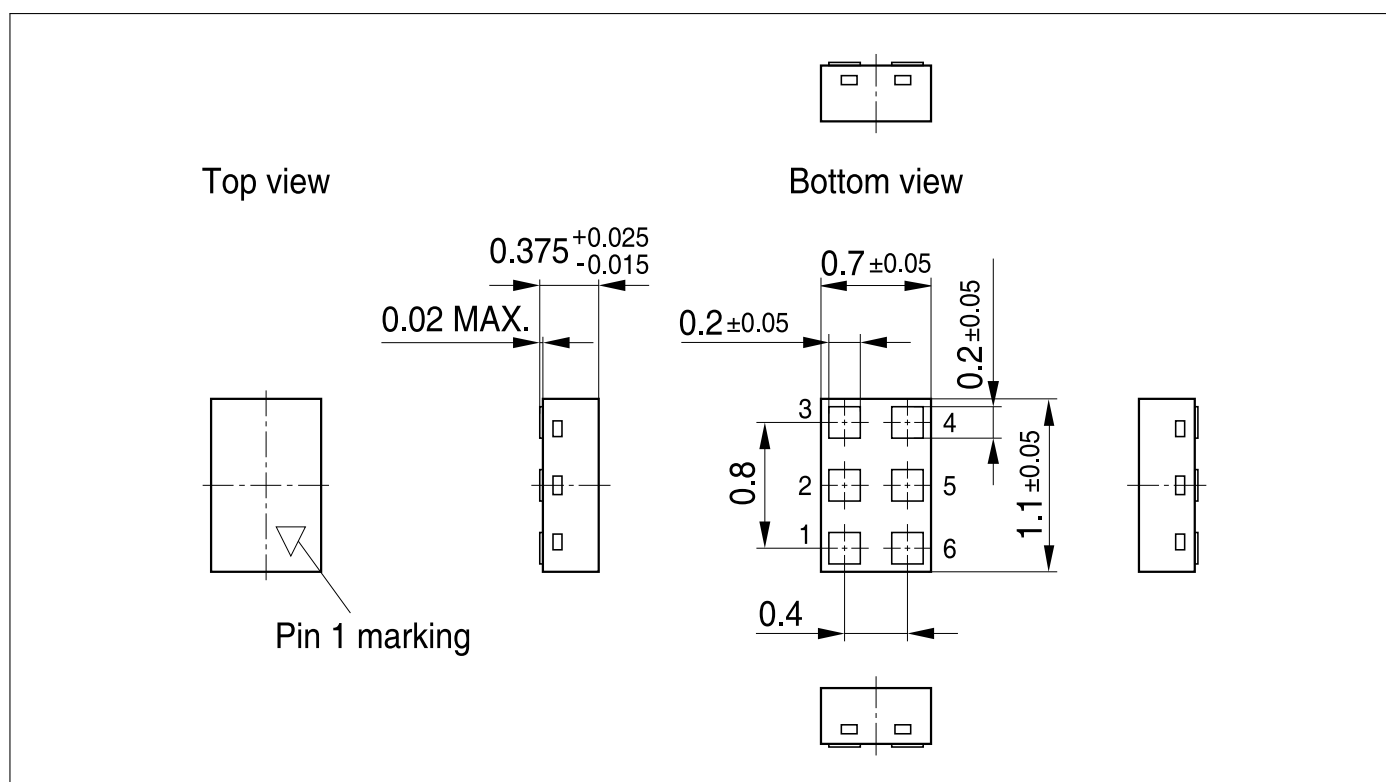
# BGS12WN6

## Wideband SPDT Diversity Switch with High Switching Speed

### Package Information



**Figure 4:** PG-TSNP-6-8 Package Outline (Top, Side and Bottom Views)

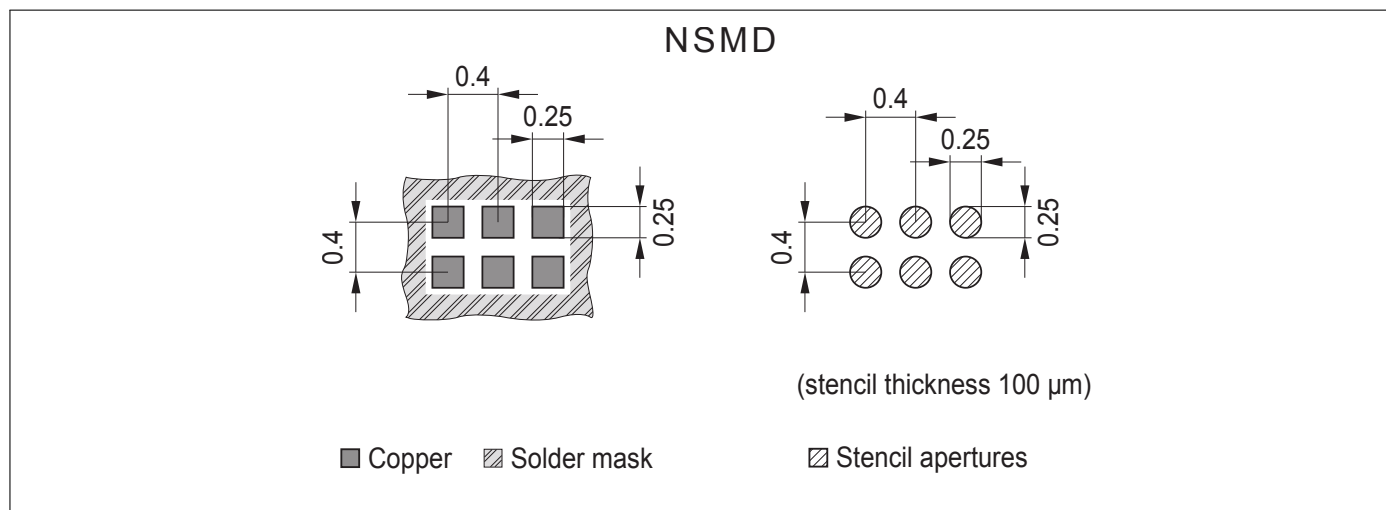


**Figure 5:** PG-TSNP-6-2 Package Outline (Top, Side and Bottom Views)

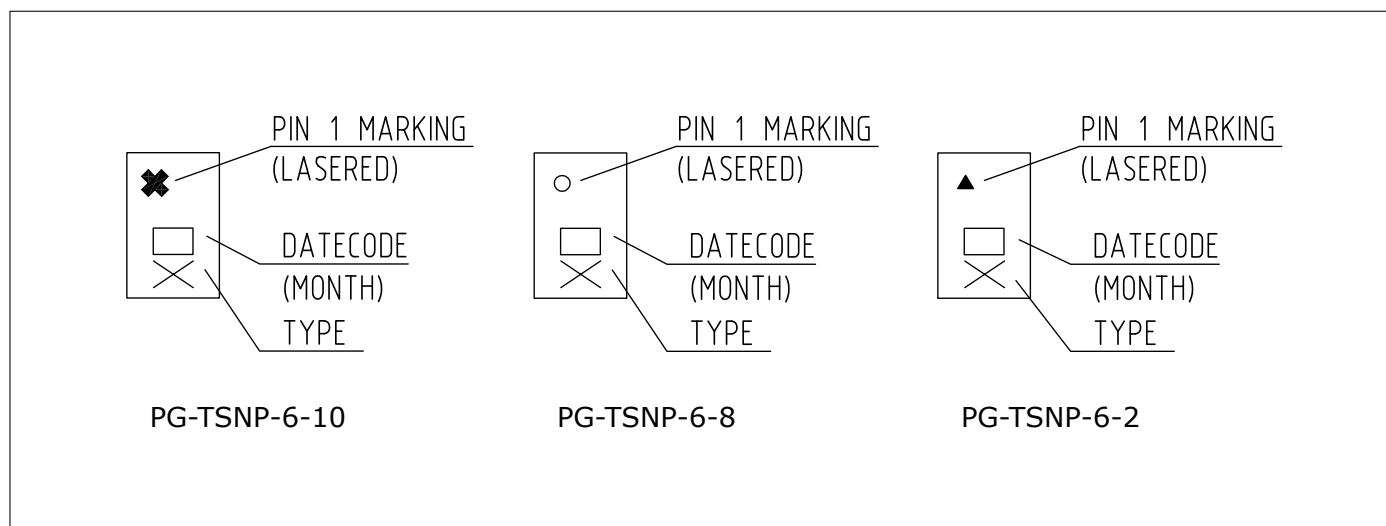
# BGS12WN6

## Wideband SPDT Diversity Switch with High Switching Speed

### Package Information



**Figure 6:** Footprint Recommendation



**Figure 7:** Marking Specification (Top View). Monthly date code specified in Table 13.

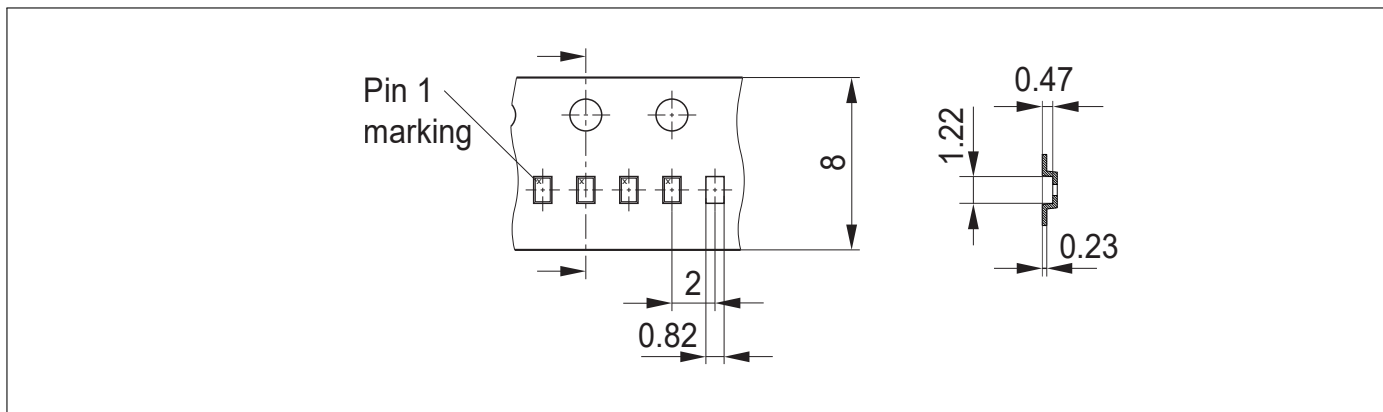
**Table 13: Monthly Date Code Marking**

Month	2018	2019	2020	2021	2022	2023	2024	2025	2026
1	P	a	p	A	P	a	p	A	P
2	Q	b	q	B	Q	b	q	B	Q
3	R	c	r	C	R	c	r	C	R
4	S	d	s	D	S	d	s	D	S
5	T	e	t	E	T	e	t	E	T
6	U	f	u	F	U	f	u	F	U
7	V	g	v	G	V	g	v	G	V
8	X	h	x	H	X	h	x	H	X
9	Y	j	y	J	Y	j	y	J	Y
10	Z	k	z	K	Z	k	z	K	Z
11	4	l	2	L	4	l	2	L	4
12	5	n	3	N	5	n	3	N	5

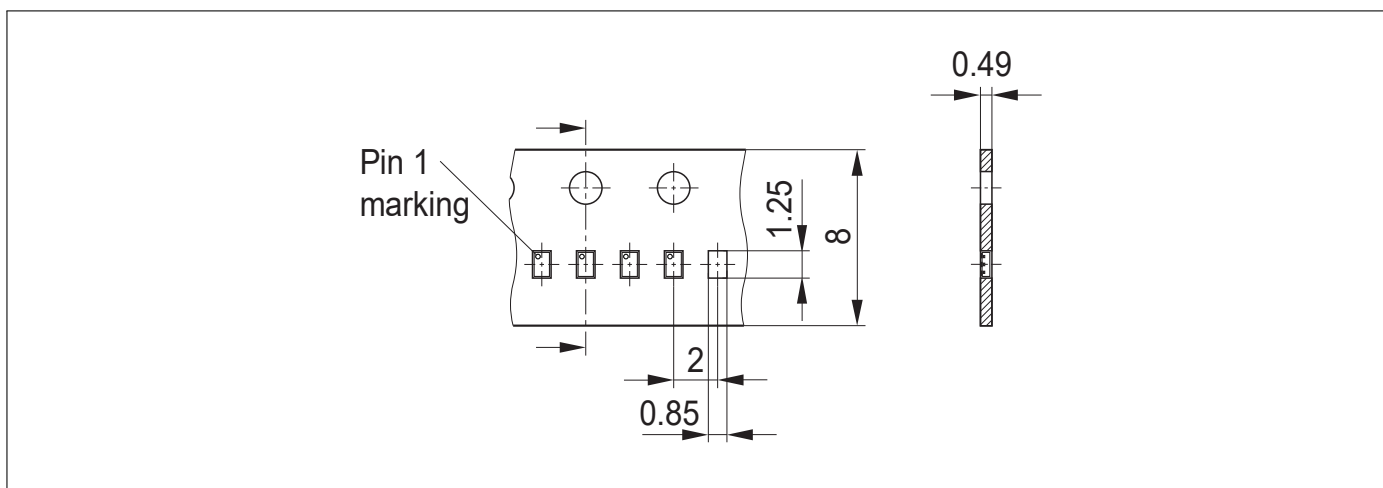
# BGS12WN6

## Wideband SPDT Diversity Switch with High Switching Speed

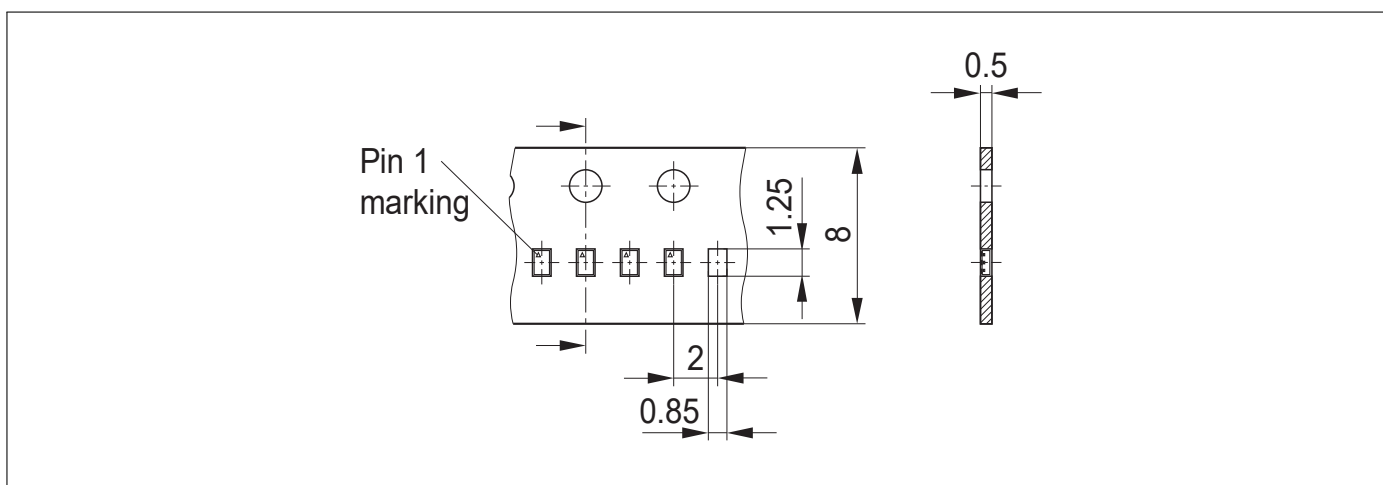
### Package Information



**Figure 8:** PG-TSNP-6-10 Carrier Tape Drawing (Top, Side and Bottom Views)



**Figure 9:** PG-TSNP-6-8 Carrier Tape Drawing (Top and Side Views)



**Figure 10:** PG-TSNP-6-2 Carrier Tape Drawing (Top and Side Views)

# BGS12WN6

## Wideband SPDT Diversity Switch with High Switching Speed

---



---

### Revision History

---

#### Revision 2.1, 2020-01-24

---

Page or Item	Subjects (major changes since previous revision)
--------------	--

---

#### Revision 2.2, 2020-02-19

4	Control Voltage High in Table 3 corrected
---	---

---

9	Pin-1 Marking in Figure 2 removed
---	-----------------------------------

---

#### **Other Trademarks**

All referenced product or service names and trademarks are the property of their respective owners.

**Edition 2020-02-19**  
**Published by**  
**Infineon Technologies AG**  
**81726 Munich, Germany**

**© 2020 Infineon Technologies AG.**  
**All Rights Reserved.**

**Do you have a question about any aspect of this document?**  
**Email: [erratum@infineon.com](mailto:erratum@infineon.com)**

#### **IMPORTANT NOTICE**

The information given in this document shall in no event be regarded as a guarantee of conditions or characteristics ("Beschaffenheitsgarantie"). With respect to any examples, hints or any typical values stated herein and/or any information regarding the application of the product, Infineon Technologies hereby disclaims any and all warranties and liabilities of any kind, including without limitation warranties of non-infringement of intellectual property rights of any third party. In addition, any information given in this document is subject to customer's compliance with its obligations stated in this document and any applicable legal requirements, norms and standards concerning customer's products and any use of the product of Infineon Technologies in customer's applications. The data contained in this document is exclusively intended for technically trained staff. It is the responsibility of customer's technical departments to evaluate the suitability of the product for the intended application and the completeness of the product information given in this document with respect to such application.

For further information on technology, delivery terms and conditions and prices, please contact the nearest Infineon Technologies Office ([www.infineon.com](http://www.infineon.com)).

#### **WARNINGS**

Due to technical requirements products may contain dangerous substances. For information on the types in question please contact your nearest Infineon Technologies office.

Except as otherwise explicitly approved by Infineon Technologies in a written document signed by authorized representatives of Infineon Technologies, Infineon Technologies products may not be used in any applications where a failure of the product or any consequences of the use thereof can reasonably be expected to result in personal injury.



## X-ON Electronics

Largest Supplier of Electrical and Electronic Components

*Click to view similar products for [RF Switch ICs](#) category:*

*Click to view products by [Infineon](#) manufacturer:*

Other Similar products are found below :

[MASW-008853-TR3000](#) [MASW6010G](#) [BGSX210MA18E6327XTSA1](#) [CG2185X2](#) [CG2415M6](#) [MA4AGSW1A](#) [MA4SW410](#)  
[MA4SW410B-1](#) [MASW-002102-13580G](#) [MASW-005100-11940W](#) [BGS 12PL6 E6327](#) [BGS1414MN20E6327XTSA1](#)  
[BGS1515MN20E6327XTSA1](#) [SKY13374-397LF](#) [CG2415M6-C2](#) [AS222-92LF](#) [MASWSS0201TR](#) [MASW-007075-000100](#) [MASW-004103-](#)  
[13655P](#) [MASW-003102-13590G](#) [MASWSS0202TR-3000](#) [MASW-008543-TR3000](#) [MA4SW310B-1](#) [SW-313-PIN](#) [CG2430X1](#) [SKY13405-](#)  
[490LF](#) [SKYA21001](#) [SKY13415-485LF](#) [MMS008PP3](#) [SKY13319-374LF](#) [SKY13404-466LF](#) [SKY13473-569LF](#) [SKY13626-685LF](#)  
[NJG1809ME7-TE1](#) [SKY13343-92LF](#) [MASW-002103-13635P](#) [SKY13417-485LF](#) [MASW-004103-13650P](#) [NJG1649HB6](#)  
[RFASWE660DTF03](#) [BGSA14GN10E6327](#) [FM1694C](#) [XMSS1R6G0PA-001](#) [AW13612FLR](#) [AW13102DNR](#) [FM3418C](#) [AW13508QNR](#)  
[AW13418RQNR](#) [FM8648M](#) [FM8545](#)