

# BGS13PN10

SP3T high linearity, high power RF Switch

## Data Sheet

Revision 1.0 - 2016-09-27

Final

**Edition 2016-09-27**

**Published by  
Infineon Technologies AG  
81726 Munich, Germany**

**©2012 Infineon Technologies AG  
All Rights Reserved.**

### **Legal Disclaimer**

The information given in this document shall in no event be regarded as a guarantee of conditions or characteristics. With respect to any examples or hints given herein, any typical values stated herein and/or any information regarding the application of the device, Infineon Technologies hereby disclaims any and all warranties and liabilities of any kind, including without limitation, warranties of non-infringement of intellectual property rights of any third party.

### **Information**

For further information on technology, delivery terms and conditions and prices, please contact the nearest Infineon Technologies Office ([www.infineon.com](http://www.infineon.com)).

### **Warnings**

Due to technical requirements, components may contain dangerous substances. For information on the types in question, please contact the nearest Infineon Technologies Office.

Infineon Technologies components may be used in life-support devices or systems only with the express written approval of Infineon Technologies, if a failure of such components can reasonably be expected to cause the failure of that life-support device or system or to affect the safety or effectiveness of that device or system. Life support devices or systems are intended to be implanted in the human body or to support and/or maintain and sustain and/or protect human life. If they fail, it is reasonable to assume that the health of the user or other persons may be endangered.

## Revision History

Document No.: BGS13PN10.pdf

Revision History: -

Previous Version: 0.6

Page	Subjects (major changes since last revision)
5	Updated Title
8	Updated RF characteristics for RF1 and RF3
9	Added RF characteristics for RF2

### Trademarks of Infineon Technologies AG

AURIX™, C166™, CanPAK™, CIPOS™, CIPURSE™, CoolGaN™, CoolMOS™, CoolSET™, CoolSiC™, CORECONTROL™, DAVE™, DI-POL™, EasyPIM™, EconoBRIDGE™, EconoDUAL™, EconoPACK™, EconoPIM™, EiceDRIVER™, eupec™, FCOS™, HITFET™, HybridPACK™, ISOFACE™, I<sup>2</sup>RF™, IsoPACK™, MIPAQ™, ModSTACK™, my-d™, NovalithIC™, OmniTune™, OptiMOS™, ORIGA™, OPTIGA™, PROFET™, PRO-SIL™, PRIMARION™, PrimePACK™, RASIC™, ReverSave™, SatRIC™, SIEGET™, SIPMOS™, SOLID FLASH™, SmartLEWIS™, TEMPFET™, thinQ!™, TriCore™, TRENCHSTOP™.

### Other Trademarks

Advance Design System™ (ADS) of Agilent Technologies, AMBA™, ARM™, MULTI-ICE™, PRIMECELL™, REALVIEW™, THUMB™ of ARM Limited, UK. AUTOSAR™ is licensed by AUTOSAR development partnership. Bluetooth™ of Bluetooth SIG Inc. CAT-iq™ of DECT Forum. COLOSSUS™, FirstGPS™ of Trimble Navigation Ltd. EMV™ of EMVCo, LLC (Visa Holdings Inc.). EPCOS™ of Epcos AG. FLEXGO™ of Microsoft Corporation. FlexRay™ is licensed by FlexRay Consortium. HYPERTERMINAL™ of Hilgraeve Incorporated. IEC™ of Commission Electrotechnique Internationale. IrDA™ of Infrared Data Association Corporation. ISO™ of INTERNATIONAL ORGANIZATION FOR STANDARDIZATION. MATLAB™ of MathWorks, Inc. MAXIM™ of Maxim Integrated Products, Inc. MICROTEC™, NUCLEUS™ of Mentor Graphics Corporation. Mifare™ of NXP. MIPI™ of MIPI Alliance, Inc. MIPS™ of MIPS Technologies, Inc., USA. muRata™ of MURATA MANUFACTURING CO., MICROWAVE OFFICE™ (MWO) of Applied Wave Research Inc., OmniVision™ of OmniVision Technologies, Inc. Openwave™ Openwave Systems Inc. RED HAT™ Red Hat, Inc. RFMD™ RF Micro Devices, Inc. SIRIUS™ of Sirius Satellite Radio Inc. SOLARIS™ of Sun Microsystems, Inc. SPANSION™ of Spansion LLC Ltd. Symbian™ of Symbian Software Limited. TAIYO YUDEN™ of Taiyo Yuden Co. TEAKLITE™ of CEVA, Inc. TEKTRONIX™ of Tektronix Inc. TOKO™ of TOKO KABUSHIKI KAISHA TA. UNIX™ of X/Open Company Limited. VERILOG™, PALLADIUM™ of Cadence Design Systems, Inc. VLYNQ™ of Texas Instruments Incorporated. VXWORKS™, WIND RIVER™ of WIND RIVER SYSTEMS, INC. ZETEX™ of Diodes Zetex Limited.

Last Trademarks Update 2012-12-13

## Contents

<b>1 Features</b>	<b>5</b>
<b>2 Product Description</b>	<b>5</b>
<b>3 Maximum Ratings</b>	<b>6</b>
<b>4 Operation Ranges</b>	<b>7</b>
<b>5 Logic Table</b>	<b>7</b>
<b>6 RF Characteristics for RF1 and RF3</b>	<b>8</b>
<b>7 RF Characteristics for RF2</b>	<b>9</b>
<b>8 RF large signal parameter</b>	<b>10</b>
<b>9 Package Outline and Pin Configuration</b>	<b>12</b>

## List of Figures

1 BGS13PN10 block diagram . . . . .	6
2 Pinout (top view) . . . . .	12
3 Package Dimensions Drawing . . . . .	13
4 Land pattern and stencil mask . . . . .	13
5 Marking . . . . .	14
6 Tape drawing . . . . .	14

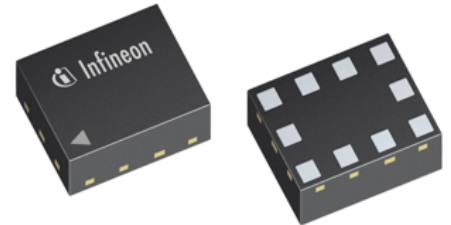
## List of Tables

1 Ordering Information . . . . .	5
2 Maximum Ratings, Table I . . . . .	6
3 Maximum Ratings, Table II . . . . .	7
4 Operation Ranges . . . . .	7
5 Logic Table . . . . .	7
6 RF Specifications . . . . .	8
7 RF Specifications . . . . .	9
8 RF large signal Specifications . . . . .	10
9 RF large signal Specifications . . . . .	10
10 Logic Table . . . . .	11
11 Logic Table . . . . .	11
12 Logic Table . . . . .	11
13 Pin description . . . . .	12
14 Mechanical data . . . . .	12

## BGS13PN10 SP3T high linearity, high power RF Switch

### 1 Features

- High max RF power: 40 dBm CW @ 900 MHz, room temperature
- Three ultra-low loss ports:
  - 0.19 dB @  $f=0.9$  GHz,  $P_{IN}=38$  dBm
  - 0.24 dB @  $f=1.9$  GHz,  $P_{IN}=38$  dBm
  - 0.26 dB @  $f=2.7$  GHz,  $P_{IN}=33$  dBm
  - 1.06 dB @  $f=3.6$  GHz,  $P_{IN}=33$  dBm
  - 1.62 dB @  $f=5.5$  GHz,  $P_{IN}=33$  dBm
- No DC decoupling components required, if no external DC is applied on RF ports
- High ESD robustness
- Low harmonic generation
- High linearity
  - All 3 RF ports 76 dBm IIP3
- No power supply blocking required
- Supply voltage range: 1.8 to 3.6 V
- No insertion loss change within supply voltage range
- No linearity change within supply voltage range
- Suitable for EDGE / C2K / LTE / WCDMA / SV-LTE Applications
- 0.5 to 6.0 GHz coverage
- Small form factor 1.1 mm x 1.5 mm
- 400  $\mu$ m pad pitch
- RoHS and WEEE compliant package



### 2 Product Description

The BGS13PN10 is a Single Pole Triple Throw (SP3T) RF antenna aperture switch optimized for mobile phone applications up to 6.0 GHz. This single supply chip integrates on-chip CMOS logic driven by a two simple, CMOS or TTL compatible control input signals. Unlike GaAs technology, the 0.1 dB compression point exceeds the switch maximum input power level, resulting in linear performance at all signal levels and external DC blocking capacitors at the RF ports are only required if DC voltage is applied externally.

**Table 1: Ordering Information**

Type	Package	Marking	Chip
BGS13PN10	TSNP10-1	3P	M4821B

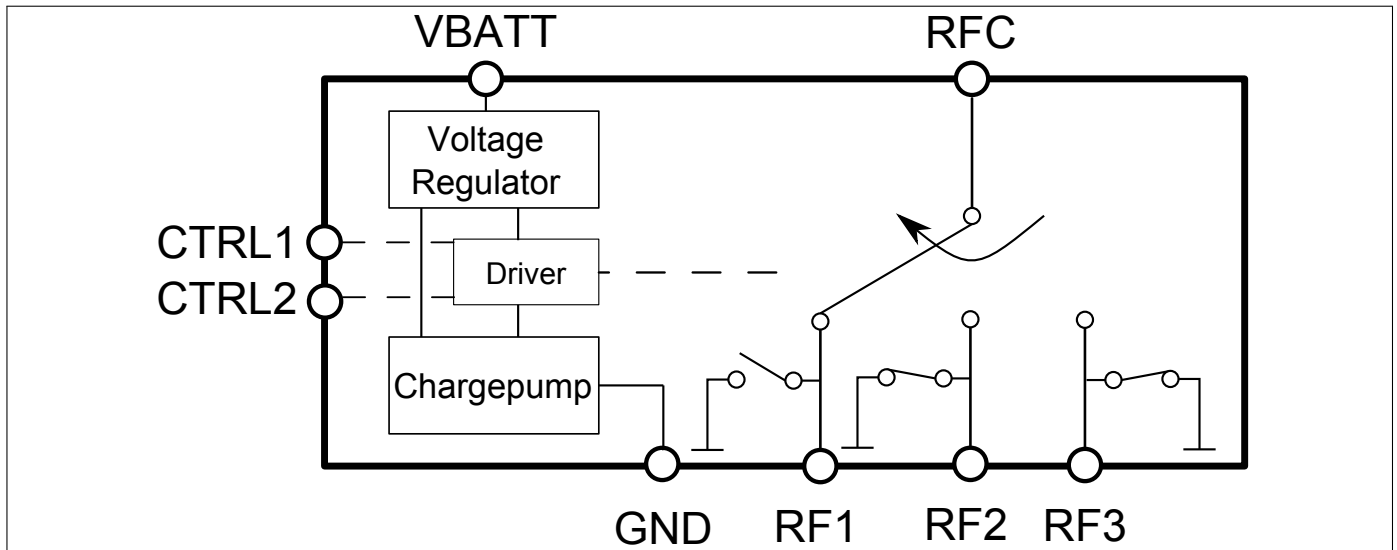


Figure 1: BG513PN10 block diagram

### 3 Maximum Ratings

Table 2: Maximum Ratings, Table I at  $T_A = 25\text{ }^\circ\text{C}$ , unless otherwise specified

Parameter	Symbol	Values			Unit	Note / Test Condition
		Min.	Typ.	Max.		
Frequency Range	$f$	0.5	–	–	GHz	<sup>1)</sup>
Supply voltage	$V_{DD}$	-0.5	–	3.6	V	–
Storage temperature range	$T_{STG}$	-55	–	150	$^\circ\text{C}$	–
RF input power	$P_{RF\_TRX}$	–	–	40	dBm	CW
ESD capability Human Body Model	$V_{ESD_{HBM}}$	-1	–	+1	kV	
ESD capability ANT port (according IEC 61000-4-2 contact)	$V_{ESD_{ANT}}$	-8	–	+8	kV	On application board with 27nH shunt inductor
Junction temperature	$T_j$	–	–	125	$^\circ\text{C}$	–

<sup>1)</sup> Switch has no highpass response. There is also a high ohmic DC to the RF path. The DC voltage at RF ports  $V_{RFDC}$  has to be 0V.

**Table 3: Maximum Ratings, Table II** at  $T_A = 25\text{ °C}$ , unless otherwise specified

Parameter	Symbol	Values			Unit	Note / Test Condition
		Min.	Typ.	Max.		
Maximum DC-voltage on RF-Ports and RF-Ground	$V_{RFDC}$	0	–	0	V	No DC voltages allowed on RF-Ports
Control Voltage Levels	$V_{CTRL}$	-0.7	–	3.3	V	–

## 4 Operation Ranges

**Table 4: Operation Ranges**

Parameter	Symbol	Values			Unit	Note / Test Condition
		Min.	Typ.	Max.		
Supply voltage	$V_{DD}$	1.8	2.85	3.6	V	–
Supply current <sup>1)</sup>	$I_{DD}$	–	75	120	$\mu A$	–
Control voltage low	$V_{Ctrl,low}$	0		0.45	V	–
Control voltage high	$V_{Ctrl,high}$	1.35	1.8	2.85	V	–
Control current low	$I_{Ctrl,low}$	-1	0	1	$\mu A$	–
Control current high	$I_{Ctrl,high}$	-1	0	1	$\mu A$	–
Ambient temperature	$T_A$	-40	25	85	$^{\circ}C$	–
RF switching time <sup>2)</sup>	$t_{sw}$	0.5	1	5	$\mu s$	–
Startup time <sup>2)</sup>	$t_{sw}$		10	30	$\mu s$	–

<sup>1)</sup>  $T_A = -40\text{ °C} - +85\text{ °C}$ ,  $V_{BATT} = 1.8 - 3.6\text{ V}$

<sup>2)</sup> Represents actual alpha status. To be updated.

## 5 Logic Table

**Table 5: Logic Table**

CTRL 1	CTRL 2	Mode
0	0	RF1 connected to ANT
0	1	RF2 connected to ANT
1	0	RF3 connected to ANT
1	1	Isolation Mode

Confidential

## 6 RF Characteristics for RF1 and RF3

**Table 6: RF Specifications**

Parameter	Symbol	Values			Unit	Note / Test Condition	
		Min.	Typ.	Max.			
<b>Insertion Loss</b>							
698 - 960 MHz	<i>IL</i>	–	0.19	0.25	dB	$V_{DD} = 1.8 - 3.6 V$ , $T_A = -40 \dots +85 \text{ }^\circ\text{C}$ , $Z_0 = 50 \text{ } \Omega$ , $P_{IN}$ up to 38 dBm	
1710 - 1980 MHz		–	0.24	0.33	dB		
1981 - 2170 MHz		–	0.26	0.36	dB		
2171 - 2690 MHz		–	0.35	0.43	dB		
3400 - 3800 MHz		–	0.55	0.75	dB		
5150 - 5850 MHz		–	1.50	1.80	dB		
<b>Return Loss</b>							
All Ports @ 698 - 960 MHz	<i>RL</i>	18.5	23	–	dB		
All Ports @ 1710 - 2690 MHz		14.5	20	–	dB		
All Ports @ 3400 - 3800 MHz		9	11	–	dB		
All Ports @ 5150 - 5850 MHz		6.5	9	–	dB		
<b>Isolation RFC</b>							
698 - 915 MHz	<i>ISO</i>	33	40	–	dB		
1710 - 1980 MHz		27	31.5	–	dB		
1981 - 2170 MHz		26	30.5	–	dB		
2171 - 2690 MHz		23.5	27	–	dB		
3400 - 3800 MHz		19.5	23.5	–	dB		
5150 - 5850 MHz		14	17	–	dB		
<b>Isolation RF1,2,3 - RF3,2,1</b>							
698 - 915 MHz	<i>ISO</i>	43	47	–	dB		
1710 - 1980 MHz		34	37	–	dB		
1981 - 2170 MHz		32	35	–	dB		
2170 - 2690 MHz		28	32	–	dB		
3400 - 3800 MHz		24	27	–	dB		
5150 - 5850 MHz		16	20	–	dB		



Confidential

## 7 RF Characteristics for RF2

**Table 7: RF Specifications**

Parameter	Symbol	Values			Unit	Note / Test Condition	
		Min.	Typ.	Max.			
<b>Insertion Loss</b>							
698 - 960 MHz	<i>IL</i>	–	0.30	0.40	dB	$V_{DD} = 1.8 - 3.6 V,$ $T_A = -40 \dots +85 \text{ }^\circ\text{C},$ $Z_0 = 50 \text{ } \Omega,$ $P_{IN}$ up to 38 dBm	
1710 - 1980 MHz		–	0.35	0.45	dB		
1981 - 2170 MHz		–	0.40	0.50	dB		
2171 - 2690 MHz		–	0.45	0.55	dB		
3400 - 3800 MHz		–	0.70	1.00	dB		
5150 - 5850 MHz		–	1.50	1.80	dB		
<b>Return Loss</b>							
All Ports @ 698 - 960 MHz	<i>RL</i>	19	25	–	dB		
All Ports @ 1710 - 2690 MHz		14.5	20	–	dB		
All Ports @ 3400 - 3800 MHz		9.5	13	–	dB		
All Ports @ 5150 - 5850 MHz		8.5	11	–	dB		
<b>Isolation RFC</b>							
698 - 915 MHz	<i>ISO</i>	33	40	–	dB		
1710 - 1980 MHz		27	31.5	–	dB		
1981 - 2170 MHz		26	30.5	–	dB		
2171 - 2690 MHz		23.5	27	–	dB		
3400 - 3800 MHz		19.5	23.5	–	dB		
5150 - 5850 MHz		14	17	–	dB		
<b>Isolation RF1,2,3 - RF3,2,1</b>							
698 - 915 MHz	<i>ISO</i>	43	47	–	dB		
1710 - 1980 MHz		34	37	–	dB		
1981 - 2170 MHz		32	35	–	dB		
2170 - 2690 MHz		28	32	–	dB		
3400 - 3800 MHz		24	27	–	dB		
5150 - 5850 MHz		16	20	–	dB		

## 8 RF large signal parameter

**Table 8: RF large signal specifications for RF1 and RF3**

Parameter	Symbol	Values			Unit	Note / Test Condition
		Min.	Typ.	Max.		
<b>Harmonic Generation up to 12.75 GHz<sup>(1,2,3)</sup></b>						
Second Order Harmonics	$P_{H2}$	–	-95	–	dBc	25 dBm, 50Ω, CW mode
Third Order Harmonics	$P_{H3}$	–	-115	–	dBc	25 dBm, 50Ω, CW mode
All RF Ports	$P_{Hx}$	–	-100	–	dBc	25 dBm, 50Ω, CW mode
<b>Intermodulation Distortion IMD2<sup>(1,2,3)</sup></b>						
IIP2, low	IIP2,l	–	110	–	dBm	IIP2 conditions table 8
IIP2, high	IIP2,h	–	120	–	dBm	
<b>Intermodulation Distortion IMD3<sup>(1,2,3)</sup></b>						
IIP3	IIP3	–	76	–	dBm	IIP3 conditions table 9
<b>SV LTE Intermodulation<sup>(1,2,3)</sup></b>						
IIP3,SVLTE	IIP3,SV	–	77	–	dBm	SV-LTE conditions table 10

<sup>1)</sup>Terminating Port Impedance:  $Z_0 = 50 \Omega$  <sup>2)</sup>Supply Voltage:  $V_{DD} = 1.8 - 3.6 V$  <sup>3)</sup>On application board without any matching components

**Table 9: RF large signal specifications for RF2**

Parameter	Symbol	Values			Unit	Note / Test Condition
		Min.	Typ.	Max.		
<b>Harmonic Generation up to 12.75 GHz<sup>(1,2,3)</sup></b>						
Second Order Harmonics	$P_{H2}$	–	-100	–	dBc	25 dBm, 50Ω, CW mode
Third Order Harmonics	$P_{H3}$	–	-105	–	dBc	25 dBm, 50Ω, CW mode
All RF Ports	$P_{Hx}$	–	-100	–	dBc	25 dBm, 50Ω, CW mode
<b>Intermodulation Distortion IMD2<sup>(1,2,3)</sup></b>						
IIP2, low	IIP2,l	–	110	–	dBm	IIP2 conditions table 8
IIP2, high	IIP2,h	–	120	–	dBm	
<b>Intermodulation Distortion IMD3<sup>(1,2,3)</sup></b>						
IIP3	IIP3	–	76	–	dBm	IIP3 conditions table 9
<b>SV LTE Intermodulation<sup>(1,2,3)</sup></b>						
IIP3,SVLTE	IIP3,SV	–	77	–	dBm	SV-LTE conditions table 10

<sup>1)</sup>Terminating Port Impedance:  $Z_0 = 50 \Omega$  <sup>2)</sup>Supply Voltage:  $V_{DD} = 1.8 - 3.6 V$  <sup>3)</sup>On application board without any matching components

**Table 10: IIP2 conditions table**

Band	In-Band Frequency [MHz]	Blocker Frequency 1 [MHz]	Blocker Power 1 [dBm]	Blocker Frequency 2 [MHz]	Blocker Power 2 [dBm]
Band 1 Low	2140	1950	20	190	-15
Band 1 High	2140	1950	20	4090	-15
Band 5 Low	881.5	836.5	20	45	-15
Band 5 High	881.5	836.5	20	1718	-15

**Table 11: IIP3 conditions table**

Band	In-Band Frequency [MHz]	Blocker Frequency 1 [MHz]	Blocker Power 1 [dBm]	Blocker Frequency 2 [MHz]	Blocker Power 2 [dBm]
Band 1	2140	1950	20	1760	-15
Band 5	881.5	836.5	20	791.5	-15

**Table 12: SV-LTE conditions table**

Band	In-Band Frequency [MHz]	Blocker Frequency 1 [MHz]	Blocker Power 1 [dBm]	Blocker Frequency 2 [MHz]	Blocker Power 2 [dBm]
Band 5	872	827	23	872	14
Band 13	747	786	23	747	14
Band 20	878	833	23	2544	14

## 9 Package Outline and Pin Configuration

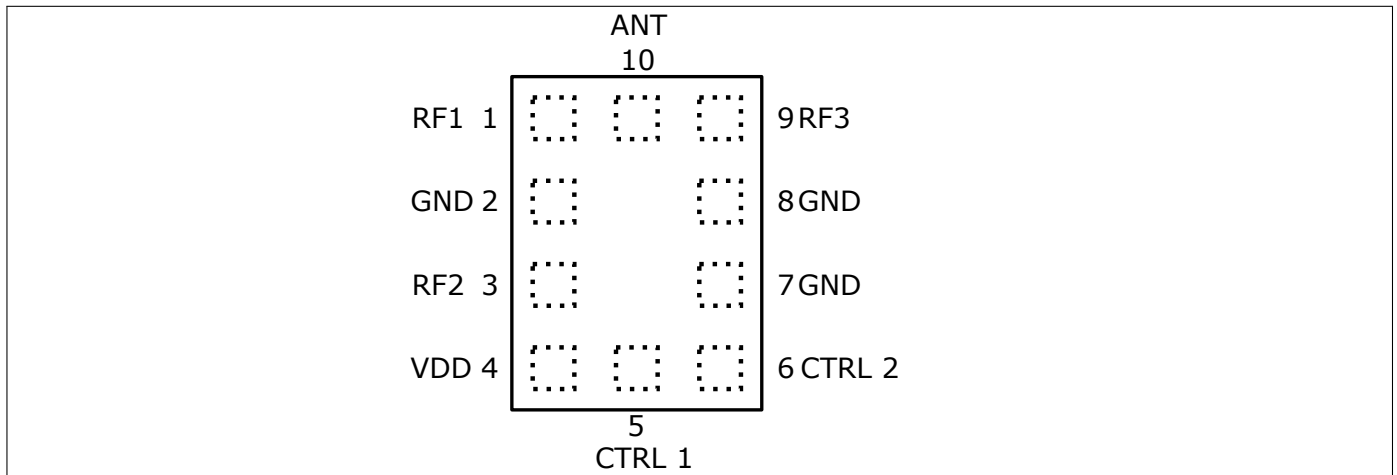


Figure 2: Pinout (top view)

Table 13: Pin Description

Pin No.	Name	Pin Type	Buffer Type	Function
1	RF1	I/O		RF1
2	GND	GND		Ground
3	RF2	I/O		RF2
4	VDD	PWR		Supply voltage
5	CTRL 1	I		Control Pin 1
6	CTRL 2	I		Control Pin 2
7	GND	GND		Ground
8	GND	GND		Ground
9	RF3	I/O		RF3
10	ANT	I/O		Common RF / Antenna

Table 14: Mechanical Data

Parameter	Symbol	Value	Unit
X-Dimension	<i>X</i>	1.1 ± 0.05	mm
Y-Dimension	<i>Y</i>	1.5 ± 0.05	mm
Size	<i>Size</i>	1.65	mm <sup>2</sup>
Height	<i>H</i>	0.375	mm

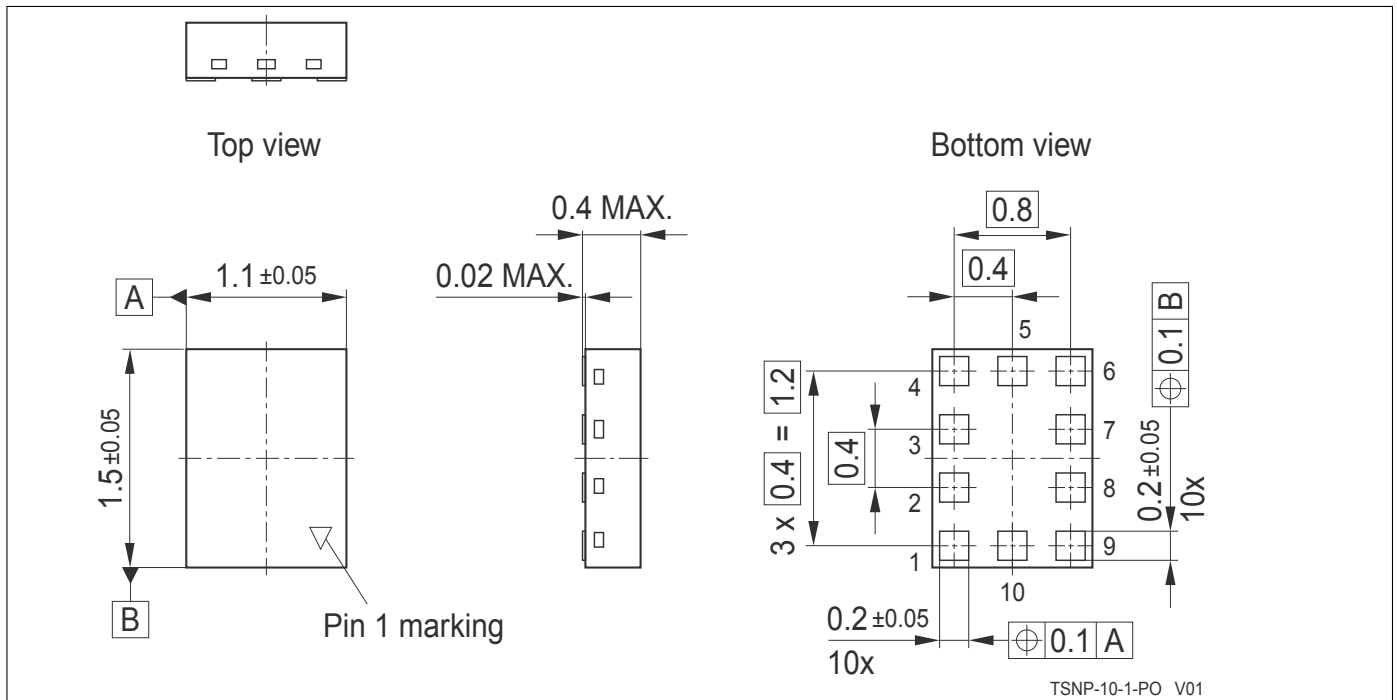


Figure 3: Package Dimensions Drawing

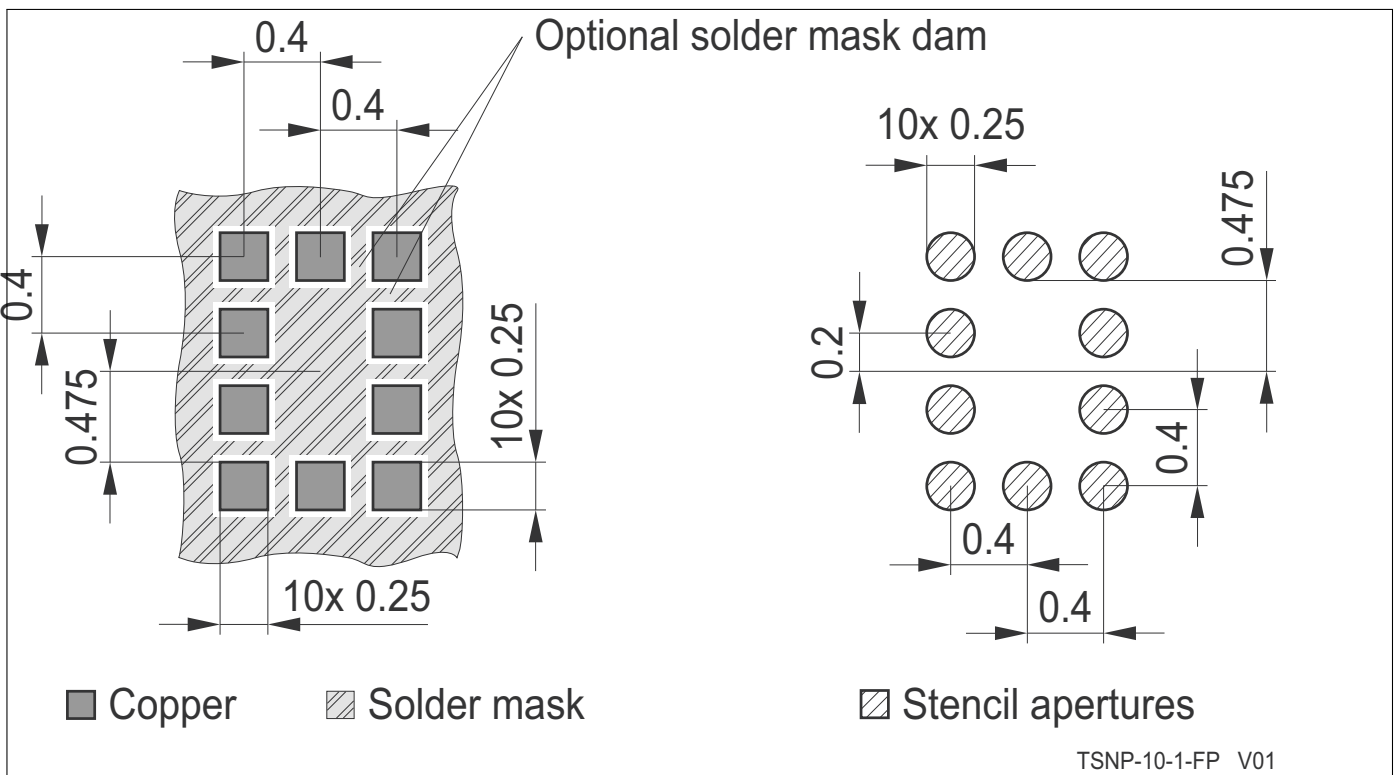


Figure 4: Land pattern and stencil mask

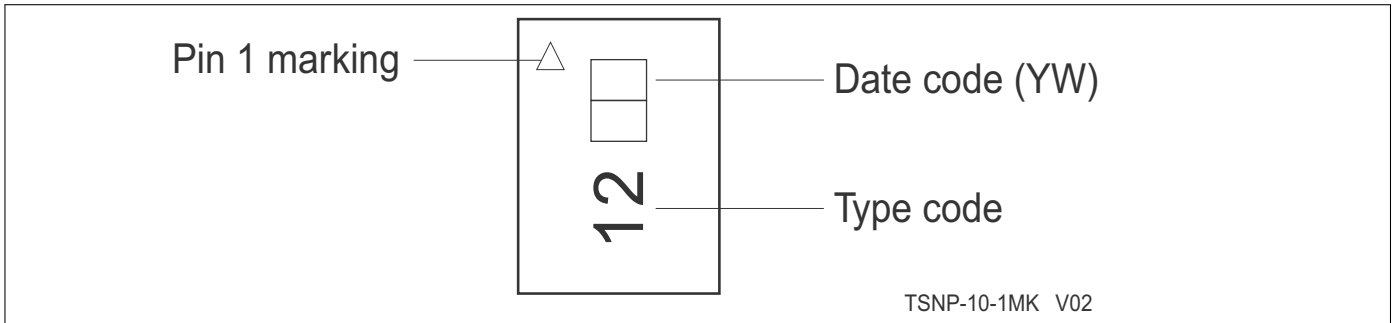


Figure 5: Marking

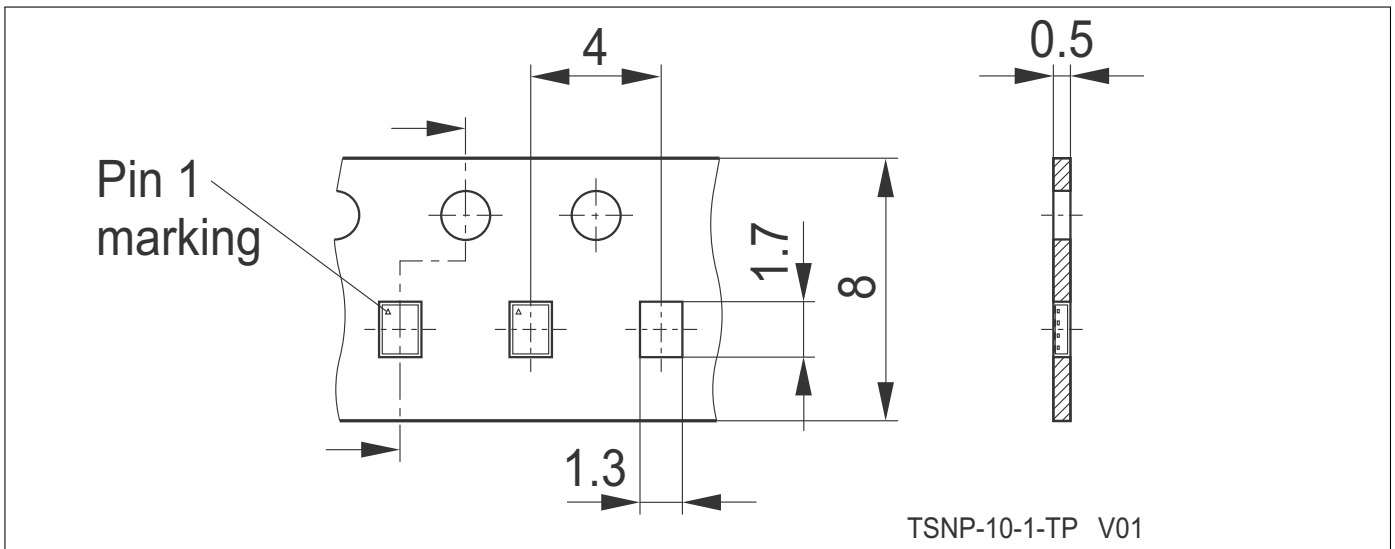


Figure 6: Tape drawing

[www.infineon.com](http://www.infineon.com)

Published by Infineon Technologies AG

## X-ON Electronics

Largest Supplier of Electrical and Electronic Components

*Click to view similar products for [RF Switch ICs](#) category:*

*Click to view products by [Infineon](#) manufacturer:*

Other Similar products are found below :

[MASW-008853-TR3000](#) [BGS13SN8E6327XTSA1](#) [BGSX210MA18E6327XTSA1](#) [SKY13446-374LF](#) [SW-227-PIN](#) [CG2185X2](#) [CG2415M6](#)  
[MA4AGSW5](#) [MA4SW410](#) [MA4SW410B-1](#) [MASW-002102-13580G](#) [MASW-008543-001SMB](#) [MASW-008955-TR3000](#) [TGS4307](#)  
[BGS1414MN20E6327XTSA1](#) [BGS1515MN20E6327XTSA1](#) [BGSA11GN10E6327XTSA1](#) [BGSX28MA18E6327XTSA1](#) [HMC199AMS8](#)  
[HMC986A](#) [SKY13374-397LF](#) [SKY13453-385LF](#) [CG2415M6-C2](#) [HMC986A-SX](#) [SW-314-PIN](#) [UPG2162T5N-E2-A](#) [SKY13416-485LF](#)  
[MASWSS0204TR-3000](#) [MASWSS0201TR](#) [MASWSS0181TR-3000](#) [MASW-007588-TR3000](#) [MASW-004103-13655P](#) [MASW-003102-](#)  
[13590G](#) [MASWSS0202TR-3000](#) [MA4SW310B-1](#) [MA4SW310](#) [MA4SW110](#) [SW-313-PIN](#) [SKY13321-360LF](#) [SKY13405-490LF](#) [BGSF](#)  
[18DM20 E6327](#) [SKY13415-485LF](#) [MMS008PP3](#) [BGS13PN10E6327XTSA1](#) [SKY13319-374LF](#) [BGS14PN10E6327XTSA1](#) [SKY12213-](#)  
[478LF](#) [SKY13404-466LF](#) [MASW-011060-TR0500](#) [SKYA21024](#)