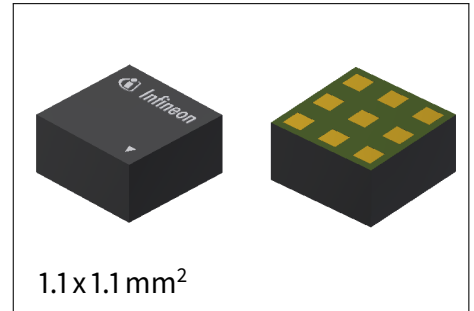


# BGS14MPA9

## High Linearity, High Power SP4T RF Switch with MIPI 2.0

### Key Features

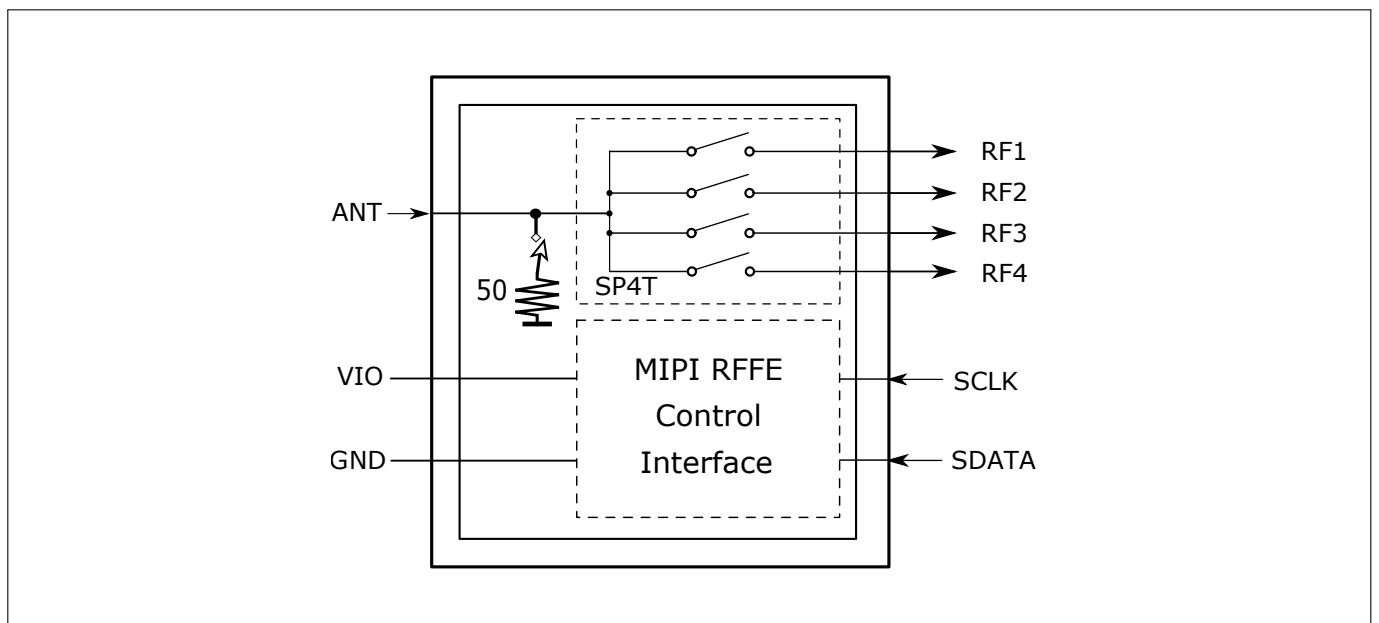
- 0.05 to 6.0 GHz coverage for FM Radio, LTE, LAA and 5G application
- Low Insertion Loss and high isolation up to 6 GHz
- High linearity with ultra low harmonic generation
- Up to 37 dBm operating RF input power
- No decoupling capacitors required if no DC applied on RF lines
- Integrated MIPI RFFE interface
- Software programmable MIPI RFFE USID
- Small form factor 1.1mm x 1.1mm
- Suitable for multi-mode LTE and WCDMA multi antenna applications
- No power supply blocking required
- 50-Ohm termination enabling at isolation mode



### Product Validation

Qualified for industrial applications according to the relevant tests of JEDEC47/20/22.

### Block diagram



# BGS14MPA9

## High Linearity, High Power SP4T RF Switch with MIPI 2.0

---

### Table of Contents

## Table of Contents

Table of Contents	1
1 Features	2
2 Maximum Ratings	3
3 Operation range	4
4 RF Characteristics	5
5 MIPI RFFE Specification	9
6 Package related information	13

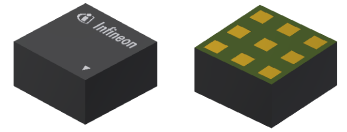
# BGS14MPA9

## High Linearity, High Power SP4T RF Switch with MIPI 2.0

### Features

## 1 Features

- Ultra low insertion loss 0.3 dB at 2.7 GHz and 1.0 dB at 6 GHz
- High TX Power Handling Capabilities with up to 37 dBm
- 0.05 to 6.0 GHz coverage for FM Radio, LTE, LAA and 5G application
- Low harmonic generation
- High port-to-port-isolation
- On chip control logic including ESD protection
- Fully compatible with MIPI 2.0 RFFE standard operating in 1.65 to 1.95 V voltage range
- Software programmable MIPI RFFE USID
- Small form factor 1.1mm x 1.1mm
- No power supply blocking required
- No decoupling capacitors required (Unless DC applied on RF lines)
- 50-Ohm termination enabling at isolation mode
- High EMI robustness
- RoHS and WEEE compliant package



## Description

BGS14MPA9 is a Single Pole Four Throw (SP4T) high power switch in a very compact 9-pin package with very small size of only 1.1x 1.1mm<sup>2</sup> and a maximum thickness of 0.65mm.

Its performance is optimized for 2G / 3G / 4G and 5G cellular applications up to 6.0 GHz. With an ultra low insertion loss, high isolation, high linearity and high power handling, BGS14MPA9 is perfect for LTE 4G applications, such as Uplink-Carrier Aggregation, High Power User Equipment (HPUE Class 2) and 5G sub 6 GHz.

Furthermore the BGS14MPA9 can be applied as 2G / 3G post PA RF-Switch and high-band antenna switch for LTE-U / LAA or LTE band 42 and 43.

Product Name	Marking	Package
BGS14MPA9	C1	ATSLP-9-3

### Maximum Ratings

## 2 Maximum Ratings

**Table 1: Maximum Ratings, Table I** at  $T_A = 25\text{ }^\circ\text{C}$ , unless otherwise specified

Parameter	Symbol	Values			Unit	Note / Test Condition
		Min.	Typ.	Max.		
Frequency Range	$f$	0.05	–	6.0	GHz	1)
RFFE supply voltage <sup>2)</sup>	$V_{IO}$	-0.5	–	2.2	V	–
Storage temperature range	$T_{STG}$	-55	–	150	$^\circ\text{C}$	–
RF input power	$P_{RF\_max}$	–	–	38	dBm	At all TRx ports, CW / VSWR 1:1 / $50\ \Omega$
		–	–	25	dBm	50 Ohm Termination / CW
ESD capability, CDM <sup>3)</sup>	$V_{ESDCDM}$	-500	–	+500	V	
ESD capability, HBM <sup>4)</sup>	$V_{ESDHBM}$	-1	–	+1	kV	
ESD capability, system level <sup>5)</sup>	$V_{ESD\_RF}$	-8	–	+8	kV	RF versus system GND, with 27 nH
		-6	–	+6	kV	RF versus system GND, with 56 nH
Junction temperature	$T_j$	–	–	125	$^\circ\text{C}$	–

<sup>1)</sup> Switch has a low-pass response. For higher frequencies, losses have to be considered for their impact on thermal heating. The DC voltage at RF ports  $V_{RFDC}$  has to be 0V.

<sup>2)</sup> Note: Consider potential ripple voltages on top of  $V_{IO}$ . Including RF ripple,  $V_{IO}$  must not exceed the maximum ratings:  $V_{IO} = V_{DC} + V_{Ripple}$ .

<sup>3)</sup> Field-Induced Charged-Device Model ANSI/ESDA/JEDEC JS-002. Simulates charging/discharging events that occur in production equipment and processes. Potential for CDM ESD events occurs whenever there is metal-to-metal contact in manufacturing.

<sup>4)</sup> Human Body Model ANSI/ESDA/JEDEC JS-001 ( $R = 1,5\ \text{k}\Omega$ ,  $C = 100\ \text{pF}$ ).

<sup>5)</sup> IEC 61000-4-2 ( $R = 330\ \Omega$ ,  $C = 150\ \text{pF}$ ), contact discharge.

**Warning: Stresses above the max. values listed here may cause permanent damage to the device. Maximum ratings are absolute ratings; exceeding only one of these values may cause irreversible damage to the integrated circuit. Exposure to conditions at or below absolute maximum rating but above the specified maximum operation conditions may affect device reliability and life time. Functionality of the device might not be given under these conditions.**

**Table 2: Maximum Ratings, Table II** at  $T_A = 25\text{ }^\circ\text{C}$ , unless otherwise specified

Parameter	Symbol	Values			Unit	Note / Test Condition
		Min.	Typ.	Max.		
Thermal resistance junction - soldering point	$R_{thJS}$	–	–	70	K/W	–
Maximum DC-voltage on RF-Ports and RF-Ground	$V_{RFDC}$	0	–	0	V	No DC voltages allowed on RF-Ports

# BGS14MPA9

## High Linearity, High Power SP4T RF Switch with MIPI 2.0



### Operation range

## 3 Operation range

**Table 3: Operation range at  $T_A = -40\text{ °C}$  to  $85\text{ °C}$**

Parameter	Symbol	Values			Unit	Note / Test Condition
		Min.	Typ.	Max.		
Supply voltage	$V_{IO}$	1.65	1.8	1.95	V	–
RFFE input high voltage <sup>1</sup>	$V_{IH}$	$0.7 \cdot V_{IO}$	–	$V_{IO}$	V	–
RFFE input low voltage <sup>1</sup>	$V_{IL}$	0	–	$0.3 \cdot V_{IO}$	V	–
RFFE output high voltage <sup>1</sup>	$V_{OH}$	$0.8 \cdot V_{IO}$	–	$V_{IO}$	V	–
RFFE output low voltage <sup>1</sup>	$V_{OL}$	0	–	$0.2 \cdot V_{IO}$	V	–
RFFE control input capacitance	$C_{Ctrl}$	–	–	2	pF	–
Supply current	$I_{IO}$	–	65	150	$\mu\text{A}$	Operating State
Supply current, stand-by	$I_{IO, sb}$	–	2	–	$\mu\text{A}$	Idle State, power down mode

<sup>1</sup>SCLK and SDATA

**Table 4: RF input power**

Parameter	Symbol	Values			Unit	Note / Test Condition
		Min.	Typ.	Max.		
RF input power on TRX ports	$P_{RF}$	–	–	37	dBm	CW / VSWR 1:1 / $50\ \Omega$
RF input power	$P_{RF}$	–	–	25	dBm	50 Ohm Termination / 0.125 duty cycle

# BGS14MPA9

## High Linearity, High Power SP4T RF Switch with MIPI 2.0



### RF Characteristics

## 4 RF Characteristics

**Table 5: RF Characteristics** at  $T_A = 25\text{ °C}$ ,  $P_{IN} = 0\text{ dBm}$ , Supply Voltage  $V_{IO} = 1.8\text{V}$ , unless otherwise specified

Parameter	Symbol	Values			Unit	Note / Test Condition
		Min.	Typ.	Max.		
<b>Insertion Loss<sup>1)</sup></b>						
All TRx Ports	IL	–	0.18	0.25	dB	50–698 MHz
		–	0.20	0.28	dB	699–960 MHz
		–	0.24	0.35	dB	1200–2170 MHz
		–	0.30	0.45	dB	2171–2690 MHz
		–	0.49	0.75	dB	3300–4200 MHz
		–	0.77	1.05	dB	4400–5000 MHz
		–	1.00	1.50	dB	5150–5925 MHz

<sup>1)</sup>On application board without any matching components.

**Table 6: RF Characteristics** at  $T_A = -40\text{ °C}...85\text{ °C}$ ,  $P_{IN} = 0\text{ dBm}$ , Supply Voltage  $V_{IO} = 1.65...1.95\text{V}$ , unless otherwise specified

Parameter	Symbol	Values			Unit	Note / Test Condition
		Min.	Typ.	Max.		
<b>Insertion Loss<sup>1)</sup></b>						
All TRx Ports	IL	–	0.18	0.3	dB	50–698 MHz
		–	0.20	0.4	dB	699–960 MHz
		–	0.24	0.5	dB	1200–2170 MHz
		–	0.30	0.6	dB	2171–2690 MHz
		–	0.49	0.9	dB	3300–4200 MHz
		–	0.77	1.2	dB	4400–5000 MHz
		–	1.00	1.6	dB	5150–5925 MHz
<b>Return Loss<sup>1)</sup></b>						
All TRx Ports	RL	26	33	–	dB	50–698 MHz
		24	28	–	dB	699–960 MHz
		17	22	–	dB	1200–2170 MHz
		15	19	–	dB	2171–2690 MHz
		10	14	–	dB	3300–4200 MHz
		8	11	–	dB	4400–5000 MHz
		7	10	–	dB	5150–5925 MHz

<sup>1)</sup>On application board without any matching components.

# BGS14MPA9

## High Linearity, High Power SP4T RF Switch with MIPI 2.0



### RF Characteristics

**Table 7: RF Characteristics** at  $T_A = -40\text{ }^{\circ}\text{C} \dots 85\text{ }^{\circ}\text{C}$ ,  $P_{IN} = 0\text{ dBm}$ , Supply Voltage  $V_{IO} = 1.65 \dots 1.95\text{V}$ , unless otherwise specified

Parameter	Symbol	Values			Unit	Note / Test Condition
		Min.	Typ.	Max.		
<b>Isolation<sup>1)</sup></b>						
ANT_RF1 vs RFx	ISO	47	59	–	dB	50–698 MHz
		44	51	–	dB	699–960 MHz
		35	42	–	dB	1200–2170 MHz
		32	37	–	dB	2171–2690 MHz
		25	31	–	dB	3300–4200 MHz
		23	28	–	dB	4400–5000 MHz
		22	25	–	dB	5150–5925 MHz
<b>Isolation<sup>1)</sup></b>						
ANT_RF2 vs RFx	ISO	42	53	–	dB	50–698 MHz
		39	46	–	dB	699–960 MHz
		31	39	–	dB	1200–2170 MHz
		29	35	–	dB	2171–2690 MHz
		23	30	–	dB	3300–4200 MHz
		20	27	–	dB	4400–5000 MHz
		18	24	–	dB	5150–5925 MHz
<b>Isolation<sup>1)</sup></b>						
ANT_RF3 vs RFx	ISO	44	55	–	dB	50–698 MHz
		41	47	–	dB	699–960 MHz
		33	39	–	dB	1200–2170 MHz
		31	35	–	dB	2171–2690 MHz
		24	29	–	dB	3300–4200 MHz
		20	26	–	dB	4400–5000 MHz
		18	24	–	dB	5150–5925 MHz
<b>Isolation<sup>1)</sup></b>						
ANT_RF4 vs RFx	ISO	41	55	–	dB	50–698 MHz
		38	47	–	dB	699–960 MHz
		30	38	–	dB	1200–2170 MHz
		27	33	–	dB	2171–2690 MHz
		22	28	–	dB	3300–4200 MHz
		20	25	–	dB	4400–5000 MHz
		18	23	–	dB	5150–5925 MHz
<b>Isolation<sup>1)</sup></b>						
Port to Port	ISO	40	59	–	dB	50–698 MHz
		37	50	–	dB	699–960 MHz
		31	41	–	dB	1200–2170 MHz
		28	36	–	dB	2171–2690 MHz
		22	31	–	dB	3300–4200 MHz
		20	27	–	dB	4400–5000 MHz
		18	25	–	dB	5150–5925 MHz

<sup>1)</sup>On application board without any matching components.

# BGS14MPA9

## High Linearity, High Power SP4T RF Switch with MIPI 2.0



### RF Characteristics

**Table 8: RF Characteristics** at  $T_A = -40\text{ }^{\circ}\text{C} \dots 85\text{ }^{\circ}\text{C}$ ,  $P_{IN} = 0\text{ dBm}$ , Supply Voltage  $V_{IO} = 1.65 \dots 1.95\text{V}$ , unless otherwise specified

Parameter	Symbol	Values			Unit	Note / Test Condition
		Min.	Typ.	Max.		
<b>Harmonic Generation<sup>1)</sup></b>						
2 <sup>nd</sup> Harmonic	$P_{H2}$	-	-70	-60	dBm	35 dBm, 50 $\Omega$ , 600–915 MHz
		-	-67	-60	dBm	32 dBm, 50 $\Omega$ , 1447–1980 MHz
		-	-80	-75	dBm	26 dBm, 50 $\Omega$ , 2300–2690 MHz
3 <sup>rd</sup> Harmonic	$P_{H3}$	-	-60	-53	dBm	35 dBm, 50 $\Omega$ , 600–915 MHz
		-	-63	-59	dBm	32 dBm, 50 $\Omega$ , 1447–1980 MHz
		-	-80	-73	dBm	26 dBm, 50 $\Omega$ , 2300–2690 MHz
<b>Intermodulation Distortion<sup>1)</sup></b>						
2 <sup>nd</sup> order intermodulation	IMD2	-	-110	-85	dBm	IMD2 Testcases, Tab. 9
3 <sup>rd</sup> order intermodulation	IMD3	-	-95	-85	dBm	IMD3 Testcases, Tab. 10
<b>Intercept point<sup>1)</sup></b>						
2nd order intercept point	IIP2	120	136	-	dBm	IMD2 Testcases, Tab. 9
3rd order intercept point	IIP3	70	77	-	dBm	IMD3 Testcases, Tab. 10

<sup>1)</sup>On application board without any matching components.

**Table 9: IMD2 Testcases**

Band	In-Band Frequency [MHz]	Blocker Frequency 1 [MHz]	Blocker Power 1 [dBm]	Blocker Frequency 2 [MHz]	Blocker Power 2 [dBm]
Band 1	2140	1950	24	4090	-15
Band 2	1960	1880	24	3840	-15
Band 5	881.5	836.5	20	1718	20
Band 7	2652	2535	24	5187	-15
Band 8	942	897	20	1839	20

**Table 10: IMD3 Testcases**

Band	In-Band Frequency [MHz]	Blocker Frequency 1 [MHz]	Blocker Power 1 [dBm]	Blocker Frequency 2 [MHz]	Blocker Power 2 [dBm]
Band 1	2140	1950	20	1760	20
Band 2	1960	1880	20	1800	20
Band 5	881.5	836.5	20	791.5	20
Band 7	2655	2535	20	2415	20
Band 8	942	897	20	852	20
Band 1	2132	1732	24	1332	-15



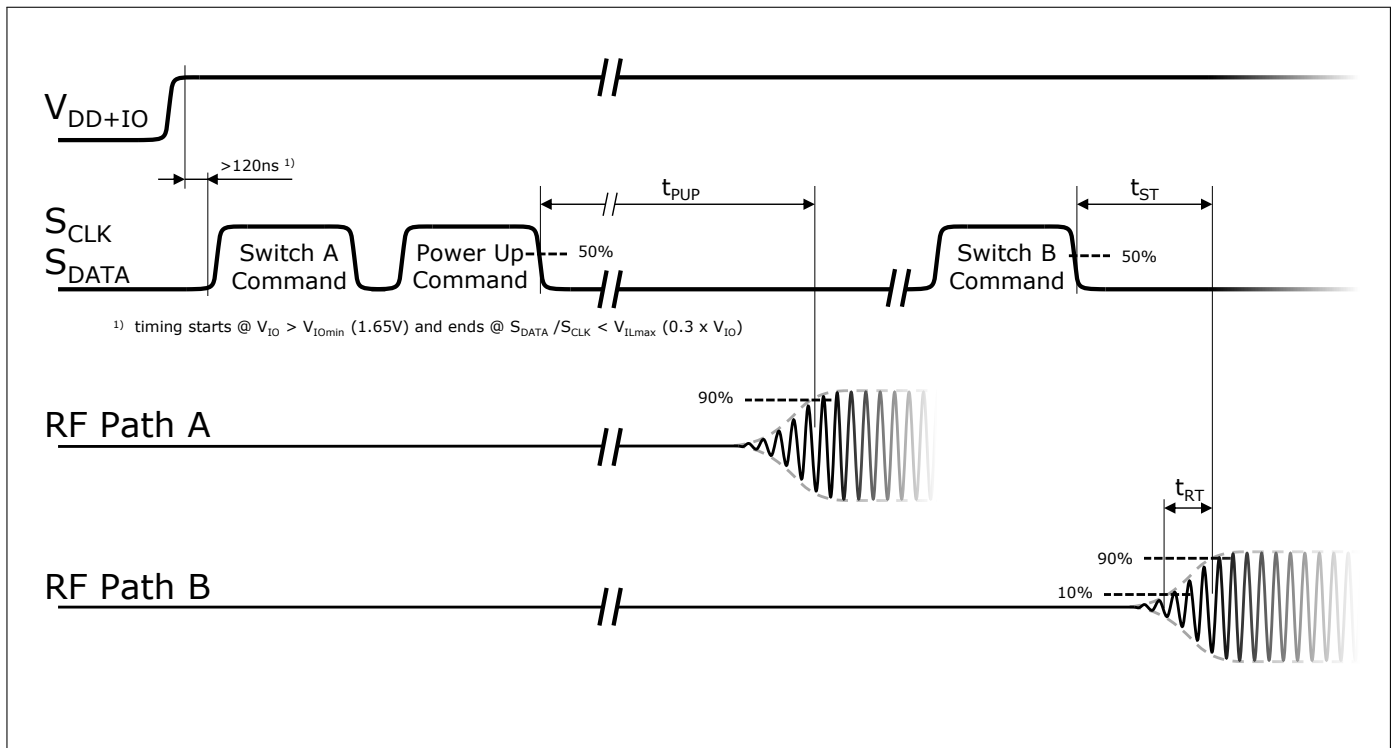
# BGS14MPA9

## High Linearity, High Power SP4T RF Switch with MIPI 2.0

### RF Characteristics

**Table 11: Switching Time** at  $T_A = 25\text{ }^\circ\text{C}$ ,  $P_{IN} = 0\text{ dBm}$ , Supply Voltage  $V_{IO} = 1.65\text{...}1.95\text{V}$ , unless otherwise specified

Parameter	Symbol	Values			Unit	Note / Test Condition
		Min.	Typ.	Max.		
<b>Switching Time</b>						
Power Up Settling Time	$t_{PUP}$	–	10	20	$\mu\text{s}$	After power down mode
Switching Time	$t_{ST}$	–	3.5	4.5	$\mu\text{s}$	50% last SCLK falling edge to 90% RF signal, ref. to Fig. 1
RF Rise Time	$t_{RT}$	–	–	1	$\mu\text{s}$	10 % to 90 % RF signal



**Figure 1: MIPI to RF time**

# BGS14MPA9

## High Linearity, High Power SP4T RF Switch with MIPI 2.0

### MIPI RFFE Specification

## 5 MIPI RFFE Specification

The MIPI RFFE interface is working in systems following the 'MIPI Alliance Specification for RF Front-End Control Interface version 2.0 - 25. September 2014' as well as the 'Qualcomm RFFE Vendor specification 80-N7876-1 Rev. T'

**Table 12: MIPI Features**

Feature	Supported	Comment
MIPI RFFE 1.10 and 2.0 standards	Yes	
Register 0 write command sequence	Yes	
Register read and write command sequence	Yes	
Extended register read and write command sequence	Yes	
Support for standard frequency range operations for SCLK	Yes	Up to 26 MHz for read and write
Support for extended frequency range operations for SCLK	Yes	Up to 52 MHz for write <sup>1)</sup>
Half speed read	Yes	
Full speed read	Yes	
Full speed write	Yes	
Programmable Group SID	Yes	
Trigger functionality	Yes	
Broadcast / GSID write to PM TRIG register	Yes	
Reset	Yes	Via VIO, PM TRIG or software register <sup>1)</sup>
Status / error sum register	Yes	
Extended product ID register	Yes	
Revision ID register	Yes	
Group SID register	Yes	
USID_Sel pin	No	External pin for changing USID is not implemented
SDATA / SCLK swap	Yes	0xA or 0xB depending on the SCLK/SDATA connection

<sup>1)</sup> only supported by MIPI 2.0 Standard

**Table 13: Startup Behavior**

Feature	State	Comment
Power status	Power down mode	Power down mode after start-up
Trigger function	Enabled	Enabled after start-up. Programmable via behavior control register

# BGS14MPA9

## High Linearity, High Power SP4T RF Switch with MIPI 2.0



### MIPI RFFE Specification

Table 14: Register Mapping, Table I

Register Address	Register Name	Data Bits	Function	Description	Default	Broadcast_ID Support	Trigger Support	R/W	
0x00	SW_CTRL0	6:0	SW_CTRL0	RF Switch Control	0	No	Yes, Trigger0/1/2	R/W	
0x1C	PM_TRIG	7	PWR_MODE(1), Operation Mode	0: Normal operation (ACTIVE)	1	Yes	No	R/W	
				1: Low Power Mode (LOW POWER)					
		6	PWR_MODE(0), State Bit Vector	0: No action (ACTIVE)	0				
				1: Powered Reset (STARTUP to ACTIVE to LOW POWER)					
		5	TRIGGER_MASK_2	0: Data masked (held in shadow REG)	0				No
				1: Data not masked (ready for transfer to active REG)					
		4	TRIGGER_MASK_1	0: Data masked (held in shadow REG)	0				
				1: Data not masked (ready for transfer to active REG)					
		3	TRIGGER_MASK_0	0: Data masked (held in shadow REG)	0				
1: Data not masked (ready for transfer to active REG)									
2	TRIGGER_2	0: No action (data held in shadow REG)	0	Yes					
		1: Data transferred to active REG							
1	TRIGGER_1	0: No action (data held in shadow REG)	0						
		1: Data transferred to active REG							
		0	0						
		0	0						
		0	0						
		0	0						
0x1D	PRODUCT_ID	7:0	PRODUCT_ID	This is a read-only register. However, during the programming of the USID a write command sequence is performed on this register, even though the write does not change its value.	0x1A	No	No	R	
0x1E	MAN_ID	7:0	MANUFACTURER_ID [7:0]	This is a read-only register. However, during the programming of the USID, a write command sequence is performed on this register, even though the write does not change its value.	0x1A	No	No	R	
0x1F	MAN_USID	7:6	RESERVED	Reserved for future use	00	No	No	R	
		5:4	MANUFACTURER_ID [9:8]	These bits are read-only. However, during the programming of the USID, a write command sequence is performed on this register even though the write does not change its value.	01				
		3:0	USID[3:0]	Programmable USID. Performing a write to this register using the described programming sequences will program the USID in devices supporting this feature. These bits store the USID of the device.	<b>USID:0xA</b> Nominal SCLK & SDATA <b>USID:0xB</b> Swap SCLK & SDATA	No	No	R/W	

# BGS14MPA9

## High Linearity, High Power SP4T RF Switch with MIPI 2.0



### MIPI RFFE Specification

**Table 15: Register Mapping, Table II**

Register Address	Register Name	Data Bits	Function	Description	Default	Broadcast_ID Support	Trigger Support	R/W
0x20	EXT_PROD_ID <sup>1)</sup>	7:0	EXT_PRODUCT_ID		0x00	No	No	R
0x21	REV_ID	7:4	MAIN_REVISION		0x4	No	No	R/W
		3:0	SUB_REVISION		0x0			
0x22	GSID <sup>1)</sup>	7:4	GSID0[3:0]	Primary Group Slave ID.	0x0	No	No	R/W
		3:0	RESERVED	Reserved for secondary Group Slave ID.	0x0			
0x23	UDR_RST	7	UDR_RST	Reset all configurable non-RFFE Reserved registers to default values. 0: Normal operation 1: Software reset	0	No	No	R/W
		6:0	RESERVED	Reserved for future use	0000000			
0x24	ERR_SUM <sup>1)</sup>	7	RESERVED	Reserved for future use	0	No	No	R
		6	COMMAND_FRAME_PAR_ERR	Command Sequence received with parity error – discard command.	0			
		5	COMMAND_LENGTH_ERR	Command length error.	0			
		4	ADDRESS_FRAME_PAR_ERR	Address frame with parity error.	0			
		3	DATA_FRAME_PAR_ERR	Data frame with parity error.	0			
		2	READ_UNUSED_REG	Read command to an invalid address.	0			
		1	WRITE_UNUSED_REG	Write command to an invalid address.	0			
0x2B	BUS_LD	7:4	RESERVED	Reserved for future use	0x0	No	No	R/W
		3:0	Set approximate bus load	0x0: 5 pF	0x7			
				0x1: 7 pF				
				0x2: 10 pF				
				0x3: 15 pF				
				0x4: 20pF				
				0x5: 30 pF				
				0x6: 40 pF				
				0x7: 50pF				
				0x8-0xF: Spare				

<sup>1)</sup>Only supported by MIPI 2.0 Standard

# BGS14MPA9

## High Linearity, High Power SP4T RF Switch with MIPI 2.0



### MIPI RFFE Specification

**Table 16: Modes of Operation (Truth Table, Register\_0)**

State	Value (Hex.)	Mode	REGISTER Bits							
			D7 <sup>1)</sup>	D6	D5	D4	D3	D2	D1	D0
1	0x00	ALL OFF (Isolation)	0	0	0	0	0	0	0	0
2	0x01	RF1 ON	0	0	0	0	0	0	0	1
3	0x02	RF2 ON	0	0	0	0	0	0	1	0
4	0x04	RF3 ON	0	0	0	0	0	1	0	0
5	0x08	RF4 ON	0	0	0	0	1	0	0	0
6	0x10	ALL OFF (Isolation) with 50 Ohm termination	0	0	0	1	0	0	0	0

<sup>1)</sup>Reserved

# BGS14MPA9

## High Linearity, High Power SP4T RF Switch with MIPI 2.0

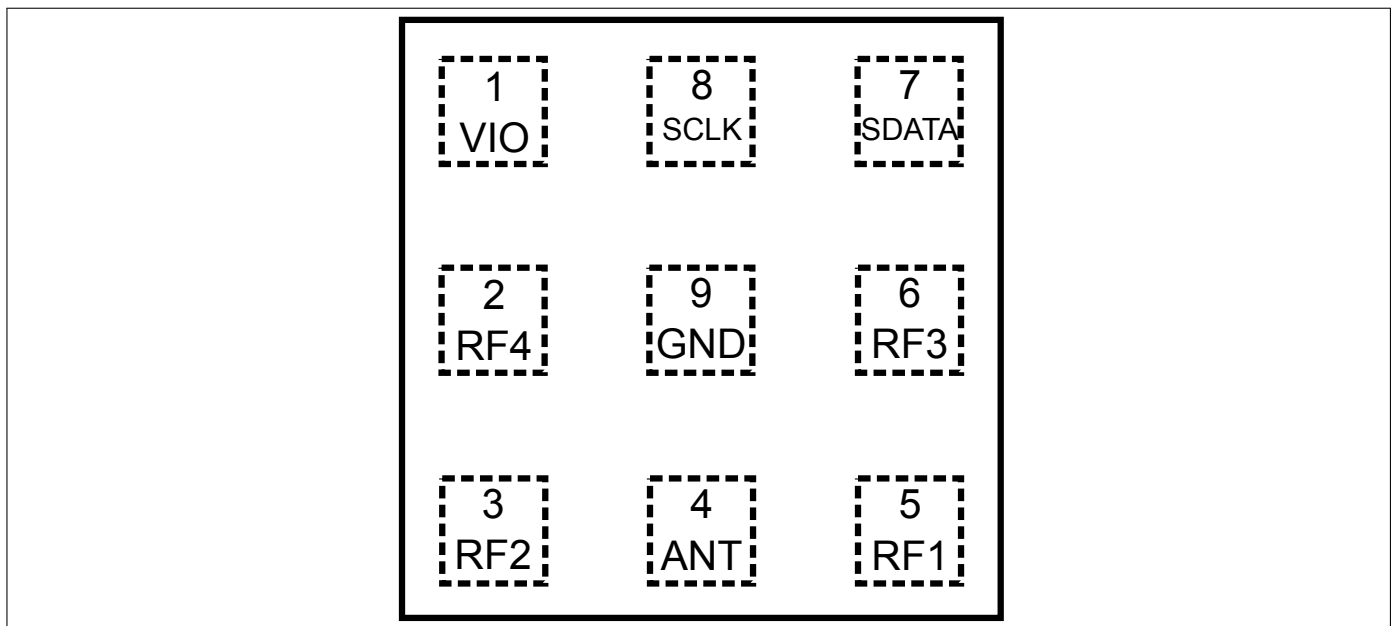
### Package related information

## 6 Package related information

The switch has a package size of 1100  $\mu\text{m}$  in x-dimension and 1100  $\mu\text{m}$  in y-dimension with a maximum deviation of  $\pm 50 \mu\text{m}$  in each dimension. Fig. 2 shows the footprint from top view. The definition of each pin can be found in Tab. 18.

**Table 17: Mechanical Data**

Parameter	Symbol	Value	Unit
Package X-Dimension	X	1100 $\pm$ 50	$\mu\text{m}$
Package Y-Dimension	Y	1100 $\pm$ 50	$\mu\text{m}$
Package Height	H	650 max	$\mu\text{m}$



**Figure 2:** Footprint, top view

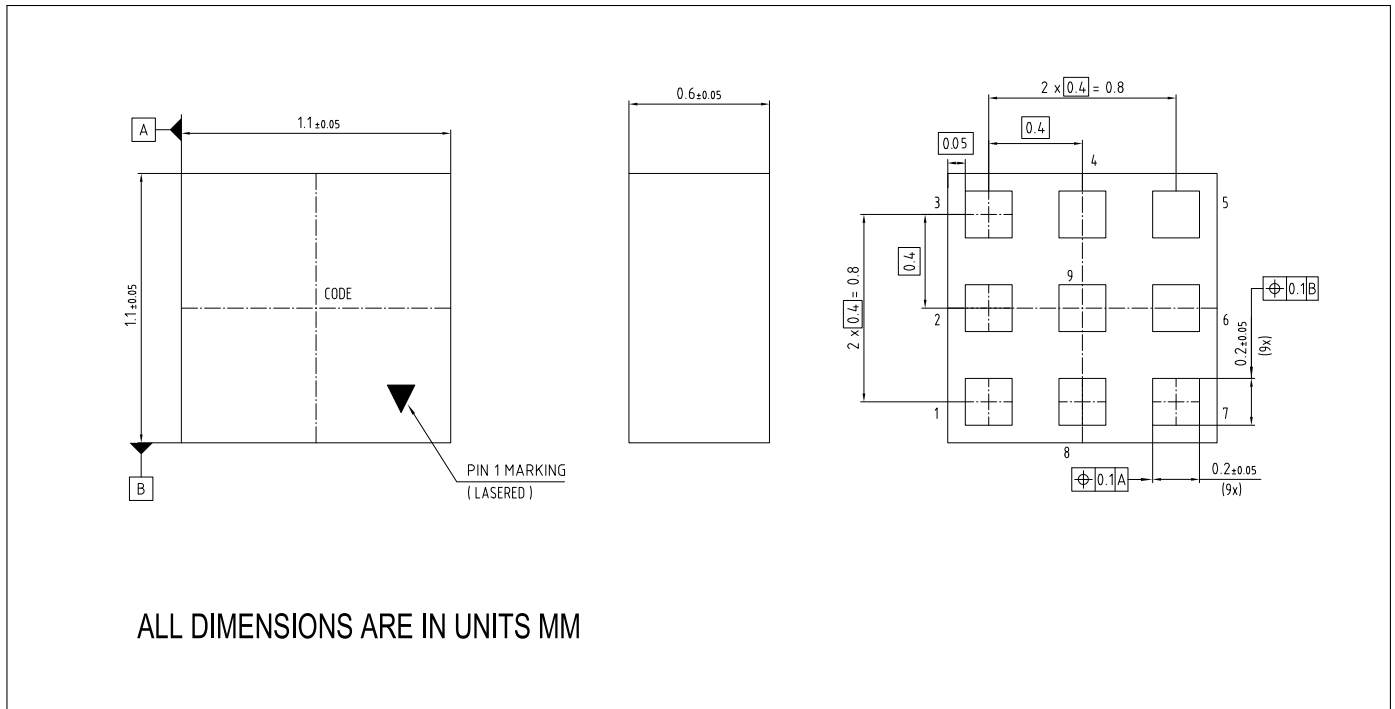
**Table 18: Pin Definition**

No.	Name	Pin Type	Function
1	VIO	Power	Power Supply
2	RF4	RF	Rx port
3	RF2	RF	Rx port
4	ANT	RF	RF Input
5	RF1	RF	Rx port
6	RF3	RF	Rx port
7	SDATA	I/O	MIPI RFFE
8	SCLK	I/O	MIPI RFFE Clock (Input)
9	GND	Ground	Ground

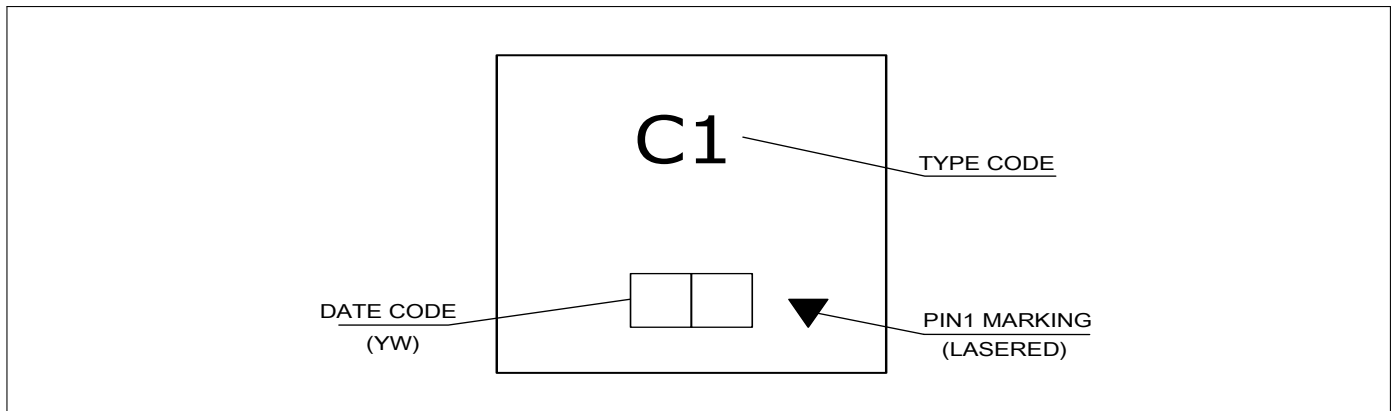
# BGS14MPA9

## High Linearity, High Power SP4T RF Switch with MIPI 2.0

### Package related information



**Figure 3:** Package Outline Drawing (top, side and bottom views)



**Figure 4:** Marking Specification (top view): Date code digits Y and W defined in Table 19/20

**Table 19: Year date code marking - digit "Y"**

Year	"Y"	Year	"Y"	Year	"Y"
2010	0	2020	0	2030	0
2011	1	2021	1	2031	1
2012	2	2022	2	2032	2
2013	3	2023	3	2033	3
2014	4	2024	4	2034	4
2015	5	2025	5	2035	5
2016	6	2026	6	2036	6
2017	7	2027	7	2037	7
2018	8	2028	8	2038	8
2019	9	2029	9	2039	9

**Table 20: Week date code marking - digit "W"**

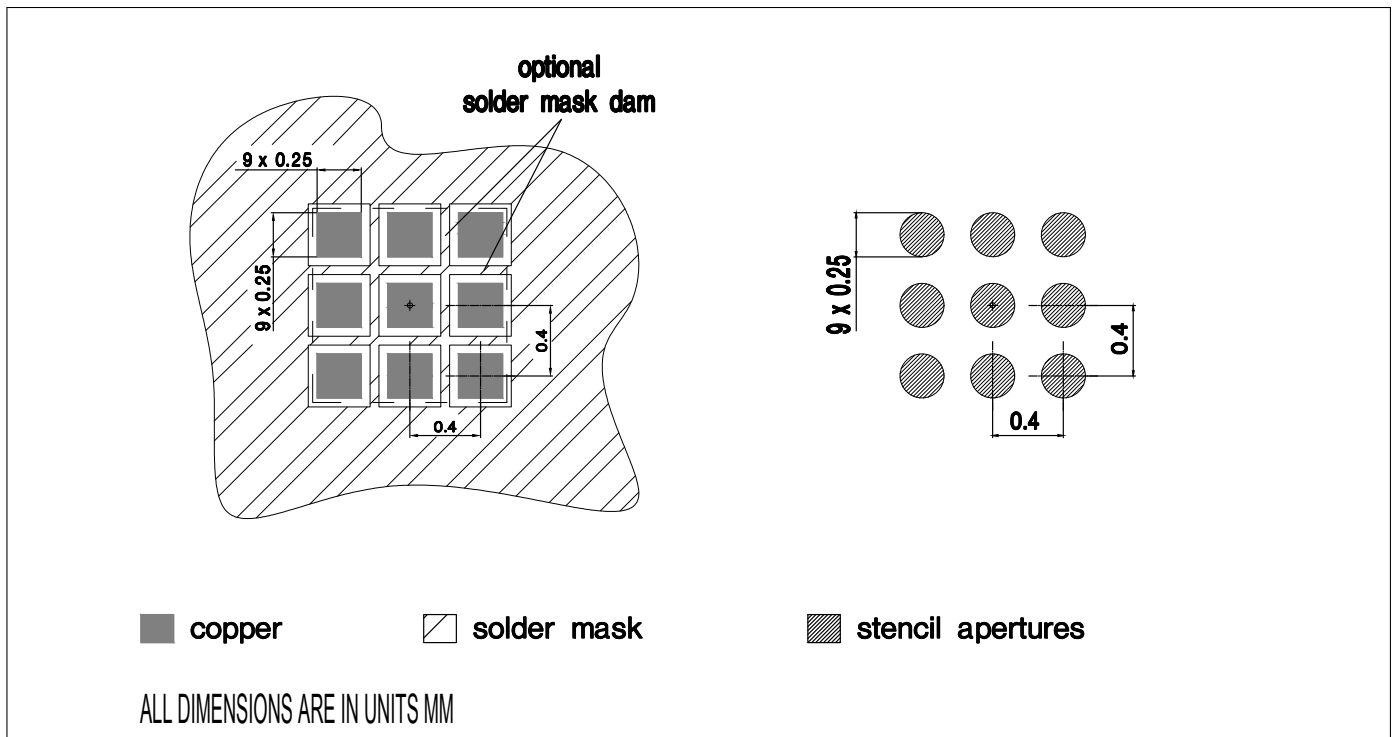
Week	"W"	Week	"W"	Week	"W"	Week	"W"	Week	"W"
1	A	12	N	23	4	34	h	45	v
2	B	13	P	24	5	35	j	46	x
3	C	14	Q	25	6	36	k	47	y
4	D	15	R	26	7	37	l	48	z
5	E	16	S	27	a	38	n	49	8
6	F	17	T	28	b	39	p	50	9
7	G	18	U	29	c	40	q	51	2
8	H	19	V	30	d	41	r	52	3
9	J	20	W	31	e	42	s		
10	K	21	Y	32	f	43	t		
11	L	22	Z	33	g	44	u		



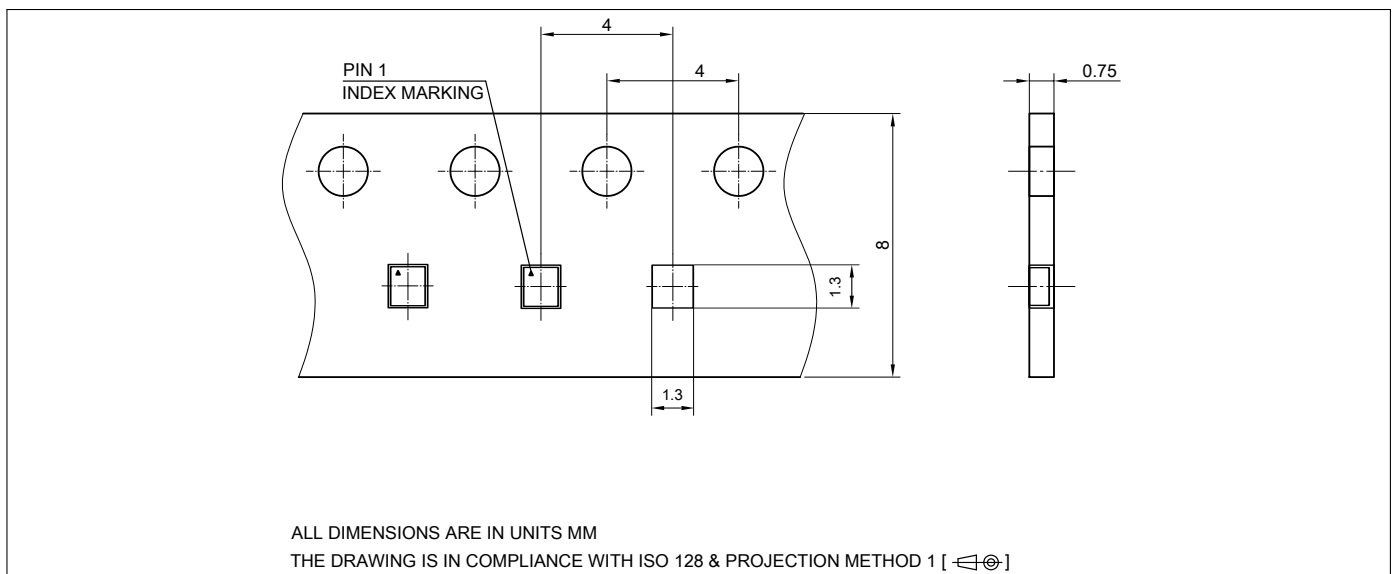
# BGS14MPA9

## High Linearity, High Power SP4T RF Switch with MIPI 2.0

### Package related information



**Figure 5:** Footprint Recommendation



**Figure 6:** Carrier Tape

<b>Revision History</b>	
<b>Page or Item</b>	<b>Subjects (major changes since previous revision)</b>
<b>Revision 2.1, 2018-11-21</b>	
	Remove NDA required

#### **Trademarks**

All referenced product or service names and trademarks are the property of their respective owners.

**Edition 2018-11-21**  
**Published by**  
**Infineon Technologies AG**  
**81726 Munich, Germany**

© 2018 Infineon Technologies AG.  
**All Rights Reserved.**

**Do you have a question about any aspect of this document?**

**Email: [erratum@infineon.com](mailto:erratum@infineon.com)**

#### **IMPORTANT NOTICE**

The information given in this document shall in no event be regarded as a guarantee of conditions or characteristics ("Beschaffungsgarantie"). With respect to any examples, hints or any typical values stated herein and/or any information regarding the application of the product, Infineon Technologies hereby disclaims any and all warranties and liabilities of any kind, including without limitation warranties of non-infringement of intellectual property rights of any third party. In addition, any information given in this document is subject to customer's compliance with its obligations stated in this document and any applicable legal requirements, norms and standards concerning customer's products and any use of the product of Infineon Technologies in customer's applications. The data contained in this document is exclusively intended for technically trained staff. It is the responsibility of customer's technical departments to evaluate the suitability of the product for the intended application and the completeness of the product information given in this document with respect to such application.

For further information on technology, delivery terms and conditions and prices, please contact the nearest Infineon Technologies Office ([www.infineon.com](http://www.infineon.com)).

#### **WARNINGS**

Due to technical requirements products may contain dangerous substances. For information on the types in question please contact your nearest Infineon Technologies office.

Except as otherwise explicitly approved by Infineon Technologies in a written document signed by authorized representatives of Infineon Technologies, Infineon Technologies products may not be used in any applications where a failure of the product or any consequences of the use thereof can reasonably be expected to result in personal injury.

## X-ON Electronics

Largest Supplier of Electrical and Electronic Components

*Click to view similar products for [RF Switch ICs](#) category:*

*Click to view products by [Infineon](#) manufacturer:*

Other Similar products are found below :

[MASW-008853-TR3000](#) [BGS13SN8E6327XTSA1](#) [BGSX210MA18E6327XTSA1](#) [SKY13446-374LF](#) [SW-227-PIN](#) [CG2185X2](#) [CG2415M6](#)  
[MA4AGSW5](#) [MA4SW410](#) [MA4SW410B-1](#) [MASW-002102-13580G](#) [MASW-008543-001SMB](#) [MASW-008955-TR3000](#) [TGS4307](#)  
[BGS1414MN20E6327XTSA1](#) [BGS1515MN20E6327XTSA1](#) [BGSA11GN10E6327XTSA1](#) [BGSX28MA18E6327XTSA1](#) [HMC199AMS8](#)  
[HMC986A](#) [SKY13374-397LF](#) [SKY13453-385LF](#) [CG2415M6-C2](#) [HMC986A-SX](#) [SW-314-PIN](#) [UPG2162T5N-E2-A](#) [SKY13416-485LF](#)  
[MASWSS0204TR-3000](#) [MASWSS0201TR](#) [MASWSS0181TR-3000](#) [MASW-007588-TR3000](#) [MASW-004103-13655P](#) [MASW-003102-](#)  
[13590G](#) [MASWSS0202TR-3000](#) [MA4SW310B-1](#) [MA4SW310](#) [MA4SW110](#) [SW-313-PIN](#) [SKY13321-360LF](#) [SKY13405-490LF](#) [BGSF](#)  
[18DM20 E6327](#) [SKY13415-485LF](#) [MMS008PP3](#) [BGS13PN10E6327XTSA1](#) [SKY13319-374LF](#) [BGS14PN10E6327XTSA1](#) [SKY12213-](#)  
[478LF](#) [SKY13404-466LF](#) [MASW-011060-TR0500](#) [SKYA21024](#)