



Please note that Cypress is an Infineon Technologies Company.

The document following this cover page is marked as “Cypress” document as this is the company that originally developed the product. Please note that Infineon will continue to offer the product to new and existing customers as part of the Infineon product portfolio.

Continuity of document content

The fact that Infineon offers the following product as part of the Infineon product portfolio does not lead to any changes to this document. Future revisions will occur when appropriate, and any changes will be set out on the document history page.

Continuity of ordering part numbers

Infineon continues to support existing part numbers. Please continue to use the ordering part numbers listed in the datasheet for ordering.



CY8CKIT-064S0S2-4343W

PSoC 64 Standard Secure – AWS Wi-Fi BT
Pioneer Kit Guide

Doc. # 002-30680 Rev. *C

Cypress Semiconductor
198 Champion Court
San Jose, CA 95134-1709
www.cypress.com

Copyrights

© Cypress Semiconductor Corporation, 2020–2021. This document is the property of Cypress Semiconductor Corporation and its subsidiaries (“Cypress”). This document, including any software or firmware included or referenced in this document (“Software”), is owned by Cypress under the intellectual property laws and treaties of the United States and other countries worldwide. Cypress reserves all rights under such laws and treaties and does not, except as specifically stated in this paragraph, grant any license under its patents, copyrights, trademarks, or other intellectual property rights. If the Software is not accompanied by a license agreement and you do not otherwise have a written agreement with Cypress governing the use of the Software, then Cypress hereby grants you a personal, non-exclusive, nontransferable license (without the right to sublicense) (1) under its copyright rights in the Software (a) for Software provided in source code form, to modify and reproduce the Software solely for use with Cypress hardware products, only internally within your organization, and (b) to distribute the Software in binary code form externally to end users (either directly or indirectly through resellers and distributors), solely for use on Cypress hardware product units, and (2) under those claims of Cypress’s patents that are infringed by the Software (as provided by Cypress, unmodified) to make, use, distribute, and import the Software solely for use with Cypress hardware products. Any other use, reproduction, modification, translation, or compilation of the Software is prohibited.

TO THE EXTENT PERMITTED BY APPLICABLE LAW, CYPRESS MAKES NO WARRANTY OF ANY KIND, EXPRESS OR IMPLIED, WITH REGARD TO THIS DOCUMENT OR ANY SOFTWARE OR ACCOMPANYING HARDWARE, INCLUDING, BUT NOT LIMITED TO, THE IMPLIED WARRANTIES OF MERCHANTABILITY AND FITNESS FOR A PARTICULAR PURPOSE. No computing device can be absolutely secure. Therefore, despite security measures implemented in Cypress hardware or software products, Cypress shall have no liability arising out of any security breach, such as unauthorized access to or use of a Cypress product. CYPRESS DOES NOT REPRESENT, WARRANT, OR GUARANTEE THAT CYPRESS PRODUCTS, OR SYSTEMS CREATED USING CYPRESS PRODUCTS, WILL BE FREE FROM CORRUPTION, ATTACK, VIRUSES, INTERFERENCE, HACKING, DATA LOSS OR THEFT, OR OTHER SECURITY INTRUSION (collectively, “Security Breach”). Cypress disclaims any liability relating to any Security Breach, and you shall and hereby do release Cypress from any claim, damage, or other liability arising from any Security Breach. In addition, the products described in these materials may contain design defects or errors known as errata which may cause the product to deviate from published specifications. To the extent permitted by applicable law, Cypress reserves the right to make changes to this document without further notice. Cypress does not assume any liability arising out of the application or use of any product or circuit described in this document. Any information provided in this document, including any sample design information or programming code, is provided only for reference purposes. It is the responsibility of the user of this document to properly design, program, and test the functionality and safety of any application made of this information and any resulting product. “High-Risk Device” means any device or system whose failure could cause personal injury, death, or property damage. Examples of High-Risk Devices are weapons, nuclear installations, surgical implants, and other medical devices. “Critical Component” means any component of a High-Risk Device whose failure to perform can be reasonably expected to cause, directly or indirectly, the failure of the High-Risk Device, or to affect its safety or effectiveness. Cypress is not liable, in whole or in part, and you shall and hereby do release Cypress from any claim, damage, or other liability arising from any use of a Cypress product as a Critical Component in a High-Risk Device. You shall indemnify and hold Cypress, its directors, officers, employees, agents, affiliates, distributors, and assigns harmless from and against all claims, costs, damages, and expenses, arising out of any claim, including claims for product liability, personal injury or death, or property damage arising from any use of a Cypress product as a Critical Component in a High-Risk Device. Cypress products are not intended or authorized for use as a Critical Component in any High-Risk Device except to the limited extent that (i) Cypress’s published data sheet for the product explicitly states Cypress has qualified the product for use in a specific High-Risk Device, or (ii) Cypress has given you advance written authorization to use the product as a Critical Component in the specific High-Risk Device and you have signed a separate indemnification agreement.

Cypress, the Cypress logo, Spansion, the Spansion logo, and combinations thereof, WICED, PSoC, CapSense, EZ-USB, F-RAM, and Traveo are trademarks or registered trademarks of Cypress in the United States and other countries. For a more complete list of Cypress trademarks, visit cypress.com. Other names and brands may be claimed as property of their respective owners.

Contents



Safety and Regulatory Compliance Information	5
1. Introduction	7
1.1 Kit Contents	8
1.2 Getting Started.....	9
1.3 Code Examples	9
1.4 Board Details	9
1.5 Additional Learning Resources	15
1.6 Technical Support.....	15
1.7 Documentation Conventions.....	15
1.8 Acronyms	16
2. Kit Operation	18
2.1 Theory of Operation.....	18
2.2 KitProg3: On-Board Programmer/Debugger.....	24
2.2.1 Programming and Debugging using ModusToolbox	24
2.2.2 USB-UART Bridge.....	25
2.2.3 USB-I2C Bridge.....	26
3. Provisioning Overview for PSoC 64 Standard Secure - AWS MCU's	27
3.1 Provisioning Overview	27
4. Hardware	29
4.1 Schematics	29
4.2 Hardware Functional Description.....	29
4.2.1 CY8CMOD-064S0S2-4343W (MOD1).....	29
4.2.2 PSoC 5LP-based KitProg3 (U2).....	34
4.2.3 Serial Interconnection between PSoC 5LP and PSoC 64 MCU	35
4.2.4 Serial Interconnection between PSoC 5LP and CYW4343W	36
4.2.5 Power Supply System	36
4.2.6 I/O Headers.....	40
4.2.7 CapSense Circuit	41
4.2.8 LEDs	42
4.2.9 Push Buttons.....	43
4.2.10 Cypress Quad SPI NOR Flash.....	43
4.2.11 Cypress Quad SPI F-RAM	44
4.2.12 microSD card section	44
4.2.13 PSoC 64 MCU USB Section	45
4.2.14 Potentiometer Section.....	45
4.3 PSoC 64 Standard Secure – AWS Wi-Fi BT Pioneer Kit Rework	46
4.3.1 CapSense Shield	46
4.3.2 ETM Trace Header.....	46

4.3.3	microSD Card Detect Multiplexing	46
4.3.4	microSD Card SPI Multiplexing	47
4.3.5	U.FL (UMCC) Connector for External Antenna	47
4.3.6	U.FL (UMCC) Connector for Antenna Diversity	47
4.4	Bill of Materials	48
4.5	Frequently Asked Questions	48

Revision History	50
-------------------------	-----------

Safety and Regulatory Compliance Information



Regulatory Compliance Information

Contains Transmitter Module FCC ID: VPYLB1DX and IC: 772C-LB1DX

This kit is intended to use for ENGINEERING DEVELOPMENT, DEMONSTRATION, OR EVALUATION PURPOSES ONLY and is not considered by Cypress Semiconductor to be a finished end product fit for general consumer use.

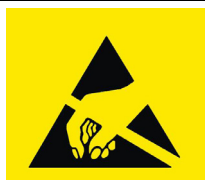
FCC NOTICE: This kit is designed to allow:

- (1) Product developers to evaluate electronic components, circuitry, or software associated with the kit to determine whether to incorporate such items in a finished product and
- (2) Software developers to write software applications for use with the end product.

This kit is not a finished product and when assembled may not be resold or otherwise marketed unless all required FCC equipment authorizations are first obtained. Operation is subject to the condition that this product not cause harmful interference to licensed radio stations and that this product accept harmful interference.

The kit contains [Murata's Type 1DX \(LBEE5KL1DX\)](#) certified module. Due to change in the antenna pattern/type and gain used in CY8CKIT-064S0S2-4343W PSoC[®] 64 Standard Secure – AWS Wi-Fi BT Pioneer Kit, class II permissive changes are required to recertify this kit. The radiated emission tests must be performed again to obtain a new FCC ID for this host kit. Most conducted RF test results may still be reused. Customer also needs to take their product through other FCC/ISED testing such as unintentional radiators (FCC sub part 15B) and any other required regional product certifications including but not limited to EU directives. Refer [FCC Regulatory Certification Guide](#) by Murata on information on pre-certified and reference certified module concepts and information on what additional test are required for FCC certification. Customer should consult a Telecommunication Certification Body (TCB) lab for guidance on other requirements for the device certification.

For more details on Murata Type 1DX module refer <https://wireless.murata.com/type-1dx.html>.



PSoC 64 Standard Secure – AWS Wi-Fi BT Pioneer Boards contain electrostatic discharge (ESD)- sensitive devices. Electrostatic charges readily accumulate on the human body and any equipment, which can cause a discharge without detection. Permanent damage may occur on devices subjected to high-energy discharges. Proper ESD precautions are recommended to avoid performance degradation or loss of functionality. Store unused PSoC 64 Standard Secure – AWS Wi-Fi BT Pioneer Boards in the protective shipping package.

**End-of-Life/Product Recycling**

The end-of-life cycle for this kit is five years from the date of manufacture mentioned on the back of the box. Contact your nearest recycler to discard the kit.

General Safety Instructions

ESD Protection

ESD can damage boards and associated components. Cypress recommends that you perform procedures only at an ESD workstation. If an ESD workstation is unavailable, use appropriate ESD protection by wearing an anti-static wrist strap attached to a grounded metal object.

Handling Boards

CY8CKIT-064S0S2-4343W PSoC 64 Standard Secure – AWS Wi-Fi BT Pioneer Kit is sensitive to ESD. Hold the board only by its edges. After removing the board from its box, place it on a grounded, static-free surface. Use a conductive foam pad, if available. Do not slide the board over any surface.

1. Introduction



Thank you for your interest in the CY8CKIT-064S0S2-4343W PSoC 64 Standard Secure – AWS Wi-Fi BT Pioneer Kit. The PSoC 64 Standard Secure – AWS Wi-Fi BT Pioneer Kit enables you to evaluate and develop your applications using the [PSoC 64 Standard Secure - AWS MCU](#) (hereafter called “PSoC 64 MCU”) and CYW4343W WICED Wi-Fi/BT combo device.

PSoC 64 MCU is Cypress’ latest, ultra-low-power PSoC specifically designed for Secure IoT products. PSoC 64 MCU is a true programmable embedded system-on-chip, integrating a 150-MHz Arm® Cortex®-M4 as the primary application, up to 1856 KB Flash and 920 KB SRAM, Secure Digital Host Controller (SDHC) supporting SD/SDIO/eMMC interfaces, CapSense® touch-sensing, and programmable analog and digital peripherals that allow higher flexibility, in-field tuning of the design, and faster time-to-market. In addition, it delivers a pre-configured, PSA level-2 compliant secure execution environment, which is custom-built to support the Amazon FreeRTOS ecosystem. PSoC 64 MCU also includes a rich execution environment for application development, with Amazon FreeRTOS support that communicates with the secure execution environment.

The PSoC 64 Standard Secure – AWS Wi-Fi BT Pioneer Board offers compatibility with Arduino™ shields. The board features a PSoC 64 MCU, and a CYW4343W Wi-Fi/Bluetooth combo module. Cypress CYW4343W is a highly integrated single-chip solution that includes a 2.4 GHz WLAN IEEE 802.11 b/g/n MAC/baseband/radio and Bluetooth 5.1 support. The WLAN section supports SDIO interface to the host MCU (PSoC 64 MCU), and the Bluetooth section supports high-speed 4-wire UART interface to the host MCU. In addition, the board features an onboard programmer/debugger (KitProg3), a 512-Mbit Quad SPI NOR flash, a 4-Mbit Quad SPI F-RAM, a micro-B connector for USB device interface, a 5-segment CapSense slider, two CapSense buttons, a microSD card holder, an RGB LED, two user LEDs, one potentiometer, and two push buttons. The board supports operating voltages of 1.8 V, 2.5 V and 3.3 V for PSoC 64 MCU.

You can use ModusToolbox® to develop and debug your PSoC 64 MCU projects. [ModusToolbox software](#) is a set of tools that enable you to integrate Cypress devices into your existing development methodology.

If you are new to PSoC 64 MCU and ModusToolbox IDE, refer to the application note [AN228571 - Getting Started with PSoC 6 MCU on ModusToolbox](#) to help you familiarize with the PSoC 64 MCU and help you create your own design using the ModusToolbox IDE.

1.1 Kit Contents

The CY8CKIT-064S0S2-4343W PSoC 64 Standard Secure – AWS Wi-Fi BT Pioneer Kit has the following contents, as shown in [Figure 1-1](#).

- PSoC 64 Standard Secure – AWS Wi-Fi BT Pioneer Board
- USB Type-A to Micro-B cable
- Four jumper wires (4 inches each)
- Two jumper wires (5 inches each)
- Quick Start Guide
- Promotional Code for \$10 in AWS Credits

Figure 1-1. Kit Contents



Inspect the contents of the kit; if you find any part missing, contact your nearest Cypress sales office for help: www.cypress.com/support.

1.2 Getting Started

This guide will help you get acquainted with the CY8CKIT-064S0S2-4343W PSoC 64 Standard Secure – AWS Wi-Fi BT Pioneer Kit. Software support for this kit is exclusively in the FreeRTOS ecosystem and will follow the flow specified by Amazon.

- [What is FreeRTOS?](#) describes a high level overview of the FreeRTOS architecture, console and development workflow.
- [Getting started with the Cypress CY8CKIT-064S0S2-4343W Kit](#) provides a step-by-step guide to start working with the PSoC 64 Standard Secure – AWS Wi-Fi BT Pioneer Kit and run a MQTT demo.
- The [Kit Operation chapter on page 18](#) describes the major features of the PSoC 64 Standard Secure – AWS Wi-Fi BT Pioneer Kit and functionalities such as programming, debugging, and the USB-UART and USB-I²C bridges.
- The [Provisioning Overview for PSoC 64 Standard Secure - AWS MCU's chapter on page 27](#) describes the high level provisioning flow.
- The [Hardware chapter on page 29](#) provides a detailed hardware description, methods to use the onboard NOR flash, kit schematics, and the bill of materials (BOM).

1.3 Code Examples

A list of supported code examples can be found in the [Build and Run](#) section of the getting started document under **Running other demos**.

1.4 Board Details

The PSoC 64 Standard Secure – AWS Wi-Fi BT Pioneer Board has the following features:

- CY8CMOD-064S0S2-4343W carrier module that contains:
 - PSoC 64 MCU (CYS0644ABZI-S2D44)
 - Murata Type 1DX ultra-small 2.4-GHz WLAN and Bluetooth functionality module based on CYW4343W
- 512-Mbit external Quad SPI NOR Flash that provides a fast, expandable memory for data and code
- 4-Mbit Quad SPI ferroelectric random-access memory (F-RAM)
- KitProg3 onboard SWD programmer/debugger with USB-UART and USB-I2C bridge functionality
- CapSense touch sensing slider (5 elements) and two buttons. The slider and buttons are capable of using self-capacitance (CSD) or mutual-capacitance (CSX) sensing methods.
- A micro-B connector for USB device interface for PSoC 64 MCU
- 1.8 V, 2.5 V and 3.3 V operation of PSoC 64 MCU is supported
- Two user LEDs, an RGB LED, two user buttons, and a reset button for PSoC 64 MCU
- A potentiometer
- One Mode selection button and one Status LED for KitProg3
- A microSD Card holder

Figure 1-2 shows the pinout of the PSoC 64 Standard Secure – AWS Wi-Fi BT Pioneer Board.

Figure 1-2. PSoC 64 Standard Secure – AWS Wi-Fi BT Pioneer Board Pinout

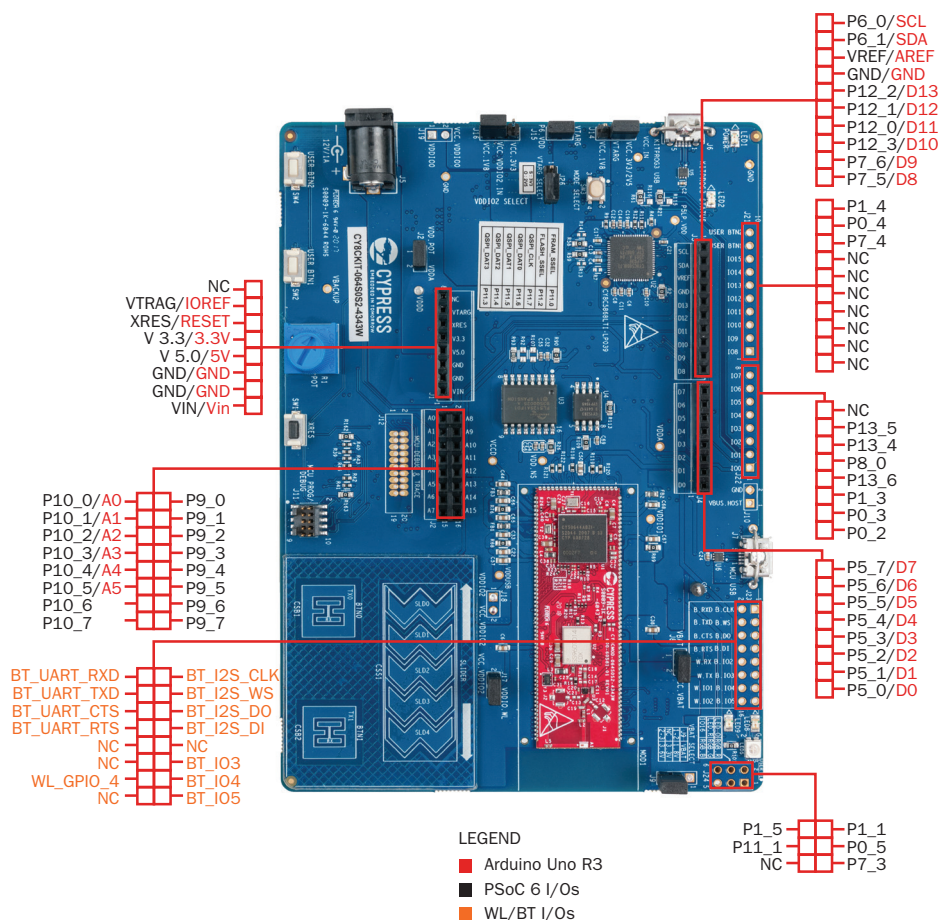


Table 1-1. PSoC 64 Standard Secure – AWS Wi-Fi BT Pioneer Board Pinout

Pin	Primary On-board Function	Secondary On-board Function	Connection details
PSoC 64 MCU Pins			
XRES	Hardware Reset	–	–
P0[2]	GPIO on non-Arduino header IO0 (J22.1)	–	–
P0[3]	GPIO on non-Arduino header IO1 (J22.2)	–	–
P0[4]	User button with Hibernate wakeup capability	GPIO on non-Arduino header (J21.9)	–
P0[5]	RGB green LED (LED5)	GPIO on non-Arduino header (J24.3)	–

Table 1-1. PSoC 64 Standard Secure – AWS Wi-Fi BT Pioneer Board Pinout (*continued*)

Pin	Primary On-board Function	Secondary On-board Function	Connection details
P1[0]	CapSense RX for buttons and CapSense TX for sliders	GPIO on non-Arduino header IO7 (J22.8)	Remove R33 to disconnect from CapSense. Populate R145 to connect to GPIO on non-Arduino header.
P1[1]	RGB red LED (LED5)	GPIO on non-Arduino header (J24.1)	–
P1[2]	USB Host Enable	–	–
P1[3]	GPIO on non-Arduino header IO2 (J22.3)	–	–
P1[4]	User button with Hibernate wakeup capability	GPIO on non-Arduino header (J21.10)	–
P1[5]	Orange user LED (LED8)	GPIO on non-Arduino header (J24.2)	–
P5[0]	UART_RX	Arduino D0 (J4.1)	Remove R21 to disconnect from KitProg3. Populate R115 to connect to GPIO on non-Arduino header.
P5[1]	UART_TX	Arduino D1 (J4.2)	Remove R61 to disconnect from KitProg3. Populate R116 to connect to GPIO on non-Arduino header.
P5[2]	UART_RTS	Arduino D2 (J4.3)	Remove R19 to disconnect from KitProg3.
P5[3]	UART_CTS	Arduino D3 (J4.4)	Remove R18 to disconnect from KitProg3.
P5[4]	Arduino D4 (J4.5)	–	–
P5[5]	Arduino D5 (J4.6)	–	–
P5[6]	Arduino D6 (J4.7)	–	–
P5[7]	Arduino D7 (J4.8)	–	–
P6[0]	I2C SCL	Arduino (J3.10)	Remove R58 to disconnect from KitProg3.
P6[1]	I2C SDA	Arduino (J3.9)	Remove R59 to disconnect from KitProg3.
P6[2]	USB VBUS Detect	–	–
P6[3]	USB Interrupt	–	–
P6[4]	PSoC 64 MCU JTAG TDO/SWD SWO	–	–
P6[5]	PSoC 64 MCU JTAG TDI	–	–
P6[6]	PSoC 64 MCU JTAG TMS/SWD SWDIO	–	–
P6[7]	PSoC 64 MCU JTAG TCK/SWD SWCLK	–	–
P7[0]	ETM Clock	–	–
P7[1]	CapSense CINTA	–	–
P7[2]	CapSense CINTB	–	–

Table 1-1. PSoC 64 Standard Secure – AWS Wi-Fi BT Pioneer Board Pinout (*continued*)

Pin	Primary On-board Function	Secondary On-board Function	Connection details
P7[3]	RGB blue LED (LED5)	GPIO on non-Arduino header (J24.5)	–
P7[4]	GPIO on non-Arduino header IO15 (J21.8)	CapSense Shield	Remove R155 to disconnect from IO15 (J21.8). Populate R38 to connect to CapSense Shield.
P7[5]	Arduino D8 (J3.1)	–	–
P7[6]	Arduino D9 (J3.2)	–	–
P7[7]	CapSense CMOD	–	–
P8[0]	GPIO on non-Arduino header IO4 (J22.5)	–	–
P8[1]	CapSense Button0 TX	GPIO on non-Arduino header IO8 (J21.1)	Remove R24 to disconnect from CapSense. Populate R144 to connect to GPIO on non-Arduino header.
P8[2]	CapSense Button1 TX	GPIO on non-Arduino header IO9 (J21.2)	Remove R25 to disconnect from CapSense. Populate R143 to connect to GPIO on non-Arduino header.
P8[3]	CapSense Slider0 RX	GPIO on non-Arduino header IO10 (J21.3)	Remove R28 to disconnect from CapSense. Populate R142 to connect to GPIO on non-Arduino header.
P8[4]	CapSense Slider1 RX	GPIO on non-Arduino header IO11 (J21.4)	Remove R29 to disconnect from CapSense. Populate R152 to connect to GPIO on non-Arduino header.
P8[5]	CapSense Slider2 RX	GPIO on non-Arduino header IO12 (J21.5)	Remove R30 to disconnect from CapSense. Populate R153 to connect to GPIO on non-Arduino header.
P8[6]	CapSense Slider3 RX	GPIO on non-Arduino header IO13 (J21.6)	Remove R31 to disconnect from CapSense. Populate R151 to connect to GPIO on non-Arduino header.
P8[7]	CapSense Slider4 RX	GPIO on non-Arduino header IO14 (J21.7)	Remove R32 to disconnect from CapSense. Populate R149 to connect to GPIO on non-Arduino header.
P9[0]	Extended Arduino A8 (J2.2)	ETM TRACEDATA[3]	Remove R125 to disconnect from J2 header. Populate R126 to connect to ETM Trace header.
P9[1]	Extended Arduino A9 (J2.4)	ETM TRACEDATA[2]	Remove R124 to disconnect from J2 header. Populate R127 to connect to ETM Trace header.
P9[2]	Extended Arduino A10 (J2.6)	ETM TRACEDATA[1]	Remove R123 to disconnect from J2 header. Populate R128 to connect to ETM Trace header.

Table 1-1. PSoC 64 Standard Secure – AWS Wi-Fi BT Pioneer Board Pinout (*continued*)

Pin	Primary On-board Function	Secondary On-board Function	Connection details
P9[3]	Extended Arduino A11 (J2.8)	ETM TRACEDATA[0]	Remove R117 to disconnect from J2 header. Populate R129 to connect to ETM Trace header.
P9[4]	Extended Arduino A12 (J2.10)	–	–
P9[5]	Extended Arduino A13 (J2.12)	–	–
P9[6]	Extended Arduino A14 (J2.14)	–	–
P9[7]	Extended Arduino A15 (J2.16)	–	–
P10[0]	Arduino A0 (J2.1)	–	–
P10[1]	Arduino A1 (J2.3)	–	–
P10[2]	Arduino A2 (J2.5)	–	–
P10[3]	Arduino A3 (J2.7)	–	–
P10[4]	Arduino A4 (J2.9)	–	–
P10[5]	Arduino A5 (J2.11)	–	–
P10[6]	Potentiometer output	Extended Arduino A6 (J2.13)	Remove R51 to disconnect from potentiometer.
P10[7]	Extended Arduino A7 (J2.15)	–	–
P11[0]	QSPI F-RAM CS	–	–
P11[1]	Red user LED (LED9)	GPIO on non-Arduino header (J24.4)	–
P11[2]	QSPI Flash CS	–	–
P11[3:6]	QSPI Flash IO[3:0]	–	–
P11[7]	QSPI Flash CLK	–	–
P12[0]	Arduino header D11 (J3.4)	–	–
P12[1]	Arduino header D12 (J3.5)	–	–
P12[2]	Arduino header D13 (J3.6)	–	–
P12[3]	Arduino header D10 (J3.3)	–	–
P12[4]	microSD card CMD	–	Remove R168 to disconnect from microSD card connector.
P12[5]	microSD card CLK	–	Remove R166 to disconnect from microSD card connector.
P12[6]	ECO Crystal XIN	–	–
P12[7]	ECO Crystal XOUT	–	–

Table 1-1. PSoC 64 Standard Secure – AWS Wi-Fi BT Pioneer Board Pinout (*continued*)

Pin	Primary On-board Function	Secondary On-board Function	Connection details
P13[0]	microSD card DAT0	microSD card MOSI	Remove R164 to disconnect microSD port (J20.7) from SDIO. Populate R169 to connect microSD (J20.3) to SPI.
P13[1]	microSD card DAT1	microSD card MISO	Remove R163 to disconnect microSD port (J20.8) from SDIO. Populate R165 to connect microSD (J20.7) to SPI.
P13[2]	microSD card DAT2	microSD card SPI CLK	Remove R162 to disconnect microSD port (J20.1) from SDIO. Populate R167 to connect microSD (J20.5) to SPI.
P13[3]	microSD card DAT3	microSD card SPI SSEL	–
P13[4]	GPIO on non-Arduino header IO5 (J22.6)	–	–
P13[5]	GPIO on non-Arduino header IO6 (J22.7)	–	–
P13[6]	GPIO on non-Arduino header IO3 (J22.4)	–	–
P13[7]	microSD card chip detect	GPIO on non-Arduino header IO16 (J24.6)	Remove R161 to disconnect from microSD card detect. Populate R160 to connect to IO16 (J24.6).
CYW4343W Pins			
BT_UART_TXD	UART interface with Host MCU (PSoC 64 MCU)	–	–
BT_UART_RXD	UART interface with Host MCU (PSoC 64 MCU)	–	–
BT_UART_CTS	UART interface with Host MCU (PSoC 64 MCU)	–	–
BT_UART_RTS	UART interface with Host MCU (PSoC 64 MCU)	–	–
BT_I2S_CLK	I2S serial clock	–	–
BT_I2S_WS	I2S serial word select	–	–
BT_I2S_DO	I2S serial data out	–	–
BT_I2S_DI	I2S serial data in	–	–

Table 1-1. PSoC 64 Standard Secure – AWS Wi-Fi BT Pioneer Board Pinout (*continued*)

Pin	Primary On-board Function	Secondary On-board Function	Connection details
BT_IO_3	Bluetooth general-purpose I/O	–	–
BT_IO_4	Bluetooth general-purpose I/O	–	–
BT_IO_5	Bluetooth general-purpose I/O	–	–
WL_GPIO_4	Programmable GPIO	–	–

1.5 Additional Learning Resources

Cypress provides a wealth of data at www.cypress.com/psoc64 to help you to select the right PSoC device for your design and to help you to quickly and effectively integrate the device into your design. Additional information on the cloud platform is available at [Amazon AWS IoT Core](#).

1.6 Technical Support

For assistance, visit [Cypress Support](#) or contact customer support at +1(800) 541-4736 Ext. 3 (in the USA) or +1 (408) 943-2600 Ext. 3 (International).

You can also use the following support resources if you need quick assistance:

- [Self-help \(Technical Documents\)](#)
- [Local Sales Office Locations](#)

1.7 Documentation Conventions

Table 1-2. Document Conventions for Guides

Convention	Usage
Courier New	Displays file locations, user entered text, and source code: C:\...\cd\icc\
<i>Italics</i>	Displays file names and reference documentation: Read about the <i>sourcefile.hex</i> file in the <i>PSoC Creator User Guide</i> .
File > Open	Represents menu paths: File > Open > New Project
Bold	Displays commands, menu paths, and icon names in procedures: Click the File icon and then click Open .
Times New Roman	Displays an equation: $2 + 2 = 4$
Text in gray boxes	Describes cautions or unique functionality of the product.

1.8 Acronyms

Table 1-3. Acronyms Used in this Document

Acronym	Definition
ADC	Analog-to-Digital Converter
BLE	Bluetooth Low Energy
BOM	Bill of Materials
BT	Bluetooth
CINT	Integration Capacitor
CMOD	Modulator Capacitor
CPU	Central Processing Unit
CSD	CapSense Sigma Delta
CSX	CapSense Crosspoint
DC	Direct Current
Del-Sig	Delta-Sigma
DMA	Direct Memory Access
ECO	External Crystal Oscillator
ESD	Electrostatic Discharge
ETM	Embedded Trace Macrocell
GPIO	General-Purpose Input/Output
HID	Human Interface Device
I2C	Inter-Integrated Circuit
I2S	Inter-IC Sound
IC	Integrated Circuit
IDE	Integrated Development Environment
IoT	Internet of Things
LED	Light-emitting Diode
LPO	Low Power Oscillator
PC	Personal Computer
PDM	Pulse Density Modulation
PSoC	Programmable System-on-Chip
PWM	Pulse Width Modulation
QSPI	Quad Serial Peripheral Interface
SAR	Successive Approximation Register
SDHC	Secure Digital Host Controller
SDIO	Secure Digital Input Output
SMIF	Serial Memory Interface
SPI	Serial Peripheral Interface
SRAM	Serial Random Access Memory

Table 1-3. Acronyms Used in this Document (*continued*)

Acronym	Definition
SWD	Serial Wire Debug
UART	Universal Asynchronous Receiver Transmitter
USB	Universal Serial Bus
WCO	Watch Crystal Oscillator

2. Kit Operation

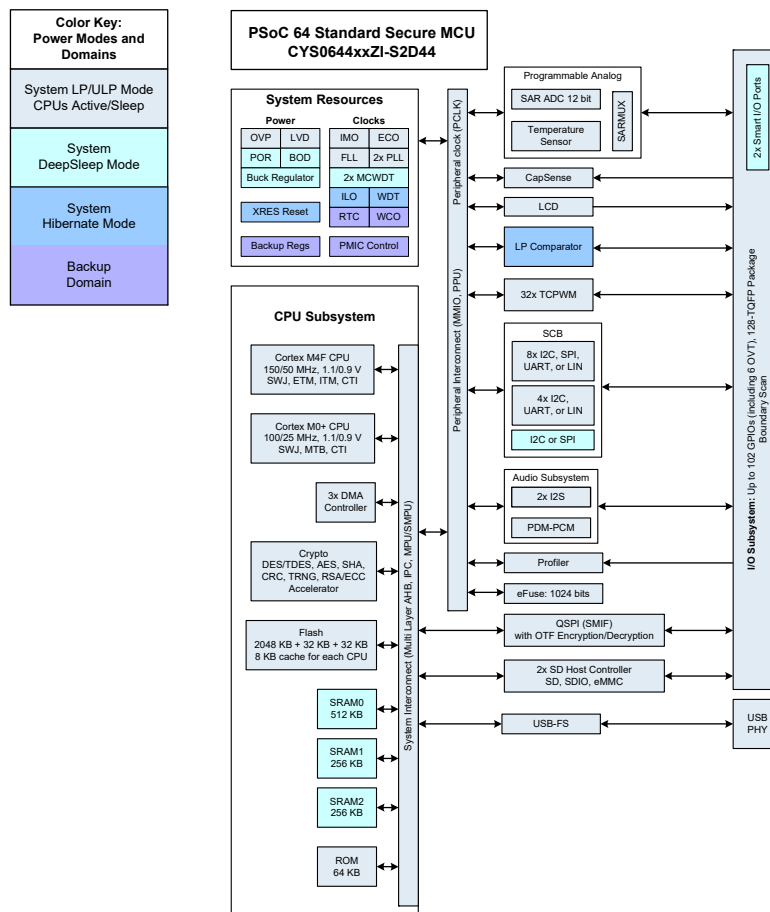


This chapter introduces you to various features of the PSoC 64 Standard Secure – AWS Wi-Fi BT Pioneer Board, including the theory of operation and the onboard KitProg3 programming and debugging functionality, USB-UART and USB-I2C bridges.

2.1 Theory of Operation

The PSoC 64 Standard Secure – AWS Wi-Fi BT Pioneer Board is built around a PSoC 64 MCU. [Figure 2-1](#) shows the block diagram of the PSoC 64 MCU device used on the board. For details of device features, see the device datasheet.

Figure 2-1. PSoC 64 MCU Block Diagram



Note: PSoC 64 MCU has up to 1024 KB of SRAM; however, 104 KB is reserved for system usage, leaving 920 KB for applications. Similarly, it has up to 2048 KB of application Flash out of which only 1856 KB is usable.

Figure 2-2 shows the block diagram of the CY8CMOD-064S0S2-4343W Carrier Module.

Figure 2-3 shows the block diagram of the CYW9-BASE-01 Pioneer Board.

Figure 2-2. Block Diagram of CY8CMOD-064S0S2-4343W (Carrier Module)

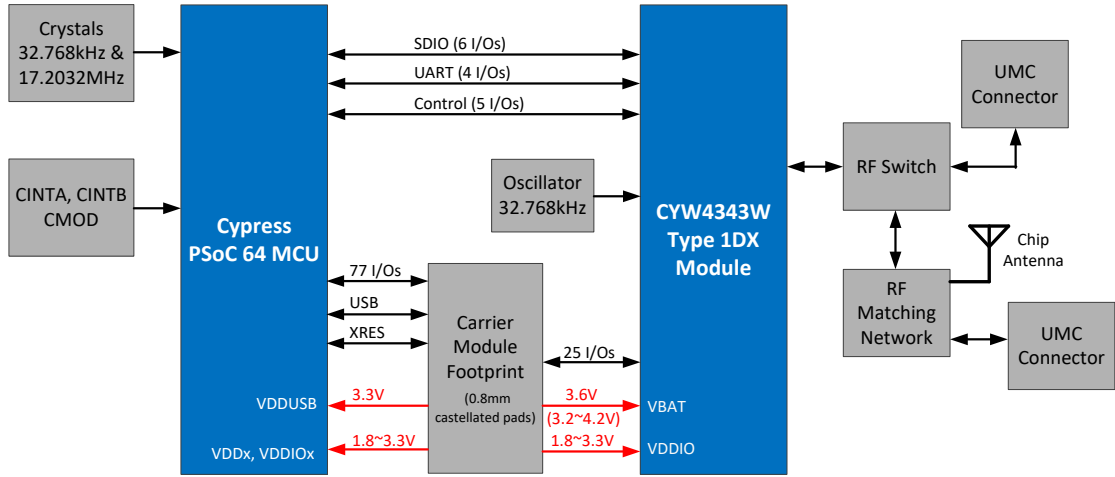
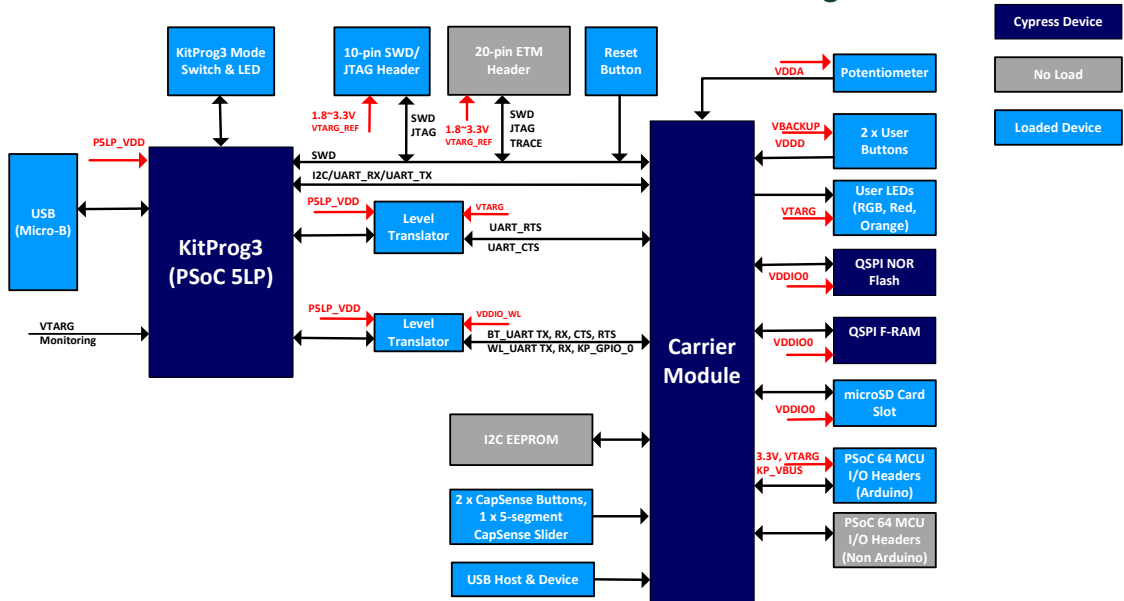


Figure 2-3. Block Diagram of CYW9-BASE-01 Pioneer Board

CYW9-BASE-01 Architecture Block Diagram



The CY8CKIT-064S0S2-4343W PSoC 64 Standard Secure – AWS Wi-Fi BT Pioneer Kit comes with the PSoC 64 Standard Secure – AWS Wi-Fi BT Pioneer Board. [Figure 2-4](#) and [Figure 2-5](#) show the markup of the Pioneer Board.

Figure 2-4. PSoC 64 Standard Secure – AWS Wi-Fi BT Pioneer Board - Top View

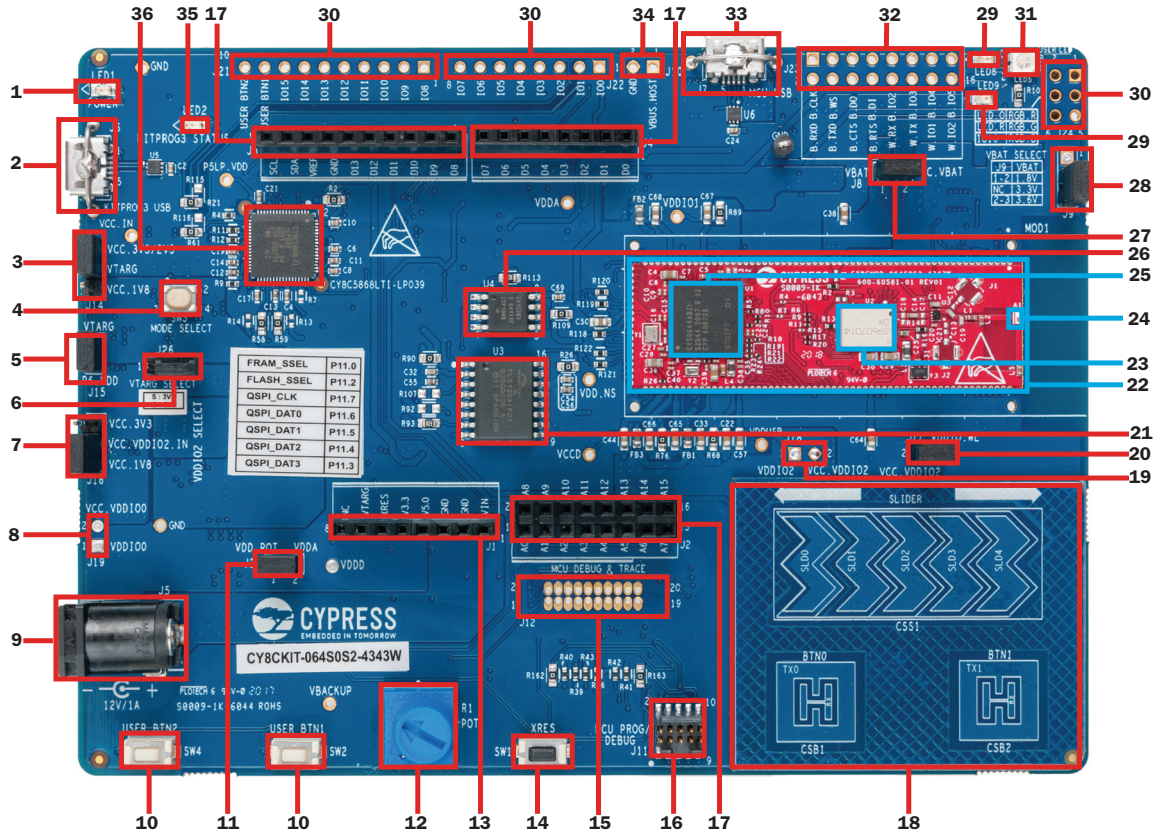
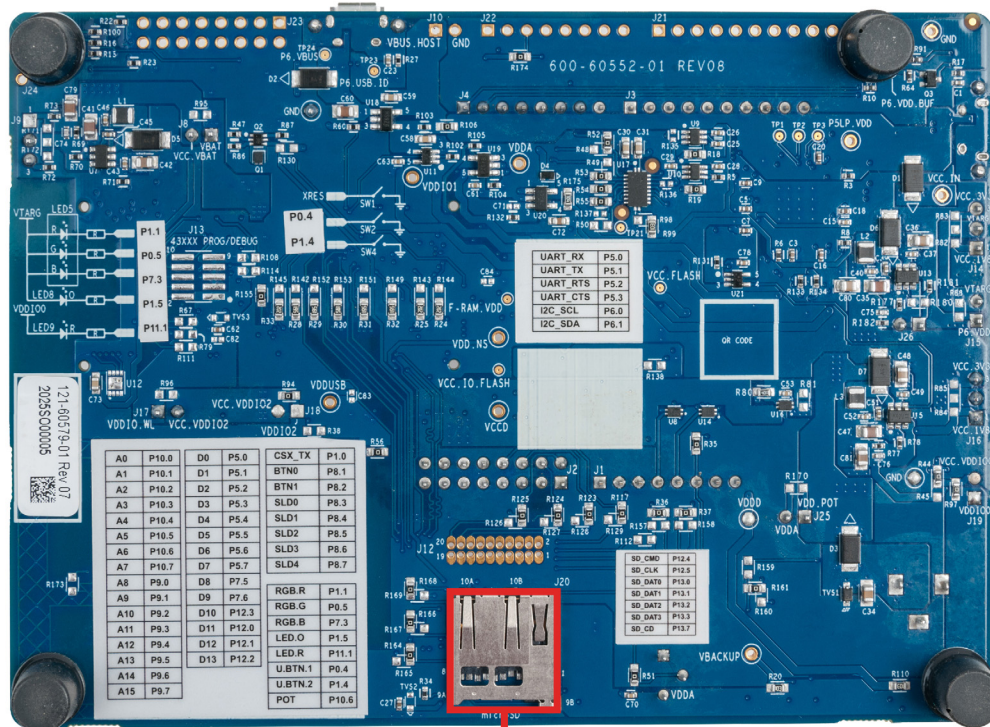


Figure 2-5. PSoC 64 Standard Secure – AWS Wi-Fi BT Pioneer Board - Bottom View



37

The PSoC 64 Standard Secure – AWS Wi-Fi BT Pioneer Board has the following peripherals:

1. **Power LED (LED1):** This Yellow LED indicates the status of power supplied to board.
2. **KitProg3 USB connector (J6):** The USB cable provided along with the PSoC 64 Standard Secure – AWS Wi-Fi BT Pioneer Board connects between this USB connector and the PC to use the KitProg3 onboard programmer and debugger and to provide power to the board.
3. **PSoC 64 MCU VDD power selection jumper (J14):** This jumper is used to select the PSoC 64 MCU VDD supply voltage between 1.8 V and 3.3 V. During provisioning, this jumper must be in the 3.3 V position and J26 must be removed. This provides 2.5 V to the PSoC 64 VDD which is required to blow eFuses.
4. **KitProg3 programming mode selection button (SW3):** This button can be used to switch between various modes of operation of KitProg3 (CMSIS-DAP BULK, CMSIS-DAP HID or DAPLink modes). For more details, see the [KitProg3 User Guide](#).
5. **PSoC 64 MCU VDD current measurement jumper (J15):** An ammeter can be connected to this jumper to measure the current consumed by the PSoC 64 MCU VDD power domain.
6. **PSoC 64 MCU VDD select jumper (J26):** This jumper is used to change VCC_3V3 to 2.5 V. When jumper shunt is present, VCC_3V3 is 3.3 V and when removed, it is 2.5 V. This is needed for provisioning. The kit is not intended to be used at 2.5 V during normal operation.
7. **PSoC 64 MCU VDDIO2 and CYW4343W VDDIO power selection jumper (J16):** This jumper is used to select the PSoC 64 MCU VDDIO2 and CYW4343W VDDIO supply voltage between 1.8 V and 3.3 V. The default value is 1.8 V.
8. **PSoC 64 MCU VDDIO0 current measurement jumper (J19):** An ammeter can be connected to this jumper to measure the current consumed by the PSoC 64 MCU VDDIO0 power domain. This is not loaded by default.

9. **External power supply VIN connector (J5):** This connector connects an external DC power supply input to the onboard regulators.
10. **PSoC 64 MCU user buttons (SW2 and SW4):** These buttons can be used to provide an input to PSoC 64 MCU. Note that by default these buttons connect the PSoC 64 MCU pin to ground when pressed, so you need to configure the PSoC 64 MCU pin as a digital input with resistive pull-up for detecting the button press. These buttons can also provide a wake-up source from low-power modes of the device.
11. **Potentiometer connection jumper (J25):** This jumper connects the PSoC 64 MCU VDDA to the potentiometer. Remove this jumper when measuring the PSoC 64 MCU power consumption.
12. **Potentiometer (R1):** This is a 10k Ohm potentiometer connected to PSoC 64 MCU pin P10[6]. It can be used to simulate a sensor output to the PSoC 64 MCU.
13. **Arduino-compatible power header (J1):** This header powers the Arduino shields. It also has a provision to power the kit through the VIN input.
14. **PSoC 64 MCU reset button (SW1):** This button is used to reset the PSoC 64 MCU. It connects the PSoC 64 MCU reset (XRES) pin to ground.
15. **PSoC 64 MCU debug and trace header (J12):** This header can be connected to an Embedded Trace Macrocell (ETM)-compatible programmer/debugger. This is not loaded by default.
16. **PSoC 64 MCU program and debug header (J11):** This 10-pin header allows you to program and debug the PSoC 64 MCU using an external programmer such as [MiniProg4](#).
17. **Arduino Uno R3-compatible I/O headers (J2, J3, and J4):** These I/O headers bring out pins from PSoC 64 MCU to interface with the Arduino shields. Some of these pins are multiplexed with onboard peripherals and are not connected to PSoC 64 MCU by default. For detailed information on how to rework the kit to access these pins, see [Table 1-1 on page 10](#).
18. **CapSense slider (SLIDER) and buttons (BTN0 and BTN1):** The CapSense touch-sensing slider and two buttons, all of which are capable of both self-capacitance (CSD) and mutual-capacitance (CSX) operation, allow you to evaluate Cypress' fourth-generation CapSense technology. The slider and buttons have a 1-mm acrylic overlay for smooth touch sensing.
19. **PSoC 64 MCU VDDIO2 current measurement jumper (J18):** An ammeter can be connected to this jumper to measure the current consumed by the PSoC 64 MCU VDDIO2 power domain. This jumper is not loaded by default on the board. Before populating the jumper for current measurements, ensure that R94 is removed.
20. **CYW4343W VDDIO_WL current measurement jumper (J17):** An ammeter can be connected to this jumper to measure the current consumed by the CYW4343W VDDIO power domain.
21. **Cypress serial NOR flash memory (S25FL512S, U3):** A S25FL512S NOR flash of 512-Mbit capacity is connected to the Quad SPI interface of the PSoC 64 MCU. The NOR device can be used for both data and code memory with execute-in-place (XIP) supports and encryption.
22. **Cypress PSoC 64 MCU with CYW4343W Carrier Module (CY8CMOD-064S0S2-4343W, MOD1):** This kit is designed to highlight the features of the PSoC 64 MCU on the CY8CMOD-064S0S2-4343W. For details, see [CY8CMOD-064S0S2-4343W \(MOD1\) on page 29](#).
23. **CYW4343W based Murata Type 1DX module:** The Type 1DX module is an ultra-small module that includes 2.4 GHz and WLAN and Bluetooth functionality. Based on Cypress CYW4343W, the module provides high-efficiency RF front end circuits. To ease Wi-Fi certification, the Type 1DX module complies with IEEE 802.11a/b/g/n and Bluetooth 5.1 plus EDR, Power Class 1 + BLE.
24. **Wi-Fi/BT antenna:** This is the onboard antenna connected to the Wi-Fi and Bluetooth module.
25. **PSoC 64 MCU:** This kit is designed to highlight the features of the PSoC 64 MCU. For details on PSoC 64 MCU pin mapping, refer to [Table 1-1 on page 10](#).

26. **Cypress serial Ferroelectric RAM (CY15B104QSN, U4):** The CY15B104QSN is a 4-Mbit non-volatile memory employing an advanced ferroelectric process. F-RAM is nonvolatile and performs reads and writes similar to a RAM. It provides reliable data retention for 151 years and is connected to the Quad SPI interface of the PSoC 64 MCU.
27. **CYW4343W VBAT current measurement jumper (J8):** An ammeter can be connected to this jumper to measure the current consumed by the CYW4343W VBAT power domain.
28. **CYW4343W VBAT power selection jumper (J9):** This jumper is used to select the CYW4343W VBAT supply voltage between 1.8 V, 3.3 V and 3.6 V. This board supports VBAT voltages of 3.3 V and 3.6 V. VBAT is 3.3 V when the jumper is not inserted and 3.6 V when the jumper is inserted.
29. **PSoC 64 MCU user LEDs (LED8 and LED9):** These two user LEDs can operate at the entire operating voltage range of the PSoC 64 MCU. The LED is active LOW, so the pins must be driven to ground to turn ON the LED.
30. **PSoC 64 MCU I/O headers (J21, J22, J24):** These headers provide connectivity to PSoC 64 MCU GPIOs that are not connected to the Arduino compatible headers. Some of these I/Os are also connected to on-board peripherals see [Table 1-1 on page 10](#) for pin mapping. These are not loaded by default.
31. **RGB LED (LED5):** This onboard RGB LED can be controlled by the PSoC 64 MCU. The LEDs are active LOW, so the pins must be driven to ground to turn ON the LEDs.
32. **Wi-Fi/BT GPIO header (J23):** This header brings out a few I/Os of the CYW4343W for general purpose applications. This is not loaded by default.
33. **PSoC 64 MCU USB device connector (J7):** The USB cable provided with the PSoC 64 Standard Secure – AWS Wi-Fi BT Pioneer Kit can be connected between this USB connector and the PC to use the PSoC 64 MCU USB device applications.
34. **Optional USB Host power supply header (J10):** This header provides an option to supply external power to the PSoC 64 MCU USB when used as a USB Host. This is not loaded by default.
35. **KitProg3 status LED (LED2):** This Yellow LED indicates the status of KitProg3. The KitProg3 mode is selected using Mode Select button SW3. For details on the KitProg3 status, see the [KitProg3 User Guide](#).
36. **KitProg3 (PSoC 5LP) programmer and debugger (CY8C5868LTI-LP039, U2):** The PSoC 5LP device (CY8C5868LTI-LP039) serving as KitProg3 is a multi-functional system which includes a SWD programmer, debugger, USB-I2C bridge and USB-UART bridge. For more details, see the [KitProg3 User Guide](#).
37. **microSD Card holder (J20):** Provide SDHC interface with microSD cards with the option to detect the presence of the card.

See [Hardware Functional Description on page 29](#) for details on various hardware blocks.

2.2 KitProg3: On-Board Programmer/Debugger

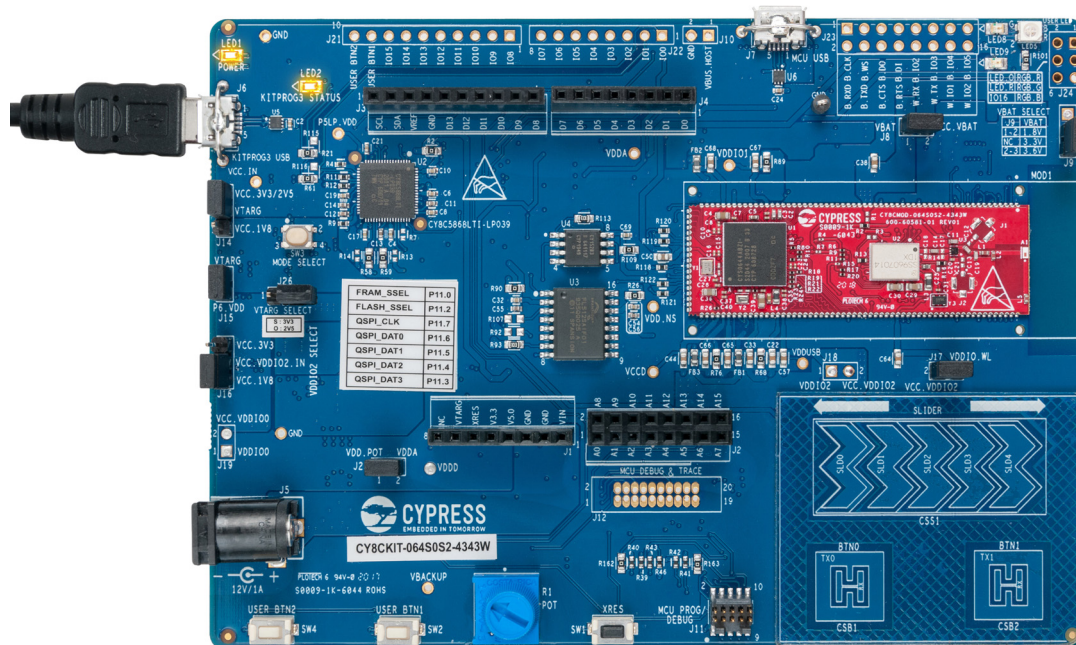
The PSoC 64 Standard Secure – AWS Wi-Fi BT Pioneer Board can be programmed and debugged using the onboard KitProg3. KitProg3 is a programmer/debugger with USB-UART and USB-I2C functionality. A Cypress PSoC 5LP device is used to implement KitProg3 functionality. For more details on the KitProg3 functionality, see the [KitProg3 User Guide](#).

2.2.1 Programming and Debugging using ModusToolbox

This section presents a quick overview on how to connect the kit and select the KitProg3 mode for programming and debugging. For detailed instructions, see **Help > ModusToolbox IDE Documentation > User Guide**.

Connect the board to the PC using the USB cable, as shown in [Figure 2-6](#). It enumerates as a USB Composite Device if you are connecting it to your PC for the first time. KitProg3 operates in either CMSIS-DAP Bulk mode or DAPLink mode (default). DAPLink mode is required for provisioning the PSoC 64 MCU. In CMSIS-DAP Bulk mode, two UART interfaces are supported. The status LED (Yellow) is always ON in CMSIS-DAP Bulk mode and ramping at 2 Hz rate in DAPLink mode. Press and release the Mode select button (SW3) to switch between these modes. If you do not see the desired LED status, see the [KitProg3 User Guide](#) for details on the KitProg3 status and troubleshooting instructions.

Figure 2-6. Connect USB Cable to USB Connector on the Board

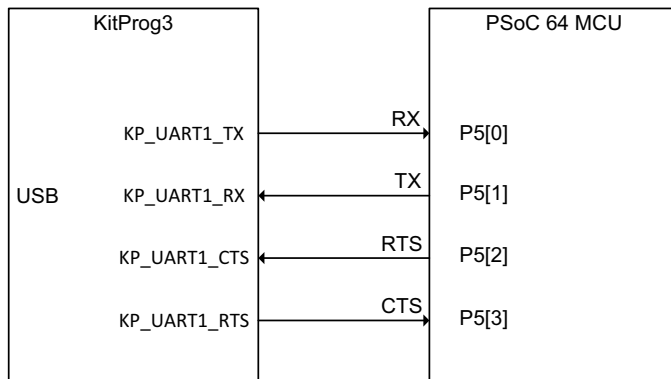


2.2.2 USB-UART Bridge

The KitProg3 on the PSoC 64 Standard Secure – AWS Wi-Fi BT Pioneer Board can act as a USB-UART bridge.

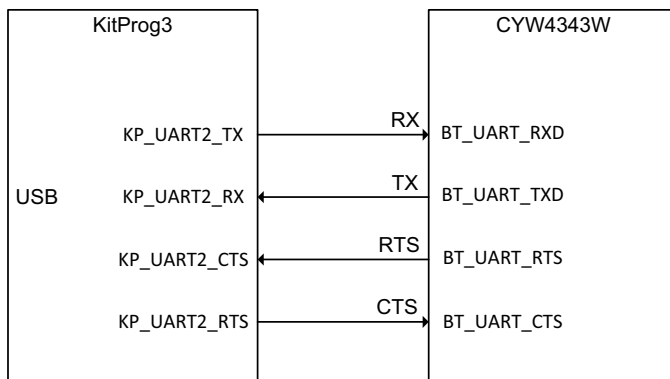
The primary UART and flow-control lines between the PSoC 64 MCU and the KitProg3 are hard-wired on the board, as [Figure 2-7](#) shows.

Figure 2-7. UART Connection between KitProg3 and PSoC 64 MCU



The secondary UART and flow-control lines between the CYW4343W and the KitProg3 are hard-wired on the board, as [Figure 2-8](#) shows.

Figure 2-8. UART Connection between KitProg3 and CYW4343W

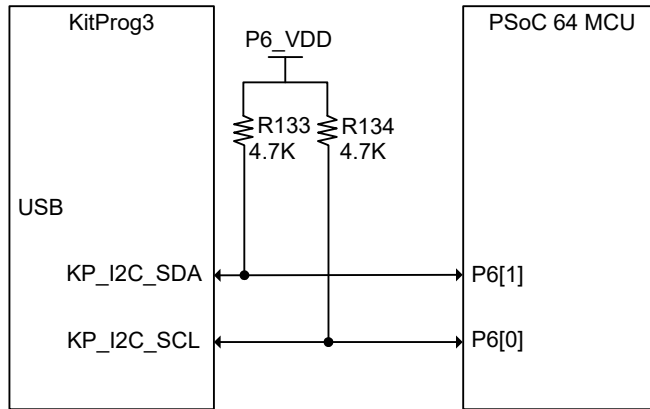


For more details on the KitProg3 USB-UART functionality, see the [KitProg3 User Guide](#).

2.2.3 USB-I2C Bridge

The KitProg3 can function as a USB-I2C bridge and can communicate with the Bridge Control Panel (BCP) software which acts as an I2C master. The I2C lines on the PSoC 64 MCU are hard-wired on the board to the I2C lines of the KitProg3, with onboard pull-up resistors as [Figure 2-9](#) shows. The USB-I2C supports I2C speeds of 50 kHz, 100 kHz, 400 kHz, and 1 MHz. For more details on the KitProg3 USB-I2C functionality, see the [KitProg3 User Guide](#).

Figure 2-9. I2C Connection between KitProg3 and PSoC 64 MCU



3. Provisioning Overview for PSoC 64 Standard Secure - AWS MCU's



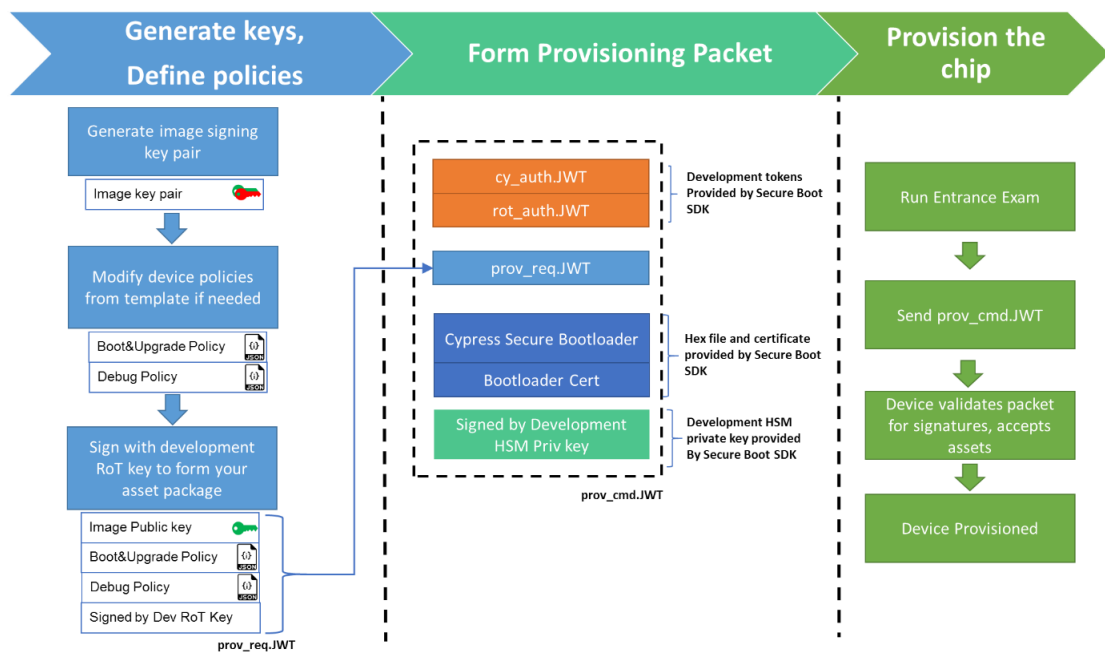
3.1 Provisioning Overview

Provisioning is a process by which secure assets like keys and security policies are injected into the device. This step typically occurs in a secure manufacturing environment that has a Hardware Security Module (HSM).

For a more detailed overview of what provisioning entails, see Chapter 2 of the [Secure Boot SDK User Guide](#).

In the context of evaluating this kit, the provisioning flow can be visualized as follows:

Figure 3-1. Provisioning Flow



For evaluation purposes, the Secure Boot SDK provides the following assets to easily provision your device:

1. A development cy_auth JWT token; this authorizes a development HSM keypair which is used by your PC to provision the chip.
2. A development rot_auth JWT token; this authorizes a development RoT keypair which can be used to sign your assets, such as image keys and policies.

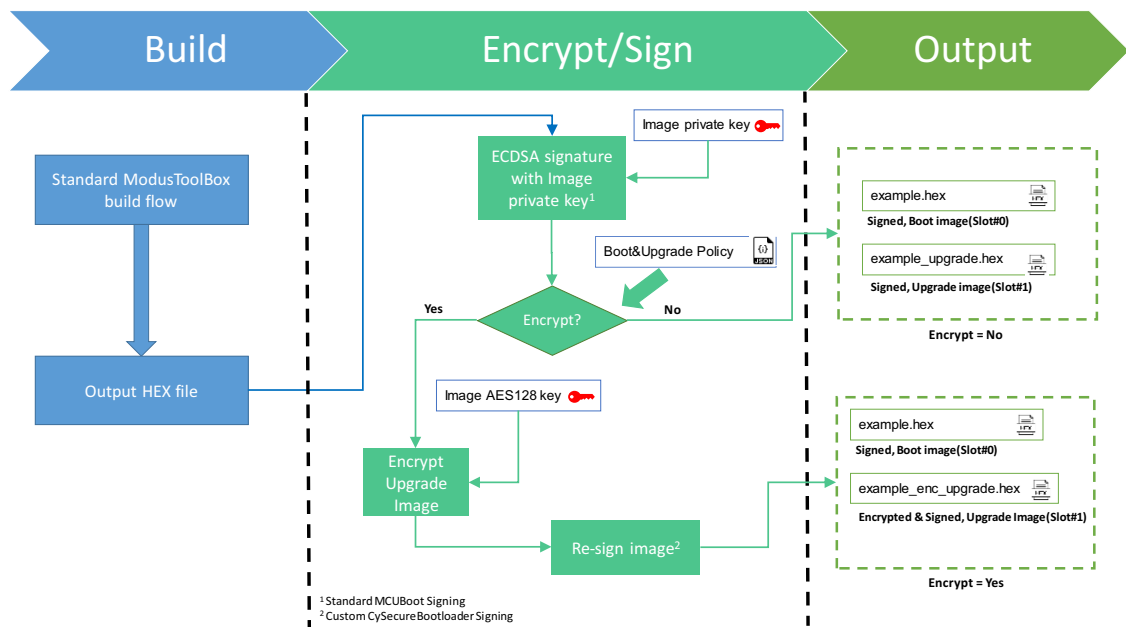
In addition, the SDK provides tools to do the following:

1. Generate image keys
2. Form provisioning packets
3. Scripts to run the entrance exam and provisioning process on your development PC

Once the chip has been provisioned with the Public Image key, it will only boot images signed by the associated Private key. Optionally, the image can be encrypted if the Boot and Upgrade policy specifies it.

The signing and encryption process is a post build script provided by the Secure Boot SDK. The build and encrypt/signing flow for a CY8CKIT-064S0S2-4343W target using the ModusToolbox make process is shown below.

Figure 3-2. Build and Encrypt/Signing Flow



4. Hardware



4.1 Schematics

Refer to the schematic files available on the [kit webpage](#).

4.2 Hardware Functional Description

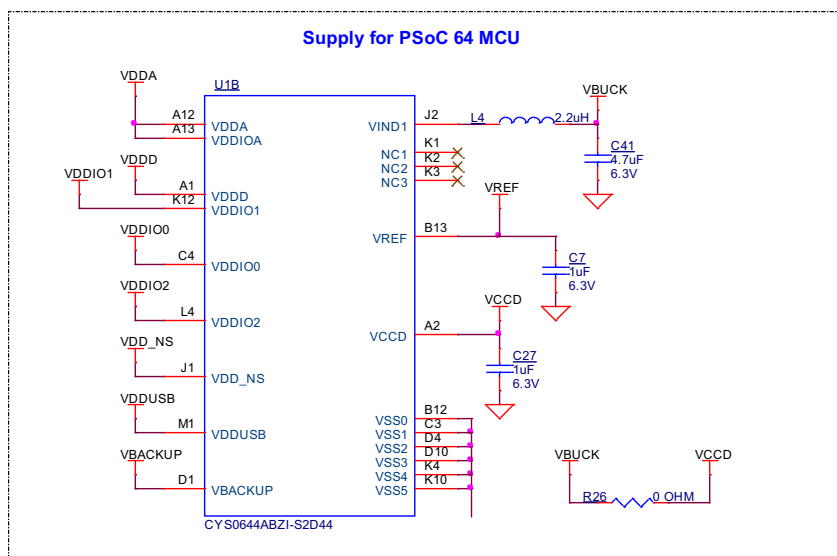
This section explains in detail the individual hardware blocks.

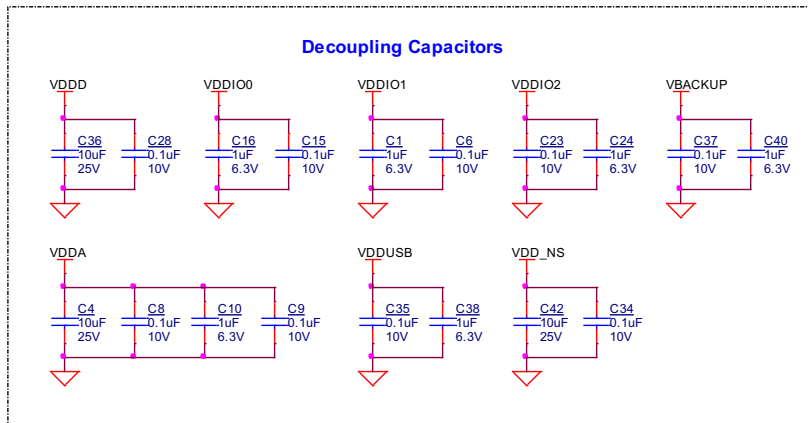
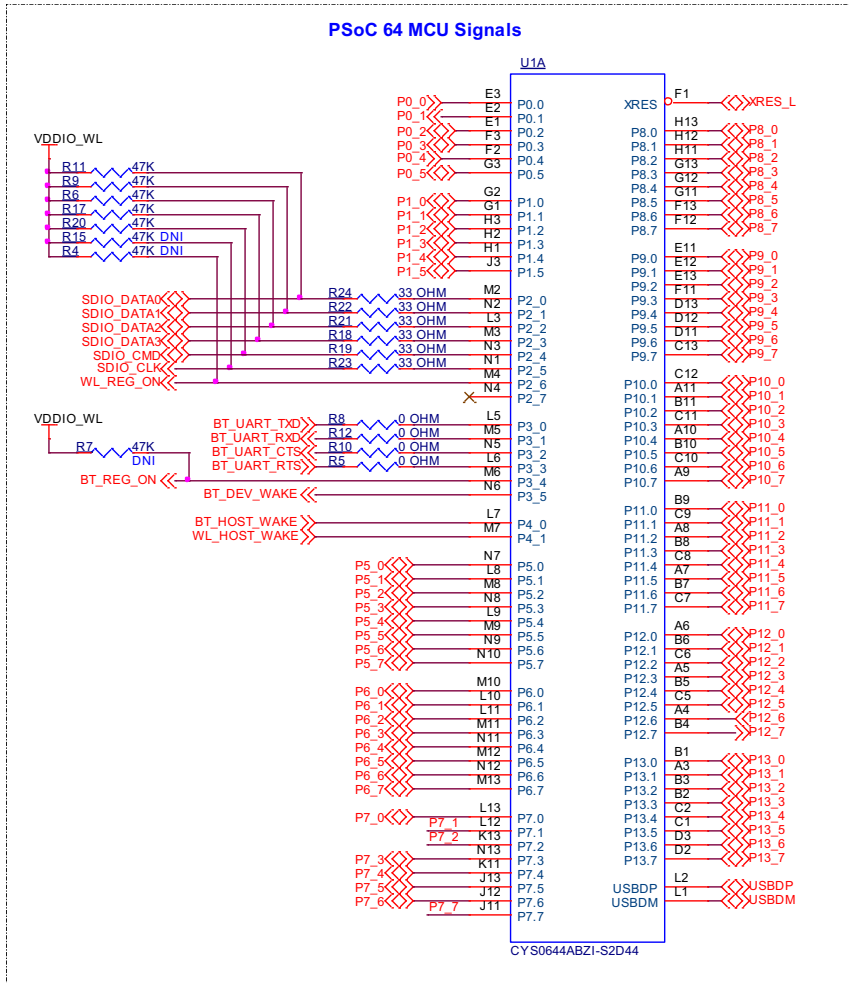
4.2.1 CY8CMOD-064S0S2-4343W (MOD1)

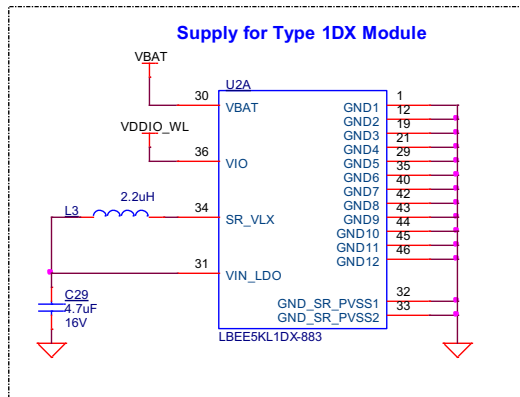
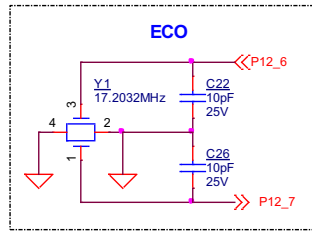
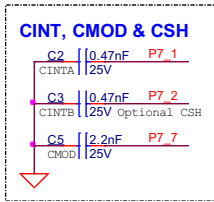
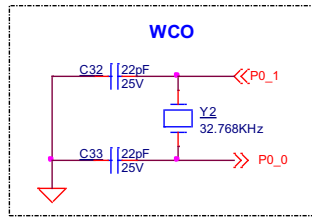
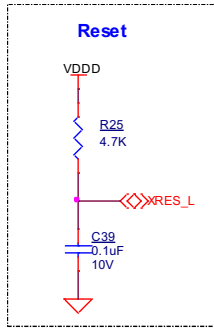
CY8CMOD-064S0S2-4343W is a castellated PCB module which consists mainly of PSoC 64 MCU and CYW4343W devices. The module also houses a 2.45 GHz/5.5 GHz dual-band chip antenna, RF switch for antenna diversity, Low Power Oscillator (LPO) for CYW4343W, crystal oscillators for PSoC 64 MCU, modulation and integration capacitors to support CapSense and other passive components required for the proper working of PSoC 64 MCU and CYW4343W. A pre-certified Type 1DX module with CYW4343W from Murata, LBEE5KL1DX, is used for ease of development. CYW4343W supports only the 2.45 GHz band, but the antenna used is a 2450AD14A5500 Dual Band 2.45 GHz/5.5 GHz Mini Chip Antenna from Johanson, to use the same antenna across different designs. The castellated PCB module has 137 castellated pads, which are used for different voltage rails and I/O signals of the PSoC 64 MCU and the CYW4343W.

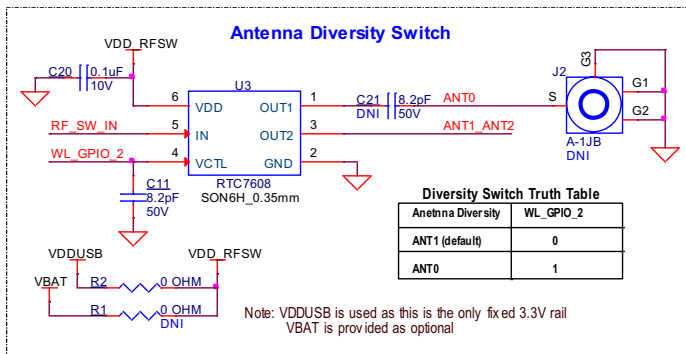
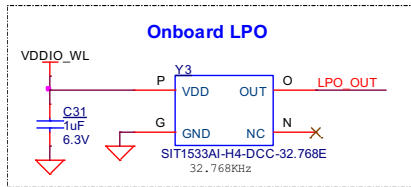
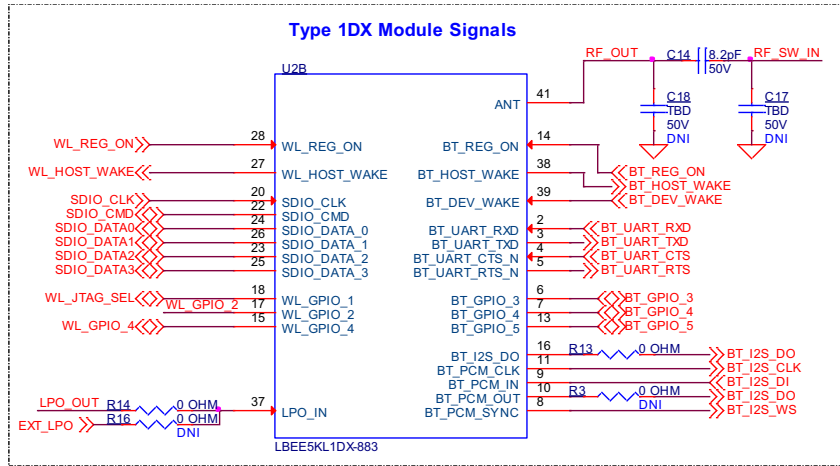
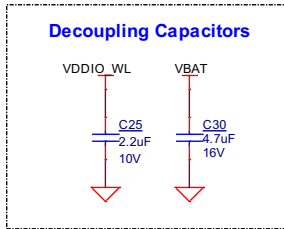
For more information, see the [PSoC 64 MCU webpage](#), [Murata Type 1DX webpage](#) and the datasheet.

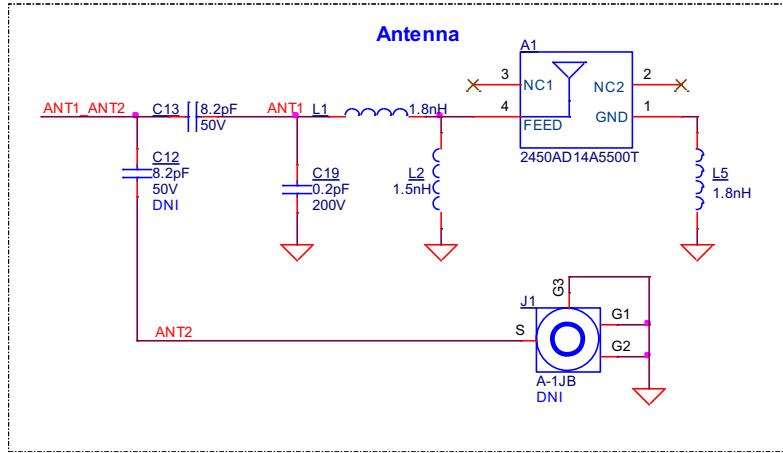
Figure 4-1. Schematics of CY8CMOD-064S0S2-4343W



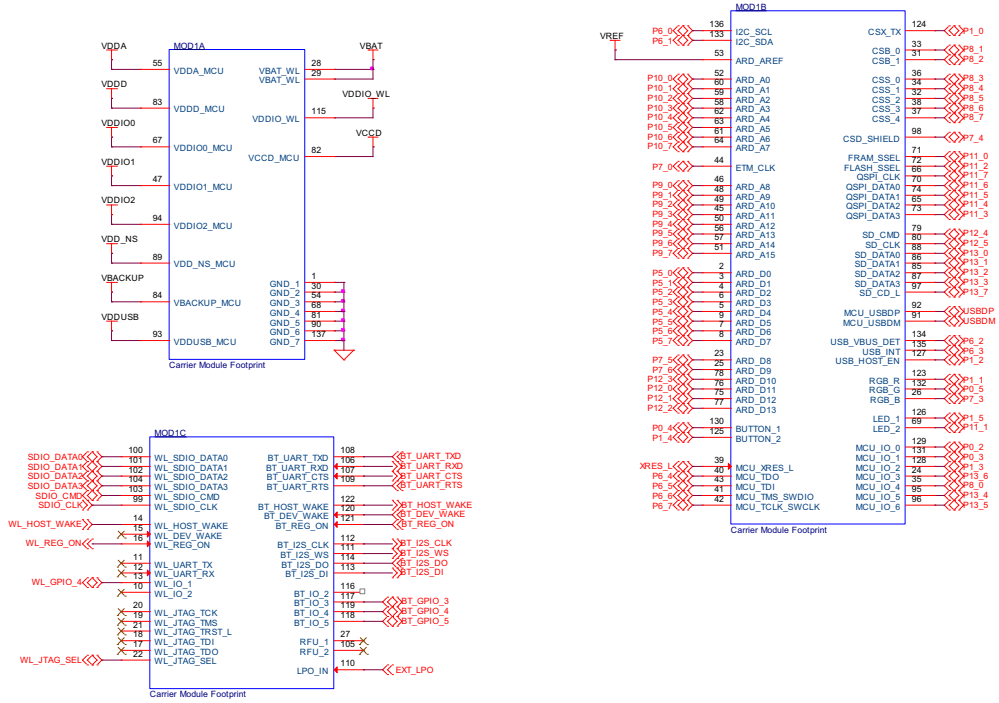








Carrier Module Footprint

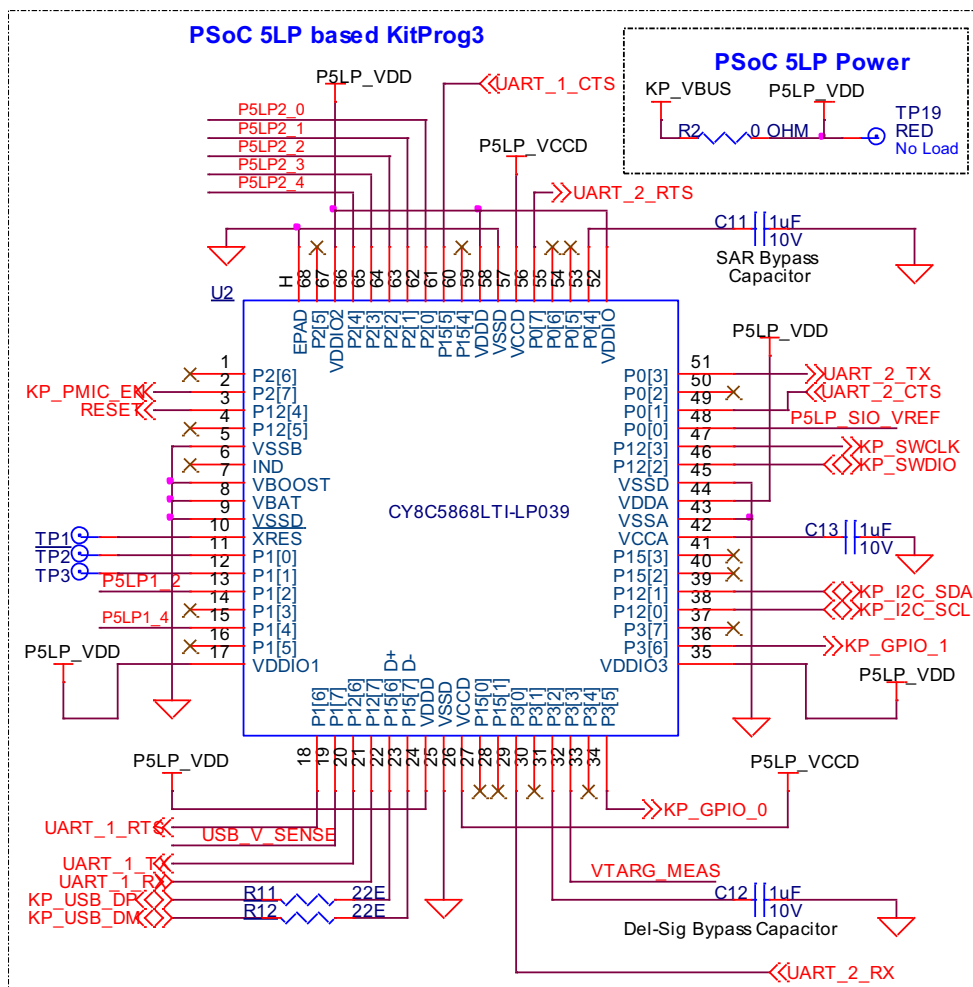


4.2.2 PSoC 5LP-based KitProg3 (U2)

An onboard PSoC 5LP (CY8C5868LTI-LP039) device is used as KitProg3 to program and debug the PSoC 64 MCU. The PSoC 5LP device connects to the USB port of a PC through a USB connector and to the SWD and other communication interfaces of the PSoC 64 MCU.

The PSoC 5LP device is a true system-level solution providing MCU, memory, analog, and digital peripheral functions in a single chip. For more information, visit the [PSoC 5LP web page](#). Also, see the [CY8C58LPxx Family datasheet](#).

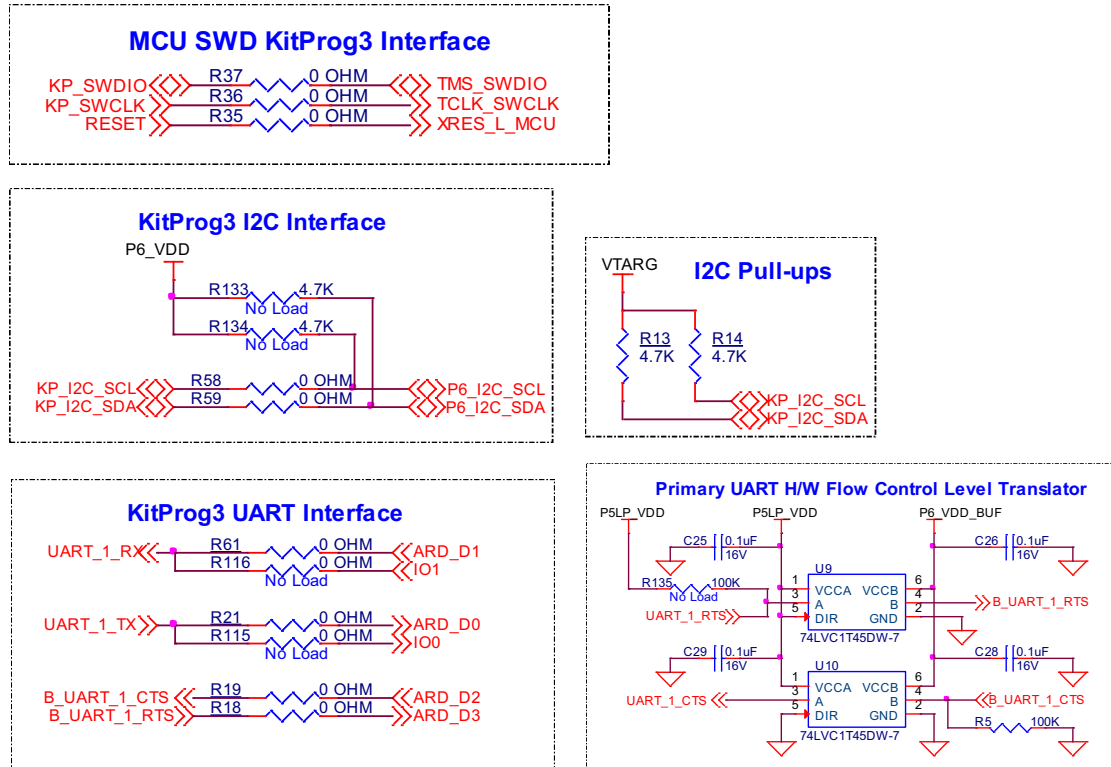
Figure 4-2. Schematics of PSoC 5LP based KitProg3



4.2.3 Serial Interconnection between PSoC 5LP and PSoC 64 MCU

In addition to the use as an onboard programmer, the PSoC 5LP device functions as an interface for the USB-UART and USB-I2C bridges, as shown in [Figure 4-3](#). The USB-Serial pins of the PSoC 5LP device are hard-wired to the I2C/UART pins of the PSoC 64 MCU. These pins are also available on the Arduino-compatible I/O headers.

Figure 4-3. Schematics of Programming and Serial Interface Connections

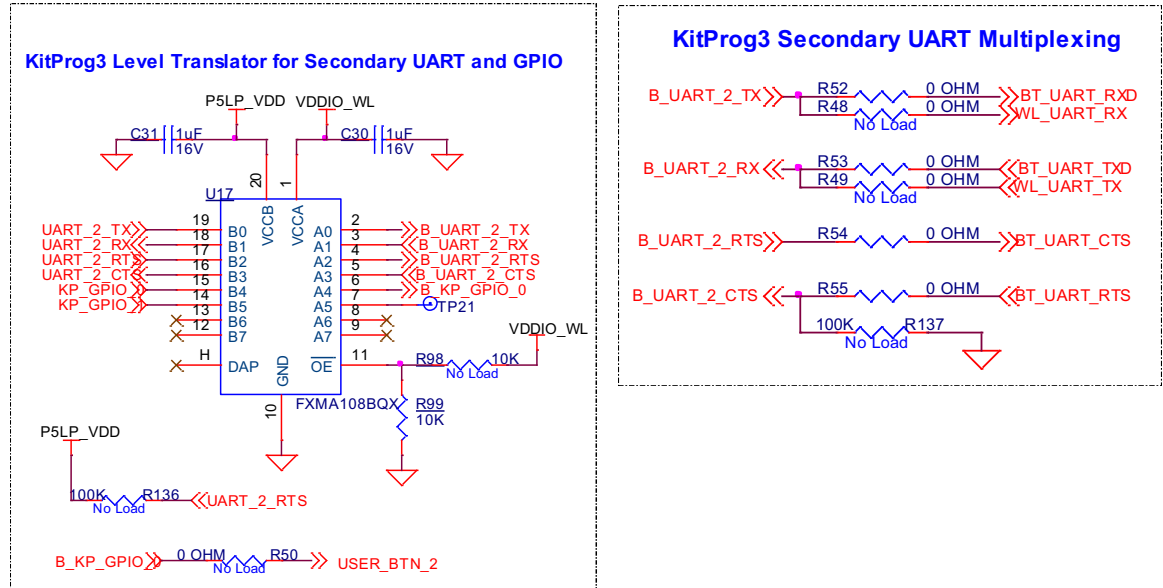


4.2.4 Serial Interconnection between PSoC 5LP and CYW4343W

The PSoC 5LP device also has a secondary UART that is connected to the BT_UART of CYW4343W (Murata Type 1DX).

Note: BT_UART is also connected to PSoC 64 MCU on the carrier module and this is the communication interface between the PSoC 64 MCU and the Bluetooth section of the CYW4343W.

Figure 4-4. Serial Interconnection Between PSoC 5LP and CYW4343W

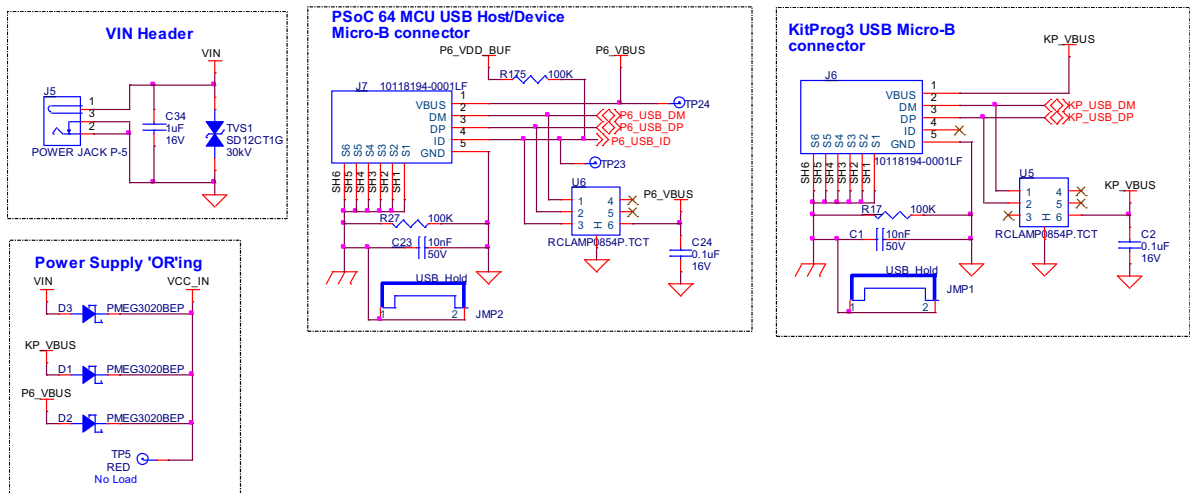


4.2.5 Power Supply System

The power supply system on this board is versatile, allowing the input supply to come from the following sources:

- 5 V from the onboard USB Micro-B connectors (**J6** and **J7**)
- 7 V–12 V from external power supply at VIN through barrel jack (**J5**) or from Arduino header pin J1.1

Figure 4-5. Schematics of Power Supply Input and OR'ing



4.2.5.1 Voltage regulators

The power supply system is designed for the voltage configurations listed in Table 4-1. Some configurations achievable on this kit are outside the operating range for the device. However, it is not possible to achieve all applicable configurations by changing jumper positions but rather requires re-work of respective 0-ohm resistors.

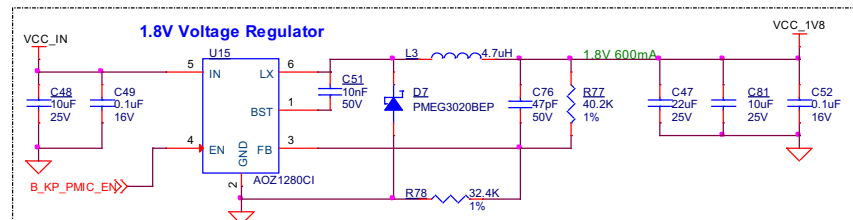
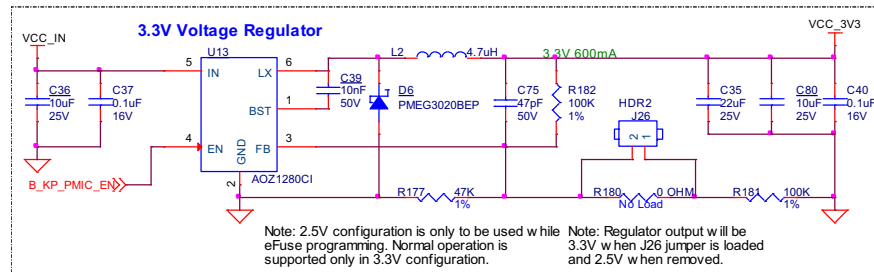
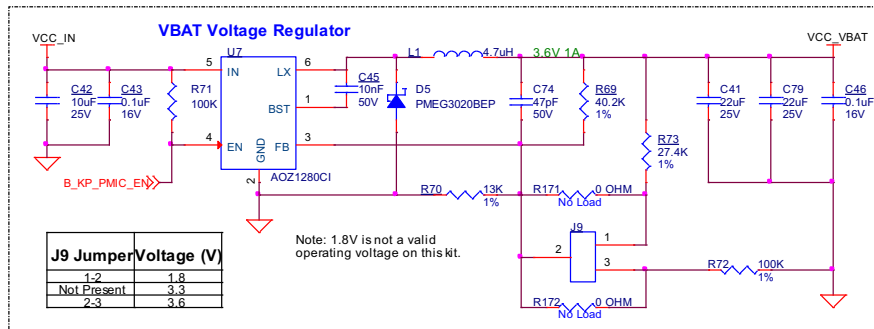
VDDIO_WL and VDDIO2_MCU must be at the same voltage since they power the SDIO interface between PSoC 64 MCU and CYW4343W. Hence both are supplied by the VCC_VDDIO2_IN domain.

Three buck regulators **U15**, **U13** and **U7** are used to achieve 1.8 V, 3.3 V and 3.6 V outputs respectively. Figure 4-6 shows the schematics of the voltage regulator circuits.

Table 4-1. Operating voltage ranges of domains

Voltage Domain	Carrier Module (MOD1) Power Pins powered by the domain	Operating Voltage		Voltage Configuration applicable in kit	Voltage Selection Header
		Min (V)	Max (V)		
VCC_VBAT	VBAT_WL	3.2	4.2	3.6V, 3.3V	J9
VCC_VDDIO2_IN	VDDIO2_MCU, VDDIO_WL	1.71	3.63	1.8V, 3.3V	J16
VTARG	VDDD_MCU, VDDIO1_MCU, VDDA_MCU, VDD_NS_MCU, VBACKUP_MCU	1.7	3.6	1.8, 2.5, 3.3V	J14, J26
VCC_VDDIO0	VDDIO0_MCU	1.7	3.6	1.8, 2.5, 3.3V	None (uses 0 Ohms)

Figure 4-6. Voltage Regulators



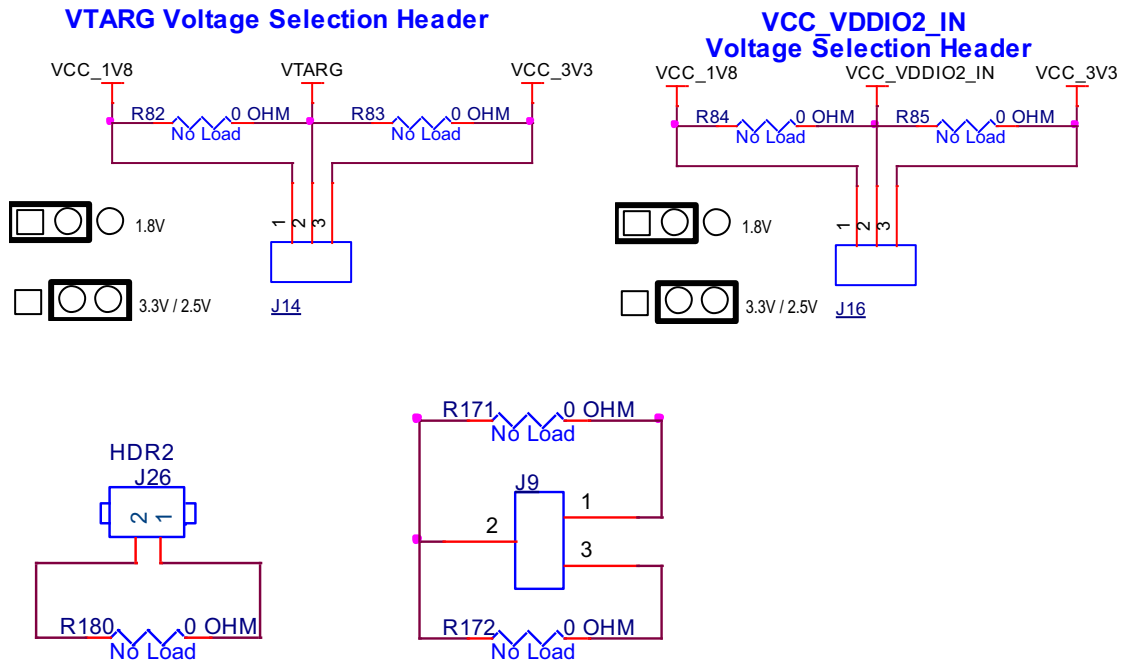
4.2.5.2 Voltage Selection

VCC_VBAT has a dedicated regulator that changes voltage by varying the feedback voltage through the resistor network at **J9**.

VTARG and VCC_VDDIO2_IN have dedicated 3-pin voltage selection headers **J14** and **J16** respectively that select between VCC_3V3 and VCC_1V8 voltages. [Figure 4-7](#) shows the schematics of the power selection circuits.

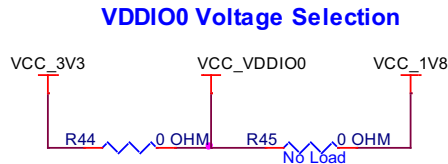
Note: Jumper shunt from J26 should only be removed during provisioning. This kit is not designed to fully operate at 2.5 V. In order to select 2.5 V during provisioning, set J14 to VCC_3V3 and remove jumper shunt from J26. VCC_VDDIO2_IN will also be 2.5 V if J16 is set to VCC_3V3.

Figure 4-7. Voltage Selection Headers



VCC_VDDIO0 voltage can be selected between VCC_3V3 and VCC_1V8 using zero-ohm resistors. It is connected to VCC_3V3 by default as microSD card (powered by VCC_VDDIO0) works only at 3.3V. [Figure 4-8](#) shows the schematics of the voltage selection circuits.

Figure 4-8. Voltage Selection



4.2.5.3 Current Measurement Headers

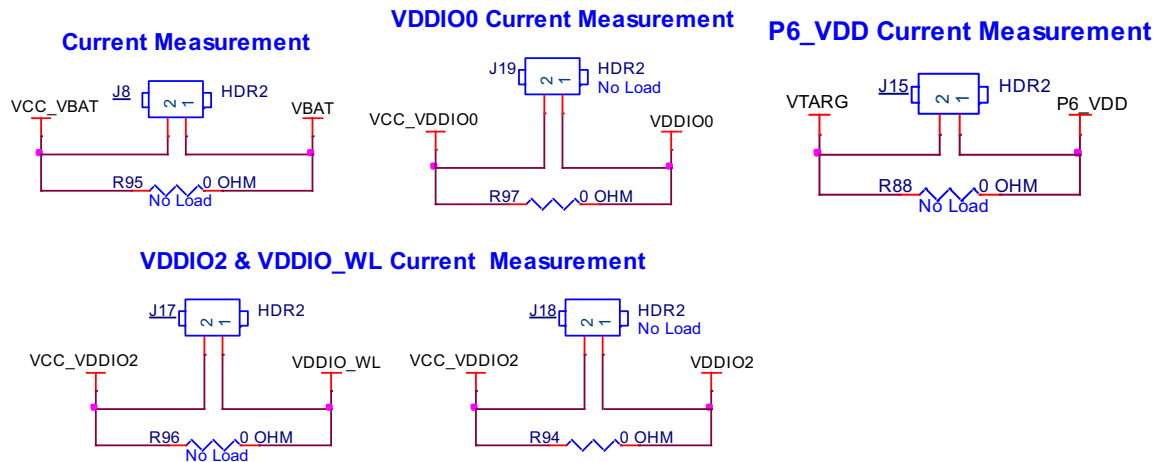
The current of the following domains have dedicated 2-pin headers to facilitate easy current measurement using an ammeter across the pins.

Note: If a header is not loaded by default, it is bypassed using a 0-ohm resistor parallel to it. Please make sure to remove the corresponding 0-ohm resistor (as per Figure 4-9) before measuring current across the header.

Table 4-2. Current Measurement Headers

Domain Name	Header Reference Designator	Loaded by default
VBAT	J8	Y
P6_VDD	J15	Y
VDDIO_WL	J17	Y
VDDIO2	J18	N
VDDIO0	J19	N

Figure 4-9. Current Measurement Headers



Note: When measuring P6_VDD current, make sure that the J25 jumper shunt is removed. This will disconnect the potentiometer from VDDA and removes the leakage caused by it.

4.2.6 I/O Headers

4.2.6.1 Arduino-compatible Headers (J1, J2, J3, J4)

The board has four Arduino-compatible headers: **J1**, **J2**, **J3**, and **J4**. You can connect 3.3 V Arduino-compatible shields to develop applications based on the shield's hardware.

Note: 5-V shields are not supported and connecting a 5-V shield may permanently damage the board.

Note: All Arduino header pins are not connected to the same voltage reference. ARD_D[10:13] are powered by VDDIO0 whereas rest are powered by domains connected to VTARG. Hence Arduino shields particularly that use ARD_D[10:13] must not be used when VTARG is 1.8 V.

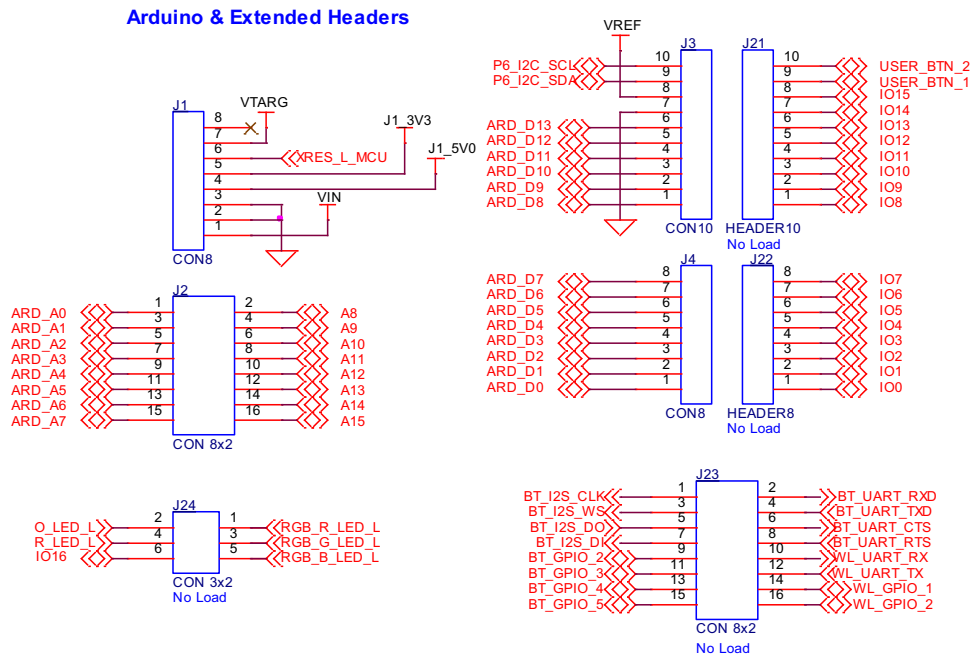
4.2.6.2 PSoC 64 MCU I/O Headers (J21, J22, and J24)

These headers provide connectivity to PSoC 64 MCU GPIOs that are not connected to the Arduino-compatible headers. The majority of these pins are multiplexed with onboard peripherals and are not connected to the PSoC 64 MCU by default. They can be connected to the PSoC 64 MCU using 0-ohm resistors.

4.2.6.3 WL/BT I/O Headers (J23)

These headers provide connectivity to a few of the CYW4343W GPIOs that are available at the castellated pads. All these I/Os work at the VDDIO_WL voltage (1.8 V by default).

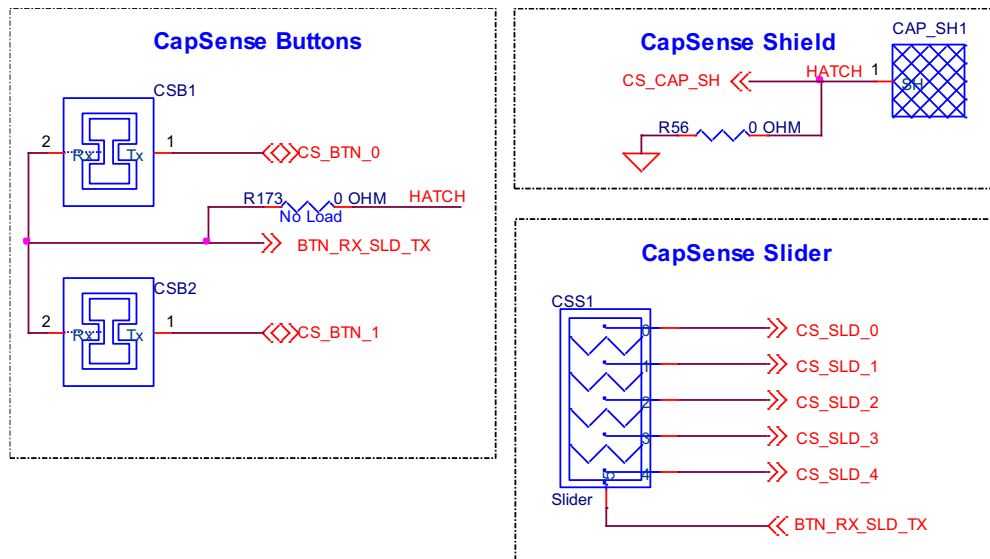
Figure 4-10. I/O Headers



4.2.7 CapSense Circuit

A CapSense slider and two buttons, all supporting both self-capacitance (CSD) and mutual-capacitance (CSX) sensing are connected to the PSoC 64 MCU as [Figure 4-11](#) shows. Three external capacitors - CMOD for CSD, CINTA and CINTB for CSX - are present on the CY8CMOD-064S0S2-4343W. Note that CINTB can be reused as CSH. For details on using CapSense including design guidelines, see the [Getting Started with CapSense Design Guide](#).

Figure 4-11. Schematics of CapSense Circuit



Simultaneous GPIO switching with unrestricted drive strengths and frequency can affect CapSense and ADC performance. For more details, see the Errata section of the corresponding device datasheet.

4.2.8 LEDs

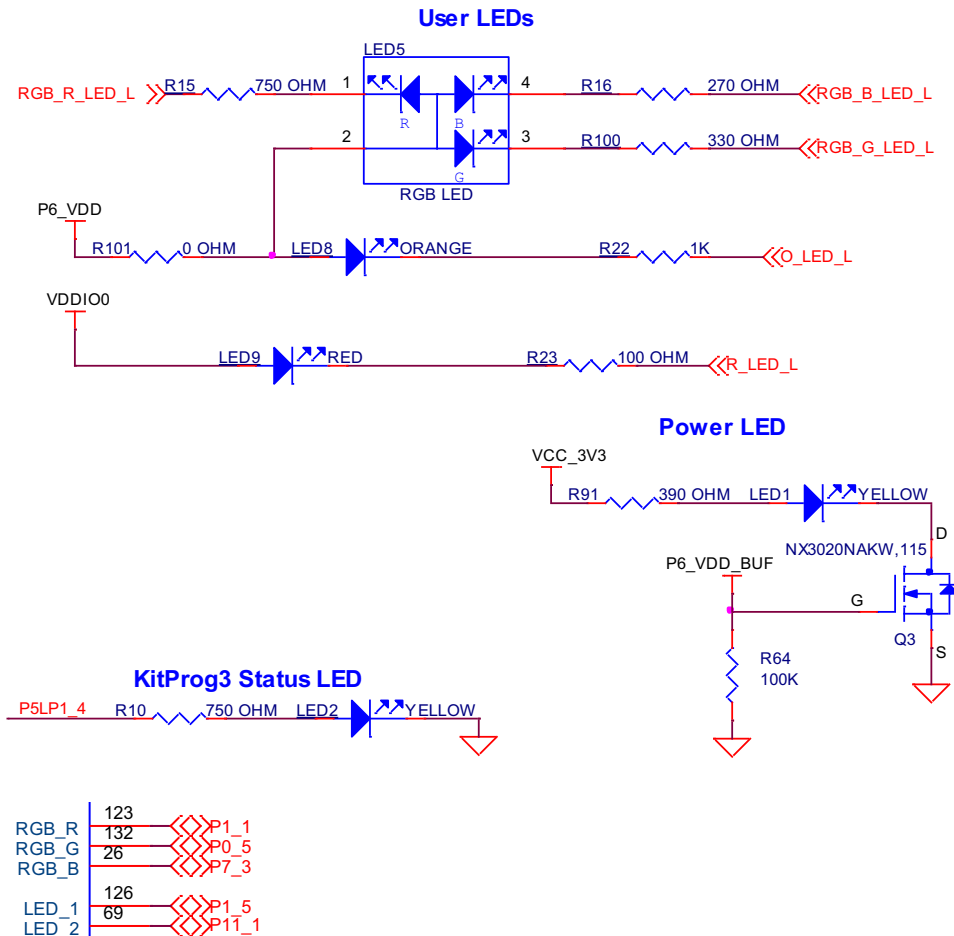
LED2 (Yellow) indicates the status of KitProg3 (See the [KitProg3 User Guide](#) for details). **LED1** (Yellow) indicates the status of the power supplied to the board.

The board also has two user-controllable LEDs (**LED8** and **LED9**) and an RGB LED (**LED5**) connected to PSoC 64 MCU pins for user applications.

Table 4-3. PSoC 64 pins for the LEDs

User LED	PSoC 64 MCU Pin
RGB.R	P1[1]
RGB.G	P0[5]
RGB.B	P7[3]
LED.O	P1[5]
LED.R	P11[1]

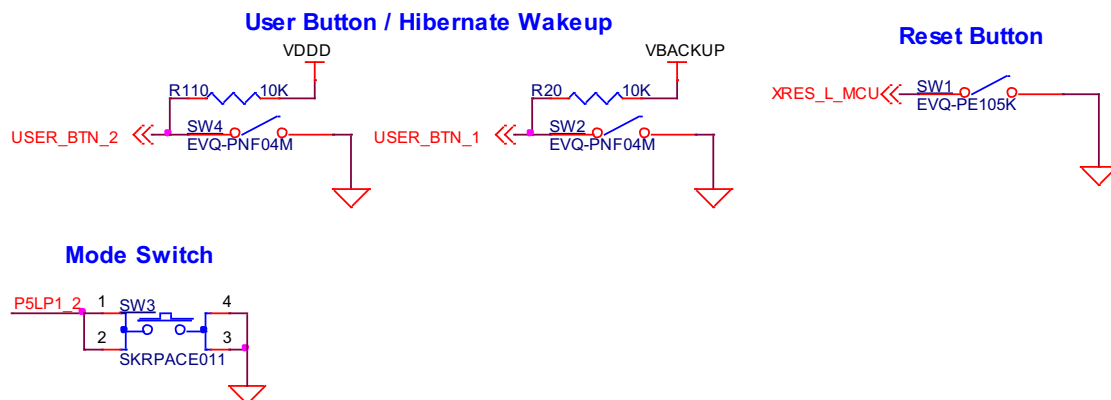
Figure 4-12. LEDs



4.2.9 Push Buttons

The board has a reset button, two user-controllable buttons and a KitProg3 Mode selection button. The reset button (**SW1**) is connected to the XRES pin of the PSoC 64 MCU and is used to reset the device. Two user buttons (**SW2** and **SW4**) are connected to pin P0[4] and P1[4] of the PSoC 64 MCU respectively. In addition, the Mode selection button (**SW3**) is connected to the PSoC 5LP device for programming mode selection (Refer to the [KitProg3 User Guide](#) for details). All buttons are active LOW configuration and short to GND when pressed. The CY8CMOD-064S0S2-4343W has a pull-up on the PSoC 64 MCU XRES line.

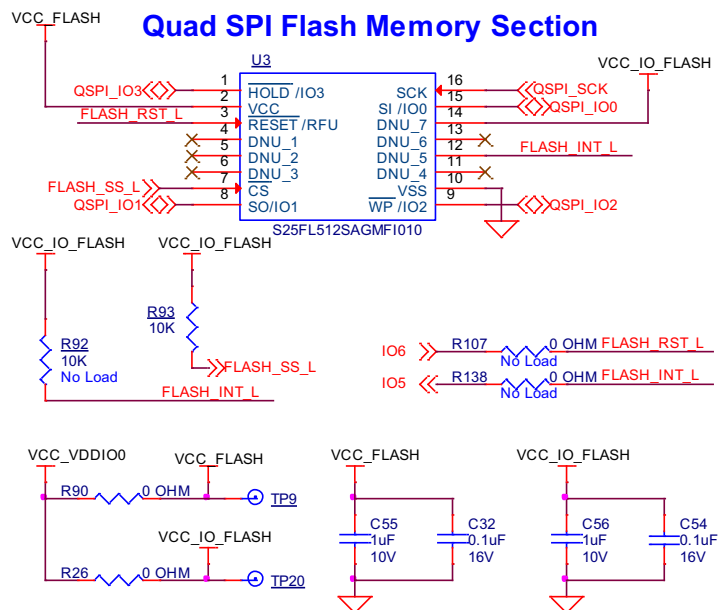
Figure 4-13. Schematics of Push Buttons



4.2.10 Cypress Quad SPI NOR Flash

The PSoC 64 Standard Secure – AWS Wi-Fi BT Pioneer Board has a Cypress NOR flash memory (S25FL512SAGMFI010) of 512Mb capacity. The NOR flash is connected to the Quad SPI interface of the PSoC 64 MCU device. The NOR flash device can be used for both data and code with execute-in-place (XIP) support and encryption.

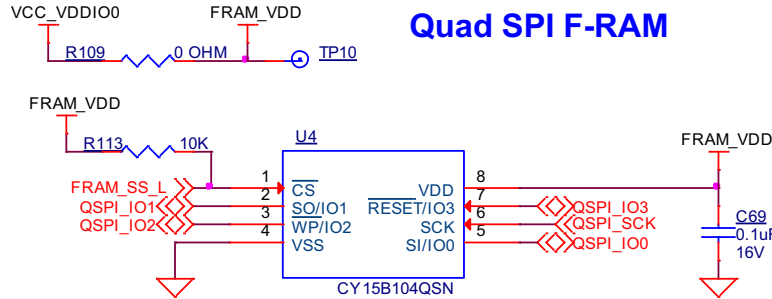
Figure 4-14. Schematics of QSPI Flash



4.2.11 Cypress Quad SPI F-RAM

The PSoC 64 Standard Secure – AWS Wi-Fi BT Pioneer Board contains a CY15B104QSN Excelon™ F-RAM device, which can be accessed through Quad SPI interface. The F-RAM is 4-Mbit (512K × 8) and is capable of Quad SPI speed up to 108 MHz but the PSoC 64 MCU is limited to 80 MHz.

Figure 4-15. Schematics of Quad SPI F-RAM

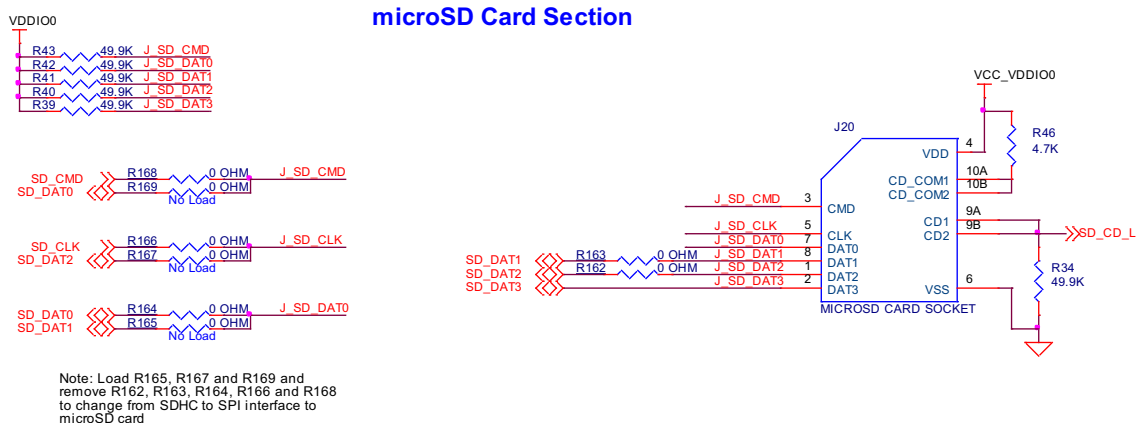


4.2.12 microSD card section

The PSoC 64 Standard Secure – AWS Wi-Fi BT Pioneer Board contains a bottom-mounted microSD card holder with card detect pin that is connected to the PSoC 64 MCU. It is powered by VDD_VD-DIO0 (connected to VCC_3V3 by default). The PSoC 64 MCU is capable of UHS-I but is limited to High-Speed mode (50 MHz clock) in this kit.

By default, the PSoC 64 MCU device is connected using an SDHC interface but optionally can be connected using SPI by re-working a few zero-ohm resistors.

Figure 4-16. Schematics of microSD Card Section

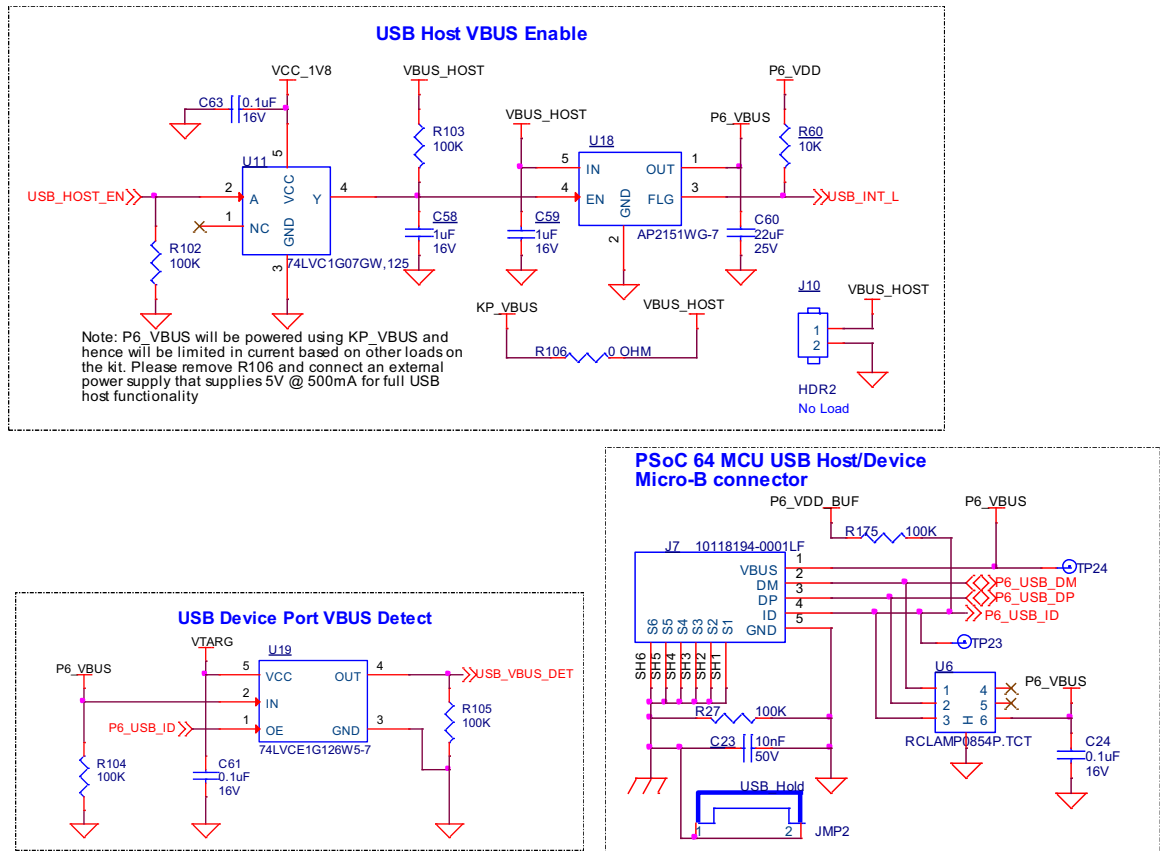


4.2.13 PSoC 64 MCU USB Section

The board contains a micro-B USB connector for the PSoC 64 MCU. It is capable of both device and host functionality. Although the PSoC 64 MCU does not support USB-OTG, the hardware is compliant with it. By default, the PSoC 64 MCU device will work as a USB device; when an OTG cable (all such cables have ID pin connected to GND) is connected, it will work as a USB Host.

As a USB Host, the board must provide power to a USB device that is connected to it. This power is provided by VBUS_HOST which is controlled by the PSoC 64 MCU using a load switch. By default, VBUS_HOST is powered using KP_VBUS and optionally can be powered using external sources through J10.

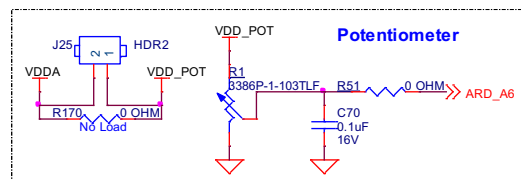
Figure 4-17. PSoC 64 MCU USB



4.2.14 Potentiometer Section

The board contains a 10K potentiometer connected to pin A6 (P10[6]) of Arduino-header (J2). The fixed ends are connected to VDDA (VDD_POT through J25) and GND and hence may contribute to leakage current on the P6_VDD power supply. Remove jumper J25 to disconnect power from the potentiometer when measuring P6_VDD current.

Figure 4-18. Schematics of Potentiometer



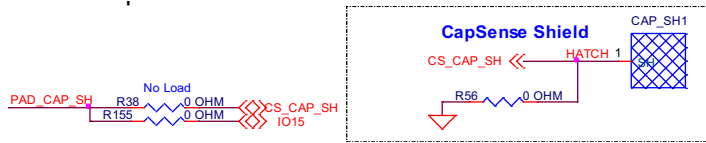
4.3 PSoC 64 Standard Secure – AWS Wi-Fi BT Pioneer Kit Rework

4.3.1 CapSense Shield

The hatched pattern around the CapSense buttons and slider are connected to ground. In case liquid tolerance is required, this pattern needs to be connected to a shield pin. This pattern can be connected to P7[4] by populating R38 and removing R56. Pin P7[4] needs to be configured as a shield pin in the firmware. CINTB (C15 on MOD1) connected to P7[2] must be configured as CSH in firmware when using the CapSense Shield.

Connecting the hatched pattern to shield instead of ground will also reduce the parasitic capacitance of the sensors.

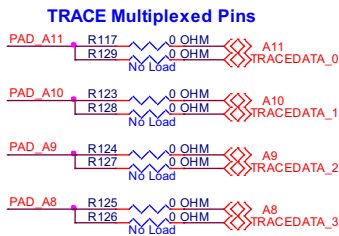
Figure 4-19. Schematics of CapSense Shield



4.3.2 ETM Trace Header

The 20-pin ETM trace header J12 is not loaded by default and the lines to the header are used as I/Os on header J2. To connect the PSoC 64 MCU to trace header, populate the resistors R126–R129 and remove resistors R117, R123–R125.

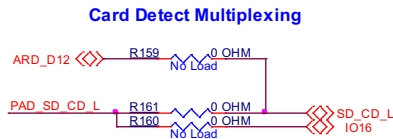
Figure 4-20. ETM Trace Header



4.3.3 microSD Card Detect Multiplexing

On the PSoC 64 MCU, the default card detect pin for the SHDC block is P12[1]. However, on this kit, P13[7] is connected to the card detect pin on the microSD card slot. Therefore, the firmware must be modified to use P13[7] as the card detect pin. In order to instead use the default PSoC 64 MCU card detect pin, remove R161 and load R159. In this case, P13[7] can optionally be used as a GPIO by loading R160 which connects it to an I/O header.

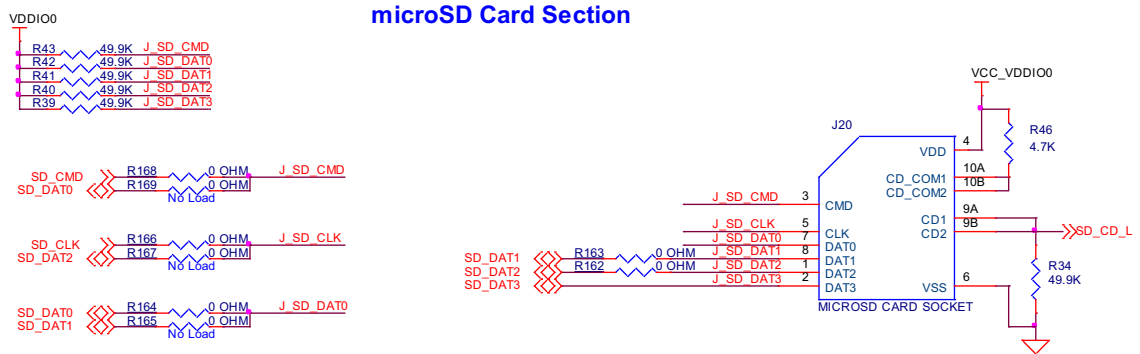
Figure 4-21. microSD Card Detect Multiplexing



4.3.4 microSD Card SPI Multiplexing

The microSD card is connected by a 6-pin SDHC interface by default i.e., CLK, CMD and DAT[0:3]. There is an optional provision to connect it over a 4-pin SPI interface i.e., CLK, MOSI, MISO and SSEL . To do this, load R165, R167, and R169 and remove R162, R163, R164, R166, and R168.

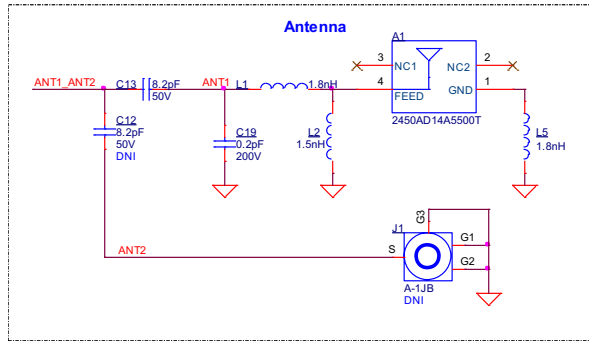
Figure 4-22. microSD Card SPI Multiplexing



4.3.5 U.FL (UMCC) Connector for External Antenna

The RF output of CYW4343W is connected to the chip antenna by default. To disconnect the chip antenna and connect an external antenna, remove C13 and then populate C12 and J1 on CY8CMOD-064S0S2-4343W.

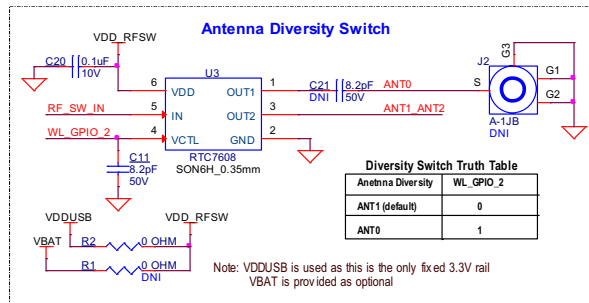
Figure 4-23. U.FL (UMCC) Connector for External Antenna



4.3.6 U.FL (UMCC) Connector for Antenna Diversity

To evaluate antenna diversity, an external antenna can be connected to the output of antenna diversity RF switch by populating C21 and J2 on CY8CMOD-064S0S2-4343W.

Figure 4-24. U.FL (UMCC) Connector for Antenna Diversity



4.4 Bill of Materials

Refer to the BOM files in the [kit webpage](#).

4.5 Frequently Asked Questions

1. How does CY8CKIT-064S0S2-4343W handle a voltage connection when multiple power sources are plugged in?

There are three different options to power the baseboard; KitProg3 Micro-B USB connector (**J6**), PSoC 64 MCU Micro-B USB connector (**J7**), and External DC supply via VIN connector (**J5**). The voltage from each of the sources is passed through ORing diodes that supply VCC_IN.

2. What are the input voltage tolerances? Is there any voltage protection on this kit?

Input voltage levels are as follows:

Table 4-4. Input voltage levels

Supply	Typical I/P Voltage	Absolute max
USB Micro-B connector (J6, J7)	4.5 V to 5.5 V	5.5 V
VIN connector (J5)	7 V to 12 V	18 V

The Kit can't be powered through the programming header J11 and has reverse voltage protection on this header.

3. Why is the voltage of the kit restricted to 3.3 V? Can't it drive external 5-V interfaces?

PSoC 64 MCU is not meant to be operated at voltages greater than 3.6 V. Powering PSoC 64 MCU to more than 4 V will damage the chip. It is recommended to power PSoC 64 MCU at 3.3 V.

4. I am unable to program the target device.

- a. Check **J15** to ensure that jumper shunt is placed.
- b. Make sure that no external devices are connected to the external programming header J11.
- c. Update your KitProg3 version to the latest one using the steps mentioned in the [KitProg3 User Guide](#).

5. What additional overlays can be used with the CapSense?

Any kind of overlays (up to 5-mm thickness) like wood, acrylic, and glass can be used with CapSense. Note that additional tuning may be required when the overlay is changed.

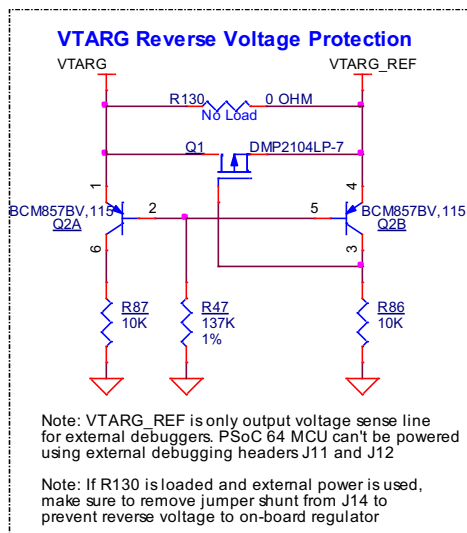
6. Can I power the kit using external program/debug headers J11 and J12?

No, this is not possible by default in this board. The target MCU is powered by on-board regulators only and hence one of the 3 main sources (**J5**, **J6** and **J7**) must be present.

There is a protection circuit that prevents reverse voltage from VTARG_REF to VTARG. Hence the board can't be powered through **J11** and **J12**. However this can be by-passed by loading R130.

Note: This modification is not recommended as the target MCU will have no protection and will be permanently damaged if 5V is supplied.

Figure 4-25. VTARG Reverse Voltage Protection



Revision History



Document Revision History

Document Title: CY8CKIT-064S0S2-4343W PSoC 64 Standard Secure – AWS Wi-Fi BT Pioneer Kit Guide			
Document Number: 002-30680			
Revision	ECN Number	Issue Date	Description of Change
**	6946816	08/10/2020	New kit guide.
*A	6984487	02/03/2021	Updated Safety and Regulatory Compliance Information chapter on page 5: Removed description. Added " Regulatory Compliance Information " on page 5. Updated Introduction chapter on page 7: Updated description. Updated " Getting Started " on page 9: Updated description. Updated " Board Details " on page 9: Updated description. Updated Kit Operation chapter on page 18: Updated " Theory of Operation " on page 18: Updated description. Updated Figure 2-1 . Updated Figure 2-3 . Updated Figure 2-4 . Updated Figure 2-5 . Updated " KitProg3: On-Board Programmer/Debugger " on page 24: Updated " Programming and Debugging using ModusToolbox " on page 24: Updated description. Updated " USB-I2C Bridge " on page 26: Updated Figure 2-9 .

Document Revision History (*continued*)

Document Title: CY8CKIT-064S0S2-4343W PSoC 64 Standard Secure – AWS Wi-Fi BT Pioneer Kit Guide			
Document Number: 002-30680			
Revision	ECN Number	Issue Date	Description of Change
*A	6984487	02/03/2021	<p>Updated Hardware chapter on page 29:</p> <p>Updated “Schematics” on page 29:</p> <p>Updated hyperlinks.</p> <p>Updated “Hardware Functional Description” on page 29:</p> <p>Updated “CY8CMOD-064S0S2-4343W (MOD1)” on page 29:</p> <p>Updated description.</p> <p>Updated hyperlinks.</p> <p>Updated “Serial Interconnection between PSoC 5LP and PSoC 64 MCU” on page 35:</p> <p>Updated Figure 4-3.</p> <p>Updated “Serial Interconnection between PSoC 5LP and CYW4343W” on page 36:</p> <p>Updated description.</p> <p>Updated “Power Supply System” on page 36:</p> <p>Updated “Voltage Selection” on page 38:</p> <p>Updated description.</p> <p>Updated “LEDs” on page 42:</p> <p>Updated Table 4-3.</p> <p>Updated “Cypress Quad SPI F-RAM” on page 44:</p> <p>Updated description.</p> <p>Updated “PSoC 64 Standard Secure – AWS Wi-Fi BT Pioneer Kit Rework” on page 46:</p> <p>Updated “U.FL (UMCC) Connector for External Antenna” on page 47:</p> <p>Updated description.</p> <p>Updated “Bill of Materials” on page 48:</p> <p>Updated hyperlinks.</p> <p>Updated “Frequently Asked Questions” on page 48:</p> <p>Updated description.</p>
*B	7113449	03/30/2021	<p>Updated Safety and Regulatory Compliance Information chapter on page 5:</p> <p>Updated “Regulatory Compliance Information” on page 5:</p> <p>Updated description.</p>
*C	7134364	05/05/2021	<p>Updated Safety and Regulatory Compliance Information chapter on page 5:</p> <p>Updated “Regulatory Compliance Information” on page 5:</p> <p>Updated description.</p>

X-ON Electronics

Largest Supplier of Electrical and Electronic Components

Click to view similar products for [Development Boards & Kits - ARM category](#):

Click to view products by [Infineon manufacturer](#):

Other Similar products are found below :

[EVALSPEAR320CPU](#) [EVALSP320SPLC](#) [SK-FM3-100PMC-MB9BF516N](#) [OM13090UL](#) [YGRPEACHNORMAL](#) [SK-FM3-176PMC-ETHERNET](#) [OM13076UL](#) [3580](#) [LS1088ARDB-PB](#) [HGD-TELEM915](#) [HGD-TELEM433](#) [LPC55S28-EVK](#) [YR0K77210B000BE](#) [RTK7EKA2L1S00001BE](#) [ADP-R6801-00B](#) [EVK-R6801-00B](#) [BPI-PICOW-S3](#) [READY FOR AVR BOARD](#) [READY FOR PIC BOARD](#) [READY FOR PIC \(DIP28\)](#) [EVB-VF522R3](#) [MCIMX50EVK](#) [MCIMX53-START-R](#) [AVRPLC16 V6 PLC SYSTEM](#) [MIKROLAB FOR AVR XL](#) [MIKROLAB FOR PIC L](#) [MINI-AT BOARD - 5V](#) [MINI-M4 FOR STELLARIS](#) [MCU-RGB-BOARD](#) [MOD-09.Z](#) [1410](#) [LETS MAKE PROJECT PROGRAM](#) [RELAY PIC](#) [YSDKS128E10](#) [YSTBS5D5E10](#) [LPC-H2294](#) [DSPIC-READY2 BOARD](#) [DSPIC-READY3 BOARD](#) [MIKROBOARD FOR ARM 64-PIN](#) [MIKROLAB FOR AVR L](#) [MIKROLAB FOR DSPIC](#) [MIKROLAB FOR DSPIC XL](#) [MIKROLAB FOR PIC32](#) [MIKROLAB FOR TIVA](#) [EASYAVR V7](#) [EASYMX PRO V7 FOR STM32](#) [EASYPIC FUSION V7](#) [MINI-32 BOARD](#) [MINI-AT BOARD - 3.3V](#) [MINI-M0 FOR STM32](#) [MINI-M4 FOR TIVA](#)