



**Please note that Cypress is an Infineon Technologies Company.**

The document following this cover page is marked as “Cypress” document as this is the company that originally developed the product. Please note that Infineon will continue to offer the product to new and existing customers as part of the Infineon product portfolio.

**Continuity of document content**

The fact that Infineon offers the following product as part of the Infineon product portfolio does not lead to any changes to this document. Future revisions will occur when appropriate, and any changes will be set out on the document history page.

**Continuity of ordering part numbers**

Infineon continues to support existing part numbers. Please continue to use the ordering part numbers listed in the datasheet for ordering.



# EZ-PD™ CCG3PA Automotive Datasheet

## USB Type-C Port Controller

### General Description

EZ-PD™ CCG3PA Automotive (EZ-PD™ CYPD319X) devices are Cypress' highly integrated USB Type-C port controllers that comply with the latest USB Type-C and Power Delivery (PD) standards and are targeted for automotive charger applications such as rear seat chargers, infotainment head unit chargers, and rear seat entertainment chargers. In such applications, CYPD319X devices provide additional functionalities and BOM integration advantages. CYPD319X uses Cypress' proprietary M0S8 technology with a 32-bit Arm® Cortex®-M0 processor, 64-KB flash, a complete Type-C USB-PD transceiver, all termination resistors required for a Type-C port, an integrated feedback control circuitry for voltage (VBUS) regulation, and system-level ESD protection. They are available in 24-pin QFN wettable flank packages. The inclusion of a fully programmable MCU with analog and digital peripherals allows the implementation of custom system management functions such as power throttling, load sharing, and temperature monitoring.

### Features

#### Type-C Support and USB-PD Support

- Supports USB PD3.0 Version 1.1 including Programmable Power Supply Mode
- Configurable resistors  $R_P$  and  $R_D$
- Supports one USB Type-C port and one Type-A port

#### 2x Legacy/Proprietary Charging Blocks

- Supports QC 4.0, Apple charging 2.4A, AFC, BC 1.2
- Integrates all required terminations on DP/DM lines

#### Integrated Voltage (VBUS) Regulation and Current Sense Amplifier

- Integrated shunt regulator function for VBUS control
- Constant current or constant voltage mode
- Supports current sensing for constant current control

#### System-Level Fault Protection

- VBUS-to-CC Short Protection
- On-chip VBUS, OVP, OCP, UVP, and SCP
- Supports OTP through integrated ADC circuit and internal temperature sensor

#### 32-bit MCU Subsystem

- Arm Cortex-M0 CPU
- 64-KB Flash
- 8-KB SRAM

#### Clocks and Oscillators

- Integrated oscillator eliminating the need for external clock

#### Power

- 3.0-V to 24.5-V operation (30-V tolerant)

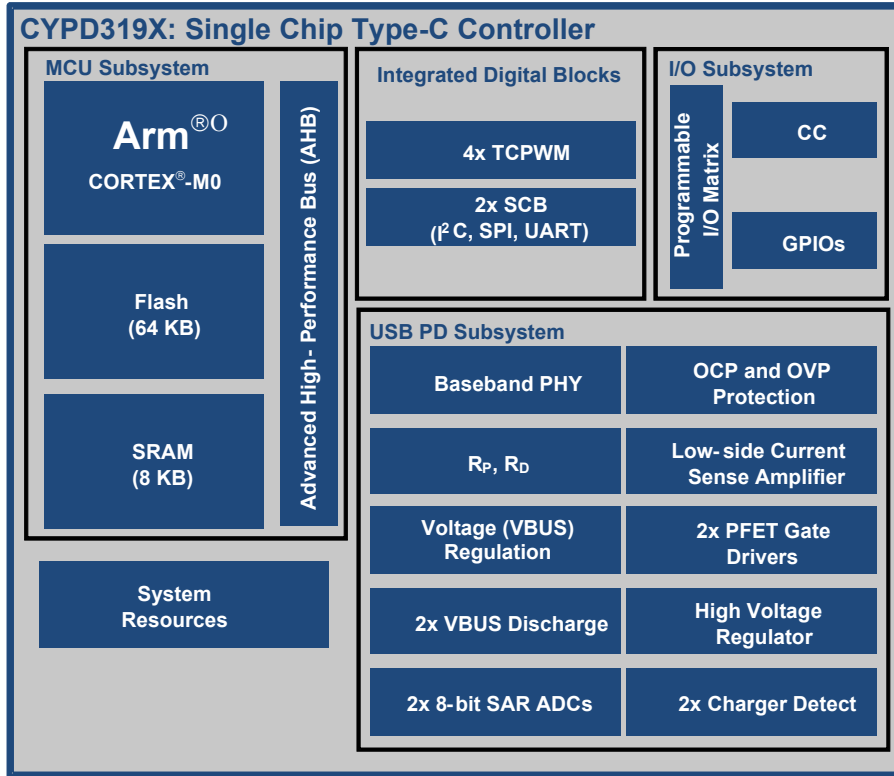
#### System-Level ESD Protection

- On CC, VBUS\_C\_MON\_DISCHARGE, DP0, DM0, P2.2, and P2.3 pins
- ±8-kV Contact Discharge and ±15-kV Air Gap Discharge based on IEC61000-4-2 level 4C

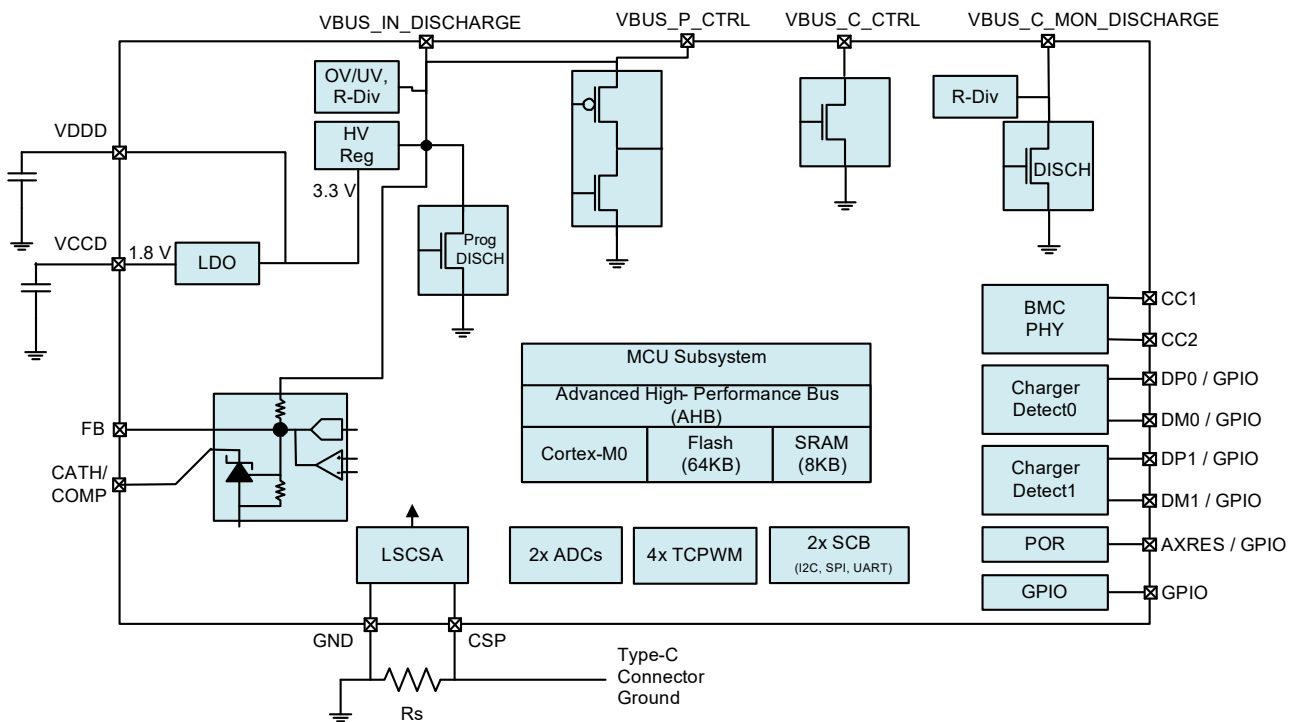
#### Packages

- 24-pin QFN, wettable flank, AEC-Q100
- Supports automotive temperature range (−40 °C to +105 °C)

## Logic Block Diagram



## Internal Block Diagram



## Contents

<b>Functional Overview</b> .....	<b>4</b>	System Resources .....	23
MCU Subsystem .....	4	<b>Ordering Information</b> .....	<b>30</b>
USB-PD Subsystem (SS) .....	4	Ordering Code Definitions .....	30
Integrated Digital Blocks .....	5	<b>Packaging</b> .....	<b>31</b>
I/O Subsystem .....	5	<b>Acronyms</b> .....	<b>33</b>
<b>Power Systems Overview</b> .....	<b>6</b>	<b>Document Conventions</b> .....	<b>34</b>
<b>Pinouts</b> .....	<b>7</b>	Units of Measure .....	34
<b>CYPD319X Programming and Bootloading</b> .....	<b>9</b>	<b>Document History Page</b> .....	<b>35</b>
Programming the Device Flash over SWD Interface ...	9	<b>Sales, Solutions, and Legal Information</b> .....	<b>36</b>
Application Firmware Update over CC Interface .....	10	Worldwide Sales and Design Support .....	36
<b>Application Diagrams</b> .....	<b>11</b>	Products .....	36
<b>Electrical Specifications</b> .....	<b>17</b>	PSoC® Solutions .....	36
Absolute Maximum Ratings .....	17	Cypress Developer Community .....	36
Device-Level Specifications .....	18	Technical Support .....	36
Digital Peripherals .....	21		

## Functional Overview

### MCU Subsystem

#### CPU

The Cortex-M0 CPU in CYPD319X devices is part of the 32-bit MCU subsystem, which is optimized for low-power operation with extensive clock gating.

The CPU also includes a serial wire debug (SWD) interface, which is a two-wire form of JTAG. The debug configuration used for CYPD319X devices has four break-point (address) comparators and two watchpoint (data) comparators.

#### Flash

CYPD319X devices have a flash module with one bank of 64-KB flash, a flash accelerator, tightly coupled to the CPU to improve average access times from the flash block.

#### SRAM

A supervisory ROM that contains boot and configuration routines is provided.

### USB-PD Subsystem (SS)

The USB-PD subsystem provides the interface to the Type-C USB port. This subsystem comprises a current sense amplifier, a high-voltage regulator, overvoltage protection (OVP), overcurrent protection (OCP), and supply switch blocks. This subsystem also includes all ESD required and supported on the Type-C port.

#### USB-PD Physical Layer

The USB-PD Physical Layer consists of a transmitter and receiver that communicate BMC-encoded data over the CC channel based on the PD 3.0 standard. All communication is half-duplex. The Physical Layer or PHY practices collision avoidance to minimize communication errors on the channel.

The USB-PD block includes all termination resistors ( $R_P$  and  $R_D$ ) and their switches as required by the USB-PD specification.  $R_P$  and  $R_D$  resistors are required to implement connection detection and plug orientation detection, and establish USB DFP/UFP roles. The  $R_P$  resistor is implemented as a current source.

According to the USB Type-C specification, Type-C controllers such as CYPD319X devices must present certain termination resistors depending on its role in its unpowered state. As a car charger, CYPD319X devices are in a DFP role (as a power source), which requires both CC lines to be open.

#### ADC

The ADC is a low-footprint 8-bit SAR ADC that is available for general-purpose A/D conversion applications in the device. This ADC can be accessed from all GPIOs and the DP/DM pins through an on-chip analog mux. CYPD319X devices contain two instances of the ADC.

The voltage reference for the ADCs is generated either from the VDD supply or from internal bandgap. When sensing the GPIO pin voltage with an ADC, the pin voltage cannot exceed the VDDIO supply value.

#### Charger Detection

The two charger detection blocks connected to the two pairs of DP/DM pins allow CYPD319X devices in DFP mode to detect conventional battery chargers conforming to BC 1.2, and the following proprietary charger specifications: Apple, Qualcomm's QuickCharge 4.0, and Samsung AFC.

#### VBUS Overcurrent and Overvoltage Protection

CYPD319X devices have an integrated hardware block for VBUS OVP/OCP with configurable thresholds and response times on the Type-C port.

#### VBUS Short Protection

CYPD319X devices provide four VBUS short protection pins: CC1, CC2, P2.2, and P2.3. These pins are protected from accidental shorts to high-voltage VBUS. Accidental shorts may occur because the CC1 and CC2 pins are placed next to the VBUS pins in the USB Type-C connector. A Power Delivery controller without the high-voltage VBUS short protection will be damaged in the event of accidental shorts. When the protection circuit is triggered, CYPD319X devices can handle up to 17 V forever and between 17 V to 22 VDC for 1000 hours on the OVT pins. When a VBUS short event occurs on the CC pins, a temporary high-ringing voltage is observed due to the RLC elements in the USB Type-C cable. Without the CYPD319X devices connected, this ringing voltage can be twice (44 V) the maximum VBUS voltage (21.5 V). However, when CYPD319X devices are connected, they are capable of clamping temporary high-ringing voltage and protecting the CC pin using IEC ESD protection diodes.

#### Current Sense Amplifier (CSA)

CYPD319X devices also have an integrated current sense amplifier that is capable of detecting current in the order of 100 mA across a 5-m $\Omega$  external resistor. It also supports constant current mode of operation in charging applications.

#### PFET Gate Drivers on VBUS Path

CYPD319X devices have two integrated PFET gate drivers to drive external PFETs on the VBUS provider and consumer path. The VBUS\_P\_CTRL gate driver has an active pull-up, and thus can drive high, low, or High-Z.

The VBUS\_C\_CTRL gate driver can drive only low or high-Z, thus requiring an external pull-up. These pins are VBUS voltage-tolerant.

#### VBUS Discharge FETs

CYPD319X devices also have two integrated VBUS discharge FETs used to discharge VBUS to meet the USB-PD specification timing on a detach condition. The VBUS discharge FET on the provider side can be used to accelerate the ramp down of VBUS to the default 5 V on the secondary side.

#### Voltage (VBUS) Regulation

CYPD319X devices contain an integrated feedback control circuitry with analog regulation of the feedback pin to achieve the appropriate voltage on VBUS pin according to the negotiated contract with the peer device over Type-C.

## Integrated Digital Blocks

### Serial Communication Blocks (SCB)

CYPD319X devices have two SCBs, which can be configured to implement an I<sup>2</sup>C, SPI, or UART interface. The hardware I<sup>2</sup>C blocks implement full multi-master and slave interfaces capable of multimaster arbitration. In the SPI mode, the SCB blocks can be configured to act as master or slave.

In the I<sup>2</sup>C mode, the SCB blocks are capable of operating at speeds of up to 1 Mbps (Fast-mode Plus) and have flexible buffering options to reduce interrupt overhead and latency for the CPU. These blocks also support I<sup>2</sup>C that creates a mailbox address range in the memory of CYPD319X devices and effectively reduces I<sup>2</sup>C communication to reading from and writing to an array in memory. In addition, the blocks support 8-deep FIFOs for receive and transmit which, by increasing the time given for the CPU to read data, greatly reduce the need for clock stretching caused by the CPU not having read the data on time.

The I<sup>2</sup>C peripherals are compatible with the I<sup>2</sup>C Standard-mode, Fast-mode, and Fast-mode Plus devices as defined in the NXP I<sup>2</sup>C-bus specification and user manual (UM10204). The I<sup>2</sup>C bus I/Os are implemented with GPIO in open-drain modes.

The I<sup>2</sup>C port on the SCB blocks of CYPD319X devices is not completely compliant with the I<sup>2</sup>C specification in the following aspects:

- GPIO cells for the SCB 1 I<sup>2</sup>C port are not overvoltage-tolerant and, therefore, cannot be hot-swapped or powered up independent of the rest of the I<sup>2</sup>C system.
- Fast-mode Plus has an I<sub>OL</sub> specification of 20 mA at a V<sub>OL</sub> of 0.4 V. The GPIO cells can sink a maximum of 8-mA I<sub>OL</sub> with a V<sub>OL</sub> maximum of 0.6 V.
- Fast-mode and Fast-mode Plus specify minimum fall times, which are not met with the GPIO cell; Slow strong mode can help meet this spec depending on the bus load.

### Timer/Counter/PWM Block (TCPWM)

CYPD319X devices have four TCPWM blocks. Each implements a 16-bit timer, counter, pulse-width modulator (PWM), and quadrature decoder functionality. The block can be used to measure the period and pulse width of an input signal (timer), find the number of times a particular event occurs (counter), generate PWM signals, or decode quadrature signals.

## I/O Subsystem

CYPD319X devices have up to 12 GPIOs some of which can be re-purposed to support SCB functions (I<sup>2</sup>C, UART, SPI). GPIO pins P0.0 and P0.1 are overvoltage-tolerant (OVT) (up to 7 V).

The GPIO block implements the following:

- Seven drive strength modes:
  - Input only
  - Weak pull-up with strong pull-down
  - Strong pull-up with weak pull-down
  - Open drain with strong pull-down
  - Open drain with strong pull-up
  - Strong pull-up with strong pull-down
  - Weak pull-up with weak pull-down
- Input threshold select (CMOS or LVTTL)
- Individual control of input and output buffer enabling/disabling in addition to the drive strength modes
- Hold mode to latch previous state (used to retain the I/O state in Deep Sleep mode)
- Selectable slew rates for dV/dt related noise control to improve EMI

During power-on and reset, I/O pins are forced to the disable state so as to not crowbar any inputs and/or cause excess turn-on current. A multiplexing network known as a high-speed I/O matrix is used to multiplex between various signals that may connect to an I/O pin.

Port pins P1.0 and P1.1 can be configured to indicate a fault for OCP/SCP/OVP/UVF conditions. Any two fault conditions can be mapped to two GPIOs, or all four faults can be OR'ed to indicate over one GPIO.

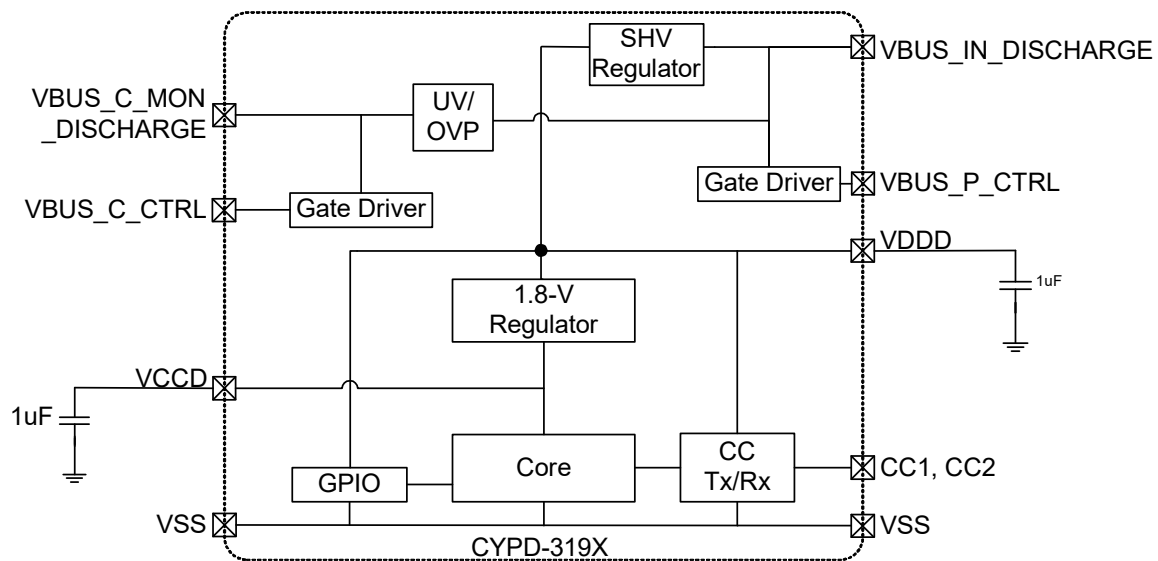
## Power Systems Overview

CYPD319X devices can operate from two possible external supply sources: VBUS\_IN\_DISCHARGE (3.0 V–24.5 V) or VDDD (2.7 V–5.5 V). When powered through VBUS\_IN\_DISCHARGE, the internal regulator generates VDDD of 3.3 V for device operation. The regulated supply, VDDD, is either used directly inside some analog blocks or further regulated down to VCCD (1.8 V), which powers majority of the core using the regulators. CYPD319X devices have three different power modes: Active, Sleep, and Deep Sleep. Transitions between these power modes are managed by the power system. When powered through the VBUS\_IN\_DISCHARGE pin, VDDD cannot be used to power external devices and should be connected to a 1-μF capacitor for regulator stability only. These pins are not supported as power supplies. Refer to the application diagrams for capacitor connections.

**Table 1. CYPD319X Power Modes**

Mode	Description
Power-On Reset (POR)	Power is valid and an internal reset source is asserted, or SleepController is sequencing the system out of reset.
ACTIVE	Power is valid and CPU is executing instructions.
SLEEP	Power is valid and CPU is not executing instructions. All logic that is not operating is clock-gated to save power.
DEEP SLEEP	Main regulator and most blocks are shut off. DeepSleep regulator powers logic, but only low-frequency clock is available.

**Figure 1. Power System Requirement Block Diagram**



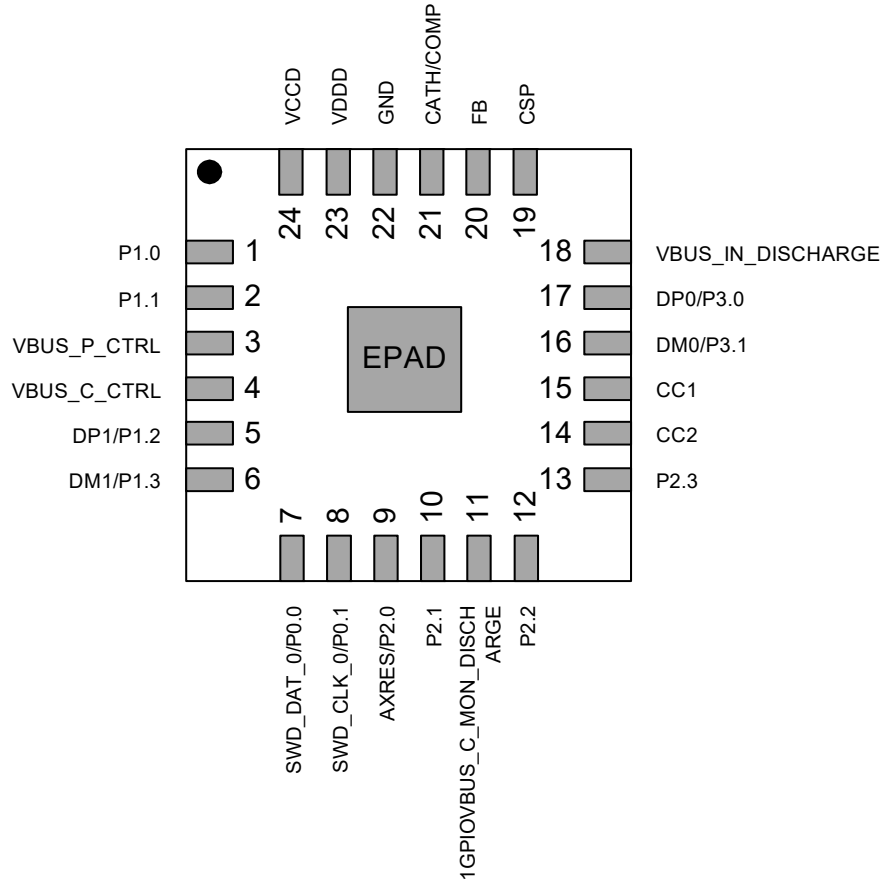
## Pinouts

**Table 2. Pin Descriptions**

24-Pin QFN	Pin Name	Description
1	P1.0	Port 1 pin 0: GPIO/UART_1_CTS/I2C_SDA_1 / TCPWM_line_0, Programmable SCP/OCP/OVP/UVP Fault indication
2	P1.1	Port 1 pin 1: GPIO/UART_1_RTS/I2C_SCL_1 / TCPWM_line_1, Programmable SCP/OCP/OVP/UVP Fault indication
3	VBUS_P_CTRL	Provider (PMOS) FET control (30-V tolerant) 0: Path ON 1: Path OFF
4	VBUS_C_CTRL	VBUS consumer (PMOS) FET control (30-V tolerant) 0: Path ON Z: Path OFF
5	DP1/P1.2	USB D+/Port 1 pin 2: GPIO/UART_1_TX1/AFC/QC/BC 1.2/Apple Charging/No IEC
6	DM1/P1.3	USB D-/Port 1 pin 3: GPIO/UART_1_RX1/AFC/QC/BC 1.2/Apple Charging/No IEC
7	SWD_DAT_0/P0.0	Port 0 pin 0: GPIO/OVT/I2C_SDA_0/TCPWM_line_0/UART_0_CTS
8	SWD_CLK_0/P0.1	Port 0 pin 1: GPIO/OVT/I2C_SCL_0/TCPWM_line_1/UART_0_RTS
9	AXRES/P2.0	Port 2 pin 0: GPIO/Alternate XRES/TCPWM_line_0//UART_0_TX0
10	P2.1	Port 2 pin 1: GPIO/TCPWM_line_1//UART_0_RX0
11	VBUS_C_MON_DIS-CHARGE	Type-C VBUS Monitor with Internal Discharge FET
12	P2.2	Port 2 pin 2: GPIO with open drain with pull-up assist. Configurable as GPIO_20VT/I2C_SDA_1/IEC. Tolerant to temporary short to VBUS pin.
13	P2.3	Port 2 pin 3: GPIO with open drain with pull-up assist. Configurable as GPIO_20VT/I2C_SCL_1/IEC. Tolerant to temporary short to VBUS pin.
14	CC2	Communication Channel 2 with Dead-battery Rd Bonding Option/IEC. Tolerant to temporary short to VBUS pin.
15	CC1	Communication Channel 1 with Dead-battery Rd Bonding Option/IEC. Tolerant to temporary short to VBUS pin.
16	DM0/P3.1	USB D-/Port 3 pin 1: GPIO/UART_1_RX0/AFC/QC/BC 1.2/Apple Charging/IEC
17	DP0/P3.0	USB D+/Port 3 pin 0: GPIO/UART_1_TX0/AFC/QC/BC 1.2/Apple Charging/IEC
18	VBUS_IN_DISCHARGE	VBUS power IN (3.0 V–24.5 V) with internal discharge FET
19	CSP	CS+: Current sense input
20	FB	Voltage regulation feedback pin
21	CATH/COMP	Cathode of voltage regulation and compensation for other applications
22	GND	Ground
23	VDDD	Power input: 2.7 V–5.5 V
24	VCCD	1.8-V core voltage pin (not intended for use as a power source)
–	EPAD	Ground



Figure 2. 24-QFN Package Pinout (Top View)



## CYPD319X Programming and Bootloading

There are two ways to program the application firmware into a CYPD319X device:

- Programming the device flash over the SWD Interface
- Application firmware update over the CC interface

Generally, CYPD319X devices are programmed over the SWD interface only during development or during the manufacturing process of the end product. After the end product is manufactured, the CYPD319X device's application firmware can be updated via the CC bootloader interface.

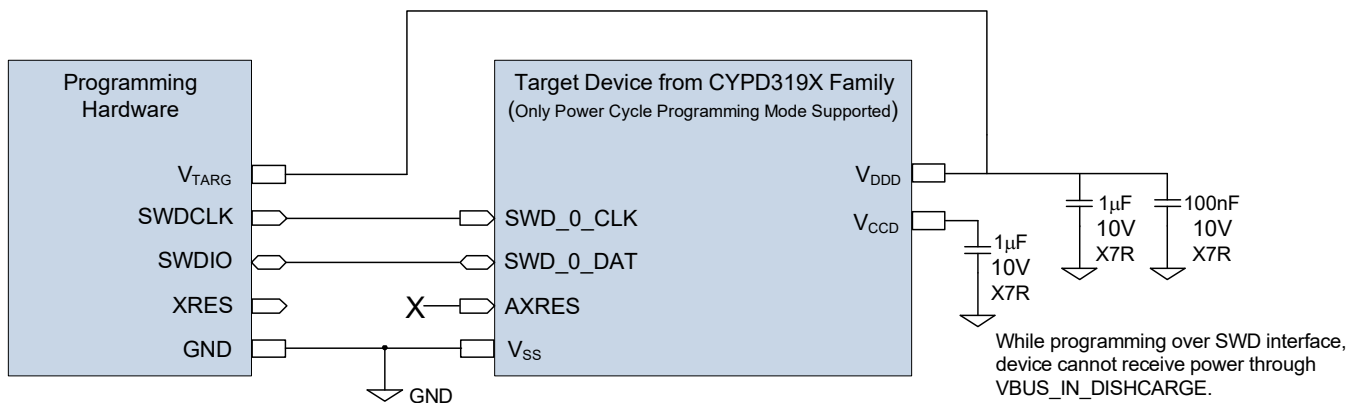
### Programming the Device Flash over SWD Interface

CYPD319X devices can be programmed using the SWD interface. Cypress provides a programming kit, [CY8CKIT-002 MiniProg3 Kit](#) and [PSoC Programmer Software](#), which can be used to program the flash as well as debug firmware. The flash is programmed by downloading the information from a hex file. This hex file is a binary file generated as an output of building the firmware project in [PSoC Creator Software](#). Click [here](#) for more information on how to use the MiniProg3 programmer. There are many third-party programmers that support mass programming in a manufacturing environment.

As shown in the block diagram in [Figure 3](#), the SWD\_0\_DAT and SWD\_0\_CLK pins are connected to the host programmer's SWDIO (data) and SWDCLK (clock) pins respectively. During SWD programming, CYPD319X devices must be powered by the host programmer by connecting its VTARG (power supply to the target device) to the VDDD pin of a CYPD319X device. While programming over the SWD interface, the CYPD319X device cannot receive power through VBUS\_IN\_DISCHARGE.

CYPD319X devices do not have an XRES pin. Due to that, the XRES line from the host programmer remains unconnected; therefore, programming using Reset mode is not supported. In other words, CYPD319X devices are supported by Power Cycle programming mode only because the XRES line is not used. Contact Cypress for further details on CYPD3XXX Programming Specifications.

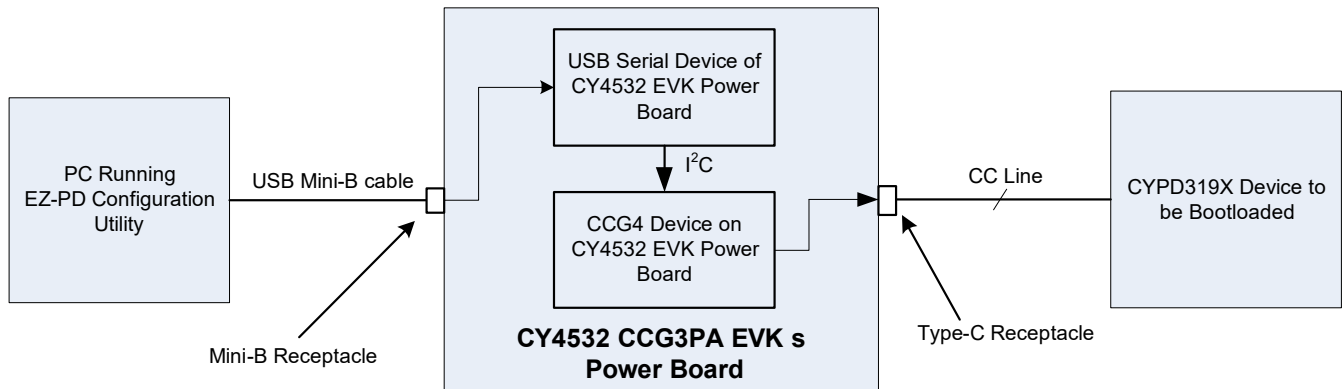
**Figure 3. Connecting the Programmer to CYPD319X Device**



### Application Firmware Update over CC Interface

For bootloading CYPD319X device-based applications, the CY4532 CCG3PA EVK can be used to send programming and configuration data as Cypress-specific Vendor Defined Messages (VDMs) over the CC line. To bootload the CYPD319X device, the CY4532 CCG3PA EVK's power board is connected to the system containing the CYPD319X device on one end and a Windows PC running the EZ-PD™ Configuration Utility on the other end, as shown in [Figure 4](#).

**Figure 4. Application Firmware Update over CC Interface**

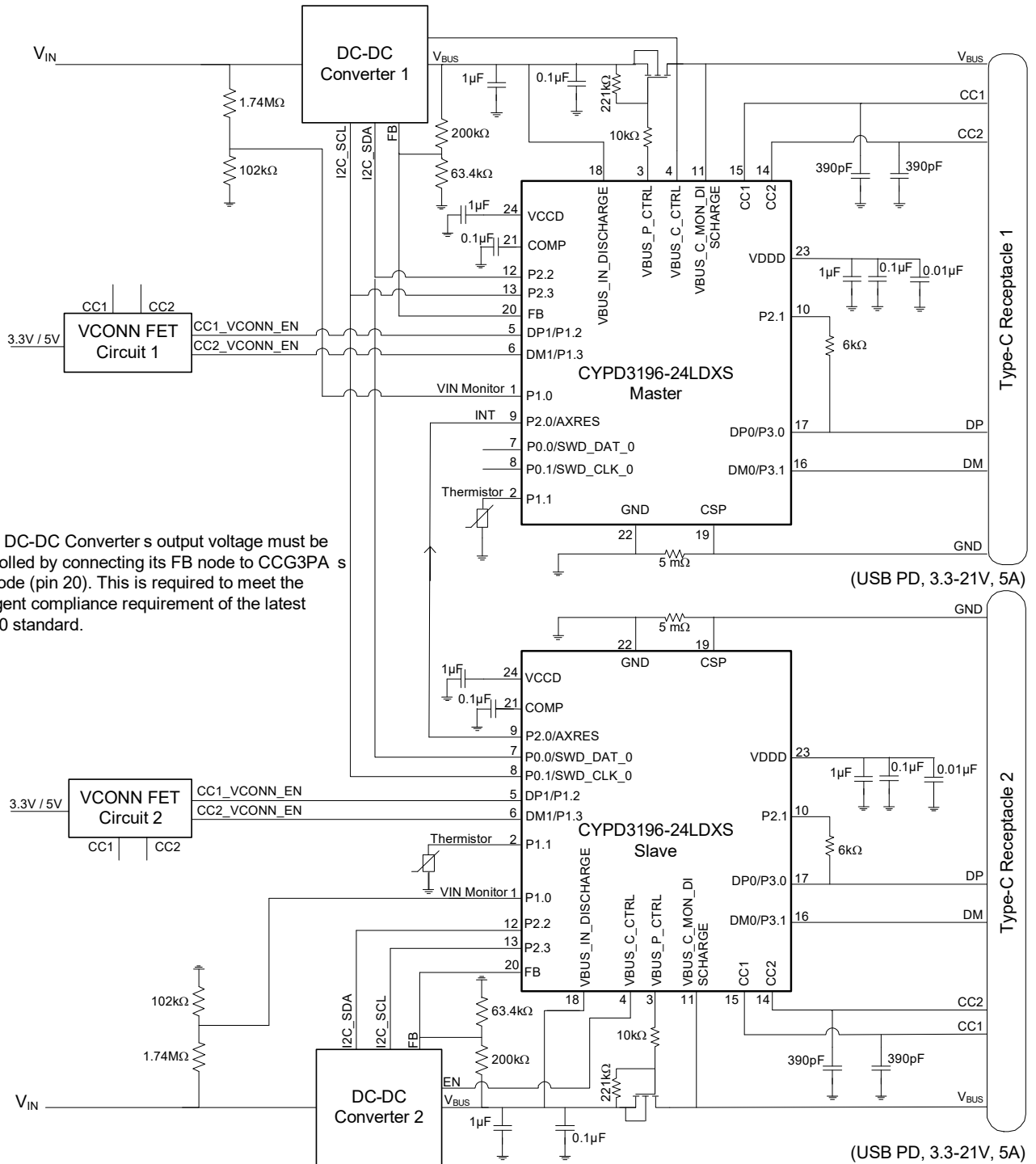


Application Firmware (FW) update feature over CC interface is intended for use during development and manufacturing. Cypress strongly recommends customers to use the [EZ-PD Configuration Utility](#) to turn off the Application FW Update over CC interface in the firmware that is updated into the CYPD319X device's flash before mass production. This prevents unauthorized firmware from being updated over CC-interface in the field. Refer to the knowledge base article [KBA230192](#) on how to configure this in EZ-PD Configuration Utility.

If you desire to retain the Application Firmware update over CC interface feature post-production for on-field firmware updates, contact [Cypress Sales](#) for further guidelines.

## Application Diagrams

Figure 5. Dual Port USB-PD Charge Only Application Diagram Using CYPD3196-24LDXS

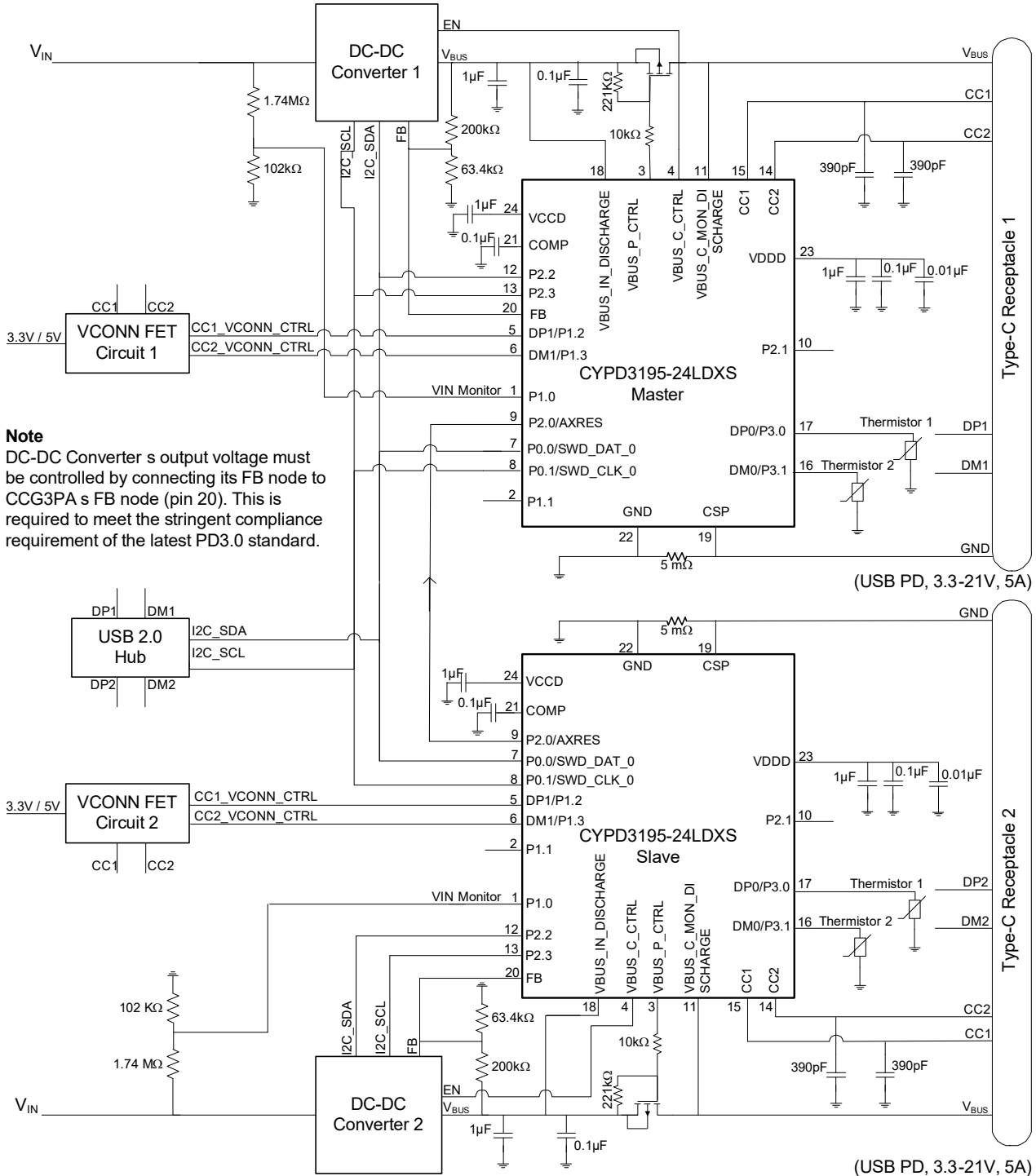


**Note** Refer to Cypress 2x100W Auto reference design files for a detailed schematic and layout.

**Table 3. Pin Descriptions Specific to Application Diagram in Figure 5**

24-Pin QFN	Pin Name	Description
1	P1.0	VIN Monitoring GPIO
2	P1.1	Thermistor
3	VBUS_P_CTRL	Provider (PMOS) FET control (30-V tolerant)
4	VBUS_C_CTRL	Enable DC-DC regulator. This is an optional connection; leave this pin floating if the DC-DC converter is always enabled.
5	DP1/P1.2	Enables CC1 VCONN FET
6	DM1/P1.3	Enables CC2 VCONN FET
7	P0.0/SWD_DAT_0	Master: Free Slave: I2C Slave SDA for Load Sharing Connect to the host programmer's SWDIO (data) for programming the CCG3PA device
8	P0.1/SWD_CLK_0	Master: Free Slave: I2C Slave SCL for Load Sharing Connect to the host programmer's SWDCLK (clock) for programming the CCG3PA
9	P2.0/AXRES	Interrupt from Slave CCG3PA to Master CCG3PA
10	P2.1	GPIO drives 3.3-V output. Connect a 6-K resistor from this pin to DP to realize Apple charging. A 6-k resistor should be used if VDDD is 3.3 V and an 18-K resistor should be used if it is 5 V.
11	VBUS_C_MON_DISCHARGE	Type-C VBUS Monitor with Internal Discharge FET
12	P2.2/SWD_DAT_1	Master: I2C Master data for DC/DC regulator and for communicating with CCG3PA Slave for Load Sharing Slave: I2C Master data for DC/DC regulator
13	P2.3/SWD_CLK_1	Master: I2C Master clock for DC/DC regulator and for communicating with CCG3PA slave for Load Sharing Slave: I2C Master clock for DC/DC regulator
14	CC2	Communication Channel 2 or VCONN
15	CC1	Communication Channel 1 or VCONN
16	DM0/P3.1	USB D- of Type-C port. Supports BC 1.2, QC, Apple Charging and AFC.
17	DP0/P3.0	USB D+ of Type-C port. Supports BC 1.2, QC, Apple Charging and AFC
18	VBUS_IN_DISCHARGE	VBUS power IN (3.0 V–24.5 V) with internal discharge FET
19	CSP	CS+: Current sense input
20	FB	Voltage regulation feedback pin. Must be connected to the feedback node of DC-DC Converter. The pull-up resistor of the resistor divider network must be 200K; the pull-down resistor must be selected such that default VBUS upon power up is 5 V.
21	COMP	Compensation capacitor must be connected to this pin for PPS constant current loop.
22	GND	Ground
23	VDDD	Power input: 2.7 V–5.5 V
24	VCCD	1.8-V core voltage pin. Connect to a 1-uF capacitor.

Figure 6. Dual Port USB-PD Head Unit Application Diagram Using CYPD3195-24LDXS (Power and Data Connectivity)

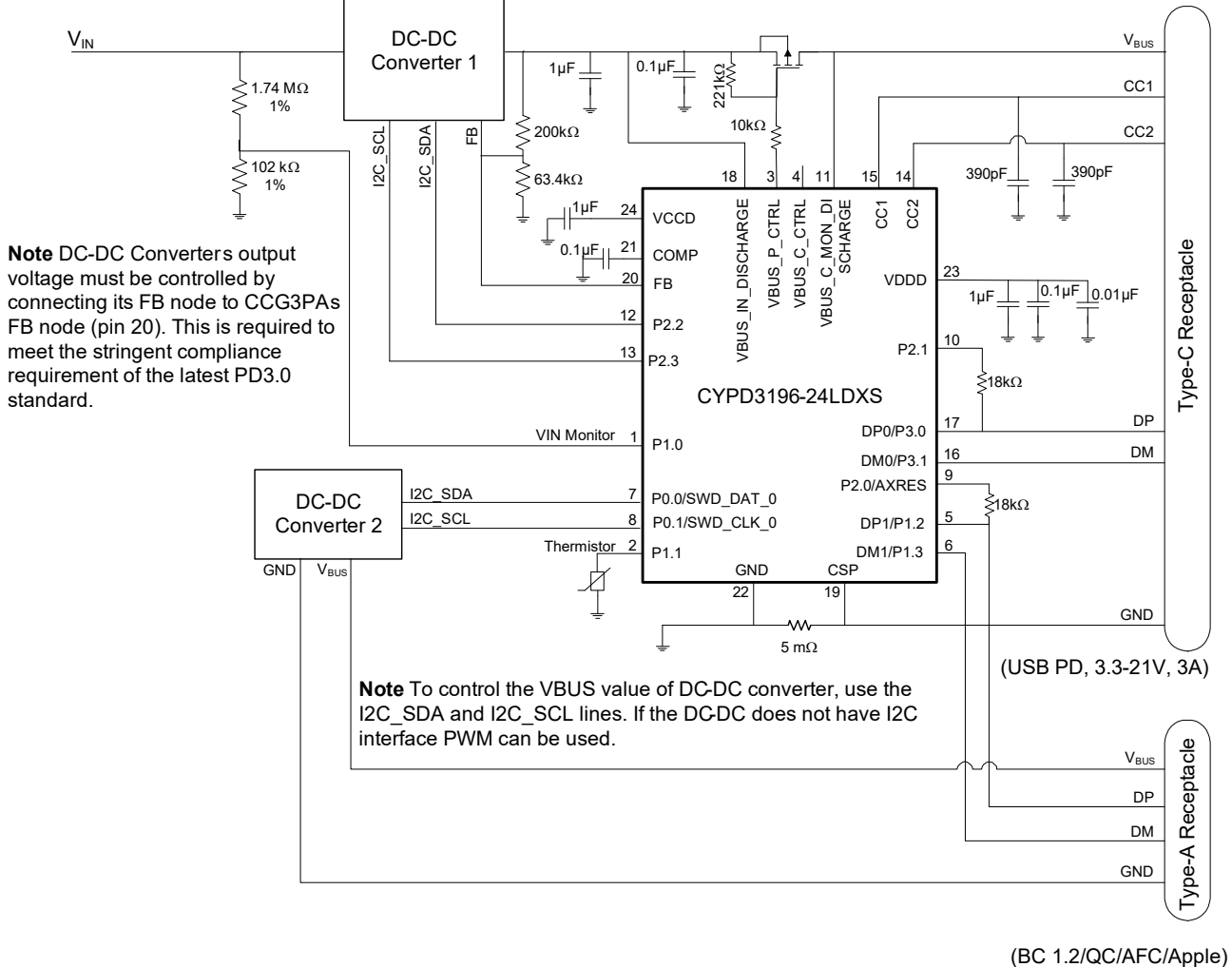


**Note**  
DC-DC Converter's output voltage must be controlled by connecting its FB node to CCG3PA's FB node (pin 20). This is required to meet the stringent compliance requirement of the latest PD3.0 standard.

**Table 4. Pin Descriptions Specific to Application Diagram in Figure 6**

24-Pin QFN	Pin Name	Description
1	P1.0	VIN Monitoring GPIO
2	P1.1	Free
3	VBUS_P_CTRL	Provider (PMOS) FET control (30-V tolerant)
4	VBUS_C_CTRL	Enable DC-DC regulator. This is an optional connection; leave this pin floating if the DC-DC converter is always enabled.
5	DP1/P1.2	Enables CC1 VCONN FET
6	DM1/P1.3	Enables CC2 VCONN FET
7	P0.0/SWD_DAT_0	Master: I2C Slave SDA for communicating with the USB 2.0 Hub Slave: I2C Slave SDA for Load Sharing and for communicating with the USB 2.0 Hub Connect to the host programmer's SWDIO (data) for programming the CCG3PA device
8	P0.1/SWD_CLK_0	Master: I2C Slave SCL for communicating with the USB 2.0 Hub Slave: I2C Slave SCL for Load Sharing and for communicating with the USB 2.0 Hub Connect to the host programmer's SWDCLK (clock) for programming the CCG3PA
9	P2.0/AXRES	Interrupt from Slave CCG3PA to Master CCG3PA
10	P2.1	Free
11	VBUS_C_MON_DISCHARGE	Type-C VBUS Monitor with Internal Discharge FET
12	P2.2/SWD_DAT_1	Master: I2C Master data for DC/DC regulator and for communicating with CCG3PA Slave for Load Sharing Slave: I2C Master data for DC/DC regulator
13	P2.3/SWD_CLK_1	Master: I2C Master clock for DC/DC regulator and for communicating with CCG3PA Slave for Load Sharing Slave: I2C Master clock for DC/DC regulator
14	CC2	Communication Channel 2 or VCONN
15	CC1	Communication Channel 1 or VCONN
16	DM0/P3.1	Thermistor 1
17	DP0/P3.0	Thermistor 2
18	VBUS_IN_DISCHARGE	VBUS power IN (3.0 V–24.5 V) with internal discharge FET
19	CSP	CS+: Current sense input
20	FB	Voltage regulation feedback pin. Must be connected to the feedback node of DC-DC Converter. The pull-up resistor of the resistor divider network must be 200K; the pull-down resistor must be selected such that default VBUS upon power up is 5 V.
21	COMP	Compensation capacitor must be connected to this pin for PPS constant current loop.
22	GND	Ground
23	VDDD	Power input: 2.7 V–5.5 V
24	VCCD	1.8-V core voltage pin. Connect to a 1-uF capacitor.

**Figure 7. Dual Port (Type-C and Type-A) USB-PD Car Charger Application Diagram Using CYPD3196-24LDXS**





**Table 5. Pin Descriptions Specific to Application Diagram in Figure 7**

24-Pin QFN	Pin Name	Description
1	P1.0	VIN monitoring GPIO
2	P1.1	Thermistor
3	VBUS_P_CTRL	Provider (PMOS) FET control (30-V tolerant)
4	VBUS_C_CTRL	Enable DC-DC regulator. This is an optional connection; leave this pin floating if the DC-DC converter is always enabled.
5	DP1/P1.2	USB D+ of Type-A port. Supports BC 1.2, QC, Apple Charging and AFC.
6	DM1/P1.3	USB D- of Type-A port. Supports BC 1.2, QC, Apple Charging and AFC.
7	P0.0/SWD_DAT_0	I2C Master SDA for controlling the DC/DC Converter for Type-A port
8	P0.1/SWD_CLK_0	I2C Master SCL for controlling the DC/DC Converter for Type-A port
9	P2.0/AXRES	GPIO drives 3.3-V output. Connect an 18-k resistor from this pin to DP to realize Apple charging. A 6-k resistor should be used if VDDD is 3.3 V and an 18-k resistor should be used if it is 5 V.
10	P2.1	GPIO drives 3.3-V output. Connect an 18-k resistor from this pin to DP to realize Apple charging. A 6-k resistor should be used if VDDD is 3.3 V and an 18-k resistor should be used if it is 5 V.
11	VBUS_C_MON_DISCHARGE	Type-C VBUS Monitor with Internal Discharge FET
12	P2.2/SWD_DAT_1	I2C Master data for DC/DC regulator
13	P2.3/SWD_CLK_1	I2C Master clock for DC/DC regulator
14	CC2	Communication Channel 2
15	CC1	Communication Channel 1
16	DM0/P3.1	USB D- of Type-C port. Supports BC 1.2, QC, Apple Charging and AFC.
17	DP0/P3.0	USB D+ of Type-C port. Supports BC 1.2, QC, Apple Charging and AFC.
18	VBUS_IN_DISCHARGE	VBUS power IN (3.0 V–24.5 V) with internal discharge FET
19	CSP	CS+: Current sense input
20	FB	Voltage regulation feedback pin. Must be connected to the feedback node of DC-DC Converter. The pull-up resistor of the resistor divider network must be 200K; the pull-down resistor must be selected such that default VBUS upon power up is 5 V.
21	COMP	Compensation capacitor must be connected to this pin for PPS constant current loop.
22	GND	Ground
23	VDDD	Power input: 2.7 V–5.5 V
24	VCCD	1.8-V core voltage pin. Connect to a 1-μF capacitor.

## Electrical Specifications

### Absolute Maximum Ratings

**Table 6. Absolute Maximum Ratings**

Parameter	Description	Min	Typ	Max	Units	Details/Conditions
V <sub>BUS_MAX</sub>	Max supply voltage relative to V <sub>SS</sub> on VBUS_IN_DISCHARGE and VBUS_C_MON_DISCHARGE pins	–	–	30	V	Absolute max
V <sub>DDD_MAX</sub>	Max supply voltage relative to V <sub>SS</sub>	–	–	6	V	
V <sub>CC_PIN_ABS</sub>	Max voltage on CC1, CC2 pins and port pins P2.2 and P2.3 for applicable devices	–	–	22 <sup>[1]</sup>	V	
V <sub>GPIO_ABS</sub>	GPIO voltage	–0.5	–	V <sub>DDD</sub> +0.5	V	
I <sub>GPIO_ABS</sub>	Maximum current per GPIO	–25	–	25	mA	
I <sub>GPIO_injection</sub>	GPIO injection current, Max for V <sub>IH</sub> > V <sub>DDD</sub> , and Min for V <sub>IL</sub> < V <sub>SS</sub>	–0.5	–	0.5	mA	Absolute max, current injected per pin
V <sub>GPIO_OVT_ABS</sub>	OVT GPIO voltage	–0.5	–	6	V	Applicable to port pins P0.0 and P0.1
ESD_HBM	Electrostatic discharge human body model	2200	–	–	V	–
ESD_CDM	Electrostatic discharge charged device model	500	–	–	V	–
LU	Pin current for latch-up	–100	–	100	mA	–
ESD_IEC_CON	Electrostatic discharge IEC61000-4-2	8000	–	–	V	Contact discharge on CC1, CC2, VBUS, P2.2, and P2.3 pins
ESD_IEC_AIR	Electrostatic discharge IEC61000-4-2	15000	–	–	V	Air discharge for DPLUS, DMINUS, CC1, CC2, VBUS, P2.2, and P2.3 pins

**Note**

1. As per USB PD specification, maximum allowed VBUS = 21.5 V.

**Device-Level Specifications**

 All specifications are valid for  $-40\text{ }^{\circ}\text{C} \leq T_A \leq 105\text{ }^{\circ}\text{C}$  and  $T_J \leq 120\text{ }^{\circ}\text{C}$ , except where noted.

**Table 7. DC Specifications**

Spec ID	Parameter	Description	Min	Typ	Max	Units	Details/Conditions
SID.PWR#2	V <sub>DDD</sub>	Power Supply Input Voltage	2.7	–	5.5	V	Sink mode, $-40\text{ }^{\circ}\text{C} \leq T_A \leq 105\text{ }^{\circ}\text{C}$ .
SID.PWR#2_A	V <sub>DDD</sub>	Power Supply Input Voltage	3.0	–	5.5	V	Source mode, $-40\text{ }^{\circ}\text{C} \leq T_A \leq 105\text{ }^{\circ}\text{C}$ .
SID.PWR#3	V <sub>BUS_IN</sub>	Power Supply Input Voltage	3.0	–	24.5	V	$-40\text{ }^{\circ}\text{C} \leq T_A \leq 105\text{ }^{\circ}\text{C}$ .
SID.PWR#5	V <sub>CCD</sub>	Output Voltage for core Logic	–	1.8	–	V	–
SID.PWR#13	C <sub>exc</sub>	Power supply decoupling capacitor for V <sub>DDD</sub>	0.8	1	–	μF	X5R ceramic or better
SID.PWR#14	C <sub>exv</sub>	Power supply decoupling capacitor for V <sub>BUS_IN_DISH-CHARGE</sub>	–	0.1	–	μF	X5R ceramic or better
<b>Active Mode. Typical values measured at V<sub>DDD</sub> = 5.0V or V<sub>BUS</sub> = 5.0 V and T<sub>A</sub> = 25 °C.</b>							
SID.PWR#8	I <sub>DD_A</sub>	Supply current from V <sub>BUS</sub> or V <sub>DDD</sub>	–	10	–	mA	V <sub>DDD</sub> = 5 V OR V <sub>BUS</sub> = 5 V, T <sub>A</sub> = 25 °C. CC1/CC2 in Tx or Rx, no I/O sourcing current, 2 SCBs at 1 Mbps, EA/ADC/CSA/UVOV ON, CPU at 24 MHz.
<b>Sleep Mode. Typical values measured at V<sub>DD</sub> = 3.3 V and T<sub>A</sub> = 25 °C.</b>							
SID25A	I <sub>DD_S</sub>	CC, I <sup>2</sup> C, WDT wakeup on. IMO at 24 MHz.	–	3	–	mA	V <sub>DDD</sub> = 3.3 V, T <sub>A</sub> = 25 °C, All blocks except CPU are on, CC IO on, EA/ADC/CSA/UVOV On.
<b>Deep Sleep Mode. Typical values measured at T<sub>A</sub> = 25 °C.</b>							
SID_PA_DS_UA	I <sub>DD_PA_DS_UA</sub>	V <sub>BUS</sub> = 4.5 to 5.5 V. CC Attach, I <sup>2</sup> C, WDT Wakeup on	–	100	–	μA	Power Adapter/Charger application Power Source = V <sub>BUS</sub> = 5 V, T <sub>A</sub> = 25 °C, Type-C Not Attached. CC Attach, I <sup>2</sup> C and WDT enabled for Wakeup.
SID_PA_DS_A	I <sub>DD_PA_DS_A</sub>	V <sub>BUS</sub> = 3.0 to 24.5 V. CC, I <sup>2</sup> C, WDT Wakeup on	–	500	–	μA	Power Adapter/Charger application V <sub>BUS</sub> = 24.5 V, T <sub>A</sub> = 25 °C, Part is in deep sleep. Attached, CC I/O on, ADC/CSA/UVOV On
SID_PB_DS_UA	I <sub>DD_PB_DS_UA</sub>	V <sub>DDD</sub> = 3.0 to 5.5 V. CC Attach, I <sup>2</sup> C, WDT Wakeup on	–	100	–	μA	Power Bank application Power Source = V <sub>DDD</sub> = 5 V, T <sub>A</sub> = 25 °C, Type-C Not Attached. CC Attach, I <sup>2</sup> C and WDT enabled for Wakeup.
SID_P-B_DS_A_SRC	I <sub>DD_P-B_DS_A_SRC</sub>	V <sub>DDD</sub> = 3.0 to 5.5 V. CC, I <sup>2</sup> C, WDT Wakeup on	–	500	–	μA	Power Bank Source application V <sub>DDD</sub> = 5 V, T <sub>A</sub> = 25 °C, Part is in deep sleep. Attached, CC I/O on, ADC/CSA/UVOV On.
SID_P-B_DS_A_SNK	I <sub>DD_P-B_DS_A_SNK</sub>	V <sub>BUS</sub> = 4.0 to 24.5 V. CC, I <sup>2</sup> C, WDT Wakeup on	–	500	–	μA	Power Bank Sink application V <sub>BUS</sub> = 24.5 V, T <sub>A</sub> = 25 °C, Part is in deep sleep. Attached, CC I/O on, ADC/CSA/UVOV On

**Table 8. AC Specifications (Guaranteed by Characterization)**

Spec ID	Parameter	Description	Min	Typ	Max	Units	Details/Conditions
SID.CLK#4	F <sub>CPU</sub>	CPU input frequency	DC	–	48	MHz	All V <sub>DDD</sub>
SID.PWR#17	T <sub>SLEEP</sub>	Wakeup from sleep mode	–	0	–	μs	–
SID.PWR#18	T <sub>DEEPSLEEP</sub>	Wakeup from Deep Sleep mode	–	–	35	μs	–
SYS.FES#1	T <sub>PWR_RDY</sub>	Power-up to “Ready to accept I <sup>2</sup> C/CC command”	–	5	25	ms	–
SID.PWR#18A	T <sub>POR_HIZ_T</sub>	Power-on I/O Initialization Time	–	3	–	ms	–

I/O

**Table 9. I/O DC Specifications**

Spec ID	Parameter	Description	Min	Typ	Max	Units	Details/Conditions
SID.GIO#37	V <sub>IH_CMOS</sub>	Input voltage HIGH threshold	0.7 × V <sub>DDD</sub>	–	–	V	CMOS input
SID.GIO#38	V <sub>IL_CMOS</sub>	Input voltage LOW threshold	–	–	0.3 × V <sub>DDD</sub>	V	CMOS input
SID.GIO#39	V <sub>IH_VDDD2.7-</sub>	LVTTL input, V <sub>DDD</sub> < 2.7 V	0.7 × V <sub>DDD</sub>	–	–	V	–
SID.GIO#40	V <sub>IL_VDDD2.7-</sub>	LVTTL input, V <sub>DDD</sub> < 2.7 V	–	–	0.3 × V <sub>DDD</sub>	V	–
SID.GIO#41	V <sub>IH_VDDD2.7+</sub>	LVTTL input, V <sub>DDD</sub> ≥ 2.7 V	2.0	–	–	V	–
SID.GIO#42	V <sub>IL_VDDD2.7+</sub>	LVTTL input, V <sub>DDD</sub> ≥ 2.7 V	–	–	0.8	V	–
SID.GIO#33	V <sub>OH_3V</sub>	Output voltage HIGH level	V <sub>DDD</sub> – 0.6	–	–	V	I <sub>OH</sub> = 4 mA at 3-V V <sub>DDD</sub>
SID.GIO#36	V <sub>OL_3V</sub>	Output voltage LOW level	–	–	0.6	V	I <sub>OL</sub> = 10 mA at 3-V V <sub>DDD</sub>
SID.GIO#5	R <sub>PU</sub>	Pull-up resistor value	3.5	5.6	8.5	kΩ	+25 °C T <sub>A</sub> , all V <sub>DDD</sub>
SID.GIO#6	R <sub>PD</sub>	Pull-down resistor value	3.5	5.6	8.5	kΩ	+25 °C T <sub>A</sub> , all V <sub>DDD</sub>
SID.GIO#16	I <sub>IL</sub>	Input leakage current (absolute value)	–	–	2	nA	+25 °C T <sub>A</sub> , 3-V V <sub>DDD</sub>
SID.GIO#17	C <sub>PIN_A</sub>	Max pin capacitance	–	–	22	pF	Capacitance on DP0, DM0, DP1, DM1, SBU1, SBU2 pins. Guaranteed by characterization.
SID.GIO#17A	C <sub>PIN</sub>	Max pin capacitance	–	3	7	pF	–40°C to +85°C T <sub>A</sub> , All V <sub>DDD</sub> , all other I/Os. Guaranteed by characterization.
SID.GIO#43	V <sub>HYSTTL</sub>	Input hysteresis, LVTTL V <sub>DDD</sub> > 2.7 V	15	40	–	mV	Guaranteed by characterization.
SID.GIO#44	V <sub>HYSCMOS</sub>	Input hysteresis CMOS	0.05 × V <sub>DDD</sub>	–	–	mV	V <sub>DDD</sub> < 4.5 V. Guaranteed by characterization.
SID69	I <sub>DIODE</sub>	Current through protection diode to V <sub>DDD</sub> /V <sub>SS</sub>	–	–	100	μA	Guaranteed by design.
SID.GIO#45	I <sub>TOT_GPIO</sub>	Maximum total sink chip current	–	–	85	mA	Guaranteed by design.
<b>OVT</b>							
SID.GIO#46	I <sub>IHS</sub>	Input current when Pad > V <sub>DDD</sub> for OVT inputs	–	–	10.00	μA	Per I <sup>2</sup> C specification

**Table 10. I/O AC Specifications**

(Guaranteed by Characterization)

Spec ID	Parameter	Description	Min	Typ	Max	Units	Details/Conditions
SID70	T <sub>RISEF</sub>	Rise time in Fast Strong mode	2	–	12	ns	3.3-V V <sub>DDD</sub> , C <sub>load</sub> = 25 pF
SID71	T <sub>FALLF</sub>	Fall time in Fast Strong mode	2	–	12	ns	3.3-V V <sub>DDD</sub> , C <sub>load</sub> = 25 pF

**Table 11. GPIO\_20VT DC Specifications (Applicable to port pins P2.2 and P2.3 only)**

(Guaranteed by Characterization)

Spec ID#	Parameter	Description	Min	Typ	Max	Units	Details / Conditions
SID.GPIO_20VT#4	GPIO_20VT_I_LU	GPIO_20VT Latch up current limits	–140	–	140	mA	Max / min current in to any input or output, pin-to-pin, pin-to-supply
SID.GPIO_20VT#5	GPIO_20VT_RPU	GPIO_20VT Pull-up resistor value	1	–	25	kΩ	+25 °C T <sub>A</sub> , 1.4 V to GPIO_20VT_Voh(min)
SID.GPIO_20VT#6	GPIO_20VT_RPD	GPIO_20VT Pull-down resistor value	2.5	–	20	kΩ	+25°C T <sub>A</sub> , 1.4-V to V <sub>DDD</sub>
SID.GPIO_20VT#16	GPIO_20VT_IIL	GPIO_20VT Input leakage current (absolute value)	–	–	2	nA	+25°C T <sub>A</sub> , 3-V V <sub>DDD</sub>
SID.GPIO_20VT#17	GPIO_20VT_CPIN	GPIO_20VT pin capacitance	15	–	25	pF	–40 °C to +85 °C T <sub>A</sub> , All V <sub>DDD</sub> , F = 1 MHz
SID.GPIO_20VT#33	GPIO_20VT_Voh	GPIO_20VT Output Voltage high level.	2	–	–	V	I <sub>OH</sub> = -0.5 mA
SID.GPIO_20VT#36	GPIO_20VT_Vol	GPIO_20VT Output Voltage low level.	–	–	0.4	V	I <sub>OL</sub> = 2 mA
SID.GPIO_20VT#41	GPIO_20VT_Vih_LVTTL	GPIO_20VT LVTTTL Input Voltage high level.	2	–	–	V	V <sub>DDD</sub> ≥ 2.7 V
SID.GPIO_20VT#42	GPIO_20VT_Vil_LVTTL	GPIO_20VT LVTTTL Input Voltage low level.	–	–	0.8	V	V <sub>DDD</sub> ≥ 2.7 V
SID.GPIO_20VT#43	GPIO_20VT_Vhysttl	GPIO_20VT Input hysteresis LVTTTL	15	40	–	mV	V <sub>DDD</sub> ≥ 2.7 V
SID.GPIO_20VT#69	GPIO_20VT_IDIODE	GPIO_20VT Current through protection diode to V <sub>DDD</sub> /V <sub>SS</sub>	–	–	100	μA	–

**Table 12. GPIO\_20VT AC Specifications (Applicable to port pins P2.2 and P2.3 only)**

(Guaranteed by Characterization)

Spec ID#	Parameter	Description	Min	Typ	Max	Units	Details / Conditions
SID.GPIO_20VT#70	GPIO_20VT_TriseF	GPIO_20VT Rise time in Fast Strong Mode	1	–	45	ns	All V <sub>DDD</sub> , C <sub>load</sub> = 25 pF
SID.GPIO_20VT#71	GPIO_20VT_TfallF	GPIO_20VT Fall time in Fast Strong Mode	2	–	15	ns	All V <sub>DDD</sub> , C <sub>load</sub> = 25 pF

## Digital Peripherals

The following specifications apply to the Timer/Counter/PWM peripherals in the Timer mode.

*Pulse Width Modulation (PWM) for GPIO Pins*

**Table 13. PWM AC Specifications** (Guaranteed by Characterization)

Spec ID	Parameter	Description	Min	Typ	Max	Units	Details/Conditions
SID.TCPWM.3	T <sub>CPWMFREQ</sub>	Operating frequency	–	–	F <sub>c</sub>	MHz	F <sub>c</sub> max = CLK_SYS. Maximum = 48 MHz.
SID.TCPWM.4	T <sub>PWMENEXT</sub>	Input trigger pulse width	2/F <sub>c</sub>	–	–	ns	For all trigger events
SID.TCPWM.5	T <sub>PWMEXT</sub>	Output trigger pulse width	2/F <sub>c</sub>	–	–	ns	Minimum possible width of Overflow, Underflow, and CC (Counter equals Compare value) outputs
SID.TCPWM.5A	T <sub>CREG</sub>	Resolution of counter	1/F <sub>c</sub>	–	–	ns	Minimum time between successive counts
SID.TCPWM.5B	PWM <sub>RES</sub>	PWM resolution	1/F <sub>c</sub>	–	–	ns	Minimum pulse width of PWM output
SID.TCPWM.5C	Q <sub>RES</sub>	Quadrature inputs resolution	1/F <sub>c</sub>	–	–	ns	Minimum pulse width between quadrature-phase inputs

*I<sup>2</sup>C*

**Table 14. Fixed I<sup>2</sup>C DC Specifications**

(Guaranteed by Characterization)

Spec ID	Parameter	Description	Min	Typ	Max	Units	Details/Conditions
SID149	I <sub>I2C1</sub>	Block current consumption at 100 kHz	–	–	100	μA	–
SID150	I <sub>I2C2</sub>	Block current consumption at 400 kHz	–	–	135	μA	–
SID151	I <sub>I2C3</sub>	Block current consumption at 1 Mbps	–	–	310	μA	–
SID152	I <sub>I2C4</sub>	I <sup>2</sup> C enabled in Deep Sleep mode	–	–	1.4	μA	–

**Table 15. Fixed I<sup>2</sup>C AC Specifications**

(Guaranteed by Characterization)

Spec ID	Parameter	Description	Min	Typ	Max	Units	Details/Conditions
SID153	F <sub>I2C1</sub>	Bit rate	–	–	1	Mbps	–

**Table 16. Fixed UART DC Specifications**

(Guaranteed by Characterization)

Spec ID	Parameter	Description	Min	Typ	Max	Units	Details/Conditions
SID160	I <sub>UART1</sub>	Block current consumption at 100 kbps	–	–	20	μA	–
SID161	I <sub>UART2</sub>	Block current consumption at 1000 kbps	–	–	312	μA	–

**Table 17. Fixed UART AC Specifications**

(Guaranteed by Characterization)

Spec ID	Parameter	Description	Min	Typ	Max	Units	Details/Conditions
SID162	F <sub>UART</sub>	Bit rate	–	–	1	Mbps	–

**Table 18. Fixed SPI DC Specifications**

(Guaranteed by Characterization)

Spec ID	Parameter	Description	Min	Typ	Max	Units	Details/Conditions
SID163	I <sub>SPI1</sub>	Block current consumption at 1 Mb/s	–	–	360	μA	–
SID164	I <sub>SPI2</sub>	Block current consumption at 4 Mb/s	–	–	560	μA	–
SID165	I <sub>SPI3</sub>	Block current consumption at 8 Mb/s	–	–	600	μA	–

**Table 19. Fixed SPI AC Specifications**

(Guaranteed by Characterization)

Spec ID	Parameter	Description	Min	Typ	Max	Units	Details/Conditions
SID166	F <sub>SPI</sub>	SPI Operating frequency (Master; 6X oversampling)	–	–	8	MHz	–

**Table 20. Fixed SPI Master Mode AC Specifications** (Guaranteed by Characterization)

Spec ID	Parameter	Description	Min	Typ	Max	Units	Details/Conditions
SID167	T <sub>D<sub>MO</sub></sub>	MOSI Valid after SClk driving edge	–	–	15	ns	–
SID168	T <sub>D<sub>SI</sub></sub>	MISO Valid before SClk capturing edge	20	–	–	ns	Full clock, late MISO sampling
SID169	T <sub>H<sub>MO</sub></sub>	Previous MOSI data hold time	0	–	–	ns	Referred to slave capturing edge

**Table 21. Fixed SPI Slave Mode AC Specifications**

(Guaranteed by Characterization)

Spec ID	Parameter	Description	Min	Typ	Max	Units	Details/Conditions
SID170	T <sub>D<sub>MI</sub></sub>	MOSI Valid before Sclck capturing edge	40	–	–	ns	–
SID171	T <sub>D<sub>SO</sub></sub>	MISO Valid after Sclck driving edge	–	–	42 + 3 × T <sub>CPU</sub>	ns	T <sub>CPU</sub> = 1/F <sub>CPU</sub>
SID171A	T <sub>D<sub>SO_EXT</sub></sub>	MISO Valid after Sclck driving edge in Ext Clk mode	–	–	48	ns	–
SID172	T <sub>H<sub>SO</sub></sub>	Previous MISO data hold time	0	–	–	ns	–
SID172A	T <sub>SSEL<sub>SCK</sub></sub>	SSEL Valid to first SCK Valid edge	100	–	–	ns	–

**System Resources**
*Power-on-Reset (POR) with Brown Out SWD Interface*
**Table 22. Imprecise Power On Reset (PRES) (Guaranteed by Characterization)**

Spec ID	Parameter	Description	Min	Typ	Max	Units	Details/Conditions
SID185	V <sub>RISEIPOR</sub>	Power-on Reset (POR) rising trip voltage	0.80	–	1.50	V	–
SID186	V <sub>FALLIPOR</sub>	POR falling trip voltage	0.70	–	1.4	V	–

**Table 23. Precise Power On Reset (POR)**
*(Guaranteed by Characterization)*

Spec ID	Parameter	Description	Min	Typ	Max	Units	Details/Conditions
SID190	V <sub>FALLPPOR</sub>	Brown-out Detect (BOD) trip voltage in active/sleep modes	1.48	–	1.62	V	–
SID192	V <sub>FALLDPSLP</sub>	BOD trip voltage in Deep Sleep mode	1.1	–	1.5	V	–

**Table 24. SWD Interface Specifications**
*(Guaranteed by Characterization)*

Spec ID	Parameter	Description	Min	Typ	Max	Units	Details/Conditions
SID.SWD#1	F_SWDCLK1	$3.3V \leq V_{DDD} \leq 5.5V$	–	–	14	MHz	SWDCLK $\leq$ 1/3 CPU clock frequency
SID.SWD#2	F_SWDCLK2	$2.7V \leq V_{DDD} \leq 3.3V$	–	–	7	MHz	SWDCLK $\leq$ 1/3 CPU clock frequency
SID.SWD#3	T_SWDI_SETUP	$T = 1/f$ SWDCLK	$0.25 \times T$	–	–	ns	–
SID.SWD#4	T_SWDI_HOLD	$T = 1/f$ SWDCLK	$0.25 \times T$	–	–	ns	–
SID.SWD#5	T_SWDO_VALID	$T = 1/f$ SWDCLK	–	–	$0.50 \times T$	ns	–
SID.SWD#6	T_SWDO_HOLD	$T = 1/f$ SWDCLK	1	–	–	ns	–

*Internal Main Oscillator*
**Table 25. IMO DC Specifications**
*(Guaranteed by Design)*

Spec ID	Parameter	Description	Min	Typ	Max	Units	Details/Conditions
SID218	I <sub>IMO1</sub>	IMO operating current at 48 MHz	–	–	1000	μA	–

**Table 26. IMO AC Specifications**

Spec ID	Parameter	Description	Min	Typ	Max	Units	Details/Conditions
SID.CLK#13	F <sub>IMOTOL</sub>	Frequency variation at 24, 36, and 48 MHz (trimmed)	–	–	±2	%	–
SID226	T <sub>STARTIMO</sub>	IMO start-up time	–	–	7	μs	Guaranteed by characterization.
SID228	T <sub>JITRMSIMO2</sub>	RMS jitter at 24 MHz	–	145	–	ps	Guaranteed by characterization.
SID.CLK#1	F <sub>IMO</sub>	IMO frequency	24	36	48	MHz	Only 3 frequencies supported: 24 MHz, 36 MHz, and 48 MHz.



*Internal Low-Speed Oscillator Power Down*
**Table 27. ILO DC Specifications**

(Guaranteed by Design)

Spec ID	Parameter	Description	Min	Typ	Max	Units	Details/Conditions
SID231	I <sub>ILO1</sub>	I <sub>LO</sub> operating current	–	0.3	1.05	μA	–
SID233	I <sub>ILOLEAK</sub>	I <sub>LO</sub> leakage current	–	2	15	nA	–

**Table 28. ILO AC Specifications**

Spec ID	Parameter	Description	Min	Typ	Max	Units	Details/Conditions
SID234	T <sub>STARTILO1</sub>	I <sub>LO</sub> start-up time	–	–	2	ms	Guaranteed by Characterization
SID238	T <sub>ILODUTY</sub>	I <sub>LO</sub> duty cycle	40	50	60	%	Guaranteed by Characterization
SID.CLK#5	F <sub>ILO</sub>	I <sub>LO</sub> frequency	20	40	80	kHz	–

**Table 29. PD DC Specifications**

Spec ID	Parameter	Description	Min	Typ	Max	Units	Details/Conditions
SID.PD.1	R <sub>p_std</sub>	DFP CC termination for default USB Power	64	80	96	μA	–
SID.PD.2	R <sub>p_1.5A</sub>	DFP CC termination for 1.5A power	166	180	194.4	μA	–
SID.PD.3	R <sub>p_3.0A</sub>	DFP CC termination for 3.0A power	304	330	356.4	μA	–
SID.PD.4	R <sub>d</sub>	UFP CC termination	4.59	5.1	5.61	kΩ	–
SID.PD.5	R <sub>d_DB</sub>	UFP (Power Bank) Dead Battery CC Termination on CC1 and CC2	4.08	5.1	6.12	kΩ	All supplies forced to 0V and 1.32 V applied at CC1 or CC2
SID.PD.6	V <sub>gndoffset</sub>	Ground offset tolerated by BMC receiver	–500	–	500	mV	Relative to the remote BMC transmitter.

**Table 30. LS-CSA Specifications**

Spec ID	Parameter	Description	Min	Typ	Max	Units	Details/Conditions
SID.LSCSA.1	C <sub>in_inp</sub>	CSP Input capacitance	7	–	10	pF	Guaranteed by characterization
SID.LSCSA.2	C <sub>sa_Acc1</sub>	CSA accuracy 5 mV < V <sub>sense</sub> < 10 mV	–15	–	15	%	Active Mode
SID.LSCSA.3	C <sub>sa_Acc2</sub>	CSA accuracy 10 mV < V <sub>sense</sub> < 15 mV	–10	–	10	%	
SID.LSCSA.4	C <sub>sa_Acc3</sub>	CSA accuracy 15 mV < V <sub>sense</sub> < 20 mV	–6	–	6	%	
SID.LSCSA.5	C <sub>sa_Acc4</sub>	CSA accuracy 20 mV < V <sub>sense</sub> < 30 mV	–5	–	5	%	
SID.LSCSA.6	C <sub>sa_Acc5</sub>	CSA accuracy 30 mV < V <sub>sense</sub> < 50 mV	–4	–	4	%	
SID.LSCSA.7	C <sub>sa_Acc6</sub>	CSA accuracy 50 mV < V <sub>sense</sub>	–4	–	4	%	
SID.LSCSA.8	C <sub>sa_SCP_Acc1</sub>	CSA SCP 80 mV	–16.5	–	16.5	%	
SID.LSCSA.9	C <sub>sa_SCP_Acc2</sub>	CSA SCP 100 mV	–13.4	–	13.4	%	
SID.LSCSA.10	C <sub>sa_SCP_Acc3</sub>	CSA SCP 150 mV	–9.4	–	9.4	%	
SID.LSCSA.11	C <sub>sa_SCP_Acc4</sub>	CSA SCP 200 mV	–7.5	–	7.5	%	
SID.LSCSA.12	A <sub>v</sub>	Nominal Gain values supported: 5, 10, 20, 35, 50, 75, 125, 150	5	–	150	V/V	
SID.LSCSA.24	A <sub>v1_E_Trim</sub>	Gain Error	–3	–	3	%	Guaranteed by characterization

**Table 30. LS-CSA Specifications (continued)**

Spec ID	Parameter	Description	Min	Typ	Max	Units	Details/Conditions
SID.LSCSA.31	Av_E_SCP	Gain Error of SCP stage	-3.5	-	3.5	%	Guaranteed by characterization

**Table 31. LS-CSA AC Specifications**

(Guaranteed by Characterization)

Spec ID	Parameter	Description	Min	Typ	Max	Units	Details/Conditions
SID.LSCSA.AC.1	T <sub>OCP_GPIO</sub>	Delay from OCP threshold trip to output GPIO toggle	-	-	20	µs	Available on P1.0 or P1.1
SID.LSCSA.AC.2	T <sub>OCP_Gate</sub>	Delay from OCP threshold trip to external PFET Power Gate Turn off	-	-	50	µs	-
SID.LSCSA.AC.3	T <sub>SCP_GPIO</sub>	Delay from SCP threshold trip to output GPIO toggle	-	-	15	µs	Available on P1.0 or P1.1
SID.LSCSA.AC.4	T <sub>SCP_Gate</sub>	Delay from SCP threshold trip to external PFET Power Gate Turn off	-	-	50	µs	-
SID.LSCSA.AC.5	T <sub>SR_GPIO</sub>	Delay from SR threshold trip to output GPIO toggle	-	-	20	µs	Available on P1.0 or P1.1

**Table 32. UV/OV Specifications**

(Guaranteed by Characterization)

Spec ID	Parameter	Description	Min	Typ	Max	Units	Details/Conditions
SID.UVOV.1	V <sub>THOV1</sub>	Overvoltage Threshold Accuracy, 4.0 V to 11.0 V	-3	-	3	%	Active Mode
SID.UVOV.2	V <sub>THOV2</sub>	Overvoltage Threshold Accuracy, 11 V to 27.4 V	-3.2	-	3.2	%	
SID.UVOV.3	V <sub>THUV1</sub>	Undervoltage Threshold Accuracy, 2.7 V to 3.3 V	-4	-	4	%	
SID.UVOV.4	V <sub>THUV2</sub>	Undervoltage Threshold Accuracy, 3.3 V to 4.0 V	-3.5	-	3.5	%	
SID.UVOV.5	V <sub>THUV3</sub>	Undervoltage Threshold Accuracy, 4.0 V to 11.0 V	-3	-	3	%	
SID.UVOV.6	V <sub>THUV4</sub>	Undervoltage Threshold Accuracy, 11.0 V to 22.0 V	-2.9	-	2.9	%	

**Table 33. UV/OV AC Specifications**

(Guaranteed by Characterization)

Spec ID	Parameter	Description	Min	Typ	Max	Units	Details/Conditions
SID.UVOV.AC.1	T <sub>OV_GPIO</sub>	Delay from UV threshold trip to output GPIO toggle	-	-	20	µs	Available on P1.0 or P1.1
SID.UVOV.AC.2	T <sub>OV_GATE</sub>	Delay from UV threshold trip to external PFET power gate turn off	-	-	50	µs	-
SID.UVOV.AC.3	T <sub>UV_GPIO</sub>	Delay from UV threshold trip to output GPIO toggle	-	-	20	µs	Available on P1.0 or P1.1

*Gate Driver Specifications*
**Table 34. Gate Driver DC Specifications**

Spec ID	Parameter	Description	Min	Typ	Max	Units	Details/Conditions	
SID.GD.1	R <sub>PD</sub>	Pull-down resistance	–	–	3	kΩ	Applicable on VBUS_P_CTRL and VBUS_C_CTRL to turn ON external PFET.	
SID.GD.2	R <sub>PU</sub>	Pull-up resistance	–	–	4	kΩ	Applicable on VBUS_P_CTRL to turn OFF external PFET	
SID.GD.3	I <sub>PD0</sub>	Pull-down current sink at drive strength of 1	25	–	75	μA	I-mode (current mode) pull down at 5 V. Applicable on VBUS_P_CTRL and VBUS_C_CTRL to turn ON external PFET	
SID.GD.4	I <sub>PD1</sub>	Pull-down current sink at drive strength of 2	50	–	150	μA		
SID.GD.5	I <sub>PD2</sub>	Pull-down current sink at drive strength of 4	140	–	300	μA		
SID.GD.6	I <sub>PD3</sub>	Pull-down current sink at drive strength of 8	280	–	580	μA		
SID.GD.7	I <sub>PD4</sub>	Pull-down current sink at drive strength of 16	560	–	1200	μA		
SID.GD.8	I <sub>PD5</sub>	Pull-down current sink at drive strength of 32	1120	–	2300	μA		
SID.GD.9	I <sub>leak_p1</sub>	Pin leakage on VBUS_P_CTRL	–	–	0.003	μA		+25 °C T <sub>J</sub> , 5-V V <sub>DDD</sub> , 20-V V <sub>BUS</sub>
SID.GD.10	I <sub>leak_c1</sub>	Pin leakage on VBUS_C_CTRL	–	–	0.003			+25 °C T <sub>J</sub> , 5-V V <sub>DDD</sub> , 20-V V <sub>BU</sub>
SID.GD.11	I <sub>leak_p2</sub>	Pin leakage on VBUS_P_CTRL	–	–	2		+85 °C T <sub>J</sub> , 5-V V <sub>DDD</sub> , 20-V V <sub>BU</sub>	
SID.GD.12	I <sub>leak_c2</sub>	Pin leakage on VBUS_C_CTRL	–	–	2		+85 °C T <sub>J</sub> , 5-V V <sub>DDD</sub> , 20-V V <sub>BU</sub>	
SID.GD.13	I <sub>leak_p3</sub>	Pin leakage on VBUS_P_CTRL	–	–	7		+125 °C T <sub>J</sub> , 5-V V <sub>DDD</sub> , 20-V V <sub>BU</sub>	
SID.GD.14	I <sub>leak_c3</sub>	Pin leakage on VBUS_C_CTRL	–	–	7		+125 °C T <sub>J</sub> , 5-V V <sub>DDD</sub> , 20-V V <sub>BU</sub>	

**Table 35. Gate Driver AC Specifications**

(Guaranteed by Characterization)

Spec ID	Parameter	Description	Min	Typ	Max	Units	Details/Conditions
SID.GD.15	T <sub>PD1</sub>	Pull down delay on VBUS_C_CTRL	–	–	2	μs	Load = 2 nF, Delay to VBUS–1.5 V from initiation of falling edge, VBUS = 5 V to 20 V, 50 KΩ tied between VBUS_C_CTRL and VBUS
SID.GD.16	T <sub>r_discharge</sub>	Discharge rate of output node on VBUS_C_CTRL	–	–	5	V/μs	80% to 20%, 50 KΩ tied between VBUS_C_CTRL and VBUS, Load = 2 nF, V <sub>initial</sub> = 24 V
SID.GD.17	T <sub>PD2</sub>	Pull down delay on VBUS_P_CTRL	–	–	2	μs	Load = 2 nF, Delay to VBUS–1.5 V from initiation of falling edge, V <sub>BUS</sub> = 5 V to 20 V, 50 KΩ tied between VBUS_C_CTRL and VBUS
SID.GD.18	T <sub>PU</sub>	Pull up delay on VBUS_P_CTRL	–	–	18	μs	Load = 2 nF, Delay to VBUS–1.5 V from initiation of falling edge, VBUS = 5 V to 20 V, 50 KΩ tied between VBUS_C_CTRL and VBUS
SID.GD.19	SR <sub>PU</sub>	Output slew rate on VBUS_P_CTRL	–	–	5	V/μs	Load = 2 nF, 20% to 80% of VBUS_P_CTRL range

**Table 35. Gate Driver AC Specifications (continued)**

(Guaranteed by Characterization) (continued)

Spec ID	Parameter	Description	Min	Typ	Max	Units	Details/Conditions
SID.GD.20	SR <sub>PD</sub>	Output slew rate on VBUS_P_CTRL	–	–	5	V/μs	Cload = 2 nF, 80% to 20% of VBUS_P_CTRL range

**Table 36. VBUS Discharge Specifications**

Spec ID#	Parameter	Description	Min	Typ	Max	Units	Details / Conditions
SID.VBUS.DISC.6	I1	20-V NMOS ON current for DS = 1	0.15	–	1	mA	Measured at 0.5 V
SID.VBUS.DISC.7	I2	20-V NMOS ON current for DS = 2	0.4	–	2	mA	
SID.VBUS.DISC.8	I4	20-V NMOS ON current for DS = 4	0.9	–	4	mA	
SID.VBUS.DISC.9	I8	20-V NMOS ON current for DS = 8	2	–	8	mA	
SID.VBUS.DISC.10	I16	20-V NMOS ON current for DS = 16	4	–	10	mA	
SID.VBUS.DISC.11	VBUS_Stop_Error	Error percentage of final V <sub>BUS</sub> value from setting	–	–	10	%	When V <sub>BUS</sub> is discharged to 5 V. Guaranteed by Characterization.

**Table 37. Voltage (VBUS) Regulation DC Specifications**

Spec ID#	Parameter	Description	Min	Typ	Max	Units	Details / Conditions
SID.DC.VR.1	V <sub>IN_3</sub>	V(pad_in) at 3-V target	2.85	3	3.15	V	Active mode shunt regulator at 3 V with bandgap
SID.DC.VR.2	V <sub>IN_5</sub>	V(pad_in) at 5-V target	4.75	5	5.25	V	Active mode shunt regulator at 5 V
SID.DC.VR.3	V <sub>IN_9</sub>	V(pad_in) at 9-V target	8.55	9	9.45		Active mode shunt regulator at 9 V
SID.DC.VR.4	V <sub>IN_15</sub>	V(pad_in) at 15-V target	14.25	15	15.75		Active mode shunt regulator at 15 V
SID.DC.VR.5	V <sub>IN_20</sub>	V(pad_in) at 20-V target	19	20	21		Active mode shunt regulator at 20 V
SID.DC.VR.6	V <sub>IN_3_DS</sub>	V(pad_in) at 3-V target	2.7	3	3.3	V	Deep Sleep mode shunt regulator at 3 V with bandgap
SID.DC.VR.7	V <sub>IN_5_DS</sub>	V(pad_in) at 5-V target	4.5	5	5.5	V	Deep Sleep mode shunt regulator at 5 V
SID.DC.VR.8	V <sub>IN_9_DS</sub>	V(pad_in) at 9-V target	8.1	9	9.1	V	Deep Sleep mode shunt regulator at 9 V
SID.DC.VR.9	V <sub>IN_15_DS</sub>	V(pad_in) at 15-V target	13.5	15	16.5	V	Deep Sleep mode shunt regulator at 15 V
SID.DC.VR.10	V <sub>IN_20_DS</sub>	V(pad_in) at 20-V target	18	20	22	V	Deep Sleep mode shunt regulator at 20 V
SID.DC.VR.11	I <sub>KA_OFF</sub>	Off-state cathode current	–	–	10	μA	–
SID.DC.VR.12	I <sub>KA_ON</sub>	Current through cathode pin	–	–	10	mA	–

**Table 38. VBUS Short Protection Specifications**

Spec ID	Parameter	Description	Min	Typ	Max	Units	Details/Conditions
SID.VSP.1	V_SHORT_TRIGGER	Short-to-VBUS system-side clamping voltage on the CC/P2.2/P2.3 pins	–	9	–	V	Guaranteed by Characterization.

**Table 39. VBUS DC Regulator Specifications**

Spec ID	Parameter	Description	Min	Typ	Max	Units	Details/Conditions
SID.VREG.2	VBUS_DETECT	VBUS detect threshold voltage	1.08	–	2.62	V	–

**Table 40. VBUS AC Regulator Specifications**

Spec ID	Parameter	Description	Min	Typ	Max	Units	Details/Conditions
SID.VREG.3	T <sub>start</sub>	Total startup time for the regulator supply outputs	–	–	200	μs	Guaranteed by Characterization.

Analog to Digital Converter

**Table 41. ADC DC Specifications (Guaranteed by Characterization)**

Spec ID	Parameter	Description	Min	Typ	Max	Units	Details/Conditions
SID.ADC.1	Resolution	ADC resolution	–	8	–	Bits	–
SID.ADC.2	INL	Integral non-linearity	–2.5	–	2.5	LSB	–
SID.ADC.3	DNL	Differential non-linearity	–2.5	–	2.5	LSB	–
SID.ADC.4	Gain Error	Gain error	–1.5	–	1.5	LSB	–
SID.ADC.5	V <sub>REF_ADC1</sub>	Reference voltage of ADC	V <sub>DDmin</sub>	–	V <sub>DDmax</sub>	V	Reference voltage generated from V <sub>DD</sub>
SID.ADC.6	V <sub>REF_ADC2</sub>	Reference voltage of ADC	1.96	2.0	2.04	V	Reference voltage generated from bandgap

**Table 42. ADC AC Specifications (Guaranteed by Design)**

Spec ID	Parameter	Description	Min	Typ	Max	Units	Details/Conditions
SID.ADC.7	SLEW_Max	Rate of change of sampled voltage signal	–	–	3	V/ms	–

Memory

**Table 43. Flash AC Specifications**

Spec ID	Parameter	Description	Min	Typ	Max	Units	Details/Conditions
SID.MEM#3	FLASH_ERASE	Row erase time	–	–	15.5	ms	–40 °C ≤ T <sub>A</sub> ≤ 85 °C, all V <sub>DDD</sub>
SID.MEM#4	FLASH_WRITE	Row (Block) write time (erase and program)	–	–	20	ms	–40 °C ≤ T <sub>A</sub> ≤ 85 °C, all V <sub>DDD</sub>
SID.MEM#8	FLASH_ROW_PGM	Row program time after erase	–	–	7	ms	25 °C ≤ T <sub>A</sub> ≤ 55 °C, all V <sub>DDD</sub>
SID178	T <sub>BULKERASE</sub>	Bulk erase time (32 KB)	–	–	35	ms	–
SID180	T <sub>DEVPROG</sub>	Total device program time	–	–	7.5	s	–
SID182	F <sub>RET1</sub>	Flash retention, T <sub>A</sub> ≤ 55 °C, 100K P/E cycles	20	–	–	years	–
SID182A	F <sub>RET2</sub>	Flash retention, T <sub>A</sub> ≤ 85 °C, 10K P/E cycles	10	–	–	years	–
SID182B	F <sub>RET3</sub>	Flash retention, T <sub>A</sub> ≤ 105 °C, 10K P/E cycles	3	–	–	years	–

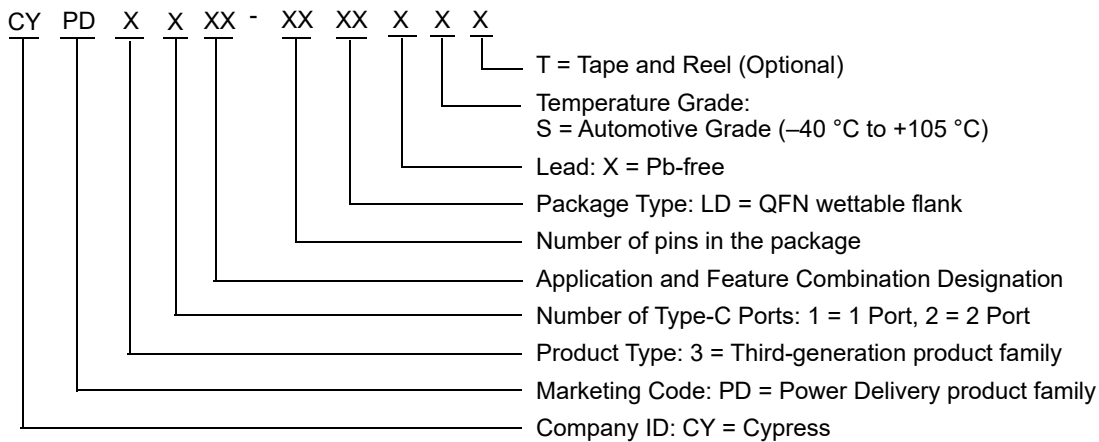
## Ordering Information

Table 44 lists the CYPD319X part numbers and features.

**Table 44. CYPD319X Ordering Information**

MPN	Application	Termination Resistor	Role	Preloaded Bootloader	Package Type
CYPD3195-24LDXS	Head Units/Infotainment	R <sub>P</sub>	DFP (Power Source Only)	I <sup>2</sup> C Bootloader	24-pin QFN
CYPD3196-24LDXS	Charge Only Ports			CC Bootloader	
CYPD3194-24LDXS	Rear Seat Entertainment			None	

## Ordering Code Definitions



## Packaging

**Table 45. Package Characteristics**

Parameter	Description	Conditions	Min	Typ	Max	Units
T <sub>A</sub>	Operating ambient temperature	Automotive S-Grade	-40	25	105	°C
T <sub>J</sub>	Operating junction temperature	Automotive S-Grade	-40	25	120	°C
T <sub>JA</sub>	Package $\theta_{JA}$ (24-QFN)	–	–	–	19.98	°C/W
T <sub>JC</sub>	Package $\theta_{JC}$ (24-QFN)	–	–	–	4.78	°C/W

**Table 46. Solder Reflow Peak Temperature**

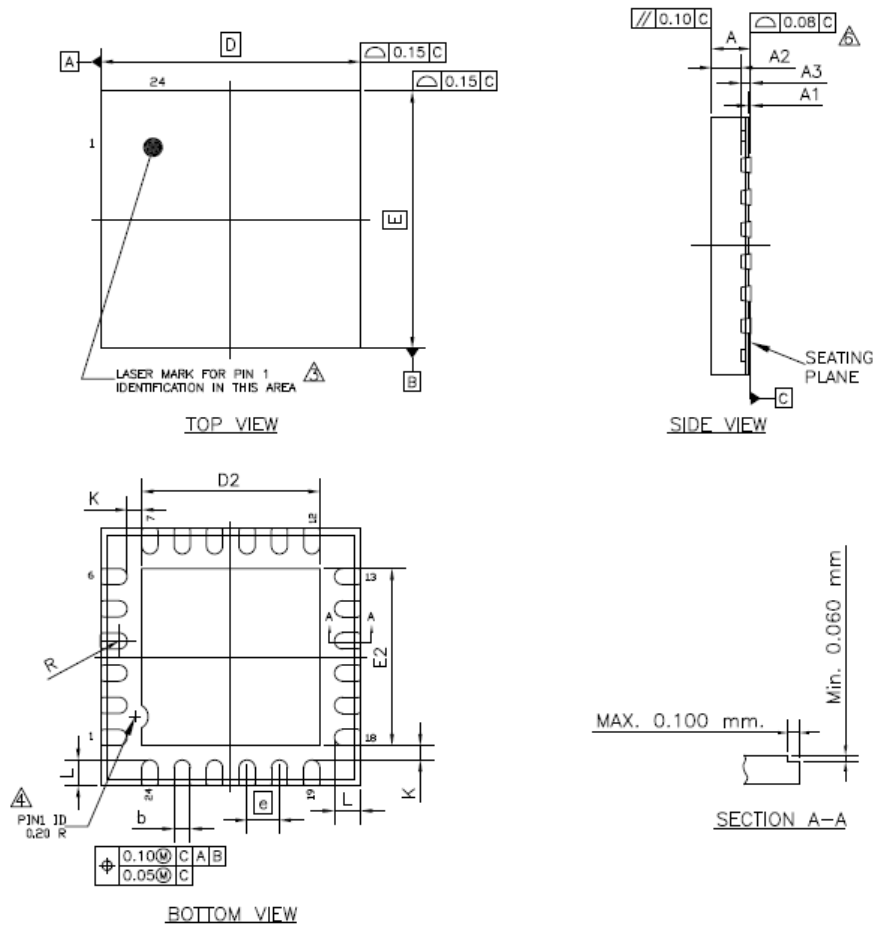
Package	Maximum Peak Temperature	Maximum Time within 5° C of Peak Temperature
24-pin QFN	260 °C	30 seconds

**Table 47. Package Moisture Sensitivity Level (MSL), IPC/JEDEC J-STD-2**

Package	MSL
24-pin QFN	MSL3



Figure 8. 24-pin QFN Package Outline



SYMBOL	DIMENSIONS		
	MIN	NOM	MAX
A	—	—	0.60
A1	0.00	—	0.05
A2	—	0.400	0.425
A3	0.152 REF		
b	0.18	0.25	0.30
D	4.00 BSC		
E	4.00 BSC		
D2	2.65	2.75	2.85
E2	2.65	2.75	2.85
e	0.50 BSC		
L	0.30	0.40	0.50
K	0.225	—	—
R	0.09	—	—

**NOTE:**

1. ALL DIMENSIONS ARE IN MILLIMETERS.
2. DIMENSIONING & TOLERANCES CONFORM TO ASME Y14.5M. -1994.
3. THE PIN #1 IDENTIFIER MUST BE PLACED ON THE TOP SURFACE OF THE PACKAGE BY USING INDENTATION MARK OR OTHER FEATURE OF PACKAGE BODY.
4. EXACT SHAPE AND SIZE OF THIS FEATURE IS OPTIONAL.
5. PACKAGE WARPAGE MAX 0.08 mm.
6. APPLIED FOR EXPOSED PAD AND TERMINALS.
7. JEDEC SPECIFICATION NO. REF. : N/A.

002-23807 Rev \*\*

## Acronyms

**Table 48. Acronyms Used in this Document**

Acronym	Description
ADC	analog-to-digital converter
AES	advanced encryption standard
API	application programming interface
Arm®	advanced RISC machine, a CPU architecture
CC	configuration channel
CCG3	Cable Controller Generation 3
CPU	central processing unit
CRC	cyclic redundancy check, an error-checking protocol
CS	current sense
DFP	downstream facing port
DIO	digital input/output, GPIO with only digital capabilities, no analog. See GPIO.
DRP	dual role port
EEPROM	electrically erasable programmable read-only memory
EMCA	electronically marked cable assembly, a USB cable that includes an IC that reports cable characteristics (such as current rating) to the Type-C ports
EMI	electromagnetic interference
ESD	electrostatic discharge
FS	full-speed
GPIO	general-purpose input/output
IC	integrated circuit
IDE	integrated development environment
I <sup>2</sup> C, or IIC	Inter-Integrated Circuit, a communications protocol
ILO	internal low-speed oscillator, see also IMO
IMO	internal main oscillator, see also ILO
I/O	input/output, see also GPIO
LDO	low-dropout regulator
LVD	low-voltage detect
LVTTTL	low-voltage transistor-transistor logic
MCU	microcontroller unit
NC	no connect
NMI	nonmaskable interrupt
NVIC	nested vectored interrupt controller
opamp	operational amplifier
OCP	overcurrent protection

**Table 48. Acronyms Used in this Document (continued)**

Acronym	Description
OTP	over temperature protection
OVP	overvoltage protection
OVT	overvoltage tolerant
PCB	printed circuit board
PD	power delivery
PGA	programmable gain amplifier
PHY	physical layer
POR	power-on reset
PRES	precise power-on reset
PSoC®	Programmable System-on-Chip™
PWM	pulse-width modulator
RAM	random-access memory
RISC	reduced-instruction-set computing
RMS	root-mean-square
RTC	real-time clock
RX	receive
SAR	successive approximation register
SCL	I <sup>2</sup> C serial clock
SCP	short circuit protection
SDA	I <sup>2</sup> C serial data
S/H	sample and hold
SHA	secure hash algorithm
SPI	Serial Peripheral Interface, a communications protocol
SRAM	static random access memory
SWD	serial wire debug, a test protocol
TX	transmit
Type-C	a new standard with a slimmer USB connector and a reversible cable, capable of sourcing up to 100 W of power
UART	Universal Asynchronous Transmitter Receiver, a communications protocol
USB	Universal Serial Bus
USBIO	USB input/output, CCG2 pins used to connect to a USB port
UVP	undervoltage protection
XRES	external reset I/O pin

## Document Conventions

### Units of Measure

Table 49. Units of Measure

Symbol	Unit of Measure
°C	degrees Celsius
Hz	hertz
KB	1024 bytes
kHz	kilohertz
kΩ	kilo ohm
Mbps	megabits per second
MHz	megahertz
MΩ	mega-ohm
Msps	mega samples per second
μA	microampere
μF	microfarad
μs	microsecond
μV	microvolt
μW	microwatt
mA	milliampere
ms	millisecond
mV	millivolt
nA	nanoampere
ns	nanosecond
Ω	ohm
pF	picofarad
ppm	parts per million
ps	picosecond
s	second
sps	samples per second
V	volt

**Document History Page**

Document Title: EZ-PD™ CCG3PA Automotive Datasheet, USB Type-C Port Controller Document Number: 002-23856			
Revision	ECN	Submission Date	Description of Change
**	6245648	11/09/2018	New data sheet.
*A	6653121	08/13/2019	Changed status from Advance to Final. Updated <a href="#">Application Diagrams</a> : Updated <a href="#">Figure 5</a> , <a href="#">Figure 6</a> , and <a href="#">Figure 7</a> . Updated <a href="#">Electrical Specifications</a> : Updated <a href="#">Device-Level Specifications</a> : Added <a href="#">Table 7</a> through <a href="#">Table 12</a> . Added <a href="#">Digital Peripherals</a> . Added <a href="#">System Resources</a> .
*B	6739962	12/10/2019	Added " <b>CONFIDENTIAL - RELEASED ONLY UNDER NONDISCLOSURE AGREEMENT (NDA)</b> " across the document. Updated <a href="#">Ordering Information</a> : Updated part numbers. Updated to new template.
*C	6878026	06/15/2020	Updated <a href="#">Application Firmware Update over CC Interface</a> section. Added reference to <a href="#">KBA230192</a> . Updated <a href="#">Ordering Information</a> . Updated <a href="#">Sales, Solutions, and Legal Information</a> .

## Sales, Solutions, and Legal Information

### Worldwide Sales and Design Support

Cypress maintains a worldwide network of offices, solution centers, manufacturers' representatives, and distributors. To find the office closest to you, visit us at [Cypress Locations](#).

### Products

Arm® Cortex® Microcontrollers	<a href="http://cypress.com/arm">cypress.com/arm</a>
Automotive	<a href="http://cypress.com/automotive">cypress.com/automotive</a>
Clocks & Buffers	<a href="http://cypress.com/clocks">cypress.com/clocks</a>
Interface	<a href="http://cypress.com/interface">cypress.com/interface</a>
Internet of Things	<a href="http://cypress.com/iot">cypress.com/iot</a>
Memory	<a href="http://cypress.com/memory">cypress.com/memory</a>
Microcontrollers	<a href="http://cypress.com/mcu">cypress.com/mcu</a>
PSoC	<a href="http://cypress.com/psoc">cypress.com/psoc</a>
Power Management ICs	<a href="http://cypress.com/pmic">cypress.com/pmic</a>
Touch Sensing	<a href="http://cypress.com/touch">cypress.com/touch</a>
USB Controllers	<a href="http://cypress.com/usb">cypress.com/usb</a>
Wireless Connectivity	<a href="http://cypress.com/wireless">cypress.com/wireless</a>

### PSoC® Solutions

[PSoC 1](#) | [PSoC 3](#) | [PSoC 4](#) | [PSoC 5LP](#) | [PSoC 6 MCU](#)

### Cypress Developer Community

[Community](#) | [Code Examples](#) | [Projects](#) | [Video](#) | [Blogs](#) | [Training](#) | [Components](#)

### Technical Support

[cypress.com/support](http://cypress.com/support)

Notice regarding compliance with Universal Serial Bus specification. Cypress offers firmware and hardware solutions that are certified to comply with the Universal Serial Bus specification, USB Type-C™ Cable and Connector Specification, and other specifications of USB Implementers Forum, Inc (USB-IF). You may use Cypress or third party software tools, including sample code, to modify the firmware for Cypress USB products. Modification of such firmware could cause the firmware/hardware combination to no longer comply with the relevant USB-IF specification. You are solely responsible ensuring the compliance of any modifications you make, and you must follow the compliance requirements of USB-IF before using any USB-IF trademarks or logos in connection with any modifications you make. In addition, if Cypress modifies firmware based on your specifications, then you are responsible for ensuring compliance with any desired standard or specifications as if you had made the modification. CYPRESS IS NOT RESPONSIBLE IN THE EVENT THAT YOU MODIFY OR HAVE MODIFIED A CERTIFIED CYPRESS PRODUCT AND SUCH MODIFIED PRODUCT NO LONGER COMPLIES WITH THE RELEVANT USB-IF SPECIFICATIONS.

© Cypress Semiconductor Corporation, 2018–2020. This document is the property of Cypress Semiconductor Corporation and its subsidiaries ("Cypress"). This document, including any software or firmware included or referenced in this document ("Software"), is owned by Cypress under the intellectual property laws and treaties of the United States and other countries worldwide. Cypress reserves all rights under such laws and treaties and does not, except as specifically stated in this paragraph, grant any license under its patents, copyrights, trademarks, or other intellectual property rights. If the Software is not accompanied by a license agreement and you do not otherwise have a written agreement with Cypress governing the use of the Software, then Cypress hereby grants you a personal, non-exclusive, nontransferable license (without the right to sublicense) (1) under its copyright rights in the Software (a) for Software provided in source code form, to modify and reproduce the Software solely for use with Cypress hardware products, only internally within your organization, and (b) to distribute the Software in binary code form externally to end users (either directly or indirectly through resellers and distributors), solely for use on Cypress hardware product units, and (2) under those claims of Cypress's patents that are infringed by the Software (as provided by Cypress, unmodified) to make, use, distribute, and import the Software solely for use with Cypress hardware products. Any other use, reproduction, modification, translation, or compilation of the Software is prohibited.

TO THE EXTENT PERMITTED BY APPLICABLE LAW, CYPRESS MAKES NO WARRANTY OF ANY KIND, EXPRESS OR IMPLIED, WITH REGARD TO THIS DOCUMENT OR ANY SOFTWARE OR ACCOMPANYING HARDWARE, INCLUDING, BUT NOT LIMITED TO, THE IMPLIED WARRANTIES OF MERCHANTABILITY AND FITNESS FOR A PARTICULAR PURPOSE. No computing device can be absolutely secure. Therefore, despite security measures implemented in Cypress hardware or software products, Cypress shall have no liability arising out of any security breach, such as unauthorized access to or use of a Cypress product. CYPRESS DOES NOT REPRESENT, WARRANT, OR GUARANTEE THAT CYPRESS PRODUCTS, OR SYSTEMS CREATED USING CYPRESS PRODUCTS, WILL BE FREE FROM CORRUPTION, ATTACK, VIRUSES, INTERFERENCE, HACKING, DATA LOSS OR THEFT, OR OTHER SECURITY INTRUSION (collectively, "Security Breach"). Cypress disclaims any liability relating to any Security Breach, and you shall and hereby do release Cypress from any claim, damage, or other liability arising from any Security Breach. In addition, the products described in these materials may contain design defects or errors known as errata which may cause the product to deviate from published specifications. To the extent permitted by applicable law, Cypress reserves the right to make changes to this document without further notice. Cypress does not assume any liability arising out of the application or use of any product or circuit described in this document. Any information provided in this document, including any sample design information or programming code, is provided only for reference purposes. It is the responsibility of the user of this document to properly design, program, and test the functionality and safety of any application made of this information and any resulting product. "High-Risk Device" means any device or system whose failure could cause personal injury, death, or property damage. Examples of High-Risk Devices are weapons, nuclear installations, surgical implants, and other medical devices. "Critical Component" means any component of a High-Risk Device whose failure to perform can be reasonably expected to cause, directly or indirectly, the failure of the High-Risk Device, or to affect its safety or effectiveness. Cypress is not liable, in whole or in part, and you shall and hereby do release Cypress from any claim, damage, or other liability arising from any use of a Cypress product as a Critical Component in a High-Risk Device. You shall indemnify and hold Cypress, its directors, officers, employees, agents, affiliates, distributors, and assigns harmless from and against all claims, costs, damages, and expenses, arising out of any claim, including claims for product liability, personal injury or death, or property damage arising from any use of a Cypress product as a Critical Component in a High-Risk Device. Cypress products are not intended or authorized for use as a Critical Component in any High-Risk Device except to the limited extent that (i) Cypress's published data sheet for the product explicitly states Cypress has qualified the product for use in a specific High-Risk Device, or (ii) Cypress has given you advance written authorization to use the product as a Critical Component in the specific High-Risk Device and you have signed a separate indemnification agreement.

Cypress, the Cypress logo, Spansion, the Spansion logo, and combinations thereof, WICED, PSoC, CapSense, EZ-USB, F-RAM, and Traveo are trademarks or registered trademarks of Cypress in the United States and other countries. For a more complete list of Cypress trademarks, visit [cypress.com](http://cypress.com). Other names and brands may be claimed as property of their respective owners.

## X-ON Electronics

Largest Supplier of Electrical and Electronic Components

*Click to view similar products for [USB Interface IC](#) category:*

*Click to view products by [Infineon](#) manufacturer:*

Other Similar products are found below :

[CY7C69356-48LTXC](#) [CYUSB2304-68LTXI](#) [USB2227-NU-11](#) [USB2251-NU-06](#) [USB3319C-GJ-TR](#) [USB3370B-EZK-TR](#) [CG7648AM](#)  
[CY7C65215A-32LTXI](#) [CYPD2120-24LQXI](#) [CYUSB3014-BZXCT](#) [CYWB0164BB-BZXI](#) [CYWB0224ABS-BZXI](#) [CY7C65211A-24LTXI](#)  
[USB3803CI-1-GL-TR](#) [LIF-UC120-SWG36ITR50](#) [UPD360-C/6HX](#) [UPD360-B/6HX](#) [CP2102NP1174GM](#) [CY7C65642-28LTXCT](#)  
[CG8454AM](#) [DPO2039DABQ-13](#) [USB7216CT-I/KDX](#) [USB7216C-I/KDX](#) [UPD720211K8-711-BAL-A](#) [CYPD4225-40LQXIT](#) [CYPM1111-](#)  
[40LQXI](#) [USB3317C-GJ-TR](#) [CY7C68034-56LTXC](#) [CYUSB3302-68LTXI](#) [TUSB213IRGYT](#) [TUSB213RGYT](#) [TUSB214RWBT](#)  
[TUSB215RGYT](#) [USB2517I-JZX-TR](#) [USB3318-CP](#) [USB3343-CP](#) [USB3503T-I/ML](#) [USB4624I-1080HN](#) [CHY100D-TL](#) [STUSB1602AQTR](#)  
[TUSB214IRWBT](#) [TUSB8043RGCT](#) [USB3319C-CP-TR](#) [USB3310C-CP-TR](#) [USB3310C-CP](#) [USB2532I-1080AEN](#) [CY7C65213-32LTXIT](#)  
[CY7C68013A-56LTXIT](#) [CYUSB2024-BZXI](#) [CYUSB3025-BZXI](#)