



**Please note that Cypress is an Infineon Technologies Company.**

The document following this cover page is marked as “Cypress” document as this is the company that originally developed the product. Please note that Infineon will continue to offer the product to new and existing customers as part of the Infineon product portfolio.

**Continuity of document content**

The fact that Infineon offers the following product as part of the Infineon product portfolio does not lead to any changes to this document. Future revisions will occur when appropriate, and any changes will be set out on the document history page.

**Continuity of ordering part numbers**

Infineon continues to support existing part numbers. Please continue to use the ordering part numbers listed in the datasheet for ordering.

## General Description

EZ-PD™ CCG5C is a one-port USB Type-C controller that complies with the latest USB Type-C and Power Delivery (PD) specifications. CCG5C provides a complete USB Type-C and USB PD port control solution for PCs and notebooks. CCG5C includes a 32-bit, 48-MHz Arm® Cortex®-M0 processor with 128-KB flash and integrates a complete Type-C Transceiver including the Type-C termination resistors  $R_p$ ,  $R_d$ , and dead battery  $R_d$  termination. CCG5C is available in a 40-pin QFN package.

## Applications

- PCs and notebooks
- Thunderbolt, Non-Thunderbolt hosts and devices/docks

## Features

### USB-PD

- Supports latest USB PD 3.0 Specification
- Fast Role Swap (FRS)
- Extended data messaging

### Type-C

- Integrated current sources for DFP<sup>[1]</sup> role ( $R_p$ )
  - Default current at 500 mA/900 mA
  - 1.5 A
  - 3 A
- Integrated  $R_d$  resistor for UFP<sup>[2]</sup> role
- Integrated VCONN FETs to power EMCA cables
- Integrated dead battery termination
- Integrated high-voltage protection on CC and SBU pins to protect against accidental shorts to the VBUS pin on the Type-C connector

### Legacy Charging

- BCv1.2 (source and sink)
- Apple charging (source only)

### Protection

- Configurable hardware controlled VBUS
  - Overvoltage protection (OVP)
  - Undervoltage protection (UVP)
  - Overcurrent protection (OCP)
- Overcurrent protection (OCP) for VCONN
- High-voltage VBUS short protection for SBU & CC pins

### Mux

- Integrated USB2.0 analog mux for USB 2.0 HS data and UART data
- Integrated SBU analog mux for alternate modes (Displayport and Thunderbolt)

### LDO

- Integrated high-voltage LDO operational up to 21.5 V for dead battery mode operation

### CSA

- VBUS high-side Current Sense Amplifier capable of measuring current across 10-m $\Omega$  resistance

### PFET Gate Drivers

- Gate Drivers tolerant to 24 V to drive external VBUS PFET on the consumer and provider path
- Slew Rate Control

### 32-bit MCU Subsystem

- 48-MHz Arm Cortex-M0 CPU
- 128-KB Flash
- 12-KB SRAM

### Integrated Digital Blocks

- Two integrated timers and counters to meet response times required by the USB-PD protocol
- Four runtime serial communication blocks (SCBs) with reconfigurable I<sup>2</sup>C, SPI, or UART functionality

### Clocks and Oscillators

- Integrated oscillator eliminating the need for an external clock

### Operating Range

- VSYS (2.75 V–5.5 V)
- VBUS (4.0 V–21.5 V)

### Hot-Swappable I/Os

- I<sup>2</sup>C pins from SCB1 and CC1, CC2 pins are hot-swappable

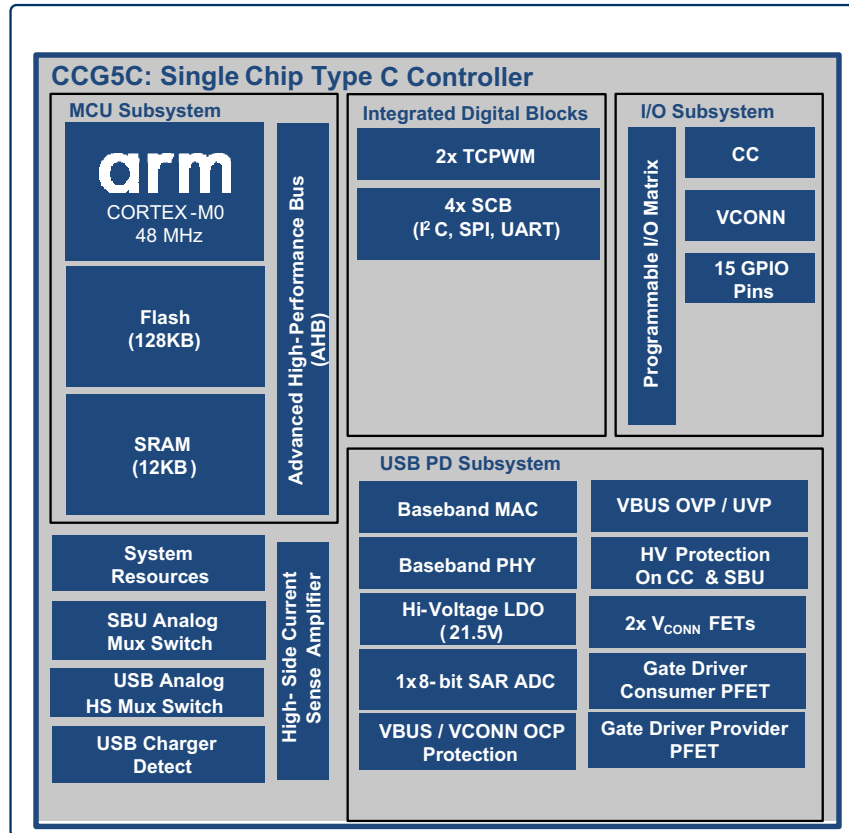
### Packages

- 6.0 mm × 6.0 mm, 0.5 mm, 40-pin QFN
- Supports industrial temperature range (–40 °C to +85 °C)

#### Notes

1. DFP refers to Power Source.
2. UFP refers to Power Sink.

Logic Block Diagram



## Contents

<b>Functional Overview</b> .....	<b>4</b>	<b>Acronyms</b> .....	<b>28</b>
USB-PD Subsystem (SS) .....	4	<b>Document Conventions</b> .....	<b>29</b>
CPU and Memory Subsystem .....	6	Units of Measure .....	29
<b>Power System Overview</b> .....	<b>7</b>	<b>References and Links to Applications Collateral</b> .....	<b>30</b>
Peripherals .....	8	Knowledge Base Articles .....	30
GPIO .....	8	Application Notes .....	30
<b>Pinouts</b> .....	<b>9</b>	Reference Designs .....	30
<b>Application Diagram</b> .....	<b>13</b>	Kits .....	30
<b>Electrical Specifications</b> .....	<b>14</b>	Datasheets .....	30
Absolute Maximum Ratings .....	14	<b>Document History Page</b> .....	<b>31</b>
Device-Level Specifications .....	15	<b>Sales, Solutions, and Legal Information</b> .....	<b>33</b>
Digital Peripherals .....	17	Worldwide Sales and Design Support .....	33
System Resources .....	19	Products .....	33
<b>Ordering Information</b> .....	<b>26</b>	PSoC® Solutions .....	33
Ordering Code Definitions .....	26	Cypress Developer Community .....	33
<b>Packaging</b> .....	<b>27</b>	Technical Support .....	33

## Functional Overview

### USB-PD Subsystem (SS)

#### USB-PD Physical Layer

The CCG5C USB-PD subsystem shown in [Figure 1](#) consists of the USB-PD physical layer (PHY) block and supporting circuits. The PHY block consists of a transmitter and receiver that communicates using BMC and 4b/5b encoded/decoded data over the CC channel based on the PD 3.0 specification. All communication is half-duplex. The PHY block practices collision avoidance to minimize communication errors on the channel.

Additionally, the CCG5C USB-PD block includes all termination resistors ( $R_p$  and  $R_d$ ) and their switches as required by the USB Type-C specification.  $R_p$  and  $R_d$  resistors are required for connection detection, plug orientation detection, and for establishing the USB source/sink roles.

The integrated  $R_p$  resistor enables CCG5C to be configured as a downstream facing port (DFP). The  $R_p$  resistor is implemented as a current source and can be programmed to support the complete range of current capacity on VBUS defined in the USB Type-C specification.

The  $R_d$  resistor is used to identify CCG5C as an upstream facing port (UFP) in a dual-role power (DRP) application. When the device is not powered, the Dead Battery  $R_d$  resistor on CC pins is required for dead battery termination detection and charging.

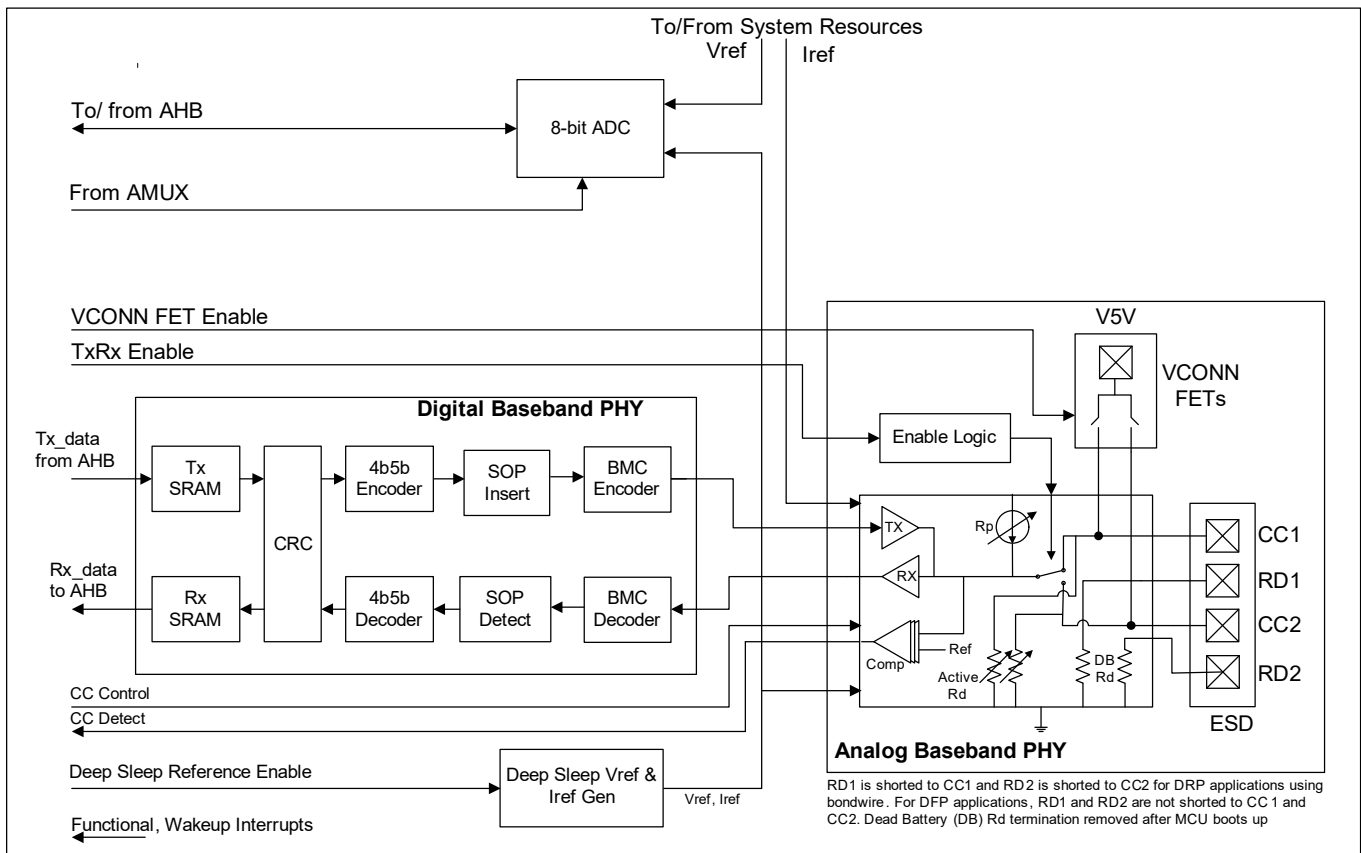
To support the latest USB-PD 3.0 specification, CCG5C includes Fast Role Swap (FRS). The FRS feature enables externally powered docks and hubs to rapidly switch to bus power when their external power supply is removed. CCG5C also supports FRS detection in Deep Sleep mode.

For more details about FRS, refer to Section 6.3.17 in the [USB-PD 3.0 specification](#).

CCG5C is designed to be fully interoperable with revision 3.0 and 2.0 of the USB Power Delivery specification.

CCG5C supports Extended Messages containing data of up to 260 bytes. The Extended Messages will be larger than expected by the USB-PD 2.0 hardware. To accommodate systems based on Revision 2.0, a Chunking mechanism is implemented such that messages are limited to Revision 2.0 sizes unless it is discovered that both systems support longer message lengths.

**Figure 1. USB-PD Subsystem**



### VCONN FET

CCG5C has a power supply input, V5V, for providing power to EMCA cables through integrated VCONN FETs. There are two VCONN FETs to power either CC1 or CC2 pins. These FETs can provide 1.5-W power over VCONN on CC1 and CC2 pins for active EMCA cables. CCG5C also includes overcurrent protection (OCP) on VCONN.

### ADC

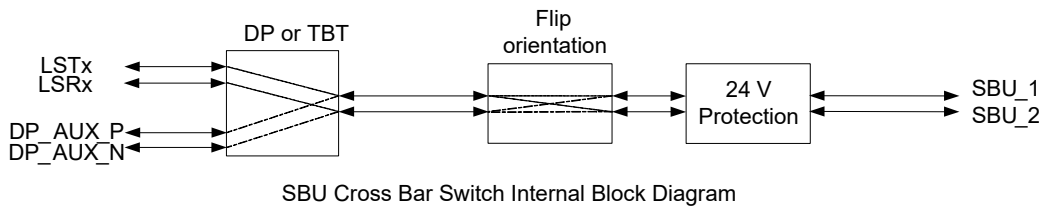
The USB-PD subsystem contains one 8-bit successive approximation register analog-to-digital converter (SAR ADC). The ADC includes an 8-bit digital-to-analog converter (DAC) and a comparator. The DAC output forms the positive input of the

comparator. The negative input of the comparator is from a 4-input multiplexer. The four inputs of the multiplexer are a pair of global analog multiplex busses, an internal bandgap voltage, and an internal voltage proportional to the absolute temperature. All GPIOs on the chip have access to the ADC through the chip-wide analog mux bus. CC1 and CC2 pins are not available to connect to the mux bus.

### SBU Mux

CCG5C integrates a SBU 4x2 mux that enables selection between the DisplayPort or Thunderbolt alternate mode and Type-C orientation as shown in Figure 2. Type-C facing SBU pins are protected from accidental short to high-voltage VBUS.

**Figure 2. CCG5C SBU Crossbar Switch Block Diagram**



### USB 2.0 Mux

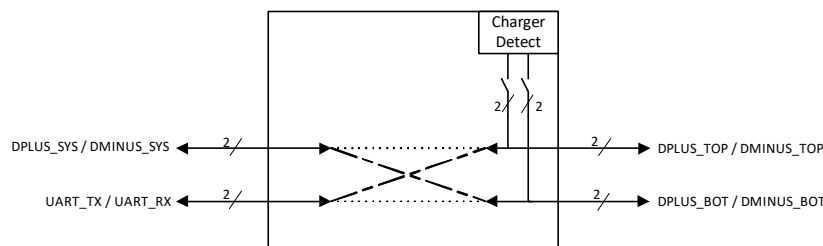
The HS mux contains a 2 × 2 cross bar switch to route the system DPLUS and DMINUS lines to the Type-C top or bottom port based on the CC (Type-C plug) orientation. Unused DPLUS and DMINUS top or bottom lines can be connected to a UART (Debug) port. The maximum operating frequency of UART must be 1 Mbps.

The USB 2.0 mux also contains charger detection/emulation for detecting USB BC 1.2 and Apple terminations. The charger detection block is connected to DPLUS and DMINUS from the system as shown in Figure 3.

To meet the HS eye diagram requirements with sufficient margin, follow these guidelines:

- It is recommended to keep the total USB HS signal trace lengths (USB 2.0 host to CCG5C + CCG5C to Type-C connector pins) to 4 inches.
- Total USB HS signal trace lengths can be increased up to 8 inches by adjusting the drive strength on the USB 2.0 host.
- The differential impedance across the DPLUS/DMINUS signal traces shall be 90 Ω.
- Trace width shall be 6 mils.
- Air Gap (distance between lines) shall be 8 mils.

**Figure 3. CCG5C DPLUS/DMINUS Switch Block Diagram**



### Overvoltage and Undervoltage Protection on VBUS

CCG5C implements an undervoltage/overvoltage (UVOV) detection circuit for the VBUS supply. The threshold for OV and UV detection can be set independently. Both UV and OV detector have programmable thresholds and is controlled by the firmware.

### Overcurrent Protection on VBUS

CCG5C integrates a high-side current sense amplifier to detect overcurrent on the VBUS. Overcurrent is detected using an external 10-mΩ sense resistor connected between the CSP and CSN pins. The OCP detector threshold is programmable and controlled by the firmware.

#### *VBUS Discharge*

CCG5C also has integrated VBUS discharge circuit. It is used to discharge VBUS to meet the USB-PD specification timing on a detach condition and negative voltage transition.

#### *VBUS Regulator*

CCG5C can operate from two power supplies – VSYS and VBUS. CCG5C integrates the regulator (that supports up to 21.5 V) to derive operating supply voltage. The VSYS always takes priority over VBUS. In the absence of VSYS, the regulator powers CCG5C from VBUS.

#### *Gate Driver for VBUS PFET on Consumer and Provider Path*

CCG5C has an integrated PFET gate driver to drive external PFETs on the VBUS consumer and provider path. The gate driver can drive only low or high-Z, thus requiring an external pull-up. This pin is VBUS voltage-tolerant.

#### *Charger Detect*

CCG5C integrates battery charger emulation and detection for USB BC 1.2 and Apple Charging.

#### *High-Voltage-Tolerant SBU and CC Lines*

The chip has high-voltage-tolerant SBU and CC lines. In the case of SBU/CC short to VBUS through connectors, these lines will be protected internally.

## **CPU and Memory Subsystem**

#### *CPU*

The Cortex-M0 CPU in EZ-PD CCG5C is part of the 32-bit MCU subsystem, which is optimized for low-power operation with extensive clock gating.

The CPU also includes a serial wire debug (SWD) interface, which is a 2-wire form of JTAG. The debug configuration used for EZ-PD CCG5C has four break-point (address) comparators and two watchpoint (data) comparators.

#### *Flash*

The EZ-PD CCG5C device has a 128-KB flash module with a flash accelerator, tightly coupled to the CPU to improve average access times from the flash block. The flash block is designed to deliver two wait-states (WS) access time at 48 MHz. The flash accelerator delivers 85% of single-cycle SRAM access performance on average. A part of the flash module can be used to emulate EEPROM operation if required.

#### *SRAM*

A supervisory ROM that contains boot and configuration routines is provided.

#### *SRAM*

CCG5C has 12 KB SRAM.

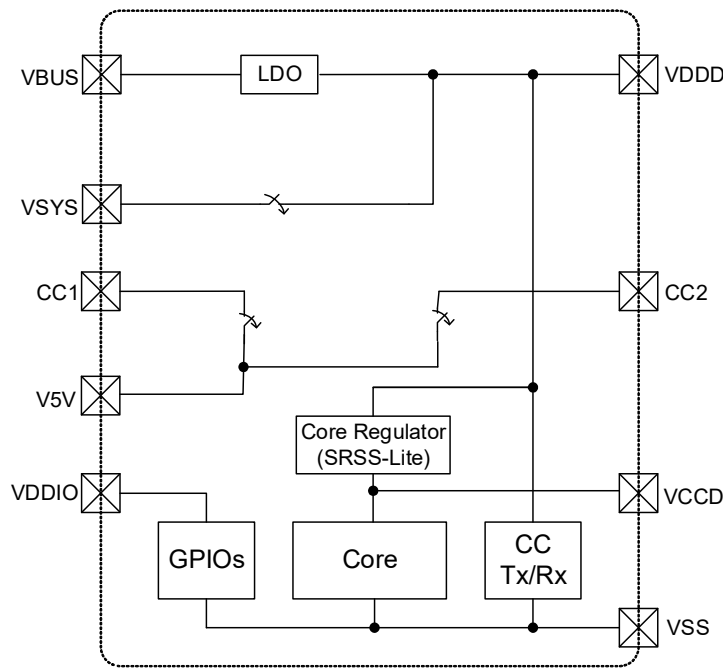
## Power System Overview

Figure 4 provides an overview of the EZ-PD CCG5C power system. CCG5C can operate from two possible external supply sources: VBUS (4 to 21.5 V) or VSYS (2.75 to 5.5 V). The VBUS supply is regulated inside the chip with a LDO. The switched supply, V<sub>DD</sub>, is used directly inside some analog blocks and further regulated down to V<sub>CCD</sub>, which powers majority of the core. CCG5C has two different power modes: Active and Deep Sleep. Transitions between these power modes are managed by the power system. A separate power domain, VDDIO, is provided for the GPIOs. The VDDD and VCCD pins, both outputs of regulators, are brought out for connecting a 1-μF and 0.1-μF capacitor respectively for the regulator stability only. The VCCD pin is not supported as a power supply. VDDD can source 2 mA (max) for external load. In CCG5C, VDDD shall be shorted to VDDIO on PCB.

Table 1. CCG5C Power Modes

Mode	Description
RESET	Power is valid and XRES is not asserted. An internal reset source is asserted or Sleep Controller is sequencing the system out of reset.
ACTIVE	Power is valid and CPU is executing instructions.
DEEP SLEEP	Main regulator and most blocks are shut off. Deep Sleep regulator powers logic, but only low-frequency clock is available.

Figure 4. EZ-PD CCG5C Power System





## Peripherals

CCG5C has four SCBs, which can each implement an I<sup>2</sup>C, UART, or SPI interface. Among four SCBs SCB4 is configurable in I<sup>2</sup>C mode only.

**I<sup>2</sup>C Mode:** The hardware I<sup>2</sup>C block implements a full multimaster and slave interface (it is capable of multimaster arbitration). This block is capable of operating at speeds of up to 1 Mbps (Fast Mode Plus) and has flexible buffering options to reduce interrupt overhead and latency for the CPU. The FIFO mode is available in all channels and is very useful in the absence of DMA.

The I<sup>2</sup>C peripheral is compatible with the I<sup>2</sup>C Standard mode, Fast mode, and Fast Mode Plus devices as defined in the NXP I<sup>2</sup>C bus specification and user manual (UM10204). The I<sup>2</sup>C bus I/O is implemented with GPIO in open-drain modes. The I<sup>2</sup>C bus uses open-drain drivers for clock and data with pull-up resistors on the bus for clock and data connected to all nodes. The required Rise and Fall times for different I<sup>2</sup>C speeds are guaranteed by using appropriate pull-up resistor values depending on V<sub>DD</sub>, bus capacitance, and resistor tolerance.

For detailed information on how to calculate the optimum pull-up resistor value for your design, refer to the UM10204 I<sup>2</sup>C bus specification and user manual (the latest revision is available at [www.nxp.com](http://www.nxp.com)).

CCG5C is not completely compliant with the I<sup>2</sup>C spec for the following:

- Only SCB1 is overvoltage-tolerant. SCB2, SCB3, and SCB4 GPIO cells are not overvoltage-tolerant and, therefore, cannot be hot-swapped or powered up independently of the rest of the I<sup>2</sup>C system.
- Fast Mode Plus has an I<sub>OL</sub> specification of 20 mA at a V<sub>OL</sub> of 0.4 V. GPIO cells can sink a maximum of 8-mA I<sub>OL</sub> with a V<sub>OL</sub> maximum of 0.6 V.
- Fast mode and Fast Mode Plus specify minimum Fall times, which are not met with the GPIO cell; Slow strong mode can help meet this spec depending on the bus load.

One of the SCB (typically SCB1) blocks is used to implement the Host Processor Interface (HPI) slave which allows an external MCU to control the firmware operation.

The HPI I<sup>2</sup>C Slave address is configurable using the I2C\_CFG\_EC pin as shown in below table.

**Table 2. I<sup>2</sup>C Slave Address Configuration**

I2C_CFG_EC configuration	Slave Address
Floating	0x08
Pulled up with 1 kΩ	0x42
Pulled down with 1 kΩ	0x40

**UART Mode:** This is a full-feature UART operating at up to 1 Mbps. It supports automotive single-wire interface (LIN), infrared interface (IrDA), and SmartCard (ISO7816) protocols, all of which are minor variants of the basic UART protocol. In addition, it supports the 9-bit multiprocessor mode that allows addressing of peripherals connected over common Rx and Tx lines. Common UART functions such as parity error, break

detect, and frame error are supported. An 8-deep FIFO allows much greater CPU service latencies to be tolerated.

**SPI Mode:** The SPI mode supports full Motorola SPI, TI SSP (essentially adds a start pulse used to synchronize SPI Codecs), and National Microwire (half-duplex form of SPI). The SPI block can use the FIFO.

### Timer/Counter/PWM Block (TCPWM)

CCG5C has two TCPWM blocks. Each TCPWM block consists of four 16-bit counters with user-programmable period length. There is a capture register to record the count value at the time of an event (which may be an I/O event), a period register which is used to either stop or auto-reload the counter when its count is equal to the period register, and compare registers to generate compare value signals which are used as PWM duty cycle outputs. The block also provides true and complementary outputs with programmable offset between them to allow use as deadband programmable complementary PWM outputs. It also has a kill input to force outputs to a predetermined state; for example, this is used in motor drive systems when an overcurrent state is indicated and the PWMs driving the FETs need to be shut off immediately with no time for software intervention.

## GPIO

CCG5C has 15 GPIOs that includes the SCB and SWD pins, which can also be used as GPIOs. The I<sup>2</sup>C pins from only SCB 1 are overvoltage-tolerant. The GPIO block implements the following:

- Seven drive strength modes:
  - Input only
  - Weak pull-up with strong pull-down
  - Strong pull-up with weak pull-down
  - Open drain with strong pull-down
  - Open drain with strong pull-up
  - Strong pull-up with strong pull-down
  - Weak pull-up with weak pull-down
- Input threshold select (CMOS or LVTTTL)
- Individual control of input and output buffers enabling/disabling in addition to the drive strength modes
- Hold mode for latching the previous state (used for retaining I/O state in Deep Sleep mode)
- Selectable slew rates for dV/dt-related noise control to improve EMI

The pins are organized in logical entities called ports, which are 8-bit in width. During power on and reset, the blocks are forced to the disable state so as not to crowbar any inputs and/or cause excess turn-on current. A multiplexing network known as a high-speed I/O matrix is used to multiplex between various signals that may connect to an I/O pin. Pin locations for fixed-function peripherals are also fixed to reduce internal multiplexing complexity.

Data output and pin state registers store, respectively, the values to be driven on the pins and the states of the pins themselves. Every I/O pin can generate an interrupt if so enabled and each I/O port has an interrupt request (IRQ) and interrupt service routine (ISR) vector associated with it (5 for CCG5C since it has five ports).

## Pinouts

**Table 3. Pinout for CYPD5126-40LQXIT and CYPD5137-40LQXI**

Group Name	Pin Name	Port	Pin	Description
USB Type-C	CC1	Analog	9	Connect to Type-C CC1 pin. Filter noise with 390-pF cap to GND.
	CC2	Analog	7	Connect to Type-C CC2 pin. Filter noise with 390-pF cap to GND.
Mux	DPLUS_SYS	Analog	23	Connect to USB 2.0 DP from Host side.
	DMINUS_SYS	Analog	24	Connect to USB 2.0 DM from Host side.
	UART_TX/GPIO	P4.0	29	Connect to Debug port UART_TX (optional) from host side or can be used as GPIO. If unused, leave floating.
	UART_RX/GPIO	P4.1	30	Connect to Debug port UART_RX (optional) from host side or can be used as GPIO. If unused, leave floating.
	DPLUS_BOT	Analog	26	Connect to Type-C DP1 pin. Keep trace length less than 2 inches.
	DMINUS_BOT	Analog	25	Connect to Type-C DM1 pin. Keep trace length less than 2 inches.
	DMINUS_TOP	Analog	27	Connect to Type-C DM2 pin. Keep trace length less than 2 inches.
	DPLUS_TOP	Analog	28	Connect to Type-C DP2 pin. Keep trace length less than 2 inches.
	SBU2	Analog	34	Connect to Type-C SBU2 pin.
	SBU1	Analog	35	Connect to Type-C SBU1 pin.
	AUX_P	Analog	36	Connect to Auxiliary Signal P from DisplayPort Controller. If not used, leave floating.
	AUX_N	Analog	37	Connect to Auxiliary Signal N from DisplayPort Controller. If not used, leave floating.
	LSTX	Analog	38	Thunderbolt Link Management UART Rx. If not used, leave floating.
LSRX	Analog	39	Thunderbolt Link Management UART Tx. If not used, leave floating.	
VBUS Control	VBUS_P_CTRL	Analog	11	Pin for enabling/disabling Provider Side PFET 0: Path ON High-Z: Path OFF
	VBUS_C_CTRL	Analog	12	Pin for enabling/disabling Consumer Side PFET 0: Path ON High-Z: Path OFF
VBUS OCP	CSP	Analog	1	Current Sense Positive Input
	CSN	Analog	40	Current Sense Negative Input
GPIOs and Serial Interfaces	SWD_IO/TBT_RST/GPIO	P1.4	6	SWD I/O/GPIO
	SWD_CLK/I2C_CFG_EC/ GPIO	P1.0	2	SWD Clock/ I <sup>2</sup> C config line. I <sup>2</sup> C config line is used to select the I <sup>2</sup> C address of HPI interface. The state of line decides the 7 bit I <sup>2</sup> C address for HPI. I <sup>2</sup> C Config Line Floating: 0x08 Pulled up with 1 k $\Omega$ : 0x42 Pulled down with 1 k $\Omega$ : 0x40
	I2C_SDA_SCB2_TBT/GPIO	P1.1	3	SCB2 I <sup>2</sup> C Data/GPIO
	I2C_SCL_SCB2_TBT/GPIO	P1.2	4	SCB2 I <sup>2</sup> C Clock/GPIO
	I2C_INT_TBT/GPIO	P1.3	5	TBT interrupt/GPIO

**Table 3. Pinout for CYPD5126-40LQXIT and CYPD5137-40LQXI (continued)**

Group Name	Pin Name	Port	Pin	Description
GPIOs and Serial Interfaces	OVP_TRIP/I2C_SDA_SCB4/GPIO	P2.1	14	VBUS overvoltage output indicator/SCB4 I <sup>2</sup> C Data
	UV_OCP_TRIP/I2C_SCL_SCB4/GPIO	P2.0	13	VBUS undervoltage or OCP Output Indicator/SCB4 I <sup>2</sup> C Clock/GPIO
	I2C_SDA_SCB1_EC/GPIO	P5.0	16	SCB1 I <sup>2</sup> C Data/GPIO
	I2C_SCL_SCB1_EC/GPIO	P5.1	17	SCB1 I <sup>2</sup> C Clock/GPIO
	I2C_INT_EC/GPIO	P2.2	15	Embedded Controller interrupt/GPIO
	HPD/GPIO	P3.0	18	Hot Plug Detect I/O/GPIO
	I2C_SDA_SCB3/GPIO/VSEL_2	P3.1	20	SCB3 I <sup>2</sup> C Data or GPIO or voltage selection control for VBUS
	I2C_SCL_SCB3/GPIO/VSEL_1	P3.2	21	SCB3 I <sup>2</sup> C Clock or GPIO or voltage selection control for VBUS
Reset	XRES	Analog	10	Reset input (Active LOW)
Power	VBUS	Power	22	Supply input (4 V–21.5 V) for VBUS to 3.3-V Regulator. This pin also discharges VBUS using internal pull-down and also has monitors for overvoltage and undervoltage conditions.
	VSYS	Power	19	Supply input (2.75 V–5.5 V) for PD subsystem and system resources.
	VDDD	Power	31	Output of VBUS to 3.3-V regulator or connected to VSYS using switch. Bypass with cap to GND. This pin can drive 2-mA external load.
	VDDIO	Power	32	This pin can be shorted to VDDD or an independent supply can be given.
	VCCD	Power	33	1.8-V regulator output for filter capacitor. This pin cannot drive external load.
	V5V	Power	8	4.85-V to 5.5-V supply input to power EMCA cables. Connected to CC1 or CC2 using low-impedance switches.
Ground	VSS	Ground	EPAD	Ground

Figure 5. 40-Pin QFN Pin Map (Top View) for CYPD5126-40LQXIT and CYPD5137-40LQXI

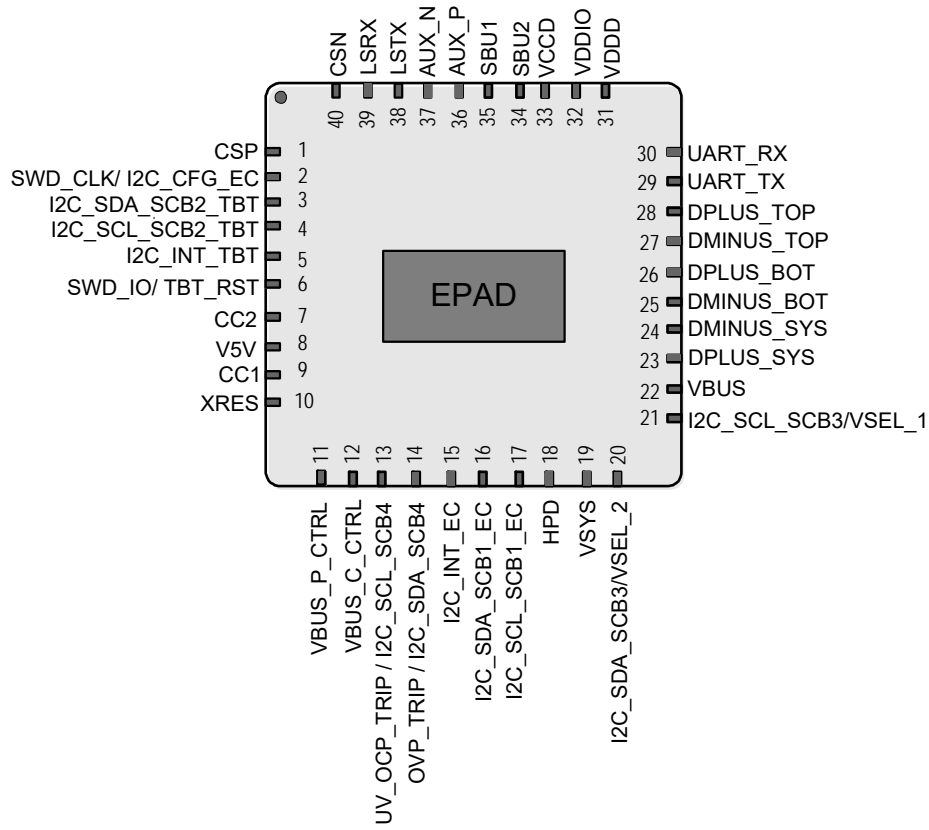


Table 4 through Table 7 provide the various configuration options for the serial interfaces.

**Table 4. Serial Communication Block (SCB1) Configuration**

QFN Pin	UART	SPI	I <sup>2</sup> C	GPIO Functionality
16	UART_RTS_SCB1	SPI_MOSI_SCB1	I2C_SDA_SCB1	GPIO
17	UART_TX_SCB1	SPI_MISO_SCB1	I2C_SCL_SCB1	GPIO
18	UART_RX_SCB1	SPI_CLK_SCB1	–	HPD/GPIO
15	UART_CTS_SCB1	SPI_SEL_SCB1	–	I2C_INT_EC/GPIO

**Table 5. Serial Communication Block (SCB2) Configuration**

QFN Pin	UART	SPI Master	I <sup>2</sup> C Slave	GPIO Functionality
2	UART_RX_SCB2	SPI_SEL_SCB2	–	SWD_CLK/I2C_CFG_EC/GPIO
3	UART_TX_SCB2	SPI_MOSI_SCB2	I2C_SDA_SCB2	I2C_SDA_SCB2_TBT/GPIO
4	UART_CTS_SCB2	SPI_MISO_SCB2	I2C_SCL_SCB2	I2C_SCL_SCB2_TBT/GPIO
5	UART_RTS_SCB2	SPI_CLK_SCB2	–	I2C_INT_TBT/GPIO

**Table 6. Serial Communication Block (SCB3) Configuration**

QFN Pin	UART	SPI Master	I <sup>2</sup> C Slave	GPIO Functionality
20	UART_CTS_SCB3	SPI_SEL_SCB3	I2C_SDA_SCB3	VSEL_2/GPIO
21	UART_RTS_SCB3	SPI_MOSI_SCB3	I2C_SCL_SCB3	VSEL_1/GPIO
29	UART_TX_SCB3	SPI_MISO_SCB3	–	UART_TX / GPIO
30	UART_RX_SCB3	SPI_CLK_SCB3	–	UART_RX / GPIO

**Table 7. Serial Communication Block (SCB4) Configuration**

QFN Pin	UART	SPI Master	I <sup>2</sup> C Slave	GPIO Functionality
13	–	–	I2C_SCL_SCB4	GPIO
14	–	–	I2C_SDA_SCB4	GPIO

## Application Diagram

Figure 6 illustrates a Type-C port Thunderbolt notebook DRP application diagram using CCG5C. The Type-C port can be used as a power provider or a power consumer.

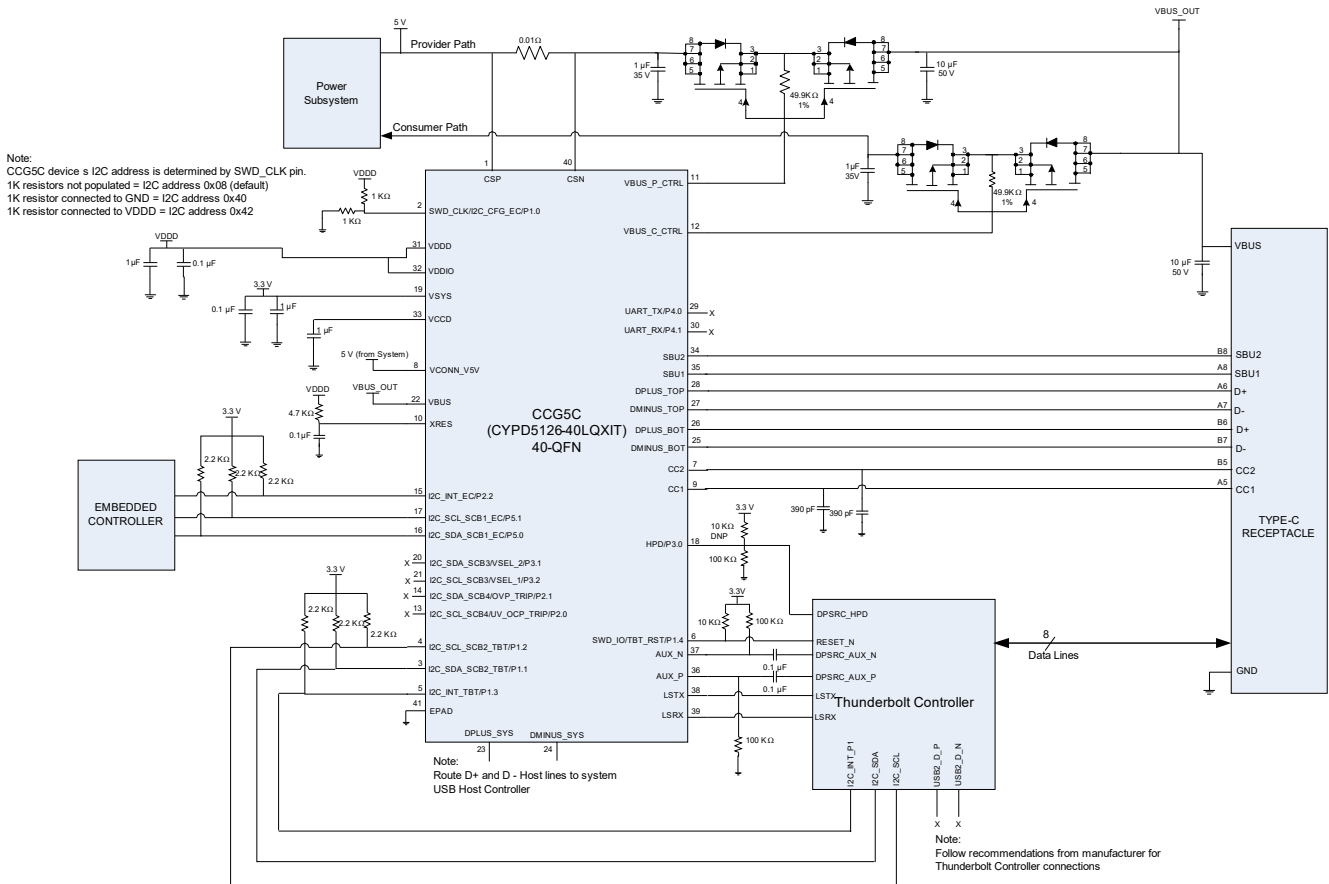
The CCG5C device communicates with the embedded controller (EC), which manages the Battery Charger Controller (BCC) to control the charging and discharging of the internal battery. It also updates the Thunderbolt Controller via I<sup>2</sup>C to route the high-speed signals coming from the Type-C port to the USB host (during normal mode) or the graphics processor unit (during DisplayPort Alternate mode) or the Thunderbolt Host (during Thunderbolt Alternate mode) based on the alternate mode negotiation.

The CCG5C device controls the transfer of USB 2.0 DPLUS and DMINUS lines from the top and bottom of the Type-C receptacle to the DPLUS and DMINUS lines of the USB Host controller. CCG5C also handles the routing of SBU1 and SBU2 lines from the Type-C receptacle to the Thunderbolt controller for link management. CCG5C offers VBUS short protection on SBU and CC lines.

The CCG5C device has an integrated VCONN FETs for applications that need to provide power for accessories and cables using the VCONN pin of the Type-C receptacle. VBUS FETs are also used for providing power over VBUS and for consuming power over VBUS. The 10-mΩ resistor between the 5-V supply and provider FETs is used for overcurrent detection on the VBUS. The VBUS\_P\_CTRL pin of CCG5C has an in-built VBUS monitoring circuit that can detect OV and UV on VBUS.

Figure 6 illustrates a single-port Thunderbolt notebook DRP application diagram using CYPD5126-40LQXIT.

**Figure 6. CCG5C in a Single Port Notebook Application using CYPD5126-40LQXIT**



## Electrical Specifications

### Absolute Maximum Ratings

**Table 8. Absolute Maximum Ratings<sup>[3]</sup>**

Parameter	Description	Min	Typ	Max	Unit	Details/Conditions	
V <sub>SYS_MAX</sub>	Supply relative to V <sub>SS</sub>	–	–	6	V	–	
V <sub>5V_MAX</sub>	Max supply voltage relative to V <sub>SS</sub>	–	–	6			
V <sub>BUS_MAX</sub>	Max VBUS voltage relative to V <sub>SS</sub>	–	–	24			
V <sub>DDIO_MAX</sub>	Max supply voltage relative to V <sub>SS</sub>	–	–	V <sub>DDD</sub>			
V <sub>GPIO_ABS</sub>	Inputs to GPIO, DP/DM mux (UART, SYS, DP/DM_top/bot pins), SBU mux (SBU1/2 pins)	–0.5	–	V <sub>DDIO</sub> + 0.5			
I <sub>GPIO_ABS</sub>	Maximum current per GPIO	–25	–	25	mA	–	
I <sub>GPIO_INJECTION</sub>	GPIO injection current, Max for V <sub>IH</sub> > V <sub>DDD</sub> , and Min for V <sub>IL</sub> < V <sub>SS</sub>	–0.5	–	0.5		Absolute max, current injected per pin	
ESD_HBM	Electrostatic discharge human body model	2200	–	–	V	–	
ESD_CDM	Electrostatic discharge charged device model	500	–	–		–	
LU	Pin current for latch-up	–200	–	200	mA	–	
VCC_PIN_ABS	Max voltage on CC1 and CC2 pins	–	–	24		V	–
VSBU_PIN_ABS	Max voltage on SBU1 and SBU2 pins	–	–	24			–
VGPIO_OVT_ABS	OVT pins (16, 17) voltage	–0.5	–	6			–
ESD_HBM_SBU	Electrostatic discharge human body model for SBU1, SBU2 pins	1100	–	–			Only applicable to SBU1 and SBU2 pins

**Note**

3. Usage above the absolute maximum conditions listed in Table 8 may cause permanent damage to the device. Exposure to absolute maximum conditions for extended periods of time may affect device reliability. The maximum storage temperature is 150 °C in compliance with JEDEC Standard JESD22-A103, High Temperature Storage Life. When used below absolute maximum conditions but above normal operating conditions, the device may not operate to specification.

**Device-Level Specifications**

All specifications are valid for  $-40\text{ }^{\circ}\text{C} \leq T_A \leq 85\text{ }^{\circ}\text{C}$  and  $T_J \leq 120\text{ }^{\circ}\text{C}$ , except where noted. Specifications are valid for 3.0 V to 5.5 V except where noted.

**Table 9. DC Specifications (Operating Conditions)**

Spec ID	Parameter	Description	Min	Typ	Max	Unit	Details/Conditions
SID.PWR#23	V <sub>SYS</sub>	–	2.75	–	5.5	V	UFP applications
SID.PWR#23_A	V <sub>SYS</sub>	–	3	–	5.5		DFP/DRP applications
SID.PWR#22	V <sub>BUS</sub>	–	4	–	21.5		–
SID.PWR#1	V <sub>DDD</sub>	Regulated output voltage when V <sub>SYS</sub> powered	V <sub>SYS</sub> – 0.05	–	V <sub>SYS</sub>		–
SID.PWR#1_A	V <sub>DDD</sub>	Regulated output voltage when V <sub>BUS</sub> powered	3	–	3.65		–
SID.PWR#26	V <sub>5V</sub>	–	4.85	–	5.5		–
SID.PWR#13	V <sub>DDIO</sub>	–	V <sub>DDD</sub>	–	V <sub>DDD</sub>		At system-level, short V <sub>DDIO</sub> to V <sub>DDD</sub>
SID.PWR#24	V <sub>CCD</sub>	Regulated output voltage (for core logic)	–	1.8	–		–
SID.PWR#15	C <sub>EFC</sub>	Regulator bypass capacitor for V <sub>CCD</sub>	–	100	–	nF	X5R ceramic
SID.PWR#16	C <sub>EXC</sub>	Regulator bypass capacitor for V <sub>DDD</sub>	–	1	–		
<b>Active Mode, V<sub>SYS</sub> = 2.75 to 5.5 V. Typical values measured at V<sub>SYS</sub> = 3.3 V</b>							
SID.PWR#4	I <sub>DD12</sub>	Supply current	–	10	–	mA	T <sub>A</sub> = 25 °C, CC I/O IN Transmit or Receive, no I/O sourcing current, CPU at 24 MHz, PD port active
<b>Deep Sleep Mode, V<sub>SYS</sub> = 2.75 to 3.6 V</b>							
SID34	I <sub>DD29</sub>	V <sub>SYS</sub> = 2.75 to 3.6 V, I <sup>2</sup> C, wakeup and WDT on.	–	150	–	μA	V <sub>SYS</sub> = 3.3 V, T <sub>A</sub> = 25 °C,
SID_DS1	I <sub>DD_DS1</sub>	V <sub>SYS</sub> = 3.3 V, CC wakeup on, Type-C not connected	–	100	–		Power source = V <sub>SYS</sub> , Type-C not attached, CC enabled for wakeup, Rp and Rd connected at 70-ms intervals by CPU.
SID_DS3	I <sub>DD_DS2</sub>	V <sub>SYS</sub> = 3.3 V, CC wakeup on, DP/DM, SBU ON with ADC/CSA/UVOV On	–	500	–		IDD_DS1 + DP/DM, SBU, CC ON, ADC/CSA/UVOV ON
<b>XRES Current</b>							
SID307	I <sub>DD_XR</sub>	Supply current while XRES asserted	–	130	–	μA	Power Source = V <sub>SYS</sub> = 3.3 V, Type-C Not Attached, T <sub>A</sub> = 25 °C

**CPU**
**Table 10. CPU Specifications (Guaranteed by Characterization)**

Spec ID	Parameter	Description	Min	Typ	Max	Unit	Details/Conditions
SID.CLK#4	F <sub>CPU</sub>	CPU input frequency	–	–	48	MHz	All V <sub>DDD</sub>
SID.PWR#21	T <sub>DEEPSLEEP</sub>	Wakeup from Deep Sleep mode	–	35	–	μs	Guaranteed by characterization
SYS.XRES#5	T <sub>XRES</sub>	External reset pulse width	5	–	–		
SYS.FES#1	T <sub>PWR_RDY</sub>	Power-up to “Ready to accept I <sup>2</sup> C/CC command”	–	5	25	ms	



**GPIO**
**Table 11. GPIO DC Specifications**

Spec ID	Parameter	Description	Min	Typ	Max	Unit	Details/Conditions	
SID.GIO#37	V <sub>IH_CMOS</sub>	Input voltage HIGH threshold	0.7 × V <sub>DDIO</sub>	–	–	V	CMOS input	
SID.GIO#38	V <sub>IL_CMOS</sub>	Input voltage LOW threshold	–	–	0.3 × V <sub>DDIO</sub>			
SID.GIO#39	V <sub>IH_VDDIO2.7-</sub>	LVTTL input, V <sub>DDIO</sub> < 2.7 V	0.7 × V <sub>DDIO</sub>	–	–			
SID.GIO#40	V <sub>IL_VDDIO2.7-</sub>	LVTTL input, V <sub>DDIO</sub> < 2.7 V	–	–	0.3 × V <sub>DDIO</sub>			
SID.GIO#41	V <sub>IH_VDDIO2.7+</sub>	LVTTL input, V <sub>DDIO</sub> ≥ 2.7 V	2.0	–	–			
SID.GIO#42	V <sub>IL_VDDIO2.7+</sub>	LVTTL input, V <sub>DDIO</sub> ≥ 2.7 V	–	–	0.8			
SID.GIO#33	V <sub>OH</sub>	Output voltage HIGH level	V <sub>DDIO</sub> – 0.6	–	–			I <sub>OH</sub> = –4 mA at 3-V V <sub>DDIO</sub>
SID.GIO#34	V <sub>OH</sub>	Output voltage HIGH level	V <sub>DDIO</sub> – 0.5	–	–			I <sub>OH</sub> = –1mA at 1.8-V V <sub>DDIO</sub>
SID.GIO#35	V <sub>OL</sub>	Output voltage LOW level	–	–	0.6			I <sub>OL</sub> = 4 mA at 1.8-V V <sub>DDIO</sub>
SID.GIO#35A	V <sub>OL_I2C_2</sub>	Output low voltage	–	–	0.4			I <sub>OL</sub> = 3 mA, V <sub>DDIO</sub> > 2 V
SID.GIO#35B	V <sub>OL_I2C_3</sub>	Output low voltage	–	–	0.6 <sup>[4]</sup>			I <sub>OL</sub> = 6 mA, V <sub>DDIO</sub> > 1.71 V
SID.GIO#35C	V <sub>OL1_20mA</sub>	Output low voltage	–	–	0.4			I <sub>OL</sub> = 20 mA for V <sub>DDIO</sub> > 3 V, applicable for overvoltage-tolerant pins only.
SID.GIO#36	V <sub>OL</sub>	Output voltage LOW level	–	–	0.6		I <sub>OL</sub> = 10 mA (I <sub>OL_LED</sub> ) at 3-V V <sub>DDIO</sub>	
SID.GIO#5	R <sub>PU</sub>	Pull-up resistor when enabled	3.5	5.6	8.5	kΩ	+25 °C T <sub>A</sub> , All V <sub>DDIO</sub>	
SID.GIO#6	R <sub>PD</sub>	Pull-down resistor when enabled	3.5	5.6	8.5			
SID.GIO#16	I <sub>IL</sub>	Input leakage current (absolute value)	–	–	2	nA	+25 °C T <sub>A</sub> , 3-V V <sub>DDIO</sub>	
SID.GIO#17	C <sub>PIN</sub>	Max pin capacitance	–	3	7	pF	–	
SID.GIO#43	V <sub>HYSTTL</sub>	Input hysteresis, LVTTL	15	40	–	mV	V <sub>DDIO</sub> > 2.7 V. Guaranteed by characterization	
SID.GIO#44	V <sub>HYS CMOS</sub>	Input hysteresis CMOS	0.05 × V <sub>DDIO</sub>	–	–		V <sub>DDIO</sub> < 4.5 V	
SID.GIO#44A	V <sub>HYS CMOS55</sub>	Input hysteresis CMOS	200	–	–			

**Table 12. GPIO AC Specifications (Guaranteed by Characterization)**

Spec ID	Parameter	Description	Min	Typ	Max	Unit	Details/Conditions
SID70	T <sub>RISE F</sub>	Rise time in Fast Strong mode	2	–	12	ns	3.3-V V <sub>DDIO</sub> , C <sub>load</sub> = 25 pF
SID71	T <sub>FALL F</sub>	Fall time in Fast Strong mode	2	–	12		
SID.GIO#46	T <sub>RISE S</sub>	Rise time in Slow Strong mode	10	–	60		
SID.GIO#47	T <sub>FALL S</sub>	Fall time in Slow Strong mode	10	–	60		
SID.GIO#48	F <sub>GPIO_OUT1</sub>	GPIO F <sub>OUT</sub> ; 3.3 V ≤ V <sub>DDIO</sub> ≤ 5.5 V. Fast Strong mode	–	–	16	MHz	90/10%, 25-pF load
SID.GIO#49	F <sub>GPIO_OUT2</sub>	GPIO F <sub>OUT</sub> ; 1.7 V ≤ V <sub>DDIO</sub> ≤ 3.3 V. Fast Strong mode	–	–	16		
SID.GIO#50	F <sub>GPIO_OUT3</sub>	GPIO F <sub>OUT</sub> ; 3.3 V ≤ V <sub>DDIO</sub> ≤ 5.5 V. Slow Strong mode	–	–	7		

**Note**

4. To drive full bus load at 400 kHz, 6-mA I<sub>OL</sub> is required at 0.6-V V<sub>OL</sub>. Parts not meeting this specification can still function, but not at 400 kHz and 400 pF.

**Table 12. GPIO AC Specifications (Guaranteed by Characterization) (continued)**

Spec ID	Parameter	Description	Min	Typ	Max	Unit	Details/Conditions
SID.GIO#51	F <sub>GPIO_OUT4</sub>	GPIO F <sub>OUT</sub> ; 1.7 V ≤ V <sub>DDIO</sub> ≤ 3.3 V. Slow Strong mode	–	–	3.5	MHz	90/10%, 25-pF load
SID.GIO#52	F <sub>GPIO_IN</sub>	GPIO input operating frequency; 1.7 V ≤ V <sub>DDIO</sub> ≤ 5.5 V	–	–	16		90/10% V <sub>IO</sub>

XRES

**Table 13. XRES DC Specifications**

Spec ID	Parameter	Description	Min	Typ	Max	Unit	Details/Conditions
SID.XRES#1	V <sub>IH</sub>	Input voltage HIGH threshold	0.7 × V <sub>DDIO</sub>	–	–	V	CMOS input
SID.XRES#2	V <sub>IL</sub>	Input voltage LOW threshold	–	–	0.3 × V <sub>DDIO</sub>		
SID.XRES#3	C <sub>IN</sub>	Input capacitance	–	–	7	pF	–
SID.XRES#4	V <sub>HYSXRES</sub>	Input voltage hysteresis	–	0.05 × V <sub>DDIO</sub>	–	mV	Guaranteed by characterization

### Digital Peripherals

The following specifications apply to the Timer/Counter/PWM peripherals in the Timer mode.

*Pulse Width Modulation (PWM) for GPIO Pins*

**Table 14. PWM AC Specifications (Guaranteed by Characterization)**

Spec ID	Parameter	Description	Min	Typ	Max	Unit	Details/Conditions	
SID.TCPWM.3	T <sub>CPWMFREQ</sub>	Operating frequency	–	–	F <sub>c</sub>	MHz	F <sub>c</sub> max = CLK_SYS. Maximum = 48 MHz	
SID.TCPWM.4	T <sub>PWMENEXT</sub>	Input trigger pulse width	2/F <sub>c</sub>	–	–		ns	For all trigger events
SID.TCPWM.5	T <sub>PWMEXT</sub>	Output trigger pulse width	2/F <sub>c</sub>	–	–			Minimum possible width of Overflow, Underflow, and CC (Counter equals Compare value) outputs
SID.TCPWM.5A	T <sub>CRES</sub>	Resolution of counter	1/F <sub>c</sub>	–	–			Minimum time between successive counts
SID.TCPWM.5B	PWM <sub>RES</sub>	PWM resolution	1/F <sub>c</sub>	–	–			Minimum pulse width of PWM output
SID.TCPWM.5C	Q <sub>RES</sub>	Quadrature inputs resolution	1/F <sub>c</sub>	–	–			Minimum pulse width between quadrature-phase inputs

I<sup>2</sup>C

**Table 15. Fixed I<sup>2</sup>C AC Specifications**

(Guaranteed by Characterization)

Spec ID	Parameter	Description	Min	Typ	Max	Unit	Details/Conditions
SID153	F <sub>I2C1</sub>	Bit rate	–	–	1	Mbps	–

UART

**Table 16. Fixed UART AC Specifications**

(Guaranteed by Characterization)

Spec ID	Parameter	Description	Min	Typ	Max	Unit	Details/Conditions
SID162	F <sub>UART</sub>	Bit rate	–	–	1	Mbps	–

*SPI*
**Table 17. Fixed SPI AC Specifications**

(Guaranteed by Characterization)

Spec ID	Parameter	Description	Min	Typ	Max	Unit	Details/Conditions
SID166	F <sub>SPI</sub>	SPI operating frequency (Master; 6x oversampling)	–	–	8	MHz	–

**Table 18. Fixed SPI Master Mode AC Specifications**

(Guaranteed by Characterization)

Spec ID	Parameter	Description	Min	Typ	Max	Unit	Details/Conditions
SID167	T <sub>DMO</sub>	MOSI valid after SClk driving edge	–	–	15	ns	–
SID168	T <sub>DSI</sub>	MISO valid before SClk capturing edge	20	–	–		Full clock, late MISO sampling
SID169	T <sub>HMO</sub>	Previous MOSI data hold time	0	–	–		Referred to slave capturing edge

**Table 19. Fixed SPI Slave Mode AC Specifications**

(Guaranteed by Characterization)

Spec ID	Parameter	Description	Min	Typ	Max	Unit	Details/Conditions
SID170	T <sub>DMI</sub>	MOSI Valid before SClk capturing edge	40	–	–	ns	–
SID171	T <sub>DSO</sub>	MISO Valid after SClk driving edge	–	–	48 + (3 × T <sub>CPU</sub> )		T <sub>CPU</sub> = 1 / F <sub>CPU</sub>
SID171A	T <sub>DSO_EXT</sub>	MISO Valid after SClk driving edge in Ext Clk mode	–	–	48		–
SID172	T <sub>HSO</sub>	Previous MISO data hold time	0	–	–		–
SID172A	T <sub>SSELSCK</sub>	SSEL Valid to first SCK Valid edge	100	–	–		–

*Memory*
**Table 20. Flash AC Specifications**

Spec ID	Parameter	Description	Min	Typ	Max	Unit	Details/Conditions
SID.MEM#4	T <sub>ROW_WRITE</sub>	Row (Block) write time (erase and program)	–	–	20	ms	–
SID.MEM#3	T <sub>ROW_ERASE</sub>	Row erase time	–	–	13		–
SID.MEM#8	T <sub>ROWPROGRAM</sub>	Row program time after erase	–	–	7		25 °C to 55 °C, All V <sub>DDD</sub>
SID178	T <sub>BULKERASE</sub>	Bulk erase time (128 KB)	–	–	35		Guaranteed by design
SID180	T <sub>DEVPROG</sub>	Total device program time	–	–	25	s	–
SID.MEM#6	F <sub>END</sub>	Flash endurance	100k	–	–	cycles	–
SID182	F <sub>RET1</sub>	Flash retention, T <sub>A</sub> ≤ 55 °C, 100k P/E cycles	20	–	–		–
SID182A	F <sub>RET2</sub>	Flash retention, T <sub>A</sub> ≤ 85 °C, 10k P/E cycles	10	–	–		–

**System Resources**
*Power-on-Reset (POR) with Brown Out*
**Table 21. Imprecise Power On Reset (IPOR)**

Spec ID	Parameter	Description	Min	Typ	Max	Unit	Details/Conditions
SID185	V <sub>RISEIPOR</sub>	Rising trip voltage	0.80	–	1.50	V	Guaranteed by characterization
SID186	V <sub>FALLIPOR</sub>	Falling trip voltage	0.70	–	1.4		

**Table 22. Precise Power On Reset (POR)**

Spec ID	Parameter	Description	Min	Typ	Max	Unit	Details/Conditions
SID190	V <sub>FALLPPOR</sub>	Brown-out detect (BOD) trip voltage in active/sleep modes	1.48	–	1.62	V	Guaranteed by characterization
SID192	V <sub>FALLDPSLP</sub>	BOD trip voltage in Deep Sleep mode	1.1	–	1.5		

*SWD Interface*
**Table 23. SWD Interface Specifications**

Spec ID	Parameter	Description	Min	Typ	Max	Unit	Details/Conditions
SID.SWD#1	F_SWDCLK1	$3.3\text{ V} \leq V_{DDIO} \leq 5.5\text{ V}$	–	–	14	MHz	SWDCLK $\leq$ 1/3 CPU clock frequency
SID.SWD#2	F_SWDCLK2	$1.8\text{ V} \leq V_{DDIO} \leq 3.3\text{ V}$	–	–	7		SWDCLK $\leq$ 1/3 CPU clock frequency
SID.SWD#3	T_SWDI_SETUP	$T = 1/f\text{ SWDCLK}$	$0.25 \times T$	–	–	ns	Guaranteed by characterization
SID.SWD#4	T_SWDI_HOLD	$T = 1/f\text{ SWDCLK}$	$0.25 \times T$	–	–		
SID.SWD#5	T_SWDO_VALID	$T = 1/f\text{ SWDCLK}$	–	–	$0.50 \times T$		
SID.SWD#6	T_SWDO_HOLD	$T = 1/f\text{ SWDCLK}$	1	–	–		

*Internal Main Oscillator*
**Table 24. IMO AC Specifications**

(Guaranteed by Design)

Spec ID	Parameter	Description	Min	Typ	Max	Unit	Details/Conditions
SID.CLK#13	F <sub>IMOTOL</sub>	Frequency variation at 48 MHz (trimmed)	–	–	$\pm 2$	%	$2.7\text{ V} \leq V_{DD} < 5.5\text{ V}$ . – $25\text{ }^\circ\text{C} \leq T_A \leq 85\text{ }^\circ\text{C}$
SID226	T <sub>STARTIMO</sub>	IMO start-up time	–	–	7	$\mu\text{s}$	–
SID.CLK#1	F <sub>IMO</sub>	IMO frequency	–	48	–	MHz	–

*Internal Low-speed Oscillator*
**Table 25. ILO AC Specifications**

Spec ID	Parameter	Description	Min	Typ	Max	Unit	Details/Conditions
SID234	T <sub>STARTILO1</sub>	I <sub>LO</sub> start-up time	–	–	2	ms	Guaranteed by characterization
SID238	T <sub>ILODUTY</sub>	I <sub>LO</sub> duty cycle	40	50	60	%	
SID.CLK#5	F <sub>ILO</sub>	I <sub>LO</sub> frequency	20	40	80	kHz	–

PD

**Table 26. PD DC Specifications**

Spec ID	Parameter	Description	Min	Typ	Max	Unit	Details/Conditions
SID.DC.cc_shvt.1	vSwing	Transmitter Output High Voltage	1.05	–	1.2	V	–
SID.DC.cc_shvt.2	vSwing_low	Transmitter Output Low Voltage		–	0.075		–
SID.DC.cc_shvt.3	zDriver	Transmitter output impedance	33	–	75	Ω	–
SID.DC.cc_shvt.4	zBmcRx	Receiver Input Impedance	10	–		MΩ	Guaranteed by design
SID.DC.cc_shvt.5	Idac_std	Source current for USB standard advertisement	64	–	96	μA	–
SID.DC.cc_shvt.6	Idac_1p5a	Source current for 1.5 A at 5 V advertisement	165.6	–	194.4		–
SID.DC.cc_shvt.7	Idac_3a	Source current for 3 A at 5 V advertisement	303.6	–	356.4		–
SID.DC.cc_shvt.8	Rd	Pull-down termination resistance when acting as UFP	4.59	–	5.61	kΩ	–
SID.DC.cc_shvt.9	Rd_db	Pull-down termination resistance when acting as UFP, with dead battery	4.08	–	6.12		–
SID.DC.cc_shvt.10	zOPEN	CC impedance to ground when disabled	108	–			–
SID.DC.cc_shvt.11	DFP_default_0p2	CC voltages on DFP side-Standard USB	0.15	–	0.25	V	–
SID.DC.cc_shvt.12	DFP_1.5A_0p4	CC voltages on DFP side-1.5 A	0.35	–	0.45		–
SID.DC.cc_shvt.13	DFP_3A_0p8	CC voltages on DFP side-3 A	0.75	–	0.85		–
SID.DC.cc_shvt.14	DFP_3A_2p6	CC voltages on DFP side-3 A	2.45	–	2.75		–
SID.DC.cc_shvt.15	UFP_default_0p66	CC voltages on UFP side-Standard USB	0.61	–	0.7		–
SID.DC.cc_shvt.16	UFP_1.5A_1p23	CC voltages on UFP side-1.5 A	1.16	–	1.31		–
SID.DC.cc_shvt.17	Vattach_ds	Deep Sleep attach threshold	0.3	–	0.6	%	–
SID.DC.cc_shvt.18	Rattach_ds	Deep Sleep pull-up resistor	10	–	50	kΩ	–
SID.DC.cc_shvt.30	FS_0p53	Voltage threshold for Fast Swap Detect	0.49	–	0.58	V	–

Analog to Digital Converter

**Table 27. ADC DC Specifications**

Spec ID	Parameter	Description	Min	Typ	Max	Unit	Details/Conditions
SID.ADC.1	Resolution	ADC resolution	–	8	–	Bits	–
SID.ADC.2	INL	Integral nonlinearity	–1.5	–	1.5	LSB	–
SID.ADC.3	DNL	Differential nonlinearity	–2.5	–	2.5		–
SID.ADC.4	Gain Error	Gain error	–1.5	–	1.5		–
SID.ADC.5	VREF_ADC1	Reference voltage of ADC	V <sub>DDmin</sub>	–	V <sub>DDmax</sub>	V	Reference voltage generated from V <sub>DD</sub>
SID.ADC.6	VREF_ADC2	Reference voltage of ADC	1.96	2.0	2.04		Reference voltage generated from bandgap

*Charger Detect*
**Table 28. Charger Detect Specifications**

Spec ID	Parameter	Description	Min	Typ	Max	Unit	Details/Conditions
DC.CHGDET.1	V <sub>DAT_REF</sub>	Data detect voltage in charger detect mode	250	–	400	mV	–
DC.CHGDET.2	V <sub>DM_SRC</sub>	DM voltage source in charger detect mode	500	–	700		–
DC.CHGDET.3	V <sub>DP_SRC</sub>	DP voltage source in charger detect mode	500	–	700		–
DC.CHGDET.4	I <sub>DM_SINK</sub>	DM sink current in charger detect mode	25	–	175	μA	–
DC.CHGDET.5	I <sub>DP_SINK</sub>	DP sink current in charger detect mode	25	–	175		–
DC.CHGDET.6	I <sub>DP_SRC</sub>	Data contact detect current source	7	–	13		–
DC.CHGDET.32	R <sub>DM_UP</sub>	DP/DM pull-up resistance	0.9	–	1.575	kΩ	–
DC.CHGDET.31	R <sub>DM_DWN</sub>	DP/DM pull-down resistance	14.25	–	24.8		–
DC.CHGDET.29	R <sub>DAT_LKG</sub>	Data line leakage on DP/DM	300	–	500		–
DC.CHGDET.34	V <sub>SETH</sub>	Logic Threshold	1.26	–	1.54	V	–

*V<sub>BUS</sub> Regulator*
**Table 29. V<sub>BUS</sub> Regulator AC Specifications**

Spec ID	Parameter	Description	Min	Typ	Max	Unit	Details/Conditions
SID.AC.20VREG.1	T <sub>START</sub>	Total start up time for the regulator supply output	–	–	120	μs	Apply V <sub>BUS</sub> and measure start time on V <sub>DDD</sub> pin
SID.AC.20VREG.2	T <sub>STOP</sub>	Regulator power down time from vreg_en = 0	–	–	1		Time from assertion of an internal disable signal to load current to decrease from 30 mA to 10 μA

*V<sub>SYS</sub> Switch*
**Table 30. V<sub>SYS</sub> Switch Specifications**

Spec ID	Parameter	Description	Min	Typ	Max	Unit	Details/Conditions
SID.DC.VDDDSW.1	Res_sw	Resistance from supply input to output supply V <sub>DDD</sub>	–	–	1.5	Ω	Measured with a load current of 5 mA to 10 mA on V <sub>DDD</sub>

CSA

**Table 31. CSA DC Specifications**

Spec ID	Parameter	Description	Min	Typ	Max	Unit	Details/Conditions
OP.CSA_SCP.11	Rsense	External sense register	–	10	–	mΩ	1% accuracy
DC.CSA_SCP.44	locp_1A	OCP Trip threshold for 1A	–	±10	–	%	1A PD contracts OCP set at 130% of contract value or user programmable
DC.CSA_SCP.45	locp_5A	OCP Trip threshold for 2A, 3A, 4A and 5A contracts	–	±10	–	%	2A, 3A, 4A, and 5A PD contracts OCP set at 130% of contract value OR user programmable
DC.rcp_scp.7a	I_csainn_lk	CSP pin input leakage when CSA block is OFF	–	–	10	μA	For provider VBUS = 5 V
DC.rcp_scp.6a	I_csainp_lk	CSN pin input leakage when CSA block is OFF	–	–	80		
DC.sys.3	I_CSP_CSA_ON	CSP pin current when CSA is ON	–	–	30		
DC.sys.4	I_CSN_CSA_ON	CSN pin current when CSA is ON.	–	–	100		

$V_{BUS}$  UV/OV

**Table 32.  $V_{BUS}$  UV/OV Specifications**

Spec ID	Parameter	Description	Min	Typ	Max	Unit	Details/Conditions
SID.UVOV.1	$V_{THUVOV1}$	Voltage threshold accuracy in Active mode using bandgap reference	–	±3	–	%	–
SID.UVOV.2	$V_{THUVOV2}$	Voltage threshold accuracy in Deep Sleep mode using Deep Sleep reference	–	±5	–		
SID.COMP_ACC	COMP_ACC	Comparator input offset at 4 s	–15	–	15	mV	

Consumer and Provider Side PFET Gate Driver

**Table 33. Consumer and Provider Side PFET Gate Driver DC Specifications**

Spec ID	Parameter	Description	Min	Typ	Max	Unit	Details/Conditions
SID.DC.PGDO.1	Rpd	Resistance when “pull_dn” enabled	–	–	5	kΩ	–

**Table 34. Consumer and Provider Side PFET Gate Driver AC Specifications**

Spec ID	Parameter	Description	Min	Typ	Max	Unit	Details/Conditions
SID.AC.PGDO.2	Tr_discharge	Discharge rate of output node	–	–	5	V/μs	Guaranteed by design

*SBU Switch*
**Table 35. SBU Switch DC Specifications**

Spec ID	Parameter	Description	Min	Typ	Max	Unit	Details/Conditions
SID.DC.20sbu.1	Ron1	On resistances for Aux switch at 3.3-V input	–	4	7	Ω	–
SID.DC.20sbu.2	Ron2	On resistances for Aux switch at 1-V input	–	3	5		–
SID.DC.20sbu.4	Ileak1	Pin leakage current for SBU1, SBU2	–4.5	–	4.5	μA	–
SID.DC.20sbu.5	Ileak2	Pin leakage current for LSTX, LSRX, AUX_P, AUX_N	–1	–	1		–
SID.DC.20sbu.6	Rpu_aux_1	Pull-up resistance on AUX_P/N	80	–	320	KΩ	–
SID.DC.20sbu.7	Rpu_aux_2	Pull-up resistance on AUX_P/N	0.8	–	1.4	MΩ	–
SID.DC.20sbu.8	Rpd_aux_1	Pull-down resistance on AUX_P/N	80	–	120	KΩ	–
SID.DC.20sbu.9	Rpd_aux_2	Pull-down resistance on AUX_P/N	0.3	–	1.2	MΩ	–
SID.DC.20sbu.10	Rpd_aux_3	Pull-down resistance on AUX_P/N	250	–	611	KΩ	–
SID.DC.20sbu.11	Rpd_aux_4	Pull-down resistance on AUX_P/N	0.3	–	6.11	MΩ	–
SID.DC.20sbu.16	OVP_threshold	Over-voltage protection detection threshold above V <sub>DDIO</sub>	200	–	1200	mV	–
SID.DC.20sbu.17	Isx_ron_3p3	On resistances of LSTX/LSRX to SBU1/2 switch at 3.3-V input	–	8.5	17	Ω	–
SID.DC.20sbu.18	Isx_ron_1	On resistances of LSTX/LSRX to SBU1/2 switch at 1-V input	–	5.5	11		–
SID.DC.20sbu.19	aux_ron_flat_fs	Switch On flat resistances of AUX_P/N to SBU1/2 switch (from 0 to 3.3 V)	–	–	2.5		Guaranteed by design
SID.DC.20sbu.20	aux_ron_flat_hs	Switch On flat resistances of AUX_P/N to SBU1/2 switch (from 0 to 1 V)	–	–	0.5		
SID.DC.20sbu.21	Isx_ron_flat_fs	Switch On flat resistances of LSTX/LSRX to SBU1/2 switch (from 0 to 3.3 V)	–	–	5		
SID.DC.20sbu.22	Isx_ron_flat_hs	Switch On flat resistances of LSTX/LSRX to SBU1/2 switch (from 0 to 1 V)	–	–	0.5		

**Table 36. SBU Switch AC Specifications**

Spec ID	Parameter	Description	Min	Typ	Max	Unit	Details/Conditions
SID.AC.20sbu.1	Con	Switch On capacitance	–	–	120	pF	–
SID.AC.20sbu.2	Coff	Switch Off capacitance - Connector side	–	–	80		–
SID.AC.20sbu.3	Off_isolation	Switch isolation at F=1 MHz	–50	–		dB	–
SID.AC.20sbu.4	T <sub>ON</sub>	SBU Switch turn-on time	–	–	200	μs	–
SID.AC.20sbu.5	T <sub>OFF</sub>	SBU Switch turn-off time	–	–	400		–
SID.AC.20sbu.6	Off_isolation_tran	Coupling on SBU1, 2 terminated to 50 ohm, switch-OFF, Rail-to-rail toggling on LSTX/LSRX	–60	–	60	mV	Guaranteed by design
SID.AC.20sbu.7	X_talk_AC	Crosstalk of switch at F=1 MHz SBU1/2 to SBU2/1	–50	–	–	dB	
SID.AC.20sbu.8	X_talk_tran	Check voltage coupling on SBU2(1) when Data is transferred from LSTX (RX) to SBU1 (2)	–70	–	70	mV	



*DP/DM Switch*
**Table 37. DP/DM Switch DC Specifications (Charger Detect Block is Disconnected from DPLUS\_TOP, DMINUS\_TOP, DPLUS\_BOT, and DMINUS\_BOT through Switch)**

Spec ID	Parameter	Description	Min	Typ	Max	Unit	Details/Conditions
SID.DC.dpdm.1	RON_HS	DPDM On resistance (0 to 0.5 V) - HS mode	–	–	8	Ω	–
SID.DC.dpdm.2	RON_FS	DPDM On resistance (0 to 3.3 V) - FS mode	–	–	12		–
SID.DC.dpdm.5	Con_FS	Switch On capacitance at 6 MHz - FS mode	–	–	50	pF	Guaranteed by design
SID.DC.dpdm.6	Con_HS	Switch on capacitance at 240 MHz - HS mode	–	–	10		–
SID.DC.dpdm.9	ileak_pin	Pin leakage at DP/DM connector side and Host side	–	–	1	μA	–
SID.DC.dpdm.10	RON_UART	DPDM On resistance for UART lines (0 to 3.3 V)	–	–	17	Ω	–
SID.DC.dpdm.11	RON_FLAT_HS	DPDM On Flat resistance in HS mode (0 to 0.4 V)	–	–	0.5		Guaranteed by design
SID.DC.dpdm.12	RON_FLAT_FS	DPDM On flat resistance in FS mode (0 to 3.3 V)	–	–	4		
SID.DC.dpdm.13	RON_FLAT_UART	DPDM UART On Flat resistance (0 to 3.3 V)	–	–	4		

**Table 38. DP/DM Switch AC Specifications (Charger Detect Block is Disconnected from DPLUS\_TOP, DMINUS\_TOP, DPLUS\_BOT, and DMINUS\_BOT through Switch)**

Spec ID	Parameter	Description	Min	Typ	Max	Unit	Details/Conditions
SID.AC.dpdm.5	T <sub>ON</sub>	DP/DM Switch turn-on time	–	–	200	μs	–
SID.AC.dpdm.6	T <sub>OFF</sub>	DP/DM Switch turn-off time	–	–	0.4		Guaranteed by design
SID.AC.dpdm.7	T <sub>ON_VPUMP</sub>	DP/DM charge pump startup time	–	–	200		
SID.AC.dpdm.8	Off_isolation_HS	Switch-off isolation for HS	–20	–	–	db	
SID.AC.dpdm.9	Off_isolation_FS	Switch-off isolation for FS	–50	–	–		
SID.AC.dpdm.10	X_talk	Crosstalk of Switch from FS to HS at F = 12 MHz	–50	–	–		
SID.AC.dpdm.11	uart_coupling	Peak-to-peak coupling of UART signal to DP lines (UART signal 0 to 3.3 V)	–	–	20	mV	

*VCONN Switch*
**Table 39. VCONN Switch DC Specifications**

Spec ID	Parameter	Description	Min	Typ	Max	Unit	Details/Conditions
SID.DC.20VCONN.1	R <sub>on</sub>	Switch ON resistance at V5V = 5 V with 215-mA load current	–	0.7	1.3	Ω	–
SID.DC.20VCONN.9	I <sub>OCP</sub>	Overcurrent detection range for CC1/CC2	550	–	–	mA	–
SID.DC.20VCONN.10	OVP_threshold	Overvoltage detection threshold above V <sub>DDD</sub> or V5V, whichever is higher	200	–	1200	mV	–
SID.DC.20VCONN.11	OVP_hysteresis	Overvoltage detection hysteresis	50	–	200		Guaranteed by design
SID.DC.20VCONN.12	OCP_hysteresis	Overcurrent detection hysteresis	20	–	60	mA	–
SID.DC.20VCONN.14	OVP_threshold_on	Overvoltage detection threshold above V5V of CC1/2, with CC1 or CC2 switch enabled.	200	–	700	mV	–

**Table 40. VCONN Switch AC Specifications**

Spec ID	Parameter	Description	Min	Typ	Max	Unit	Details/Conditions
SID.AC.20VCONN.1	T <sub>ON</sub>	VCONN switch turn-on time	–	–	200	μs	–
SID.AC.20VCONN.2	T <sub>OFF</sub>	VCONN switch turn-off time	–	–	3		Guaranteed by design

*V<sub>BUS</sub>*
**Table 41. V<sub>BUS</sub> Discharge Specifications**

Spec ID	Parameter	Description	Min	Typ	Max	Unit	Details/Conditions
SID.VBUS.DISC.1	R <sub>on1</sub>	20-V NMOS ON resistance	1500	–	3000	Ω	–
SID.VBUS.DISC.2	R <sub>on2</sub>	20-V NMOS ON resistance	750	–	1500		–
SID.VBUS.DISC.3	R <sub>on3</sub>	20-V NMOS ON resistance	500	–	1000		–
SID.VBUS.DISC.4	R <sub>on4</sub>	20-V NMOS ON resistance	375	–	750		–
SID.VBUS.DISC.5	R <sub>on5</sub>	20-V NMOS ON resistance	300	–	600		–

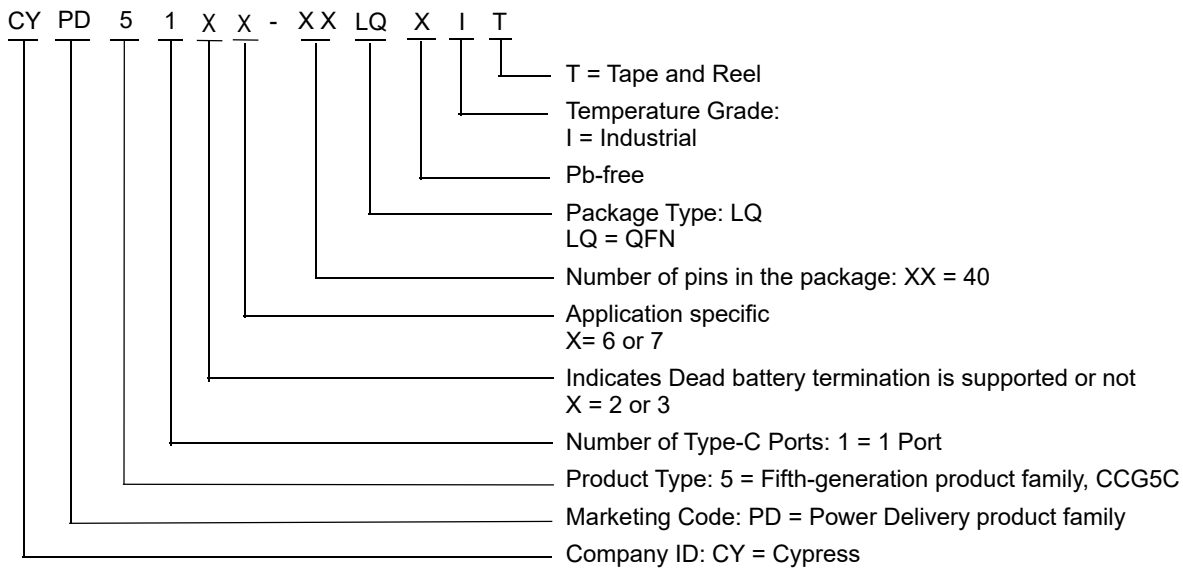
## Ordering Information

Table 42 lists the EZ-PD CCG5C part numbers and features.

**Table 42. EZ-PD CCG5C Ordering Information**

Part Number	Application	Type-C Ports	Dead Battery Termination	Termination Resistor	Role	Package
CYPD5126-40LQXIT	Notebooks, Desktops	1	Yes	Rp <sup>[5]</sup> , Rd <sup>[6]</sup>	DRP	40-pin QFN
CYPD5137-40LQXIT	Dock	1	No			

### Ordering Code Definitions



#### Notes

5. Termination resistor denoting a downstream facing port.
6. Termination resistor denoting an accessory or upstream facing port.

## Packaging

**Table 43. Package Characteristics**

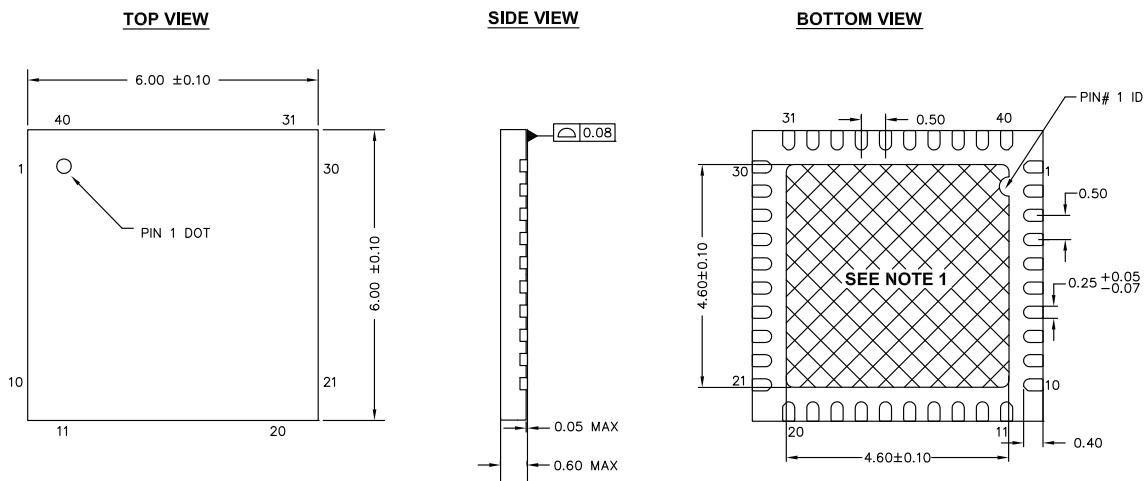
Parameter	Description	Conditions	Min	Typ	Max	Unit
T <sub>A</sub>	Operating ambient temperature	Industrial	-40	25	85	°C
T <sub>J</sub>	Operating junction temperature		-40	25	100	
T <sub>JA</sub>	Package θ <sub>JA</sub> (40-pin QFN)	-	-	-	19.3	°C/W
T <sub>JC</sub>	Package θ <sub>JC</sub> (40-pin QFN)	-	-	-	13.6	

**Table 44. Solder Reflow Peak Temperature**

Package	Maximum Peak Temperature	Maximum Time within 5 °C of Peak Temperature
40-pin QFN	260 °C	30 seconds

**Table 45. Package Moisture Sensitivity Level (MSL), IPC/JEDEC J-STD-2**

Package	MSL
40-pin QFN	MSL 3

**Figure 7. 40-Pin QFN (6 × 6 × 0.5 mm), LR40A/LQ40A 4.6 × 4.6 E-PAD (Sawn) Package Outline, 001-80659**

**NOTES:**

1. HATCH AREA IS SOLDERABLE EXPOSED PAD
2. REFERENCE JEDEC # MO-248
3. PACKAGE WEIGHT: 68 ± 2 mg
4. ALL DIMENSIONS ARE IN MILLIMETERS

001-80659 \*A

## Acronyms

**Table 46. Acronyms Used in this Document**

Acronym	Description
ADC	analog-to-digital converter
API	application programming interface
Arm®	advanced RISC machine, a CPU architecture
CC	configuration channel
BOD	Brown out Detect
CPU	central processing unit
CRC	cyclic redundancy check, an error-checking protocol
CS	current sense
DB	dead battery
DFP	downstream facing port
DIO	digital input/output, GPIO with only digital capabilities, no analog. See GPIO.
DP	DisplayPort, digital display interface developed by Video Electronics Standards Association.
DRP	dual-role power
EEPROM	electrically erasable programmable read-only memory
EMCA	a USB cable that includes an IC that reports cable characteristics (e.g., current rating) to the Type-C ports
EMI	electromagnetic interference
ESD	electrostatic discharge
FPB	flash patch and breakpoint
FS	full-speed
GPIO	general-purpose input/output
IC	integrated circuit
IDE	integrated development environment
I <sup>2</sup> C, or IIC	Inter-Integrated Circuit, a communications protocol
ILO	internal low-speed oscillator, see also IMO
IMO	internal main oscillator, see also ILO
I/O	input/output, see also GPIO
LVD	low-voltage detect
LVTTTL	low-voltage transistor-transistor logic
MCU	microcontroller unit
NC	no connect
NMI	nonmaskable interrupt

**Table 46. Acronyms Used in this Document (continued)**

Acronym	Description
NVIC	nested vectored interrupt controller
opamp	operational amplifier
OCP	overcurrent protection
OVP	overvoltage protection
PCB	printed circuit board
PD	power delivery
PGA	programmable gain amplifier
PHY	physical layer
POR	power-on reset
PRES	precise power-on reset
PSoC®	Programmable System-on-Chip™
PWM	pulse-width modulator
RAM	random-access memory
RISC	reduced-instruction-set computing
RMS	root-mean-square
RTC	real-time clock
RX	receive
SAR	successive approximation register
SCL	I <sup>2</sup> C serial clock
SDA	I <sup>2</sup> C serial data
S/H	sample and hold
SPI	Serial Peripheral Interface, a communications protocol
SRAM	static random access memory
SWD	serial wire debug, a test protocol
TBT	Thunderbolt, hardware interface standard for peripherals developed by Intel.
TX	transmit
Type-C	a new standard with a slimmer USB connector and a reversible cable, capable of sourcing up to 100 W of power
UART	Universal Asynchronous Transmitter Receiver, a communications protocol
USB	Universal Serial Bus
USBIO	USB input/output, CCG5C pins used to connect to a USB port
XRES	external reset I/O pin

## Document Conventions

### Units of Measure

Table 47. Units of Measure

Symbol	Unit of Measure
°C	degrees Celsius
Hz	hertz
KB	1024 bytes
kHz	kilohertz
kΩ	kilo ohm
Mbps	megabits per second
MHz	megahertz
MΩ	mega-ohm
Msp	megasamples per second
μA	microampere
μF	microfarad
μs	microsecond
μV	microvolt
μW	microwatt
mA	milliampere
ms	millisecond
mV	millivolt
nA	nanoampere
ns	nanosecond
Ω	ohm
pF	picofarad
ppm	parts per million
ps	picosecond
s	second
sps	samples per second
V	volt

## References and Links to Applications Collateral

### Knowledge Base Articles

- Key Differences Among EZ-PD™ CCG1, CCG2, CCG3 and CCG5 - KBA210740
- Programming EZ-PD™ CCG2, EZ-PD™ CCG3 and EZ-PD™ CCG5 Using PSoC® Programmer and MiniProg3 - KBA96477
- CCGX Frequently Asked Questions (FAQs) - KBA97244
- Handling Precautions for CY4501 CCG1 DVK - KBA210560
- Cypress EZ-PD™ CCGx Hardware - KBA204102
- Difference between USB Type-C and USB-PD - KBA204033
- CCGx Programming Methods - KBA97271
- Getting started with Cypress USB Type-C Products - KBA04071
- Type-C to DisplayPort Cable Electrical Requirements
- Dead Battery Charging Implementation in USB Type-C Solutions - KBA97273
- Termination Resistors Required for the USB Type-C Connector – KBA97180
- VBUS Bypass Capacitor Recommendation for Type-C Cable and Type-C to Legacy Cable/Adapter Assemblies – KBA97270
- Need for Regulator and Auxiliary Switch in Type-C to DisplayPort (DP) Cable Solution - KBA97274
- Need for a USB Billboard Device in Type-C Solutions – KBA97146
- CCG1 Devices in Type-C to Legacy Cable/Adapter Assemblies – KBA97145
- Cypress USB Type-C Controller Supported Solutions – KBA97179
- Termination Resistors for Type-C to Legacy Ports – KBA97272
- Handling Instructions for CY4502 CCG2 Development Kit – KBA97916
- Thunderbolt™ Cable Application Using CCG3 Devices - KBA210976
- Power Adapter Application Using CCG3 Devices - KBA210975
- Methods to Upgrade Firmware on CCG3 Devices - KBA210974
- Device Flash Memory Size and Advantages - KBA210973
- Applications of EZ-PD™ CCG5 - KBA210739

### Application Notes

- AN96527 - Designing USB Type-C Products Using Cypress's CCG1 Controllers
- AN95615 - Designing USB 3.1 Type-C Cables Using EZ-PD™ CCG2
- AN95599 - Hardware Design Guidelines for EZ-PD™ CCG2
- AN210403 - Hardware Design Guidelines for Dual Role Port Applications Using EZ-PD™ USB Type-C Controllers
- AN210771 - Getting Started with EZ-PD™ CCG4

### Reference Designs

- EZ-PD™ CCG2 Electronically Marked Cable Assembly (EMCA) Paddle Card Reference Design
- EZ-PD™ CCG2 USB Type-C to DisplayPort Cable Solution
- CCG1 USB Type-C to DisplayPort Cable Solution
- CCG1 USB Type-C to HDMI/DVI/VGA Adapter Solution
- EZ-PD™ CCG2 USB Type-C to HDMI Adapter Solution
- CCG1 Electronically Marked Cable Assembly (EMCA) Paddle Card Reference Design
- CCG1 USB Type-C to Legacy USB Device Cable Paddle Card Reference Schematics
- EZ-USB GX3 USB Type-C to Gigabit Ethernet Dongle
- EZ-PD™ CCG2 USB Type-C Monitor/Dock Solution
- CCG2 20W Power Adapter Reference Design
- CCG2 18W Power Adapter Reference Design
- EZ-USB GX3 USB Type-A to Gigabit Ethernet Reference Design Kit

### Kits

- CY4501 CCG1 Development Kit
- CY4502 EZ-PD™ CCG2 Development Kit
- CY4531 EZ-PD CCG3 Evaluation Kit
- CY4541 EZ-PD™ CCG4 Evaluation Kit

### Datasheets

- CCG1 Datasheet: USB Type-C Port Controller with Power Delivery
- CYPD1120 Datasheet: USB Power Delivery Alternate Mode Controller on Type-C
- CCG2: USB Type-C Port Controller Datasheet
- CCG3: USB Type-C Controller Datasheet
- CCG5: USB Type-C Controller Datasheet

**Document History Page**

Document Title: EZ-PD™ CCG5C, USB Type-C Port Controller Document Number: 002-23803				
Revision	ECN	Orig. of Change	Submission Date	Description of Change
**	6164669	SUDH	05/17/2018	New data sheet.
*A	6271142	SUDH	08/02/2018	<p>Changed status from Advance to Preliminary.</p> <p>Updated <a href="#">General Description</a> (description).</p> <p>Updated <a href="#">Features</a>:</p> <p>Updated <a href="#">USB-PD</a> (description).</p> <p>Updated <a href="#">Power System Overview</a> (description).</p> <p>Updated <a href="#">Pinouts</a>:</p> <p>Updated <a href="#">Table 3</a>: updated description for pin 31.</p> <p>Updated <a href="#">Application Diagram</a>:</p> <p>Updated <a href="#">Figure 6</a>.</p> <p>Updated <a href="#">Electrical Specifications</a>:</p> <p>Updated <a href="#">Absolute Maximum Ratings</a>:</p> <p>Updated <a href="#">Table 8</a>: Added ESD_HBM_SBU parameter and its details.</p> <p>Updated <a href="#">System Resources</a>:</p> <p>Updated <a href="#">VCONN Switch</a>:</p> <p>Updated <a href="#">Table 39</a>: Updated details in "Max" column for I<sub>OCP</sub> parameter.</p>
*B	6352555	SUDH	11/14/2018	<p>Changed status from Preliminary to Final.</p> <p>Updated <a href="#">Features</a>:</p> <p>Removed "Type-C and USB-PD Support".</p> <p>Added <a href="#">USB-PD</a>.</p> <p>Added <a href="#">Type-C</a>.</p> <p>Added <a href="#">Legacy Charging</a>.</p> <p>Added <a href="#">Protection</a>.</p> <p>Added <a href="#">Mux</a>.</p> <p>Added <a href="#">LDO</a>.</p> <p>Added <a href="#">CSA</a>.</p> <p>Added <a href="#">PFET Gate Drivers</a>.</p> <p>Removed "Low-Power Operation".</p> <p>Added <a href="#">Operating Range</a>.</p> <p>Updated <a href="#">Packages</a> (description).</p> <p>Updated <a href="#">Functional Overview</a>:</p> <p>Updated <a href="#">USB-PD Subsystem (SS)</a>:</p> <p>Updated <a href="#">USB-PD Physical Layer</a>:</p> <p>Updated <a href="#">Figure 1</a>.</p> <p>Updated <a href="#">USB 2.0 Mux</a>:</p> <p>Updated <a href="#">Figure 3</a>.</p> <p>Updated <a href="#">Power System Overview</a>:</p> <p>Updated <a href="#">Peripherals</a>:</p> <p>Added <a href="#">Table 2</a>.</p> <p>Updated <a href="#">Pinouts</a>:</p> <p>Updated <a href="#">Figure 5</a>.</p> <p>Updated <a href="#">Application Diagram</a>:</p> <p>Updated <a href="#">Figure 6</a>.</p>



**Document History Page** *(continued)*

Document Title: EZ-PD™ CCG5C, USB Type-C Port Controller Document Number: 002-23803				
Revision	ECN	Orig. of Change	Submission Date	Description of Change
*B (cont.)	6352555	SUDH	11/14/2018	<p>Updated <a href="#">Electrical Specifications</a>:</p> <p>Updated <a href="#">Device-Level Specifications</a>:</p> <p>Updated <a href="#">Table 9</a> (Changed maximum value of <math>V_{DD}</math> parameter from 3.6 V to 3.65 V corresponding to spec ID SID.PWR#1_A).</p> <p>Updated <a href="#">GPIO</a>:</p> <p>Updated <a href="#">Table 11</a> (Added <math>V_{OL\_I2C\_2}</math>, <math>V_{OL\_I2C\_3}</math>, <math>V_{OL1\_20mA}</math> parameters and their details).</p> <p>Updated <a href="#">System Resources</a>:</p> <p>Updated <a href="#">Power-on-Reset (POR) with Brown Out</a>:</p> <p>Updated <a href="#">Table 21</a> (Updated table title only).</p> <p>Updated <a href="#">Table 22</a> (Updated table title only).</p> <p>Updated <a href="#">CSA</a>:</p> <p>Updated <a href="#">Table 31</a> (Updated entire table).</p> <p>Updated <a href="#">DP/DM Switch</a>:</p> <p>Updated <a href="#">Table 37</a> (Updated table title only).</p> <p>Updated <a href="#">Table 38</a> (Updated table title only).</p> <p>Updated <a href="#">VCONN Switch</a>:</p> <p>Updated <a href="#">Table 39</a> (Updated details in “Description” column corresponding to “OVP_threshold_on” parameter).</p> <p>Updated <a href="#">Ordering Information</a>:</p> <p>Updated <a href="#">Table 42</a> (Updated part numbers and updated details in “Termination Resistor” column).</p> <p>Removed Note “Termination resistor denoting dead-battery termination.” and its reference.</p> <p>Updated <a href="#">Ordering Code Definitions</a>.</p> <p>Updated <a href="#">Acronyms</a>:</p> <p>Added “DP” and “TBT”.</p> <p>Updated <a href="#">References and Links to Applications Collateral</a>:</p> <p>Updated <a href="#">Datasheets</a>:</p> <p>Added “CCG5”.</p>
*C	6396028	SUDH	11/28/2018	<p>Updated <a href="#">CSA DC Specifications</a>.</p> <p>Updated conditions for <math>V_{OL\_I2C\_3}</math>.</p>
*D	6474710	SUDH	02/18/2019	<p>Updated <a href="#">Features</a> and <a href="#">USB 2.0 Mux</a>.</p> <p>Updated <a href="#">Figure 6</a>.</p> <p>Updated Copyright information.</p>

## Sales, Solutions, and Legal Information

### Worldwide Sales and Design Support

Cypress maintains a worldwide network of offices, solution centers, manufacturer's representatives, and distributors. To find the office closest to you, visit us at [Cypress Locations](#).

#### Products

Arm® Cortex® Microcontrollers	<a href="http://cypress.com/arm">cypress.com/arm</a>
Automotive	<a href="http://cypress.com/automotive">cypress.com/automotive</a>
Clocks & Buffers	<a href="http://cypress.com/clocks">cypress.com/clocks</a>
Interface	<a href="http://cypress.com/interface">cypress.com/interface</a>
Internet of Things	<a href="http://cypress.com/iot">cypress.com/iot</a>
Memory	<a href="http://cypress.com/memory">cypress.com/memory</a>
Microcontrollers	<a href="http://cypress.com/mcu">cypress.com/mcu</a>
PSoC	<a href="http://cypress.com/psoc">cypress.com/psoc</a>
Power Management ICs	<a href="http://cypress.com/pmic">cypress.com/pmic</a>
Touch Sensing	<a href="http://cypress.com/touch">cypress.com/touch</a>
USB Controllers	<a href="http://cypress.com/usb">cypress.com/usb</a>
Wireless Connectivity	<a href="http://cypress.com/wireless">cypress.com/wireless</a>

#### PSoC® Solutions

[PSoC 1](#) | [PSoC 3](#) | [PSoC 4](#) | [PSoC 5LP](#) | [PSoC 6 MCU](#)

#### Cypress Developer Community

[Community](#) | [Projects](#) | [Video](#) | [Blogs](#) | [Training](#) | [Components](#)

#### Technical Support

[cypress.com/support](http://cypress.com/support)

Notice regarding compliance with Universal Serial Bus specification. Cypress offers firmware and hardware solutions that are certified to comply with the Universal Serial Bus specification, USB Type-C™ Cable and Connector Specification, and other specifications of USB Implementers Forum, Inc (USB-IF). You may use Cypress or third party software tools, including sample code, to modify the firmware for Cypress USB products. Modification of such firmware could cause the firmware/hardware combination to no longer comply with the relevant USB-IF specification. You are solely responsible ensuring the compliance of any modifications you make, and you must follow the compliance requirements of USB-IF before using any USB-IF trademarks or logos in connection with any modifications you make. In addition, if Cypress modifies firmware based on your specifications, then you are responsible for ensuring compliance with any desired standard or specifications as if you had made the modification. CYPRESS IS NOT RESPONSIBLE IN THE EVENT THAT YOU MODIFY OR HAVE MODIFIED A CERTIFIED CYPRESS PRODUCT AND SUCH MODIFIED PRODUCT NO LONGER COMPLIES WITH THE RELEVANT USB-IF SPECIFICATIONS.

© Cypress Semiconductor Corporation, 2018-2019. This document is the property of Cypress Semiconductor Corporation and its subsidiaries ("Cypress"). This document, including any software or firmware included or referenced in this document ("Software"), is owned by Cypress under the intellectual property laws and treaties of the United States and other countries worldwide. Cypress reserves all rights under such laws and treaties and does not, except as specifically stated in this paragraph, grant any license under its patents, copyrights, trademarks, or other intellectual property rights. If the Software is not accompanied by a license agreement and you do not otherwise have a written agreement with Cypress governing the use of the Software, then Cypress hereby grants you a personal, non-exclusive, nontransferable license (without the right to sublicense) (1) under its copyright rights in the Software (a) for Software provided in source code form, to modify and reproduce the Software solely for use with Cypress hardware products, only internally within your organization, and (b) to distribute the Software in binary code form externally to end users (either directly or indirectly through resellers and distributors), solely for use on Cypress hardware product units, and (2) under those claims of Cypress's patents that are infringed by the Software (as provided by Cypress, unmodified) to make, use, distribute, and import the Software solely for use with Cypress hardware products. Any other use, reproduction, modification, translation, or compilation of the Software is prohibited.

TO THE EXTENT PERMITTED BY APPLICABLE LAW, CYPRESS MAKES NO WARRANTY OF ANY KIND, EXPRESS OR IMPLIED, WITH REGARD TO THIS DOCUMENT OR ANY SOFTWARE OR ACCOMPANYING HARDWARE, INCLUDING, BUT NOT LIMITED TO, THE IMPLIED WARRANTIES OF MERCHANTABILITY AND FITNESS FOR A PARTICULAR PURPOSE. No computing device can be absolutely secure. Therefore, despite security measures implemented in Cypress hardware or software products, Cypress shall have no liability arising out of any security breach, such as unauthorized access to or use of a Cypress product. CYPRESS DOES NOT REPRESENT, WARRANT, OR GUARANTEE THAT CYPRESS PRODUCTS, OR SYSTEMS CREATED USING CYPRESS PRODUCTS, WILL BE FREE FROM CORRUPTION, ATTACK, VIRUSES, INTERFERENCE, HACKING, DATA LOSS OR THEFT, OR OTHER SECURITY INTRUSION (collectively, "Security Breach"). Cypress disclaims any liability relating to any Security Breach, and you shall and hereby do release Cypress from any claim, damage, or other liability arising from any Security Breach. In addition, the products described in these materials may contain design defects or errors known as errata which may cause the product to deviate from published specifications. To the extent permitted by applicable law, Cypress reserves the right to make changes to this document without further notice. Cypress does not assume any liability arising out of the application or use of any product or circuit described in this document. Any information provided in this document, including any sample design information or programming code, is provided only for reference purposes. It is the responsibility of the user of this document to properly design, program, and test the functionality and safety of any application made of this information and any resulting product. "High-Risk Device" means any device or system whose failure could cause personal injury, death, or property damage. Examples of High-Risk Devices are weapons, nuclear installations, surgical implants, and other medical devices. "Critical Component" means any component of a High-Risk Device whose failure to perform can be reasonably expected to cause, directly or indirectly, the failure of the High-Risk Device, or to affect its safety or effectiveness. Cypress is not liable, in whole or in part, and you shall and hereby do release Cypress from any claim, damage, or other liability arising from any use of a Cypress product as a Critical Component in a High-Risk Device. You shall indemnify and hold Cypress, its directors, officers, employees, agents, affiliates, distributors, and assigns harmless from and against all claims, costs, damages, and expenses, arising out of any claim, including claims for product liability, personal injury or death, or property damage arising from any use of a Cypress product as a Critical Component in a High-Risk Device. Cypress products are not intended or authorized for use as a Critical Component in any High-Risk Device except to the limited extent that (i) Cypress's published data sheet for the product explicitly states Cypress has qualified the product for use in a specific High-Risk Device, or (ii) Cypress has given you advance written authorization to use the product as a Critical Component in the specific High-Risk Device and you have signed a separate indemnification agreement.

Cypress, the Cypress logo, Spansion, the Spansion logo, and combinations thereof, WICED, PSoC, CapSense, EZ-USB, F-RAM, and Traveo are trademarks or registered trademarks of Cypress in the United States and other countries. For a more complete list of Cypress trademarks, visit [cypress.com](http://cypress.com). Other names and brands may be claimed as property of their respective owners.

## X-ON Electronics

Largest Supplier of Electrical and Electronic Components

*Click to view similar products for [USB Interface IC](#) category:*

*Click to view products by [Infineon](#) manufacturer:*

Other Similar products are found below :

[CY7C69356-48LTXC](#) [CYUSB2304-68LTXI](#) [USB2227-NU-11](#) [USB2251-NU-06](#) [CG7648AM](#) [CYPD2120-24LQXI](#) [CYUSB3014-BZXCT](#)  
[CYWB0164BB-BZXI](#) [CYWB0224ABS-BZXI](#) [LIF-UC120-SWG36ITR50](#) [UPD360-C/6HX](#) [CP2102NP1174GM](#) [CG8454AM](#)  
[DPO2039DABQ-13](#) [USB7216C-I/KDX](#) [UPD720211K8-711-BAL-A](#) [CYPM1111-40LQXI](#) [CY7C68034-56LTXC](#) [TUSB213IRGYT](#)  
[TUSB213RGYT](#) [TUSB214RWBT](#) [TUSB215RGYT](#) [USB2517I-JZX-TR](#) [USB3318-CP](#) [USB3343-CP](#) [USB3503T-I/ML](#) [USB4624I-1080HN](#)  
[CHY100D-TL](#) [STUSB1602AQTR](#) [TUSB214IRWBT](#) [TUSB8043RGCT](#) [USB3319C-CP-TR](#) [USB3310C-CP-TR](#) [USB3310C-CP](#) [USB2532I-](#)  
[1080AEN](#) [CY7C65213-32LTXIT](#) [CY7C68013A-56LTXIT](#) [CYUSB2024-BZXI](#) [CYUSB3025-BZXI](#) [USB3340-EZK](#) [USB3317-GJ-TR](#)  
[USB3316C-CP-TR](#) [USB3311-GJ-TR](#) [USB3250-ABZJ](#) [USB2422T/MJ](#) [FT220XS-R](#) [MAX3107ETG+](#) [NCP360SNT1G](#) [MAX14632EZK+T](#)  
[NCP360SNAET1G](#)