



Please note that Cypress is an Infineon Technologies Company.

The document following this cover page is marked as “Cypress” document as this is the company that originally developed the product. Please note that Infineon will continue to offer the product to new and existing customers as part of the Infineon product portfolio.

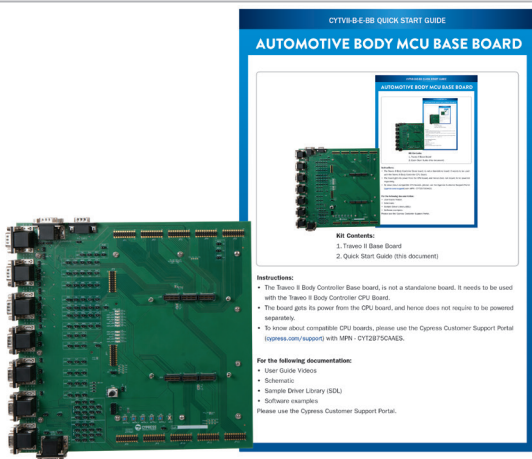
Continuity of document content

The fact that Infineon offers the following product as part of the Infineon product portfolio does not lead to any changes to this document. Future revisions will occur when appropriate, and any changes will be set out on the document history page.

Continuity of ordering part numbers

Infineon continues to support existing part numbers. Please continue to use the ordering part numbers listed in the datasheet for ordering.

AUTOMOTIVE BODY MCU BASE BOARD



Kit Contents:

1. Traveo II Base Board
2. Quick Start Guide (this document)

Instructions:

- The Traveo II Body Controller Base board, is not a standalone board. It needs to be used with the Traveo II Body Controller CPU Board.
- The board gets its power from the CPU board, and hence does not require to be powered separately.
- To know about compatible CPU boards, please use the Cypress Customer Support Portal (cypress.com/support) with MPN - CYT2B75CAE5.

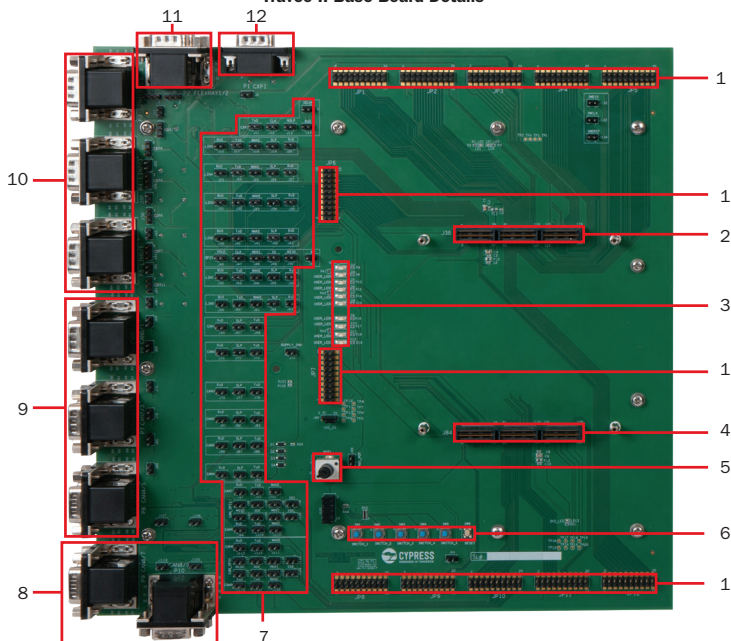
For the following documentation:

- User Guide Videos
- Schematic
- Sample Driver Library (SDL)
- Software examples

Please use the Cypress Customer Support Portal.

AUTOMOTIVE BODY MCU BASE BOARD

Traveo II Base Board Details



- | | |
|---|--|
| 1. 0.100" General Purpose I/O Pin Header (JP1 - JP12) | 7. Jumpers to control CANFD, CAN-SPI, LIN, and CXPI transceivers |
| 2. J38 – Samtec Connector | 8. 4 CAN-SPI channels (CAN6 – CAN9) |
| 3. User LEDs (GPIO) (USER_LED0 – USER_LED9) | 9. 6 CANFD channels (CAN0 – CAN5) |
| 4. J84 – Samtec Connector | 10. 6 LIN channels (LIN0 – LIN5) |
| 5. Potentiometer | 11. 2 Flexray channels (FLEXRAY1, FLEXRAY2) |
| 6. Push Button (GPIO) (SW1 – SW6) | 12. 1 CXPI channel |

X-ON Electronics

Largest Supplier of Electrical and Electronic Components

Click to view similar products for [Development Boards & Kits - ARM category](#):

Click to view products by [Infineon manufacturer](#):

Other Similar products are found below :

[CY4541](#) [OM13090UL](#) [YR0K77210B000BE](#) [B-U585I-IOT02A](#) [NUCLEO-WL55JC1](#) [ZDSD-Pinboard](#) [LKS32MC034DOF6Q8-k](#)
[LKS32MC077MBS8-K](#) [LKS32MC038Y6P8B-K](#) [LKS32MC071DOC8T8-K](#) [LKS32MC074DOF8Q8-K](#) [LKS32MC071CBT8-K](#)
[LKS32MC038Y6P8-k](#) [Ai-WB2-32S-Kit](#) [GD32E103T-START](#) [GD32L233K-START](#) [XDS601](#) [RP2040-Tiny](#) [M6G2C-256LI](#) [YT37](#)
[LKS32MC033H6P8B-K](#) [VC-02-Kit_EN](#) [Ra-08H-Kit](#) [Hi-12FL-Kit](#) [PB-03M-Kit](#) [Ai-WB2-13-Kit](#) [PB-03F-Kit](#) [Ra-08-Kit](#) [Hi-07SL-Kit](#) [Hi-](#)
[07S-Kit](#) [Ai-WB2-12F-Kit](#) [PB-03-Kit](#) [Hi-12F-Kit](#) [AT-START-F407](#) [E104-BT40-TB](#) [APM32F072VBT6](#) [APM32F091VC MINI](#)
[APM32F407IG-MINIBOARD](#) [APM32F051R8 MINI](#) [GD32FPRT-START](#) [GD32407H-START-1](#) [GD32E503V-EVAL](#) [GD32E507R-START](#)
[GD32403V-START-1](#) [EPC1EVK-ECGPPG\(FS\)](#) [NS4EVKA-LC](#) [ENS1EVKD](#) [.ENS1EVKB](#) [ENS1EVKE](#) [HLK-7621-ALL-SUIT](#)