

Radar Baseboard MCU7

XENSIV™ 60 GHz radar system platform

Board version V2.2

About this document

Scope and purpose

This application note describes the Radar Baseboard MCU7 (DEMO RADAR MCU7), part of Infineon's XENSIV™ 60 GHz radar system platform. It also introduces the concept of the platform, which supports multiple sensors. At the heart of the board is the Microchip ATSAMS70Q21, a 32-bit Arm® Cortex®-M7 microcontroller unit (MCU). The microcontroller enables interfacing up to two sensors. It also provides a Hi-Speed USB 2.0 interface to a host computer for visualization or fast data processing. In addition, the board is compatible with the Arduino MKR standard, which facilitates access to existing mass-market daughter boards for mass data storage or wireless communication Arduino boards.

Intended audience

The intended audience for this document are design engineers, technicians, and developers of electronic systems, working with Infineon's XENSIV™ 60 GHz radar sensors.

Related documents

Additional information can be found in the documentation provided with the [Radar Development Kit](#) tool in the [Infineon Developer Center \(IDC\)](#), or from www.infineon.com/60GHz.

Table of contents

About this document.....	1
Table of contents.....	2
1 Introduction	3
1.1 60 GHz radar system platform	3
1.2 Board overview and key features	3
2 Sensor interface.....	5
2.1 Overview	5
2.2 Supply	6
2.3 Level shifters.....	7
2.4 Sensor connectors.....	8
2.5 Current measurement of radar sensor boards.....	10
3 Arduino MKR interface	12
4 Firmware	13
4.1 Overview	13
4.2 USB.....	14
4.3 EEPROM	14
4.4 RGB LED	15
4.5 Firmware development and debugging.....	16
4.6 Flashing via bootloader	16
5 Microcontroller pin map.....	17
5.1 Sensor interface 1.....	17
5.2 Sensor interface 2.....	18
5.3 Arduino MKR interface	19
5.4 Other pins	20
References.....	21
Revision history.....	22
Disclaimer.....	23

Radar Baseboard MCU7

XENSIV™ 60 GHz radar system platform

1 Introduction

1 Introduction

1.1 60 GHz radar system platform

The 60 GHz radar system platform is the evaluation platform for Infineon’s 60 GHz radar sensors. It consists of the Radar Baseboard MCU7 as the microcontroller board and a 60 GHz radar sensor board, e.g., BGT60TR13C shield, BGT60LTR11AIP shield, etc.

Figure 1 illustrates the Radar Baseboard MCU7 with a sensor board (BGT60TR13C shield). Both boards have markers. These markers must be aligned to plug in the sensor board correctly.

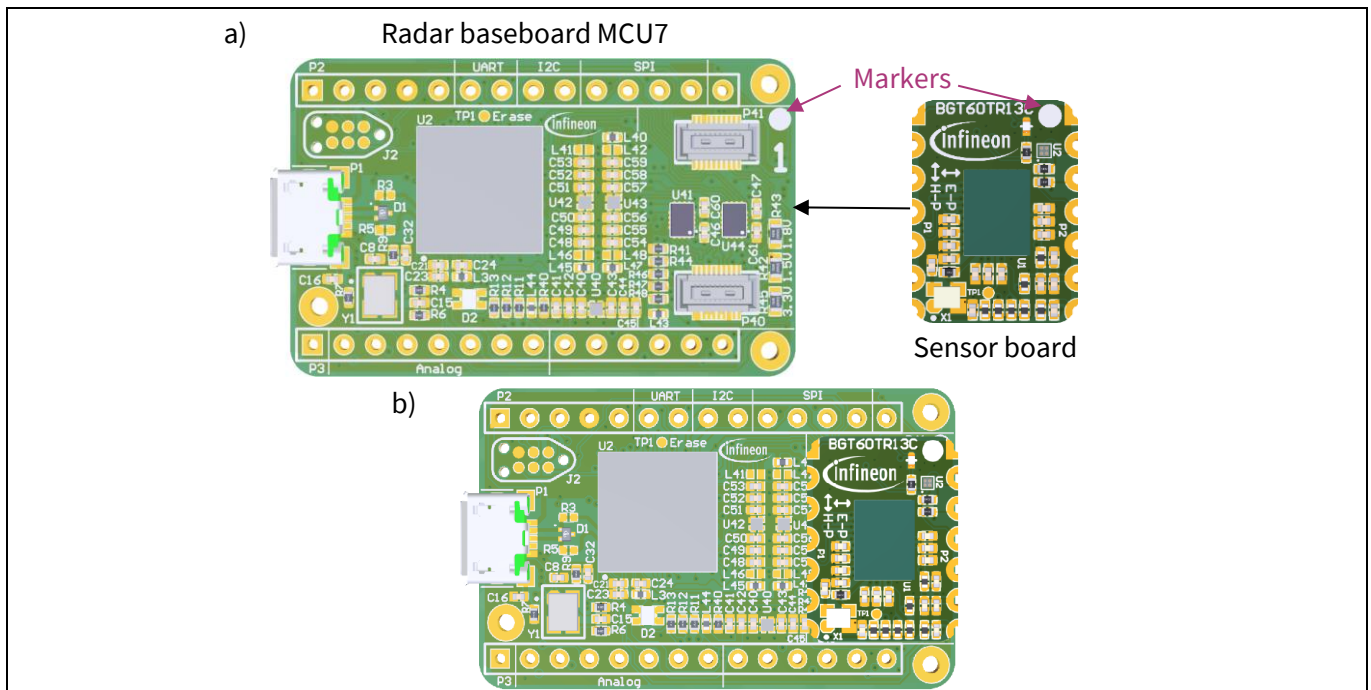


Figure 1 The 60 GHz radar system platform with a sensor board (a) unplugged or (b) plugged in

1.2 Board overview and key features

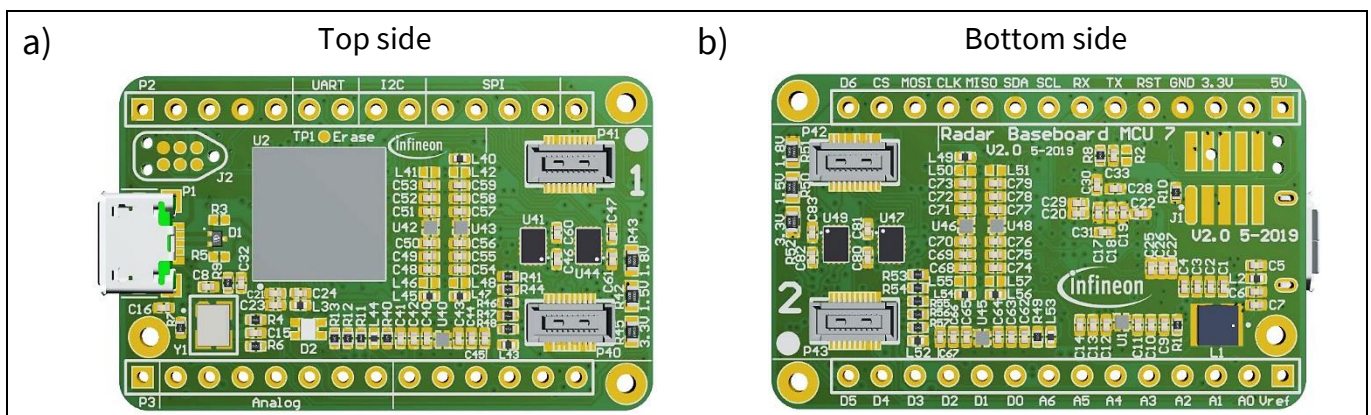


Figure 2 The Radar Baseboard MCU7

The Radar Baseboard MCU7, illustrated in Figure 2, is a 40.64 mm x 25.4 mm printed circuit board (PCB). Its main purpose is to provide a generic sensor interface for Infineon’s 60 GHz radar sensors. The central MCU can

Radar Baseboard MCU7

XENSIV™ 60 GHz radar system platform

1 Introduction

perform radar data processing or forward the sensor data to a USB interface or an Arduino MKR interface. The board's block diagram is depicted in Figure 3 and its key features are as follows:

- **Arm® Cortex®-M7 MCU** – The central device on the Radar Baseboard MCU7 is an ATSAM570Q21, a 32-bit Arm® Cortex®-M7. It runs at a clock frequency of 300 MHz and contains 384 Kbyte SRAM. The microcontroller is supplied with 3.3 V, which is decoupled from the other 3.3 V supplies for the sensors to minimize crosstalk between the digital signals and the sensor supply.
- **USB interface** – Since radar data acquisition can generate significant amounts of raw data, a Hi-Speed-USB interface with data rates of up to 480 Mbit/s is used on the Radar Baseboard MCU7. This provides sufficient bandwidth to forward all radar data to a host PC for visualization or some other powerful computer for radar data processing.
- **Sensor interface** – The Radar Baseboard MCU7 features two radar sensor interfaces. Each sensor daughter card contains an EEPROM connected via an I²C interface. This EEPROM contains a descriptor indicating the type of the baseboard and sensor. This is used by the firmware to communicate properly with the board. It is even possible to detect a wrongly inserted board (rotated by 180 degrees). To enable communication with a radar sensor, the board provides an SPI connection, two analog-to-digital converter (ADC) channels, a digital-to-analog converter (DAC) channel and 10 GPIO pins.
- **Arduino MKR connector** – As radar data processing may require very different application-specific hardware, the Radar Baseboard MCU7 supports the Arduino MKR interface. This gives access to a wide assortment of inexpensive add-on hardware for rapid prototyping, like SD cards for raw data storage, wireless communication and so on.
- **RGB LED** – The board has an RGB LED to indicate its status. At start-up of the board, the LED will blink. If a radar sensor is detected, the LED will turn green. A detailed description of the LED status codes can be found in section 4.4.

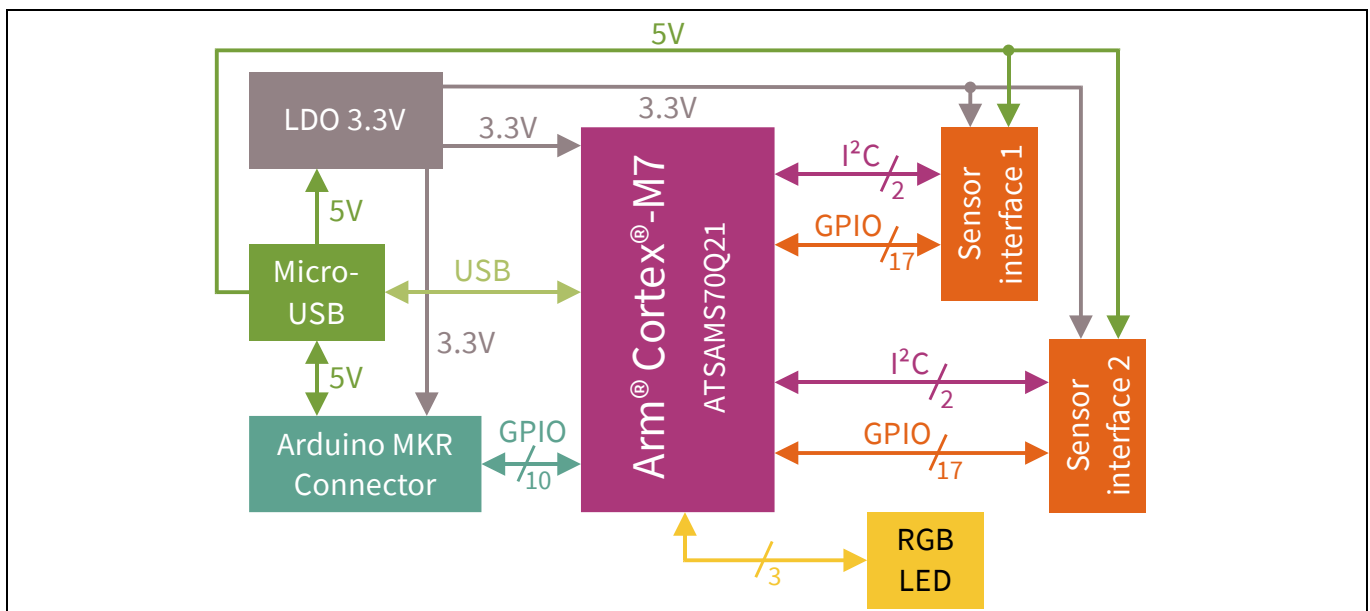


Figure 3 Block diagram of the Radar Baseboard MCU7

Radar Baseboard MCU7

XENSIV™ 60 GHz radar system platform

2 Sensor interface

2 Sensor interface

This section covers the sensor interface that was introduced in the previous section.

2.1 Overview

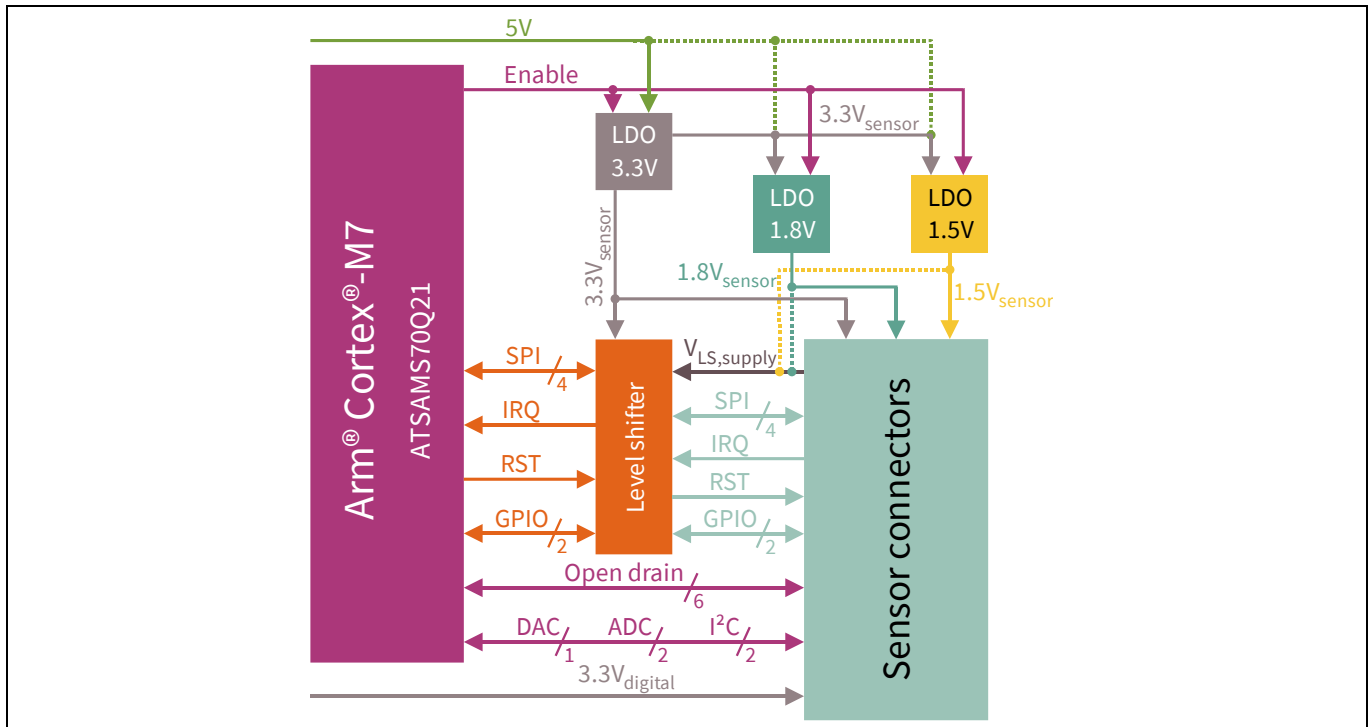


Figure 4 Block diagram of a sensor interface of the Radar Baseboard MCU7

The block diagram of a single sensor interface of the Radar Baseboard MCU7 can be seen in Figure 4. When the board boots up or when a sensor is plugged into the sensor connectors, the sensor supply is deactivated. During start-up, only the 3.3 V_{digital} (MCU) supply of the EEPROM on the sensor board is active. The MCU detects if a sensor board is plugged into the connectors. If the sensor board is rotated, the MCU will detect it and signal an error on the RGB LED – see section 4.4 for details. If the sensor is plugged in correctly, the MCU will read the information in the EEPROM. This is how it will get information about what kind of sensor is plugged into the interface. The power supply of the sensor is only enabled if a correct sensor is detected.

The main communication interface with the sensor is a serial peripheral interface (SPI). Given the discrepancy between the MCU supply voltage of 3.3 V and the sensor supply voltage of 1.8 V or 1.5 V, a level shifter is employed to translate between the different voltage levels. The supply voltage of the level shifter is 3.3 V on one side, and on the second side the power can be supplied from three sources: either directly from the 1.5 V or the 1.8 V supply or from the sensor connector. If the supply is provided by the sensor connector, the daughter card can provide its correct level shifter supply voltage from the supplied voltages. Besides the four SPI signals, four more digital signals are translated:

- A hardware reset signal to the sensor.
- An interrupt signal from the sensor to the MCU to indicate that some action by the MCU is required.
- Two general purpose input output (GPIO) pins – see section 2.3 for details.

In addition, the translated signals the connector also provides:

- Two ADC channels

Radar Baseboard MCU7

XENSIV™ 60 GHz radar system platform

2 Sensor interface

- One DAC channel
- Six open-drain output signals. One of these is intended to control an LED on the sensor board. The MCU will activate the LED by pulling the signal to a low level and deactivate the LED by putting the signal into High-Z mode.

2.2 Supply

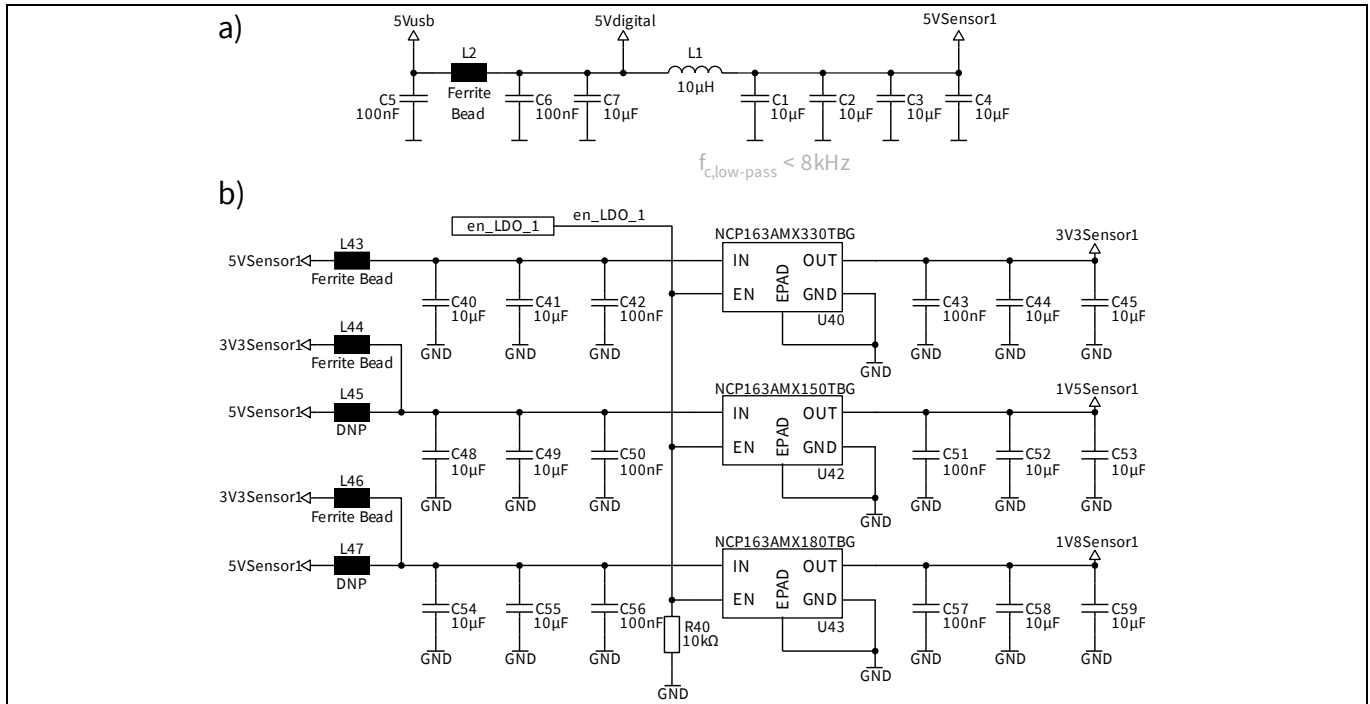


Figure 5 Sensor supply circuit schematics of sensor 1

Because radar sensors are very sensitive to voltage fluctuations on the supply, a low-noise power supply is vital. This subsection discusses the supply circuit on the Radar Baseboard MCU7. Figure 5a depicts the initial stage of the supply’s circuit. To block high-frequency (HF) noise entering the circuit via the USB supply, a low-pass filter has been integrated. This filter consists of the ferrite bead L2 and the capacitors C6 and C7. The filtered voltage is used to supply the MCU (through a 3.3 V LDO). The MCU operation may cause additional unwanted voltage fluctuations on the supply.¹ Therefore, another low-pass filter is placed in the supply. The filter consists of the coil L1 and the capacitors C1, C2, C3 and C4, which results in a cut-off frequency below 8 kHz.² This yields a stable supply voltage with very low noise inside a frequency range from about 10 kHz up to the MHz regime.

Figure 5b shows the additional supply circuitry that is required for each sensor. The one depicted in Figure 5b is for sensor 1.³ A ferrite bead is placed at the input side of the supply to block any HF noise from upstream (such as might be caused by the MCU). This is fed into an LDO to generate an intermediate voltage of 3.3 V for the sensor supply. This intermediate voltage is further down-converted to 1.8 V and 1.5 V. The LDOs used for power conversion are ON Semiconductor’s NCP163 low-noise LDOs with an output noise of 6.5 µVRMS. They provide a power supply rejection ratio above 90 dB. The remaining noise in the system is mainly caused by the LDOs and tends to be strongest at frequencies around 100 kHz where the LDOs stop working efficiently.

¹ e.g., a PWM signal generated by the MCU would cause noise on the supply at the frequency of the PWM signal and its harmonics.

² Additional capacitors on the supply line reduce the cut-off frequency even more.

³ The circuit for sensor 2 is a copy of the circuit of sensor 1.

Radar Baseboard MCU7

XENSIV™ 60 GHz radar system platform

2 Sensor interface

If ghost targets appear in the radar signal, it may be possible to improve the performance by optimizing the power supply. On the Radar Baseboard MCU7, the supply of the 1.8 V and 1.5 V LDOs can be changed from 3.3 V to 5 V by swapping L44 with L45 and L46 with L47. This will affect the noise performance on the 1.5 V supply and the 1.8 V supply. If L44 and L46 are used, 1.5 V and 1.8 V are each generated with two LDOs in series.¹ This configuration suppresses external low frequency better than a single LDO.

The other option is to directly convert 5 V down to 1.5 V and 1.8 V by using L45 and L47 instead of L44 and L46. Each LDO generates noise at its maximum suppression frequency, which is typically around 100 kHz. This frequency is in the frequency range of the radar IF signals. Hence, noise in that this frequency range can cause ghost targets in radar data processing. In the configuration with two LDOs in series (L44 and L46), the noise caused by the first LDO stage will be amplified by the second stage. To minimize the noise around 100 kHz, a single LDO stage can be used in the configuration with L45 and L47. To summarize, for supplies with strong low-frequency noise components, it is better to use L44 and L46, while for low-noise supplies L45 and L47 are preferable.

2.3 Level shifters

This subsection explains the level shifter circuit on the Radar Baseboard MCU7.

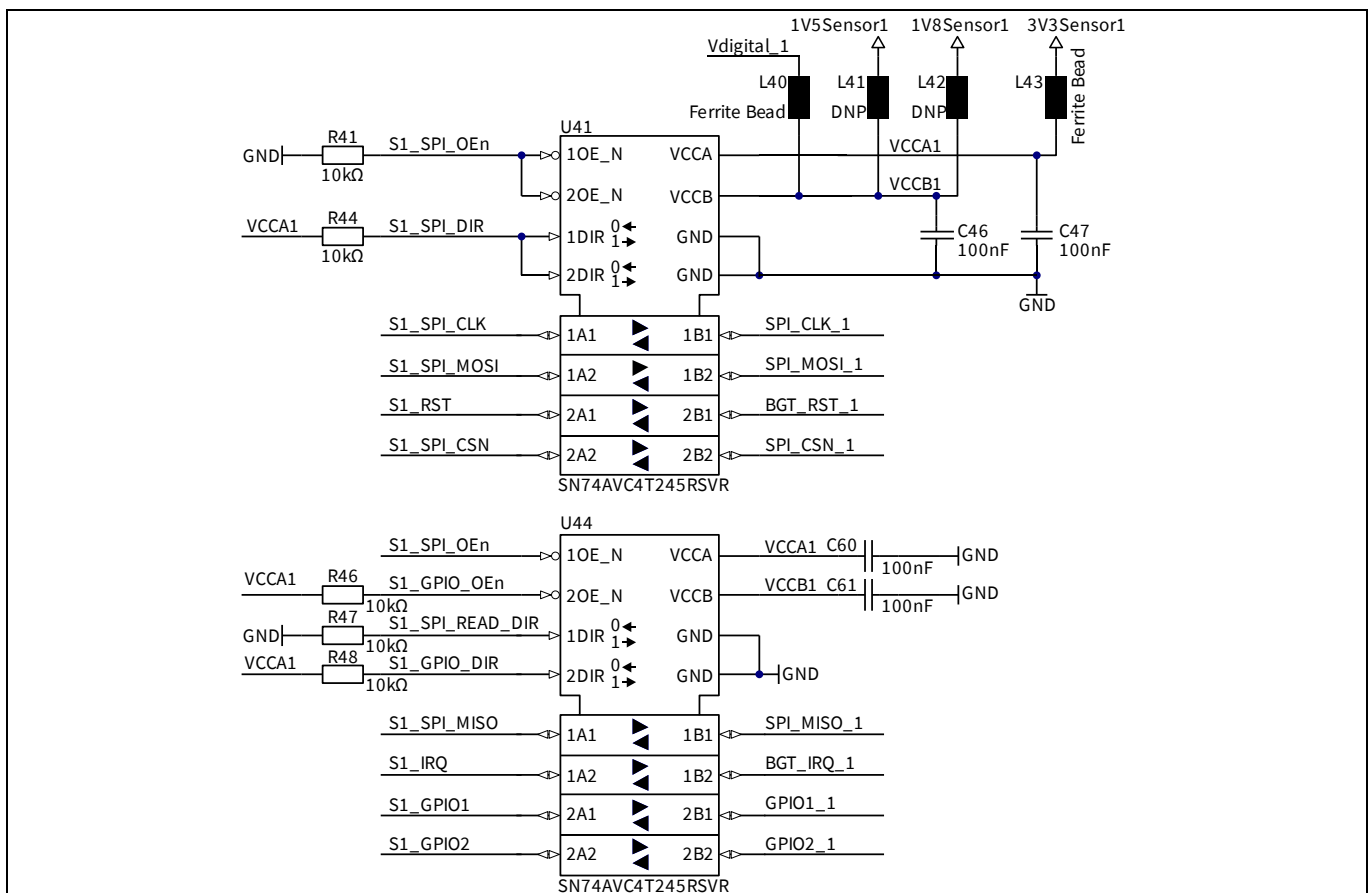


Figure 6 Level shifter circuit of sensor 1

Figure 6 illustrates the level shifter circuit for sensor 1. The circuit for sensor 2 is equal to the one for sensor 1 except for the other signal lines that are used for sensor 2. The level shifters can either be powered by one of the sensor supplies or with a voltage from the sensor interface. With this voltage from the sensor interface, the

¹ U40 and U42 generate 1.5 V. U40 and U43 create the 1.8 V domain.

Radar Baseboard MCU7

XENSIV™ 60 GHz radar system platform

2 Sensor interface

daughter card has the option to choose its preferred supply voltage. To minimize interference from digital signals on the supply voltage, the level shifters are decoupled from the sensor supplies. This is done by using ferrite beads with high suppression in the MHz regime.

Pull-up and pull-down resistors are connected to the enable and direction pins. This provides a pre-set so that SPI level translation is enabled with the direction configured so that the MCU is the master, and the sensor is the slave. If a different configuration is required, the MCU can directly drive those pins. See Table 5 and Table 6 for details.

2.4 Sensor connectors

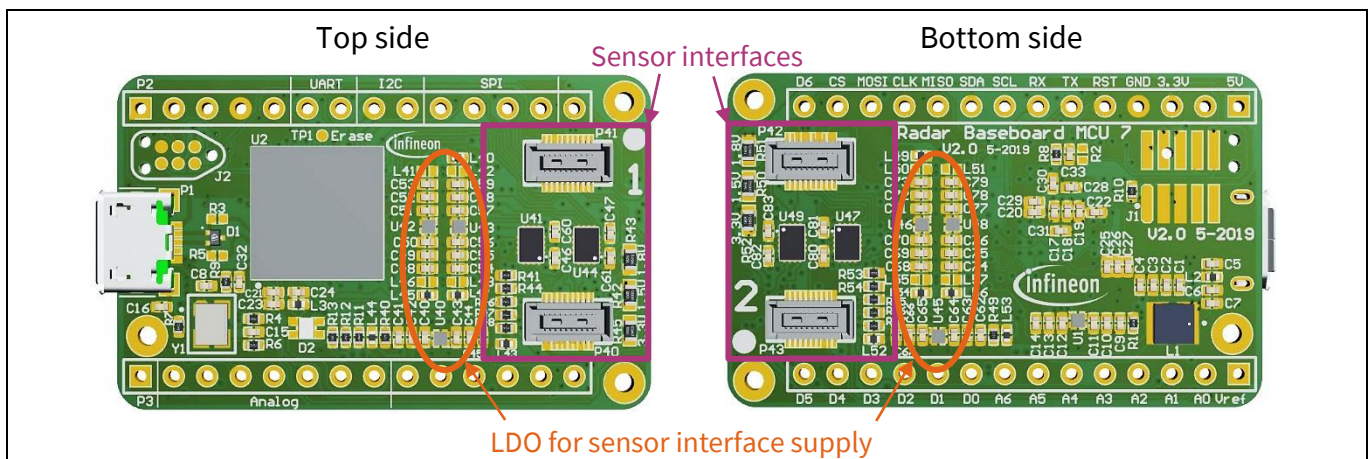


Figure 7 Sensor interfaces on the Radar Baseboard MCU7

As illustrated in Figure 7, the board features two sensor interfaces. The one on the top side of the PCB is labeled “1” and the one on the bottom side of the PCB is labeled “2”. Next to the label, a white filled circle is drawn as a marker. A complementary marker is to be found on the sensor board – see Figure 1. For correct mounting of a sensor, the markers of the Radar Baseboard MCU7 and the sensor board must be aligned.

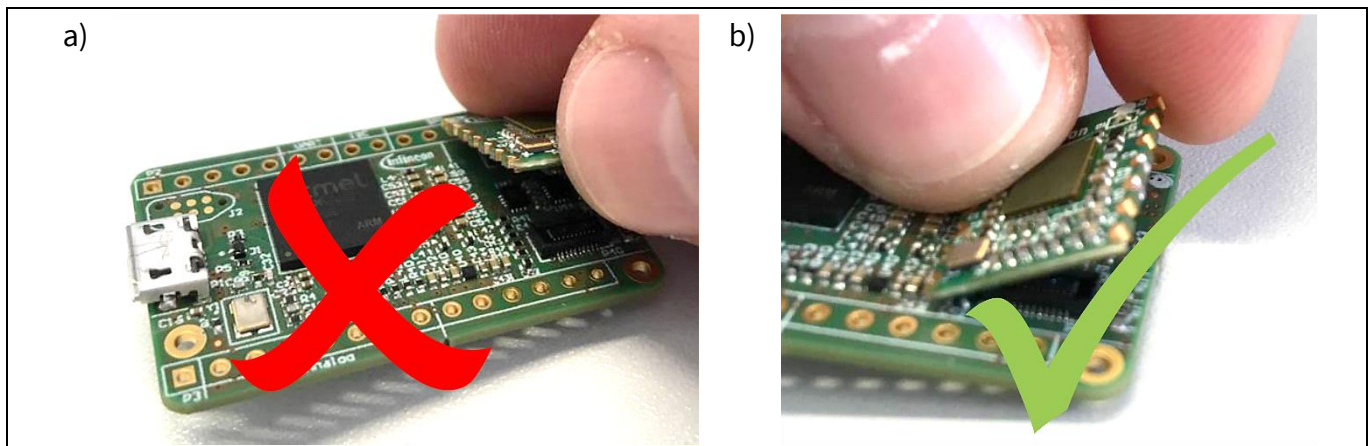


Figure 8 How to unplug the sensor-to-sensor connectors of the Radar Baseboard MCU7

Hirose’s DF40C-20DS-0.4V connectors are used for the sensor interfaces on the Radar Baseboard MCU7. On the sensor board, matching DF40C-20DP-0.4V connectors are used. There is a risk of the connectors wearing out when regularly plugged into and unplugged from the sensor. To prevent this, do not lift the sensor on the short side out of the connector, as illustrated in Figure 8a. Instead, simply pull on the long side of the sensor, thereby tilting the short side, as shown in Figure 8b. This will significantly increase the lifetime of the connectors.

Radar Baseboard MCU7

XENSIV™ 60 GHz radar system platform

2 Sensor interface

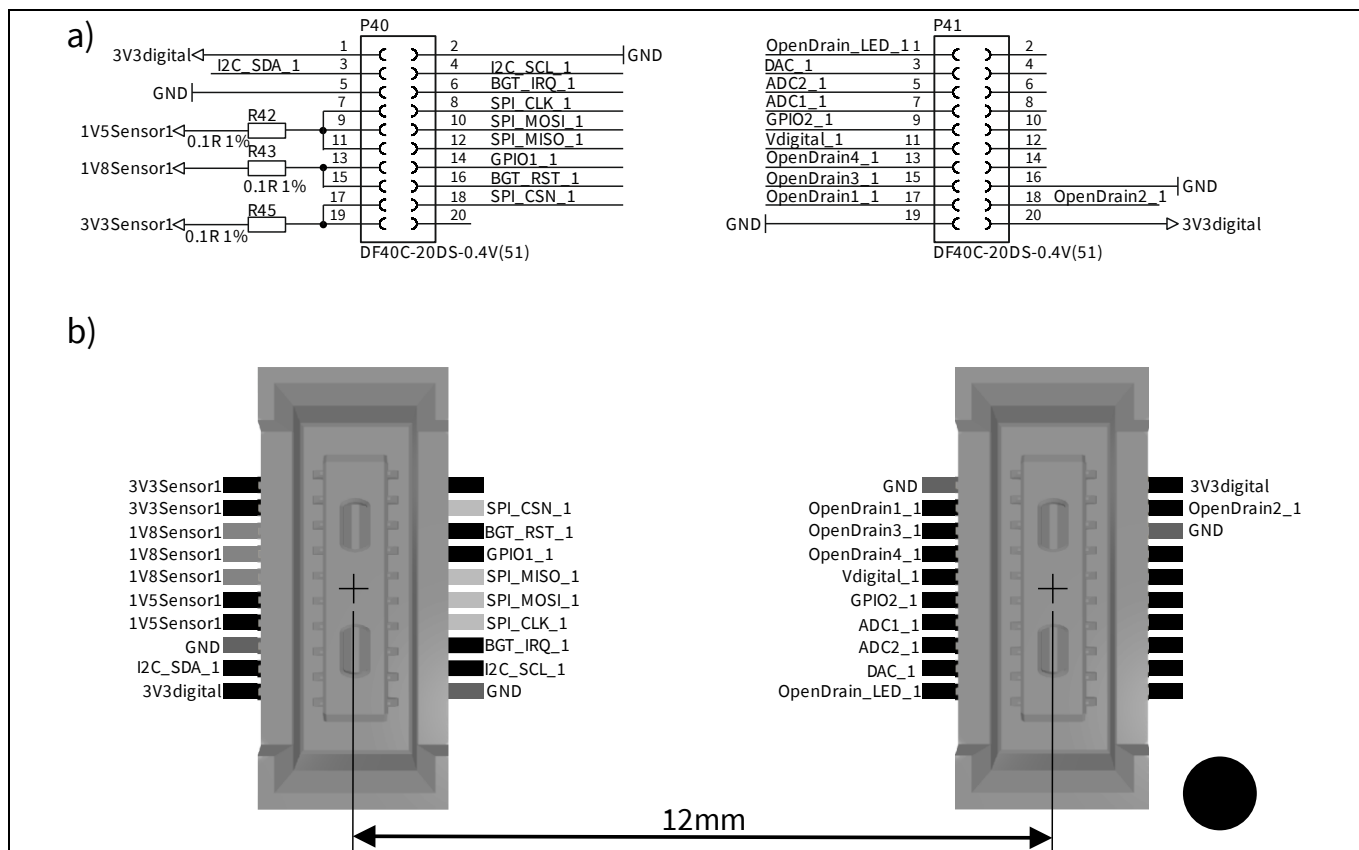


Figure 9 Schematics (a) and pad layout (b) of the connectors for sensor 1.

Figure 9 depicts the schematics (a) and the pad layout (b) of the connectors for sensor 1. Since it is possible to plug the same sensor into either interface, the schematics and pad layout for both are equal, except for the different signal names for sensor 2. The two connectors of a sensor interface are separated by 12 mm, and Figure 9 also illustrates the silkscreen marking for the correct alignment of a sensor with one of the Radar Baseboard MCU7’s sensor interface.

If a sensor is plugged in incorrectly (rotated by 180 degrees), GND and 3V3digital will still be matched between the MCU board and sensor board. Therefore, the sensor’s I2C signal lines for the EEPROM will still be pulled up and the MCU will notice that OpenDrain1_1 and OpenDrain2_1 are pulled up instead of its I2C signals. This is how the MCU can detect that the sensor is plugged in correctly (I2C signals pulled up) or incorrectly (OpenDrain1_1 and OpenDrain2_2 pulled up).

The main sensor interface is full duplex SPI. Besides the eight level-shifted signals that were explained in section 2.3, one line provides a possible supply source for the level shifters, which allows the daughter cards to set their digital voltage level. Additionally, to these signals, there are three analog lines connected to the MCU, two ADC channels and a DAC channel, which can be used on the sensor board. Furthermore, there are five digital signals connected, which can only be used in open-drain mode because they are not level shifted.

Radar Baseboard MCU7

XENSIV™ 60 GHz radar system platform

2 Sensor interface

2.5 Current measurement of radar sensor boards

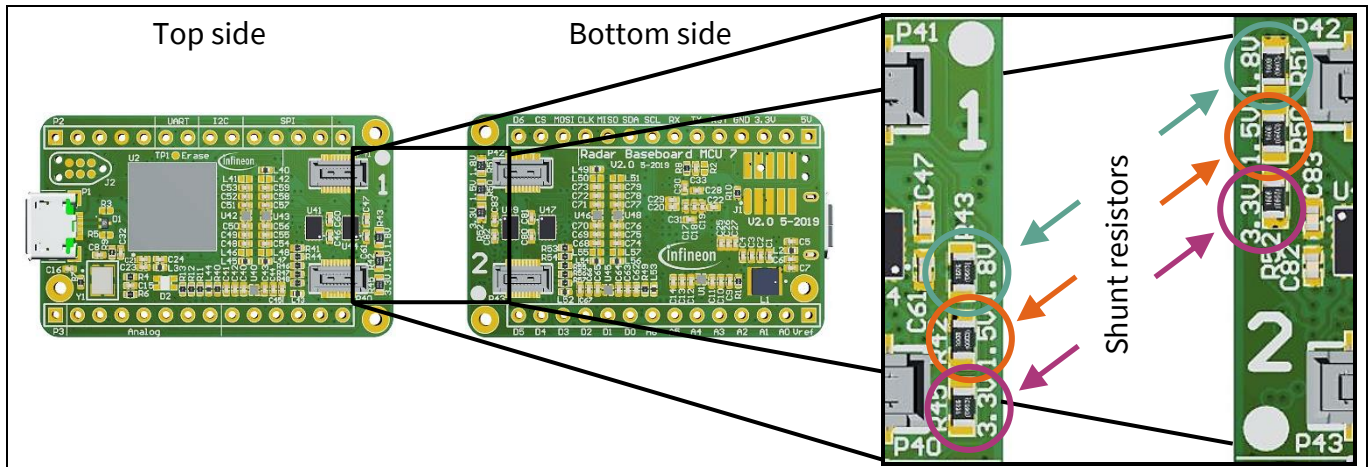


Figure 10 Shunt resistors for current measurement of the radar sensor boards

If a measurement of the actual operating current consumption of the sensor is required, shunt resistors are provided on the Radar Baseboard MCU7. The shunt resistors are in series to the supplies of the two sensors, as illustrated in Figure 10. There is a label next to each shunt resistor to indicate which supply is measured – see Table 1 for details. All shunt resistors have a resistance of 0.1 Ω. By measuring the voltage drop along the shunt resistor,¹ the user can infer the current supplied to the sensor and multiply it by the voltage supplied to measure the power consumption of the sensor board. In this way, it is possible to measure the power supplied on the 1.5 V, the 1.8 V and the 3.3 V supply of the sensor.

Table 1 Shunt resistors and the supplies to which they are attached

Shunt resistor	Resistor value	Sensor interface	Supply
R42	0.1 Ω (1 percent)	1	1.5 V
R43	0.1 Ω (1 percent)	1	1.8 V
R45	0.1 Ω (1 percent)	1	3.3 V
R50	0.1 Ω (1 percent)	2	1.5 V
R51	0.1 Ω (1 percent)	2	1.8 V
R52	0.1 Ω (1 percent)	2	3.3 V

When measuring the current with an oscilloscope, as illustrated in Figure 11a, two oscilloscope channels are required. Such a set-up is required for a differential measurement with shared ground. The voltage of interest is the voltage at channel 1 minus the voltage at channel 2. Figure 11b depicts a typical measurement result during a chirp of a radar frame. When the RF part of the chip is activated and the PLL starts to lock the frequency, the current into the BGT60TR13C shoots up. After an overshoot, it decreases before the power amplifier and the ADC are activated. Then, another current increase can be observed. After the frequency ramp, the required current drops and a current undershoot can be observed. Due to this resulting oscillation of the charges between buffer capacitors, it is recommended to put the radar sensor in a defined state and let the voltages on the sensor settle.

The resulting constant current can easily be measured with an oscilloscope or a voltmeter by dividing the measured voltage with the shunt resistance. To compute the power consumption, one must measure the

¹ Make sure to measure the voltage drop along the shunt resistors, either differential or potential free.

Radar Baseboard MCU7

XENSIV™ 60 GHz radar system platform

2 Sensor interface

current (and thus power) for all states of a radar frame. The next computation step is to calculate the energy consumed in each state by multiplying the power with the duration. Then, one must add up all energies of a frame up to obtain the energy of the whole frame. To get the average power consumption, one must divide the energy of the frame with the length of the frame.

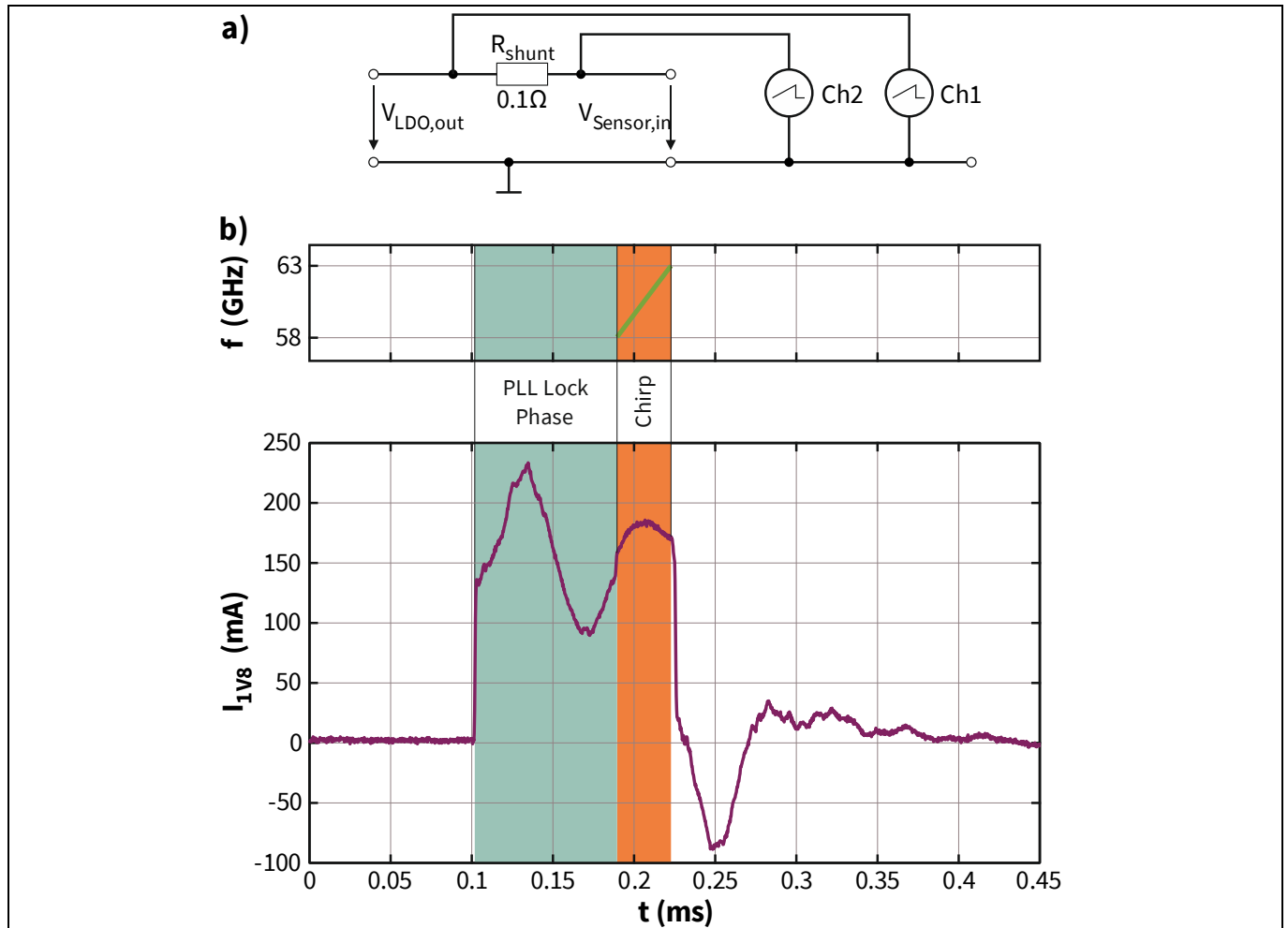


Figure 11 Current measurement with the shunt resistors. The measurement set-up is shown in (a) and typically measurement results for a single chirp are depicted in (b).

Radar Baseboard MCU7

XENSIV™ 60 GHz radar system platform

3 Arduino MKR interface

3 Arduino MKR interface

The Arduino MKR family is a new Arduino family of boards with a standardized interface that can be used for rapid prototyping. This new board family contains (among others) the following boards, which can be used as daughter cards:

- MKR Zero – a board with an SD card slot which enables raw data storage on an SD card.
- MKR1000 – a board with a Wi-Fi module for wireless data transfer.
- MKR Vidor 4000 – a board with an FPGA for parallel data processing and SDRAM for a RAM extension.
- MKR2UNO adapter – an adapter board that gives access to the standard Arduino environment with a huge number of daughter cards.
- and many more; a quick Google search for “[Arduino MKR boards overview](#)” can provide a good overview.

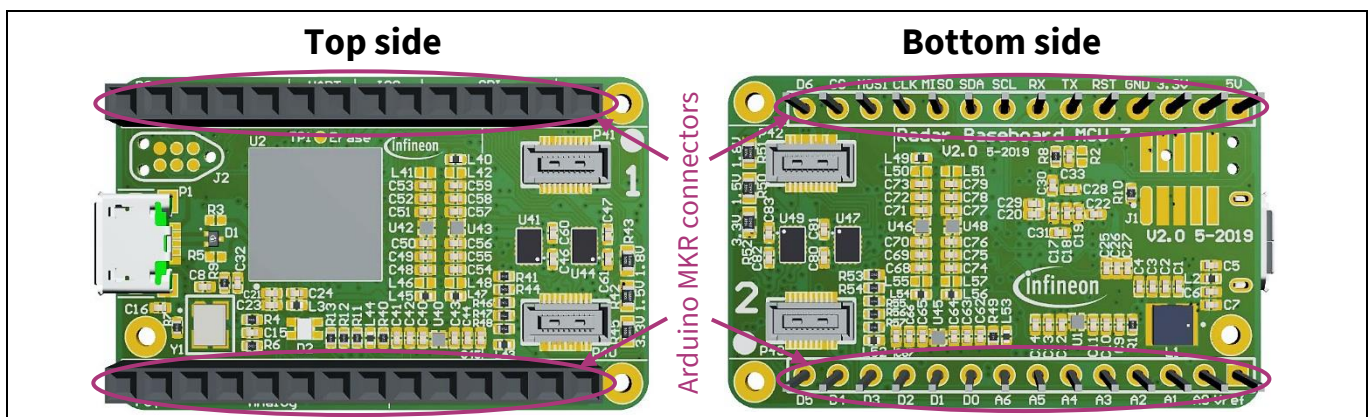


Figure 12 Arduino MKR connector on the Radar Baseboard MCU7

Besides a 5 V supply, a 3.3 V supply and a voltage reference, the Arduino MKR interface contains both an analog and a digital interface. The analog interface features seven analog channels. The digital interface is composed of a UART interface, an SPI interface and seven GPIO pins – see Table 7 for details. Figure 12 shows the Arduino MKR connectors on the Radar Baseboard MCU7. On the top side of the PCB, containing the MCU, two female 14-pin headers can be soldered to the board. On the bottom side of the PCB, two male 14-pin headers can be soldered to the board. If a sensor is mounted on the same side as the Arduino MKR connectors, the connectors might influence the radar antennas. For this reason, it is recommended to only solder Arduino MKR headers on one side of the radar baseboard and to plug the radar sensor into the other side of the baseboard.

Radar Baseboard MCU7

XENSIV™ 60 GHz radar system platform

4 Firmware

4 Firmware

4.1 Overview

The Radar Baseboard MCU7 comes with a default firmware that is intended to serve as a bridge between a host (typically a PC) and the sensor shields, which are mounted on the sensor connectors. For this, the firmware implements logic to:

- communicate with the host via USB.
- read and write sensor registers.
- read sensor data via SPI.
- check if a sensor board is plugged into one of the connectors.
- read and write the EEPROM on the sensor board (for example, to identify the board).
- control some auxiliary peripherals such as status LEDs on the baseboard and sensor board.

In its current state, the firmware does not implement any signal processing. It can receive messages from the host telling it how to configure the sensor and it can forward the acquired data from the sensor to the host. However, if signal processing is required, this functionality can be added as the MCU is powerful enough. The firmware is written in a way to minimize the effort of porting it to other microcontrollers. Therefore, the firmware is structured into the following layers.

- **Hardware abstraction layer (HAL)** – This is the lowest layer and implements all the MCU-specific logic, such as how to interface with SPI, GPIOs, timers and other HW blocks. When porting to a different MCU, this layer should be the only one affected. It also implements a USB CDC serial interface that is used by the communication layer to connect to a host device.
- **Driver layer** – This layer sits on top of the hardware layer. It provides functions to parameterize and read data from the sensor. It creates appropriate SPI packets to apply those parameters to the sensor and calls the SPI functions from the HAL to initiate the data transfer. Furthermore, it decodes SPI data packets from the sensor received by the HAL. Thereby, the sensor measurements are extracted and passed on to the layer above. The driver layer is independent of the MCU. However, it is specific to the sensor and needs to be adapted for every supported sensor.
- **Communication layer** – This layer sits on top of the driver layer and the hardware layer. It receives request or command messages from the host via the USB interface. These messages are decoded, and the contained data is extracted. This is done by calling the corresponding functions of the driver layer. When those functions return with a result, a response message with the result is forwarded to the host. Messages to the host are also generated on receipt of sensor data from the driver layer. This layer is hardware independent, too. It uses the HAL USB CDC interface for data transmission to the host.
- **Actual firmware** – This layer sits on top of all other layers. The firmware calls the initialization functions of all lower layers at start-up for configuration of things like SPI speed and GPIO directions. Once the start-up phase has completed, an endless loop is entered, inside which the communication layer is called to fetch and transmit messages to and from the host.

When integrating a sensor in a custom project without the Radar Baseboard MCU7 serving as an intermediary, the following steps will need to be taken in the firmware:

- The hardware abstraction layer needs to be ported to the MCU or application processor used in the project.
- The driver layer can be taken as is without any modifications.
- The communication layer will not be needed; instead, the algorithm can be put at this level.

Radar Baseboard MCU7

XENSIV™ 60 GHz radar system platform

4 Firmware

- The Radar Baseboard MCU7's firmware code will not be used; however, the initialization code should be moved into the MCU of the project.

When porting the whole firmware to a different MCU, it should be sufficient to port the HAL to that MCU.

When adding an algorithm to the firmware, this should be put above the driver layer. Depending on the requirements, the algorithm can replace the communication layer or be operated in parallel to it.

4.2 USB

The firmware implements a communication device class (CDC) device on the USB interface. That means the USB interface works like a serial port, implementing a bidirectional interface transmitting a stream of bytes in both directions.

On top of this serial data stream, a message-based protocol is implemented by putting start and end markers around each message. The first byte of the message specifies the target module of the firmware for which the message is intended. Bytes 2 and 3 of the message set the length of the message. That way, the protocol decoder knows the length of the message. In conjunction with the start and end markers, it can split the received stream into its constituent packets. The firmware source code includes a part of the communication library that can be integrated into a host application and provides functions to create and decode the firmware messages.

4.3 EEPROM

The firmware utilizes the EEPROM to detect the shield type. The structure of the EEPROM is given in Table 2. It also contains a 128-bit board identifier, which can be used to distinguish different boards of the same type. In addition to that, the firmware provides commands to the host to store and retrieve key/value pairs of a limited size in the EEPROM. The host is free to assign any meaning it wants to those pairs (e.g., the value for a specific key might refer to radar configuration data, while the value for another key might be used to store display settings). The functions for accessing the EEPROM are part of the communication library that is delivered with the firmware.

Table 2 EEPROM structure

Structure	Field	Description
EEPROM header		Header to identify board and EEPROM
	Magic	8-byte identifier used to detect if the EEPROM has been initialized
	Version	2-byte version number identifying the structure
	BoardType	Board type identifier which the firmware uses to detect the kind of board
	NvmType	Identifier of the EEPROM type. Used by the firmware to distinguish between different I ² C EEPROM configurations (size, page size).
	Reserved	Reserved space, set to 0
	UUID	128-bit UUID that can be used to identify the board.
Directory		Table mapping 32-bit keys to data specified at a specific offset in the flash
	Entry 1: Key	32-bit key for the first entry
	Entry 1: Length	Length of data for the first entry
	Entry 1: Page	Address of the data for the first entry specified as a page number
	...	Further entries
	Entry N: Key	32-bit key for the Nth entry
	Entry N: Length	Length of data for Nth entry

4 Firmware

Structure	Field	Description
	Entry N: Page	Address of the data for the Nth entry specified as a page number
Data area		The rest of the EEPROM is used to store the data corresponding to the entries in the directory
	Data 1	Data for entry 1 at the page given in the corresponding directory entry
	...	Data for further entries
	Data N	Data for entry N at the page given in the corresponding directory entry

4.4 RGB LED

The status of the board is indicated using the RGB LED. After startup of the board and while the board is idle, the board status is indicated as shown in Table 3. While active, the board status is indicated as shown in Table 4.

Table 3 Board status after startup and while idle as indicated by the RGB LED

Board status	Blinking pattern			
	Duration 1 and color 1	Duration 2 and color 2	Duration 3 and color 3	Duration 4 and color 4
No error detected	Long green	Long off		
No RF shield detected	Short green	Short red		
Wrong orientation of shield	Short red	Short off		
Unknown shield (shield may be broken or not connected properly)	Short yellow	Short red		
Internal error during initialization/detection (this may indicate a HW or FW problem)	Short yellow	Short off	Long red	Long off

Table 4 System status while active as indicated by the RGB LED

System status	Blinking pattern			
	Duration 1 and color 1	Duration 2 and color 2	Duration 3 and color 3	Duration 4 and color 4
Board is idle	Long green	Long off		
Reading data from SPI	Red			
Sending data to host	Blue			

Radar Baseboard MCU7

XENSIV™ 60 GHz radar system platform

4 Firmware

4.5 Firmware development and debugging

The firmware is delivered as a project for the Atmel Studio 7 IDE. Hence, compiling, flashing and debugging work out of the box by simply pressing the corresponding buttons in the IDE. For further details, refer to (Microchip, Atmel Studio 7 User Guide, 2019).

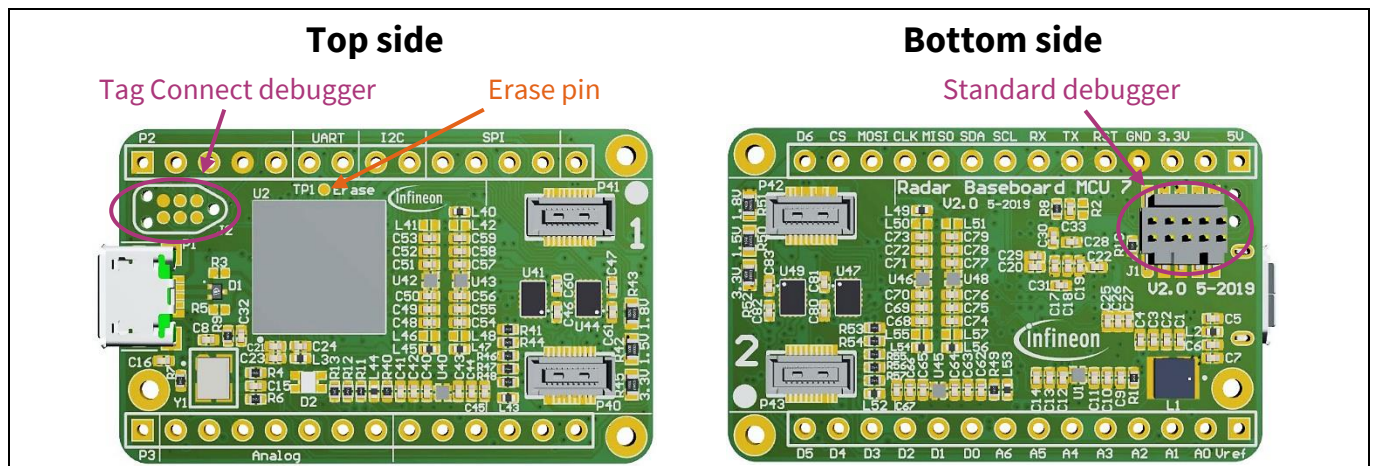


Figure 13 Debug connectors on the Radar Baseboard MCU7

If the user requires a debugger connector, the board features two options, as illustrated in Figure 13. On the top side of the Radar Baseboard MCU7, there is the layout for a Tag Connect debugger. If the user does not want to buy a Tag Connect debug cable, they can solder a normal 10-pin Arm debugging connector to the pads of component J1 on the bottom side of the Radar Baseboard MCU7.

When using a debugger connector, the firmware can be programmed directly from Atmel Studio 7 using an Atmel-ICE programmer or compatible tools (for details, see the documentation provided with Atmel Studio).

4.6 Flashing via bootloader

The microcontroller contains a bootloader. This enables firmware updates via the USB interface if a debugger is not available. Since the device normally boots directly into the firmware without going into the bootloader must be manually activated at first. This can be done by performing the following sequence:

- Disconnect the device from USB.
- Hold the MCU ERASE pin to high by connecting TP1 to 3.3 V (see Figure 13).
- Connect the device to USB again while holding TP1 high.
- Release the ERASE pin (TP1).
- The device is now in bootloader mode.

Once the device is in bootloader mode, the firmware can be programmed using the SAM-BA GUI available for download from Microchip at (Microchip, SAM-BA Boot Assistant, 2019)

5 Microcontroller pin map

5.1 Sensor interface 1

Table 5 Microcontroller pin map of sensor interface 1

Signal name(s)	Signal group	MCU pin	Description
I2C_SCL_1	I ² C	PD28	Clock pin of I ² C interface for the EEPROM
I2C_SDA_1	I ² C	PD27	Data pin of I ² C interface for the EEPROM
S1_SPI_CSN SPI_CSN_1	SPI	PA11	Chip select pin of SPI sensor interface
S1_SPI_MISO SPI_MISO_1	SPI	PA12	Master Input Slave Output pin of SPI sensor interface
S1_SPI_MOSI SPI_MOSI_1	SPI	PA13	Master Output Slave Input pin of SPI sensor interface
S1_SPI_CLK SPI_CLK_1	SPI	PA14	Clock pin of SPI sensor interface
S1_RST BGT_RST_1	GPIO	PA0	Level shifted GPIO, used for hardware reset of sensor
S1_IRQ BGT_IRQ_1	GPIO	PC6	Level shifted GPIO, used for interrupt request of sensor
S1_GPIO1 GPIO1_1	GPIO	PA9	Level shifted GPIO, no special purpose
S1_GPIO2 GPIO2_1	GPIO	PA10	Level shifted GPIO, no special purpose
ADC1_1	Analog	PE5	ADC channel 1, analog front end 0 of the MCU
ADC2_1	Analog	PC15	ADC channel 2, analog front end 1 of the MCU
DAC_1	Analog	PB13	DAC channel, DAC0 of MCU
OpenDrain1_1	Open drain	PD16	Not level shifted GPIO, either 3.3 V push-pull or open drain
OpenDrain2_1	Open drain	PC9	Not level shifted GPIO, either 3.3 V push-pull or open drain
OpenDrain3_1	Open drain	PC28	Not level shifted GPIO, either 3.3 V push-pull or open drain
OpenDrain4_1	Open drain	PA27	Not level shifted GPIO, either 3.3 V push-pull or open drain
OpenDrain5_1	Open drain	PC8	Not level shifted GPIO, either 3.3 V push-pull or open drain
OpenDrain_LED_1	Open drain	PC1	Not level shifted GPIO, either 3.3 V push-pull or open drain
S1_SPI_OE	Level shifter	PD24	Disable pin of the level shifter for SPI communication – with external pull-down resistor (high: disable, low: enable)
S1_SPI_DIR	Level shifter	PD11	Direction pin of the level shifter for SPI communication – with external pull-up resistor (high: MCU → sensor, low: sensor → MCU)
S1_SPI_READ_DIR	Level shifter	PD17	Direction pin of the level shifter for SPI communication (MISO) – with external pull-down resistor (high: MCU → sensor, low: sensor → MCU)

Radar Baseboard MCU7

XENSIV™ 60 GHz radar system platform

5 Microcontroller pin map

Signal name(s)	Signal group	MCU pin	Description
S1_GPIO_OE	Level shifter	PD14	Enable pin of the level shifter for GPIO 1 and GPIO2 – with external pull-up resistor (high: disable, low: enable)
S1_GPIO_DIR	Level shifter	PD18	Direction pin of the level shifter for GPIO 1 and GPIO2 – with external pull-up resistor (high: MCU → sensor, low: sensor → MCU)

5.2 Sensor interface 2

Table 6 Microcontroller pin map of sensor interface 2

Signal name(s)	Signal group	MCU pin	Description
I2C_SCL_2	I ² C	PA4	Clock pin of I ² C interface for the EEPROM – shared with Arduino MKR interface
I2C_SDA_2	I ² C	PA3	Data pin of I ² C interface for the EEPROM – shared with Arduino MKR interface
S2_SPI_CLK SPI_CSN_2	SPI	PC25	Chip select pin of SPI sensor interface
S2_SPI_MISO SPI_MISO_2	SPI	PC26	Master Input Slave Output pin of SPI sensor interface
S2_SPI_MOSI SPI_MOSI_2	SPI	PC27	Master Output Slave Input pin of SPI sensor interface
S2_SPI_CLK SPI_CLK_2	SPI	PC24	Clock pin of SPI sensor interface
S2_RST BGT_RST_2	GPIO	PA17	Level shifted GPIO – used for hardware reset of sensor
S2_IRQ BGT_IRQ_2	GPIO	PC11	Level shifted GPIO – used for interrupt request of sensor
S2_GPIO1 GPIO1_2	GPIO	PA7	Level shifted GPIO, no special purpose
S2_GPIO2 GPIO2_2	GPIO	PA2	Level shifted GPIO, no special purpose
ADC1_2	Analog	PD30	ADC channel 1, analog front end 0 of the MCU
ADC2_2	Analog	PC13	ADC channel 2, analog front end 1 of the MCU
DAC_2	Analog	PD0	DAC channel, DAC1 of MCU
OpenDrain1_2	Open drain	PA22	Not level shifted GPIO, either 3.3 V push-pull or open drain
OpenDrain2_2	Open drain	PD10	Not level shifted GPIO, either 3.3 V push-pull or open drain
OpenDrain3_2	Open drain	PC29	Not level shifted GPIO, either 3.3 V push-pull or open drain
OpenDrain4_2	Open drain	PD15	Not level shifted GPIO, either 3.3 V push-pull or open drain
OpenDrain5_2	Open drain	PC17	Not level shifted GPIO, either 3.3 V push-pull or open drain
OpenDrain_LED_2	Open drain	PC2	Not level shifted GPIO, either 3.3 V push-pull or open drain

Radar Baseboard MCU7

XENSIV™ 60 GHz radar system platform

5 Microcontroller pin map

Signal name(s)	Signal group	MCU pin	Description
S2_SPI_OE	Level shifter	PC3	Disable pin of the level shifter for SPI communication – with external pull-down resistor (high: disable, low: enable)
S2_SPI_DIR	Level shifter	PA8	Direction pin of the level shifter for SPI communication – with external pull-up resistor (high: MCU → sensor, low: sensor → MCU)
S2_SPI_READ_DIR	Level shifter	PD29	Direction pin of the level shifter for SPI communication (MISO) – with external pull-down resistor (high: MCU → sensor, low: sensor → MCU)
S2_GPIO_OE	Level shifter	PA1	Enable pin of the level shifter for GPIO 1 and GPIO2 – with external pull-up resistor (high: disable, low: enable)
S2_GPIO_DIR	Level shifter	PC10	Direction pin of the level shifter for GPIO 1 and GPIO2 – with external pull-up resistor (high: MCU → sensor, low: sensor → MCU)

5.3 Arduino MKR interface

Table 7 Microcontroller pin map of the Arduino MKR interface

Connector	Signal name	MCU pin	Description
P2.1	5Vusb	–	External 5 V supply
P2.2		–	
P2.3	3V3digital	VDDIO	External 3.3 V supply
P2.4	GND	–	Ground line
P2.5	N_RST	NRST	Inverted hardware reset pin of the MCU – with external pull-up resistor
P2.6	UART_TX	PD26	GPIO, MCU's UART Tx-pin
P2.7	UART_RX	PD25	GPIO, MCU's UART Rx-pin
P2.8	I2C_SCL_2	PA4	GPIO, clock pin of I ² C interface – shared with sensor interface 2 for the EEPROM
P2.9	I2C_SDA_2	PA3	GPIO, data pin of I ² C interface – shared with sensor interface 2 for the EEPROM
P2.10	SPI0_MISO	PD20	GPIO, Master Input Slave Output pin of SPI sensor interface
P2.11	SPI0_CLK	PD22	GPIO, clock pin of SPI sensor interface
P2.12	SPI0_MOSI	PD21	GPIO, Master Output Slave Input pin of SPI sensor interface
P2.13	SPI0_CSN	PD12	GPIO, chip select pin of SPI sensor interface
P2.14	PWM6	PA5	GPIO, PWM channel 1 – low side 3
P3.1	Vref	VREF	Reference voltage for analog front ends of the MCU
P3.2	A0	PC0	GPIO, ADC channel 0, analog front end 1 of the MCU
P3.3	A1	PC12	GPIO, ADC channel 1, analog front end 1 of the MCU
P3.4	A2	PE0	GPIO, ADC channel 2, analog front end 1 of the MCU
P3.5	A3	PA19	GPIO, ADC channel 3, analog front end 0 of the MCU

Radar Baseboard MCU7

XENSIV™ 60 GHz radar system platform

5 Microcontroller pin map

Connector	Signal name	MCU pin	Description
P3.6	A4	PB3	GPIO, ADC channel 4, analog front end 0 of the MCU
P3.7	A5	PE4	GPIO, ADC channel 5, analog front end 0 of the MCU
P3.8	A6	PA21	GPIO, ADC channel 6, analog front end 0 of the MCU
P3.9	PWM0	PC22	GPIO, PWM channel 0 – low side 3
P3.10	PWM1	PC21	GPIO, PWM channel 0 – high side 3
P3.11	PWM2	PC20	GPIO, PWM channel 0 – low side 2
P3.12	PWM3	PC19	GPIO, PWM channel 0 – high side 2
P3.13	PWM4	PC18	GPIO, PWM channel 0 – low side 1
P3.14	PWM5	PA23	GPIO, PWM channel 0 – high side 0

5.4 Other pins

Table 8 Microcontroller pin map of other pins

Signal group	Signal name	MCU pin	Description
RGB LED	PWMC1_L0_red	PD3	Red diode of the RGB LED, PWM channel 1 – low side 0
RGB LED	PWMC1_L1_green	PD5	Green diode of the RGB LED, PWM channel 1 – low side 0
RGB LED	PWMC1_L2_blue	PD7	Blue diode of the RGB LED, PWM channel 1 – low side 0
LDO	en_LDO_1	PC30	Enable of LDOs for sensor interface 1
LDO	en_LDO_2	PC31	Enable of LDOs for sensor interface 2

References

- [1] Microchip. (2018, 05). Atmel Studio 7 User Guide. <https://www.microchip.com/content/dam/mchp/documents/atmel-start/Atmel-Studio-7-User-Guide.pdf>
- [2] Microchip. (2020, 12 20). SAM-BA Boot Assistant. <https://www.microchip.com/en-us/development-tool/SAM-BA-In-system-Programmer>

Revision history

Revision history

Document revision	Date	Description of changes
1.00	2019-04-01	Initial version
2.00	2019-05-29	Changed LDOs NCP177 to NCP163 Added signal from sensor interface to level shifter supply
2.10	2019-10-21	Changed connectors in Figure 9 Modified Figure 11 and the corresponding text in section 2.5
2.20	2020-01-29	Updated board number Updated RGB LED status indication in Table 3
2.30	2020-02-05	Updated Figure 9 1V8 pins
2.40	2020-03-23	Updated Figure 9
2.50	2021-05-30	Updated Table 3 in section 4.3
2.60	2022-03-03	Updated Table 8 Updated References section Fixed Misc. typos
2.70	2023-02-14	Miscellaneous document cleanup updates

Trademarks

All referenced product or service names and trademarks are the property of their respective owners.

Edition 2023-02-14

Published by

Infineon Technologies AG

81726 Munich, Germany

**© 2023 Infineon Technologies AG.
All Rights Reserved.**

Do you have a question about this document?

Email: erratum@infineon.com

Document reference

AN_1907_PL32_1907_091519

Important notice

The information contained in this application note is given as a hint for the implementation of the product only and shall in no event be regarded as a description or warranty of a certain functionality, condition or quality of the product. Before implementation of the product, the recipient of this application note must verify any function and other technical information given herein in the real application. Infineon Technologies hereby disclaims any and all warranties and liabilities of any kind (including without limitation warranties of non-infringement of intellectual property rights of any third party) with respect to any and all information given in this application note.

The data contained in this document is exclusively intended for technically trained staff. It is the responsibility of customer's technical departments to evaluate the suitability of the product for the intended application and the completeness of the product information given in this document with respect to such application.

Warnings

Due to technical requirements products may contain dangerous substances. For information on the types in question please contact your nearest Infineon Technologies office.

Except as otherwise explicitly approved by Infineon Technologies in a written document signed by authorized representatives of Infineon Technologies, Infineon Technologies' products may not be used in any applications where a failure of the product or any consequences of the use thereof can reasonably be expected to result in personal injury.

X-ON Electronics

Largest Supplier of Electrical and Electronic Components

Click to view similar products for [Development Boards & Kits - ARM category](#):

Click to view products by [Infineon manufacturer](#):

Other Similar products are found below :

[CY4541](#) [OM13090UL](#) [YR0K77210B000BE](#) [B-U585I-IOT02A](#) [NUCLEO-WL55JC1](#) [ZDSD-Pinboard](#) [LKS32MC034DOF6Q8-k](#)
[LKS32MC077MBS8-K](#) [LKS32MC038Y6P8B-K](#) [LKS32MC071DOC8T8-K](#) [LKS32MC074DOF8Q8-K](#) [LKS32MC071CBT8-K](#)
[LKS32MC038Y6P8-k](#) [Ai-WB2-32S-Kit](#) [GD32E103T-START](#) [GD32L233K-START](#) [XDS601](#) [RP2040-Tiny](#) [M6G2C-256LI](#) [YT37](#)
[LKS32MC033H6P8B-K](#) [VC-02-Kit_EN](#) [Ra-08H-Kit](#) [Hi-12FL-Kit](#) [PB-03M-Kit](#) [Ai-WB2-13-Kit](#) [PB-03F-Kit](#) [Ra-08-Kit](#) [Hi-07SL-Kit](#) [Hi-](#)
[07S-Kit](#) [Ai-WB2-12F-Kit](#) [PB-03-Kit](#) [Hi-12F-Kit](#) [AT-START-F407](#) [E104-BT40-TB](#) [APM32F072VBT6](#) [APM32F091VC MINI](#)
[APM32F407IG-MINIBOARD](#) [APM32F051R8 MINI](#) [GD32FPRT-START](#) [GD32407H-START-1](#) [GD32E503V-EVAL](#) [GD32E507R-START](#)
[GD32403V-START-1](#) [EPC1EVK-ECGPPG\(FS\)](#) [NS4EVKA-LC](#) [ENS1EVKD](#) [.ENS1EVKB](#) [ENS1EVKE](#) [HLK-7621-ALL-SUIT](#)