

# EVAL-1ED44176N01F evaluation board

## 1ED44176N01F Function test board

### About this document

#### Scope and purpose

The gate driver evaluation board EVAL-1ED44176N01F was developed to show the functionalities and key features of Infineon's low-side gate driver with integrated over-current protection, 1ED44176N01F. This application note is a user's guide for the EVAL-1ED44176N01F. It explains the board's hardware, and provides detailed instructions on how to check the functions of the driver IC. The design was tested as described in this document, but not qualified regarding manufacturing, lifetime or over the full range of ambient operating conditions. EVAL-1ED44176N01F is available from Infineon in sampling quantities.

The boards provided by Infineon are subjected to functional testing only.

Owing to their purpose, evaluation boards are not subjected to the same procedures regarding Returned Material Analysis (RMA), Process Change Notification (PCN) and Product Discontinuation (PD) as regular products. The evaluation boards are intended for development support only and should not be used directly as reference designs for volume production.

See Legal Disclaimer and Warnings for further restrictions on Infineon's warranty and liability.

#### Intended audience

- The board is intended to support skilled technicians in a professional laboratory environment during their first steps with the driver.

### Table of Contents

About this document .....	1
Table of Contents.....	1
<b>1 Electrical description.....</b>	<b>2</b>
1.1 Main features.....	2
1.2 Electrical features.....	4
1.2.1 Supply voltage +15 V.....	4
1.2.2 Start-up.....	4
1.2.3 Onboard pulse-signal generator or external input pulse-signal.....	4
1.2.4 Normal operation.....	6
1.2.5 Undervoltage lockout and fault output.....	6
1.2.6 Over-current protection and fault output.....	7
1.3 Pin assignment and test point.....	8
1.4 Schematic.....	9
1.5 Layout.....	10
1.5.1 Assembly drawing.....	10
1.5.2 Top layout .....	11
1.5.3 Bottom layout .....	11
<b>2 Bill of material .....</b>	<b>12</b>
<b>3 References .....</b>	<b>13</b>

Electrical description

# 1 Electrical description

## 1.1 Main features

This evaluation board “EVAL-1ED44176” has been developed to evaluate the key functions of Infineon’s low-side gate driver with built-in over-current protection and enable/ fault output indication. Figure 1 is the block diagram of the board. The board mainly consists of an onboard pulse generator, one 1ED44176N01F to drive a MOSFET (Q1) connected with an adjustable resistance load (potentiometer-R3) and R7, which works as a current-sense resistor to sense the Q1 turn-on current and feed it back to the OCP pin of the driver. If the Q1 turn-on current exceeds 3.5 mA, then the voltage on R7 is higher than 0.5 V. It will trigger the over-current protection of the driver. Rotating the potentiometer (R3) will change the Q1 turn-on current. The two LEDs on the board show the different working statuses of the driver. If the green LED (D2) lights up, it is working in normal operation mode. If the red LED (D1) lights up, it is in fault-condition mode.

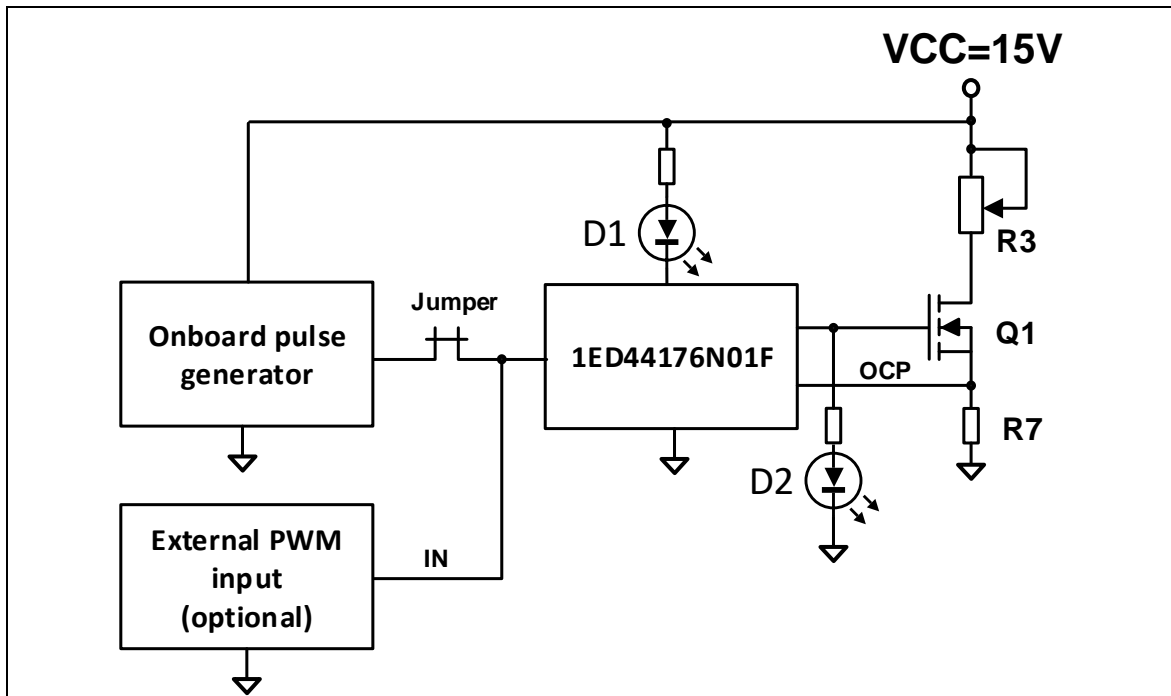


Figure 1 EVAL-1ED44176 block diagram

Figure 2 and Figure 3 show the top view and the overview functionalities on the top side of the EVAL-1ED44176. The size of the board is width x length x height = 33 x 38 x 18 mm<sup>3</sup>.

The evaluation board has an onboard pulse generator circuit, which is made of comparator (IC2), resistors (R8~R12) and capacitors (C5 and C6) to create an input signal with a fixed frequency and duty cycle. We also can use an external pulse generator to create the input signal with different frequencies and duty cycles.

Electrical description



Figure 2 EVAL-1ED44176 top view

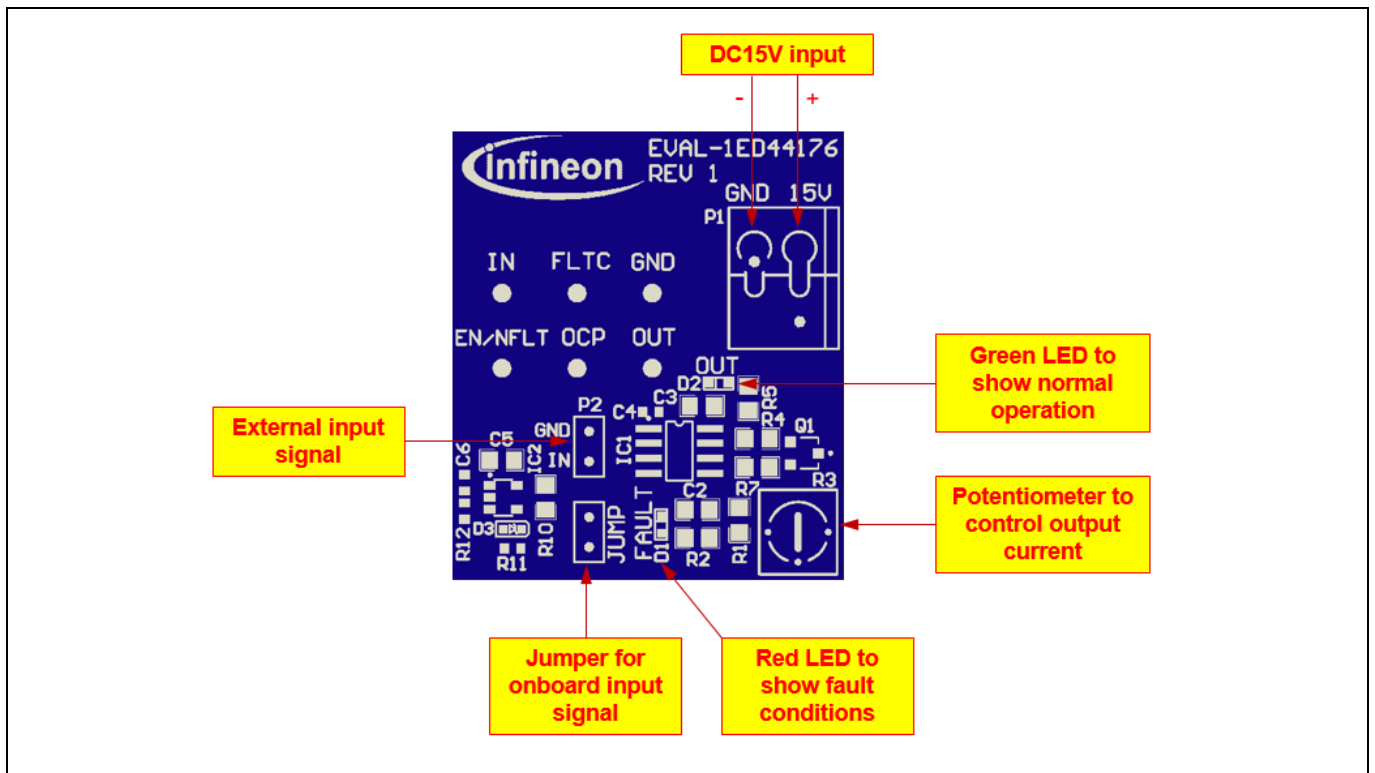


Figure 3 Overview functionalities on top side

Electrical description

## 1.2 Electrical features

### 1.2.1 Supply voltage +15 V

The evaluation board is intended to evaluate the basic functions of 1ED44176N01F quickly. It can work with one stable DC supply voltage (+15 V).

**Table 1 Absolute maximum ratings**

Pin name	Min.	Max.	Units	Definition
15 V	- 0.2	20	V	Supply voltage
IN	- 0.2	VCC	V	Logic input voltage

**Table 2 Recommended operating ratings**

Pin name	Min.	Typ.	Max.	Units	Definition
15 V	14	15	16	V	Supply voltage
IN	0	5	VCC	V	Logic input voltage

The peak voltage of IN pin cannot exceed VCC (15 V pin).

### 1.2.2 Start-up

To start operation, the following steps have to be taken:

- 1) Connect +15 V DC power supply to the “P1” connector, +15 V to the “15 V” pin and ground to the “GND” pin.
- 2) Connect the shorting jumper to the “JUMP” connector to short the two pins.
- 3) Set-up the power supply, voltage  $V = +15\text{ V}$  and current limit  $I = 0.25\text{ A}$ .
- 4) Either the LED (D1) or LED (D2) lights up. If the red LED (D1) lights up, the 1ED44176N01F is working in fault mode. If the green LED (D2) lights up, the 1ED44176N01F is working in normal operation mode.
- 5) The board is now ready for testing.

### 1.2.3 Onboard pulse-signal generator or external-input-pulse signal

The onboard pulse-signal generator generates the input signal for 1ED44176N01F. It is implemented by a comparator (IC2) with a self-oscillation configuration. The output of the comparator is clamped by a 3.3 V Zener diode (D3). The onboard pulse-signal generator circuit and its output waveform are shown in Figure 4 and Figure 5.

If the board uses an external-input-pulse signal, the shorting jumper needs to be disconnected from the “JUMP” connector. The input of the driver is non-inverting input logic, and output is in phase with input.

Electrical description

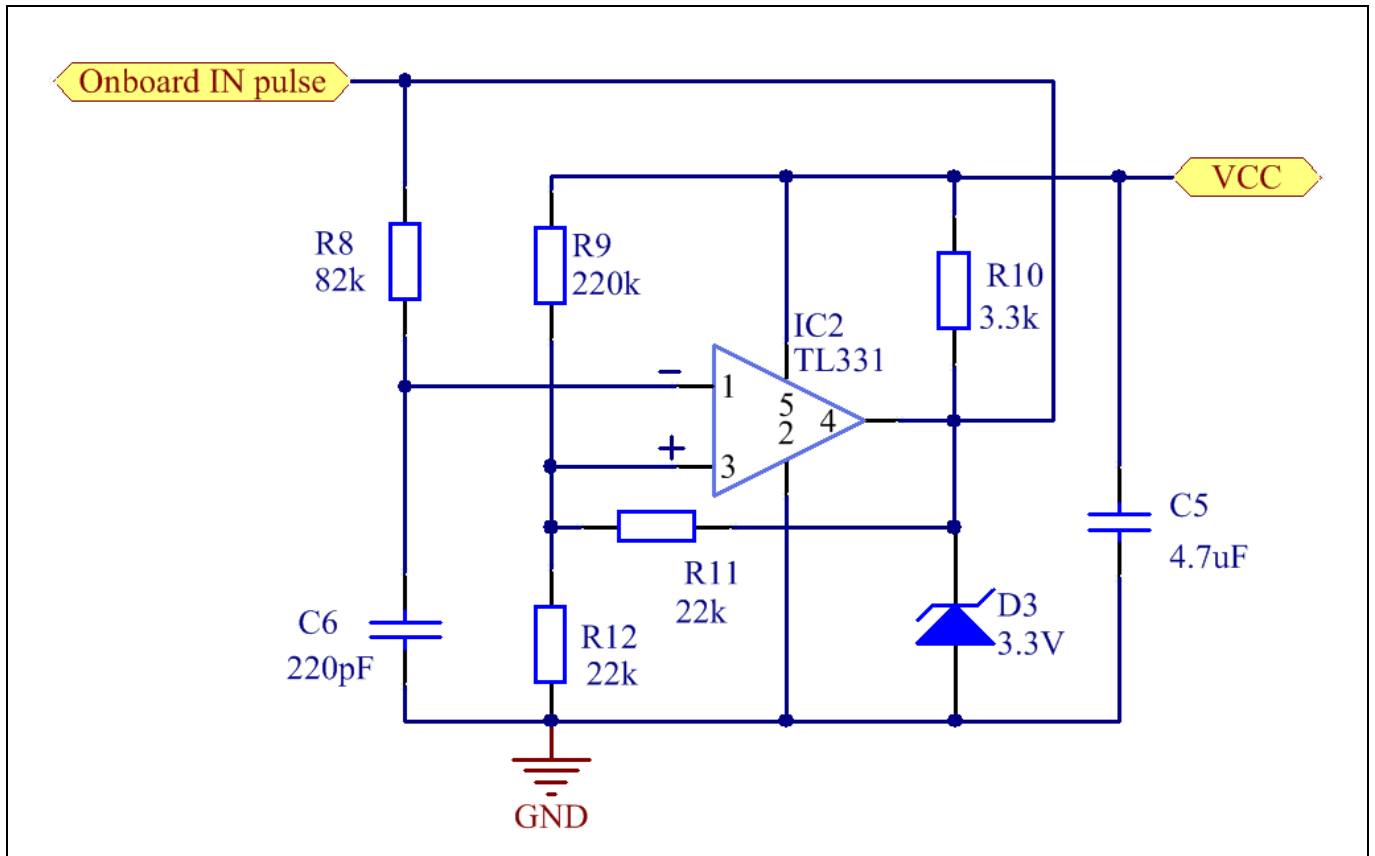


Figure 4 Onboard pulse-signal generator schematic



Figure 5 Onboard pulse-signal generator output (C1: IN)

Electrical description

1.2.4 Normal operation

Rotating the potentiometer (R3) clockwise ensures the green LED (D2) is lit; the 1ED44176N01F is working in normal operation mode (FLTC is low, EN/FLT pin is pulled up.) Figure 6 shows the 1ED44176N01F working in normal operation mode.

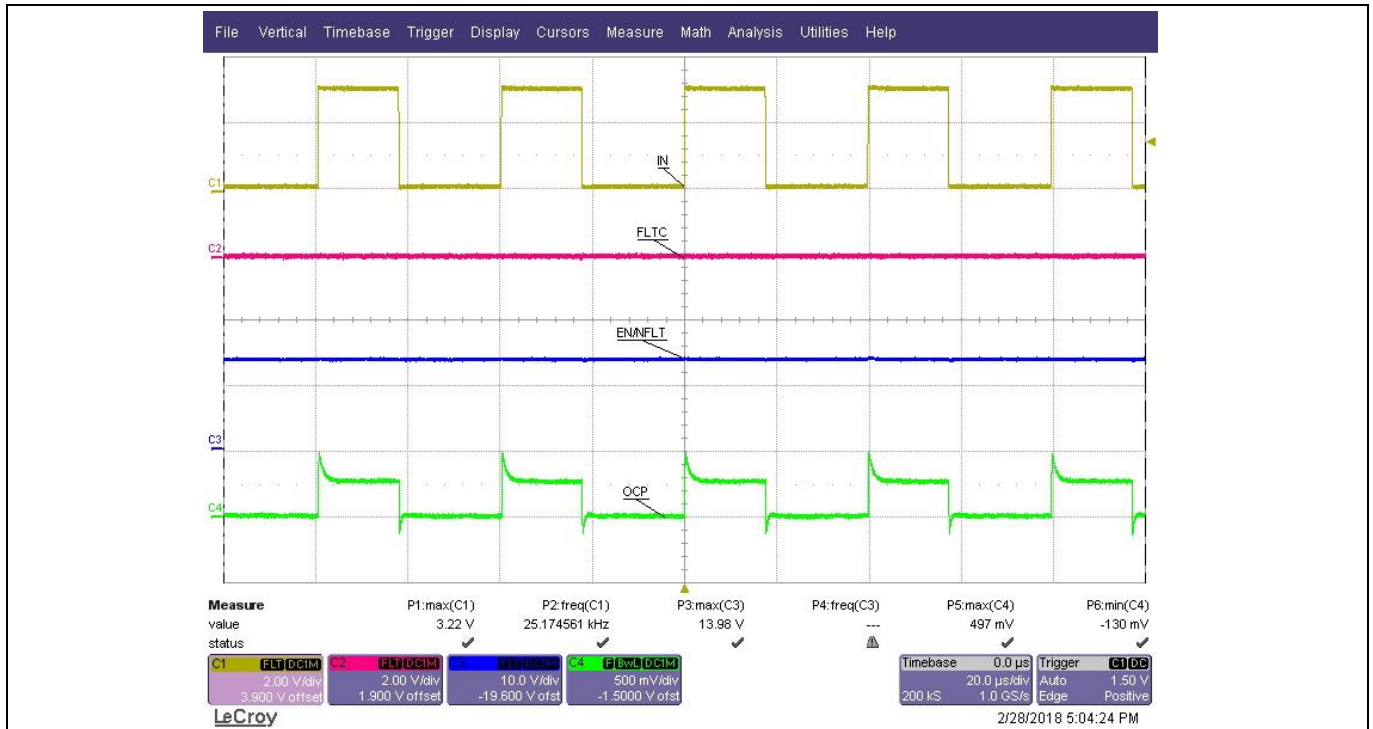


Figure 6 Normal operation (C1: IN, C2:FLTC, C3:EN/NFLT, C4:OCP)

1.2.5 Undervoltage lockout and fault output

The +15V supply is monitored by the 1ED44176N01F. In case of an undervoltage of  $V_{CC} < V_{CCUV}$  (typically 11.4 V) for a DC power supply, the driver output is switched off. At the same time, EN/FLT is internally pulled down. This status is visible from the red FAULT LED. Figure 7 shows the function of undervoltage lockout and fault output.

Electrical description

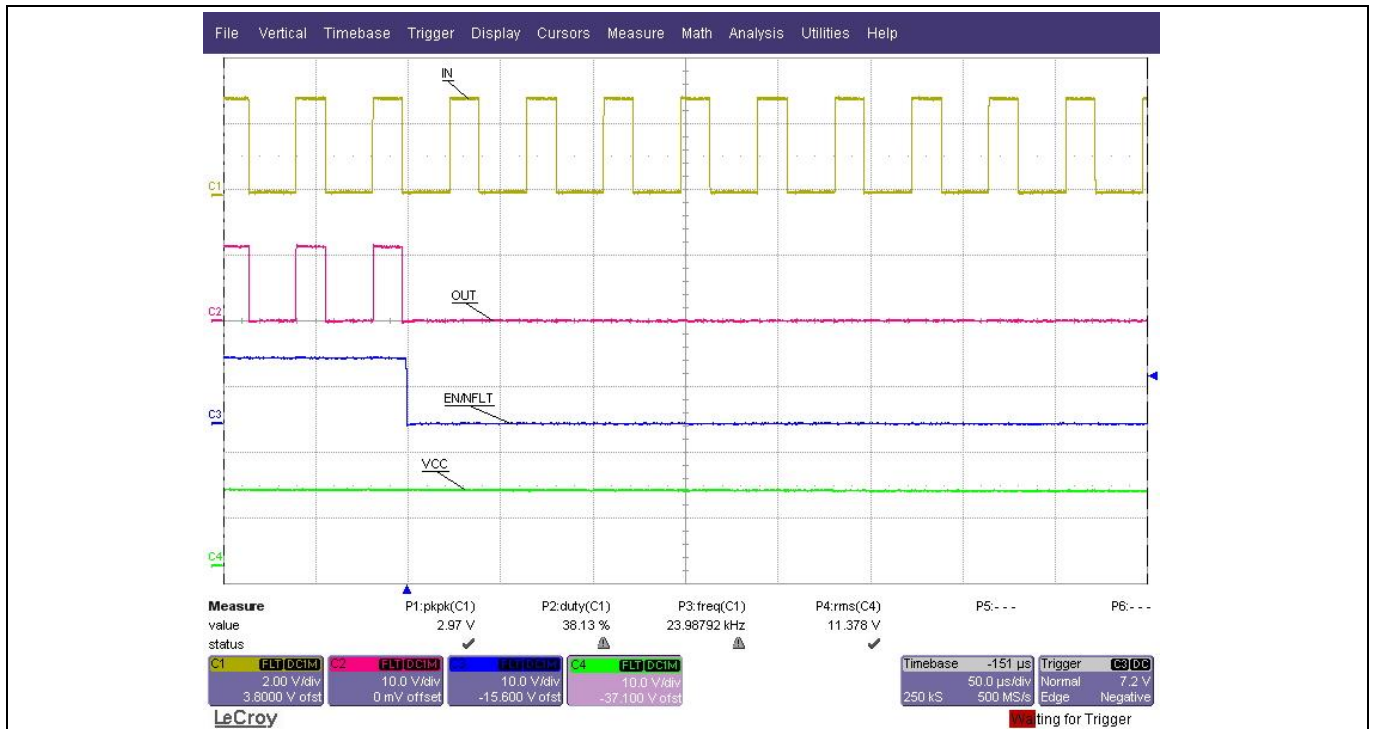


Figure 7 UVLO and fault output (C1: IN, C2:OUT,C3:EN/NFLT, C4:VCC)

### 1.2.6 Over-current protection and fault output

The 1ED44176N01F has an over-current protection function with a threshold  $V_{CSTH}$  (typically 0.5 V) at the OCP pin. The evaluation board offers the opportunity to test this function. The voltage at this pin is the voltage across the current-sense resistor (R7). Rotating the potentiometer (R3) anticlockwise makes sure the red LED (D1) is lit; the 1ED44176N01F is working in over-current protection mode. The driver output is switched off. At the same time, the EN/ $\overline{FLT}$  pin is internally pulled down, and an internal current source charges the capacitor (C3) between FLTC and VSS to program the fault clear time. Figure 8 shows the over-current protection function and fault output.

Electrical description

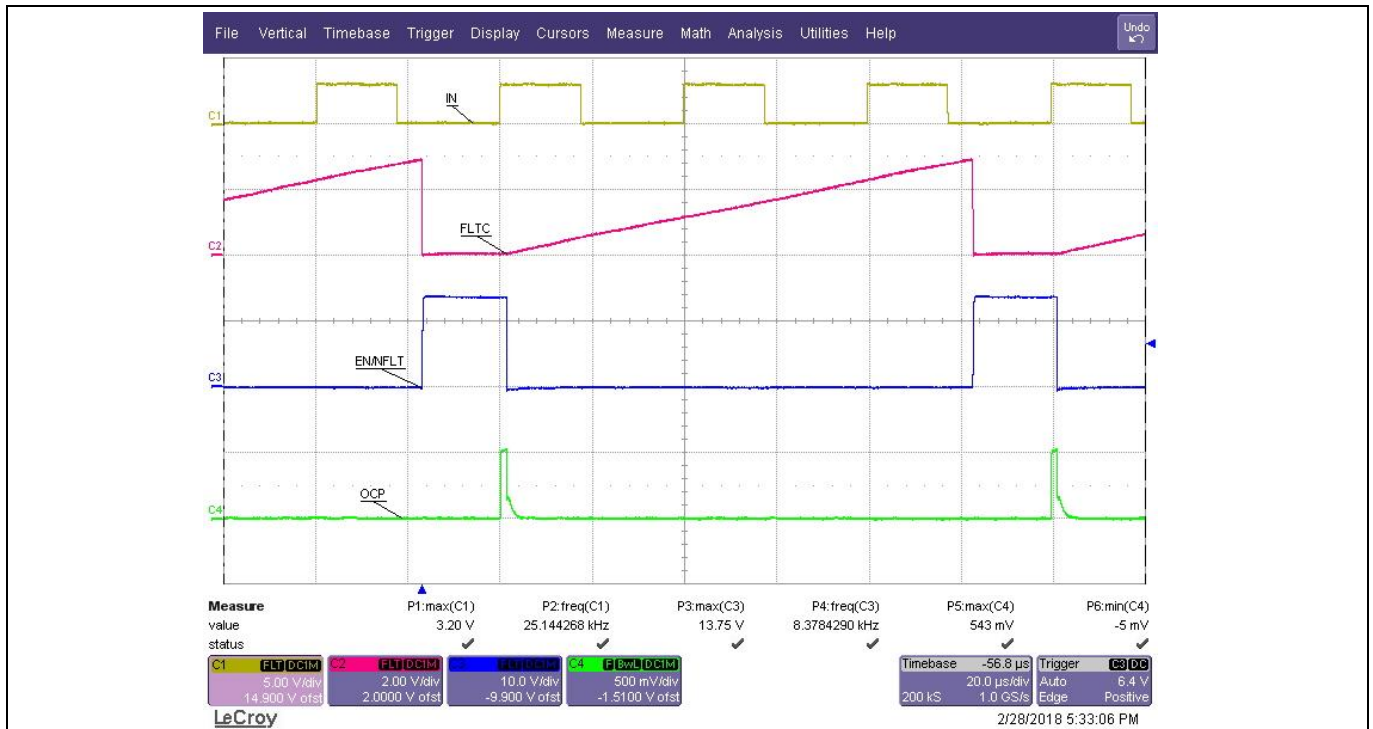


Figure 8 OCP and fault output (C1: IN, C2:FLTC,C3:EN/NFLT, C4:OCP)

### 1.3 Pin assignment and test point

Table 3

Connector name	Pin name	Description
P1	15V	positive 15 V DC power supply
	GND	ground of 15 V DC power supply
P2	IN	external logic input signal “+”
	GND	external logic input signal “ground”
JUMP		connecting shorting jumper to the connector to short the two terminals for on-board pulse-signal generation.

Table 4

Test point name	Description
IN	logic input pin of 1ED44176N01F
FLTC	fault-clear time program pin of 1ED44176N01F
GND	ground of the evaluation board
OUT	gate-drive output pin of 1ED44176N01F
OCP	current-sense input pin of 1ED44176N01F
EN/NFLT	enable and fault reporting pin of 1ED44176N01F





Electrical description

1.5 Layout

1.5.1 Assembly drawing

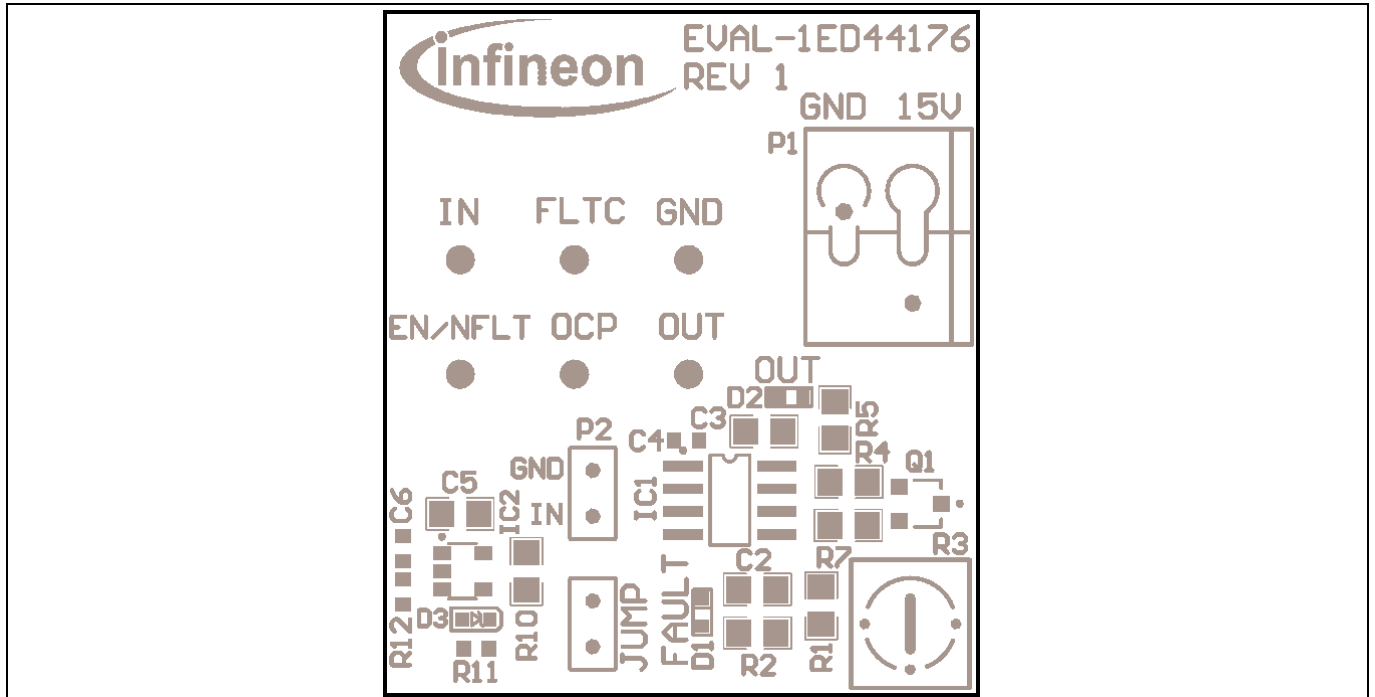


Figure 10 Assembly drawing top view

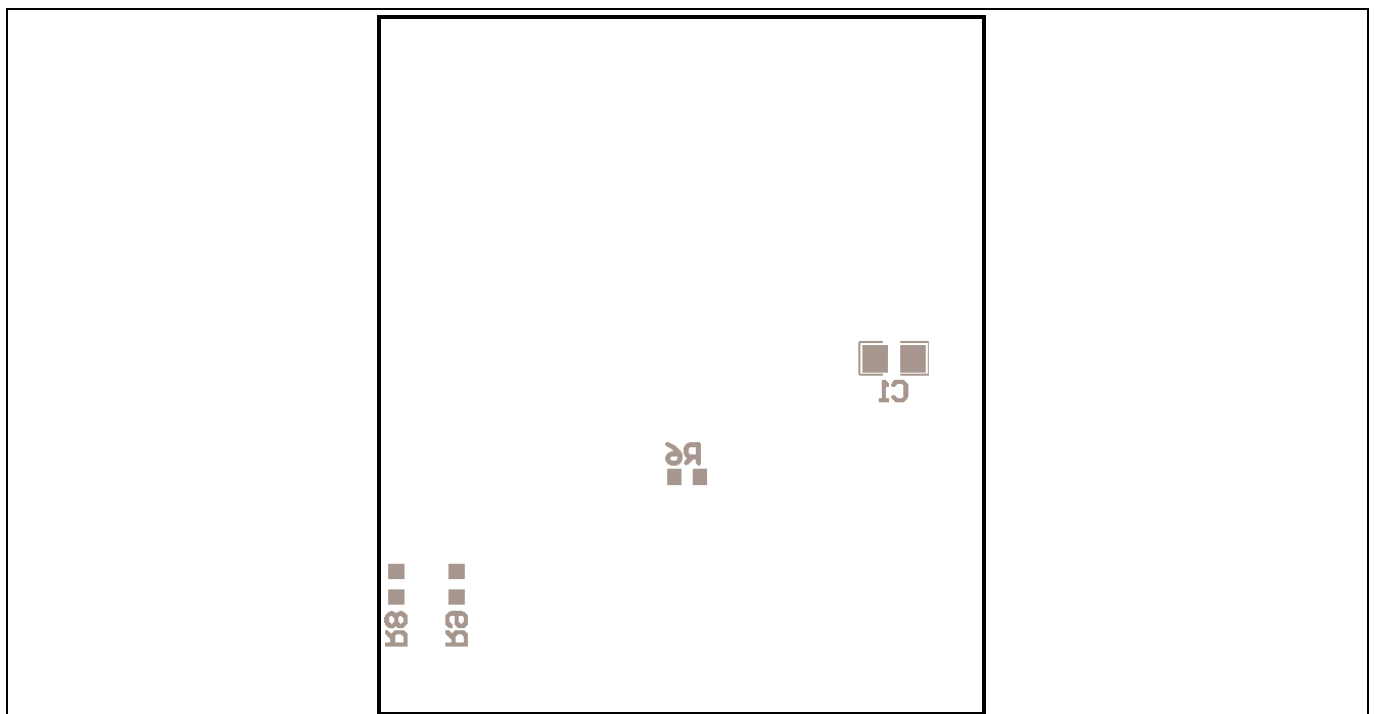


Figure 11 Assembly drawing bottom view

Electrical description

1.5.2 Top layout

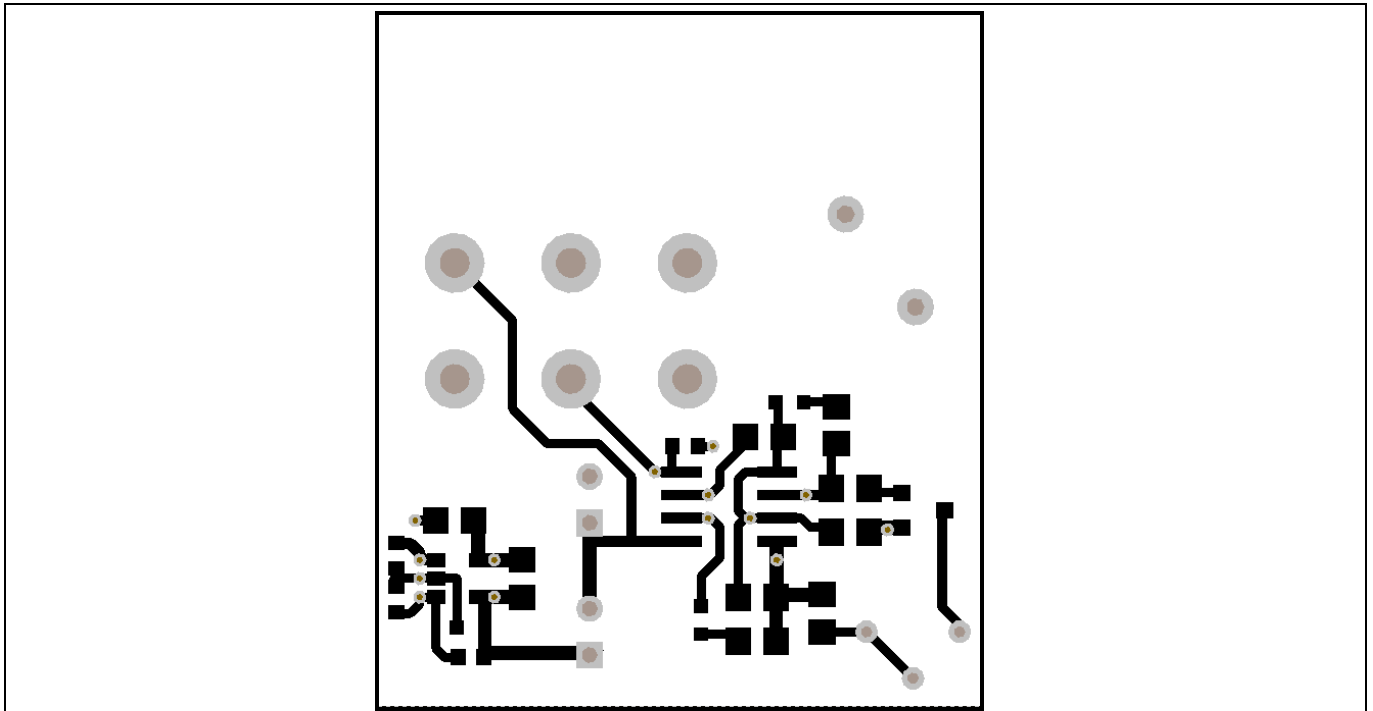


Figure 12 Layout top view

1.5.3 Bottom layout

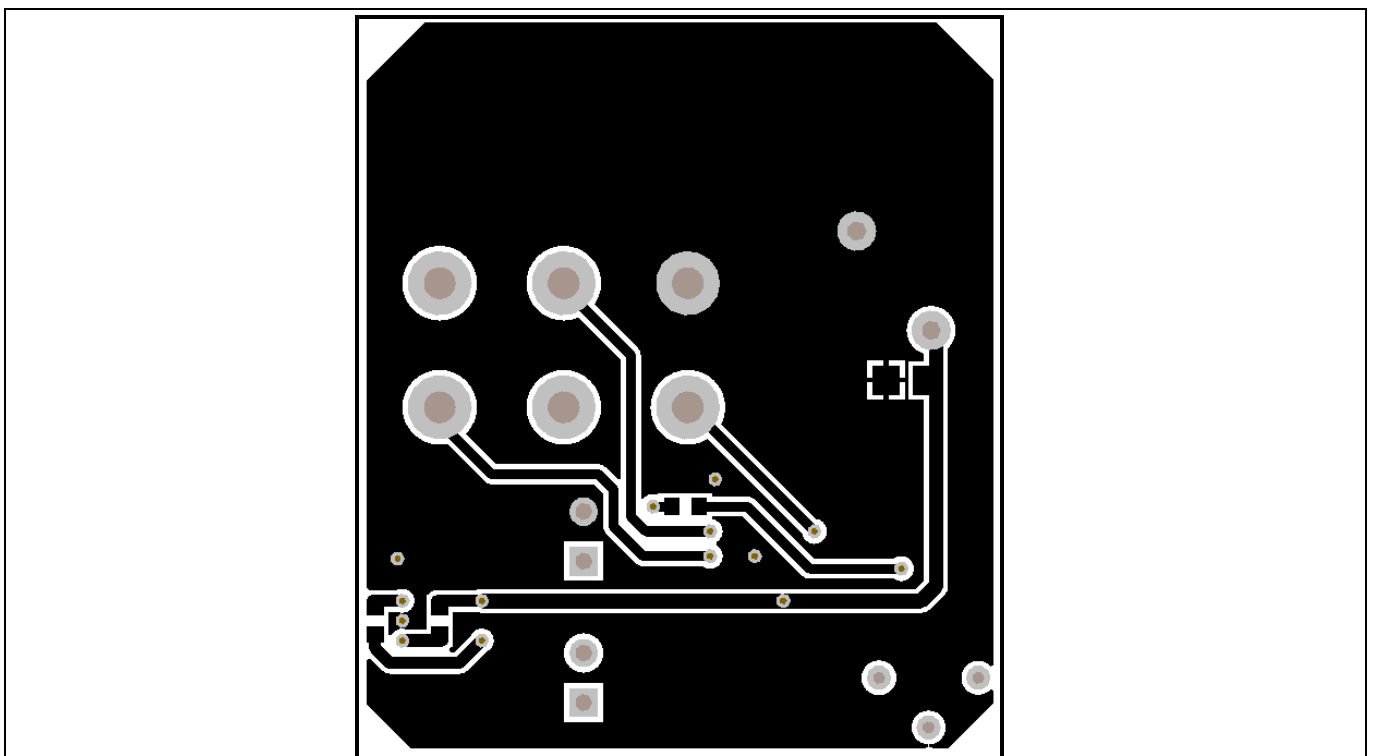


Figure 13 Layout bottom view

Bill of material

## 2 Bill of material

Table 5

Designator	Description	Footprint	Vendor	Part#	Quantity
C1, C2, C5	CAP CER 4.7UF 25V X7R 0805	0805	Yageo	CC0805KKX7R8BB475	3
C3	CAP CER 1000PF 50V NPO 0805	0805	Yageo	CC0805FRNPO9BN102	1
C4	CAP CER 1000PF 25V C0G/NPO 0603	0603	Yageo	CC0603JRNPO8BN102	1
C6	CAP CER 220PF 50V C0G/NPO 0603	0603	Yageo	CC0603JRNPO9BN221	1
D1	LED RED CLEAR 0603 R/A SMD	0603	Lite-On Inc.	LTST-S270EKT	1
D2	LED GREEN CLEAR 0603 R/A SMD	0603	Lite-On Inc.	LTST-S270GKT	1
D3	DIODE ZENER 3.3V 150MW SSMINI2	SC-79	Panasonic	DZ2S033M0L	1
IC1	Low side driver with OCP	SOIC8	Infineon	1ED44176N01F	1
IC2	IC DIFF COMP SINGLE SOT23-5	SOT23-5	TI	TL331IDBVR	1
JUMP, P2	CONN HEADER 20POS .100" SGL GOLD	Through Hole	Samtec Inc	TSW-120-05-G-S	2
P1	TERM BLOCK 2POS 45DEG 3.81MM	Through Hole	Würth Electronics	691412320002	1
Q1	MOSFET N-CH 30V 1.2A SOT-23	SOT-23	Infineon	IRLML2803TRPBF	1
R2, R5	RES SMD 4.7K OHM 1% 1/8W 0805	0805	Yageo	RC0805FR-074K7L	2
R3	TRIMMER 5K OHM 0.5W PC PIN	Through Hole	Bourns Inc.	3362P-1-502TLF	1
R4	RES SMD 22 OHM 1% 1/8W 0805	0805	Yageo	RC0805FR-0722RL	1
R6	RES SMD 750 OHM 1% 1/10W 0603	0603	Yageo	RC0603FR-07750RL	1
R7	RES SMD 150 OHM 1% 1/8W 0805	0805	Yageo	RC0805FR-07150RL	1
R8	RES SMD 82K OHM 1% 1/10W 0603	0603	Yageo	RC0603FR-0782KL	1
R9	RES SMD 220K OHM 1% 1/10W 0603	0603	Yageo	RC0603FR-07220KL	1
R11, R12	RES SMD 22K OHM 1% 1/10W 0603	0603	Yageo	RC0603FR-0722KL	2
R1, R10	RES SMD 3.3K OHM 1% 1/8W 0805	0805	Yageo	RC0805FR-073K3L	2
Test point	TEST POINT PC MINI .040"D BLACK	Through Hole	Keystone Electronics	5001	6
Jumper	SHORTING JUMPER GLD/NICKEL BLUE	Through Hole	3M	929955-06	1

## References

### 3 References

1. [1] Datasheet of 1ED44176N01F, Rev 1.0
2. [2] Application Note AN2018-03 Low - Side Driver with Over Current Protection and Fault/Enable, Rev 1.0

References

Revision history

Major changes since the last revision

Version number	Revision Date	Revision description
1.0	2018-05-25	Create the document V1.0

## Trademarks

All referenced product or service names and trademarks are the property of their respective owners.

### Published by

Infineon Technologies AG  
81726 Munich, Germany

© 2018 Infineon Technologies AG.  
All Rights Reserved.

Do you have a question about this document?

Email: [erratum@infineon.com](mailto:erratum@infineon.com)

### Document reference

### IMPORTANT NOTICE

The information contained in this application note is given as a hint for the implementation of the product only and shall in no event be regarded as a description or warranty of a certain functionality, condition or quality of the product. Before implementation of the product, the recipient of this application note must verify any function and other technical information given herein in the real application. Infineon Technologies hereby disclaims any and all warranties and liabilities of any kind (including without limitation warranties of non-infringement of intellectual property rights of any third party) with respect to any and all information given in this application note.

The data contained in this document is exclusively intended for technically trained staff. It is the responsibility of customer's technical departments to evaluate the suitability of the product for the intended application and the completeness of the product information given in this document with respect to such application.

For further information on the product, technology delivery terms and conditions and prices please contact your nearest Infineon Technologies office ([www.infineon.com](http://www.infineon.com)).

Please note that this product is not qualified according to the AEC Q100 or AEC Q101 documents of the Automotive Electronics Council.

### WARNINGS

Due to technical requirements products may contain dangerous substances. For information on the types in question please contact your nearest Infineon Technologies office.

Except as otherwise explicitly approved by Infineon Technologies in a written document signed by authorized representatives of Infineon Technologies, Infineon Technologies' products may not be used in any applications where a failure of the product or any consequences of the use thereof can reasonably be expected to result in personal injury.

## X-ON Electronics

Largest Supplier of Electrical and Electronic Components

*Click to view similar products for [Power Management IC Development Tools](#) category:*

*Click to view products by [Infineon](#) manufacturer:*

Other Similar products are found below :

[EVAL-ADM1168LQEBZ](#) [EVB-EP5348UI](#) [MIC23451-AAAYFL EV](#) [MIC5281YMME EV](#) [DA9063-EVAL](#) [ADP122-3.3-EVALZ](#) [ADP130-0.8-EVALZ](#) [ADP130-1.2-EVALZ](#) [ADP130-1.5-EVALZ](#) [ADP130-1.8-EVALZ](#) [ADP1712-3.3-EVALZ](#) [ADP1714-3.3-EVALZ](#) [ADP1715-3.3-EVALZ](#) [ADP1716-2.5-EVALZ](#) [ADP1740-1.5-EVALZ](#) [ADP1752-1.5-EVALZ](#) [ADP1828LC-EVALZ](#) [ADP1870-0.3-EVALZ](#) [ADP1871-0.6-EVALZ](#) [ADP1873-0.6-EVALZ](#) [ADP1874-0.3-EVALZ](#) [ADP1882-1.0-EVALZ](#) [ADP199CB-EVALZ](#) [ADP2102-1.25-EVALZ](#) [ADP2102-1.875EVALZ](#) [ADP2102-1.8-EVALZ](#) [ADP2102-2-EVALZ](#) [ADP2102-3-EVALZ](#) [ADP2102-4-EVALZ](#) [ADP2106-1.8-EVALZ](#) [ADP2147CB-110EVALZ](#) [AS3606-DB](#) [BQ24010EVM](#) [BQ24075TEVM](#) [BQ24155EVM](#) [BQ24157EVM-697](#) [BQ24160EVM-742](#) [BQ24296MEVM-655](#) [BQ25010EVM](#) [BQ27411EVM-G1A](#) [BQ3055EVM](#) [NCV891330PD50GEVB](#) [ISLUSBI2CKIT1Z](#) [LM2744EVAL](#) [LM2854EVAL](#) [LM3658SD-AEV/NOPB](#) [LM3658SDEV/NOPB](#) [LM3691TL-1.8EV/NOPB](#) [LM4510SDEV/NOPB](#) [LM5033SD-EVAL](#)