

EVAL-2ED2748S01GM1 for Battery Powered Applications Evaluation Kit User Guide

Used for forklifts, service robots and high-power battery applications

About this document

Scope and purpose

The purpose of this document is to serve as a user guide for evaluating the new 160 V half bridge SOI gate driver from Infineon Technologies – [2ED2748S01G](#). EVAL-2ED2748S01 GM1 for Battery Powered Applications (BPA) evaluation kit consists of a three-phase inverter power board with the 160 V rated 2ED2748S01G (in 3 x 3 10-Lead DFN package) half bridge gate driver driving twelve 100 V rated OptiMOS™ MOSFETs IPTC015N10NM5 (in HDSOP-16 package). The power board has a M1 connector that is used to interface with iMotion™ [Modular Application Design Kit](#) (MADK) control card – [EVAL-M1-101T](#). This control card is powered by [IMC101TF-T048 iMOTION™ Motor Control IC](#) featuring advanced Motor Control Engine (MCE), that enables state-of-the-art Sensorless Field Oriented Control (FOC) without need for any coding. IMC101TF-T048 is a part of the iMOTION™ IMC100 series, which is the next generation of well established iMOTION™ motor control IC platform dedicated to field-oriented control of PMSM (BLDC) motors. The evaluation kit comes with both EVAL-2ED2748S01 GM1 and EVAL-M1-101TF including a USB connector to interface with a laptop having MCE Designer software.

Intended audience

Direct Current (DC) based Motor (BLDC, Servo, Stepper) control system engineers designing battery operated consumer power tools, outdoor power tools, robotics systems, drones, electric bikes and Small Home Appliances such as hair dryers, vacuum cleaners.

Evaluation Board

This board is to be used during the design-in process for evaluating and measuring characteristic curves, and for checking datasheet specifications. This board must be used in laboratory environment by trained power electronic engineers adhering to safety requirements.

Note: PCB and auxiliary circuits are NOT optimized for final customer design.

Note: Boards do not necessarily meet safety, EMI, quality standards (for example UL, CE) requirements.

Ordering information

Base part number	Package	Standard pack		Orderable part number
		Form	Quantity	
EVAL-2ED2748S01GM1	MADK EVAL	Boxed	1	EVAL2ED2748S01GM1
2ED2748S01G	3 x 3 mm DFN10	Tape and Reel	2,500	2ED2748S01GXUMA1
EVAL-M1-101TF	MADK EVAL	Boxed	1	EVALM1101TFTOBO2
IPTC015N10NM5	PG-TSON-8	Tape and Reel	5000	IPTC015N10NM5ATMA1
IFX25001 V33	PG-SOT223-4	Tape and Reel	1000	IFX25001 ME V33

Used for forklifts, service robots and high-power battery applications

Important notice

Important notice

“Evaluation Boards and Reference Boards” shall mean products embedded on a printed circuit board (PCB) for demonstration and/or evaluation purposes, which include, without limitation, demonstration, reference and evaluation boards, kits and design (collectively referred to as “Reference Board”).

Environmental conditions have been considered in the design of the Evaluation Boards and Reference Boards provided by Infineon Technologies. The design of the Evaluation Boards and Reference Boards has been tested by Infineon Technologies only as described in this document. The design is not qualified in terms of safety requirements, manufacturing and operation over the entire operating temperature range or lifetime.

The Evaluation Boards and Reference Boards provided by Infineon Technologies are subject to functional testing only under typical load conditions. Evaluation Boards and Reference Boards are not subject to the same procedures as regular products regarding returned material analysis (RMA), process change notification (PCN) and product discontinuation (PD).

Evaluation Boards and Reference Boards are not commercialized products and are solely intended for evaluation and testing purposes. They shall not be used for reliability testing or production. The Evaluation Boards and Reference Boards may therefore not comply with CE or similar standards (including but not limited to the EMC Directive 2004/EC/108 and the EMC Act) and may not fulfill other requirements of the country in which they are operated by the customer. The customer shall ensure that all Evaluation Boards and Reference Boards will be handled in a way which is compliant with the relevant requirements and standards of the country in which they are operated.

The Evaluation Boards and Reference Boards as well as the information provided in this document are addressed only to qualified and skilled technical staff, for laboratory usage, and shall be used and managed according to the terms and conditions set forth in this document and in other related documentation supplied with the respective Evaluation Board or Reference Board.

It is the responsibility of the customer’s technical departments to evaluate the suitability of the Evaluation Boards and Reference Boards for the intended application, and to evaluate the completeness and correctness of the information provided in this document with respect to such application.

The customer is obliged to ensure that the use of the Evaluation Boards and Reference Boards does not cause any harm to persons or third-party property.

The Evaluation Boards and Reference Boards and any information in this document is provided "as is" and Infineon Technologies disclaims any warranties, express or implied, including but not limited to warranties of non-infringement of third-party rights and implied warranties of fitness for any purpose, or for merchantability.

Infineon Technologies shall not be responsible for any damages resulting from the use of the Evaluation Boards and Reference Boards and/or from any information provided in this document. The customer is obliged to defend, indemnify and hold Infineon Technologies harmless from and against any claims or damages arising out of or resulting from any use thereof.

Used for forklifts, service robots and high-power battery applications

Safety precautions

Infineon Technologies reserves the right to modify this document and/or any information provided herein at any time without further notice.

Safety precautions

Note: Please note the following warnings regarding the hazards associated with development systems

Table 1 Safety precautions

	<p>Warning: The DC link potential of this board is up to 160 VDC. When measuring voltage waveforms by oscilloscope, high voltage differential probes must be used. Failure to do so may result in personal injury or death.</p>
	<p>Warning: The evaluation or reference board contains DC bus capacitors which take time to discharge after removal of the main supply. Before working on the drive system, wait five minutes for capacitors to discharge to safe voltage levels. Failure to do so may result in personal injury or death. Darkened display LEDs are not an indication that capacitors have discharged to safe voltage levels.</p>
	<p>Warning: Remove or disconnect power from the drive before you disconnect or reconnect wires, or perform maintenance work. Wait five minutes after removing power to discharge the bus capacitors. Do not attempt to service the drive until the bus capacitors have discharged to zero. Failure to do so may result in personal injury or death.</p>
	<p>Caution: The heat sink and device surfaces of the evaluation or reference board may become hot during testing. Hence, necessary precautions are required while handling the board. Failure to comply may cause injury.</p>
	<p>Caution: Only personnel familiar with the drive, power electronics and associated machinery should plan, install, commission and subsequently service the system. Failure to comply may result in personal injury and/or equipment damage.</p>
	<p>Caution: The evaluation or reference board contains parts and assemblies sensitive to electrostatic discharge (ESD). Electrostatic control precautions are required when installing, testing, servicing or repairing the assembly. Component damage may result if ESD control procedures are not followed. If you are not familiar with electrostatic control procedures, refer to the applicable ESD protection handbooks and guidelines.</p>
	<p>Caution: A drive that is incorrectly applied or installed can lead to component damage or reduction in product lifetime. Wiring or application errors such as undersizing the motor, supplying an incorrect or inadequate AC supply, or excessive ambient temperatures may result in system malfunction.</p>
	<p>Caution: The evaluation or reference board is shipped with packing materials that need to be removed prior to installation. Failure to remove all packing materials that are unnecessary for system installation may result in overheating or abnormal operating conditions.</p>

Used for forklifts, service robots and high-power battery applications

Table of contents

Table of contents

About this document	1
Important notice	2
Safety precautions	3
Table of contents	4
1 The board at a glance	5
1.1 Scope of delivery	5
1.2 Block diagram.....	5
1.3 Main features	6
1.4 Board parameters and technical data.....	7
1.5 Getting started with EVAL-2ED2748S01G	7
1.5.1 The iMOTION™ control board	8
1.5.2 iMOTION™ development tools and software	9
1.5.3 MCEWizard setup overview.....	9
1.5.4 MCEDesigner setup overview	12
1.6 Description of functional blocks.....	12
1.6.1 Overview of 2ED2748S01G.....	13
1.7 Shoot-through protection.....	14
1.8 Short-Pulse / Noise rejection filters.....	14
1.8.1 Overview of IPTC015N10NM5	15
2 System design	17
2.1.1 DC-link voltage measurement and inrush current limiter.....	17
2.1.2 Inverter section using OptiMOS™ 5 IPTC015N10NM5	17
2.1.3 Drive circuit with 2ED2748S01G	18
2.1.4 Overcurrent protection.....	19
2.1.5 Auxiliary power supply.....	19
2.2 Schematics	20
2.3 Layout.....	20
2.3.1 Layout details.....	20
2.3.2 Layout guidelines	24
2.4 Bill of material	24
2.5 Connector details	26
3 System performance	27
3.1 System setup for running a BLDC motor	27
3.2 The output phase current	27
4 References and appendices	29
4.1 Abbreviations and definitions.....	29
4.2 References	29

The board at a glance

1 The board at a glance

The evaluation board EVAL-2ED2748S01 GM1 is powered by a DC source in the range of 60 V to 84 V and provides a three-phase output to power 1800 W to 3000 W (with heat sink) BLDC motors operating at a nominal 72 V DC bus voltage. It contains the new 160 V, half bridge gate driver IC 2ED2748S01G, the OptiMOS™ IPTC015N10NM5, bus capacitors, a single shunt for current sensing, and other peripheral circuits. The board can also be powered up from a 60 V to 84 V Li-ion battery pack. Before connecting the battery pack, ensure reverse polarity protection and inrush protection is provided to EVAL-2ED2748S01 GM1 board.

1.1 Scope of delivery

The EVAL-2ED2748S01 GM1 evaluation board is delivered along with an iMOTION™ 2.0 M1 interface connector and EVAL-M1-101T control card.

The package also contains a DC-DC buck converter with integrated MOSFET to provide auxiliary power supply of 12 V and 3.3 V; a single shunt for current sensing and overcurrent protection. The board can be operated directly with the DC power supply without any additional components. An inrush current limiter is recommended if operating directly from a battery source.

1.2 Block diagram

Figure 1 shows a typical application diagram of EVAL-2ED2748S01 GM1 for driving a BLDC motor. The system adopts a single-shunt configuration, which is prevalent for current BLDC motor drive applications.

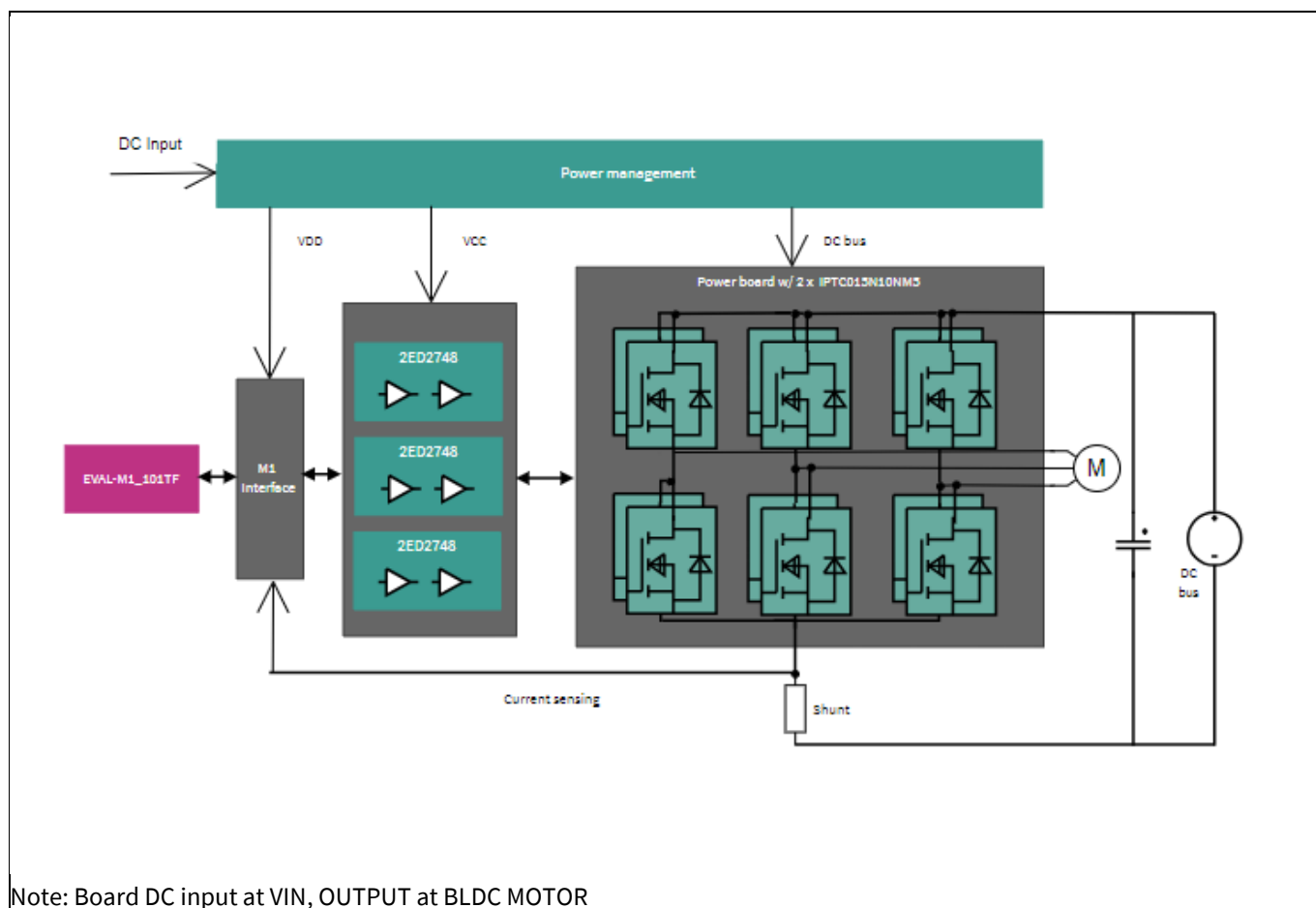


Figure 1 Simplified application block diagram of EVAL-2ED2748S01GM1

The board at a glance

The 2ED2748S01G is a 160 V SOI based gate driver designed for three phase BLDC motor drive applications. Integrated bootstrap diodes are used to supply the external high sides charging bootstrap capacitors. Protection features include under voltage lockout option.

The functional blocks of EVAL-2ED2748S01GM1 BPA Evaluation Kit are presented in Figure 2

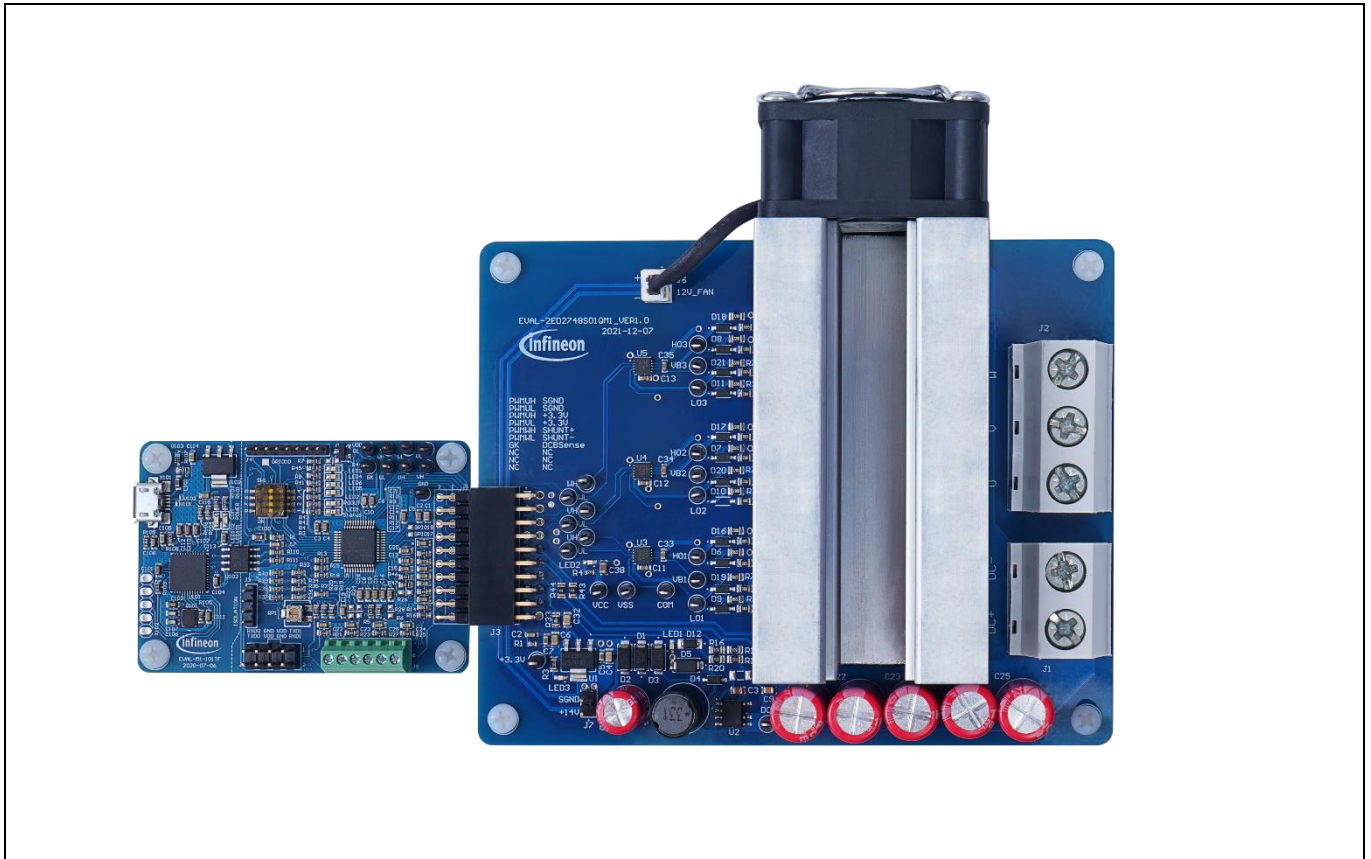


Figure 2 Functional blocks of EVAL-2ED2748S01 GM1 BPA Evaluation Kit (top view) w/o heatsink

1.3 Main features

The main features of EVAL-2ED2748S01 GM1 include:

- Nominal DC input voltage of 72 V
- Design for maximum 3000 W motor power output (with added heatsink / forced air cooling)
- Single shunt for current sensing
- Sensing of DC-link voltage
- +12 V and +3.3 V auxiliary power supplies on the board
- M1 interface compatible with the iMOTION™ control board
- **Over-current protection provided via MADK control card**
- Integrated shoot-through protection with built-in dead time

The board at a glance

1.4 Board parameters and technical data

The key specifications of EVAL-2ED2748S01 GM1 are listed in Table 2.

Table 2 Specifications of EVAL-2ED2748S01 GM1

Parameter	Symbol	Conditions	Value			Unit
			Min.	Nom.	Max.	
Input						
Input voltage	V_{IN}	DC voltage	60	72	84	V
Input current	I_{IN}	Input current	-	-	30	Arms
Output						
Output current	I_{OUT}	RMS phase-out current	-	-	35	Arms
Output power	P_{OUT}	With fan on / forced cooling	1800	2100	3000	W
Switching frequency						
Inverter carrier frequency	F_{SW}		-	23	-	kHz
Auxiliary power supply						
Fan power supply			-	12	-	V
Controller power supply			-	3.3	-	V
System environment						
Ambient temperature		With adequate cooling method	-	25	-	°C
PCB characteristics						
Dimensions	L	Length	-	120	-	mm
	W	Width	-	82	-	mm
	H	Height	-	45	-	mm
Layer			-	4	-	
PCB thickness			-	1.6	-	mm
Copper thickness			-	4	-	oz.
Material		FR-4, RoHS-compliant				

Note: The evaluation board is designed to evaluate the parameters of 2ED2748S01G half bridge gate driver IC. The board does not have over temperature protection and care should be taken System and functional description

1.5 Getting started with EVAL-2ED2748S01G

To run the motor system, a combination of the power board EVAL-2ED2748S01 GM1 and a matching iMOTION™ control board (e.g., EVAL-M1-101T) are required. This chapter explains how to set up the system and get started with the iMOTION™ development platform.

The power board EVAL-2ED2748S01 GM1 can run a BLDC motor by connecting to the iMOTION™ 2.0 control board EVAL-M1-101T through an M1 interface. The system connection is shown in Figure 3, and the test results are listed in Section 3.1.

The board at a glance

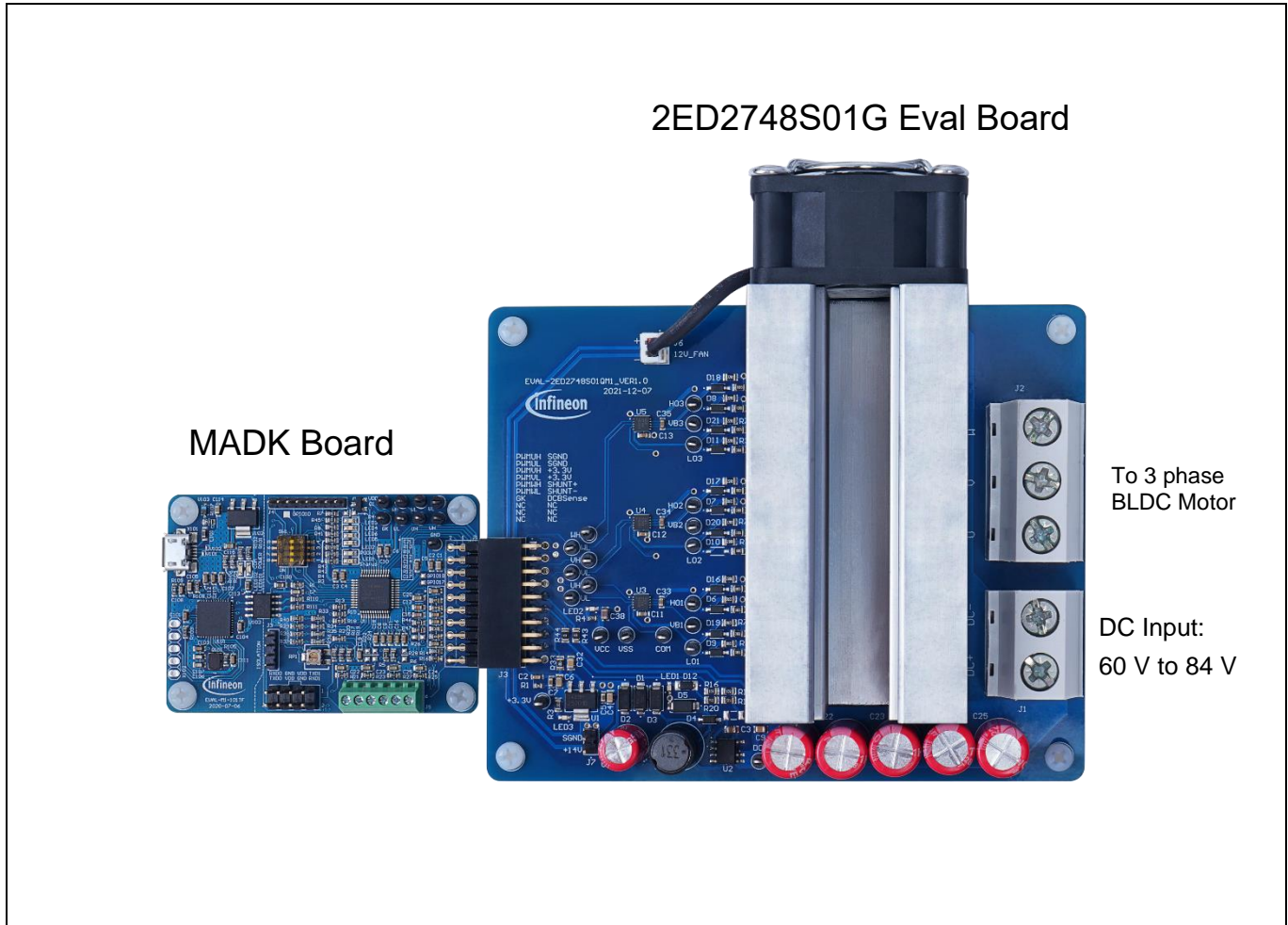


Figure 3 The system connection for running a BLDC motor with Heatsink

1.5.1 The iMOTION™ control board

The latest IMC101T-T038 MCE software package can be downloaded from www.infineon.com/imotion-software. With EVAL-M1-101T and the latest software, connect your PC to the control board via a USB cable to program and tune it.

1. Connect EVAL-M1-101T's M1 20-pin interface connector J2 to the EVAL-2ED2748S01 GM1 board connector J3.
2. In the MCEWizard, enter the system and operating parameters of the target motor and the hardware parameters of the evaluation board. This data is used for calculating the digital parameter set of the controller, representing the complete motor drive system.
3. Go to the Verify & Save page and click **Calculate Parameters**. Then, save the drive parameter set into your project directory by clicking **Export to MCEDesigner file (.txt)** (see Figure 6). This saved drive system parameter file will be used later by the MCEDesigner. Refer to Section 2.1.4 or the MCEWizard user guide for more information.
4. Connect motor phase outputs (J2 on the EVAL-2ED2748S01 GM1 board) to the motor.
5. Connect DC input to the power input connector (J1 on the EVAL-2ED2748S01 GM1 board), then power on the system. Note the
6. Start the MCEDesigner tool.
7. Click **File > Open** to open the MCEDesigner default configuration file (.irc) for the IMC101T-T038 controller (IMC101T_Vxxx.irc). The IMC101T_Vxxx.irc file is included in the IMC101T-T038 MCE software package.

The board at a glance

8. The MCEDesigner should automatically connect to the EVAL-M1-101T control board using the default COM port (indicated by a green circle next to the “COMx Up” status in the bottom frame of the MCEDesigner GUI). If the connection cannot be established, change the COM port as follows:
 - a) Open the System Page window.
 - b) Click **Preferences > Connection > Connect using**.
 - c) Choose one of the other available COM ports from the drop-down list.
9. Program the system parameters into the internal SRAM of the iMOTION™ IC using the following steps:
 - a. Click **Tools > Programmer** and select **Program Parameters**.
 - b. Browse and select the System Drive Parameters file created in step 3. See Section 2.1.4 for more information.
10. Start the motor by clicking the green traffic light button in the control bar. To stop the motor, click the red traffic light button in the control bar.

1.5.2 iMOTION™ development tools and software

The EVAL-2ED2748S01 GM1 evaluation board can run a BLDC motor when connected to an external control board EVAL-M1-101T. Users must configure the iMOTION™ development tool and software according to the system and BLDC motor parameters.

The MCEDesigner and MCEWizard are based on MCEDesigner v2.3.1 and MCEWizard v2.3.1 and can be downloaded together with supported files from <http://www.infineon.com/imotion-software>.

A review of references [10] to [16], on [page 45](#) will provide a deeper understanding of the overall iMotion™ ecosystem.

1.5.3 MCEWizard setup overview

Use the MCEWizard to configure the parameters for the evaluation board or motor. Figure 4 shows the Welcome page of the MCEWizard. Here, users can select the control board or power board from a drop-down list. Infineon releases new control and power boards regularly. Therefore, it is possible that some of the latest power boards have not been pre-configured in the MCEWizard tool and cannot be selected from the drop-down menu. In that case, users can select another power board (as similar as possible) and follow the setup steps in the MCEWizard by entering parameters specific to the power board chosen. Please refer to the application note of the corresponding power board for additional information.

After selecting the modular application design kit (MADK) control board and the power board, click **Next** in the right-hand bottom corner of the Welcome page to start the MCEWizard system setup process.

The board at a glance



Figure 4 Welcome page of the MCEWizard

The iMOTION™ system enables users to easily test different combinations of control and power boards with their motors. Users should be familiar with system-level parameters related to the motor used. There are a limited number of parameters specific to the control board or power board hardware. Table 3 lists the hardware parameters specific to the EVAL-2ED2748S01 GM1 power board for MCEWizard setup. Similar tables are available for each control board in its application note. A combination of data in this table and the corresponding table of the control board provides sufficient information to set up the motor drive system quickly.

Table 3 MCEWizard setup overview table

Parameter	Value
Control board selecting	EVAL-M1-101TF for example
Motor 1 shunt configuration	Single shunt
Controller supply voltage	+3.3 V
Max DC bus voltage	84 V
DC bus sensing high resistor	300 kΩ
DC bus sensing low resistor	4.7 kΩ
NTC temperature shutdown value	Refer to the control board's application note [6]
Gate sense low-side devices	High is true
Gate sense high-side devices	High is true
Motor 1 current input scaling	Calculated in the corresponding section of the control board's application note [6]

After all the MCEWizard questions are answered, the Verify & Save page opens (see Figure 5.)

The board at a glance

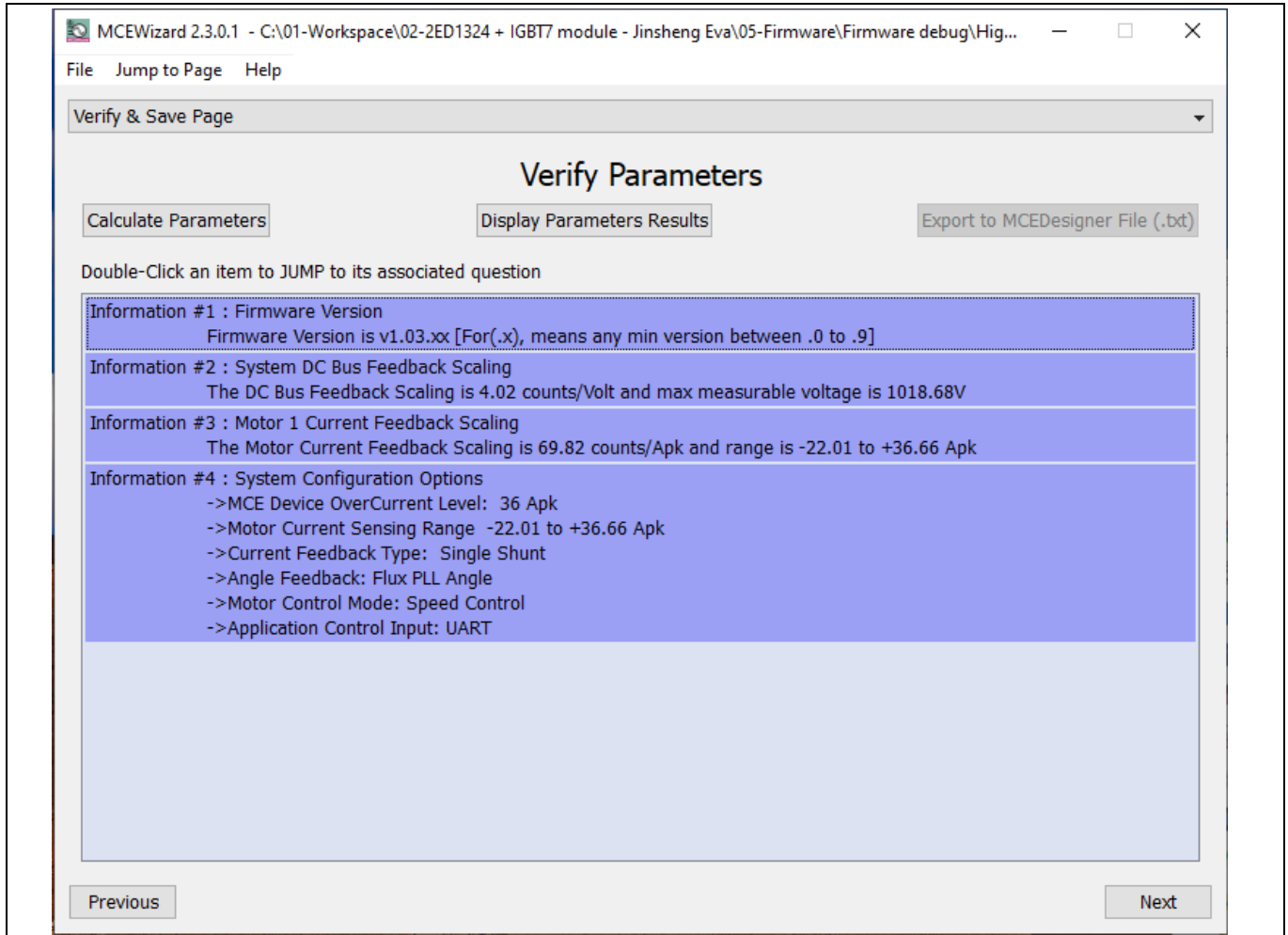


Figure 5 Verify & Save page of the MCEWizard.

Click **Calculate Parameters** and then **Export to MCEDesigner File (.txt)** to save the parameter file. This file will be used by the MCEDesigner in the next steps.

The board at a glance

1.5.4 MCEDesigner setup overview

The MCEDesigner is a user interface to access or debug the control board. Open the MCEDesigner and then open the IMC101T_xx.irc file. The main display page for EVAL-M1-101T opens, as shown in Figure 6.

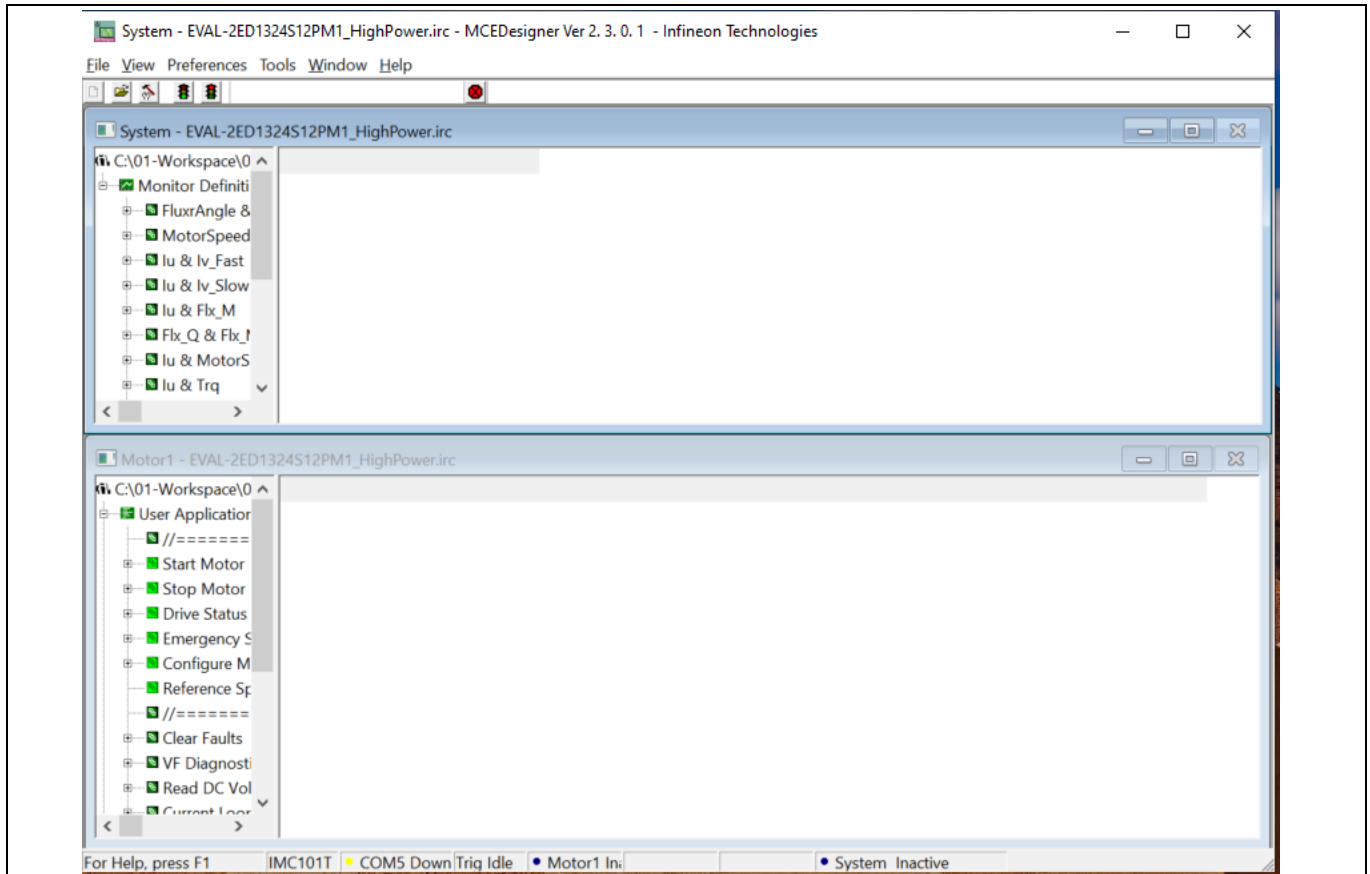


Figure 6 MCEDesigner’s main display for EVAL-M1-101T

After the drive system parameter file has been programmed into the IMC101 controller, and the motor drive system powered, the MCEDesigner can be used to start/stop the motor, display motor current traces, change the motor speed, modify drive parameters, and perform many other functions. Please refer to the MCEDesigner documentation [8] for more details.

1.6 Description of functional blocks

The motor inverter in EVAL-2ED2748S01 GM1 hardware design is implemented by the new 160 V SOI three half bridge gate drivers 2ED2748S01G and twelve OptiMOS™ 100 V N-Channel MOSFETs - IPTC015N10NM5. The auxiliary power supply is derived from a high voltage DC-DC buck converter providing 12 V followed by a LDO providing the 3.3 V required to power the iMotion™ IMC101T microcontroller.

The board at a glance

1.6.1 Overview of 2ED2748S01G

Figure 7 shows the functional block diagram of 2ED2748S01G. For more information such as static and dynamic electrical characteristics of the gate driver, please refer to the datasheet of 2ED2748S01G.

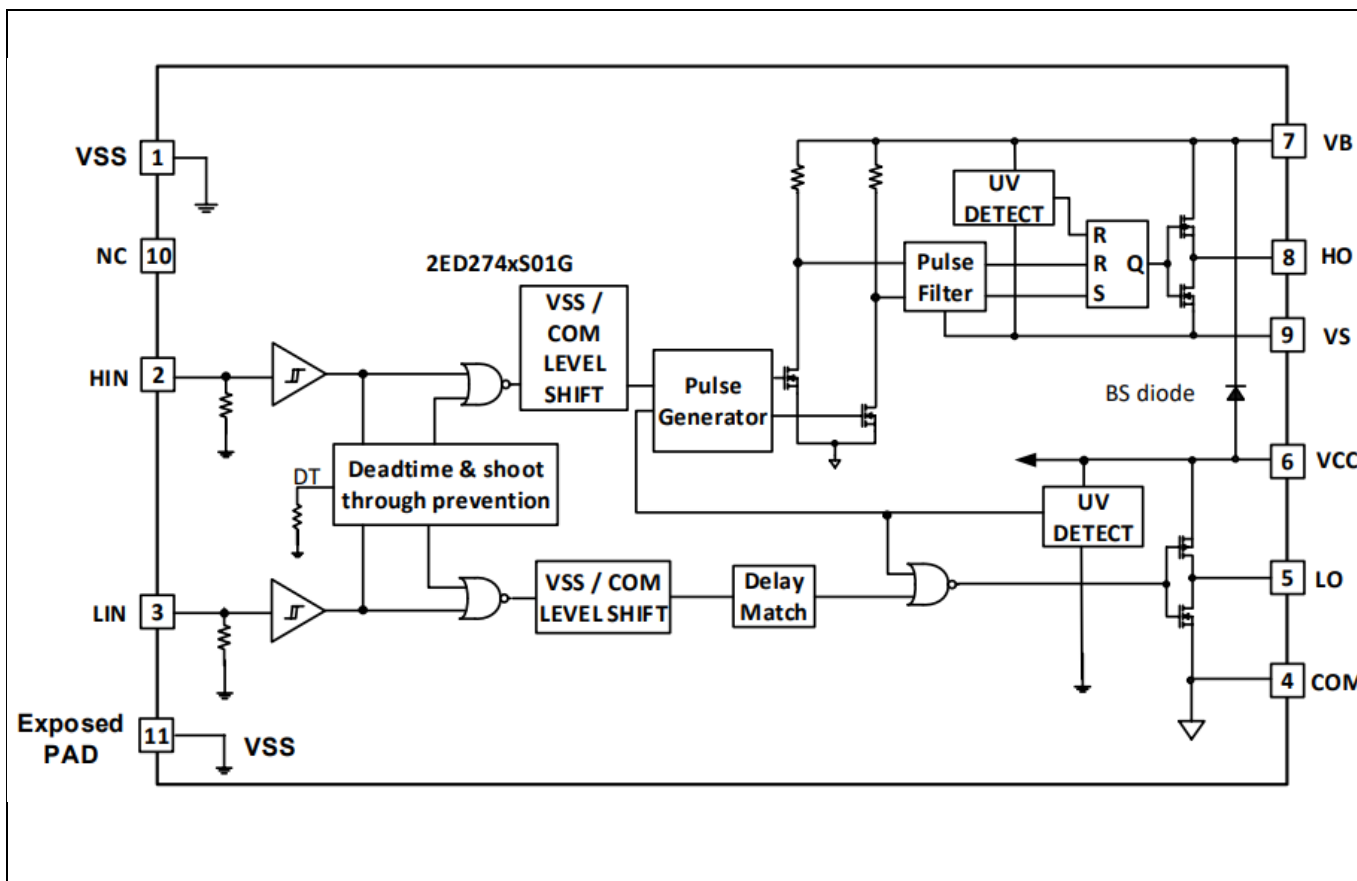


Figure 7 Functional block diagram of 2ED2748S01G

The main features of 2ED2748S01G include:

- Bootstrap voltage (VB node) of +160 V
- **High drive current - 4 A source, 8 A sink**
- Floating channel designed for bootstrap operation
- Integrated low R_{ON} , ultra-fast bootstrap diodes
- Independent under voltage lockout for both high and low side
- Integrated shoot-through protection with built-in dead time
- 3.3 V, 5 V input logic compatible, outputs in phase with inputs
- Available in small footprint DFN 10 lead, 3x3 mm package
- 2.5kV HBM ESD, RoHS compliant

Table 4 Absolute maximum ratings of 2ED2748S01G

Symbol	Definition	Min.	Max.	Units
V_B	High-side floating well supply voltage (Note 1)	-0.3	160	V
V_S	High-side floating well supply return voltage	-0.3	140	
V_{BS}	Bootstrap supply range	-0.3	20	
V_{HO}	Floating gate drive output voltage	$V_S - 0.3$	$V_B + 0.3$	
V_{CC}	Low side supply voltage	-0.3	20	

The board at a glance

V_{LO}	Low-side output voltage	-0.3	$V_{CC} + 0.3$	
$V_{LOGIC\ IN}$	Logic input voltage (HIN, LIN)	-0.3	5	
COM	Low side power ground return	-5.0	+5.0	
dV_S/dt	Allowable V_S offset supply transient relative to COM	—	50	V / ns
P_D	Package power dissipation @ $T_A \leq +25^\circ\text{C}$	3 x 3 mm VSON-10	2	W
$R_{th\ JA}$	Thermal resistance, junction to ambient	3 x 3 mm VSON-10	57	$^\circ\text{C/W}$
T_J	Junction temperature	—	150	$^\circ\text{C}$
T_s	Storage temperature	-50	150	
T_L	Lead temperature (soldering, 10 seconds)		260	
I_{O+}	Peak output current turn-on ²		4	A
I_{O-}	Peak output current turn-off ²		8	A

Note 1: In case $V_{CC} > V_B$ there is an additional power dissipation in the internal bootstrap diode between pins V_{CC} and V_B .

Note 2: $PW < 10\ \mu\text{s}$, Not subjected to production test, verified by characterization.

1.7 Shoot-through protection

The 2ED2748S01G is equipped with shoot-through protection circuitry (also known as cross-conduction prevention circuitry). Figure 8 shows how this protection circuitry prevents both the high- and low-side switches from conducting at the same time.

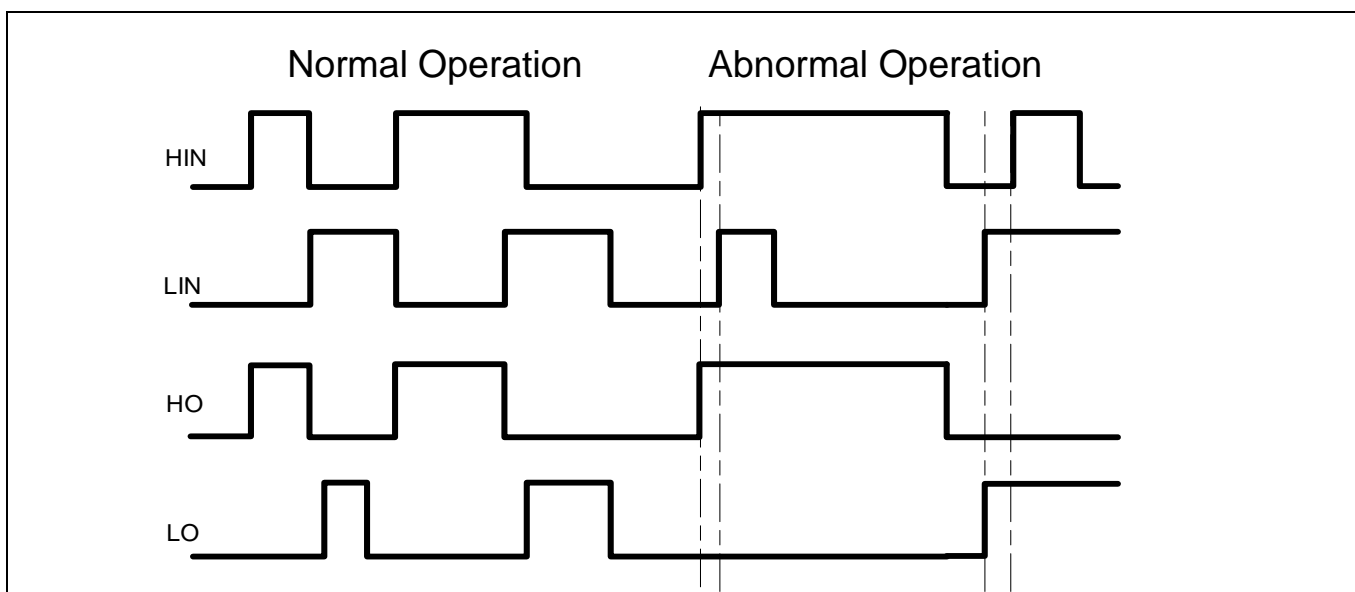


Figure 8 Illustration of shoot-through protection circuitry

1.8 Short-Pulse / Noise rejection filters

This device's input filter provides protection against short pulses (e.g., noise) on the input lines. If the duration of the input signal is less than $t_{FIL,IN}$, the output will not change states. Example 1 of Figure 9 shows the input and output in the low state with positive noise spikes of durations less than $t_{FIL,IN}$; the output does not change states. Example 2 of Figure 9 shows the input and output in the high state with negative noise spikes of durations less than $t_{FIL,IN}$; the output does not change states.

The board at a glance

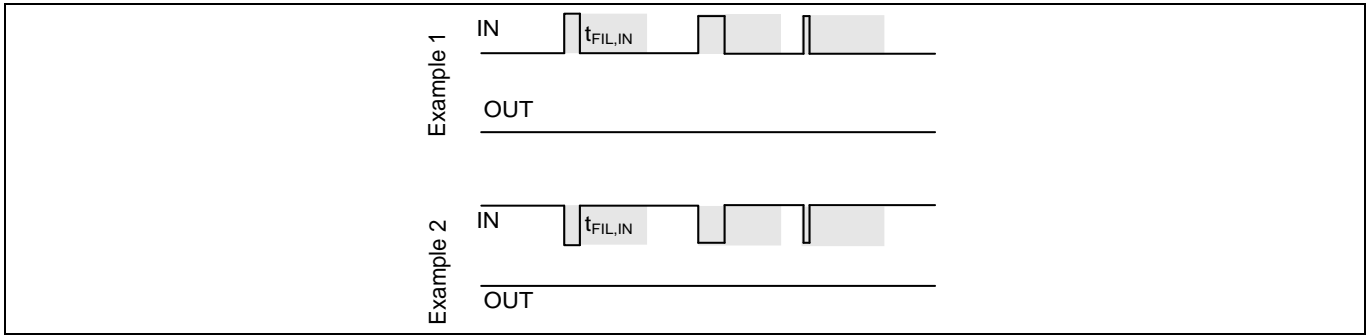


Figure 9 Noise Rejecting Input Filters

1.8.1 Overview of IPTC015N10NM5

The IPTC015N10NM5 is a 100 V rated N-Channel OptiMOS™ 5 power MOSFET. It was mainly chosen for its HDSOP-16 package and its excellent gate charge $\times R_{DS(on)}$ product Figure of Merit (FOM).

Figure 10 shows the key features of IPTC015N10NM5. For more information about the MOSFET, please refer to the datasheet of IPTC015N10NM5.

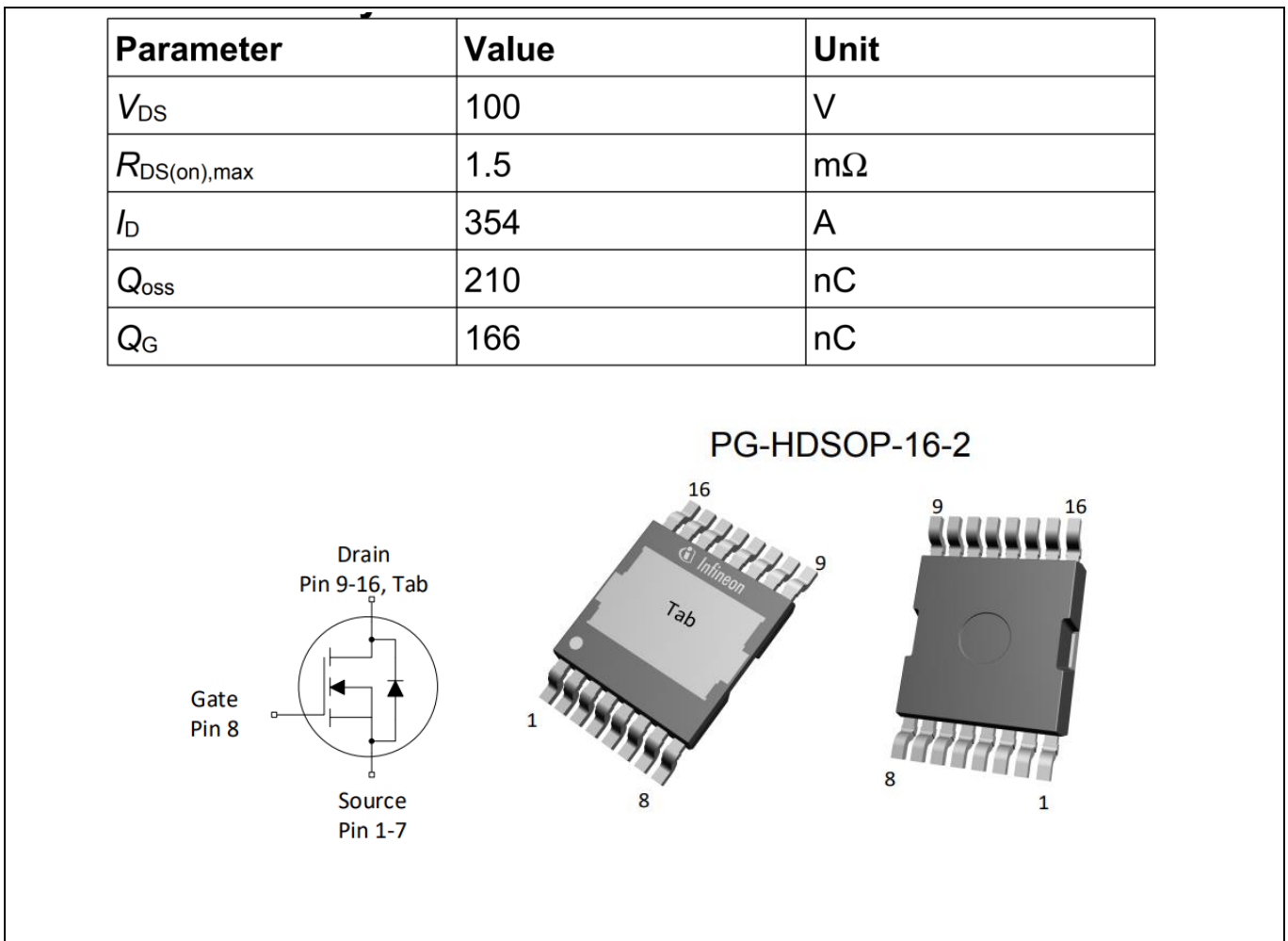


Figure 10 Key features of IPTC015N10NM5

The board at a glance

The typical gate charge characteristics and typical capacitances of IPTC015N10NM5 are shown in Figure 11.

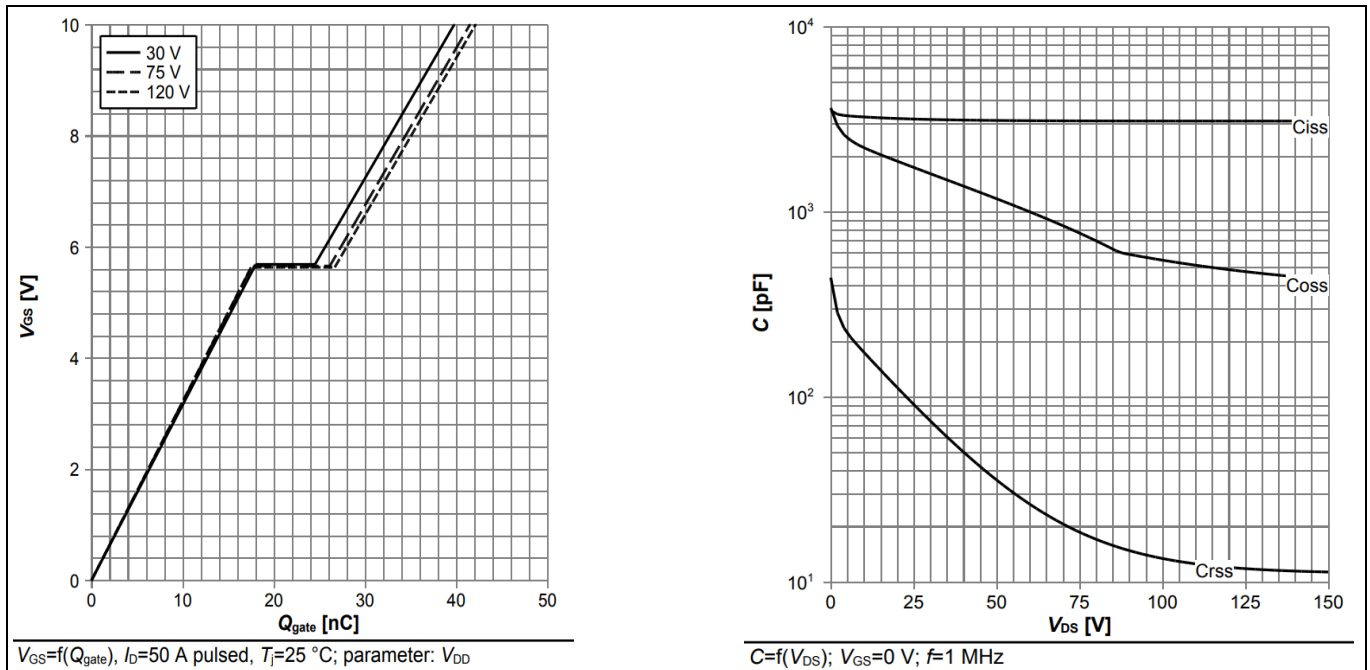


Figure 11 IPTC015N10NM5 typical characteristics

A review of references [8] and [9], on [page 45](#) will provide a deeper understanding of the features of OptiMOS™ 5 technology and its benefits in low voltage high power motor drive applications.

System design

2 System design

This chapter covers the hardware design of EVAL-2ED2748S01 GM1 in detail. Users can modify the circuit or re-select the component values based on actual applications in the field.

2.1.1 DC-link voltage measurement and inrush current limiter

Bus capacitors should be large enough to stabilize the bus voltage. If powered from directly from a battery, appropriate inrush current limiter and reverse protection circuitry must be used.

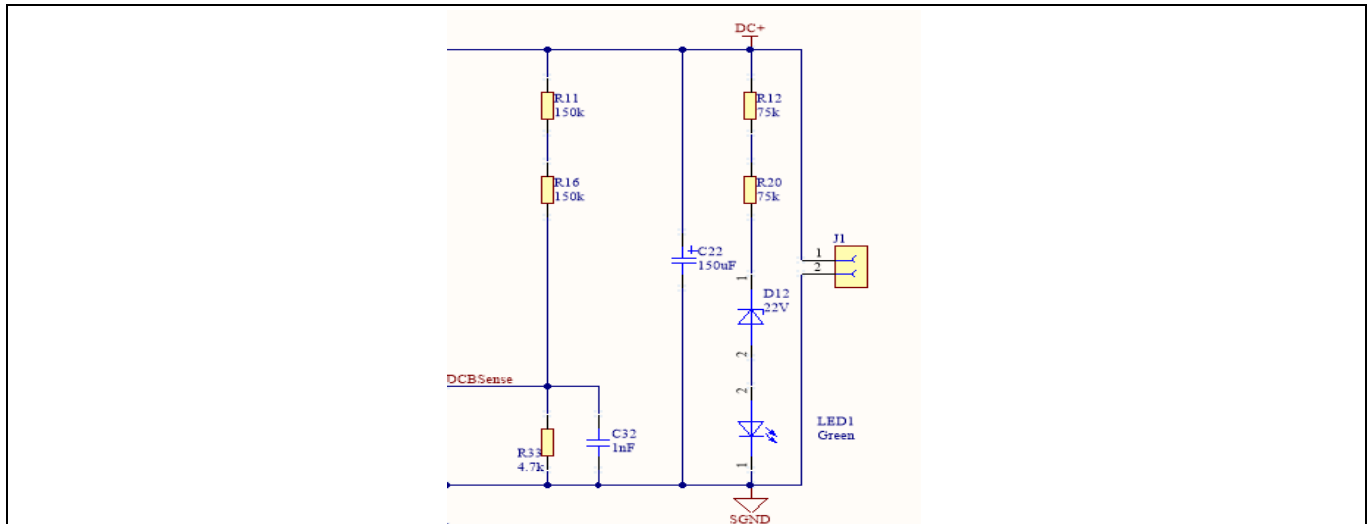


Figure 12 Bus capacitor configuration and DC bus sensing

2.1.2 Inverter section using OptiMOS™ 5 IPTC015N10NM5

The inverter section is implemented using IPTC015N10NM5 as shown in Figure 13. It is a three-phase inverter bridge section with Infineon’s OptiMOS™ 5 N-channel MOSFETs. R40/ R41 (in parallel) are single shunt for current sensing.

System design

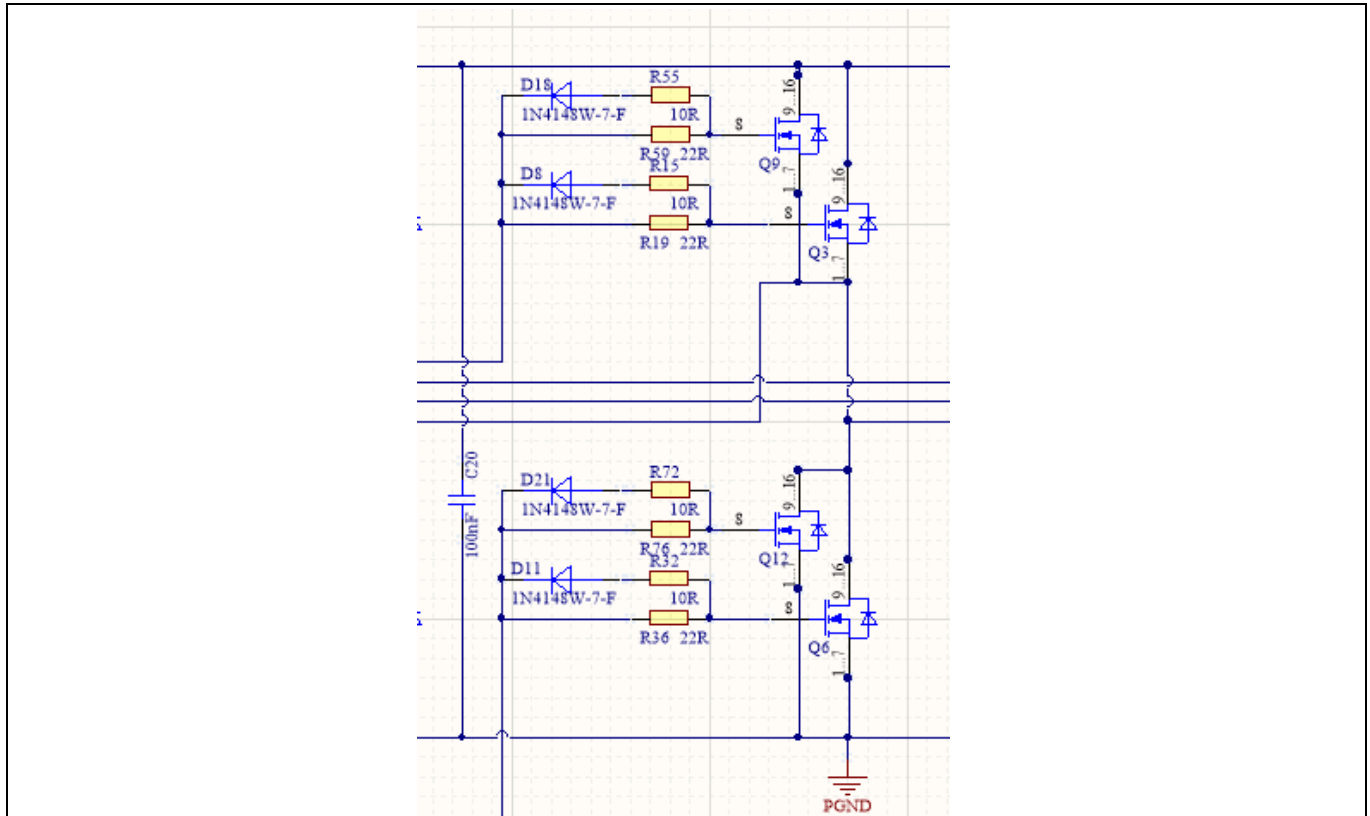


Figure 13 The diagram of the two IPTC015N10NM5 in parallel based inverter section with single shunt current sense

2.1.3 Drive circuit with 2ED2748S01G

The configuration of 2ED2748S01G is shown in Figure 14.

The capacitor C33 (C34, C35) is used as bootstrap capacitor to provide the necessary floating supply voltage VBS. Thanks to the bootstrap diode integration in 2ED2748S01G, an external bootstrap diode is not needed.

The fault-clear time setup is based on the datasheet of 2ED2748S01G. The main feature of 2ED2748S01G designed with Infineon’s SOI technology is its tolerance in terms of negative transient voltage in inductive load applications. 2ED2748S01G can tolerate repetitive negative transient voltage of up to 15 V (pulse width up to 100 ns).

System design

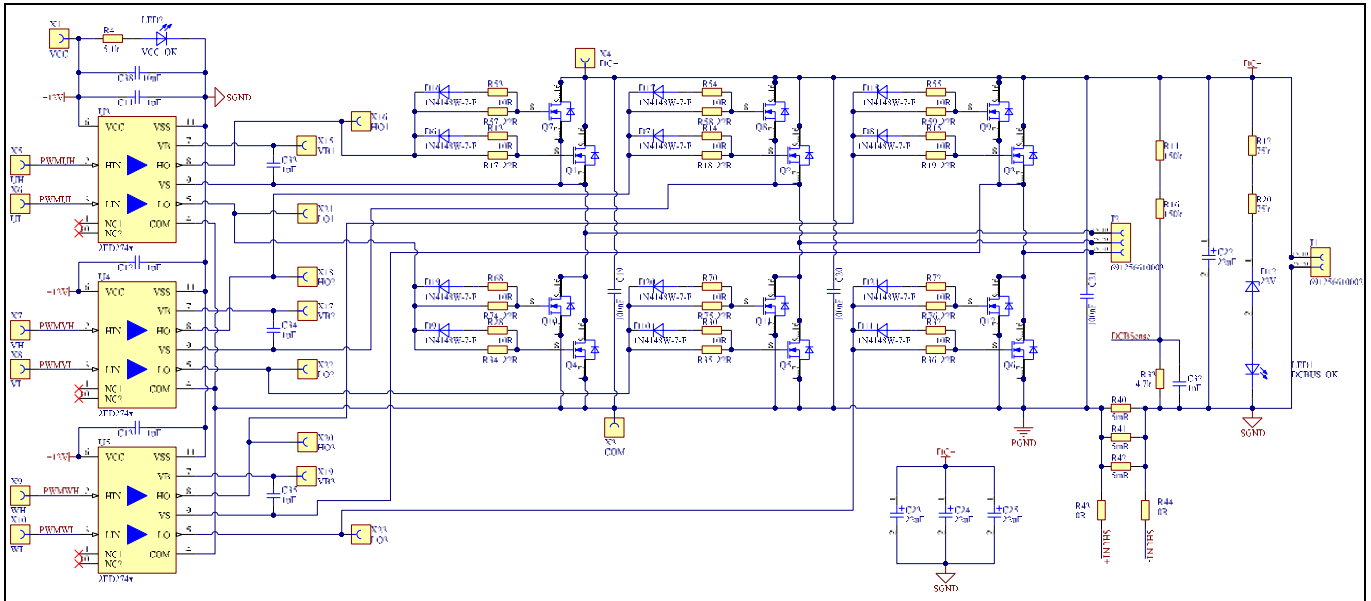


Figure 14 Drive circuit design with 2ED2748S01G

2.1.4 Overcurrent protection

The overcurrent circuit is shown in Figure 13. To save power loss of the shunt resistor, the R_{shunt} value is set as 1.7 mΩ by using three 5 mΩ / 3 W surface-mounted devices (SMD) resistors (R40/R41/R42) and low equivalent series inductance (ESL) in parallel. In the design, the target current for overcurrent protection (I_{ocp}) is 35 A. The overcurrent threshold of the ITRIP pin is 0.54 V. An additional 0.19 V DC-bias voltage is needed at the ITRIP pin to meet the target current of 35 A. This is achieved by using resistor dividers R19 and R20 with 3.3 V supply.

The I_{ocp} is calculated using:

$$I_{ocp} = \frac{(V_{ITRIP+} - \frac{R19}{R19 + R20} * 3.3V) * (R19 + R20)}{R20 * Rshunt}$$

$$= 34.93 A$$

Here, V_{ITRIP+} is the positive-going threshold for ITRIP and its typical value is 0.44 V, $R19 = 100 \Omega$, and $R20 = 1 k\Omega$.

Note: If EVAL-M1-101T is not used as the controller board, an offset circuit needs to be added.

2.1.5 Auxiliary power supply

The auxiliary power supply is derived from BM0650HV based DC-DC buck converter. The 12 V DC can be connected an external Fan (not provided with the Eval board) for forced air cooling during prolonged testing. The 3.3 V power supply required for the IMC101T based MADK control card is derived from the 12 V DC using the linear regulator IFX25001ME V33. This 3.3 V power supply is also used to bias different circuitry on board such as the ITRIP config and CSO config. The auxiliary supply stage is as shown in the schematic in figure 16.

System design

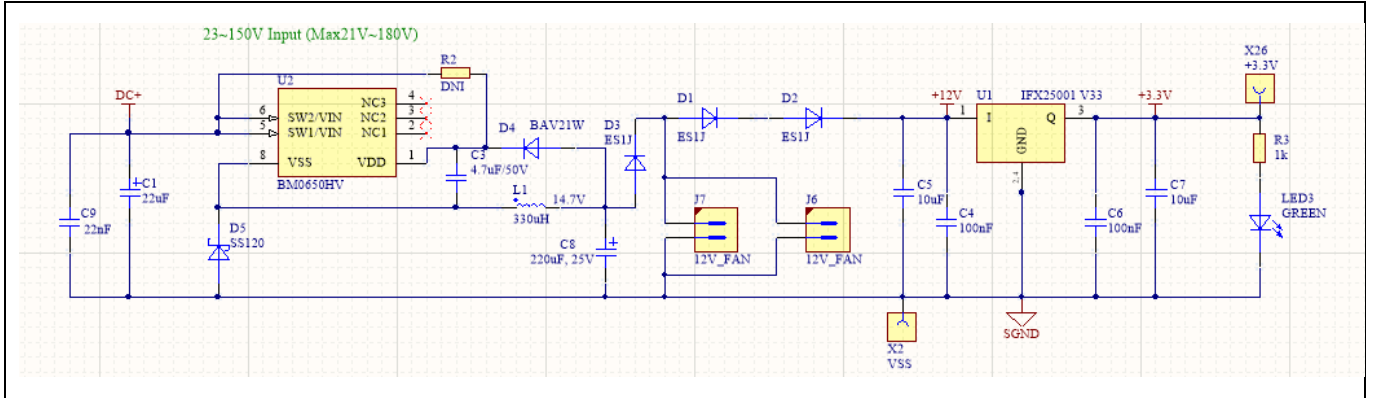


Figure 16 A high voltage DC-DC buck converter provides 12 V followed by a 3.3 V generated from a linear regulator

2.2 Schematics

The schematics of EVAL-2ED2748S01G are shown in Figure 17

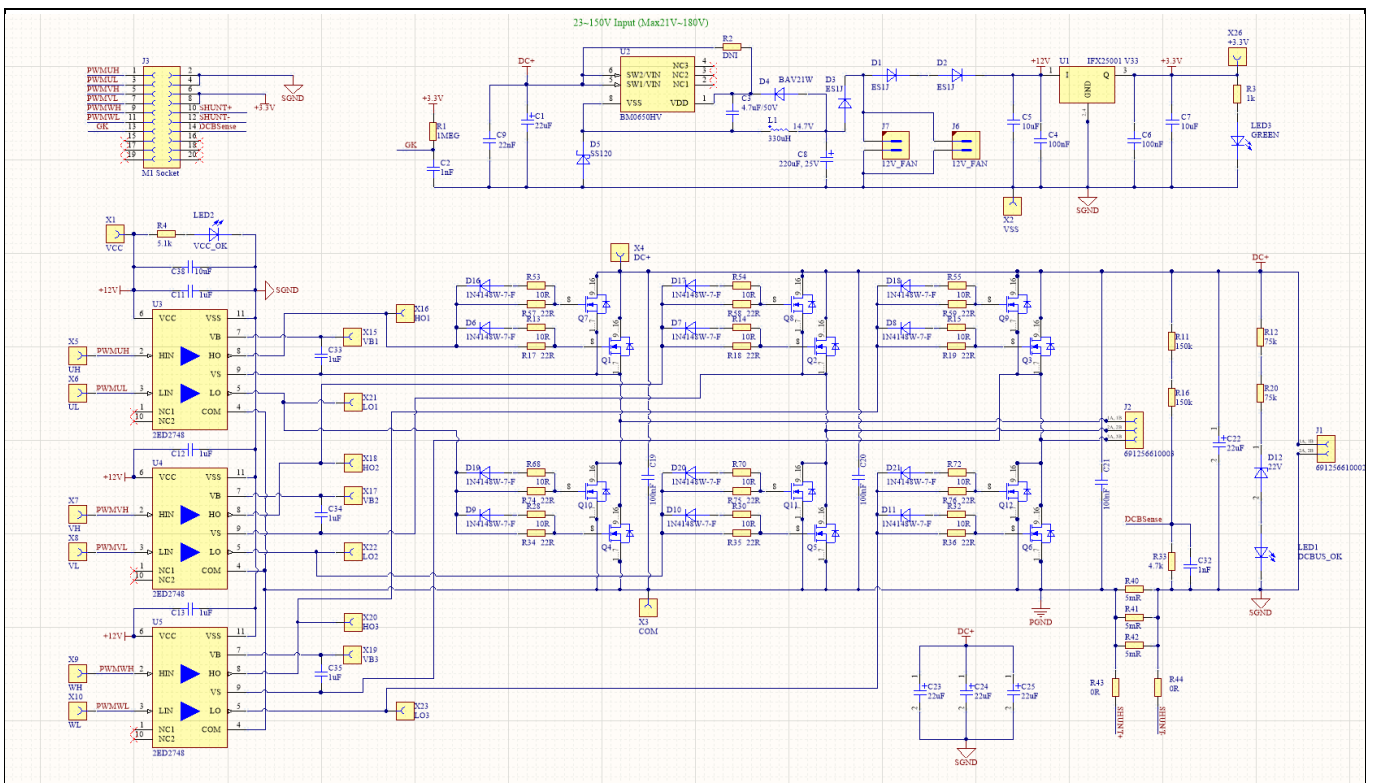


Figure 17 Circuitry of the power inverter board (main board)

2.3 Layout

2.3.1 Layout details

Detailed layouts of the main inverter board are shown in Figure 18 to Figure 21.

System design

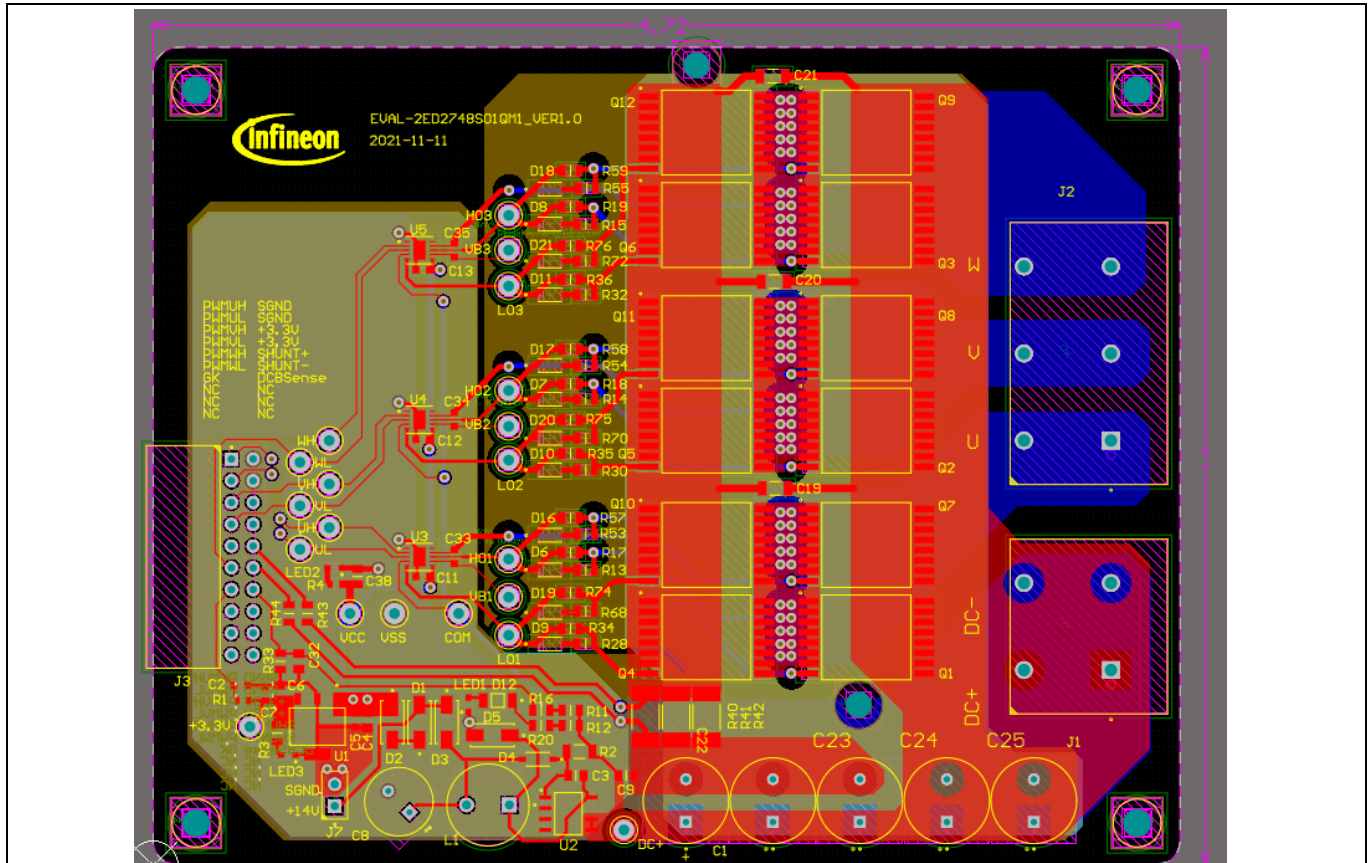


Figure 18 Power inverter board layout (All 4 layers together)

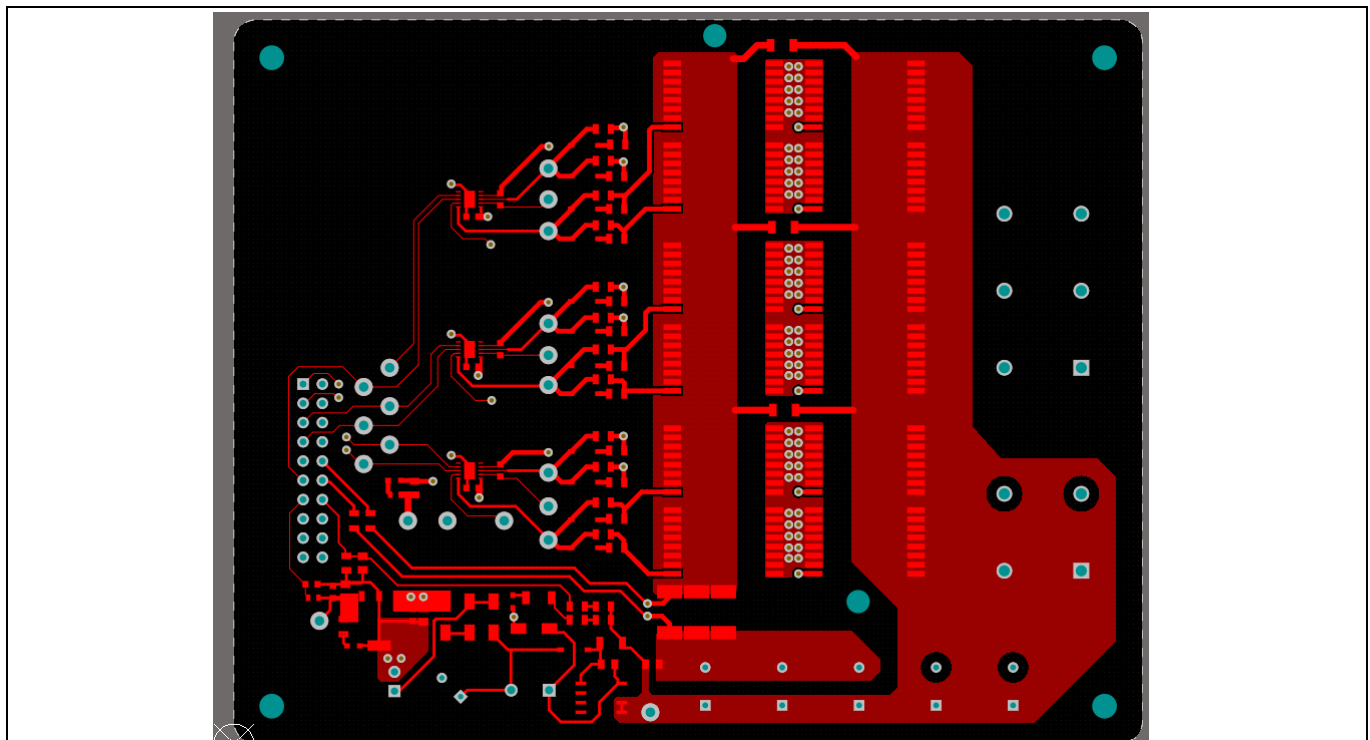


Figure 19 Power inverter board layout (Top view- layer 1)

System design

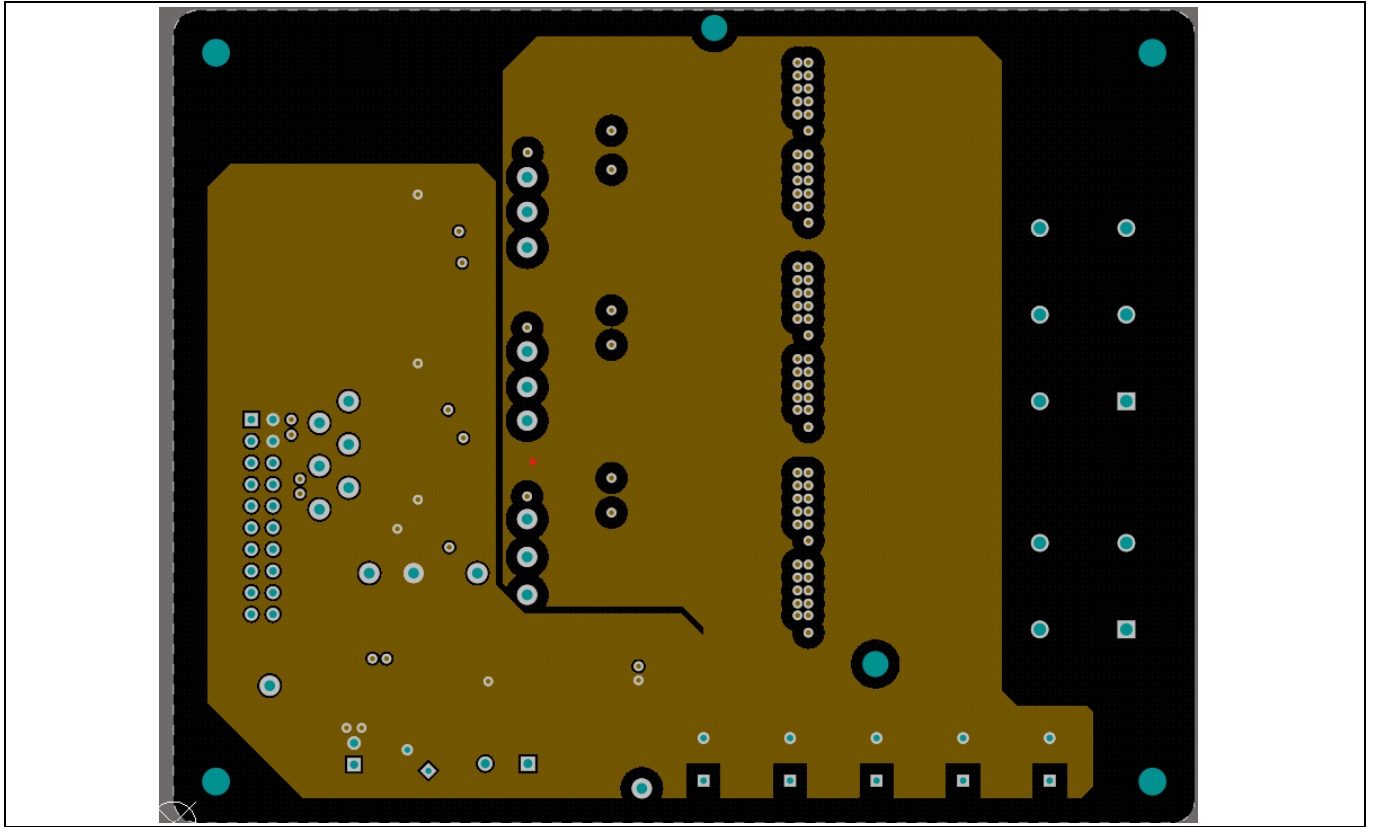


Figure 20 Power inverter board layout (Middle layer- layer 2)

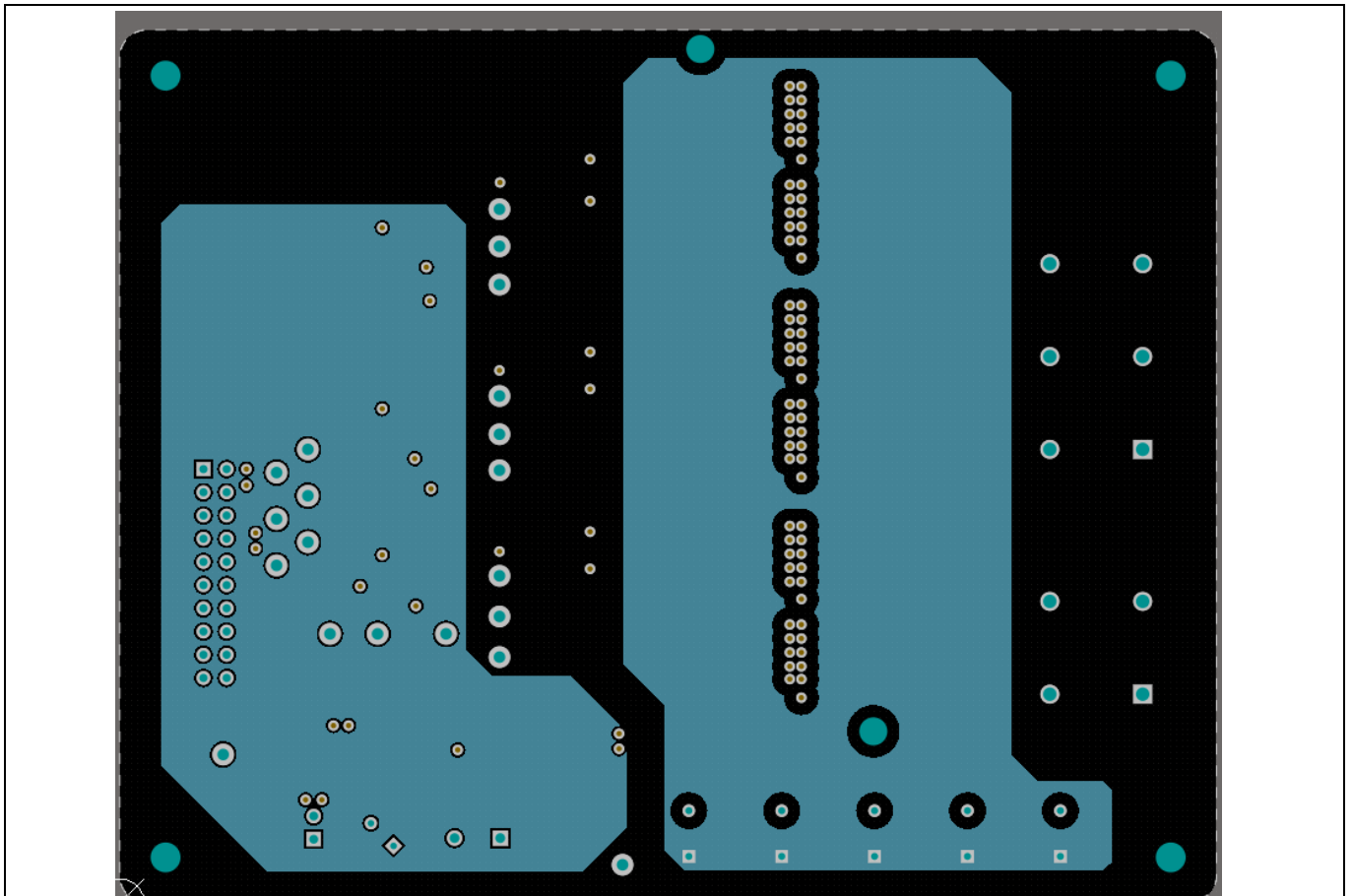


Figure 21 Power inverter board layout (Middle layer- layer 3)

System design

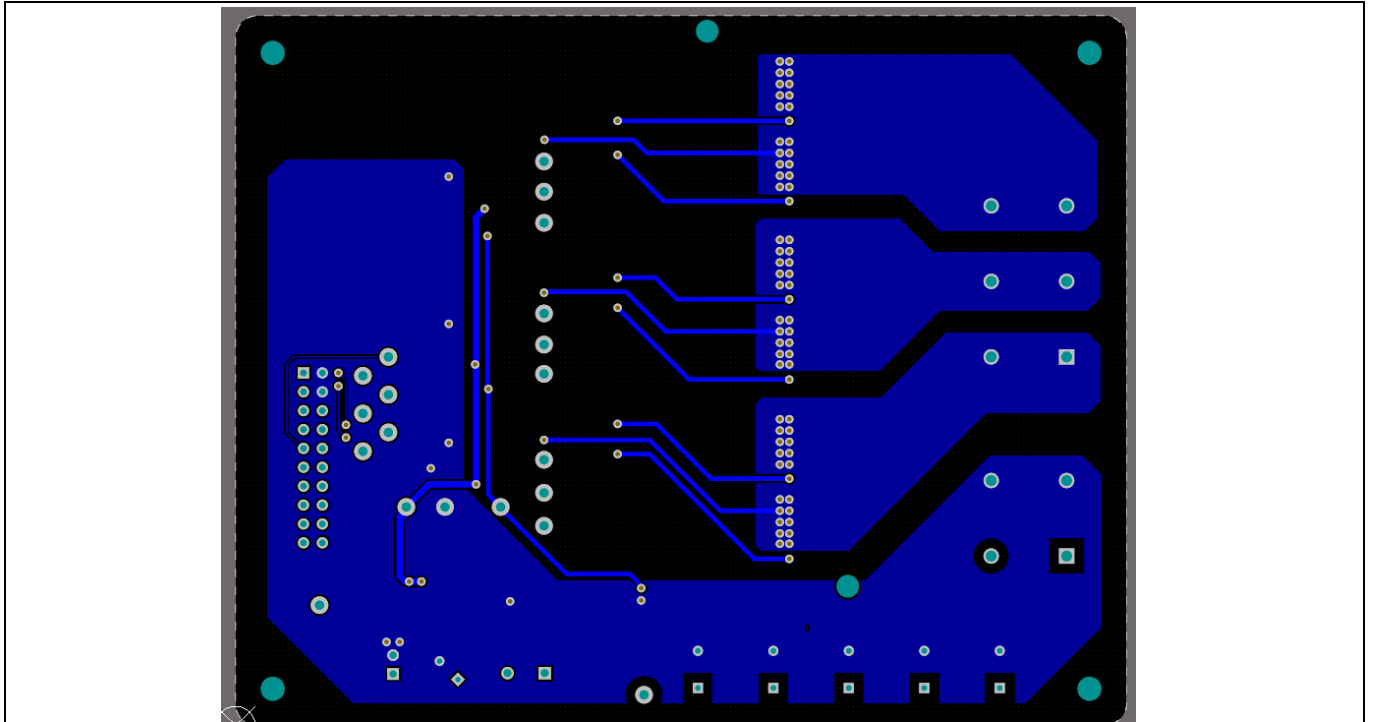


Figure 22 Power inverter board layout (bottom view- layer 4)

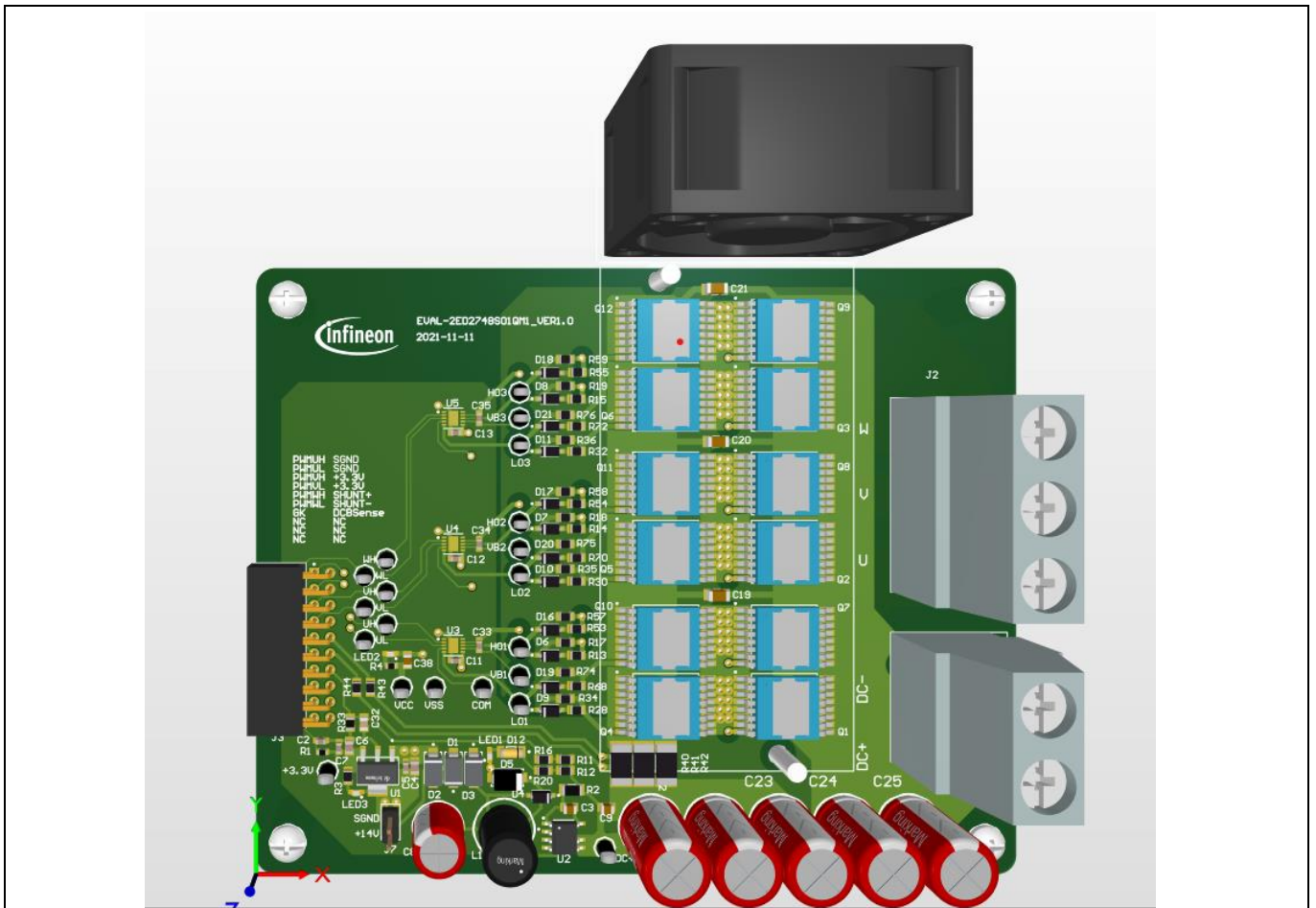


Figure 23 Power inverter assembled board

System design

Both the schematic and layout files in Altium are provided on the 2ED2748S01G webpage online. Users can download the same by logging in with their infineon.com credentials.

2.3.2 Layout guidelines

Some basic layout guidelines are as follows:

- The V_{CC} and V_{BS} bypass capacitors should be close to the IC
- The drive loop should be as small as possible
- The loop of VSS and COM should be made as small as possible by connecting the VSS and COM directly at the shunt-resistor terminals
- The two current-sensing traces should be started from the shunt terminals and placed close to each other

2.4 Bill of material

The complete bill of material (BOM) is available in the Downloads section of Infineon’s homepage. A login is required to download this material.

Table 5 lists the important components used in EVAL-2ED2748S01G.

Table 5 BOM with Infineon components in Bold

Designator	Comment	Description	Quantity
C1	10uF	CAP / ELCO / 10uF / 200V / 20% / Aluminium electrolytic	1
C2	1nF	CAP / - / 1nF / 25V / 10% / X7R (EIA)	1
C3	4.7uF/50V	Chip Monolithic Ceramic Capacitor	1
C4, C6	100nF	Surface Mount Ceramic Capacitor 0.1uF 25V X7R 10%	2
C5, C7	10uF	Chip Monolithic Ceramic Capacitor	2
C8	220uF, 25V	CAP / ELCO / 220uF / 25V / 20% / Aluminium electrolytic	1
C9	22nF	CAP / - / 22nF / 250V / 10% / X7R (EIA)	1
C11, C12, C13, C33, C34, C35	1uF	CAP / - / 1uF / 25V / 10% / X7R (EIA)	6

System design

C19, C20, C21	100nF	Ceramic Capacitor 0.1uF 250V X7R 10% SMD 1206	3
C22, C23, C24, C25	22uF	CAP / ELCO / 22uF / 200V / 20% / Aluminium electrolytic	4
C32	1nF	Surface Mount Multilayer Ceramic Chip Capacitor	1
C38	10uF	Chip Monolithic Ceramic Capacitor	1
D1, D2, D3	ES1J	1.0A Ultra Fast Recovery Rectifier	3
D4	BAV21W	Surface Mount Fast Switching Diode	1
D5	SS120	Surface Mount Schottky Barrier Rectifier, 20V	1
D6, D7, D8, D9, D10, D11, D16, D17, D18, D19, D20, D21	1N4148W-7-F	Surface Mount Fast Switching Diode	12
D12	22V	Zener Diode, 5% 22V	1
J3	M1 SOCKET	WR-PHD 2.54 mm Angled Dual Socket Header	1
J7	12V_FAN	Header, 2.54mm Pitch, 2 pin, Vertical, Single Row	1
L1	330uH	IND / STD / 330uH / 1.1A / 10%	1
LED1	DCBUS_OK	Surface Mount LED, Green, 570nm	1
LED2	VCC_OK	Surface Mount LED, Green, 570nm	1
LED3	GREEN	Surface Mount LED, Green, 570nm	1
Q1, Q2, Q3, Q4, Q5, Q6, Q7, Q8, Q9, Q10, Q11, Q12	IPTC015N10NM5	OptiMOS 5 Power-Transistor, 100V	12
R1	1MEG	RES / STD / 1MEG / 100mW / 1%	1
R2	DNI	Standard Thick Film Chip Resistor	1
R3	1k	Standard Thick Film Chip Resistor	1
R4	5.1k	RES / STD / 5.1k / 100mW / 1%	1

System design

R11, R16	150k	Standard Thick Film Chip Resistor	2
R12, R20	75k	Standard Thick Film Chip Resistor	2
R13, R14, R15, R28, R30, R32, R53, R54, R55, R68, R70, R72	10R	Standard Thick Film Chip Resistor	12
R17, R18, R19, R34, R35, R36, R57, R58, R59, R74, R75, R76	22R	Standard Thick Film Chip Resistor	12
R33	4.7k	4.7k/150V/1%	1
R40, R41, R42	5mR	RES / STD / 5mR / 3W / 1%	3
R43, R44	0R	Standard Thick Film Chip Resistor	2
U1	IFX25001 V33	Low Dropout Voltage Regulator, 3.3V Output	1
U2	BM0650HV	PFM Controller and 200V Smart power with high avalanche capability MOSFET	1
U3, U4, U5	2ED2748S01G	160 V half bridge SOI gate driver with integrated bootstrap diode	3

2.5 Connector details

Table 6 Connectors

PIN	Label	Function
Various signal input / output	X1 – X26	Test points for various onboard signals
DC+, DC-	J1	DC power supply input
U/V/W	J2	Three phase-outs (U/V/W) to the motor
M1 connector	J3	M1 Socket - iMOTION™ MADK-M1 20-pin interface connector
12 V Aux output	J7	12V_FAN Header

System performance

3 System performance

3.1 System setup for running a BLDC motor

EVAL-2ED2748S01G is tested while running a custom BLDC motor in the setup shown in Figure 24.

Test conditions:

- Input: $V_{IN} = 72 \text{ Vdc}$
- Phase-out current: $I_{PHASE} = 30 \text{ A}_{rms}$,
- Room temperature
- BLDC motor: Custom, $I_{PHASE} = 35 \text{ A}$, test at speed = 52000 r/min
- Maximum heat sink temperature = 85°C after running for 30 min
- MOSFET temperature stable at 100 °C after running for 30 min

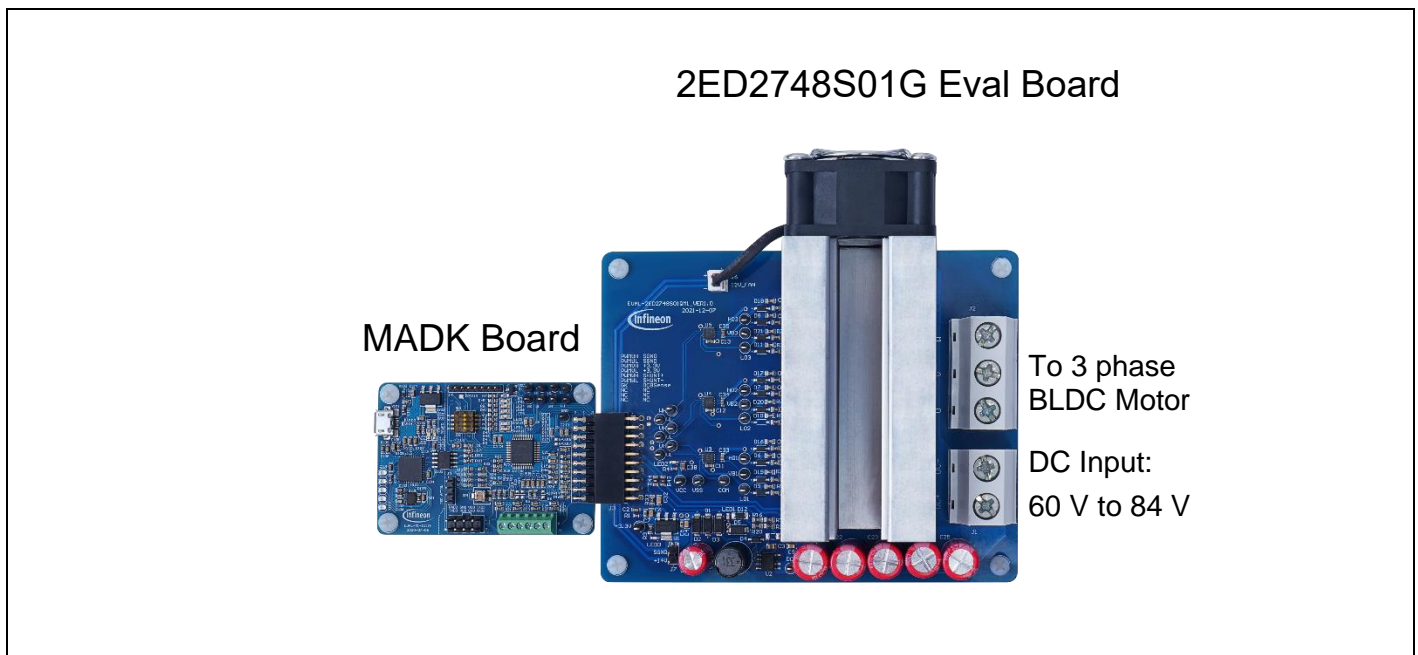


Figure 24 System setup for running a BLDC motor

3.2 The output phase current

Error! Reference source not found. and 26 shows the waveform at light load and full load

System performance

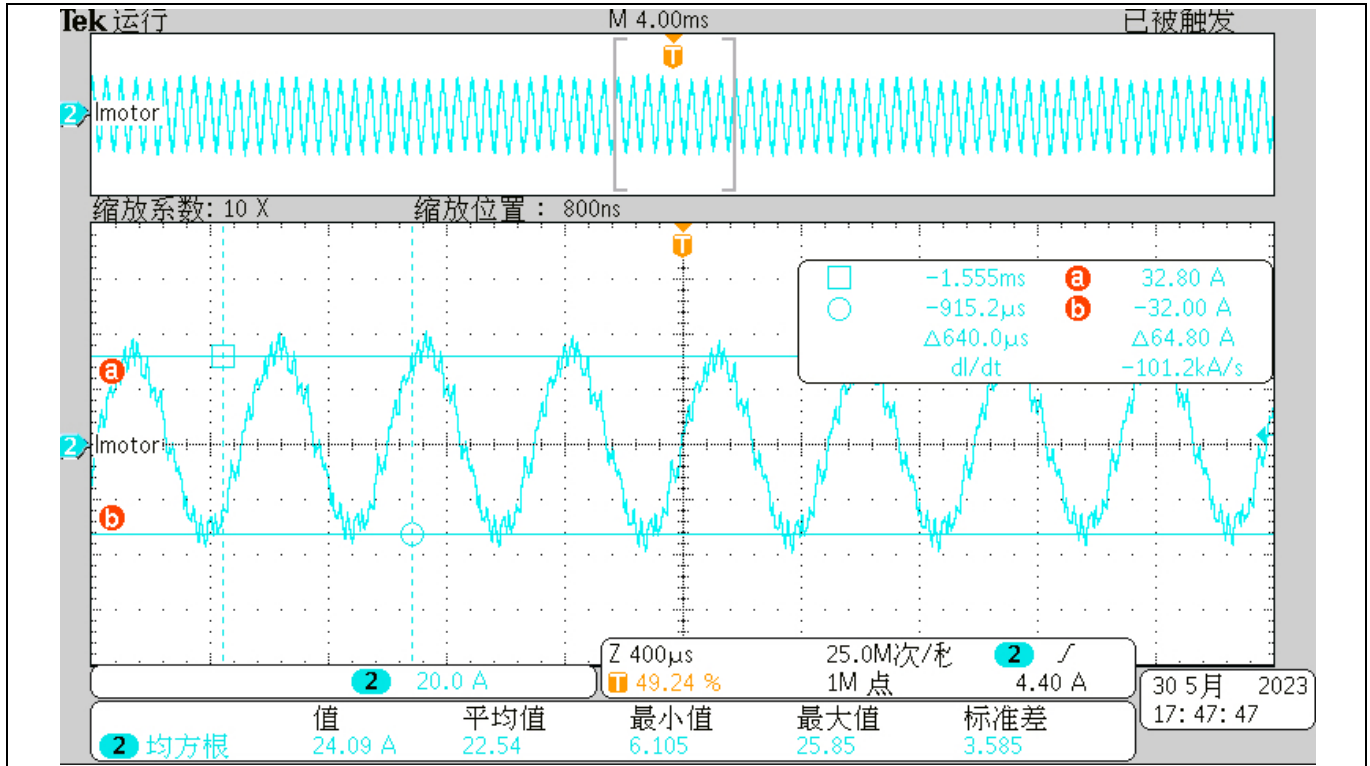


Figure 25 Current at light load

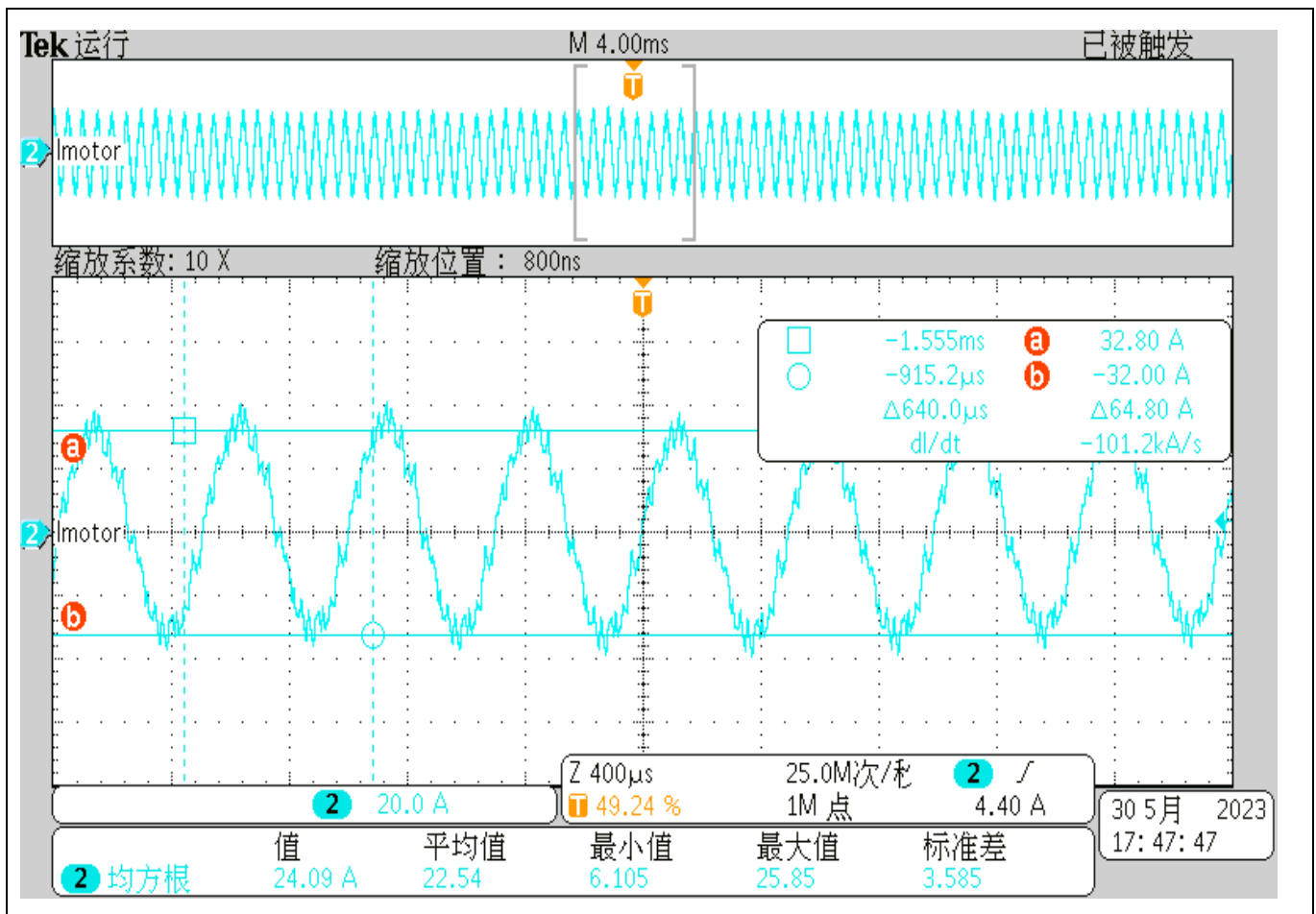


Figure 26 Current at full load

4 References and appendices

4.1 Abbreviations and definitions

Table 7 Abbreviations

Abbreviation	Meaning
IC	Integrated circuit
MOSFET	Metal Oxide Semiconductor Field Effect Transistor
DC	Direct Current
BLDC	Brushless Direct Current
PWM	Pulse Width Modulation
EVAL	Evaluation board
PCB	Printed Circuit Board
SOI	Silicon on Insulator

4.2 References

- [1] Infineon Technologies AG. Datasheet of [2ED2748S01G](#)
- [2] Infineon Technologies AG. [Advantages of Infineon’s Silicon on Insulator gate driver IC’s](#)
- [3] Infineon Technologies AG. Simulation mode of [2ED2748S01G](#)
- [4] Infineon Technologies AG. Training videos of [2ED2748S01G](#)
- [5] Infineon Technologies AG. Application note: [Managing Transients in Control IC Driven Power Stages](#)
- [6] Infineon Technologies AG. Application note: [Use Gate Charge to Design the Gate Drive Circuit for Power MOSFETs and IGBTs](#)
- [7] Infineon Technologies AG. Application note: [Using Monolithic High Voltage Gate Drivers](#)
- [8] Infineon Technologies AG. Application note: [The New OptiMOS™ 5](#)
- [9] Infineon Technologies AG. Application note: [Design guidelines for OptiMOS™ 5 in high power low-voltage motor drives](#)
- [10] Infineon Technologies AG. [How-to-Measure-Motor-Parameters-Application Presentation](#)
- [11] Infineon Technologies AG. [How to get started with iMOTION™2.0](#)
- [12] Infineon Technologies AG. Application note: [From novice to expert with iMOTION™ 2.0](#)
- [13] Infineon Technologies AG. Software Reference Manual: [iMOTION™ Motion Control Engine](#)
- [14] Infineon Technologies AG. Application note: [How to Use iMOTION™ Script Language](#)
- [15] Infineon Technologies AG. User manual of EVAL-M1-101T (2018) V1.6 [EVAL-M1-101T - Infineon Technologies](#)
- [16] Infineon Technologies AG. Application note: [Handling multiple motor parameters with iMOTION™2.0](#)

Trademarks

All referenced product or service names and trademarks are the property of their respective owners.

Edition 2023-06-01

Published by

Infineon Technologies AG

81726 Munich, Germany

© 2024 Infineon Technologies AG.

All Rights Reserved.

Do you have a question about this document?

Email: erratum@infineon.com

Document reference

UG-2023-11

Warnings

Due to technical requirements products may contain dangerous substances. For information on the types in question please contact your nearest Infineon Technologies office.

Except as otherwise explicitly approved by Infineon Technologies in a written document signed by authorized representatives of Infineon Technologies, Infineon Technologies' products may not be used in any applications where a failure of the product or any consequences of the use thereof can reasonably be expected to result in personal injury.

X-ON Electronics

Largest Supplier of Electrical and Electronic Components

Click to view similar products for [Power Management IC Development Tools](#) category:

Click to view products by [Infineon](#) manufacturer:

Other Similar products are found below :

[EVB-EP5348UI](#) [BQ25010EVM](#) [ISL80019AEVAL1Z](#) [ISLUSBI2CKIT1Z](#) [ISL8002AEVAL1Z](#) [ISL91108IIA-EVZ](#) [MAX8556EVKIT](#)
[MAX15005AEVKIT+](#) [ISL28022EVKIT1Z](#) [STEVAL-ISA008V1](#) [DRI0043](#) [KITPF8100FRDMEVM](#) [EVB-EN6337QA](#)
[SAMPLEBOXILD8150TOBO1](#) [MAX18066EVKIT#](#) [AP62300WU-EVM](#) [KITA2GTC387MOTORCTRTOBO1](#) [AEK-MOT-TK200G1](#)
[EVLONE65W](#) [STEVAL-ILH006V1](#) [STEVAL-IPE008V2](#) [STEVAL-IPP001V2](#) [STEVAL-ISA013V1](#) [STEVAL-ISA067V1](#) [STEVAL-](#)
[ISQ002V1](#) [TPS2306EVM-001](#) [TPS2330EVM-185](#) [TPS40001EVM-001](#) [SECO-HVDCDC1362-15W-GEVB](#) [BTS7030-2EPA](#)
[LT8638SJV#WPBF](#) [LTC3308AIV#WTRPBF](#) [TLT807B0EPV](#) [BTS71033-6ESA](#) [EV13N91A](#) [EASYPIC V8 OVER USB-C](#) [EV55W64A](#)
[CLICKER 4 FOR STM32F4](#) [EASYMX PRO V7A FOR STM32](#) [CLICKER 4 FOR PIC18F](#) [Si8285_86v2-KIT](#) [PAC52700EVK1](#) [NCP-](#)
[NCV51752D2PAK3LGEVB](#) [ISL81807EVAL1Z](#) [AP33772S-EVB](#) [EVALM7HVIGBTFCINV4TOBO1](#) [903-0300-000](#) [902-0173-000](#) [903-](#)
[0301-000](#) [ROA1286023/1](#)