

EiceDRIVER™

200V/600V/1200V Gate Driver ICs for Electric Drives Application

The Infineon EiceDRIVER™ family with Coreless Transformer (CLT) and Level-Shift Technology (LS-SOI) meets the requirements for high performance gate driver ICs in electric drive applications. With the combination of EiceDRIVER™ ICs with MOSFETs like CoolMOS™, IGBTs and Silicon Carbide (SiC) power devices in discretes and modules, Infineon customers can design and build reliable and efficient systems.

The EiceDRIVER™ single channel products **1ED020112-F2** and **1ED020112-B2** start with features like desaturation detection (DESAT), active Miller Clamp, undervoltage lockout (UVLO) and shut down in functional or basic isolation. Both devices **1ED020112-FT** and **1ED020112-BT** also support two-level-turn-off (TLTO) for safe overcurrent shut down. In **2ED020112-F2**, two independent channels are implemented in a compact package providing same functions as 1ED020112-F2.

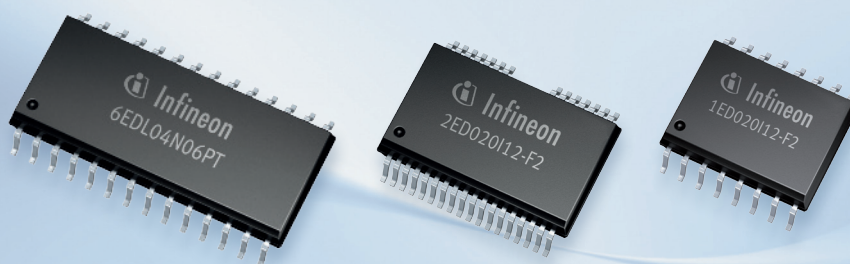
2ED020112-FI and **2ED020106-FI** are Infineon's cost efficient half bridge driver ICs with shut down and interlocking feature. The 1200V **2ED020112-FI** also implements an operational amplifier (OpAmp) and a comparator (Comp) for current measurement or overvoltage detection circuits.

Infineon's three phase driver IC family now includes six new variants for low power drive applications. **6ED003L06-F2** and **6ED003L02-F2** in 600V and 200V provide basic functions like undervoltage lockout for IGBT levels, overcurrent shut down (ITRIP), interlocking and enable (EN). **6EDL04I06NT** and **6EDL04I06PT** supplement this functionality with a high speed bootstrap circuit for each highside driver stage. To complete the family, **6EDL04N06PT** and **6EDL04N02PR** are optimized for MOSFET operation.

Infineon's EiceDRIVER™ high voltage Driver IC family covers a wide power range and enables customers to built reliable and efficient drive applications.

Products

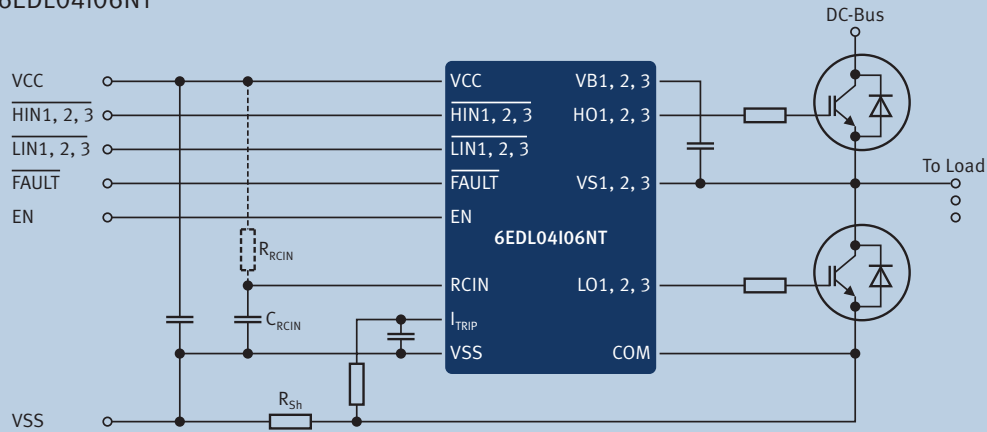
- 1ED020112-F2
- 1ED020112-B2
- 1ED020112-FT
- 1ED020112-BT
- 2ED020112-F2
- 2ED020112-FI
- 2ED020106-FI
- 6ED003L06-F2
- 6ED003L02-F2
- 6EDL04I06NT
- 6EDL04I06PT
- 6EDL04N06PT
- 6EDL04N02PR



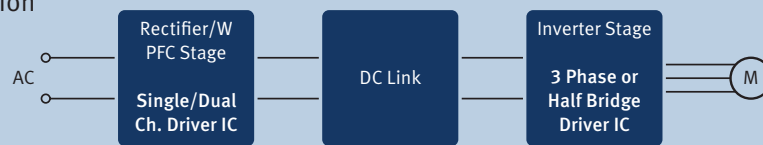
EiceDRIVER™

200V/600V/1200V Gate Driver ICs for Electric Drives Application

Typical usage 6EDL04I06NT



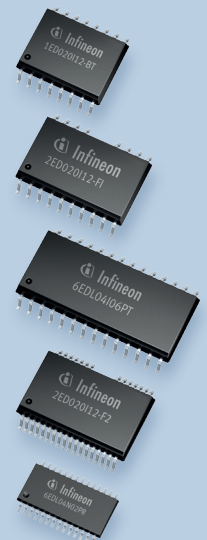
Typical Drives Application



Detailed Product Features

Product List	Technology	Max. Voltage [V]	Input Logic	Features	Basic * Isolation	Typ. UVLO [V]	Package
1ED020I12-F2	1channel-CLT	1200	pos & neg	RST, DESAT, RDY	-	11 / 12	DSO-16
1ED020I12-B2	1channel-CLT	1200	pos & neg	RST, DESAT, RDY	X	11 / 12	DSO-16
1ED020I12-FT	1channel-CLT	1200	pos & neg	RST, DESAT, RDY, TLTO	-	11 / 12	DSO-16
1ED020I12-BT	1channel-CLT	1200	pos & neg	RST, DESAT, RDY, TLTO	X	11 / 12	DSO-16
2ED020I12-F2	2channel-CLT	1200	pos & neg	RST, DESAT, RDY	-	11 / 12	DSO-36
2ED020I12-FI	half bridge-CLT	1200	pos	SD, Interlock, OpAmp, Comp	-	11 / 12.2	DSO-18
2ED020I06-FI	half bridge-CLT	600	pos	SD, Interlock	-	11 / 12.2	DSO-18
6ED003L06-F2	3phase-LS-SOI	600	neg	EN, Interlock, ITRIP	-	9.8 / 11.7	DSO-28
6ED003L02-F2	3phase-LS-SOI	200	neg	EN, Interlock, ITRIP	-	9.8 / 11.7	TSSOP-28
6EDL04I06NT	3phase-LS-SOI	600	neg	EN, Interlock, ITRIP, BS	-	9.8 / 11.7	DSO-28
6EDL04I06PT	3phase-LS-SOI	600	pos	EN, Interlock, ITRIP, BS	-	9.8 / 11.7	DSO-28
6EDL04N06PT	3phase-LS-SOI	600	pos	EN, Interlock, ITRIP, BS	-	8.1 / 9	DSO-28
6EDL04N02PR	3phase-LS-SOI	200	pos	EN, Interlock, ITRIP, BS	-	8.1 / 9	TSSOP-28

* Certified according to DIN EN 60747-5-2



Published by
Infineon Technologies AG
85579 Neuburg, Germany

© 2011 Infineon Technologies AG.
All Rights Reserved.

Visit us:
www.infineon.com

Order Number: B121-H9662-X-X-7600
Date: 11 / 2011

ATTENTION PLEASE!

The information given in this document shall in no event be regarded as a guarantee of conditions or characteristics ("Beschaffenheitsgarantie"). With respect to any examples or hints given herein, any typical values stated herein and/or any information regarding the application of the device, Infineon Technologies hereby disclaims any and all warranties and liabilities of any kind, including without limitation warranties of non-infringement of intellectual property rights of any third party.

INFORMATION

For further information on technology, delivery terms and conditions and prices please contact your nearest Infineon Technologies Office (www.infineon.com).

WARNINGS

Due to technical requirements components may contain dangerous substances. For information on the types in question please contact your nearest Infineon Technologies Office. Infineon Technologies Components may only be used in life-support devices or systems with the express written approval of Infineon Technologies, if a failure of such components can reasonably be expected to cause the failure of that life-support device or system, or to affect the safety or effectiveness of that device or system. Life support devices or systems are intended to be implanted in the human body, or to support and/or maintain and sustain and/or protect human life. If they fail, it is reasonable to assume that the health of the user or other persons may be endangered.

X-ON Electronics

Largest Supplier of Electrical and Electronic Components

Click to view similar products for [Power Management IC Development Tools](#) category:

Click to view products by [Infineon](#) manufacturer:

Other Similar products are found below :

[EVB-EP5348UI](#) [MIC23451-AAAYFL EV](#) [MIC5281YMME EV](#) [124352-HMC860LP3E](#) [DA9063-EVAL](#) [ADP122-3.3-EVALZ](#) [ADP130-0.8-EVALZ](#) [ADP130-1.8-EVALZ](#) [ADP1740-1.5-EVALZ](#) [ADP1870-0.3-EVALZ](#) [ADP1874-0.3-EVALZ](#) [ADP199CB-EVALZ](#) [ADP2102-1.25-EVALZ](#) [ADP2102-1.875EVALZ](#) [ADP2102-1.8-EVALZ](#) [ADP2102-2-EVALZ](#) [ADP2102-3-EVALZ](#) [ADP2102-4-EVALZ](#) [AS3606-DB](#) [BQ25010EVM](#) [BQ3055EVM](#) [ISLUSBI2CKIT1Z](#) [LM2734YEVAL](#) [LP38512TS-1.8EV](#) [EVAL-ADM1186-1MBZ](#) [EVAL-ADM1186-2MBZ](#) [ADP122UJZ-REDYKIT](#) [ADP166Z-REDYKIT](#) [ADP170-1.8-EVALZ](#) [ADP171-EVALZ](#) [ADP1853-EVALZ](#) [ADP1873-0.3-EVALZ](#) [ADP198CP-EVALZ](#) [ADP2102-1.0-EVALZ](#) [ADP2102-1-EVALZ](#) [ADP2107-1.8-EVALZ](#) [ADP5020CP-EVALZ](#) [CC-ACC-DBMX-51](#) [ATPL230A-EK](#) [MIC23250-S4YMT EV](#) [MIC26603YJL EV](#) [MIC33050-SYHL EV](#) [TPS60100EVM-131](#) [TPS65010EVM-230](#) [TPS71933-28EVM-213](#) [TPS72728YFFEVM-407](#) [TPS79318YEQEV](#) [UCC28810EVM-002](#) [XILINXPWR-083](#) [LMR22007YMINI-EVM](#)