

CoolSET[®]-F3R80

ICE3AR2280JZ

Off-Line SMPS Current Mode
Controller with integrated 800V
CoolMOS[®] and Startup cell
(brownout & frequency jitter) in
DIP-7

Power Management & Supply



Never stop thinking.

CoolSET®-F3R80

ICE3AR2280JZ

Revision History:

2012-1-11

Datasheet Version 2.1a

Previous Version: 2.1

Page	Subjects (major changes since last revision)
30	revise outline dimension for PG-DIP-7
3, 7, 17, 18	revise typo

For questions on technology, delivery and prices please contact the Infineon Technologies Offices in Germany or the Infineon Technologies Companies and Representatives worldwide: see our webpage at <http://www.infineon.com>

CoolMOS®, CoolSET® are trademarks of Infineon Technologies AG.

Edition 2012-1-11

**Published by
Infineon Technologies AG
81726 München, Germany**

**© Infineon Technologies AG 1/11/12.
All Rights Reserved.**

Attention please!

The information given in this data sheet shall in no event be regarded as a guarantee of conditions or characteristics ("Beschaffenheitsgarantie"). With respect to any examples or hints given herein, any typical values stated herein and/or any information regarding the application of the device, Infineon Technologies hereby disclaims any and all warranties and liabilities of any kind, including without limitation warranties of non-infringement of intellectual property rights of any third party.

Information

For further information on technology, delivery terms and conditions and prices please contact your nearest Infineon Technologies Office (www.infineon.com).

Warnings

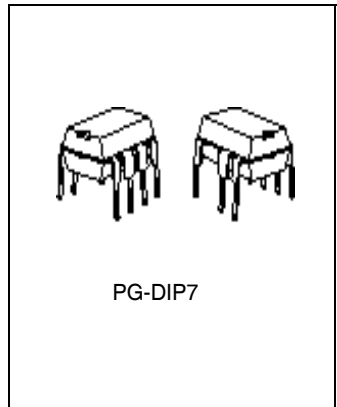
Due to technical requirements components may contain dangerous substances. For information on the types in question please contact your nearest Infineon Technologies Office.

Infineon Technologies Components may only be used in life-support devices or systems with the express written approval of Infineon Technologies, if a failure of such components can reasonably be expected to cause the failure of that life-support device or system, or to affect the safety or effectiveness of that device or system. Life support devices or systems are intended to be implanted in the human body, or to support and/or maintain and sustain and/or protect human life. If they fail, it is reasonable to assume that the health of the user or other persons may be endangered.

Off-Line SMPS Current Mode Controller with integrated 800V CoolMOS[®] and Startup cell (brownout & frequency jitter) in DIP-7

Product Highlights

- 800V avalanche rugged CoolMOS[®] with startup cell
- Active Burst Mode to reach the lowest Standby Power <100mW
- Selectable entry and exit burst mode level
- Adjustable blanking Window for high load jumps
- Frequency jitter and soft driving for low EMI
- Adjustable brownout feature
- Auto Restart protection for over load, over temperature, over voltage and external protection enable function
- Pb-free lead plating; RoHS compliant

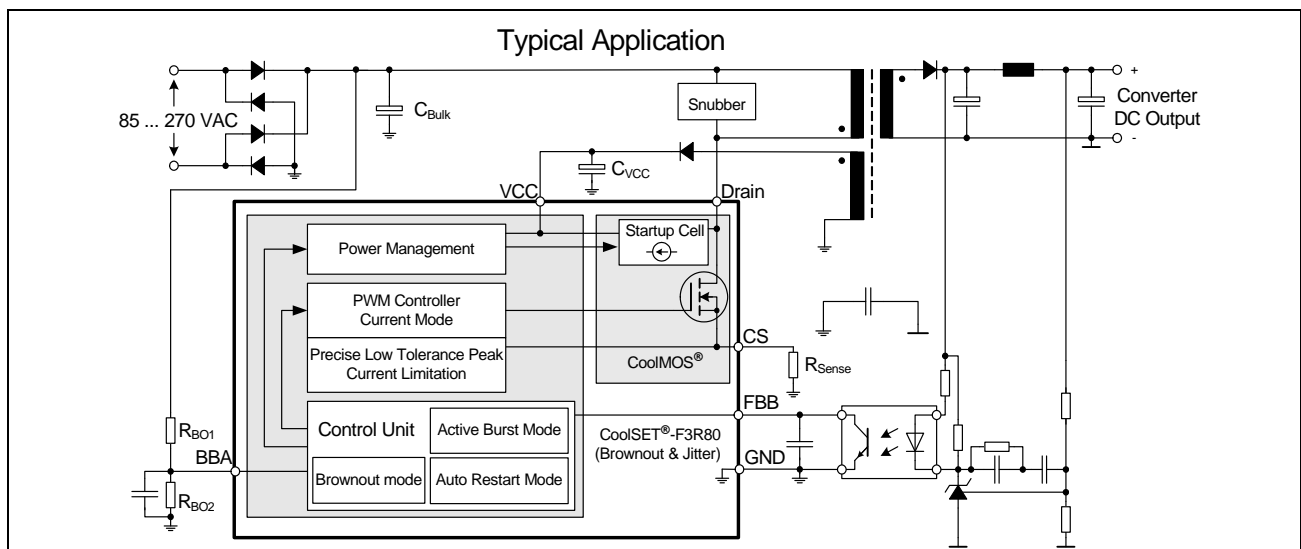


Features

- 800V avalanche rugged CoolMOS[®] with Startup Cell
- Active Burst Mode for lowest Standby Power
- Selectable entry and exit burst mode level
- 100kHz internally fixed switching frequency with jittering feature
- Auto Restart Protection for Over load, Open Loop, VCC Under voltage & Over voltage and Over temperature
- External auto-restart enable pin
- Over temperature protection with 50°C hysteresis
- Built-in 10ms Soft Start
- Built-in 20ms and extendable blanking time for short duration peak power
- Propagation delay compensation for both maximum load and burst mode
- Adjustable brownout feature
- Overall tolerance of Current Limiting $\pm 5\%$
- BiCMOS technology for low power consumption and wide VCC voltage range
- Soft gate drive with 50Ω turn on resistor

Description

The ICE3AR2280JZ (CoolSET[®]-F3R80) is an enhanced 800V MOSFET version of ICE3BRxx65J (CoolSET[®]-F3R 650V) in DIP-7 package. The PWM controller is based on F3R 650V with some new and enhanced features. In particular it is a device running at 100kHz, implemented with brownout features, installing 800V CoolMOS[®] with startup cell and packaged into DIP-7. It targets for the low power SMPS with increased MOSFET voltage margin requirement such as Off-Line battery adapters, DVD R/W, DVD Combi, Blue ray, set top box, auxiliary power supply for PC and server, etc. In summary, the CoolSET[®] F3R80 provides good voltage margin of MOSFET, lowest standby power, selectable burst level, reduced output ripple during burst mode, reliable output with brownout feature, accurate maximum power control for both maximum power and burst power, low EMI with frequency jittering and soft gate drive, built-in and flexible protections, etc. Therefore, CoolSET[®] F3R80 is a



Type	Package	Marking	V _{DS}	F _{osc}	R _{DSon} ¹⁾	230VAC ±15% ²⁾	85-265 VAC ²⁾
ICE3AR2280JZ	PG-DIP-7	3AR2280JZ	800V	100kHz	2.26	43W	28W

1) typ @ T=25°C

2) Calculated maximum input power rating at T_a=50°C, T_i=125°C and without copper area as heat sink.

Table of Contents		Page
1	Pin Configuration and Functionality	6
1.1	Pin Configuration with PG-DIP-7	6
1.2	Pin Functionality	6
2	Representative Blockdiagram	7
3	Functional Description	8
3.1	Introduction	8
3.2	Power Management	8
3.3	Improved Current Mode	9
3.3.1	PWM-OP	10
3.3.2	PWM-Comparator	10
3.4	Startup Phase	10
3.5	PWM Section	12
3.5.1	Oscillator	12
3.5.2	PWM-Latch FF1	12
3.5.3	Gate Driver	12
3.6	Current Limiting	13
3.6.1	Leading Edge Blanking	13
3.6.2	Propagation Delay Compensation (patented)	13
3.7	Control Unit	14
3.7.1	Basic and Extendable Blanking Mode	14
3.7.2	Active Burst Mode (patented)	15
3.7.2.1	Selectable burst entry level	15
3.7.2.2	Entering Active Burst Mode	16
3.7.2.3	Working in Active Burst Mode	16
3.7.2.4	Leaving Active Burst Mode	16
3.7.3	Protection Modes	17
3.7.3.1	Vcc OVP, OTP, external protection enable and Vcc under voltage ...	18
3.7.3.2	Over load, open loop protection	18
3.7.4	Brownout Mode	19
3.7.5	Action sequence at BBA pin	20
4	Electrical Characteristics	22
4.1	Absolute Maximum Ratings	22
4.2	Operating Range	23
4.3	Characteristics	23
4.3.1	Supply Section	23
4.3.2	Internal Voltage Reference	24
4.3.3	PWM Section	24
4.3.4	Soft Start time	24
4.3.5	Control Unit	25
4.3.6	Current Limiting	26
4.3.7	CoolMOS® Section	26

5	CoolMOS® Performance Characteristic27
6	Input Power Curve29
7	Outline Dimension30
8	Marking31
9	Schematic for recommended PCB layout32

Pin Configuration and Functionality

1 Pin Configuration and Functionality

1.1 Pin Configuration with PG-DIP-7

Pin	Symbol	Function
1	BBA	Brownout, extended Blanking time & Auto-restart enable
2	FBB	Feedback & Burst entry/exit control
3	CS	Current Sense/ 800V CoolMOS® Source
4	n.c.	not connected
5	Drain	800V CoolMOS® Drain
6	-	(no pin)
7	VCC	Controller Supply Voltage
8	GND	Controller Ground

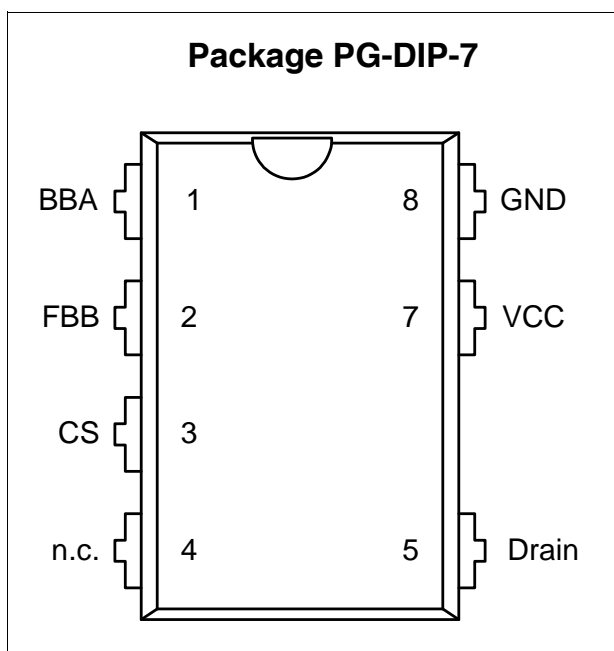


Figure 1 Pin Configuration PG-DIP-7 (top view)

1.2 Pin Functionality

BBA (Brownout, extended Blanking time & Auto-restart enable)

The BBA pin combines the functions of brownout, extendable blanking time for over load protection and the external auto-restart enable. The brownout feature is to stop the switching pulse when the input voltage is dropped to a preset low level. The extendable blanking time function is to extend the built-in 20 ms blanking time for over load protection by adding an external capacitor to ground. The external auto-restart enable function is an external access to stop the gate switching and force the IC to enter auto-restart mode. It is triggered by pulling the pin voltage to less than 0.4V.

FBB (Feedback & Burst entry control)

The FBB pin combines the feedback function and the burst entry/exit control. The regulation information is provided by the FBB pin to the internal Protection Unit and the internal PWM-Comparator to control the duty cycle. The FBB-signal is the only control signal in case of light load at the Active Burst Mode. The burst entry/exit control provides an access to select the entry/exit burst mode level.

CS (Current Sense)

The Current Sense pin senses the voltage developed on the shunt resistor inserted in the source of the integrated CoolMOS®. If CS reaches the internal threshold of the Current Limit Comparator, the Driver output is immediately switched off. Furthermore the current information is provided for the PWM-Comparator to realize the Current Mode.

Drain (Drain of integrated CoolMOS®)

Pin Drain is the connection to the Drain of the integrated CoolMOS®.

VCC (Power Supply)

The VCC pin is the positive supply of the IC. The operating range is between 10.5V and 25V.

GND (Ground)

The GND pin is the ground of the controller.

2 Representative Blockdiagram

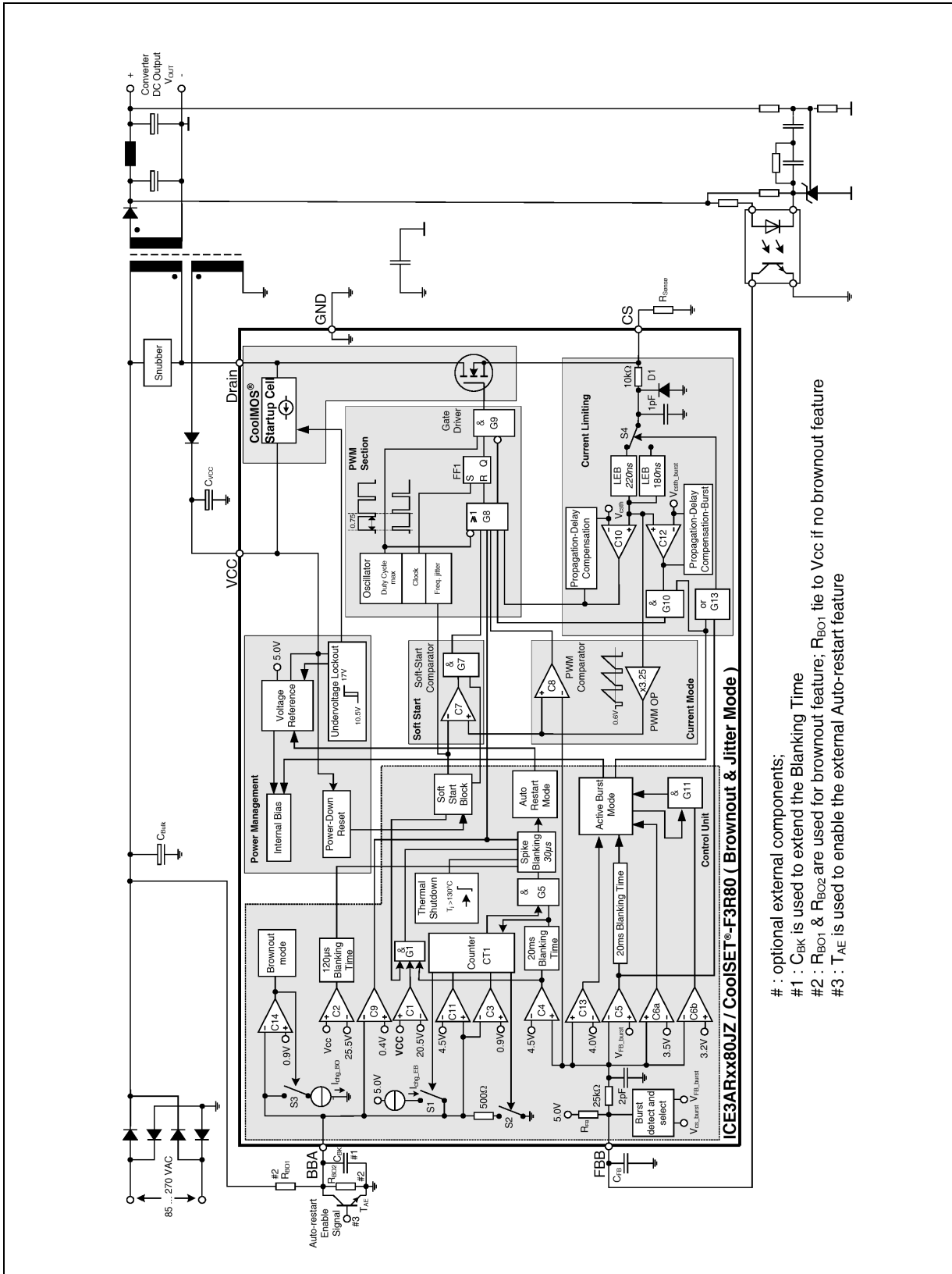


Figure 2 Representative Blockdiagram

3 Functional Description

All values which are used in the functional description are typical values. For calculating the worst cases the min/max values which can be found in section 4 Electrical Characteristics have to be considered.

3.1 Introduction

CoolSET®-F3R80 brownout and jitter 800V version (ICE3AR2280JZ) is the enhanced version of the CoolSET®-F3R 650V version (ICE3BRxx65J). It is particular good for high voltage margin low power SMPS application such as auxiliary power supply for PC and server. The major characteristics are that the IC is developed with 800V CoolMOS® with start up cell, having adjustable brownout feature, running at 100KHz switching frequency and packed in DIP-7 package. It is derived from F3R 650V version. Thus most of the good features are retained. Besides, it includes some enhanced features and new features.

The retained good features include BiCMOS technology to reduce power consumption and increase the Vcc voltage range, cycle by cycle current mode control, built-in 10ms soft start to reduce the stress of switching elements during start up, built-in 20ms and extended blanking time for short period of peak power before entering protection, active burst mode for lowest standby power and propagation delay compensation for close power limit between high line and low line, frequency jittering for low EMI performance, the built-in auto-restart mode protections for open loop, over load, Vcc OVP, Vcc under voltage, etc. and also the most flexible external auto-restart enable, etc.

The enhanced features include narrowing the feedback voltage swing from 0.5V to 0.3V during burst mode so that the output voltage ripple can be reduced by 40%, reduction of the fast voltage fall time of the MOSFET by increasing the soft turn-on time and addition of 50Ω turn-on resistor, faster start up time by optimizing the Vcc capacitor to 10uF and over temperature protection with 50°C hysteresis.

The new features include adjustable brownout for reliable output performance, selectable entry and exit burst mode so that smaller entry/exit power to burst mode or even no burst mode is possible and the propagation delay compensation for burst mode so that the entry/exit burst mode power is close between high line and low line.

In summary, the CoolSET® F3R80 provides good voltage margin of MOSFET, lowest standby power, flexible burst level, reduced output ripple during burst mode, reliable output with brownout feature, accurate power limit for both maximum power and burst power, low EMI with frequency jittering and soft gate drive, built-in and flexible protections, etc. Therefore,

CoolSET® F3R80 is a complete solution for the low power SMPS application.

3.2 Power Management

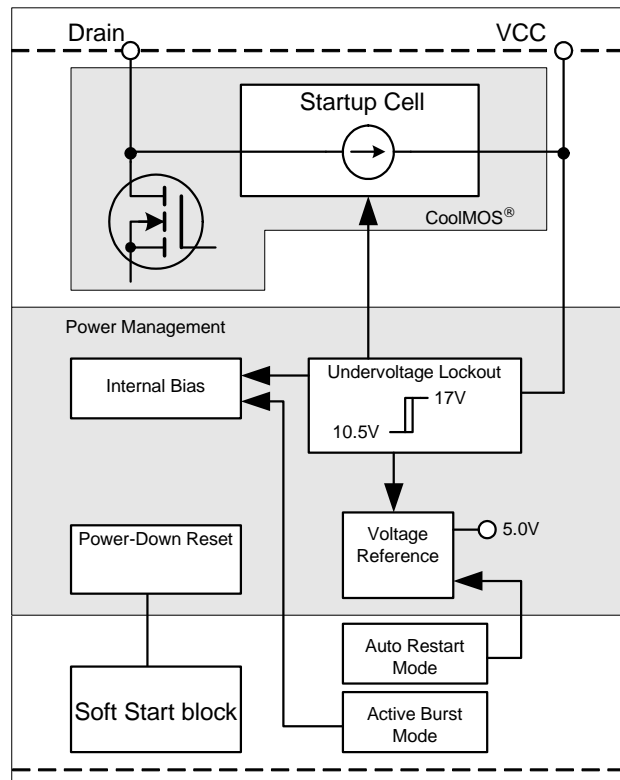


Figure 3 Power Management

The Undervoltage Lockout monitors the external supply voltage V_{VCC} . When the SMPS is plugged to the main line the internal Startup Cell is biased and starts to charge the external capacitor C_{VCC} which is connected to the VCC pin. This VCC charge current is controlled to 0.9mA by the Startup Cell. When the V_{VCC} exceeds the on-threshold $V_{CCon}=17V$ the bias circuit are switched on. Then the Startup Cell is switched off by the Undervoltage Lockout and therefore no power losses present due to the connection of the Startup Cell to the Drain voltage. To avoid uncontrolled ringing at switch-on, a hysteresis start up voltage is implemented. The switch-off of the controller can only take place when V_{VCC} falls below 10.5V after normal operation was entered. The maximum current consumption before the controller is activated is about 200μA.

When V_{VCC} falls below the off-threshold $V_{CCoff}=10.5V$, the bias circuit is switched off and the soft start counter is reset. Thus it ensures that at every startup cycle the soft start starts at zero.

The internal bias circuit is switched off if Auto Restart Mode is entered. The current consumption is then reduced to 320μA.

Functional Description

Once the malfunction condition is removed, this block will then turn back on. The recovery from Auto Restart Mode does not require re-cycling the AC line.

When Active Burst Mode is entered, the internal Bias is switched off most of the time but the Voltage Reference is kept alive in order to reduce the current consumption below 620µA.

3.3 Improved Current Mode

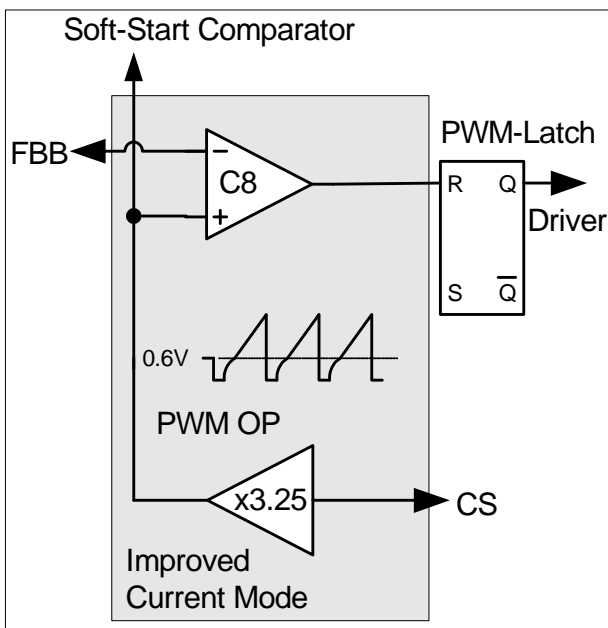


Figure 4 Current Mode

Current Mode means the duty cycle is controlled by the slope of the primary current. This is done by comparing the FBB signal with the amplified current sense signal.

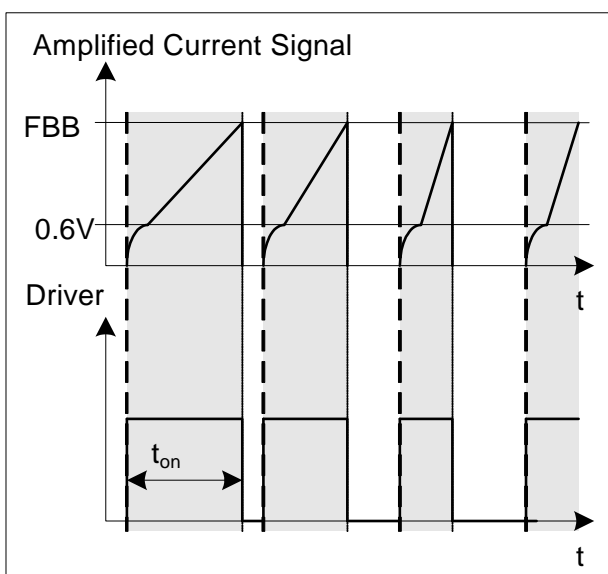


Figure 5 Pulse Width Modulation

In case the amplified current sense signal exceeds the FBB signal the on-time t_{on} of the driver is finished by resetting the PWM-Latch (Figure 5).

The primary current is sensed by the external series resistor R_{Sense} inserted in the source of the integrated CoolMOS®. By means of Current Mode regulation, the secondary output voltage is insensitive to the line variations. The current waveform slope will change with the line variation, which controls the duty cycle.

The external R_{Sense} allows an individual adjustment of the maximum source current of the integrated CoolMOS®.

To improve the Current Mode during light load conditions the amplified current ramp of the PWM-OP is superimposed on a voltage ramp, which is built by the switch T2, the voltage source V1 and a resistor R1 (see Figure 6). Every time the oscillator shuts down for maximum duty cycle limitation the switch T2 is closed by V_{OSC} . When the oscillator triggers the Gate Driver, T2 is opened so that the voltage ramp can start.



Figure 6 Improved Current Mode

In case of light load the amplified current ramp is too small to ensure a stable regulation. In that case the Voltage Ramp is a well defined signal for the comparison with the FBB-signal. The duty cycle is then controlled by the slope of the Voltage Ramp.

By means of the time delay circuit which is triggered by the inverted V_{OSC} signal, the Gate Driver is switched-off until it reaches approximately 156ns delay time (Figure

7). It allows the duty cycle to be reduced continuously till 0% by decreasing V_{FBB} below that threshold.



Figure 7 Light Load Conditions

3.3.1 PWM-OP

The input of the PWM-OP is applied over the internal leading edge blanking to the external sense resistor R_{Sense} connected to pin CS. R_{Sense} converts the source current into a sense voltage. The sense voltage is amplified with a gain of 3.25 by PWM OP. The output of the PWM-OP is connected to the voltage source V_1 . The voltage ramp with the superimposed amplified current signal is fed into the positive inputs of the PWM-Comparator C8 and the Soft-Start-Comparator (Figure 8).

3.3.2 PWM-Comparator

The PWM-Comparator compares the sensed current signal of the integrated CoolMOS® with the feedback signal V_{FBB} (Figure 8). V_{FBB} is created by an external optocoupler or external transistor in combination with the internal pull-up resistor R_{FB} and provides the load information of the feedback circuitry. When the amplified current signal of the integrated CoolMOS® exceeds the signal V_{FBB} the PWM-Comparator switches off the Gate Driver.

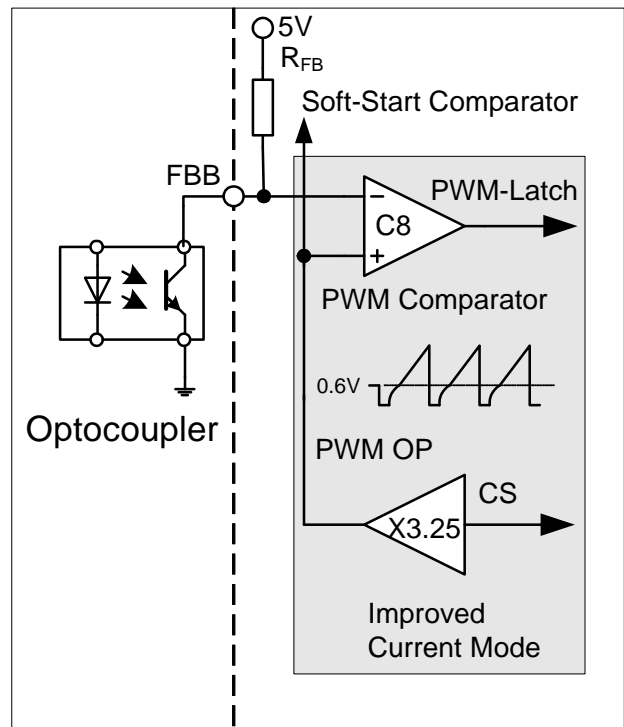


Figure 8 PWM Controlling

3.4 Startup Phase

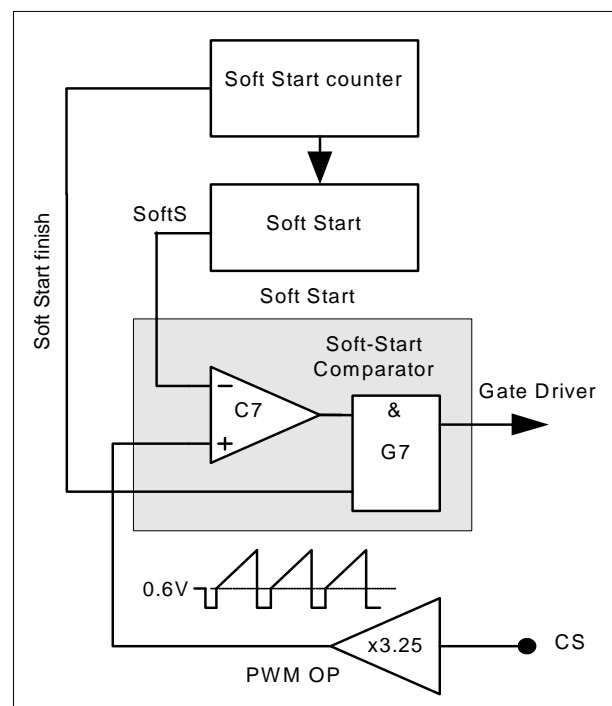


Figure 9 Soft Start

Functional Description

In the Startup Phase, the IC provides a Soft Start period to control the primary current by means of a duty cycle limitation. The Soft Start function is a built-in function and it is controlled by an internal counter.

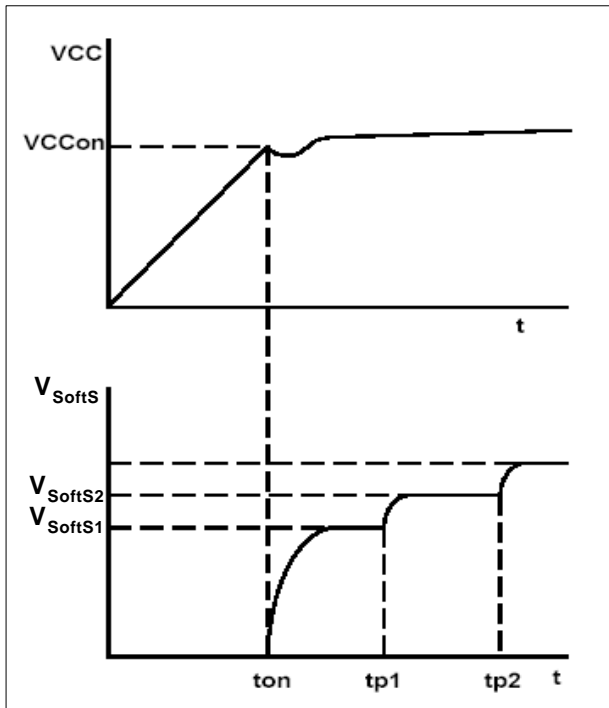


Figure 10 Soft Start Phase

When the V_{VCC} exceeds the on-threshold voltage, the IC starts the Soft Start mode (Figure 10).

The function is realized by an internal Soft Start resistor, an current sink and a counter. And the amplitude of the current sink is controlled by the counter (Figure 11).

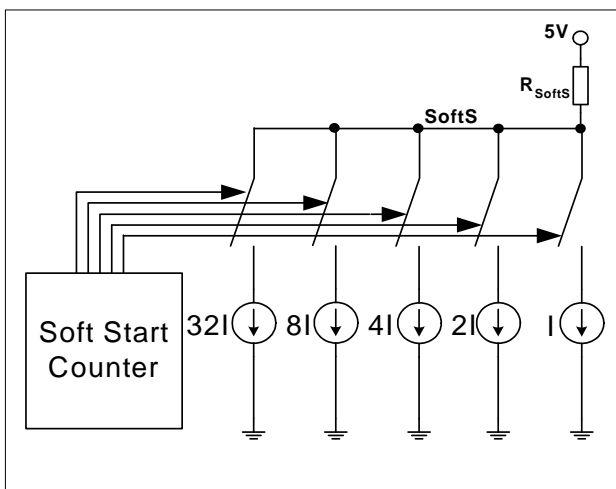


Figure 11 Soft Start Circuit

After the IC is switched on, the V_{SoftS} voltage is controlled such that the voltage is increased stepwisely (32 steps) with the increase of the counts. The Soft Start counter would send a signal to the current sink control in every 300us such that the current sink decrease gradually and the duty ratio of the gate drive increases gradually. The Soft Start will be finished in 10ms ($t_{Soft-Start}$) after the IC is switched on. At the end of the Soft Start period, the current sink is switched off.

Within the soft start period, the duty cycle is increasing from zero to maximum gradually (see Figure 12).

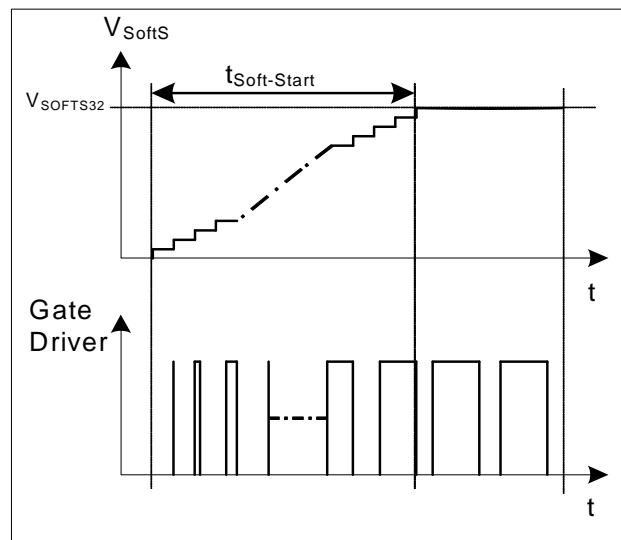


Figure 12 Gate drive signal under Soft-Start Phase

In addition to Start-Up, Soft-Start is also activated at each restart attempt during Auto Restart.

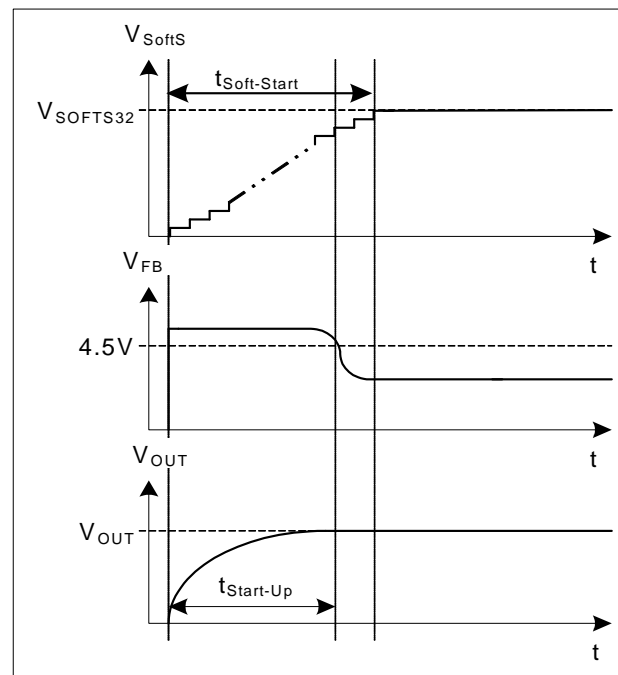


Figure 13 Start Up Phase

Functional Description

The Start-Up time $t_{\text{Start-Up}}$ before the converter output voltage V_{OUT} is settled, must be shorter than the Soft-Start Phase $t_{\text{Soft-Start}}$ (Figure 13). By means of Soft-Start there is an effective minimization of current and voltage stresses on the integrated CoolMOS®, the clamp circuit and the output rectifier and it helps to prevent saturation of the transformer during Start-Up.

3.5 PWM Section

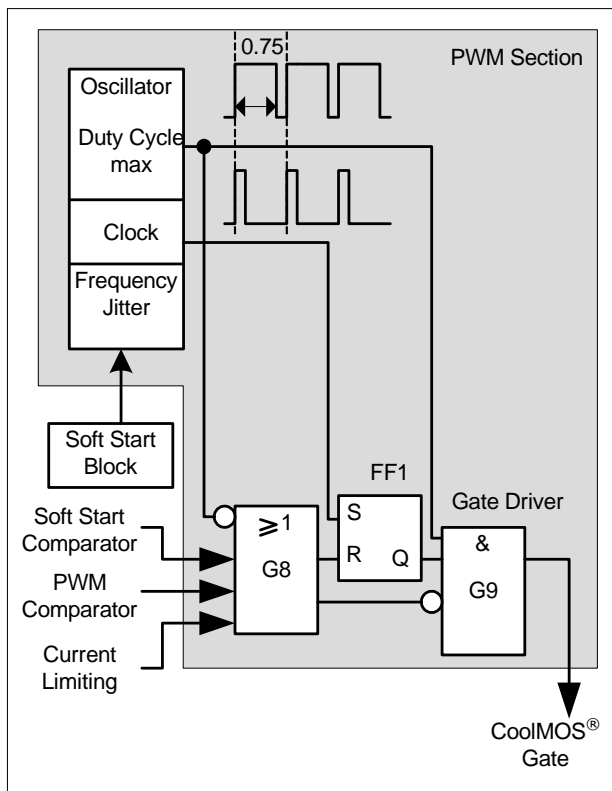


Figure 14 PWM Section Block

3.5.1 Oscillator

The oscillator generates a fixed frequency of 100kHz with frequency jittering of $\pm 4\%$ (which is $\pm 4\text{kHz}$) at a jittering period of 4ms.

A capacitor, a current source and current sink which determine the frequency are integrated. The charging and discharging current of the implemented oscillator capacitor are internally trimmed in order to achieve a very accurate switching frequency. The ratio of controlled charge to discharge current is adjusted to reach a maximum duty cycle limitation of $D_{\text{max}}=0.75$.

Once the Soft Start is over and when the IC goes into normal operating mode, the switching frequency of the clock is varied by the control signal from the Soft Start block. Then the switching frequency is varied in range of $100\text{kHz} \pm 4\text{kHz}$ at period of 4ms.

3.5.2 PWM-Latch FF1

The output of the oscillator block provides continuous pulse to the PWM-Latch which turns on/off the integrated CoolMOS®. After the PWM-Latch is set, it is reset by the PWM comparator, the Soft Start comparator or the Current-Limit comparator. When it is in reset mode, the output of the driver is shut down immediately.

3.5.3 Gate Driver

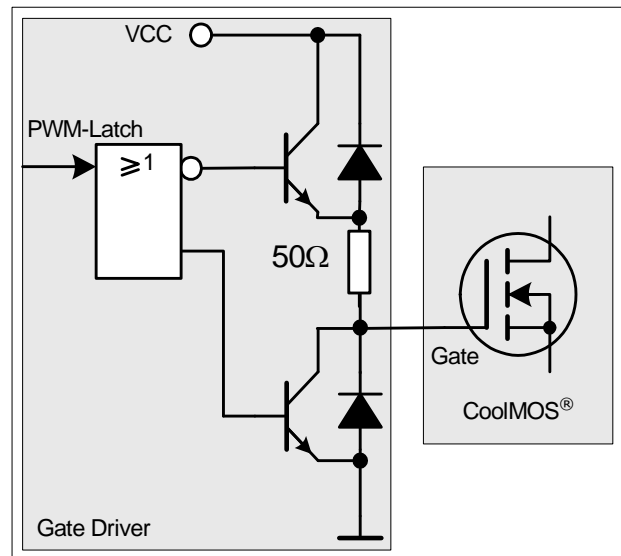


Figure 15 Gate Driver

The driver-stage is optimized to minimize EMI and to provide high circuit efficiency. This is done by reducing the switch on slope when exceeding the integrated CoolMOS® threshold. This is achieved by a slope control of the rising edge at the driver's output (Figure 16) and adding a 50Ω gate turn on resistor (Figure 15). Thus the leading switch on spike is minimized.

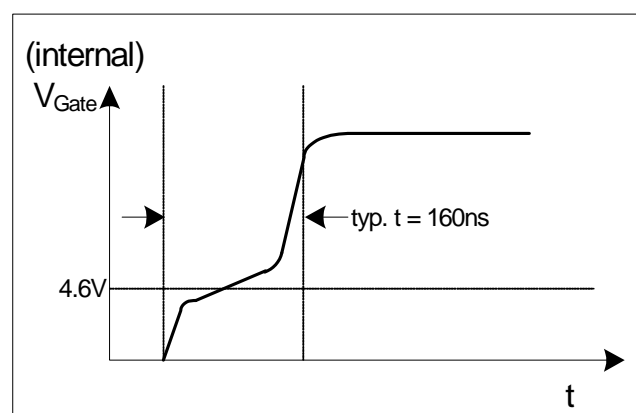


Figure 16 Gate Rising Slope

Furthermore the driver circuit is designed to eliminate cross conduction of the output stage.

Functional Description

During power up, when VCC is below the undervoltage lockout threshold V_{VCCoff} , the output of the Gate Driver is set to low in order to disable power transfer to the secondary side.

activated, the current limiting is reduced to V_{csth_burst} . This voltage level determines the maximum power level in Active Burst Mode.

3.6 Current Limiting

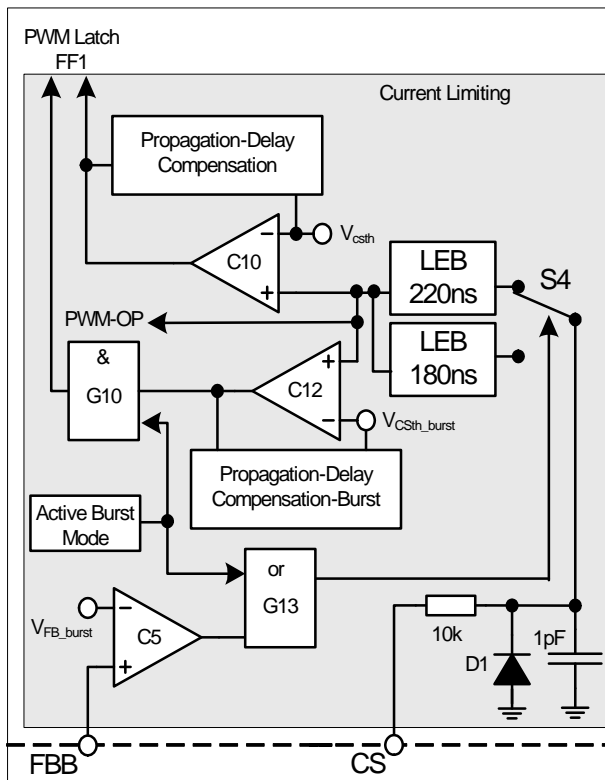


Figure 17 Current Limiting Block

There is a cycle by cycle peak current limiting operation realized by the Current-Limit comparator C10. The source current of the integrated CoolMOS® is sensed via an external sense resistor R_{Sense} . By means of R_{Sense} the source current is transformed to a sense voltage V_{Sense} which is fed into the pin CS. If the voltage V_{Sense} exceeds the internal threshold voltage V_{csth} , the comparator C10 immediately turns off the gate drive by resetting the PWM Latch FF1.

A Propagation Delay Compensation is added to support the immediate shut down of the integrated CoolMOS® with very short propagation delay. Thus the influence of the AC input voltage on the maximum output power can be reduced to minimal. This compensation applies to both the peak load and burst mode.

In order to prevent the current limit from distortions caused by leading edge spikes, a Leading Edge Blanking (LEB) is integrated in the current sense path for the comparators C10, C12 and the PWM-OP.

The output of comparator C12 is activated by the Gate G10 if Active Burst Mode is entered. When it is

3.6.1 Leading Edge Blanking

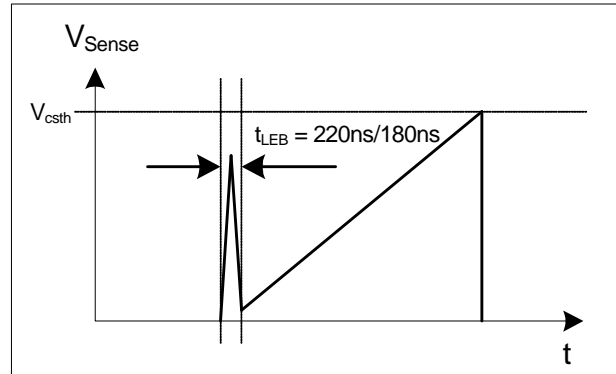


Figure 18 Leading Edge Blanking

Whenever the integrated CoolMOS® is switched on, a leading edge spike is generated due to the primary-side capacitances and reverse recovery time of the secondary-side rectifier. This spike can cause the gate drive to switch off unintentionally. In order to avoid a premature termination of the switching pulse, this spike is blanked out with a time constant of $t_{LEB} = 220ns$ for normal load and $t_{LEB} = 180ns$ for burst mode.

3.6.2 Propagation Delay Compensation (patented)

In case of overcurrent detection, there is always propagation delay to switch off the integrated CoolMOS®. An overshoot of the peak current I_{peak} is induced to the delay, which depends on the ratio of dI/dt of the peak current (Figure 19).

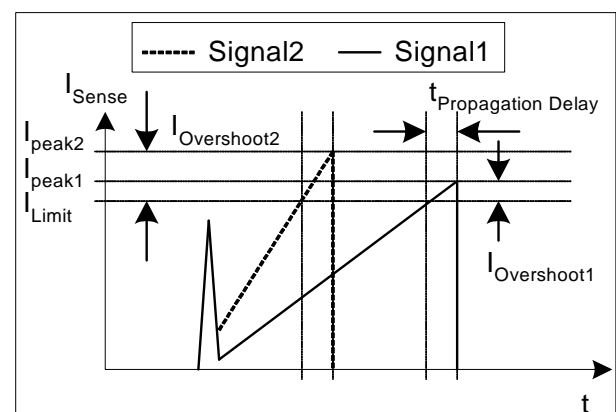


Figure 19 Current Limiting

The overshoot of Signal2 is larger than of Signal1 due to the steeper rising waveform. This change in the slope is depending on the AC input voltage. Propagation Delay Compensation is integrated to

Functional Description

reduce the overshoot due to di/dt of the rising primary current. Thus the propagation delay time between exceeding the current sense threshold V_{csth} and the switching off of the integrated CoolMOS® is compensated over temperature within a wide input range. Current Limiting is then very accurate.

For example, $I_{peak} = 0.5A$ with $R_{Sense} = 2$. The current sense threshold is set to a static voltage level $V_{csth} = 1V$ without Propagation Delay Compensation. A current ramp of $di/dt = 0.4A/\mu s$, or $dV_{Sense}/dt = 0.8V/\mu s$, and a propagation delay time of $t_{Propagation\ Delay} = 180ns$ leads to an I_{peak} overshoot of 14.4%. With the propagation delay compensation, the overshoot is only around 2% (Figure 20).

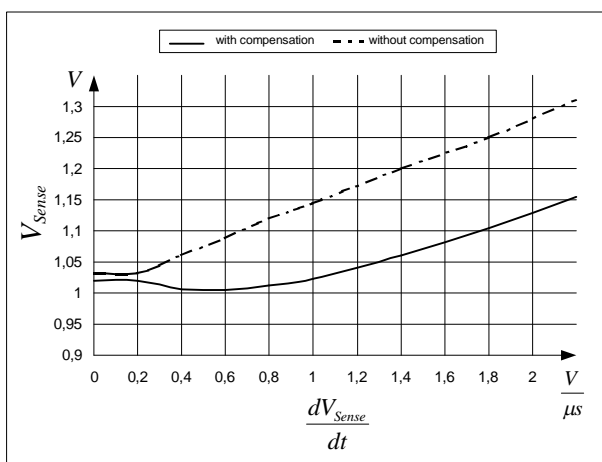


Figure 20 Overcurrent Shutdown

The Propagation Delay Compensation is realized by means of a dynamic threshold voltage V_{csth} (Figure 21). In case of a steeper slope the switch off of the driver is earlier to compensate the delay.

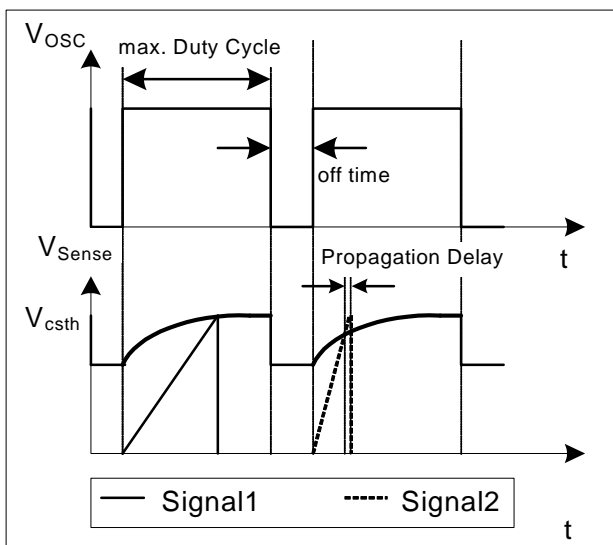


Figure 21 Dynamic Voltage Threshold V_{csth}

Similarly, the same concept of propagation delay compensation is also implemented in burst mode with reduced level, V_{csth_burst} (Figure 17). With this implementation, the entry and exit burst mode power can be very close between low line and high line input voltage.

3.7 Control Unit

The Control Unit contains the functions for Active Burst Mode and Auto Restart Mode. The Active Burst Mode and the Auto Restart Mode both have 20ms internal blanking time. For the over load Auto Restart Mode, the 20ms blanking time can be further extended by adding an external capacitor at BBA pin. With the blanking time, the IC avoids entering into those two modes accidentally. Those buffer time is very useful for the application which works in short duration of peak power occasionally.

3.7.1 Basic and Extendable Blanking Mode

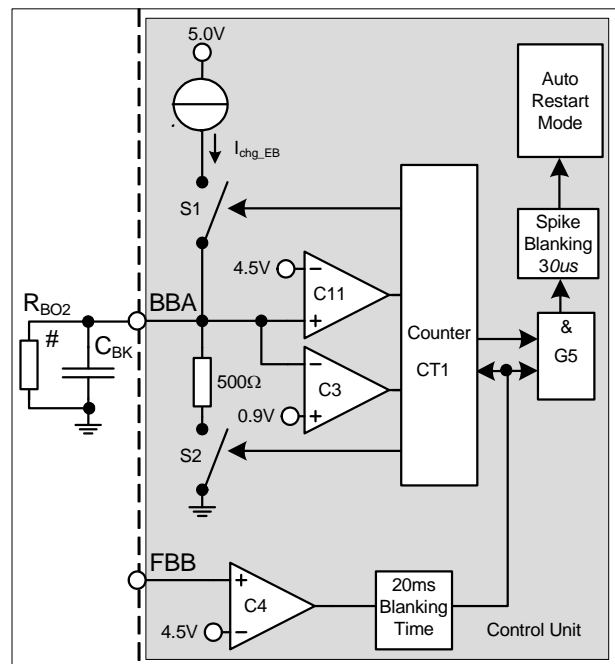


Figure 22 Basic and Extendable Blanking Mode

There are 2 kinds of Blanking mode; basic mode and the extendable mode. The basic mode is a built-in 20ms blanking time while the extendable mode can extend this blanking time by connecting an external capacitor to the BBA pin. For the extendable mode, the gate G5 remains blocked even though the 20ms blanking time is reached. After reaching the 20ms blanking time the counter is activated and the switch S1 is turned on to charge the voltage of BBA pin by the constant current source, I_{chg_EB} . When the voltage of BBA pin hits 4.5V, which is sensed by comparator C11, the counter will increase the counter by 1. Then it

Functional Description

switches off the switch S1 and turns on the switch S2. The voltage at BBA pin will be discharged through a 500Ω resistor. When the voltage drops to 0.9V which is sensed by comparator C3, the switch S2 will be turned off and the switch S1 will be turned on. Then the constant current I_{chg_EB} will charge the C_{BK} capacitor again. When the voltage at BBA hits 4.5V which is sensed by comparator C11, the counter will increase the count to 2. The process repeats until it reaches total count of 256 (Figure 23). Then the counter will release a high output signal. When the AND gate G5 detects both high signals at the inputs, it will activate the 30μs spike blanking circuit and finally the auto-restart mode will be activated.

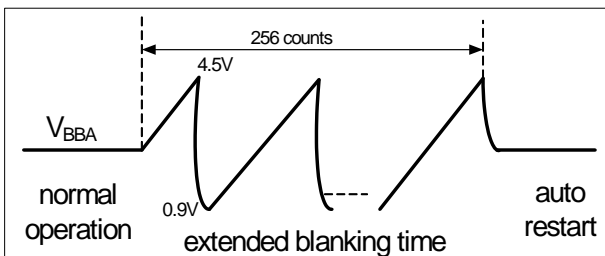


Figure 23 Waveform at extended blanking time

For example, if $C_{BK}=0.1\mu F$, $I_{chg_EB}=720\mu A$
 Extended blanking time = $256 * (C_{BK} * (4.5V - 0.9V) / I_{chg_EB} + C_{BK} * 500 * \ln(4.5/0.9)) = 148.6ms$
 Total blanking time = $20ms + 148.6ms = 168.6ms$

If there is a resistor R_{BO2} connected to BBA pin, the effective charging current will be reduced. The blanking time will be increased.

For example, if $C_{BK}=0.1\mu F$, $I_{chg_EB}=720\mu A$, $R_{BO2}=12.8K\Omega$,
 $I_{chg_EB}' = I_{chg_EB} - (4.5V + 0.9V) / (2 * R_{BO2}) = 509\mu A$
 Extended blanking time = $256 * (C_{BK} * (4.5V - 0.9V) / I_{chg_EB}' + C_{BK} * 500 * \ln(4.5/0.9)) = 201.6ms$
 Total blanking time = $20ms + 201.6 = 221.6ms$
 where $I_{chg_EB}' = \text{net charging current to } C_{BK}$

Note: The above calculation does not include the effect of the brownout circuit where there is extra biasing current flowing from the input. That means the extended blanking time will be shortened with the line voltage change if brownout circuit is implemented.

3.7.2 Active Burst Mode (patented)

To increase the efficiency of the system at light load, the most effective way is to operate at burst mode. Starting from CoolSET® F3, the IC has been employing the active burst mode and it can achieve the lowest standby power. F3R80 adopts the same concept with some more innovative improvements to the feature. It includes the adjustable entry burst level, close power control between high line and low line and the smaller output ripple during burst mode.

Most of the burst mode design in the market will provide a fixed entry burst mode level which is a ratio to the maximum power of the design. F3R80 provides a more flexible level which can be selected externally. The provision also includes not entering burst mode.

Propagation delay is the major contributor for the power control variation for DCM flyback converter. It is proved to be effective in the maximum power control. F3R80 also apply the same concept in the burst mode. Therefore, the entry and exit burst mode power is also finely controlled during burst mode.

The feedback control swing during burst mode will affect the output ripple voltage directly. F3R80 reduces the swing from 0.5V to 0.3V. Therefore, it would have around 40% improvement for the output ripple.

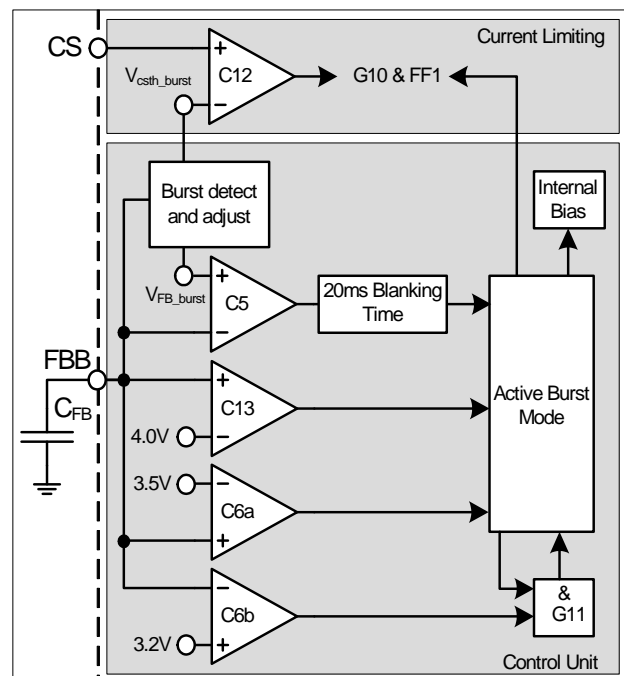


Figure 24 Active Burst Mode

The Active Burst Mode is located in the Control Unit. Figure 24 shows the related components.

3.7.2.1 Selectable burst entry level

The burst mode entry level can be selected by changing the different capacitor C_{FB} at FBB pin. There are 4 levels to be selected with different capacitor which are targeted for 10%, 6.67%, 4.38% and 0% of the maximum input power. At the same time, the exit burst level are targeted to 20%, 13.3%, 9.6% and 0% of the maximum power accordingly. The corresponding capacitance range is from 6.8nF to 100pF. The below table is the recommended capacitance range for the entry and exit level with the C_{FB} capacitor.

Functional Description

C_{FB}	Entry level		Exit level	
	% of P_{in_max}	V_{FB_burst}	% of P_{in_max}	V_{csth_burst}
$\geq 6.8nF$ (5%,X7R)	10%	1.60V	20%	0.45V
1nF~2.2nF (1%,COG)	6.67%	1.42V	13.3%	0.37V
220pF~470pF (1%,COG)	4.38%	1.27V	9.6%	0.31V
$\leq 100pF$ (1%,COG)	0%	never	0%	always

The selection is at the 1st 1ms of the UVLO "ON" ($V_{cc} > 17V$) during the 1st start up but it does not detect in the subsequent re-start due to auto-restart protection. In case there is protection triggered such as auto restart enable or brownout before starts up, the detection will be held until the protection is removed. When the V_{cc} reaches the UVLO "ON" in the 1st start up, the capacitor C_{FB} at FBB pin is charged by a 5V voltage source through the R_{FB} resistor. When the voltage at FBB pin hits 4.5V, the FF4 will be set, the switch S9 is turned "ON" and the counter will increase by 1. Then the C_{FB} is discharged through a 500 Ω resistor. After reaching 0.5V, the FF4 is reset and the switch S9 is turned "OFF". Then the C_{FB} capacitor is charged by the 5V voltage source again until it reaches 4.5V. The process repeats until the end of 1ms. Then the detection is ended. After that, the total number of count in the counter is compared and the V_{FB_burst} and the V_{cs_burst} are selected accordingly (Figure 25).

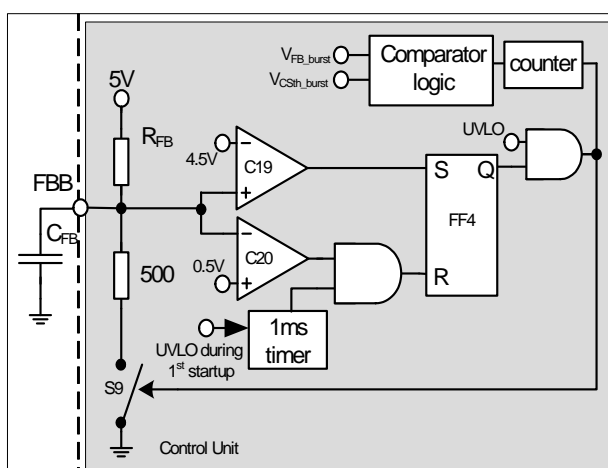


Figure 25 Entry burst mode detection

3.7.2.2 Entering Active Burst Mode

The FBB signal is kept monitoring by the comparator C5 (Figure 24). During normal operation, the internal blanking time counter is reset to 0. When FBB signal

falls below V_{FB_burst} , it starts to count. When the counter reaches 20ms and FBB signal is still below V_{FB_burst} , the system enters the Active Burst Mode. This time window prevents a sudden entering into the Active Burst Mode due to large load jumps.

After entering Active Burst Mode, a burst flag is set and the internal bias is switched off in order to reduce the current consumption of the IC to about 620 μ A.

It needs the application to enforce the V_{CC} voltage above the Undervoltage Lockout level of 10.5V such that the Startup Cell will not be switched on accidentally. Or otherwise the power loss will increase drastically. The minimum V_{CC} level during Active Burst Mode depends on the load condition and the application. The lowest V_{CC} level is reached at no load condition.

3.7.2.3 Working in Active Burst Mode

After entering the Active Burst Mode, the FBB voltage rises as V_{OUT} starts to decrease, which is due to the inactive PWM section. The comparator C6a monitors the FBB signal. If the voltage level is larger than 3.5V, the internal circuit will be activated; the Internal Bias circuit resumes and starts to provide switching pulse. In Active Burst Mode the gate G10 is released and the current limit is reduced to V_{csth_burst} (Figure 2 and 24). In one hand, it can reduce the conduction loss and the other hand, it can reduce the audible noise. If the load at V_{OUT} is still kept unchanged, the FBB signal will drop to 3.2V. At this level the C6b deactivates the internal circuit again by switching off the Internal Bias. The gate G11 is active again as the burst flag is set after entering Active Burst Mode. In Active Burst Mode, the FBB voltage is changing like a saw tooth between 3.2V and 3.5V (Figure 26).

3.7.2.4 Leaving Active Burst Mode

The FBB voltage will increase immediately if there is a high load jump. This is observed by the comparator C13 (Figure 24). Since the current limit is reduced to 31%~45% of the maximum current during active burst mode, it needs a certain load jump to rise the FBB signal to exceed 4.0V. At that time the comparator C5 resets the Active Burst Mode control which in turn blocks the comparator C12 by the gate G10. The maximum current can then be resumed to stabilize V_{OUT} .

Functional Description

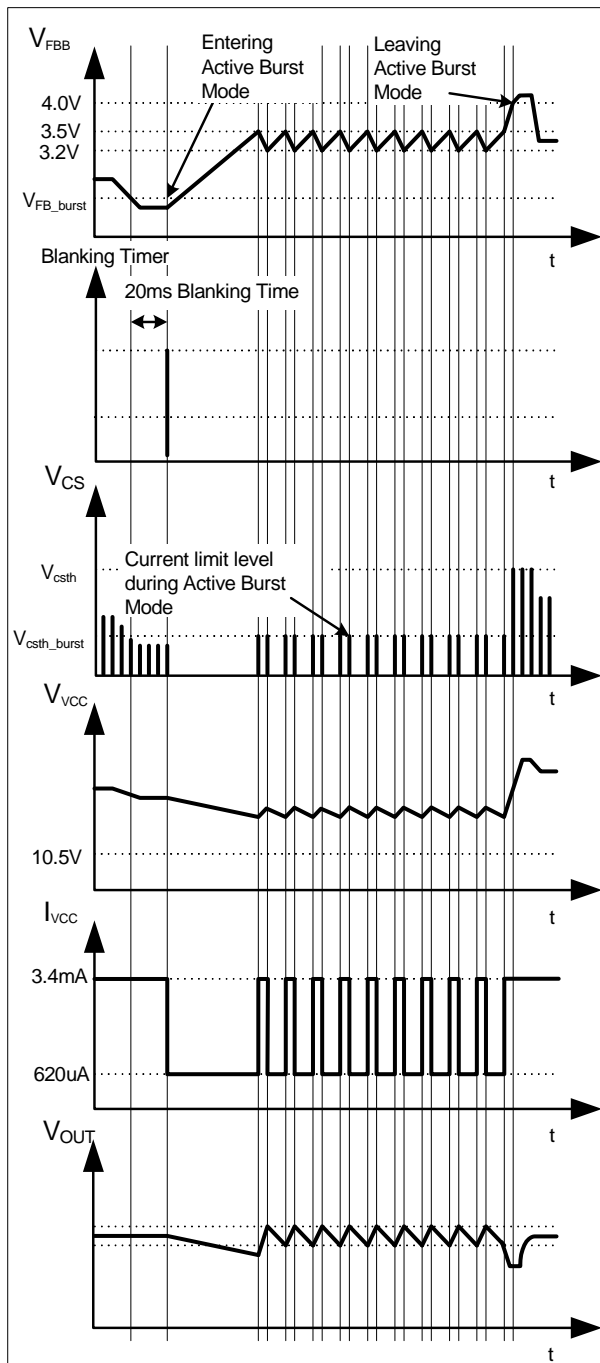


Figure 26 Signals in Active Burst Mode

3.7.3 Protection Modes

The IC provides Auto Restart mode as the major protection feature. Auto Restart mode can prevent the SMPS from destructive states. There are 3 kinds of auto restart mode; normal auto restart mode, odd skip auto restart mode and non switch auto restart mode. Odd skip auto restart mode is that there is no detect of fault and no switching pulse for the odd number restart cycle. At the even number of restart cycle the fault

detect and soft start switching pulses maintained. If the fault persists, it would continue the auto-restart mode. However, if the fault is removed, it can release to normal operation only at the even number auto restart cycle (Figure 27).

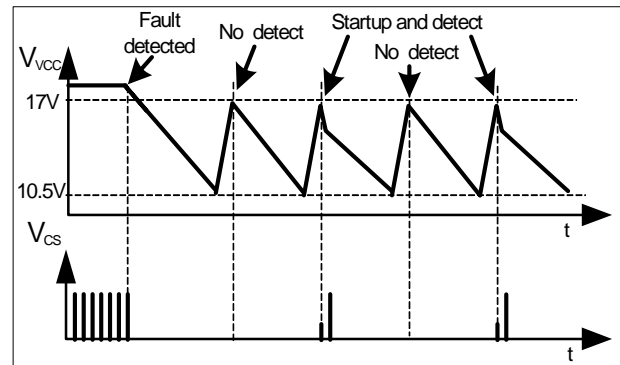


Figure 27 Odd skip auto restart waveform

Non switch auto restart mode is similar to odd skip auto restart mode except the start up switching pulses are also suppressed at the even number of the restart cycle. The detection of fault still remains at the even number of the restart cycle. When the fault is removed, the IC will resume to normal operation at the even number of the restart cycle (Figure 28).

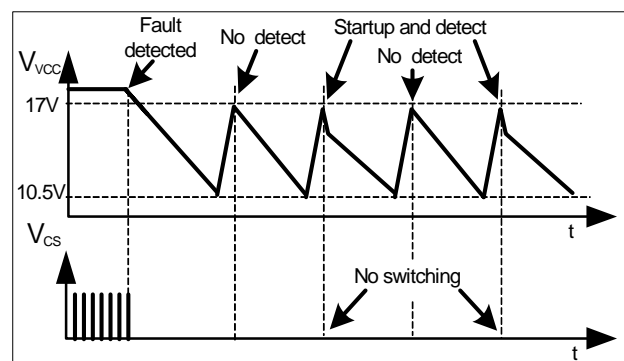


Figure 28 non switch auto restart waveform

The main purpose of the odd skip auto restart is to extend the restart time such that the power loss during auto restart protection can be reduced. This feature is particularly good for smaller Vcc capacitor where the restart time is shorter.

The following table lists the possible system failures and the corresponding protection modes.

VCC Over voltage (1)	Odd skip Auto Restart Mode
VCC Over voltage (2)	Odd skip Auto Restart Mode
Over load	Odd skip Auto Restart Mode
Open Loop	Odd skip Auto Restart Mode

Functional Description

VCC Undervoltage	Normal Auto Restart Mode
Short Optocoupler	Normal Auto Restart Mode
Over temperature	Non switch Auto Restart Mode
External protection enable	Non switch Auto Restart Mode

3.7.3.1 Vcc OVP, OTP, external protection enable and Vcc under voltage

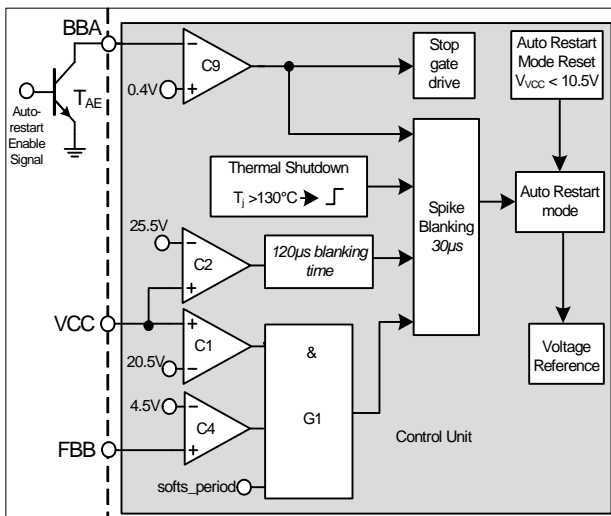


Figure 29 Vcc OVP, OTP, external protection enable

There are 2 types of Vcc over voltage protection; Vcc OVP (1) and Vcc OVP (2). The Vcc OVP (1) takes action only during the soft start period. The Vcc OVP (2) takes the action in any conditions.

Vcc OVP (1) condition is when V_{VCC} voltage is $> 20.5V$, V_{FBB} voltage is $> 4.5V$ and during soft start period, the IC enters into odd skip Auto Restart Mode. This condition likely happens during start up at open loop fault. (Figure 29).

Vcc OVP (2) condition is when V_{VCC} voltage is $> 25.5V$, the IC enters into odd skip Auto Restart Mode (Figure 29).

The over temperature protection OTP is sensed inside the controller IC. The Thermal Shutdown block keeps on monitoring the junction temperature of the controller. After detecting a junction temperature higher than $130^{\circ}C$, the IC will enter into the non switch Auto Restart mode. The F3R80 has also implemented with a $50^{\circ}C$ hysteresis. That means the IC can only be recovered when the controller junction temperature is dropped $50^{\circ}C$ lower than the over temperature trigger point (Figure 29).

The external auto restart enable feature can provide a flexibility to a customer's self-defined protection feature. This function can be triggered by pulling down the V_{BBA} voltage to $< 0.4V$. Or it can simply trigger the

base pin of an external transistor, T_{AE} at the BBA pin. When this function is enabled, it will enter into the non switch auto restart mode. The gate drive is stopped and there is no switching pulse before it is recovered (Figure 29).

The Vcc undervoltage and short opto-coupler will go into the normal auto restart mode inherently.

In case of VCC undervoltage, the Vcc voltage drops indefinitely. When it drops below the Vcc under voltage lock out "OFF" voltage (10.5V), the IC will turn off the IC and the startup cell will turn on again. Then the Vcc voltage will be charged up to UVLO "ON" voltage (17V) and the IC turns on again provided the startup cell charge up current is not drained by the fault. If the fault is not removed, the Vcc will continue to drop until it hits UVLO "OFF" voltage and the restart cycle repeats.

Short Optocoupler can lead to Vcc undervoltage because once the opto-coupler (transistor side) is shorted, the feedback voltage will drop to zero and there will be no switching pulse. Then the Vcc voltage will drop same as the Vcc undervoltage.

3.7.3.2 Over load, open loop protection

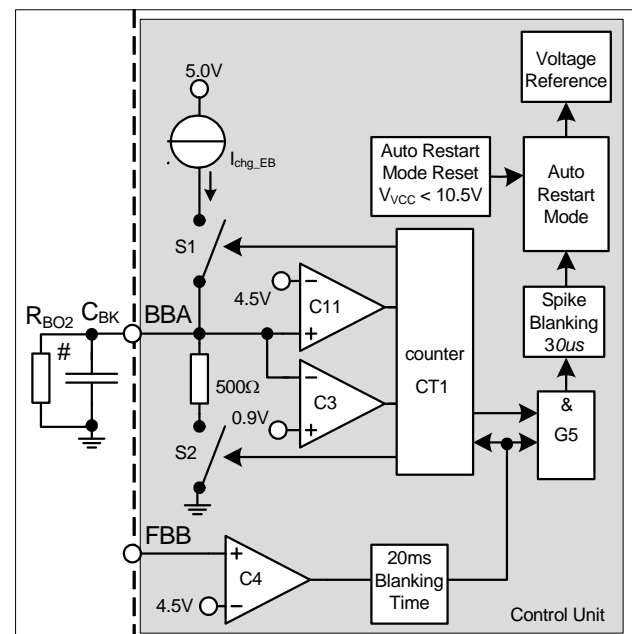


Figure 30 Over load, open loop protection

In case of Overload or Open Loop, the V_{FBB} voltage exceeds 4.5V which will be observed by comparator C4. Then the built-in blanking time counter starts to count. When it reaches 20ms, the extended blanking time counter CT1 is activated. The switch S2 is turned on and the voltage at the BBA pin will be discharged through 500Ω resistor. When it drops to 0.9V, the switch S2 is turned off and the Switch S1 is turned on. Then a constant current source I_{chg_EB} will start to charge up BBA pin. When the voltage hits 4.5V which is monitored by comparator C11, the switch S1 is

Functional Description

turned off and the count will increase by 1. Then the switch S2 will turn on again and the voltage will drop to 0.9V and rise to 4.5V again. The count will then increase by 1 again. When the total count reaches 256, the counter CT1 will stop and it will release a high output signal. When both the input signals at AND gate G5 is high, the odd skip Auto Restart Mode is activated after the 30us spike blanking time (Figure 30).

The total blanking time depends on the addition of the built-in and the extended blanking time. If there is no C_{BK} capacitor at BBA pin, the count will finish within 0.1ms and the equivalent blanking time is just the built-in time of 20ms. However, if the C_{BK} capacitor is big enough, it can be as long as 1s. If C_{BK} is 0.1uF and I_{chg_EB} is 720uA, the extendable blanking time is around 148.6ms and the total blanking time is 168.6ms.

Since the BBA pin is a multi-function pin, it would share with different functions. The resistor R_{BO2} from brownout feature application may however affect the extendable blanking time (Figure 30). Thus it should take the R_{BO2} into the calculation of the extendable blanking time. For example the extended blanking time may be changed from 148.6ms to 201.6ms for without and having the 12.8K Ω R_{BO2} resistor. The list below shows one particular C_{BK} , R_{BO2} vs blanking time.

C_{BK}	R_{BO2}	Extended blanking time	Overall blanking time
0.1uF	-	148.6ms	168.6ms
0.1uF	37.5K Ω	162.8ms	182.8ms
0.1uF	12.8K Ω	201.6ms	221.6ms

Another factor to affect the extended blanking time is the input voltage through the R_{BO1} and R_{BO2} . It would, on the contrary, reduce the extended blanking time.

3.7.4 Brownout Mode

When the AC input voltage is removed, the voltage at the bulk capacitor will fall. When it reaches a point that the system is greater than the system allowed maximum power, the system may go into over load protection. However, this kind of protection is not welcome for some of the applications such as auxiliary power for PC/server system because the output is in hiccup mode due to over load protection (auto restart mode). The brownout mode is to eliminate this phenomenon. The IC will sense the input voltage through the bulk capacitor to the BBA pin by 2 potential divider resistors, R_{BO1} and R_{BO2} (Figure 31).

When the system is powered up, the bulk capacitor and the Vcc capacitor are charged up at the same time. When the Vcc voltage is charged to >7V, the brownout circuit start to operate (Figure 31). Since the UVLO is still at low level as the Vcc voltage does not reach the 17V UVLO "ON" voltage. The NAND gate G20 will

release a low signal to the flip flop FF5 and the negative output of FF5 will release a high signal to turn on the switch S3. The constant load LD6 will start to draw constant current I_{chg_BO} from the BBA pin. That means the brownout mode is default "ON" during the system starts up.

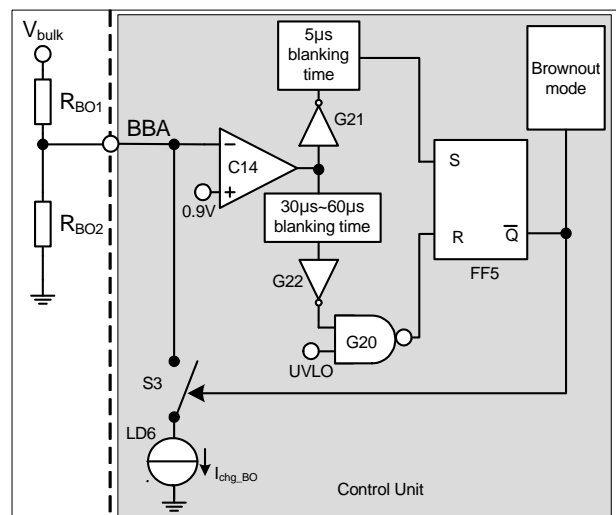


Figure 31 Brownout detection circuit

Once the system enters the brownout mode, there will be no switching pulse and the IC enters into another type auto-restart mode which is similar to the protection auto-restart mode but the IC will monitor the BBA signal in each restart cycle (Figure 32).

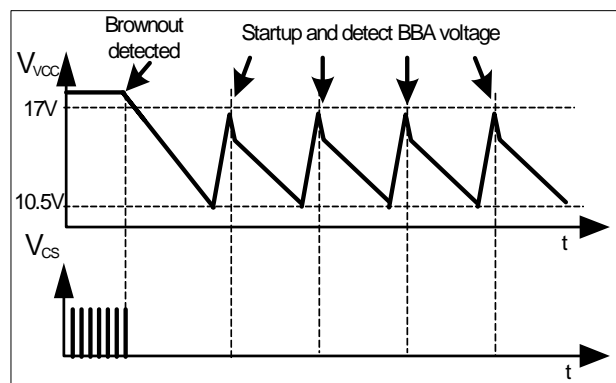


Figure 32 Brownout mode waveform

The voltage at bulk capacitor V_{bulk} continues to increase and so is the voltage at BBA. When the BBA voltage reaches 0.9V, the output of OPAMP C14 will become low. Through the inverter gate G21, the "S" input of the flip flop FF5 is changed to high. Then the negative output of FF5 is low. The brownout mode is then "OFF" and the constant current load LD6 is also "OFF" through the turn-off of the S3. The system will

Functional Description

turn on with soft start in the coming restart cycle when Vcc reaches the Vcc “ON” voltage 17V.

When there is an input voltage drop, the BBA voltage also drops. When the voltage at BBA pin falls below 0.9V, the output of OPAMP C14 is changed to high. The inverter gate G22 will change the high input to low output. Then the NAND gate G22 will have a high output. The negative output of the flip flop FF5 is then become high. The constant load LD6 is “ON” again and the IC enters the brownout mode where the Vcc swings between 10.5V and 17V without any switching pulse.

The formula to calculate the R_{BO1} and R_{BO2} are as below.

$$R_{BO1} = V_{hys} / I_{chg_BO}$$

$$R_{BO2} = V_{ref_BO} * R_{BO1} / (V_{BO_l} - V_{ref_BO})$$

where V_{BO_l} : input brownout voltage (low point); V_{hys} : input brownout hysteresis voltage; V_{ref_BO} : IC reference voltage for brownout; R_{BO1} and R_{BO2} : resistors divider from input voltage to BBA pin

For example,

$$I_{chg_BO} = 10\mu A, V_{ref_BO} = 0.9V,$$

Case 1:

if brownout voltage is 70Vac on and 100Vac off, then brownout voltage, $V_{BO_f} = 100Vdc$, hysteresis voltage, $V_{BO_hys} = 43Vdc$, $R_{BO1} = 4.3M\Omega$, $R_{BO2} = 39K\Omega$

Case 2:

if brownout voltage is 100Vac on and 120Vac off, then brownout voltage, $V_{BO_f} = 141Vdc$, hysteresis voltage, $V_{BO_hys} = 28Vdc$, $R_{BO1} = 2.8M\Omega$, $R_{BO2} = 18K\Omega$

Case 3:

if brownout voltage is 120Vac on and 160Vac off, then brownout voltage, $V_{BO_f} = 169Vdc$, hysteresis voltage, $V_{BO_hys} = 56Vdc$, $R_{BO1} = 5.6M\Omega$, $R_{BO2} = 30K\Omega$

The summary is listed below.

Case	V_{BO_l}	V_{BO_h}	V_{BO_hys}	R_{BO1}	R_{BO2}
1	100V	143V	43V	4.3M Ω	39K Ω
2	141V	169V	28V	2.8M Ω	18K Ω
3	169V	225V	56V	5.6M Ω	30K Ω

Note: The above calculation assumes the tapping point (bulk capacitor) has a stable voltage with no ripple voltage. If there is ripple in the input voltage, it should take the highest voltage for the calculation; $V_{BO_l} +$ ripple voltage. Besides that the low side brownout voltage V_{BO_l} added with the ripple voltage at the tapping point should always be lower than the high side brownout voltage (V_{BO_h}); $V_{BO_h} > V_{BO_l} +$ ripple voltage. Otherwise, the brownout feature cannot work properly. In short, when there is a high load running in system before entering brownout, the input ripple voltage will increase and the brownout voltage will increase ($V_{BO_l} = V_{BO_l} +$ ripple voltage) at the same time. If the V_{BO_hys} is set too small and is close to the ripple voltage, then the brownout feature cannot work properly ($V_{BO_l} = V_{BO_h}$).

If the brownout feature is not needed, it needs to tie the BBA pin to the Vcc pin through a current limiting resistor, 500K Ω ~1M Ω . The BBA pin cannot be in floating condition. If the brownout feature is disabled with a tie up resistor, there is a limitation of the capacitor C_{BK} at the BBA pin. It is as below.

	Vcc tie up resistor	C_{BK_max}
1	500K Ω	0.47 μ F
2	1M Ω	0.22 μ F

3.7.5 Action sequence at BBA pin

Since there are 3 functions at the same BBA pin; brownout, extended blanking time and the auto-restart enable, the actions of sequence are set as per the below table in case of several features happens simultaneously.

	1st	Auto-restart enable	Extended blanking time	Brownout
2nd				
Auto-restart enable		Auto-restart enable	Auto-restart enable	Brownout
Extended blanking time		Auto-restart enable	Extended blanking time	Brownout
Brownout		Auto-restart enable	Extended blanking time	Brownout

The top row of the table is the first happened feature and the left column is the second happened feature. For example,

Case 1:

The “Auto-restart enable” feature happened first and it follows with the “Extended blanking time” feature. Then the “Auto-restart enable” feature will continue to hold and the “Extended blanking time” feature is ignored.

Functional Description

Case 2:

The “Extended blanking time” feature happened first and it follows with the “Auto-restart enable” feature. Then the “Auto-restart enable” feature will take the priority and the “Extended blanking time” feature is overridden.

Case 3:

The “Extended blanking time” feature happened first and it follows with the “Brownout” feature. Then the “Extended blanking time” feature will continue to work until it ends. After that if the over load fault is removed the “Brownout” feature takes the action.

Case 4:

The “Brownout” feature happened first and it follows with the “Auto-restart enable” feature. Then the “Brownout” feature will continue to work and the “Auto-restart enable” feature is ignored.

One typical case happened is that the “Extended blanking time” feature happened first and it follows with the “Brownout” feature. If, however, the over load fault is removed before the end of the extended blanking time, the “Brownout” feature can take action only after 20ms buffer time.

4 Electrical Characteristics

Note: All voltages are measured with respect to ground (Pin 8). The voltage levels are valid if other ratings are not violated.

4.1 Absolute Maximum Ratings

Note: Absolute maximum ratings are defined as ratings, which when being exceeded may lead to destruction of the integrated circuit. For the same reason make sure, that any capacitor that will be connected to pin 7 (VCC) is discharged before assembling the application circuit. $T_a=25^\circ\text{C}$ unless otherwise specified.

Parameter	Symbol	Limit Values		Unit	Remarks
		min.	max.		
Drain Source Voltage	V_{DS}	-	800	V	
Pulse drain current, t_p limited by T_{jmax}	I_{D_Puls}	-	4.9	A	
Avalanche energy, repetitive t_{AR} limited by max. $T_j=150^\circ\text{C}^{1)}$	E_{AR}	-	0.047	mJ	
Avalanche current, repetitive t_{AR} limited by max. $T_j=150^\circ\text{C}$	I_{AR}	-	1.5	A	
VCC Supply Voltage	V_{VCC}	-0.3	27	V	
FBB Voltage	V_{FBB}	-0.3	5.5	V	
BBA Voltage	V_{BBA}	-0.3	5.5	V	
CS Voltage	V_{CS}	-0.3	5.5	V	
Junction Temperature	T_j	-40	150	$^\circ\text{C}$	Controller & CoolMOS®
Storage Temperature	T_S	-55	150	$^\circ\text{C}$	
Thermal Resistance Junction -Ambient	R_{thJA}	-	96	K/W	
Soldering temperature, wavesoldering only allowed at leads	T_{sold}	-	260	$^\circ\text{C}$	1.6mm (0.063in.) from case for 10s
ESD Capability (incl. Drain Pin)	V_{ESD}	-	2	kV	Human body model ²⁾

1) Repetitive avalanche causes additional power losses that can be calculated as $P_{AV}=E_{AR} \cdot f$

2) According to EIA/JESD22-A114-B (discharging a 100pF capacitor through a 1.5kΩ series resistor)

Electrical Characteristics
4.2 Operating Range

Note: Within the operating range the IC operates as described in the functional description.

Parameter	Symbol	Limit Values		Unit	Remarks
		min.	max.		
VCC Supply Voltage	V_{VCC}	V_{VCCoff}	25	V	Max value limited due to Vcc OVP
Junction Temperature of Controller	T_{JCon}	-25	130	°C	Max value limited due to thermal shut down of controller
Junction Temperature of CoolMOS®	$T_{JCoolMOS}$	-25	150	°C	

4.3 Characteristics
4.3.1 Supply Section

Note: The electrical characteristics involve the spread of values within the specified supply voltage and junction temperature range T_J from -25 °C to 125 °C . Typical values represent the median values, which are related to 25 °C . If not otherwise stated, a supply voltage of $V_{CC} = 17\text{ V}$ is assumed.

Parameter	Symbol	Limit Values			Unit	Test Condition
		min.	typ.	max.		
Start Up Current	$I_{VCCstart}$	-	200	300	μA	$V_{VCC} = 16\text{V}$
VCC Charge Current	$I_{VCCcharge1}$	-	-	5.0	mA	$V_{VCC} = 0\text{V}$
	$I_{VCCcharge2}$	0.55	0.9	1.60	mA	$V_{VCC} = 1\text{V}$
	$I_{VCCcharge3}$	0.38	0.7	-	mA	$V_{VCC} = 16\text{V}$
Leakage Current of Start Up Cell and CoolMOS®	$I_{StartLeak}$	-	0.2	50	μA	$V_{Drain} = 650\text{V}$ at $T_J = 100\text{ °C}$ ¹⁾
Supply Current with Inactive Gate	$I_{VCCsup1}$	-	1.9	3.2	mA	
Supply Current with Active Gate	$I_{VCCsup2}$	-	3.4	4.8	mA	$I_{FBB} = 0\text{A}$
Supply Current in Auto Restart Mode with Inactive Gate	$I_{VCCrestart}$	-	320	-	μA	$I_{FBB} = 0\text{A}$
Supply Current in Active Burst Mode with Inactive Gate	$I_{VCCburst1}$	-	620	950	μA	$V_{FBB} = 2.5\text{V}$
	$I_{VCCburst2}$	-	620	950	μA	$V_{VCC} = 11.5\text{V}$, $V_{FBB} = 2.5\text{V}$
VCC Turn-On Threshold	V_{VCCon}	16.0	17.0	18.0	V	
VCC Turn-Off Threshold	V_{VCCoff}	9.8	10.5	11.2	V	
VCC Turn-On/Off Hysteresis	V_{VCChys}	-	6.5	-	V	

¹⁾ The parameter is not subjected to production test - verified by design/characterization

Electrical Characteristics
4.3.2 Internal Voltage Reference

Parameter	Symbol	Limit Values			Unit	Test Condition
		min.	typ.	max.		
Trimmed Reference Voltage	V_{REF}	4.90	5.00	5.10	V	measured at pin FBB $I_{FBB} = 0$

4.3.3 PWM Section

Parameter	Symbol	Limit Values			Unit	Test Condition
		min.	typ.	max.		
Fixed Oscillator Frequency	f_{OSC1}	87	100	113	kHz	
	f_{OSC2}	92	100	108	kHz	$T_j = 25^\circ\text{C}$
Frequency Jittering Range	f_{jitter}	-	± 4.0	-	kHz	$T_j = 25^\circ\text{C}$
Frequency Jittering period	T_{jitter}	-	4.0	-	ms	$T_j = 25^\circ\text{C}$
Max. Duty Cycle	D_{max}	0.70	0.75	0.80		
Min. Duty Cycle	D_{min}	0	-	-		$V_{FBB} < 0.3\text{V}$
PWM-OP Gain	A_V	3.05	3.25	3.45		
Voltage Ramp Offset	$V_{Offset-Ramp}$	-	0.60	-	V	
V_{FBB} Operating Range Min Level	V_{FBmin}	-	0.7	-	V	
V_{FBB} Operating Range Max level	V_{FBmax}	-	-	4.3	V	CS=1V, limited by Comparator C4 ¹⁾
FBB Pull-Up Resistor	R_{FB}	9.0	15.4	22.0	k Ω	

¹⁾ The parameter is not subjected to production test - verified by design/characterization

4.3.4 Soft Start time

Parameter	Symbol	Limit Values			Unit	Test Condition
		min.	typ.	max.		
Soft Start time	t_{SS}	-	10	-	ms	

Electrical Characteristics
4.3.5 Control Unit

Parameter		Symbol	Limit Values			Unit	Test Condition
			min.	typ.	max.		
Brownout reference voltage for comparator C14		V_{BO_ref}	0.80	0.90	1.00	V	
Blanking time voltage lower limit for Comparator C3		V_{BKC3}	0.80	0.90	1.00	V	
Blanking time voltage upper limit for Comparator C11		V_{BKC11}	4.28	4.50	4.72	V	
Over Load Limit for Comparator C4		V_{FBC4}	4.28	4.50	4.72	V	
Entry Burst select High level for Comparator C19		V_{FBC19}	4.28	4.50	4.72	V	
Entry Burst select Low level for Comparator C20		V_{FBC20}	0.40	0.50	0.60	V	
Active Burst Mode Entry Level for Comparator C5	10% P_{in_max}	V_{FB_burst1}	1.51	1.60	1.69	V	< 7 counts
	6.67% P_{in_max}	V_{FB_burst2}	1.34	1.42	1.50	V	8 ~ 39 counts
	4.38% P_{in_max}	V_{FB_burst3}	1.20	1.27	1.34	V	40 ~ 191 counts
Active Burst Mode High Level for Comparator C6a		V_{FBC6a}	3.35	3.50	3.65	V	In Active Burst Mode
Active Burst Mode Low Level for Comparator C6b		V_{FBC6b}	3.06	3.20	3.34	V	
Active Burst Mode Level for Comparator C13		V_{FBC13}	3.85	4.00	4.15	V	
Overvoltage Detection Limit for Comparator C1		$V_{VCCOVP1}$	19.5	20.5	21.5	V	$V_{FBB} = 5V$, during soft start
Overvoltage Detection Limit for Comparator C2		$V_{VCCOVP2}$	25.0	25.5	26.3	V	
Auto-restart enable reference voltage for Comparator C9		V_{AE}	0.25	0.40	0.45	V	
Charging current for extended blanking time		I_{chg_EB}	480	720	864	μA	
Charging current for brownout		I_{chg_BO}	9.0	10.0	10.8	μA	
Thermal Shutdown ¹⁾		T_{jSD}	130	140	150	$^{\circ}C$	Controller
Hysteresis for thermal Shutdown ¹⁾		T_{jSD_hys}	-	50	-	$^{\circ}C$	
Built-in Blanking Time for Overload Protection or enter Active Burst Mode		t_{BK}	-	20	-	ms	
Timer for entry burst select		t_{EBS}	-	1	-	ms	
Spike Blanking Time for Auto-Restart Protection		t_{Spike}	-	30	-	μs	

¹⁾ The parameter is not subjected to production test - verified by design/characterization. The thermal shutdown temperature refers to the junction temperature of the controller.

Note: The trend of all the voltage levels in the Control Unit is the same regarding the deviation except V_{VCCOVP}

Electrical Characteristics
and V_{VCCPD}
4.3.6 Current Limiting

Parameter	Symbol	Limit Values			Unit	Test Condition	
		min.	typ.	max.			
Peak Current Limitation (incl. Propagation Delay)	V_{csth}	0.99	1.06	1.13	V	$dV_{sense}/dt = 0.6V/\mu s$ (Figure 20)	
Peak Current Limitation during Active Burst Mode	20% P_{in_max}	V_{csth_burst1}	0.39	0.45	0.51	V	< 7 counts
	13.3% P_{in_max}	V_{csth_burst2}	0.32	0.37	0.44	V	8 ~ 39 counts
	9.6% P_{in_max}	V_{csth_burst3}	0.25	0.31	0.37	V	40 ~ 191 counts
Leading Edge Blanking	Normal mode	t_{LEB_normal}	-	220	-	ns	
	Burst mode	t_{LEB_burst}	-	180	-	ns	
CS Input Bias Current	I_{CSbias}	-1.5	-0.2	-	μA	$V_{CS}=0V$	

4.3.7 CoolMOS® Section

Parameter	Symbol	Limit Values			Unit	Test Condition
		min.	typ.	max.		
Drain Source Breakdown Voltage	$V_{(BR)DSS}$	800	-	-	V	$T_j = 25^\circ C$
		870	-	-	V	$T_j = 110^\circ C^{1)}$
Drain Source On-Resistance	R_{DSon}	-	2.26	2.62	Ω	$T_j = 25^\circ C$
		-	5.02	5.81	Ω	$T_j = 125^\circ C^{1)}$
		-	6.14	7.10	Ω	$T_j = 150^\circ C^{1)}$ at $I_D = 0.81A$
Effective output capacitance, energy related	$C_{o(er)}$	-	16.3	-	pF	$V_{DS} = 0V$ to 480V
Rise Time	t_{rise}	-	30 ²⁾	-	ns	
Fall Time	t_{fall}	-	30 ²⁾	-	ns	

1) The parameter is not subjected to production test - verified by design/characterization

2) Measured in a Typical Flyback Converter Application

CoolMOS® Performance Characteristic

5 CoolMOS® Performance Characteristic

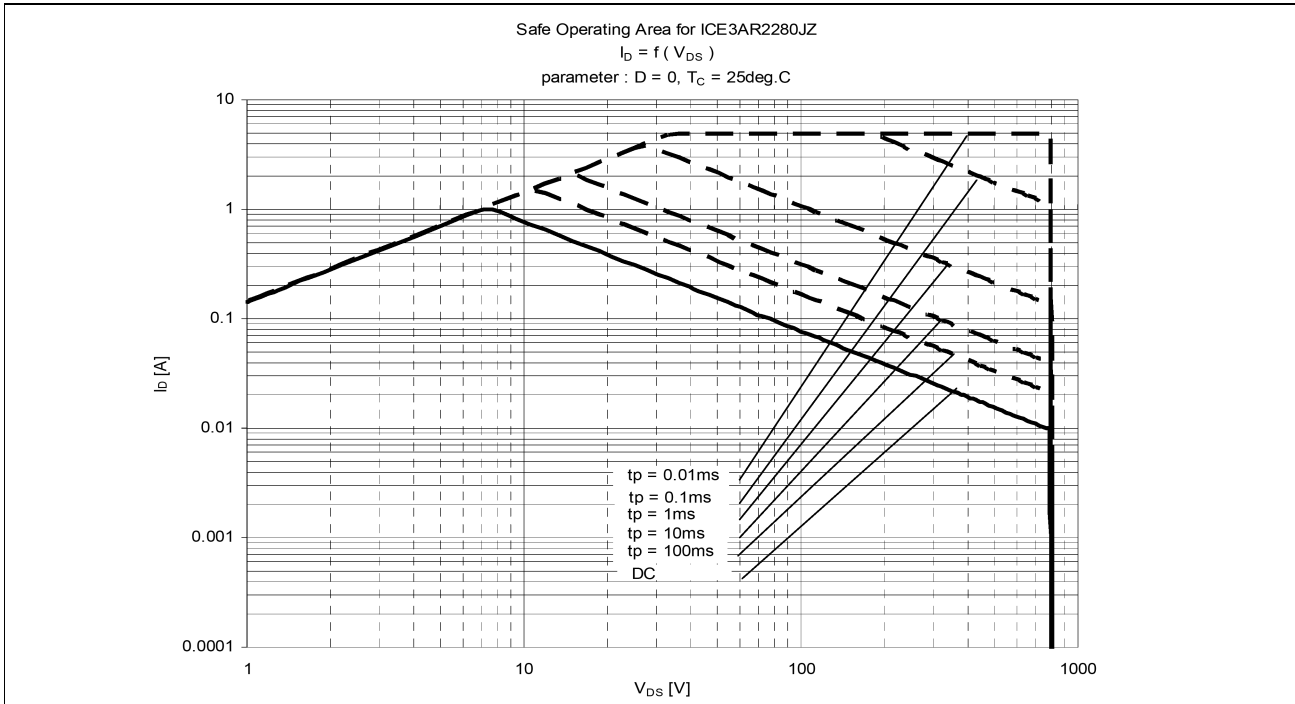


Figure 33 Safe Operating Area (SOA) curve for ICE3AR2280JZ

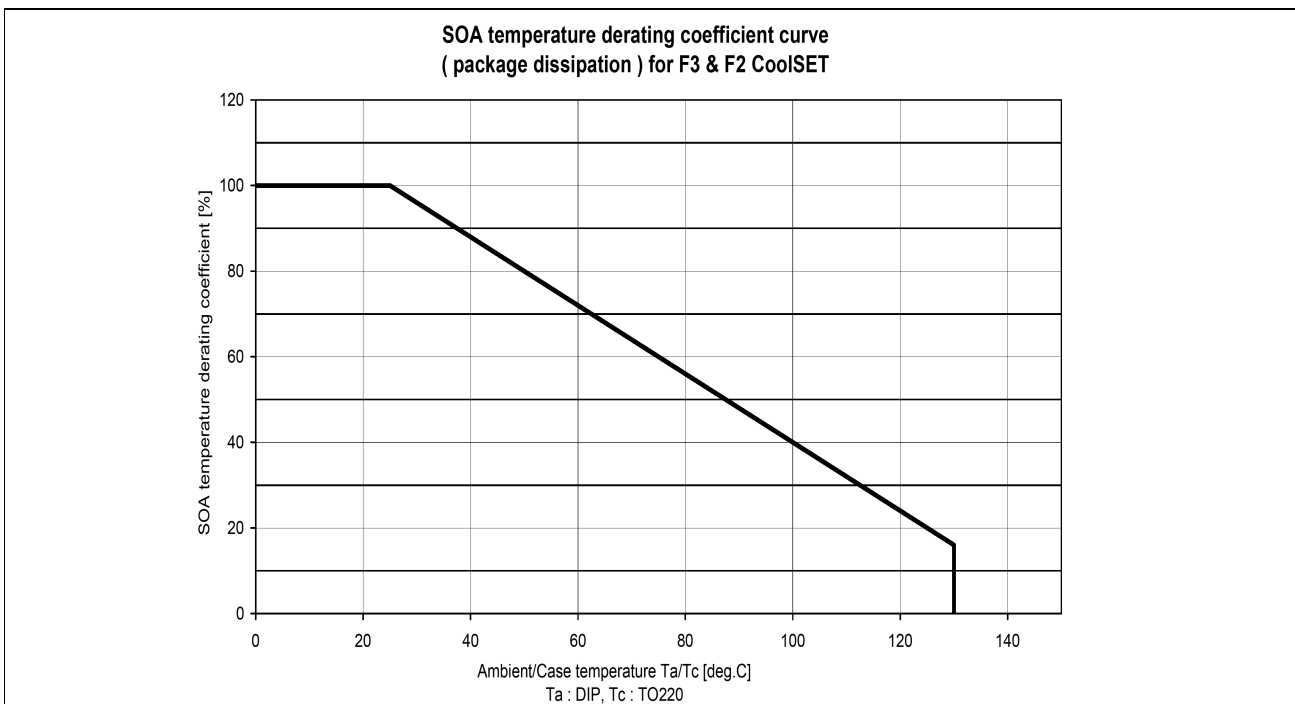


Figure 34 SOA temperature derating coefficient curve

CoolMOS® Performance Characteristic

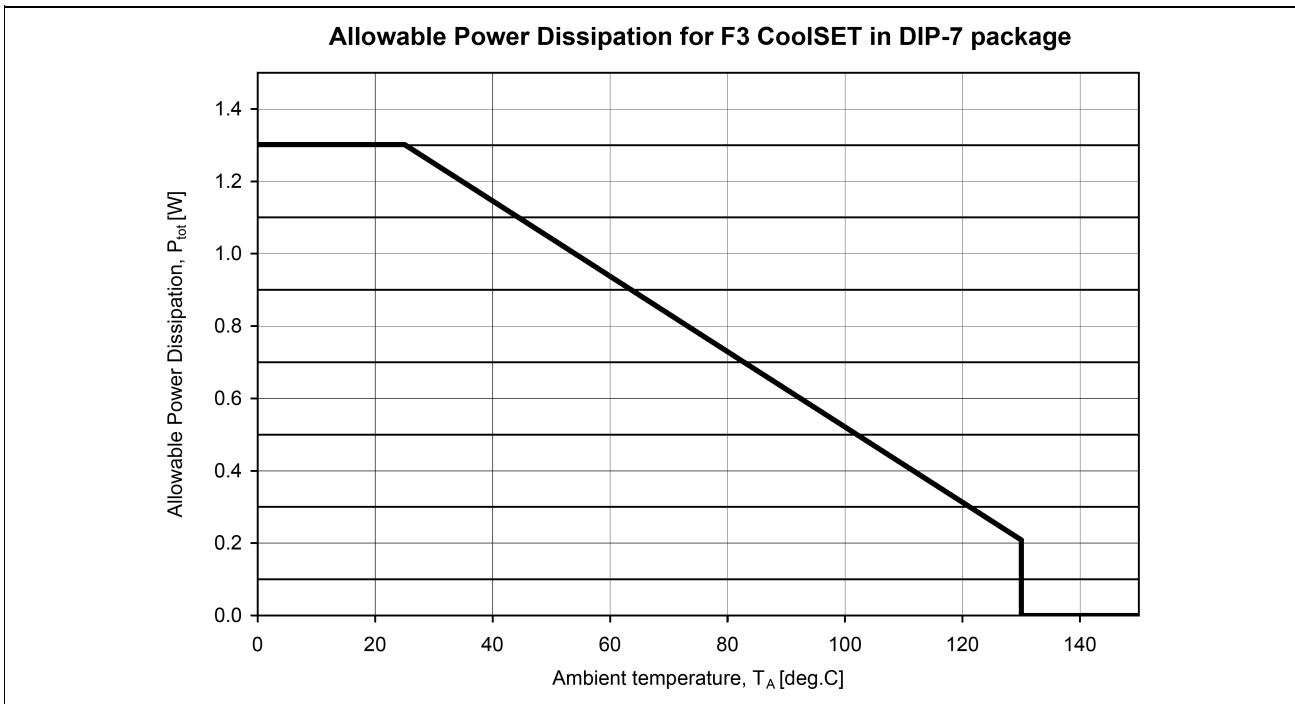


Figure 35 Power dissipation; $P_{tot}=f(T_a)$

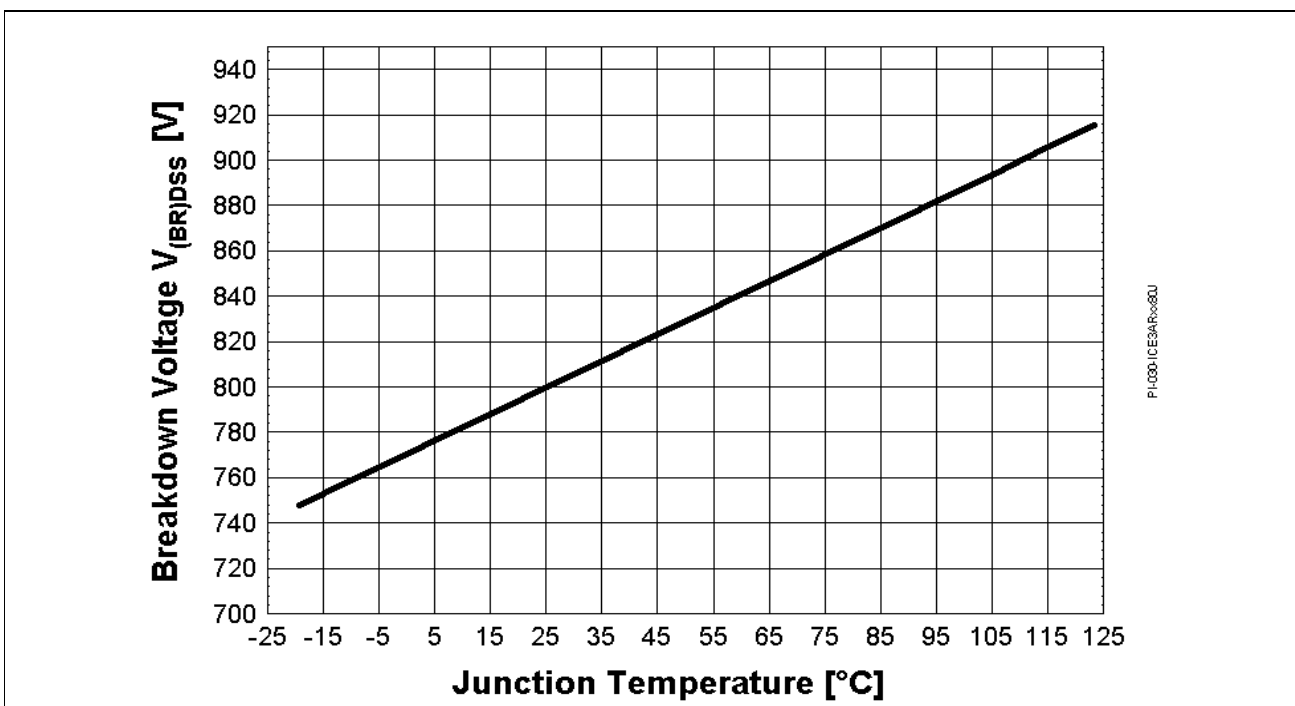


Figure 36 Drain-source breakdown voltage; $V_{BR(DSS)}=f(T_j)$, $I_D=0.25mA$

6 Input Power Curve

Two input power curves giving the typical input power versus ambient temperature are showed below; $V_{in}=85Vac\sim 265Vac$ (Figure 37) and $V_{in}=230Vac\pm 15\%$ (Figure 38). The curves are derived based on a typical discontinuous mode flyback model which considers either 60% maximum duty ratio or 150V maximum secondary to primary reflected voltage (higher priority). The calculation is based on no copper area as heatsink for the device. The input power already includes the power loss at input common mode choke, bridge rectifier and the CoolMOS. The device saturation current (I_{D_Puls} @ $T_j=125^\circ C$) is also considered.

To estimate the output power of the device, it is simply multiplying the input power at a particular operating ambient temperature with the estimated efficiency for the application. For example, a wide range input voltage (Figure 37), operating temperature is $50^\circ C$, estimated efficiency is 85%, then the estimated output power is 23W ($28W * 85\%$).

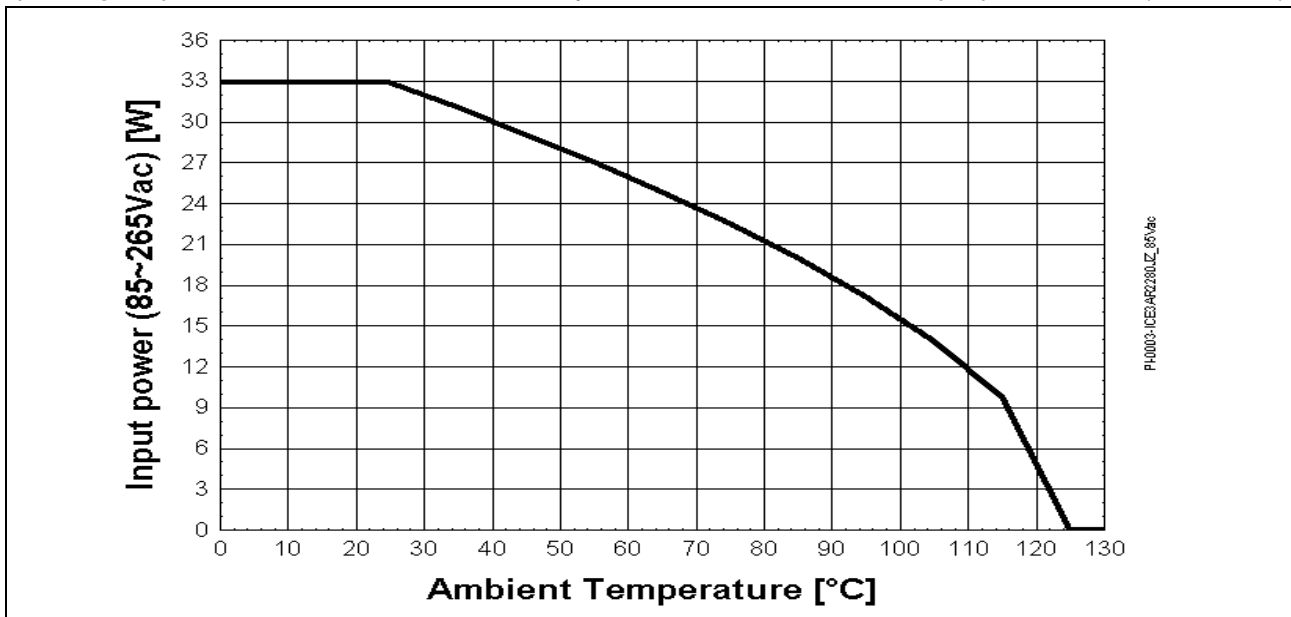


Figure 37 Input power curve $V_{in}=85\sim 265Vac$; $P_{in}=f(T_a)$

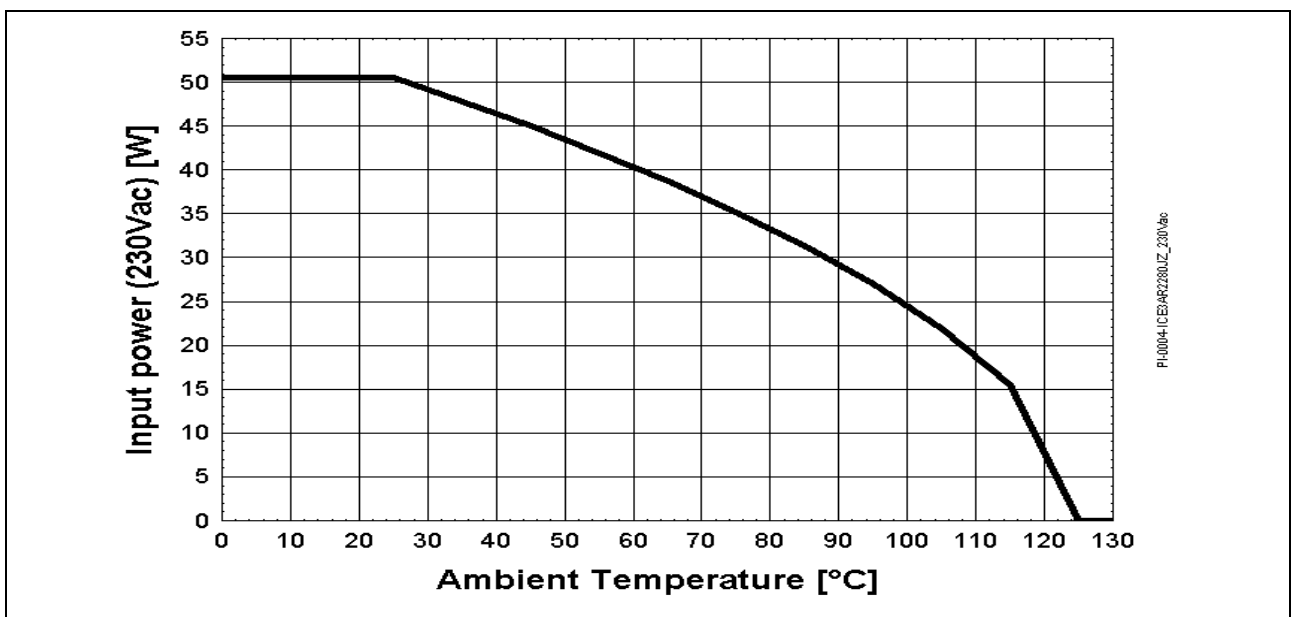
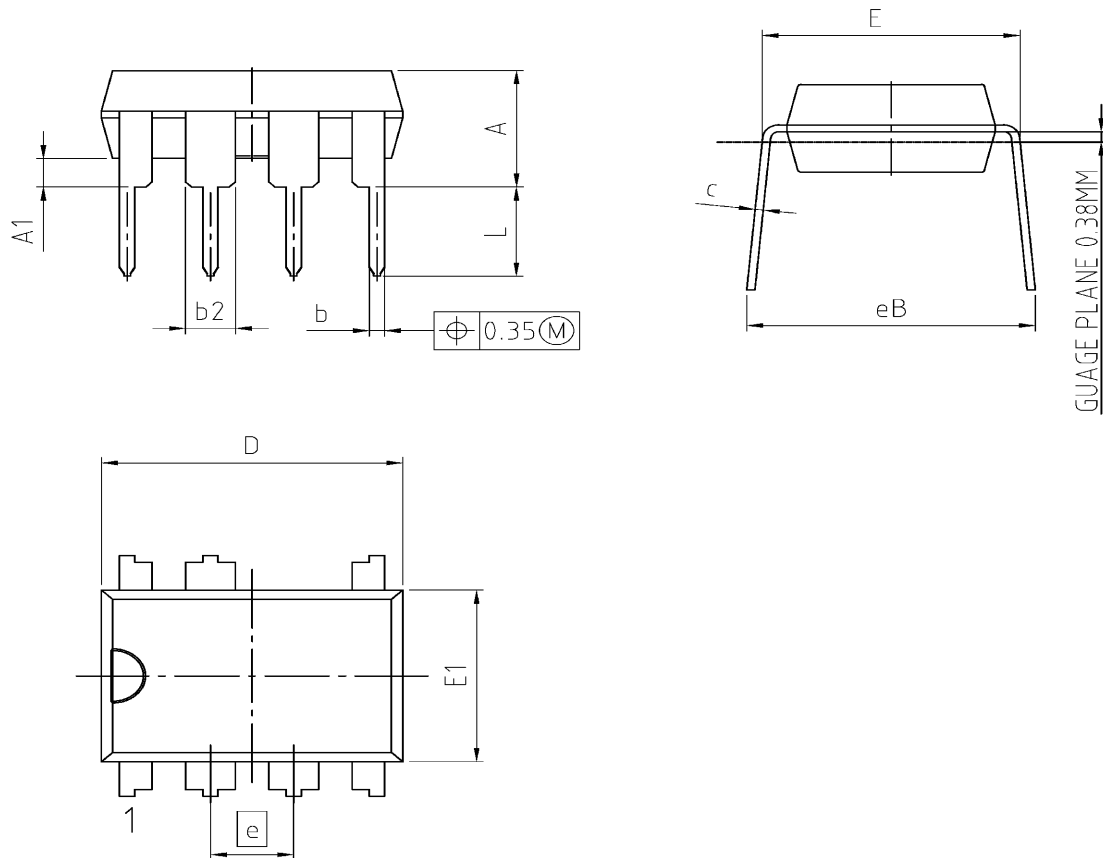


Figure 38 Input power curve $V_{in}=230Vac\pm 15\%$; $P_{in}=f(T_a)$

7 Outline Dimension

PG-DIP-7 (Plastic Dual In-Line Outline)



1) DOES NOT INCLUDE MOLD FLASH OR PROTRUSIONS.

DIM	MILLIMETERS		INCHES	
	MIN	MAX	MIN	MAX
A	-	4.57	-	0.180
A1	0.38	-	0.015	-
b	0.36	0.56	0.014	0.022
b2	-	1.70	-	0.067
c	0.20	0.36	0.008	0.014
D	9.10	9.77	0.358	0.385
E	7.49	8.26	0.295	0.325
E1	6.10	6.60	0.240	0.260
e	2.54 BSC		0.1 BSC	
N	7		7	
eB	7.90	10.90	0.311	0.429
L	2.92	-	0.115	-

DOCUMENT NO.
Z8B00155542

SCALE

EUROPEAN PROJECTION

ISSUE DATE
22.07.2011

REVISION
02

Figure 39 PG-DIP-7 (Pb-free lead plating Plastic Dual-in-Line Outline)

8 Marking

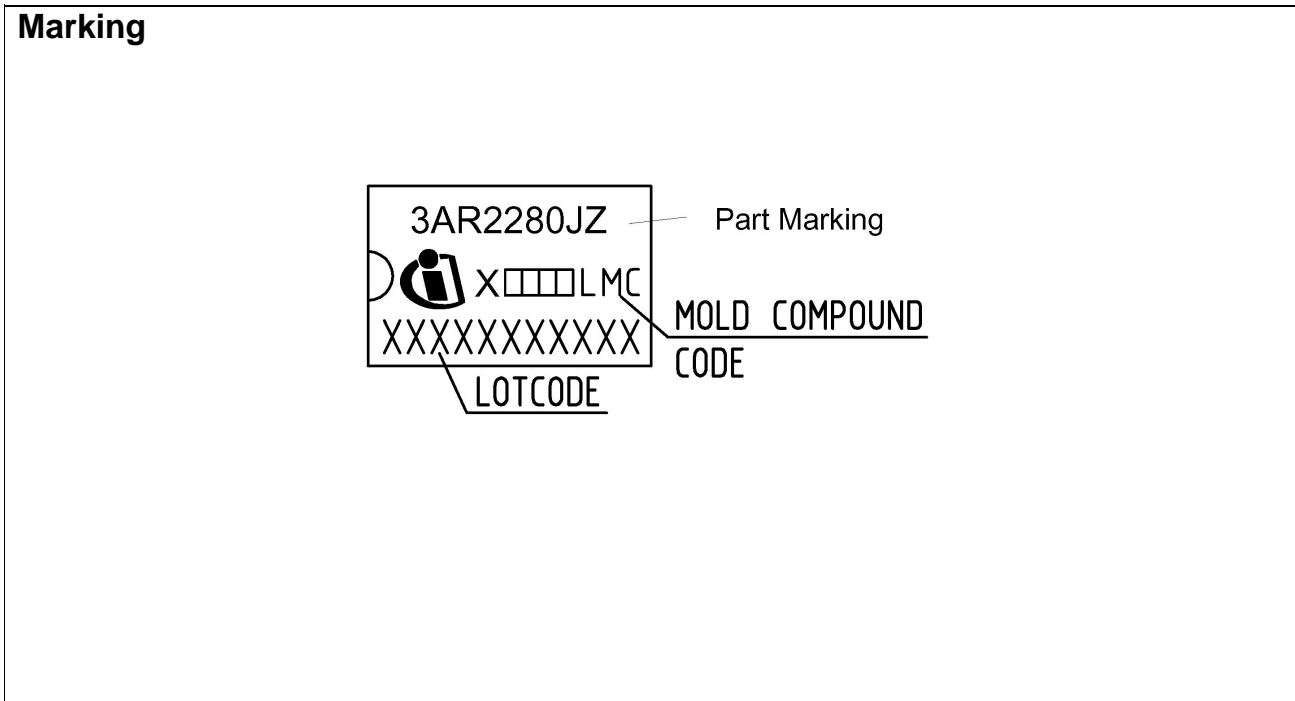


Figure 40 Marking for ICE3AR2280JZ

9 Schematic for recommended PCB layout

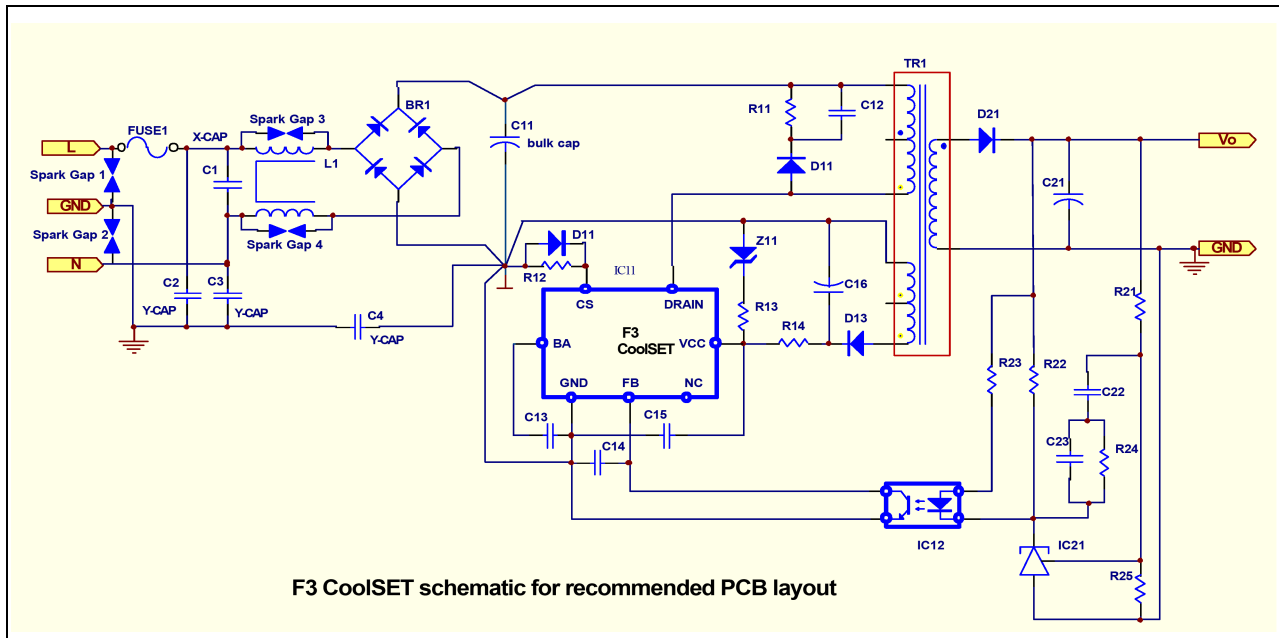


Figure 41 Schematic for recommended PCB layout

General guideline for PCB layout design using F3 CoolSET (refer to Figure 41):

1. "Star Ground" at bulk capacitor ground, C11:

"Star Ground" means all primary DC grounds should be connected to the ground of bulk capacitor C11 separately in one point. It can reduce the switching noise going into the sensitive pins of the CoolSET device effectively. The primary DC grounds include the followings.

 - a. DC ground of the primary auxiliary winding in power transformer, TR1, and ground of C16 and Z11.
 - b. DC ground of the current sense resistor, R12
 - c. DC ground of the CoolSET device, GND pin of IC11; the signal grounds from C13, C14, C15 and collector of IC12 should be connected to the GND pin of IC11 and then "star" connect to the bulk capacitor ground.
 - d. DC ground from bridge rectifier, BR1
 - e. DC ground from the bridging Y-capacitor, C4
2. High voltage traces clearance:

High voltage traces should keep enough spacing to the nearby traces. Otherwise, arcing would incur.

 - a. 400V traces (positive rail of bulk capacitor C11) to nearby trace: > 2.0mm
 - b. 600V traces (drain voltage of CoolSET IC11) to nearby trace: > 2.5mm
3. Filter capacitor close to the controller ground:

Filter capacitors, C13, C14 and C15 should be placed as close to the controller ground and the controller pin as possible so as to reduce the switching noise coupled into the controller.

Guideline for PCB layout design when >3KV lightning surge test applied (refer to Figure 41):

1. Add spark gap

Spark gap is a pair of saw-tooth like copper plate facing each other which can discharge the accumulated charge during surge test through the sharp point of the saw-tooth plate.

 - a. Spark Gap 3 and Spark Gap 4, input common mode choke, L1:

Gap separation is around 1.5mm (no safety concern)

Schematic for recommended PCB layout

b. Spark Gap 1 and Spark Gap 2, Live / Neutral to GROUND:

These 2 Spark Gaps can be used when the lightning surge requirement is >6KV.

230Vac input voltage application, the gap separation is around 5.5mm

115Vac input voltage application, the gap separation is around 3mm

2. Add Y-capacitor (C2 and C3) in the Live and Neutral to ground even though it is a 2-pin input

3. Add negative pulse clamping diode, D11 to the Current sense resistor, R12:

The negative pulse clamping diode can reduce the negative pulse going into the CS pin of the CoolSET and reduce the abnormal behavior of the CoolSET. The diode can be a fast speed diode such as IN4148.

The principle behind is to drain the high surge voltage from Live/Neutral to Ground without passing through the sensitive components such as the primary controller, IC11.

Total Quality Management

Qualität hat für uns eine umfassende Bedeutung. Wir wollen allen Ihren Ansprüchen in der bestmöglichen Weise gerecht werden. Es geht uns also nicht nur um die Produktqualität – unsere Anstrengungen gelten gleichermaßen der Lieferqualität und Logistik, dem Service und Support sowie allen sonstigen Beratungs- und Betreuungsleistungen.

Dazu gehört eine bestimmte Geisteshaltung unserer Mitarbeiter. Total Quality im Denken und Handeln gegenüber Kollegen, Lieferanten und Ihnen, unserem Kunden. Unsere Leitlinie ist jede Aufgabe mit „Null Fehlern“ zu lösen – in offener Sichtweise auch über den eigenen Arbeitsplatz hinaus – und uns ständig zu verbessern.

Unternehmensweit orientieren wir uns dabei auch an „top“ (Time Optimized Processes), um Ihnen durch größere Schnelligkeit den entscheidenden Wettbewerbsvorsprung zu verschaffen.

Geben Sie uns die Chance, hohe Leistung durch umfassende Qualität zu beweisen.

Wir werden Sie überzeugen.

Quality takes on an all-encompassing significance at Semiconductor Group. For us it means living up to each and every one of your demands in the best possible way. So we are not only concerned with product quality. We direct our efforts equally at quality of supply and logistics, service and support, as well as all the other ways in which we advise and attend to you.

Part of this is the very special attitude of our staff. Total Quality in thought and deed, towards co-workers, suppliers and you, our customer. Our guideline is “do everything with zero defects”, in an open manner that is demonstrated beyond your immediate workplace, and to constantly improve.

Throughout the corporation we also think in terms of Time Optimized Processes (top), greater speed on our part to give you that decisive competitive edge.

Give us the chance to prove the best of performance through the best of quality – you will be convinced.

<http://www.infineon.com>

X-ON Electronics

Largest Supplier of Electrical and Electronic Components

Click to view similar products for [AC/DC Converters](#) category:

Click to view products by [Infineon](#) manufacturer:

Other Similar products are found below :

[FSFR2100US](#) [BP5722A12](#) [ICE3AR0680VJZ](#) [ICE3AR2280CJZ](#) [ICE3BR0680JZ](#) [ICE3BR2280JZ](#) [SEA01](#) [FAN7621SSJX](#) [BP5055-12](#)
[BP5718A12](#) [ICE2QR4780Z](#) [NCP1124BP100G](#) [AP3983EP7-G1](#) [ICE3AR10080CJZ](#) [SC1076P065G](#) [47132](#) [47220](#) [47225](#) [APR3415BMTR-](#)
[G1](#) [NCP1126BP100G](#) [HF500GP-40](#) [TNY179PN](#) [ICE3AR10080JZXKLA1](#) [BM2P0361-Z](#) [BM2P249Q-Z](#) [BM521Q25F-GE2](#) [INN3164C-](#)
[H107-TL](#) [HR1001CGS-P](#) [HR1001LGS-P](#) [BM2P131X-Z](#) [BM2P161X-Z](#) [BM2P181X-Z](#) [BM2P201X-Z](#) [BM2P241X-Z](#) [LNK576DG-TL](#)
[INN3278C-H215-TL](#) [INN3278C-H217-TL](#) [INN3678C-H605-TL](#) [TNY263PN](#) [TNY286PG](#) [TNY287PG](#) [TNY288DG-TL](#) [TNY288PG](#)
[BP5034D24](#) [ICE2QR2280Z1XKLA1](#) [ICE2QS02GXUMA1](#) [ICE3A1065ELJFKLA1](#) [ICE3AR2280JZXKLA1](#) [ICE3B1565JFKLA1](#) [INN2003K](#)