

IPD Protect

IGBT 20A/1350V RC-H5 technology with driver IC

Features

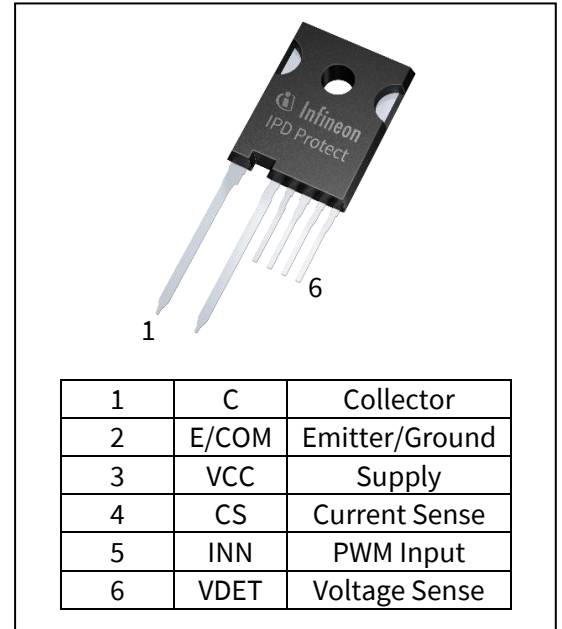
- Reverse conducting IGBT with monolithic body diode designed for soft commutation
- Integrated Driver with
 - Over-voltage and over-current protection
 - Active clamp control circuit
 - Programmable over-voltage threshold
 - Programmable cycle-by-cycle over-current threshold
 - Integrated gate drive with 2 level turn-on current
 - Temperature warning
 - Over-temperature protection
 - VCC UVLO
 - Integrated ESD protection and latch immunity on all pins
- Qualified for industrial applications according to the relevant tests of JEDEC47/20/22
- PG-TO247-6 package
- <http://www.infineon.com/IPD-Protect>

Applications

- Induction cooking

Description

The IPD (Integrated Power Device) Protect includes an IGBT with Gate Driver IC in a TO247 6-pin package for induction cooking applications. Its innovative concepts provide protection against over-voltage, over-current, and over-temperature. Additional features include a unique active clamp control, fault condition notification, and a special two levels turn-on Gate driving that reduces significantly the typical high startup peak current. These integrated protection functions provide a simple and robust solution with increased overall system reliability.



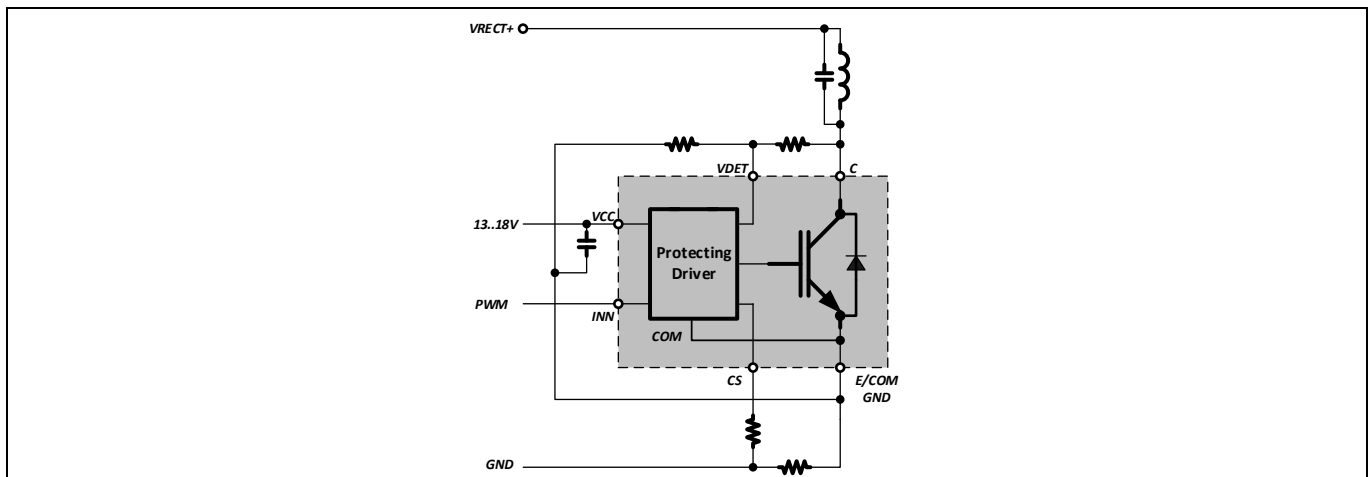


Figure 1 Typical Application

Table of Contents

Features 1

Applications..... 1

Description1

Table of Contents 2

1 Block Diagram 3

2 State Diagram 4

3 Electrical Parameters Driver 5

3.1 Absolute Maximum Ratings5

3.2 Recommended Operating Conditions.....5

For proper operation the device should be used within the recommended conditions. (T_A=25°C)..... 5

3.3 Electrical Characteristics6

4 Electrical Parameters IGBT 8

4.1 Absolute Maximum Ratings8

4.2 Electrical Characteristics9

5 Pin Configuration, Description and Functionality11

5.1 Pin Configuration and Description 11

5.2 IGBT connect pins (C, E/COM) 11

5.3 VCC and COM 11

5.4 Current limitation input (CS) 12

5.5 PWM input / Diagnostic output (INN) 12

5.6 Over-voltage detection input (VDET) 13

6 Timing Diagrams.....16

7 Electrical Characteristics Diagrams.....17

8 Test Conditions24

9 Package Drawing25

9.1 Package Dimensions 26

Revision History27

1 Block Diagram

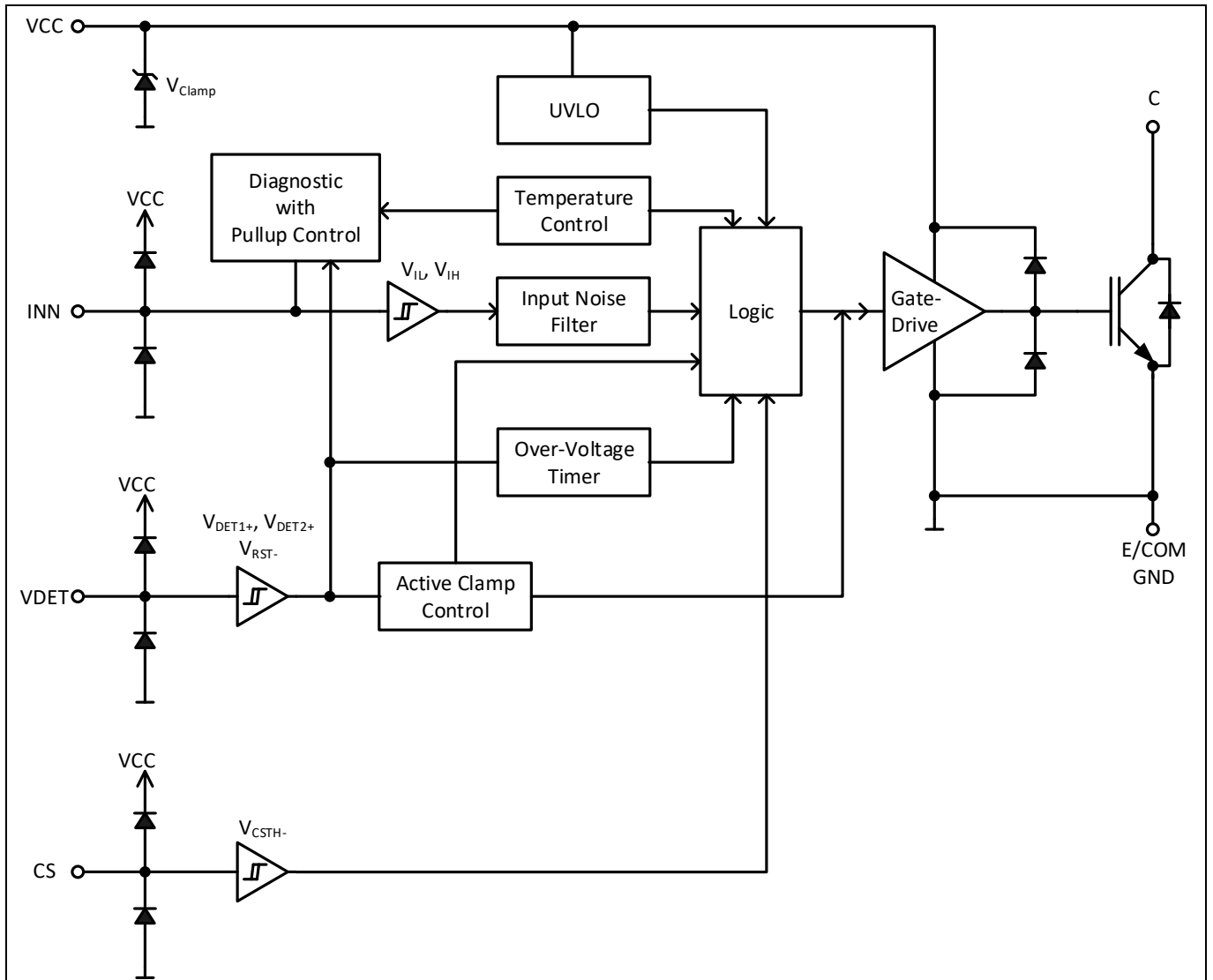


Figure 2 Block Diagram of IEWS20R5135IPB

State Diagram

2 State Diagram

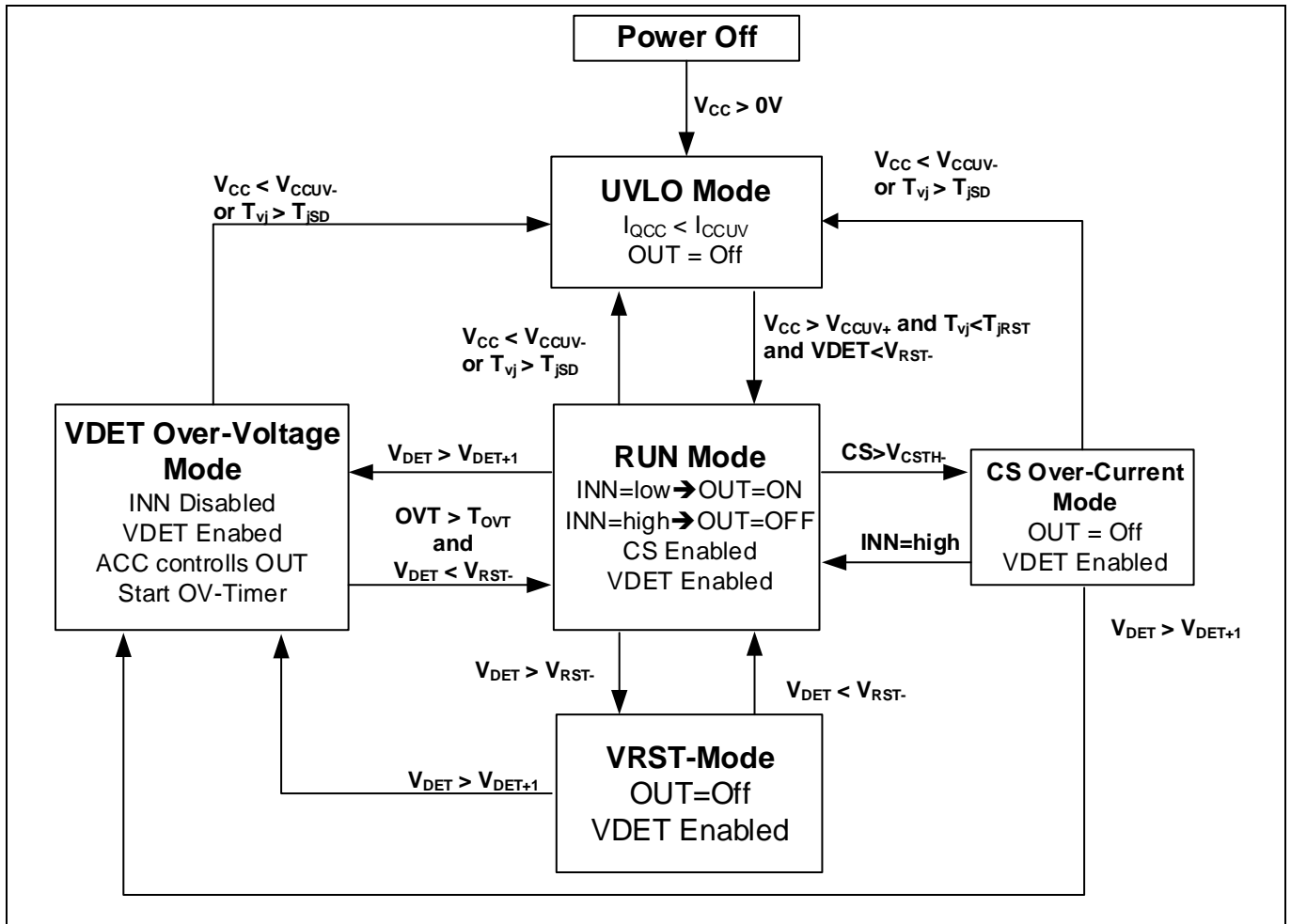


Figure 3 State diagram of IEWS20R5135IPB

3 Electrical Parameters Driver

3.1 Absolute Maximum Ratings

Absolute maximum ratings indicate sustained limits beyond which damage to the device may occur. All voltage parameters are absolute voltages referenced to COM, all currents are defined positive into any pin.

Table 1 Absolute Maximum Ratings

Parameter	Symbol	Min.	Max.	Unit	Test Conditions
VDET pin voltage	V_{DET}	-0.3	V_{CLAMP}^1	V	
VCC pin voltage	V_{CC}				
CS pin voltage	C_S				
INN pin voltage	I_{NN}	-0.3	5	V	
Junction temperature	T_{vj}	-40	150	°C	
Storage temperature	T_S				
ESD capability	V_{ESD}		750	V	Charged Devices Model (CDM) ²
ESD capability	V_{ESD}		2.0	KV	Human Body Model (HBM) ³

3.2 Recommended Operating Conditions

For proper operation the device should be used within the recommended conditions. ($T_A=25^\circ\text{C}$)

Table 2 Recommended Operating Conditions

Parameter	Symbol	Min.	Max.	Unit
VDET pin voltage	V_{DET}	-0.3	20	V
VCC pin voltage	V_{CC}			
CS pin voltage	C_S			
INN pin voltage	I_{NN}	-0.3	5	V
Junction temperature	T_{vj}	-40	125	°C

¹This IC contains a 25V voltage clamp structure between the VCC and COM pins. Please note that this pin should not be driven by a DC, low impedance power source greater than the V_{CLAMP} specified in the Electrical Characteristics section.

²According to the JESD22-C101 CDM standard

³According to the JESD22-A114 Rev. F standard

3.3 Electrical Characteristics

$V_{CC}=15.0V$, $T_A = 25\text{ }^\circ\text{C}$ unless otherwise specified. All parameters are referenced to COM.

Table 3 VCC Characteristics

Parameter	Symbol	Min.	Typ.	Max.	Unit	Test Conditions
V_{CC} rising UVLO threshold	V_{CCUV+}	13.0	13.5	14.0	V	
V_{CC} falling UVLO threshold	V_{CCUV-}	12.0	12.5	13.0		
V_{CC} supply current during UVLO	I_{CCUV}	---	200	---	μA	$V_{CC}=V_{CCUV-}-0.5V$
V_{CC} quiescent supply current	I_{QCC}	---	3000	---		
V_{CC} internal Zener clamp voltage	V_{CLAMP}	---	25	---	V	$I_{CC}=5\text{mA}$

Table 4 CS Characteristics

Parameter	Symbol	Min.	Typ.	Max.	Unit	Test Conditions
Over-current threshold voltage	V_{CSTH-}	-5%	-0.2	+5%	V	
Over-current detection internal blank time	t_{CSBLK}	3.5	---	4.5	μs	
Over-current detection propagation delay	t_{CS}	---	50	---	ns	

Table 5 VDET Characteristics

Parameter	Symbol	Min.	Typ.	Max.	Unit	Test Conditions
Over-voltage rising threshold voltage 1	V_{DET+1}	-3%	3.91	+3%	V	Figure 8 + Figure 9
Over-voltage rising threshold voltage 2	V_{DET+2}	-3%	4.36	+3%		
Restart falling threshold voltage	V_{RST-}	-3%	1.37	+3%		
Over-voltage clamping time 1	t_{clamp1}	4.25	5.0	5.75	μs	
Over-voltage blank timer	t_{OVT}	3	---	---	ms	
Over-voltage blanking time @ turn-off IGBT	$t_{VDETBLK}$	---	1200	---	ns	

Table 6 Temperature Warning / Shutdown

Parameter	Symbol	Min.	Typ.	Max.	Unit	Test Conditions
Junction temperature warning	T_{vjTW}	---	75	---	$^\circ\text{C}$	
Junction temperature thermal shutdown	T_{vjSD}	---	150	---		
Junction temperature thermal reset	T_{vjRST}	---	75	---		

Electrical Parameters Driver

Table 7 INN / OUT Characteristics

Parameter	Symbol	Min.	Typ	Max.	Unit	Test Conditions
Logic "0" input voltage (OUT = HI)	V_{IL}	---	---	0.8	V	Figure C
Logic "1" input voltage (OUT = LO)	V_{IH}	2.0	---	---		
INN pullup-voltage → no fault	V_{IPUnf}	2.10	2.50	2.90		
INN pullup-voltage → temp warning	V_{IPUtw}	4.00	4.50	5.00		
INN voltage → over-voltage detection or over-temp shut-down	V_{IPUov}	---	---	0.5		
Turn-on filter time	$t_{ONfilter}$	340	400	460	ns	
Turn-off filter time	$t_{OFFfilter}$	1275	1700	2200		
Logic "0" input bias current	I_{IN-}	---	-500	---	μA	$V_{NN}=0V$

4 Electrical Parameters IGBT

4.1 Absolute Maximum Ratings

For optimum lifetime and reliability, Infineon recommends operating conditions that do not exceed 80% of the maximum ratings stated in the datasheet.

Table 8 Absolute Maximum Ratings

Parameter	Symbol	Value	Unit
Collector-emitter voltage, $T_{vj} \geq 25^{\circ}\text{C}$	V_{CE}	1350	V
DC collector current, limited by T_{vjmax} $T_C = 25^{\circ}\text{C}$ $T_C = 100^{\circ}\text{C}$	I_C	40.0 20.0	A
Pulsed collector current, t_p limited by T_{vjmax}	I_{Cpuls}	60	A
Turn off safe operating area ($V_{CE} \leq 1350\text{V}$, $T_{vj} \leq 175^{\circ}\text{C}$, $t_p = 1\mu\text{s}$)	-	60	A
Diode forward current, limited by T_{vjmax} $T_C = 25^{\circ}\text{C}$ $T_C = 100^{\circ}\text{C}$	I_F	40.0 20.0	A
Diode pulsed current, t_p limited by T_{vjmax}	I_{Fpuls}	60.0	A
Gate-emitter voltage Transient Gate-emitter voltage ($t_p \leq 10\mu\text{s}$, $D < 0.010$)	V_{GE}	± 20 ± 25	V
Power dissipation $T_C = 25^{\circ}\text{C}$ Power dissipation $T_C = 100^{\circ}\text{C}$	P_{tot}	288.0 144.0	W
Virtual junction temperature	T_{vj}	-40...+175	$^{\circ}\text{C}$
Operating junction temperature ¹	$T_{vj,op}$	-40...+150	$^{\circ}\text{C}$
Storage temperature	T_{stg}	-40...+150	$^{\circ}\text{C}$
Soldering temperature, 1.6mm (0.063 in.) from case for 10s	-	260	$^{\circ}\text{C}$
Mounting torque, M3 screw Maximum of mounting processes: 3	M	0.6	Nm
ESD capability Charged Devices Model (CDM) ²	V_{ESD}	750	V
ESD capability Human Body Model (HBM) ³	V_{ESD}	2.0	KV

Table 9 Thermal Resistance

Parameter	Symbol	Value	Unit
IGBT thermal resistance, junction – case	$R_{th(j-c)}$	0.52	K/W
Diode thermal resistance, junction – case	$R_{th(j-c)}$	0.52	K/W
Thermal resistance, junction – ambient	$R_{th(j-a)}$	40	K/W

¹Limited by $T_{vj,max}$ of the driver I_C .

²According to the JESD22-C101 CDM standard

³According to the JESD22-A114 Rev. F standard

4.2 Electrical Characteristics

At $T_{vj}=25^{\circ}\text{C}$ and $V_{cc}=15\text{V}$, unless otherwise specified

Table 10 Static Characteristic

Parameter	Symbol	Conditions	Min.	Typ.	Max.	Unit
Collector-emitter breakdown voltage	$V_{(BR)CES}$	$I_{NN}=\text{open}$, $I_C=0.5\text{mA}$	1350	-	-	V
Collector-emitter saturation voltage	$V_{CE(sat)}$	$V_{IN}=0\text{V}$, $I_C=20\text{A}$ $T_{vj}=25^{\circ}\text{C}$ $T_{vj}=125^{\circ}\text{C}$ $T_{vj}=150^{\circ}\text{C}$	-	1.65 1.85 1.90	1.85 - -	
Diode forward voltage	V_F	$I_{NN}=\text{open}$ $I_F=20\text{A}$ $T_{vj}=25^{\circ}\text{C}$ $T_{vj}=125^{\circ}\text{C}$ $T_{vj}=150^{\circ}\text{C}$	-	1.71 1.85 1.97	1.90 - -	
Transconductance	g_{fs}	$V_{CE}=20\text{V}$, $I_C=20\text{A}$	-	15.8	-	

Table 11 Switching Characteristics, Inductive Load at $T_{vj}=25^{\circ}\text{C}$

Parameter	Symbol	Conditions	Min.	Typ.	Max.	Unit
Turn-on propagation time	$t_{PD,on}$	$V_{DC}=600\text{V}$, $I_C=20.0\text{A}$	-	668	-	ns
Turn-off propagation time	$t_{PD,off}$	$I_{NN}=\text{open}/0\text{V}$	-	2034	-	ns
Fall time	t_f	$L_{\sigma}=175\text{nH}$, $C_{\sigma}=40\text{pF}$	-	83	-	ns
Turn-off energy	E_{off}	L_{σ} , C_{σ} from Fig. F Energy losses include "tail".	-	1.2	-	mJ
Turn-off energy, soft switching	$E_{off,soft}$	$dV_{CE}/dt = 67\text{V}/\mu\text{s}$ From Fig. F Energy losses include "tail".	-	0.26	-	mJ

Table 12 Switching Characteristics, Inductive Load at $T_{vj}=150^{\circ}\text{C}$

Parameter	Symbol	Conditions	Min.	Typ.	Max.	Unit
Turn-on propagation time	$t_{PD,on}$	$V_{DC}=600\text{V}$, $I_C=20.0\text{A}$	-	705	-	ns
Turn-off propagation time	$t_{PD,off}$	$I_{NN}=\text{open}/0\text{V}$	-	2257	-	ns
Fall time	t_f	$L_{\sigma}=175\text{nH}$, $C_{\sigma}=40\text{pF}$	-	231	-	ns
Turn-off energy	E_{off}	L_{σ} , C_{σ} from Fig. F Energy losses include "tail".	-	2.2	-	mJ
Turn-off energy, soft switching	$E_{off,soft}$	$dV_{CE}/dt = 67\text{V}/\mu\text{s}$ From Fig. F Energy losses include "tail".	-	0.40	-	mJ

5 Pin Configuration, Description and Functionality

5.1 Pin Configuration and Description

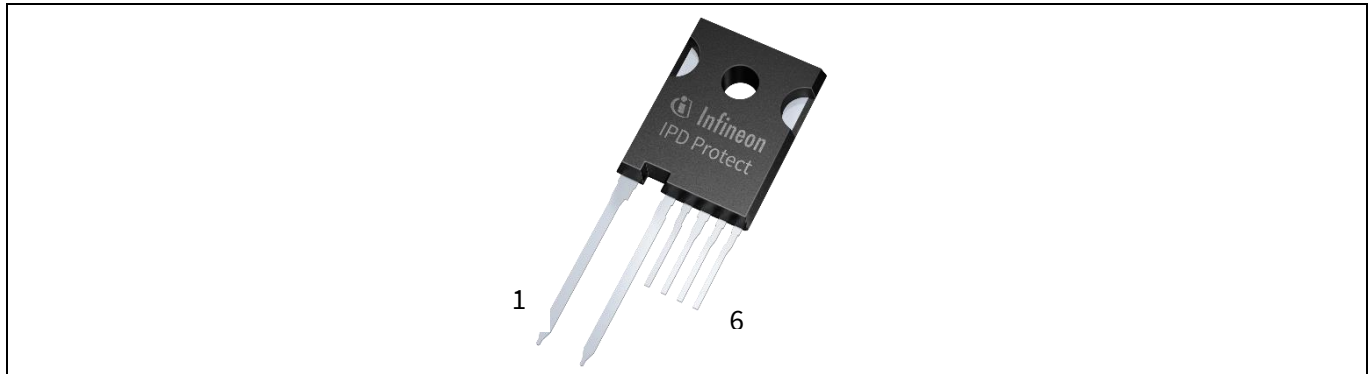


Figure 4 Pin Configuration

Table 13 Pin Description

Pin	Symbol	Description
1	C	Collector of IGBT
2	E/COM	Emitter of IGBT, ground connection for the driver
3	VCC	Supply-voltage of the driver
4	CS	Current-limitation input
5	INN	PWM input (low active) / Diagnostic output
6	VDET	Over-voltage detection input

5.2 IGBT connect pins (C, E/COM)

A RC-H5 IGBT is integrated into the TO247-6pin package. The chip includes a powerful monolithic body diode for soft commutation. The TRENCHSTOP™ technology offers

- Very tight parameter distribution
- High ruggedness and temperature stable behavior
- LOW V_{CEsat}
- Low EMI

5.3 VCC and COM

VCC is the voltage supply for the logic and the driver output stage. All inputs and outputs are referenced to COM. The undervoltage lockout circuit enables the device to operate at power on when a typical supply voltage higher than V_{CCUV+} is present. Please see section 3.3 “VCC Characteristics” for further information.

5.4 Current limitation input (CS)

The integrated cycle by cycle current limitation, given in the next figure, offers independent of the external control and input-voltage level, a voltage limitation across the IGBT. The negative current sense threshold (V_{CSTH}) has the big advantage that the current sense resistor is not in the gate-drive loop. When the INN-input is switched to COM, the IGBT is turned on from the driver and the current-sense input gets enabled after a delay of t_{CSBLK} , to avoid mis-triggering during NZVS (Non Zero Voltage Switching) conditions. Once enabled, the voltage at the CS-pin gets monitored and when the current sense threshold is reached the IGBT turns off immediately, independent from the signal at the INN-input. A resistor of 1kOhm should be placed in series to the CS input to limit currents through the internal ESD-diodes due to transients.

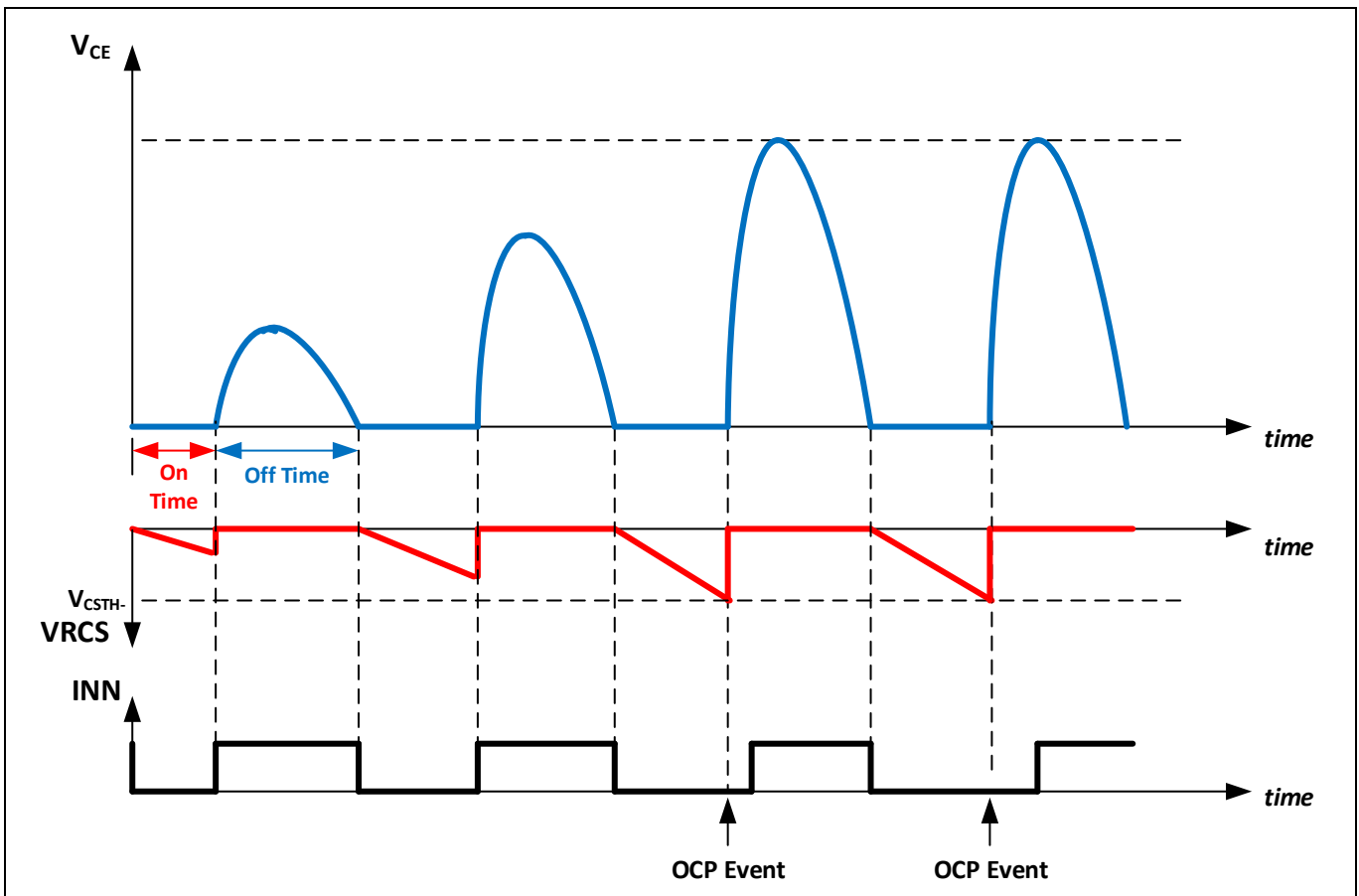


Figure 5 Cycle by cycle current limitation

5.5 PWM input / Diagnostic output (INN)

The INN pin is a multifunctional pin. It acts as an input to control the ON-time of the IGBT and during the OFF-time, the diagnostic block controls the pull-up voltage level according to the status (see Table 14 & Figure 8). To control the turn-on of the IGBT an open drain output should be connected to the INN pin. The Schmitt trigger input is such to guarantee compatibility down to 3.3V controller. The input Schmitt trigger and noise filter provide beneficial noise rejection to short input pulses according to Figure 6 and Figure 10.

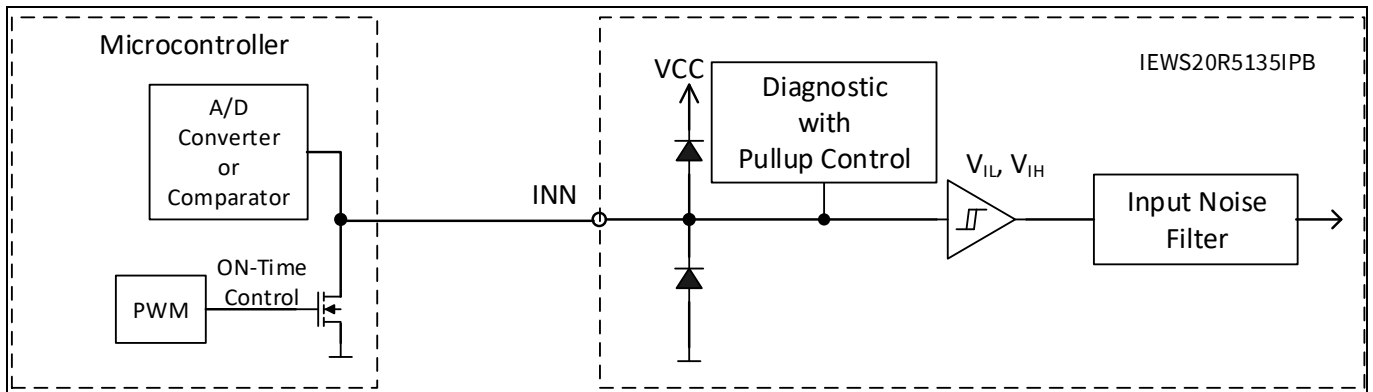


Figure 6 INN internal structure

Table 14 INN Diagnostic Pullup-Levels

Status	Pull-up Level (INN)
UVLO	<0,5V
No Fault	2,10V – 2,90V
OT-Warning	4V – 5V
OV-Detection	<0,5V
OT-Warning + OV-Detection	<0,5V (OV dominates)
OT-Shut-Down	<0,5V

5.6 Over-voltage detection input (VDET)

The integrated active clamp control level can be programmed on the VDET input with the resistor divider R1, R2 (Figure 7). After fixing R1, R2 can be calculated with the following equation:

$$R_2 = \frac{R_1}{\frac{V_{clamp1}}{V_{DET+1}} - 1}$$

V_{clamp} = programmed clamping level

V_{DET+1} = internal V_{DET+1} threshold

When the voltage at VDET goes above the internal threshold of V_{DET+1} , the Active Clamp Control (ACC) takes over and turns on the IGBT in order to regulate the voltage at VDET to V_{DET+1} and therefore the collector voltage to the programmed level V_{clamp1} . After the time T_{clamp1} the internal clamping level is increased by 11%. The ACC stay's active until the voltage at VDET drops below V_{DET+1} within T_{clamp1} or below V_{DET2+} after T_{clamp1} . A third internal threshold at V_{DET} (V_{RST-}) takes care, that the IGBT is not turned on at a too high voltage level. Therefore the driver stay's disabled until the VDET voltage drops below V_{RST-} . The restart level (V_{RST-}) can be calculated with following equation:

$$V_{RST} = V_{clamp1} * \frac{V_{RST-}}{V_{DET+1}}$$

In normal operation the V_{RST-} threshold is also active and blocks the turn-on of the IGBT until the VDET voltage falls below V_{RST-} , but the INN is not switched to GND compared to the OV-detection mode (Table 15). If the INN is switched to GND from the control system when the $V_{CE} > V_{RST-}$ the complete cycle is skipped (see Figure 9).

IPD Protect

IGBT 20A/1350V RC-H5 technology with driver IC

Pin Configuration, Description and Functionality

For short clamp situations, which can occur for example when the vessel is removed from the cooking surface, an over-voltage timer (OVT) is triggered in parallel. The OVT disables the driver for the over-voltage blank time so that the connected microcontroller has time to recognize and to react on the situation.

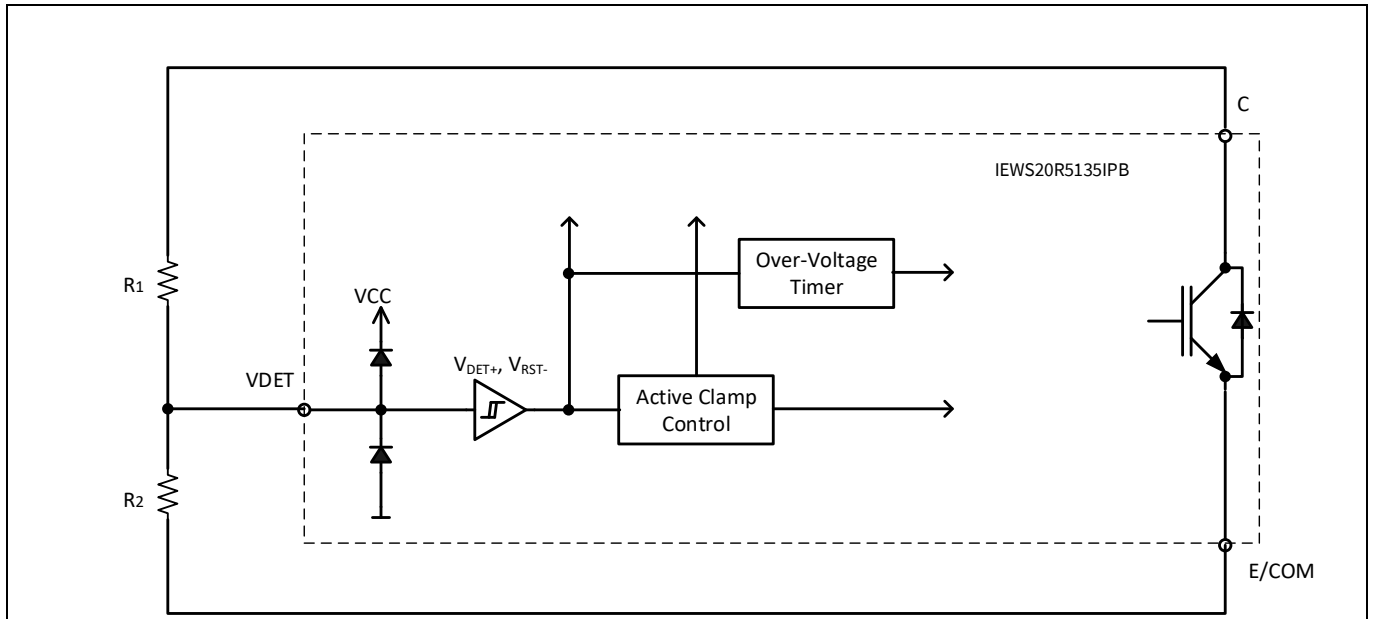


Figure 7 Active Clamp Control setting

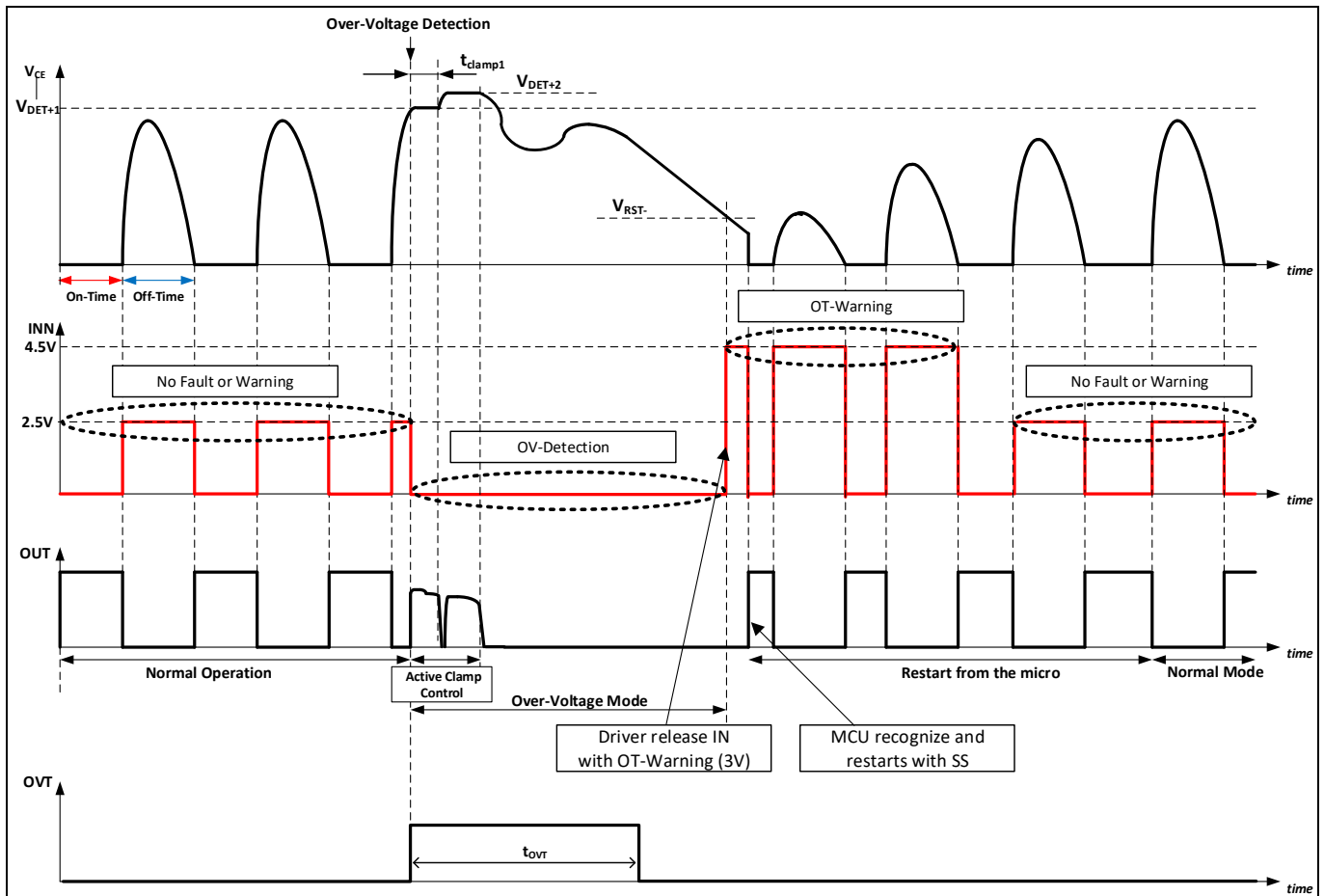


Figure 8 Active Clamp Control timing & Diagnostic

IPD Protect

IGBT 20A/1350V RC-H5 technology with driver IC

Pin Configuration, Description and Functionality

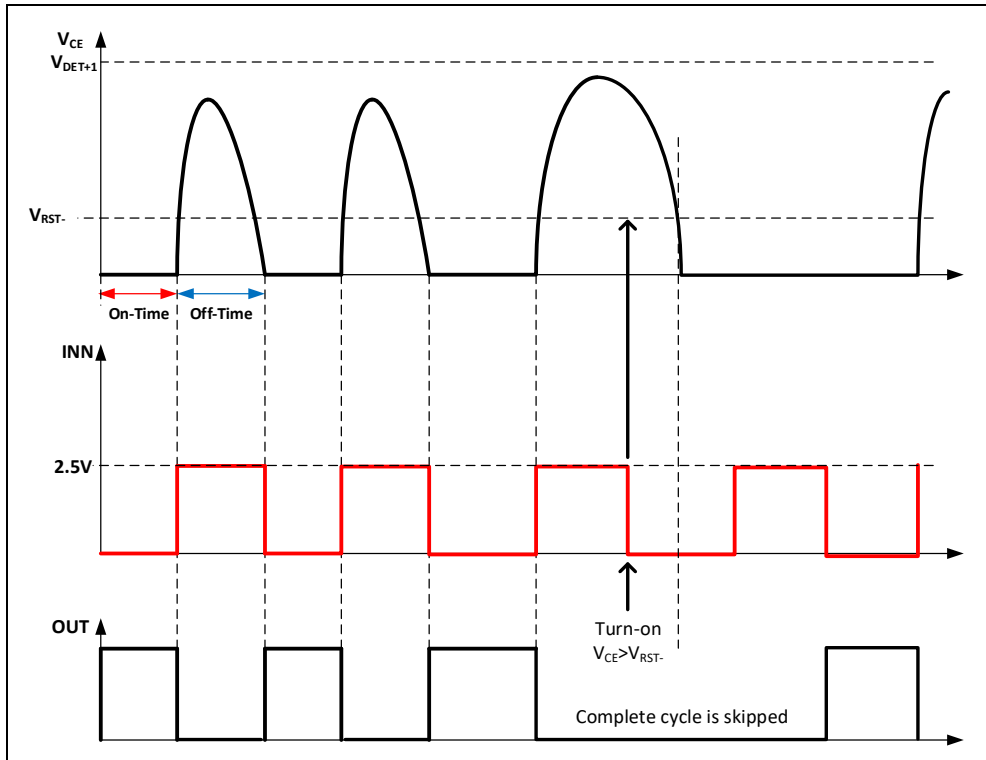


Figure 9 Function turn-on, if $V_{CE} > V_{RST}$.

6 Timing Diagrams

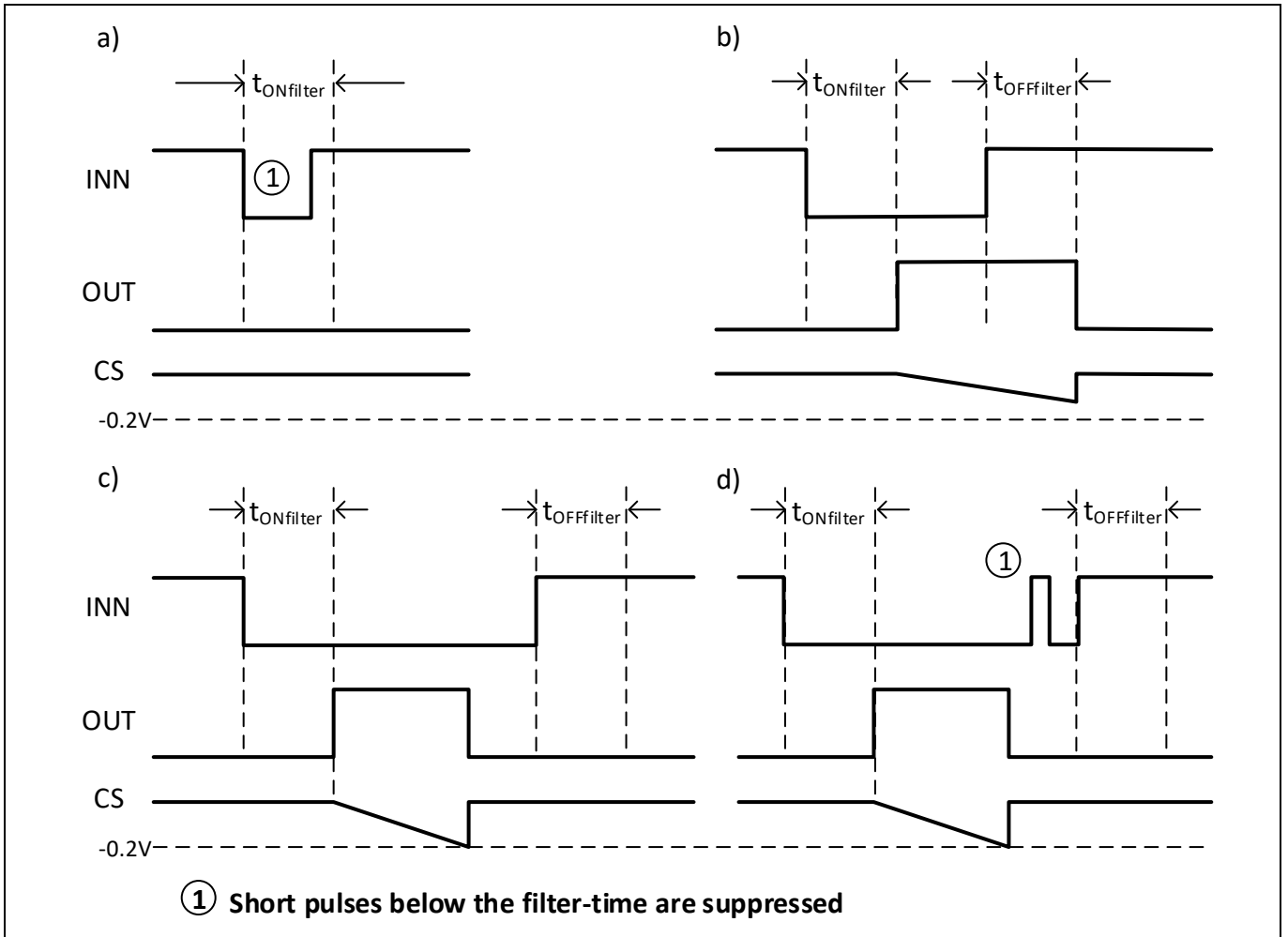


Figure 10 Input Noise Filter

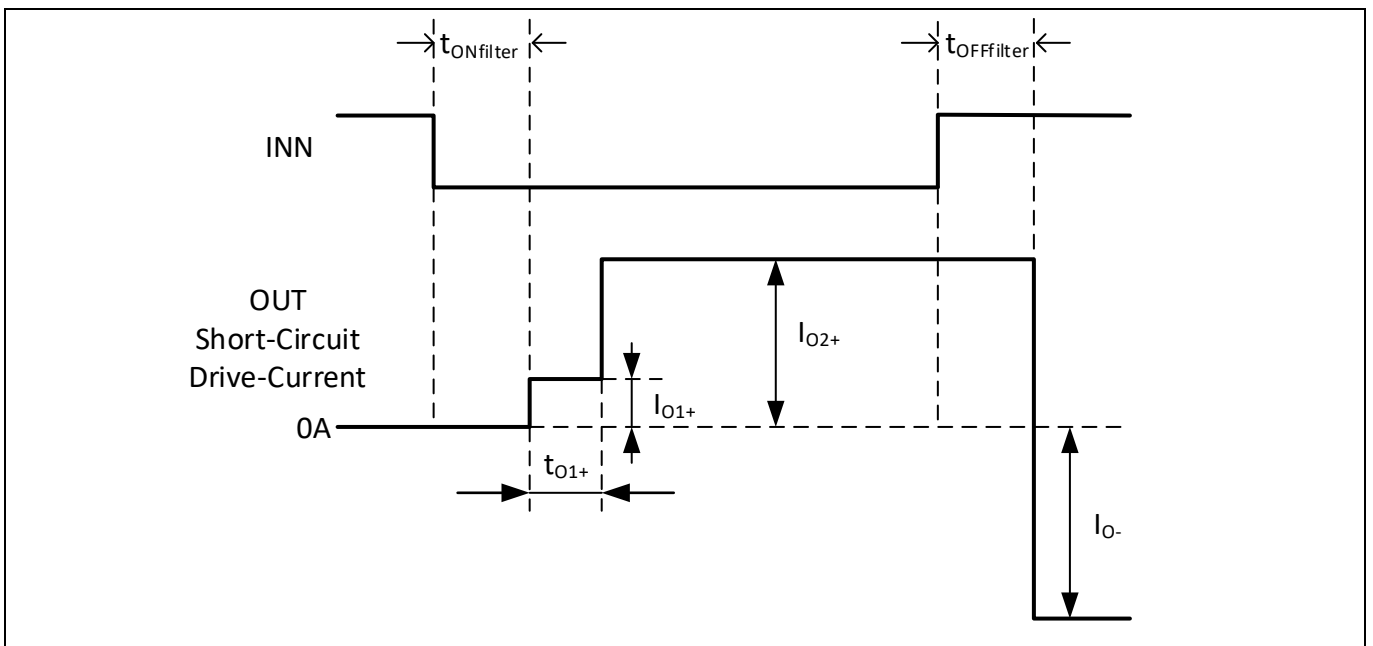


Figure 11 OUT Short-Circuit Drive-Current

7 Electrical Characteristics Diagrams

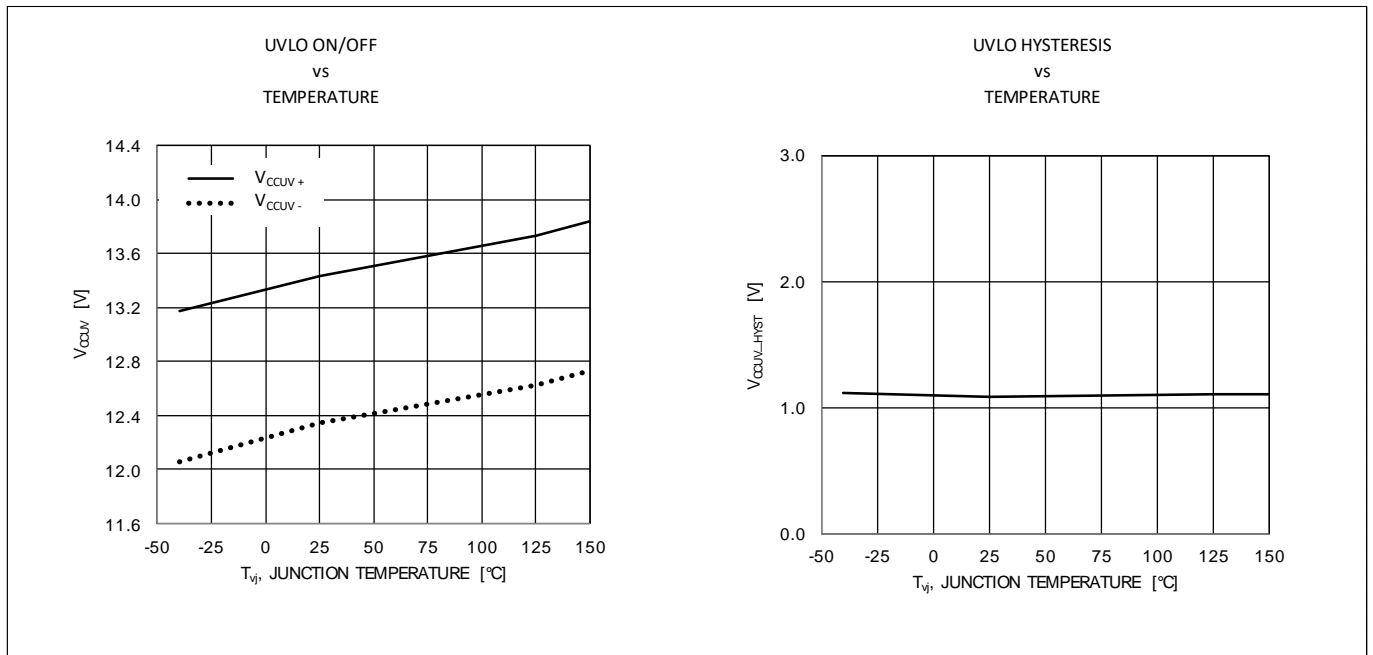


Figure 12. Undervoltage Lockout

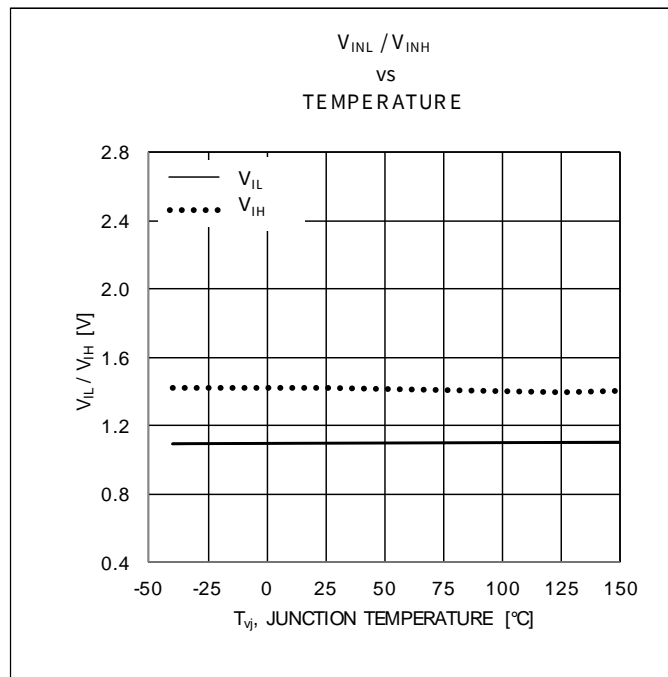
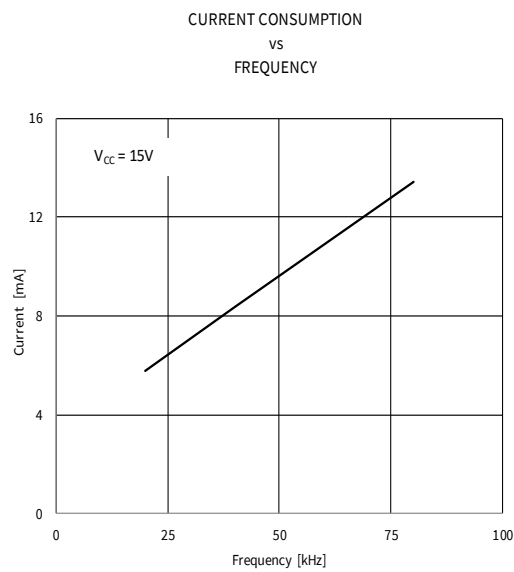
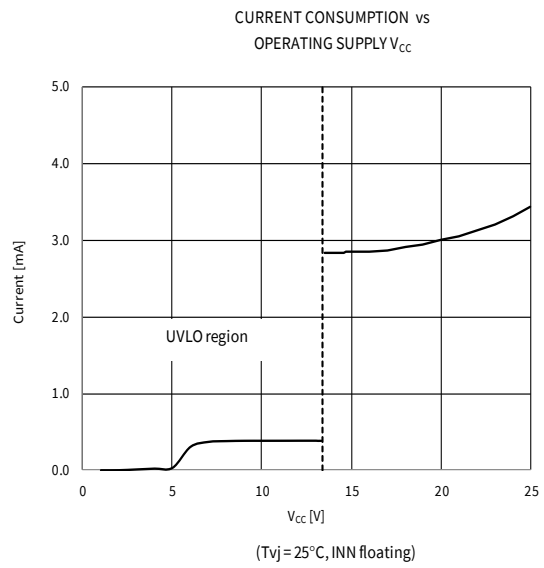
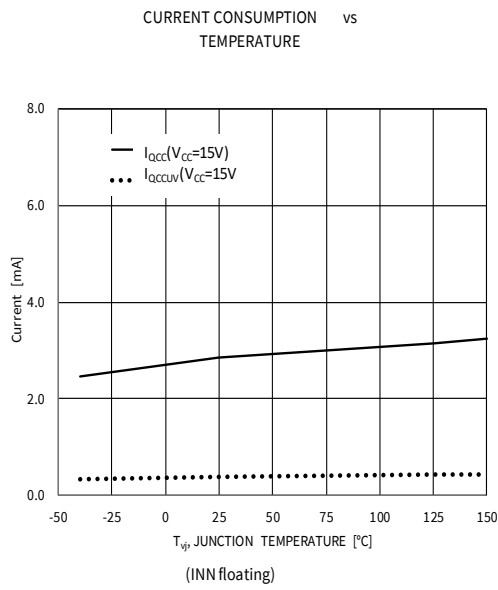


Figure 13. Input Voltage Characteristic

Electrical Characteristics Diagrams



Electrical Characteristics Diagrams

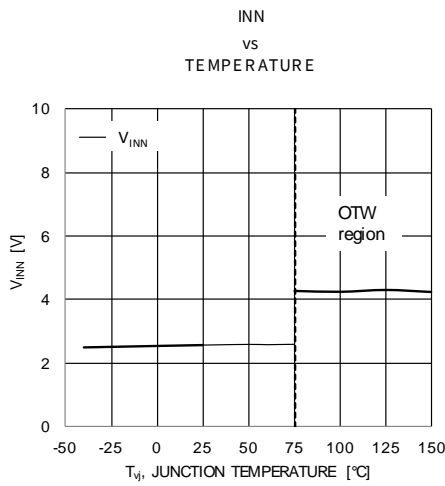


Figure 15. INN vs T_j

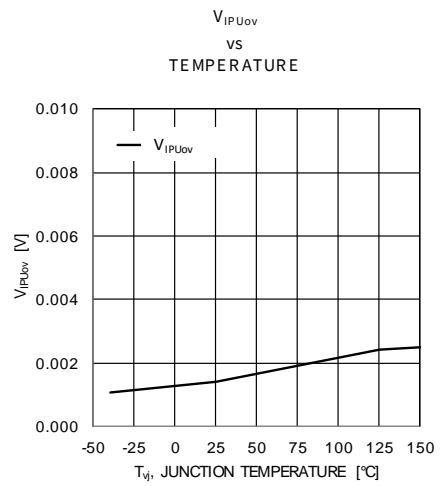


Figure 16. V_{IPUov} vs T_j

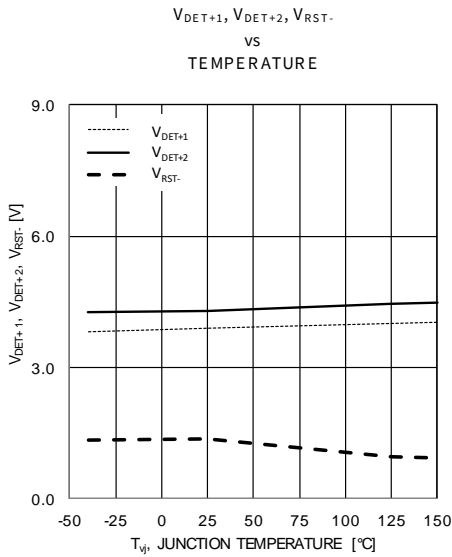


Figure 17. V_{DET+1}, V_{DET+2}, V_{RST-} vs T_j

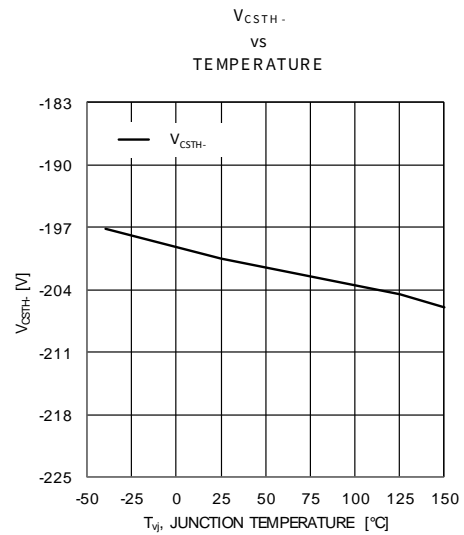


Figure 18. V_{CSTH-} vs T_j

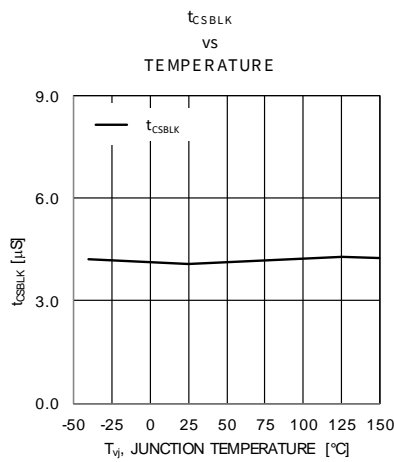


Figure 19. t_{CSBLK} vs T_j

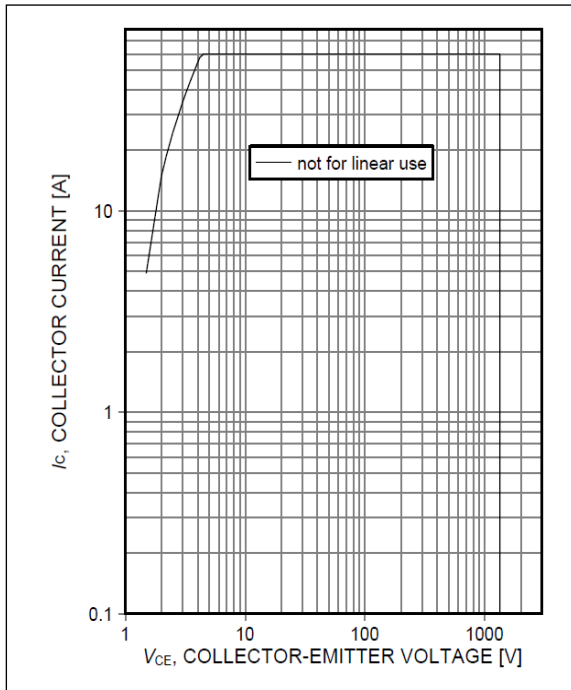


Figure 20. Safe operating area
 (D=0, T_C=25°C, T_{vj}=175°C; V_{CC}=15V, t_p=1μs)

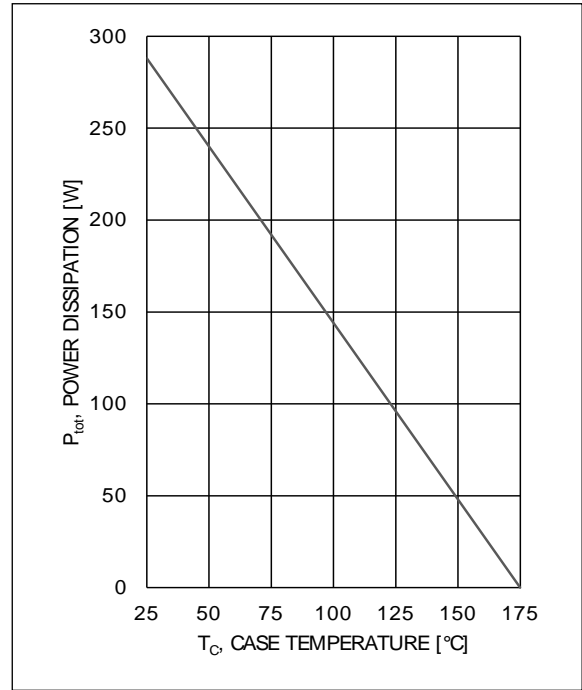


Figure 21. Power dissipation as a function of case temperature
 (T_{vj} ≤ 175°C)

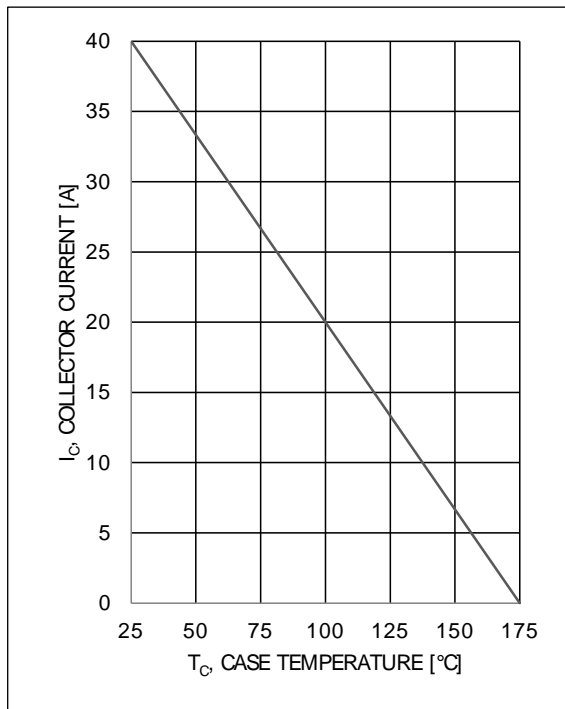


Figure 22. Collector current as a function of case temperature
 (V_{CC} ≥ 15V, T_{vj} ≤ 175°C; t_p = 1μs)

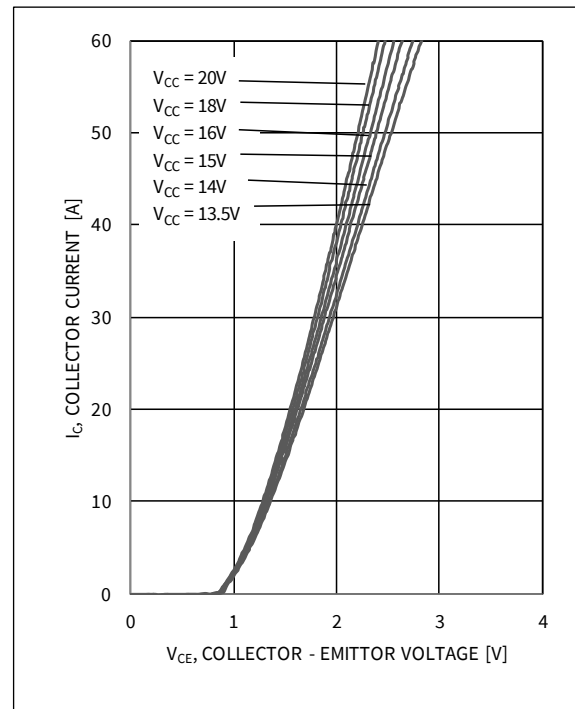


Figure 23. Typical output characteristic
 (T_{vj} = 25°C)

Electrical Characteristics Diagrams

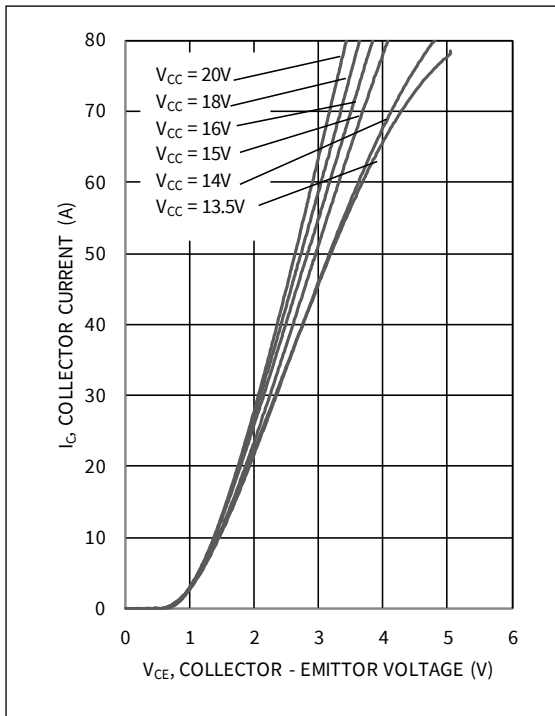


Figure 24. Typical output characteristic ($T_{vj}=150^\circ\text{C}$)

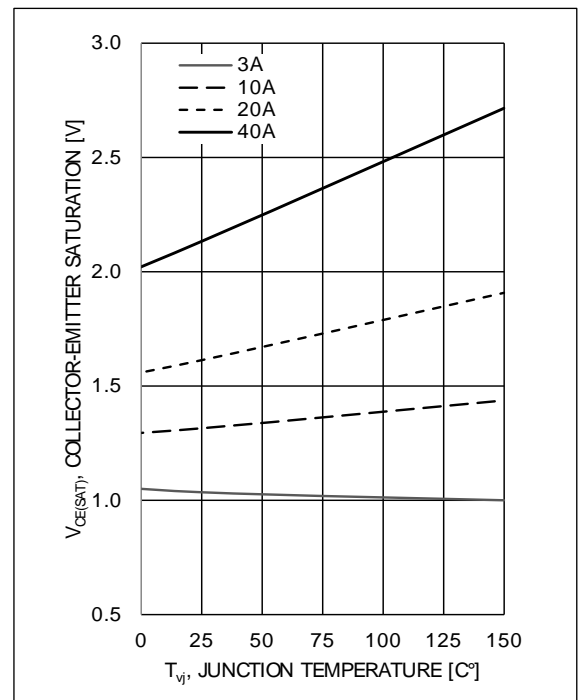


Figure 25. Typical collector-emitter saturation voltage as a function of junction temperature ($V_{CC}=15\text{V}$)

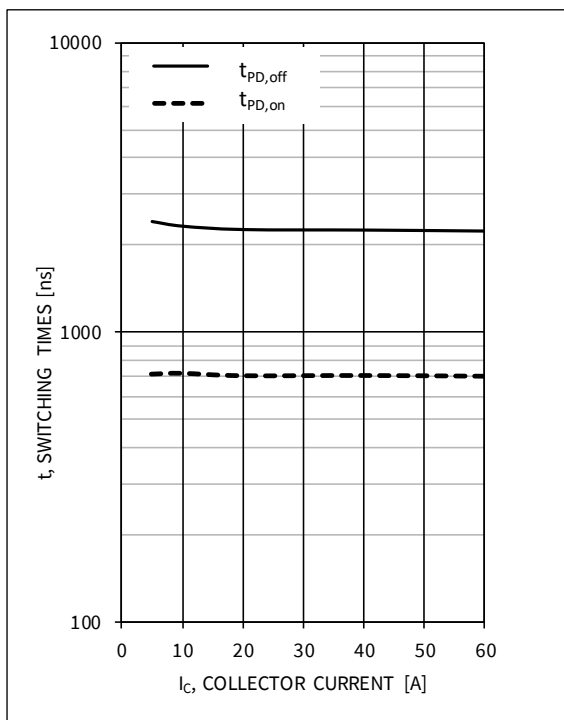


Figure 26. Typical switching times as a function of collector current (inductive load, $T_{vj}=150^\circ\text{C}$, $V_{CE}=600\text{V}$, $V_{CC}=15$, dynamic test circuit in Figure F)

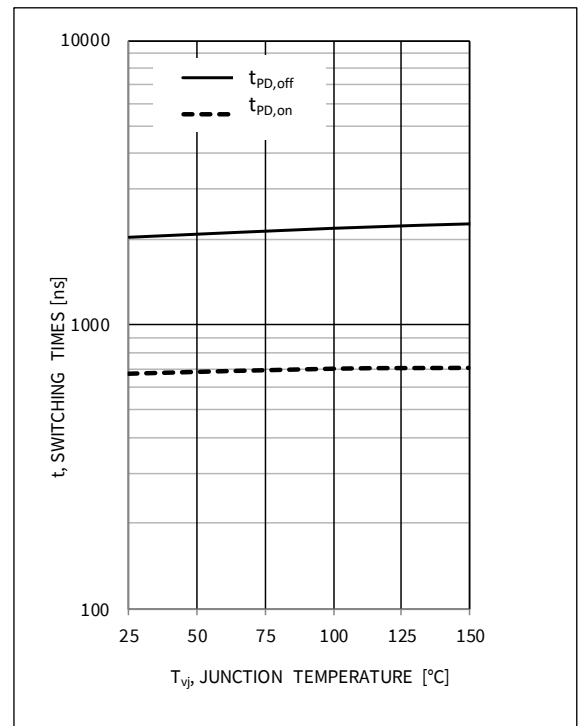


Figure 27. Typical switching times as a function of junction temperature (inductive load, $V_{CE}=600\text{V}$, $V_{CC}=15\text{V}$, $I_C=20\text{A}$, Dynamic test circuit in Figure F)

IPD Protect

IGBT 20A/1350V RC-H5 technology with driver IC

Electrical Characteristics Diagrams

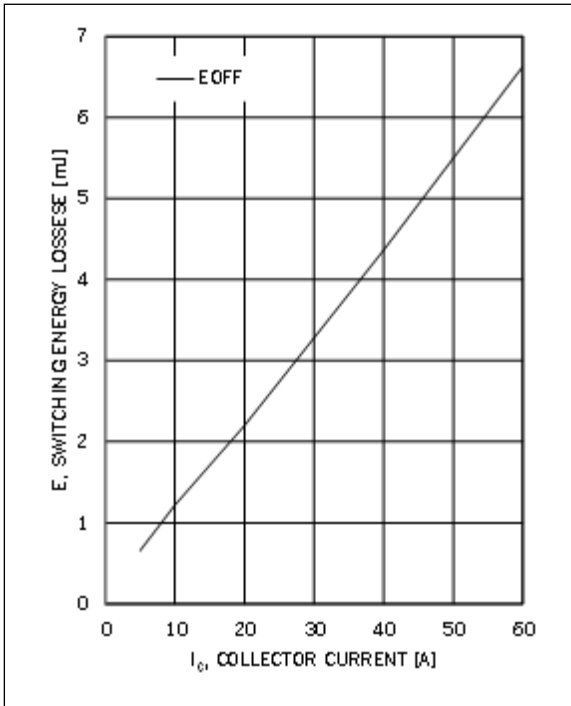


Figure 28. Typical switching energy losses as a function of collector current
 (inductive load, $T_{vj}=150^{\circ}\text{C}$, $V_{CE}=600\text{V}$, $V_{CC}=15\text{V}$, Dynamic test circuit in Figure F)

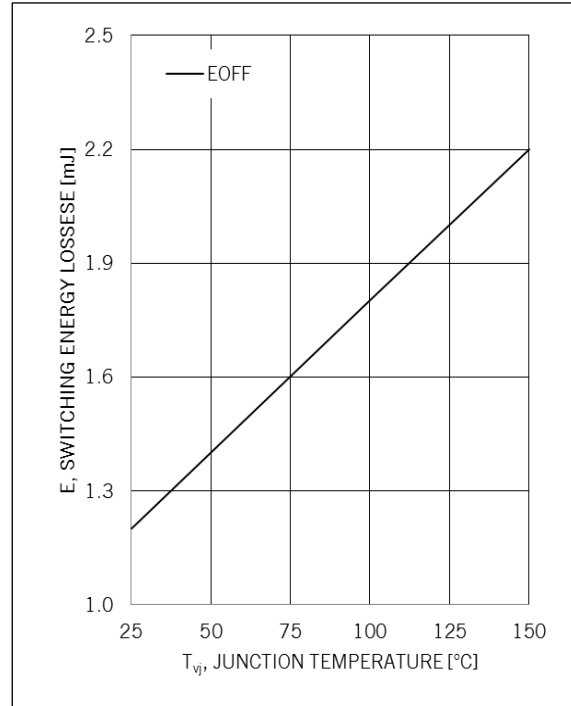


Figure 29. Typical switching energy losses as a function of junction temperature
 (inductive load, $V_{CE}=600\text{V}$, $V_{CC}=15\text{V}$, $I_C=20\text{A}$, Dynamic test circuit in Figure F)

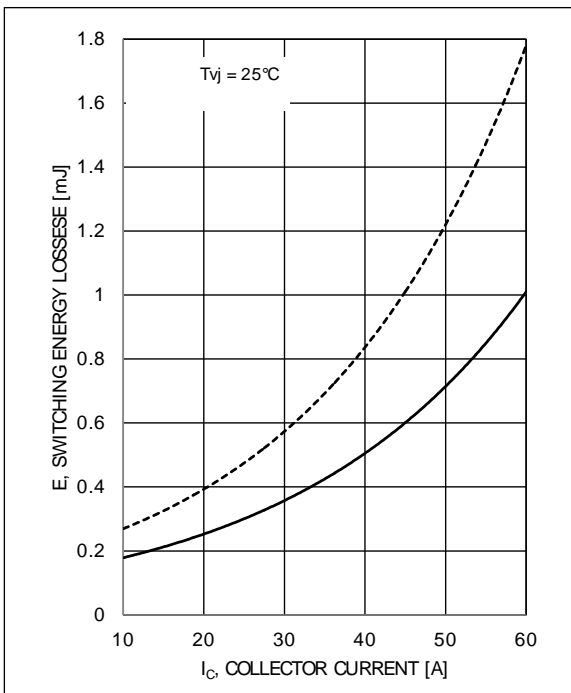


Figure 30. Typical turn off switching energy loss for soft switching
 (Inductive load, $V_{CE}=600\text{V}$, $V_{CC}=15\text{V}$, Dynamic test circuit in Figure F)

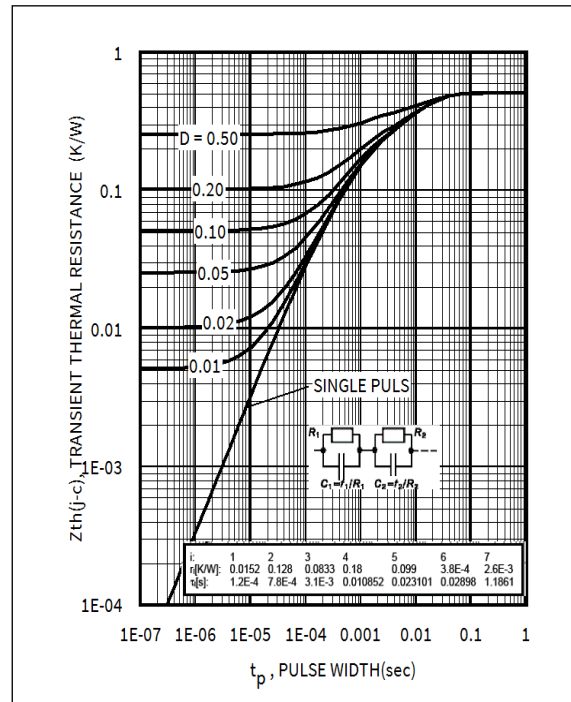


Figure 31. IGBT transient thermal impedance
 ($D=t_p/T$)

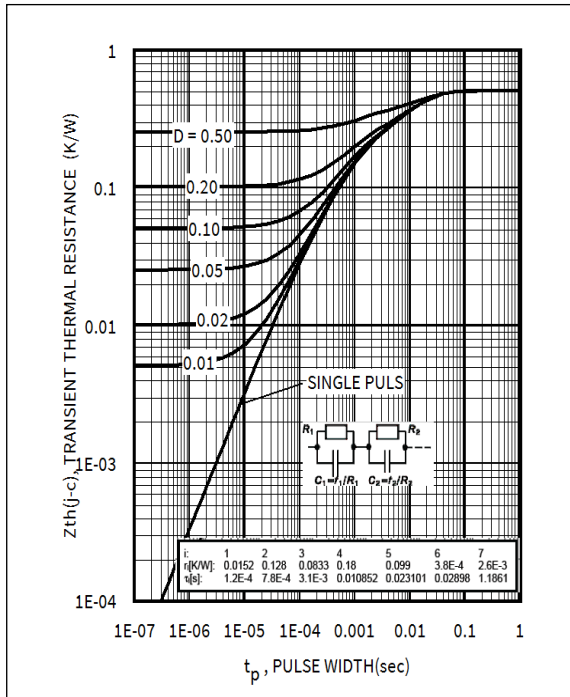


Figure 32. Diode transient thermal impedance as a function of pulse width
 ($D=t_p/T$)

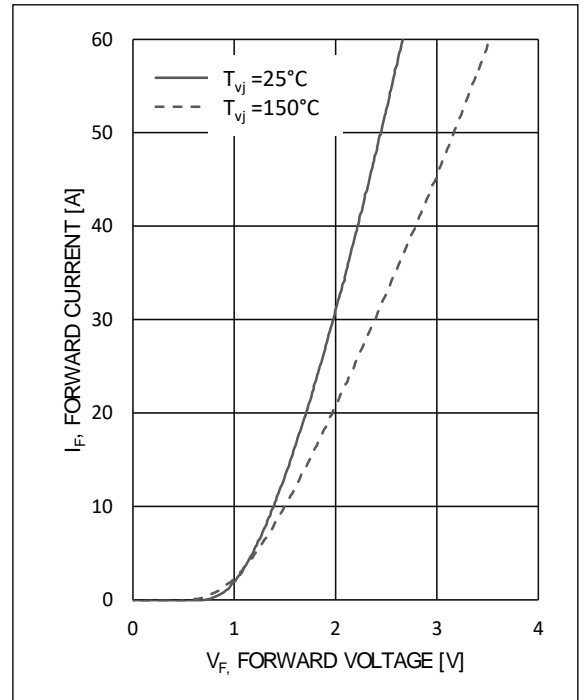


Figure 33. Typical diode forward current as a function of forward voltage

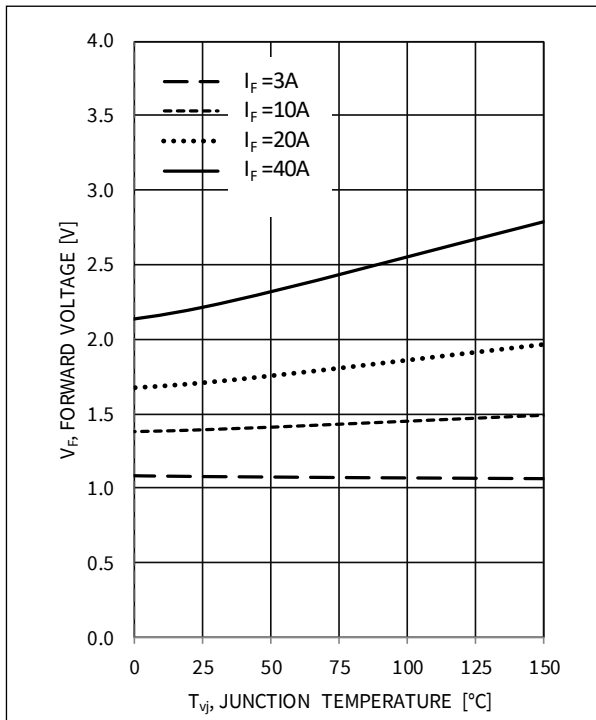


Figure 34. Typical diode forward voltage as a function of junction temperature

8 Test Conditions

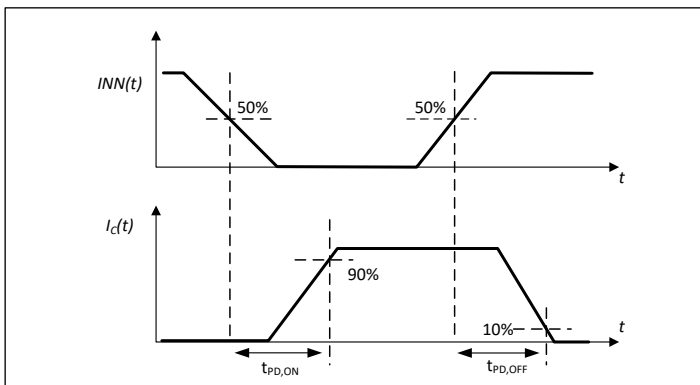


Figure A. Definition of switching times

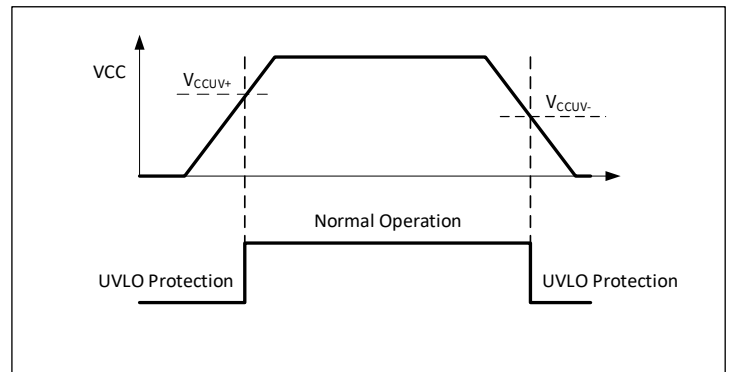


Figure D. UVLO Protection

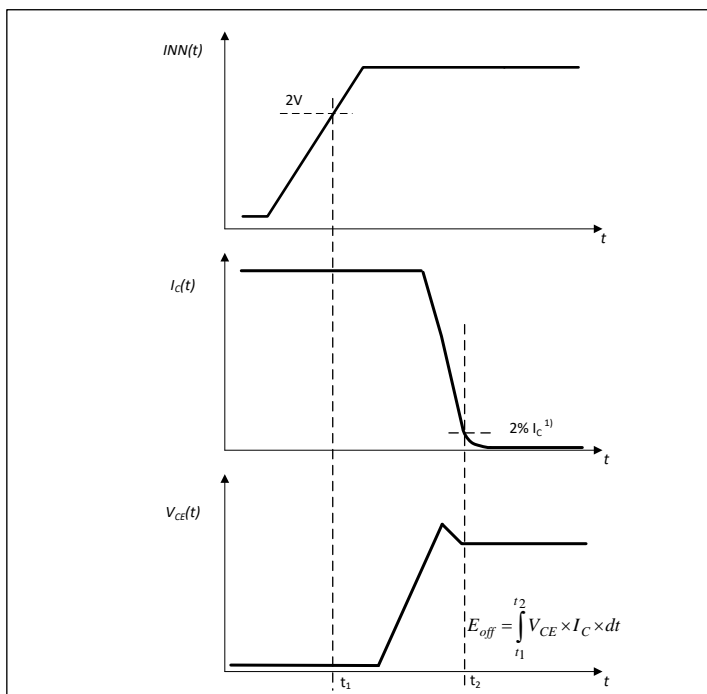


Figure B. Definition of switching losses

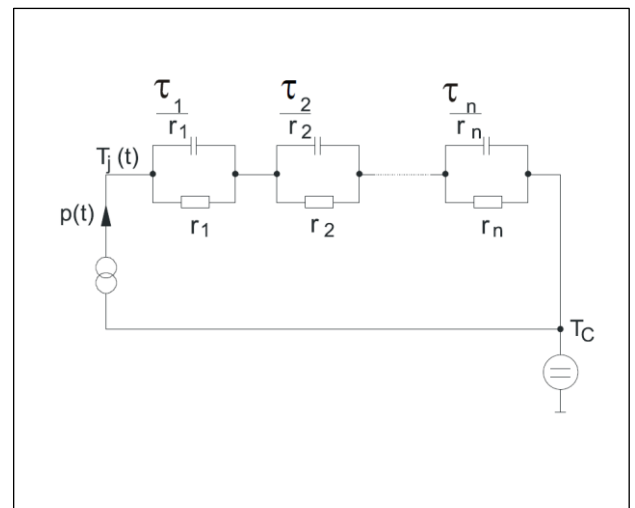


Figure E. Thermal equivalent circuit

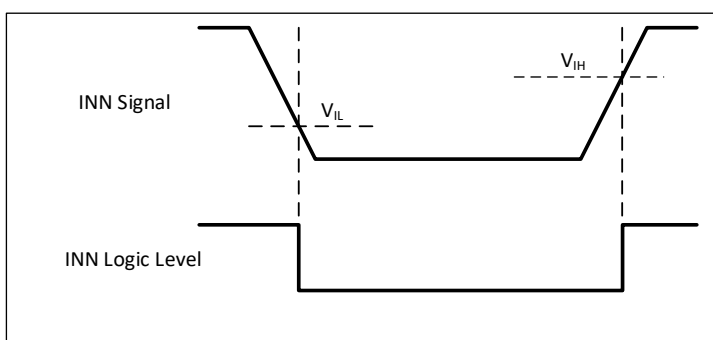


Figure C. INN Thresholds

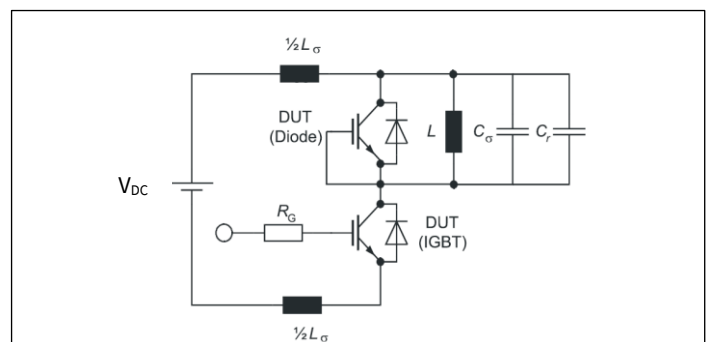
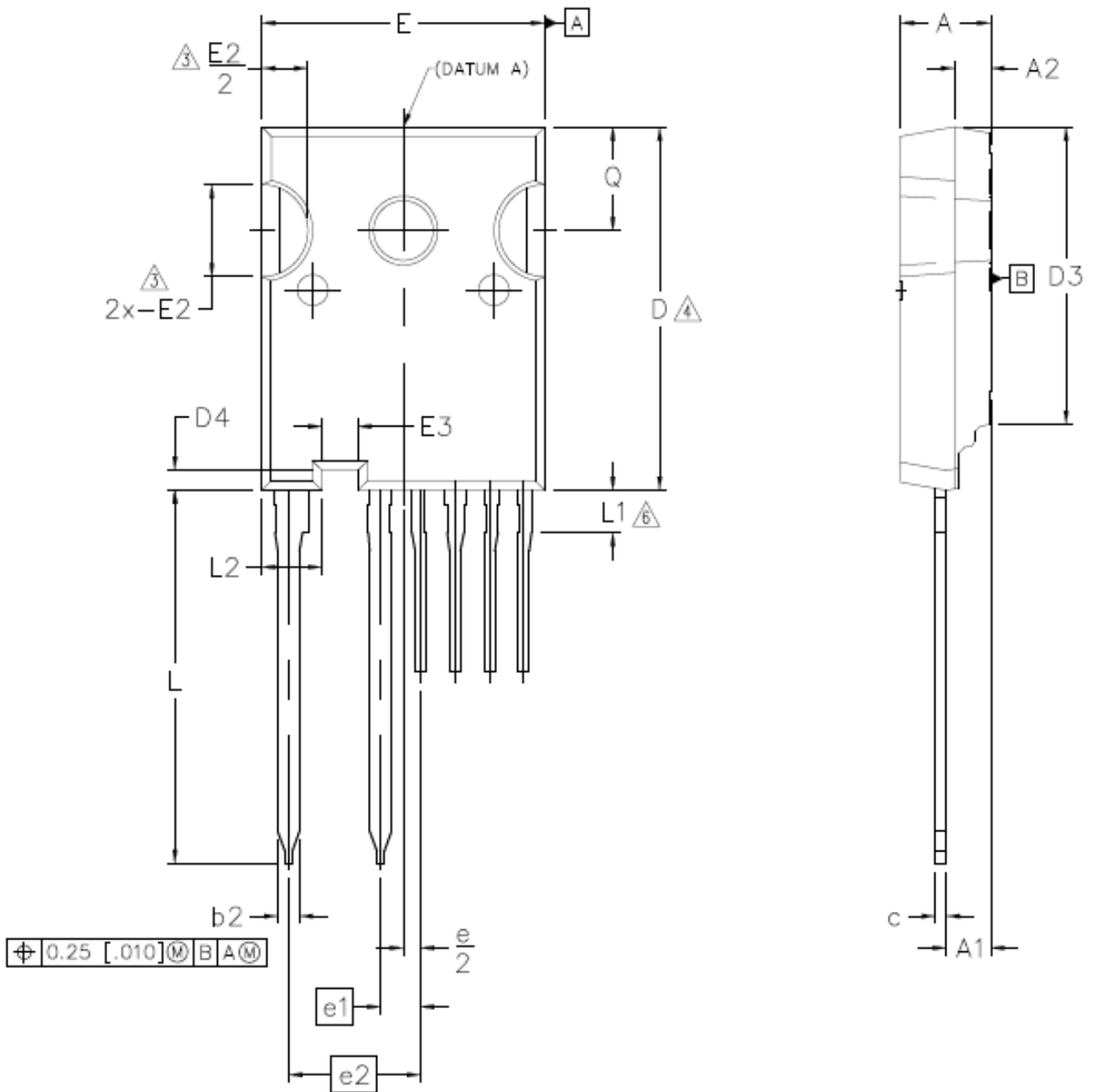


Figure F. Dynamic test circuit

¹ For soft switching is 1% Ic.

9 Package Drawing

PG-TO247-6



Package Dimensions

9.1 Package Dimensions

NOTES:

1. DIMENSIONING AND TOLERANCING AS PER ASME Y14.5M 1994.
2. DIMENSIONS ARE SHOWN IN MILLIMETERS
3. CONTOUR OF SLOT OPTIONAL.
4. DIMENSION DOES NOT INCLUDE MOLD FLASH. MOLD FLASH SHALL NOT EXCEED 0.13 [,.005"] PER SIDE. THESE DIMENSIONS ARE MEASURED AT THE OUTERMOST EXTREMES OF THE PLASTIC BODY.
5. THERMAL PAD CONTOUR OPTIONAL WITHIN DIMENSIONS D1 & E1.
6. LEAD FINISH UNCONTROLLED IN L1.
7. ϕP TO HAVE A MAXIMUM DRAFT ANGLE OF 1.5 ° TO THE TOP OF THE PART WITH A MAXIMUM HOLE DIAMETER OF .154 INCH.
8. A1 MEASUREMENT IS LOCATED AT 2.33 MM FROM THE PACKAGE EDGE.

SYMBOL	DIMENSIONS				NOTES
	MILLIMETERS		INCHES		
	MIN.	MAX.	MIN.	MAX.	
A	4.65	5.31	.183	.209	
A1	2.15	2.70	.085	.106	8
A2	1.50	2.50	.059	.098	
b	0.45	0.80	.018	.031	
b2	0.90	1.50	.035	.059	
c	0.45	0.90	.018	.035	
D	19.70	20.70	.776	.815	4
D1	12.20	–	.480	–	5
D2	1.00	1.80	.040	.071	
D3	16.00	17.00	.630	.670	
D4	0.90	1.30	.035	.051	4
E	15.30	15.90	.602	.626	4
E1	12.20	–	.480	–	5
E2	4.70	5.50	.185	.216	
E3	1.80	2.20	.071	.087	4
e	1.90	BSC	.075	BSC	
e1	2.20	BSC	.087	BSC	
e2	7.28	BSC	.287	BSC	
ϕk	0.25		.010		
L	19.80	21.00	.780	.827	
L1	2.03	2.64	.080	.104	6
L2	3.00	3.60	.118	.142	4
L4	9.40	10.60	.370	.417	
ϕP	3.48	3.76	.137	.148	4
$\phi P1$	–	7.39	–	.291	
Q	5.40	6.20	.212	.244	
S	5.72	BSC	.225	BSC	

Revision History**Revision: 2020-01-22, Rev.2.2**

Revision	Date	Subjects (major changes since last revision)
2.0	2018-06-28	Final Datasheet
2.1	28-05-2019	Revised version
2.2	22-01-2020	Product name change
2.3	24-04-2020	Correction of acronym 'IPD' in page 1, correction of minor typos

Trademarks

All referenced product or service names and trademarks are the property of their respective owners.

Published by
Infineon Technologies AG
81726 München, Germany
© Infineon Technologies AG 2018.
All Rights Reserved.

Important Notice

The information given in this document shall in no event be regarded as a guarantee of conditions or characteristics (“Beschaffenhheitsgarantie”). With respect to any examples, hints or any typical values stated herein and/or any information regarding the application of the product, Infineon Technologies hereby disclaims any and all warranties and liabilities of any kind, including without limitation warranties of non-infringement of intellectual property rights of any third party.

In addition, any information given in this document is subject to customer’s compliance with its obligations stated in this document and any applicable legal requirements, norms and standards concerning customer’s products and any use of the product of Infineon Technologies in customer’s applications.

The data contained in this document is exclusively intended for technically trained staff. It is the responsibility of customer’s technical departments to evaluate the suitability of the product for the intended application and the completeness of the product information given in this document with respect to such application.

For further information on the product, technology, delivery terms and conditions and prices please contact your nearest Infineon Technologies office (www.infineon.com).

Please note that this product is not qualified according to the AEC Q100 or AEC Q101 documents of the Automotive Electronics Council.

Warnings

Due to technical requirements products may contain dangerous substances. For information on the types in question please contact your nearest Infineon Technologies office.

Except as otherwise explicitly approved by Infineon Technologies in a written document signed by authorized representatives of Infineon Technologies, Infineon Technologies’ products may not be used in any applications where a failure of the product or any consequences of the use thereof can reasonably be expected to result in personal injury

X-ON Electronics

Largest Supplier of Electrical and Electronic Components

Click to view similar products for [IGBT Transistors](#) category:

Click to view products by [Infineon](#) manufacturer:

Other Similar products are found below :

[748152A](#) [APT20GT60BRDQ1G](#) [APT50GT60BRG](#) [NGTB10N60FG](#) [STGFW20V60DF](#) [APT30GP60BG](#) [APT45GR65B2DU30](#)
[GT50JR22\(STA1ES\)](#) [TIG058E8-TL-H](#) [IGW40N120H3FKSA1](#) [VS-CPV364M4KPBF](#) [NGTB25N120FL2WAG](#) [NGTG40N120FL2WG](#)
[RJH60F3DPQ-A0#T0](#) [APT40GR120B2SCD10](#) [APT15GT120BRG](#) [APT20GT60BRG](#) [NGTB75N65FL2WAG](#) [NGTG15N120FL2WG](#)
[IXA30RG1200DHGLB](#) [IXA40RG1200DHGLB](#) [APT70GR65B2DU40](#) [NTE3320](#) [QP12W05S-37A](#) [IHF40N65R5SXXSA1](#) [APT70GR120J](#)
[APT35GP120JDQ2](#) [XD15H120CX1](#) [XD25H120CX0](#) [XP15PJS120CL1B1](#) [IGW30N60H3FKSA1](#) [STGWA8M120DF3](#) [IGW08T120FKSA1](#)
[IGW75N60H3FKSA1](#) [FGH60N60SMD_F085](#) [FGH75T65UPD](#) [STGWA15H120F2](#) [IKA10N60TXKSA1](#) [IHW20N120R5XKSA1](#)
[RJH60D2DPP-M0#T2](#) [IKP20N60TXKSA1](#) [IHW20N65R5XKSA1](#) [APT70GR120JD60](#) [AOD5B60D](#) [APT70GR120L](#) [STGWT60H65FB](#)
[STGWT60H65DFB](#) [STGWT40V60DF](#) [STGWT20V60DF](#) [STGB10NB37LZT4](#)