

# IFX8117

1A Low-Dropout Linear Voltage Regulator

IFX8117MEV  
IFX8117MEV33  
IFX8117MEV50

## Data Sheet

Rev. 1.01, 2010-07-02

Standard Power



## 1 Overview

### Features

- 5 V, 3.3 V and Adjustable Voltage Versions
- SOT-223 Package
- Output Current Limitation and Overtemperature Shutdown
- Output Current up to 1A
- Temperature Range 0 °C to 125 °C
- Line Regulation max. 0.2 %
- Load Regulation max. 0.4 %
- “1117” and “8117” Pin Compatible
- Green Product (RoHS compliant)



**PG-SOT223-4**

### Applications

- Post Regulator for Switching DC/DC Converter
- High Efficiency Linear Regulators
- Battery Charger
- Battery Powered Instrumentation
- 5 V to 3.3 V Linear Regulators
- USB Hubs
- Routers, ISDN/DSL Modems
- Active SCSI Terminators

### General Description

The IFX8117 is a family of low dropout voltage regulators with a dropout voltage of 1.2 V at 1 A of load current. It is available as adjustable version (IFX8117MEV), providing output voltages from 1.25 V to 13.8 V, configured by two external resistors. Additionally, the IFX8117 is also available in two fixed voltages, 5 V (IFX8117MEV50) and 3.3 V (IFX8117MEV33).

The IFX8117 implements protection features such as output current limitation and overtemperature shutdown. A highly precise bandgap reference trimmed in production assures output voltage accuracy to within  $\pm 1$  %.

The IFX8117 family comes in the PG-SOT223-4 package. To improve the transient response and the stability, a minimum of 10  $\mu$ F tantalum capacitor is required at the output.

| Type         | Package     | Marking |
|--------------|-------------|---------|
| IFX8117MEV   | PG-SOT223-4 | 8117AD  |
| IFX8117MEV33 | PG-SOT223-4 | 8117V3  |
| IFX8117MEV50 | PG-SOT223-4 | 8117V5  |

## 2 Typical Application

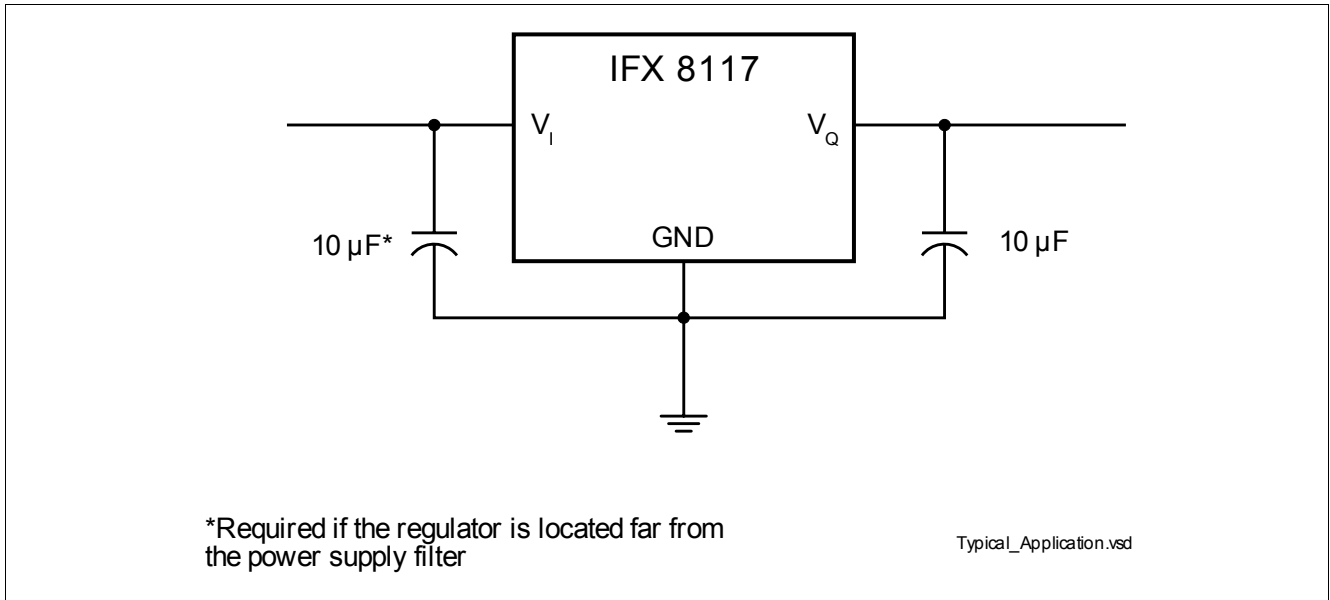


Figure 1 Typical Application

### 3 Block Diagram

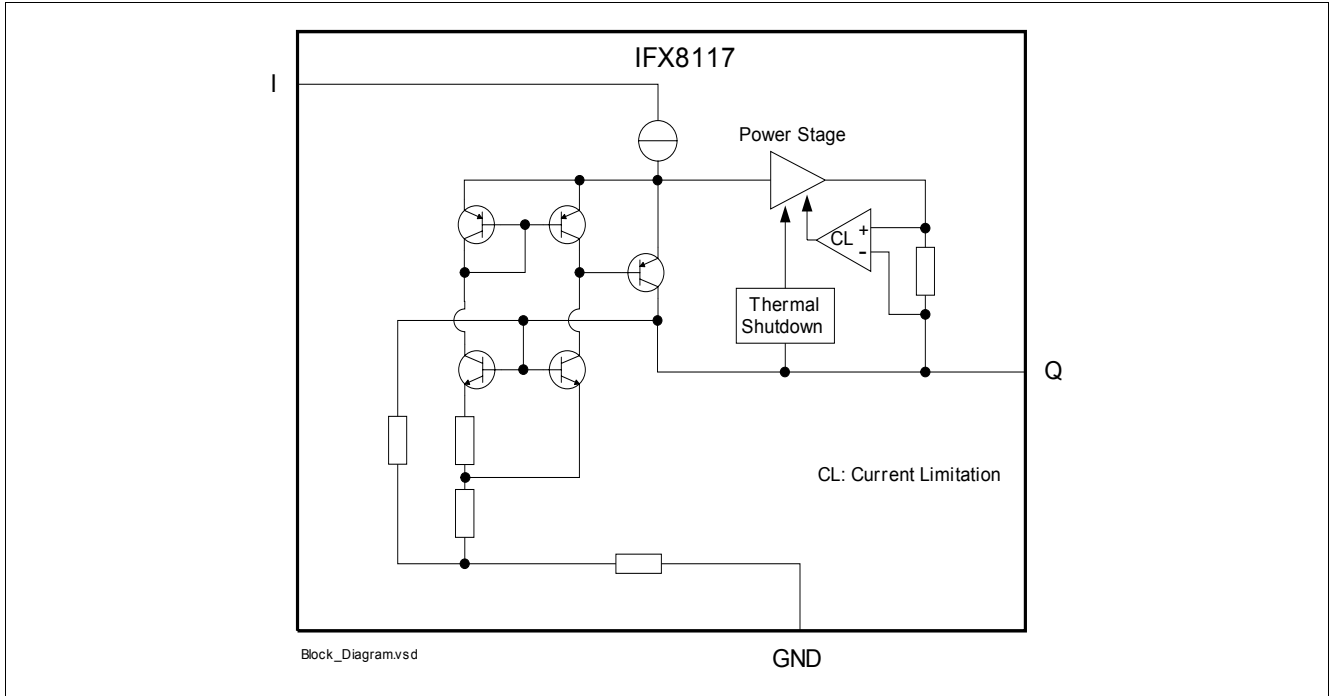


Figure 2 Block Diagram (fixed voltage versions IFX8117MEV33 and IFX8117MEV50)

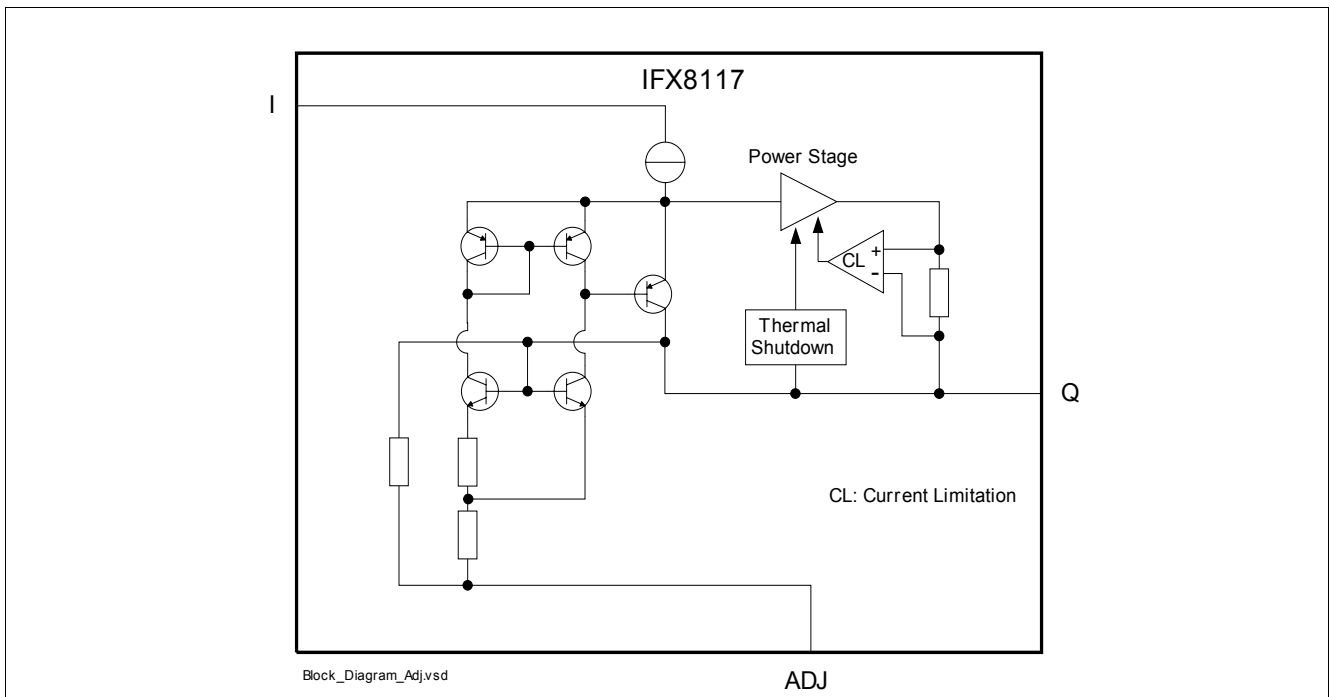


Figure 3 Block Diagram (adjustable voltage version IFX8117MEV)

## 4 Pin Configuration

### 4.1 Pin Assignment Fixed Voltage Versions IFX8117MEV33 and IFX8117MEV50

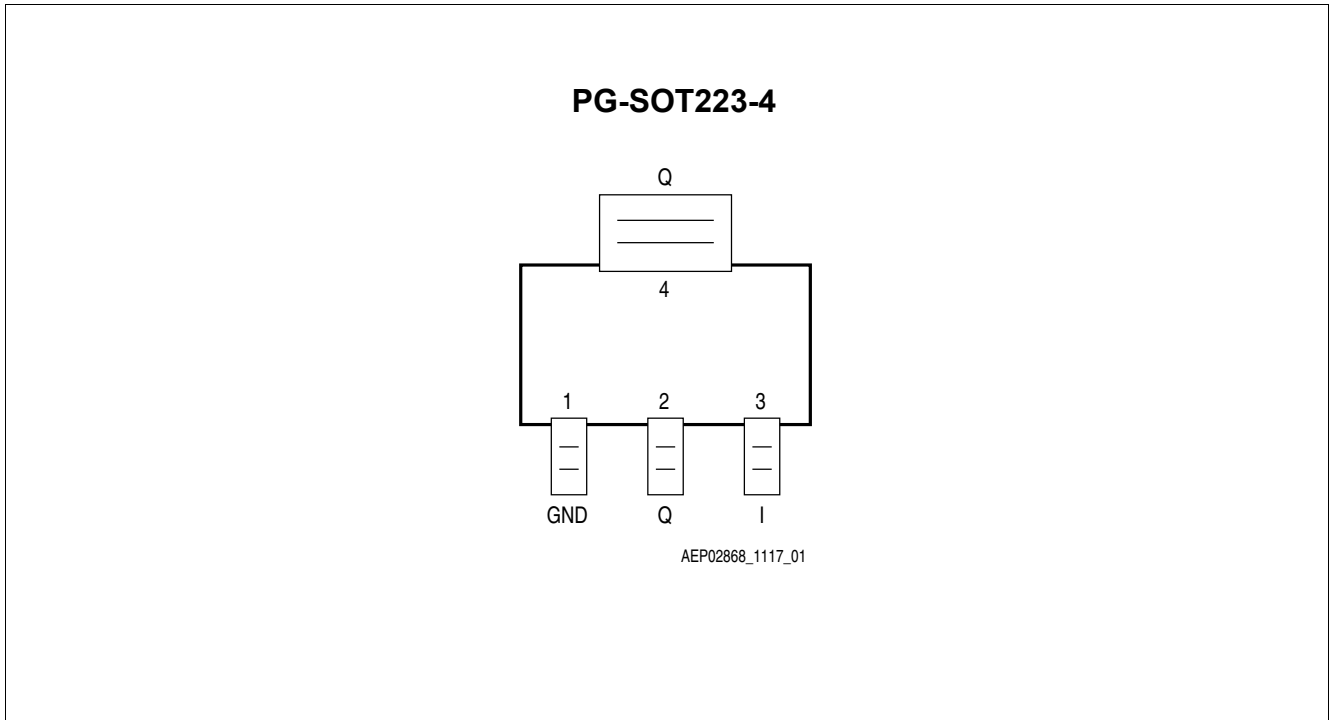


Figure 4 Pin Assignment IFX8117MEV33 and IFX8117MEV50 (top view)

### 4.2 Pin Definitions and Functions Fixed Voltage Versions IFX8117MEV33 and IFX8117MEV50

| Pin     | Symbol | Function   |
|---------|--------|--|
| 1       | GND    | <b>Ground</b>  |
| 2       | Q      | <b>Output</b><br>block to GND with a capacitor close to the IC terminals, respecting the values given for its capacitance $C_Q$ and ESR in the table <b>“Functional Range” on Page 8</b> |
| 3       | I      | <b>Input</b><br>for compensating line influences, a capacitor to GND close to the IC terminals is recommended  |
| 4 (Tab) | Q      | <b>Output</b><br>connect to pin 2;<br>connect to heatsink area   |

### 4.3 Pin Assignment Adjustable Voltage Version IFX8117MEV

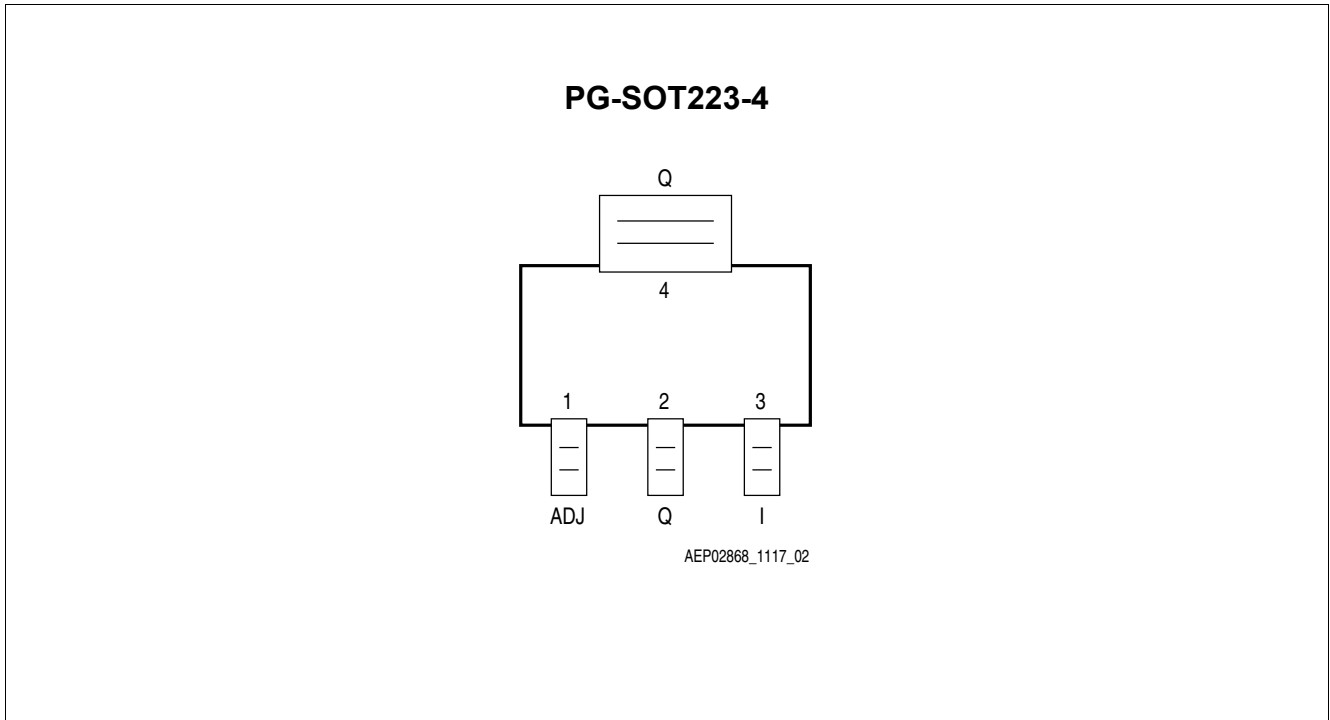


Figure 5 Pin Assignment IFX8117MEV (top view)

### 4.4 Pin Definitions and Functions Fixed Voltage Version IFX8117MEV

| Pin     | Symbol | Function  |
|---------|--------|---|
| 1       | ADJ    | <b>Adjust</b><br>connect to a voltage divider between Q and GND, see <a href="#">“External Resistor Divider (Adjustable Version IFX8117MEV only)”</a> on Page 16                                  |
| 2       | Q      | <b>Output</b><br>block to GND with a capacitor close to the IC terminals, respecting the values given for its capacitance $C_Q$ and ESR in the table <a href="#">“Functional Range”</a> on Page 8 |
| 3       | I      | <b>Input</b><br>for compensating line influences, a capacitor to GND close to the IC terminals is recommended   |
| 4 (Tab) | Q      | <b>Output</b><br>connect to pin 2;<br>connect to heatsink area  |

## 5 General Product Characteristics

### 5.1 Absolute Maximum Ratings

#### Absolute Maximum Ratings <sup>1)</sup>

0°C ≤ T<sub>j</sub> ≤ 125 °C; all voltages with respect to ground, positive current flowing into pin (unless otherwise specified)

| Pos.   | Parameter            | Symbol                            | Limit Values |      | Unit | Conditions                              |
|--|----------------------|-----------------------------------|--------------|------|------|---|
|  |                      |                                   | Min.         | Max. |      |   |
| <b>Input (fixed voltage version only)</b>      |                      |                                   |              |      |      |   |
| 5.1.1  | Voltage              | V <sub>I</sub>                    | -0.3         | 20   | V    | –                                       |
| <b>Input (adjustable voltage version only)</b> |                      |                                   |              |      |      |   |
| 5.1.2  | Voltage              | V <sub>I</sub> - V <sub>Q</sub>   | -0.3         | 20   | V    | –                                       |
| <b>Output</b>                                  |                      |                                   |              |      |      |   |
| 5.1.3  | Voltage              | V <sub>Q</sub>                    | -0.3         | 20   | V    | IFX8117MEV33<br>IFX8117MEV50            |
| 5.1.4  | Voltage              | V <sub>Q</sub> - V <sub>ADJ</sub> | -0.3         | 6    | V    | IFX8117MEV                              |
| <b>Temperature</b>                             |                      |                                   |              |      |      |   |
| 5.1.5  | Junction Temperature | T <sub>j</sub>                    | -40          | 150  | °C   | –                                       |
| 5.1.6  | Storage Temperature  | T <sub>stg</sub>                  | -50          | 150  | °C   | –                                       |
| <b>Electrostatic Discharge ESD</b>             |                      |                                   |              |      |      |   |
| 5.1.7  | ESD                  | V <sub>ESD,HBM</sub>              | -3           | 3    | kV   | Human Body Model (HBM) <sup>2)</sup>    |
| 5.1.8  |                      | V <sub>ESD,CDM</sub>              | -1           | 1    | kV   | Charge Device Model (CDM) <sup>3)</sup> |

1) Not subject to production test, specified by design.

2) ESD susceptibility, HBM according to EIA/JESD 22-A114B

3) ESD susceptibility, CDM EIA/JESD22-C101 or ESDA STM5.3.1

*Note: Stresses above the ones listed here may cause permanent damage to the device. Exposure to absolute maximum rating conditions for extended periods may affect device reliability.*

*Note: Integrated protection functions are designed to prevent IC destruction under fault conditions described in the data sheet. Fault conditions are considered as "outside" normal operating range. Protection functions are not designed for continuous repetitive operation.*

## 5.2 Functional Range

| Pos.  | Parameter                                     | Symbol     | Limit Values   |      | Unit | Conditions   |
|-------|---|------------|----------------|------|------|--------------|
|       |   |            | Min.           | Max. |      |              |
| 5.2.1 | Input Voltage                                 | $V_I$      | $V_Q + V_{DR}$ | 15   | V    | IFX8117MEV   |
|       |   |            | 4.55           | 15   | V    | IFX8117MEV33 |
|       |   |            | 6.25           | 15   | V    | IFX8117MEV50 |
| 5.2.2 | Output Capacitor's Requirements for Stability | $C_Q$      | 10             | –    | µF   | –            |
|       |   | $ESR(C_Q)$ | 0.5            | 5    | Ω    | –            |
| 5.2.3 | Junction Temperature                          | $T_j$      | 0              | 125  | °C   | –            |

Note: Within the functional range the IC operates as described in the circuit description. The electrical characteristics are specified within the conditions given in the related electrical characteristics table.

## 5.3 Thermal Resistance

| Pos.  | Parameter                                 | Symbol     | Limit Values |      |      | Unit | Conditions  |
|-------|---|------------|--------------|------|------|------|---|
|       |   |            | Min.         | Typ. | Max. |      |   |
| 5.3.1 | Junction to Soldering Point <sup>1)</sup> | $R_{thSP}$ | –            | 15   | –    | K/W  | measured to Pin 4 (Tab)                               |
| 5.3.2 | Junction to Ambient <sup>1)</sup>         | $R_{thJA}$ | –            | 51   | –    | K/W  | <sup>2)</sup>   |
| 5.3.3 |   |            | –            | 146  | –    | K/W  | Footprint only <sup>3)</sup>                          |
| 5.3.4 |   |            | –            | 75   | –    | K/W  | 300mm <sup>2</sup> heatsink area on PCB <sup>3)</sup> |
| 5.3.5 |   |            | –            | 63   | –    | K/W  | 600mm <sup>2</sup> heatsink area on PCB <sup>3)</sup> |

1) not subject to production test, specified by design

2) Specified  $R_{thJA}$  value is according to Jedec JESD51-2,-5,-7 at natural convection on FR4 2s2p board; The Product (Chip+Package) was simulated on a 76.2 x 114.3 x 1.5 mm board with 2 inner copper layers (2 x 70µm Cu, 2 x 35µm Cu). Where applicable a thermal via array under the heat slug contacted the first inner copper layer.

3) Specified  $R_{thJA}$  value is according to Jedec JESD 51-3 at natural convection on FR4 1s0p board; The Product (Chip+Package) was simulated on a 76.2 x 114.3 x 1.5 mm<sup>3</sup> board with 1 copper layer (1 x 70µm Cu).



## 5.4 Electrical Characteristics

### Electrical Characteristics Adjustable Version IFX8117MEV

0 °C ≤ T<sub>j</sub> ≤ 125 °C, all voltages with respect to ground, positive current flowing into pin  
(unless otherwise specified)

| Pos.   | Parameter  | Symbol                | Limit Values |       |       | Unit                        | Conditions   |
|--------|--|-----------------------|--------------|-------|-------|-----------------------------|--|
|        |  |                       | Min.         | Typ.  | Max.  |                             |  |
| 5.4.1  | Reference Voltage  | V <sub>Ref</sub>      | 1.238        | 1.250 | 1.262 | V                           | I <sub>Q</sub> = 10 mA<br>V <sub>I</sub> - V <sub>Q</sub> = 2 V<br>T <sub>J</sub> = 25 °C                        |
|        |  |                       | 1.225        | 1.250 | 1.270 | V                           | 10 mA < I <sub>Q</sub> < 1 A<br>1.4 V < V <sub>I</sub> - V <sub>Q</sub> < 10 V                                   |
| 5.4.2  | Line Regulation <sup>1)</sup>  | ΔV <sub>Q,line</sub>  | –            | 0.035 | 0.2   | % of V <sub>Q</sub>         | I <sub>Q</sub> = 10 mA<br>1.5 V < V <sub>I</sub> - V <sub>Q</sub> < 13.75 V                                      |
| 5.4.3  | Load Regulation <sup>1)</sup>  | ΔV <sub>Q,load</sub>  | –            | 0.2   | 0.4   | % of V <sub>Q</sub>         | V <sub>I</sub> - V <sub>Q</sub> = 3 V<br>10 mA < I <sub>Q</sub> < 1 A  |
| 5.4.4  | Dropout Voltage <sup>2)</sup><br>V <sub>dr</sub> = V <sub>I</sub> - V <sub>Q</sub> | V <sub>dr</sub>       | –            | 1.1   | 1.15  | V                           | I <sub>Q</sub> = 100 mA  |
|        |  |                       | –            | 1.15  | 1.2   | V                           | I <sub>Q</sub> = 500 mA  |
|        |  |                       | –            | 1.2   | 1.25  | V                           | I <sub>Q</sub> = 1 A   |
| 5.4.5  | Output Current Limitation  | I <sub>Q,max</sub>    | 1.0          | 1.4   | 1.9   | A                           | V <sub>I</sub> - V <sub>Q</sub> = 5 V<br>T <sub>J</sub> = 25 °C  |
| 5.4.6  | Minimum Load Current <sup>3)</sup>   | I <sub>Q,min</sub>    | –            | 0.4   | 5     | mA                          | V <sub>I</sub> = 15 V  |
| 5.4.7  | Thermal Regulation   | ΔV <sub>Q,power</sub> | –            | 0.01  | 0.1   | % of V <sub>Q</sub> per 1 W | T <sub>A</sub> = 25 °C<br>30 ms pulse  |
| 5.4.8  | Power Supply Ripple Rejection <sup>4)</sup>  | PSRR                  | 60           | 75    | –     | dB                          | V <sub>I</sub> - V <sub>Q</sub> = 3 V<br>f <sub>ripple</sub> = 120 Hz<br>V <sub>ripple</sub> = 1 V <sub>pp</sub> |
| 5.4.9  | Adjust Pin Current   | I <sub>ADJ</sub>      | 10           | 30    | 50    | μA                          | –  |
| 5.4.10 | Adjust Pin Current Change  | ΔI <sub>ADJ</sub>     | –            | 0.2   | 5     | μA                          | 10 mA < I <sub>Q</sub> < 1 A<br>1.4 V < V <sub>I</sub> - V <sub>Q</sub> < 10 V                                   |
| 5.4.11 | Temperature Stability <sup>4)</sup>  | ΔV <sub>Q,temp</sub>  | –            | 0.5   | –     | % of V <sub>Q</sub>         | –  |
| 5.4.12 | Long Term Stability <sup>4)</sup>  | ΔV <sub>Q,1000h</sub> | –            | 0.3   | –     | % of V <sub>Q</sub>         | T <sub>A</sub> = 125 °C<br>1000h   |
| 5.4.13 | RMS Output Noise <sup>4)</sup>   | V <sub>Q,RMS</sub>    | –            | 0.003 | –     | % of V <sub>Q</sub>         | 10 Hz < f < 10 kHz   |

1) Measured at constant junction temperature

2) Measured when the output voltage V<sub>Q</sub> has dropped 100mV from the nominal value obtained at V<sub>I</sub> = V<sub>Q</sub> + 1.5 V

3) Minimum output current required to maintain regulation

4) Not subject to production test, specified by design

**Electrical Characteristics 3.3 V Version IFX8117MEV33**

0 °C ≤ T<sub>j</sub> ≤ 125 °C, all voltages with respect to ground, positive current flowing into pin  
(unless otherwise specified)

| Pos.   | Parameter  | Symbol                | Limit Values |       |       | Unit                        | Conditions   |
|--------|--|-----------------------|--------------|-------|-------|-----------------------------|--|
|        |  |                       | Min.         | Typ.  | Max.  |                             |  |
| 5.4.14 | Output Voltage   | V <sub>Q</sub>        | 3.267        | 3.300 | 3.333 | V                           | I <sub>Q</sub> = 10 mA<br>V <sub>I</sub> = 5 V<br>T <sub>J</sub> = 25 °C   |
|        |  |                       | 3.235        | 3.300 | 3.365 | V                           | 0 mA < I <sub>Q</sub> < 1 A<br>4.75 V < V <sub>I</sub> < 10 V  |
| 5.4.15 | Line Regulation <sup>1)</sup>  | ΔV <sub>Q,line</sub>  | –            | 1     | 6     | mV                          | I <sub>Q</sub> = 0 mA<br>4.75 V < V <sub>I</sub> < 15 V  |
| 5.4.16 | Load Regulation <sup>1)</sup>  | ΔV <sub>Q,load</sub>  | –            | 0.2   | 0.4   | % of V <sub>Q</sub>         | V <sub>I</sub> = 4.75 V<br>0 mA < I <sub>Q</sub> < 1 A   |
| 5.4.17 | Dropout Voltage <sup>2)</sup><br>V <sub>dr</sub> = V <sub>I</sub> - V <sub>Q</sub> | V <sub>dr</sub>       | –            | 1.1   | 1.15  | V                           | I <sub>Q</sub> = 100 mA  |
|        |  |                       | –            | 1.15  | 1.2   | V                           | I <sub>Q</sub> = 500 mA  |
|        |  |                       | –            | 1.2   | 1.25  | V                           | I <sub>Q</sub> = 1 A   |
| 5.4.18 | Output Current Limitation  | I <sub>Q,max</sub>    | 1.0          | 1.4   | 1.9   | A                           | V <sub>I</sub> - V <sub>Q</sub> = 5 V<br>T <sub>J</sub> = 25 °C  |
| 5.4.19 | Quiescent Current  | I <sub>q</sub>        | –            | 5     | 10    | mA                          | V <sub>I</sub> = 15 V  |
| 5.4.20 | Thermal Regulation   | ΔV <sub>Q,power</sub> | –            | 0.01  | 0.1   | % of V <sub>Q</sub> per 1 W | T <sub>A</sub> = 25 °C<br>30 ms pulse  |
| 5.4.21 | Power Supply Ripple Rejection <sup>3)</sup>  | PSRR                  | 60           | 75    | –     | dB                          | V <sub>I</sub> - V <sub>Q</sub> = 3 V<br>f <sub>ripple</sub> = 120 Hz<br>V <sub>ripple</sub> = 1 V <sub>pp</sub> |
| 5.4.22 | Temperature Stability <sup>3)</sup>  | ΔV <sub>Q,temp</sub>  | –            | 0.5   | –     | % of V <sub>Q</sub>         | –  |
| 5.4.23 | Long Term Stability <sup>3)</sup>  | ΔV <sub>Q,1000h</sub> | –            | 0.3   | –     | % of V <sub>Q</sub>         | T <sub>A</sub> = 125 °C<br>1000h   |
| 5.4.24 | RMS Output Noise <sup>3)</sup>   | V <sub>Q,RMS</sub>    | –            | 0.003 | –     | % of V <sub>Q</sub>         | 10 Hz < f < 10 kHz   |

1) Measured at constant junction temperature

2) Measured when the output voltage V<sub>Q</sub> has dropped 100mV from the nominal value obtained at V<sub>I</sub> = V<sub>Q</sub> + 1.5 V

3) Not subject to production test, specified by design

**Electrical Characteristics 5 V Version IFX8117MEV50**

0 °C ≤ T<sub>j</sub> ≤ 125 °C, all voltages with respect to ground, positive current flowing into pin  
(unless otherwise specified)

| Pos.   | Parameter  | Symbol                | Limit Values |       |       | Unit                        | Conditions   |
|--------|--|-----------------------|--------------|-------|-------|-----------------------------|--|
|        |  |                       | Min.         | Typ.  | Max.  |                             |  |
| 5.4.25 | Output Voltage   | V <sub>Q</sub>        | 4.950        | 5.000 | 5.050 | V                           | I <sub>Q</sub> = 10 mA<br>V <sub>I</sub> = 7 V<br>T <sub>J</sub> = 25 °C   |
|        |  |                       | 4.900        | 5.000 | 5.100 | V                           | 0 mA < I <sub>Q</sub> < 1 A<br>6.5 V < V <sub>I</sub> < 10 V   |
| 5.4.26 | Line Regulation <sup>1)</sup>  | ΔV <sub>Q,line</sub>  | –            | 1     | 6     | mV                          | I <sub>Q</sub> = 0 mA<br>6.5 V < V <sub>I</sub> < 15 V   |
| 5.4.27 | Load Regulation <sup>1)</sup>  | ΔV <sub>Q,load</sub>  | –            | 0.2   | 0.4   | % of V <sub>Q</sub>         | V <sub>I</sub> = 6.5 V<br>0 mA < I <sub>Q</sub> < 1 A  |
| 5.4.28 | Dropout Voltage <sup>2)</sup><br>V <sub>dr</sub> = V <sub>I</sub> - V <sub>Q</sub> | V <sub>dr</sub>       | –            | 1.1   | 1.15  | V                           | I <sub>Q</sub> = 100 mA  |
|        |  |                       | –            | 1.15  | 1.2   | V                           | I <sub>Q</sub> = 500 mA  |
|        |  |                       | –            | 1.2   | 1.25  | V                           | I <sub>Q</sub> = 1 A   |
| 5.4.29 | Output Current Limitation  | I <sub>Q,max</sub>    | 1.0          | 1.4   | 1.9   | A                           | V <sub>I</sub> - V <sub>Q</sub> = 5 V<br>T <sub>J</sub> = 25 °C  |
| 5.4.30 | Quiescent Current  | I <sub>q</sub>        | –            | 5     | 10    | mA                          | V <sub>I</sub> = 15 V  |
| 5.4.31 | Thermal Regulation   | ΔV <sub>Q,power</sub> | –            | 0.01  | 0.1   | % of V <sub>Q</sub> per 1 W | T <sub>A</sub> = 25 °C<br>30 ms pulse  |
| 5.4.32 | Power Supply Ripple Rejection <sup>3)</sup>  | PSRR                  | 60           | 75    | –     | dB                          | V <sub>I</sub> - V <sub>Q</sub> = 3 V<br>f <sub>ripple</sub> = 120 Hz<br>V <sub>ripple</sub> = 1 V <sub>pp</sub> |
| 5.4.33 | Temperature Stability <sup>3)</sup>  | ΔV <sub>Q,temp</sub>  | –            | 0.5   | –     | % of V <sub>Q</sub>         | –  |
| 5.4.34 | Long Term Stability <sup>3)</sup>  | ΔV <sub>Q,1000h</sub> | –            | 0.3   | –     | % of V <sub>Q</sub>         | T <sub>A</sub> = 125 °C<br>1000h   |
| 5.4.35 | RMS Output Noise <sup>3)</sup>   | V <sub>Q,RMS</sub>    | –            | 0.003 | –     | % of V <sub>Q</sub>         | 10 Hz < f < 10 kHz   |

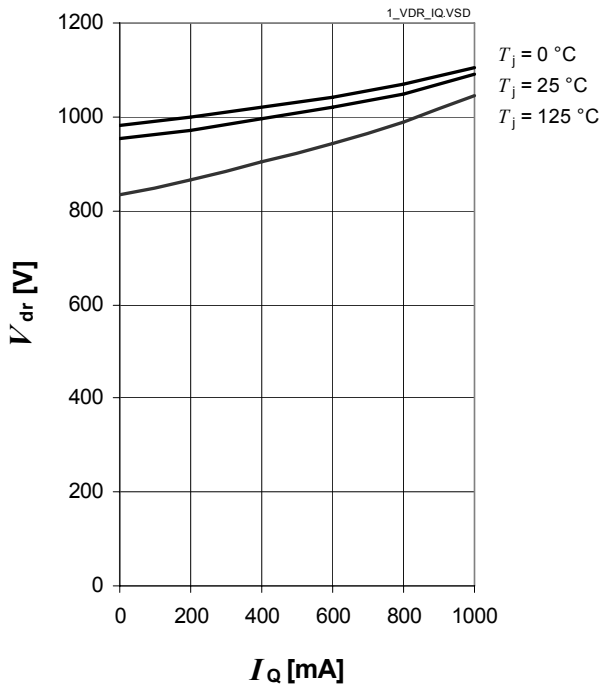
1) Measured at constant junction temperature

2) Measured when the output voltage V<sub>Q</sub> has dropped 100mV from the nominal value obtained at V<sub>I</sub> = V<sub>Q</sub> + 1.5 V

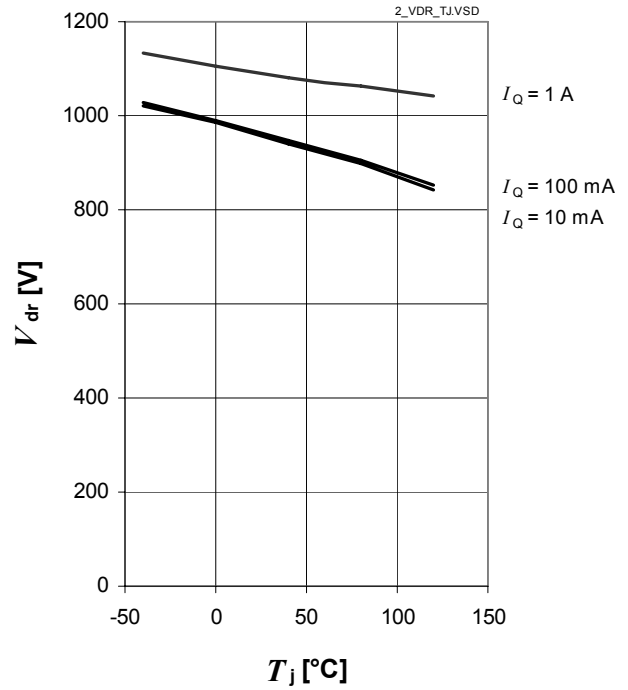
3) Not subject to production test, specified by design

### 5.5 Typical Performance Characteristics

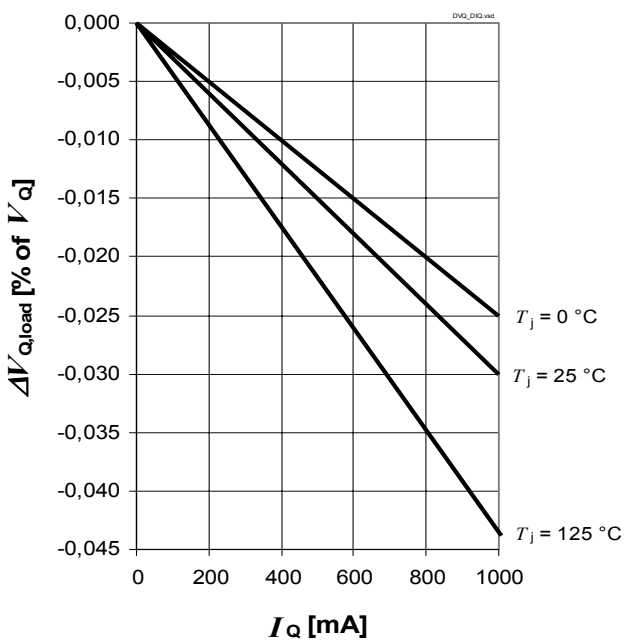
**Dropout Voltage  $V_{dr}$  versus Output Current  $I_Q$**



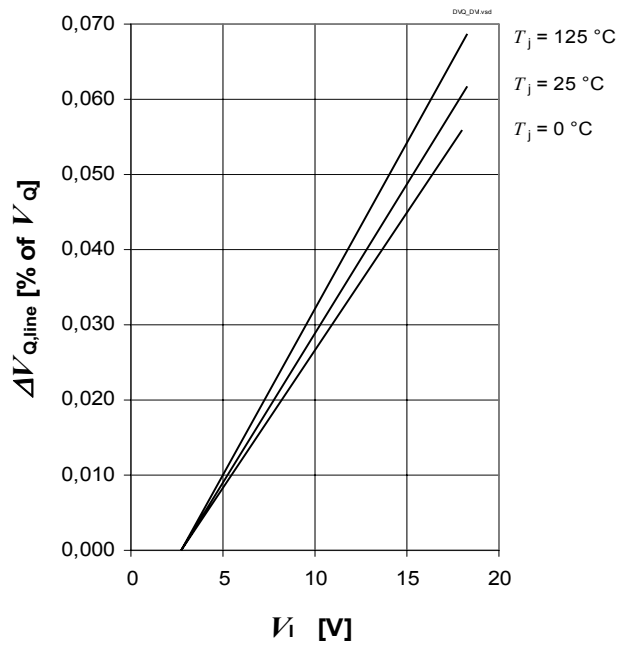
**Dropout Voltage  $V_{dr}$  versus Junction Temperature  $T_j$**



**Load Regulation  $\Delta V_{Q,load}$  versus  $\Delta I_Q$**

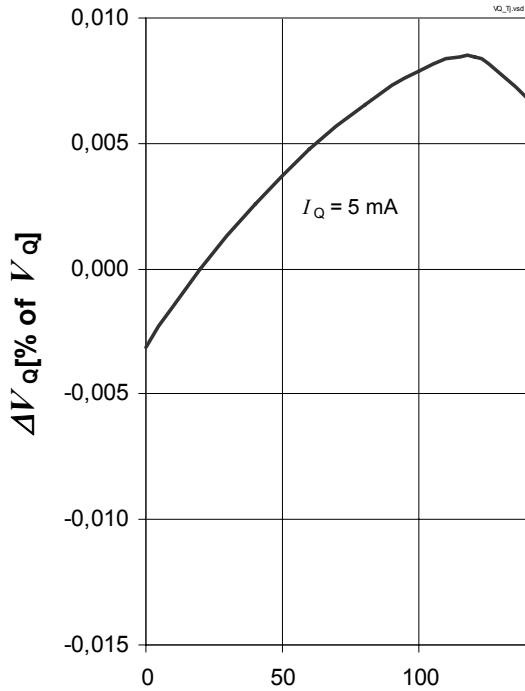


**Line Regulation  $\Delta V_{Q,line}$  versus  $\Delta V_i$**



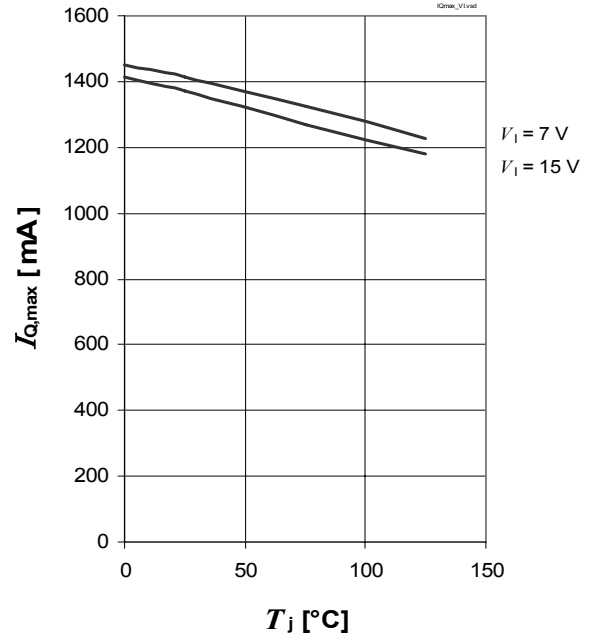
**Temperature Stability**

$\Delta V_Q$  versus  $T_j$



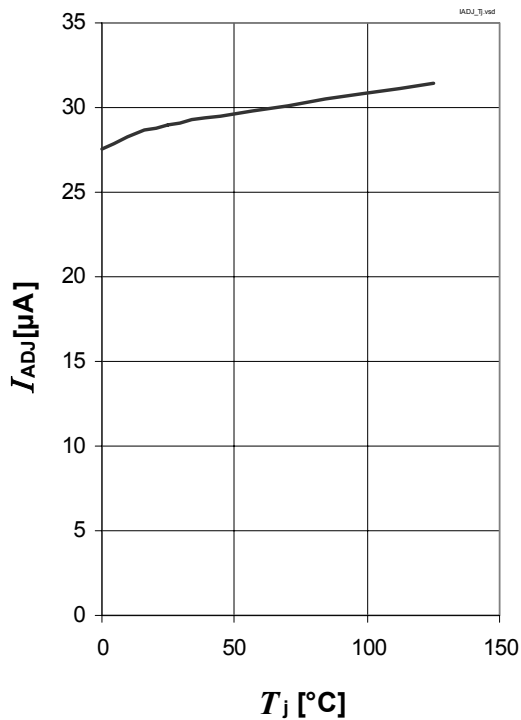
**Current Limit**

$I_{Q,max}$  versus  $V_I$



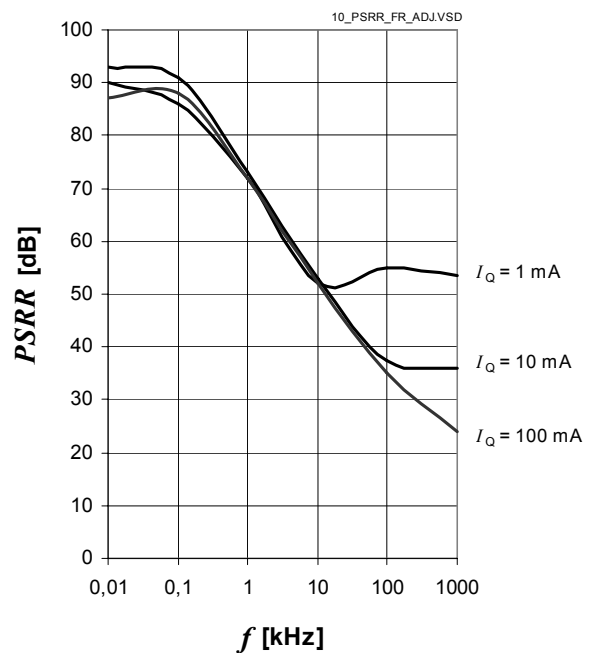
**IFX8117MEV (adjustable) Adjust Pin Current**

$I_{ADJ}$  versus  $T_j$

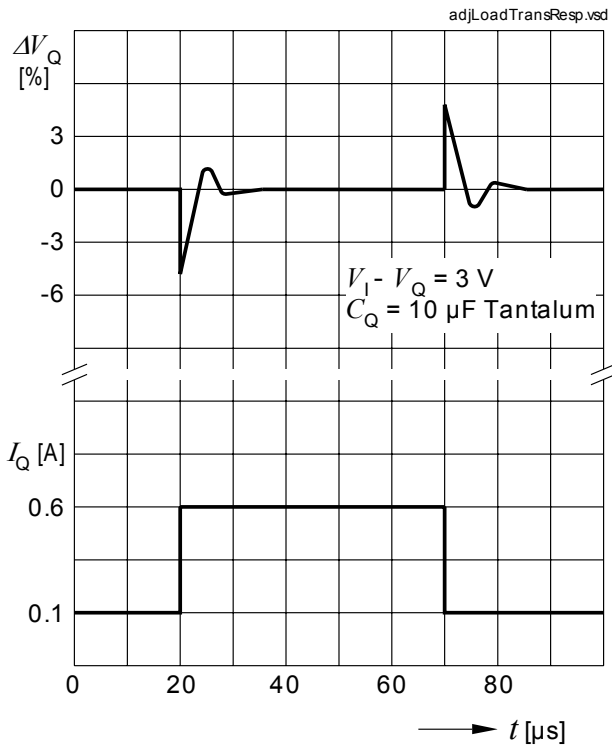


**IFX8117MEV (adj.) Power Supply Ripple Rejection**

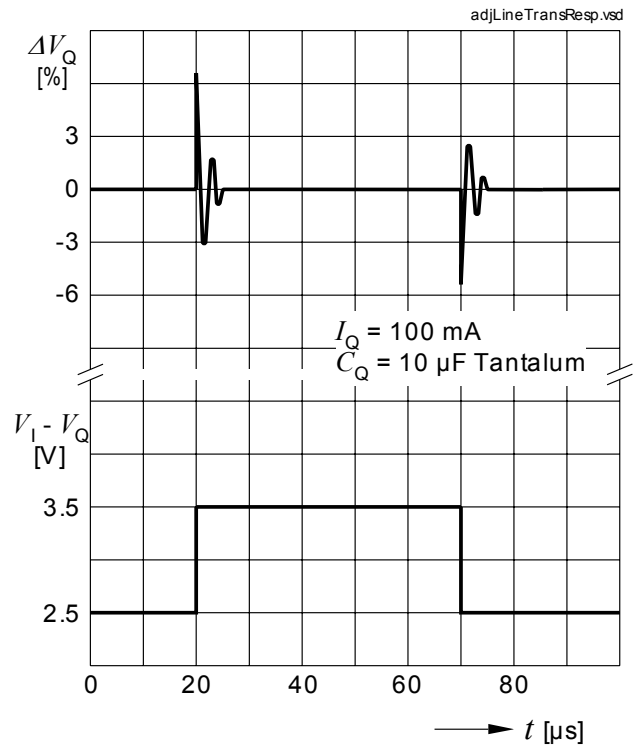
$PSRR$  versus  $f_r$



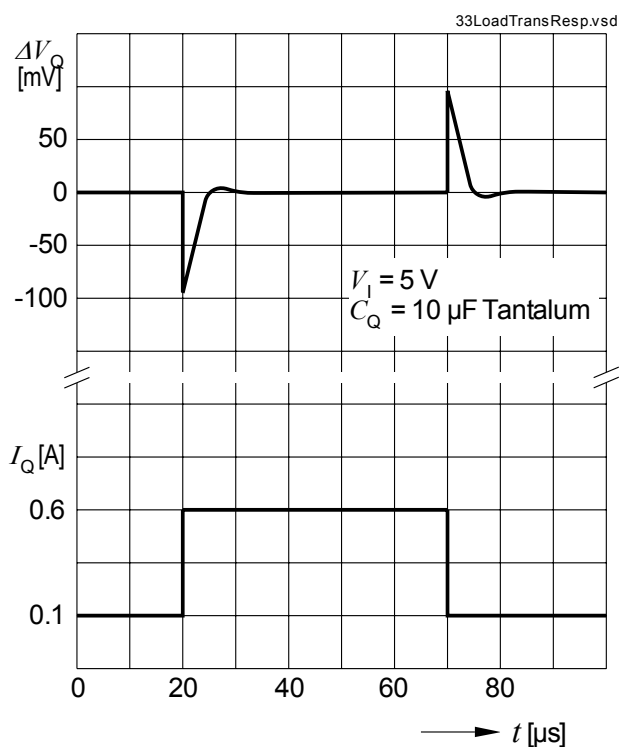
**IFX8117MEV (adj.) Load Transient Response**



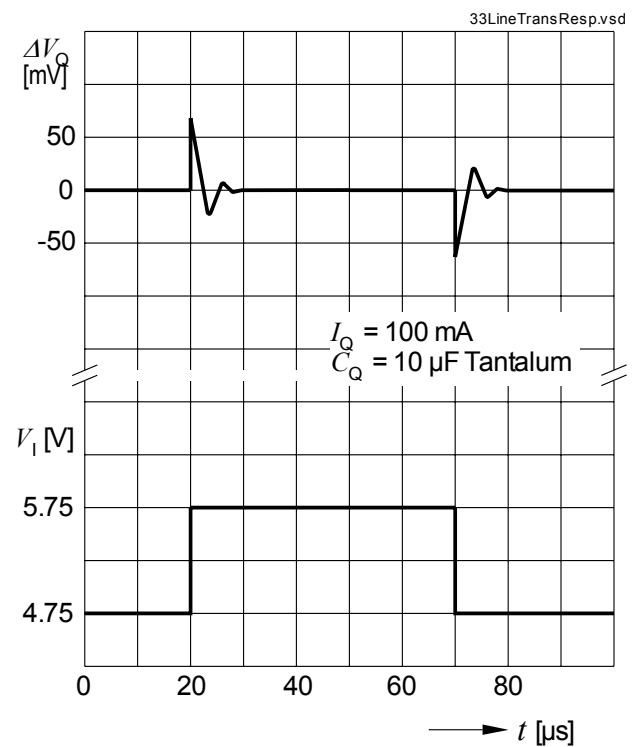
**IFX8117MEV (adj.) Line Transient Response**



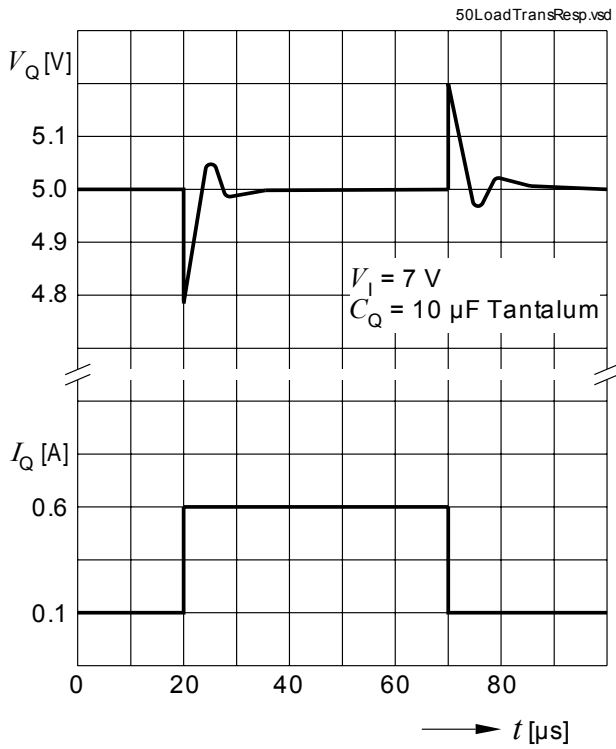
**IFX8117MEV33 (3.3 V) Load Transient Response**



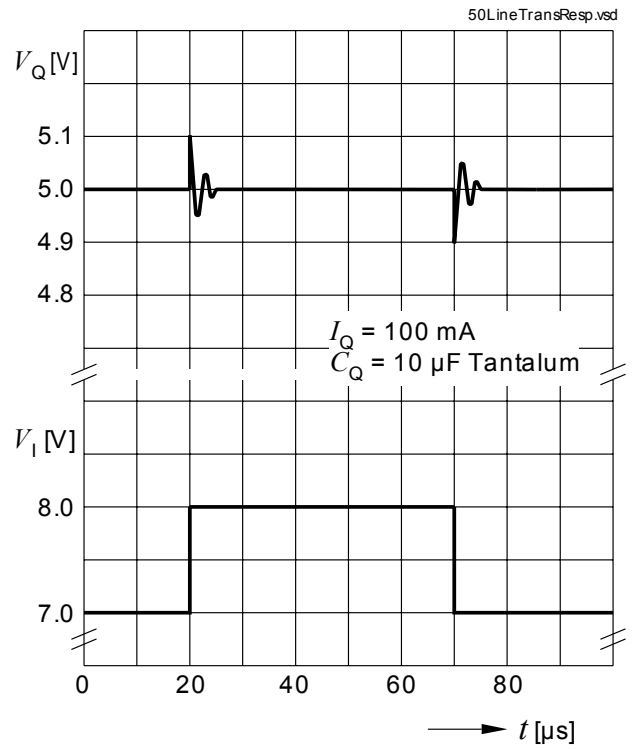
**IFX8117MEV33 (3.3 V) Line Transient Response**



IFX8117MEV50 (5 V) Load Transient Response



IFX8117MEV50 (5 V) Line Transient Response



## 6 Application Hints

### 6.1 External Components

#### Input Capacitor

An input capacitor is recommended to compensate line influences. As a minimum a 100 nF ceramic input capacitor should be used to filter high frequency noise. For buffering line transients a capacitance of 10µF is suggested.

#### Output Capacitor

The output capacitor is part of the regulation loop of the regulator and therefore important to maintain stability. It must meet the required conditions for minimum capacitance value and maximum value of equivalent series resistance (ESR) as given in **“Functional Range” on Page 8**. An increase of the output capacitance will improve the transient response and the loop stability. To achieve low voltage drops at load transients, tantalum capacitors are recommended.

#### External Resistor Divider (Adjustable Version IFX8117MEV only)

The IFX8117MEV adjustable version develops a 1.25 V reference voltage,  $V_{Ref}$ , between the output Q and the adjust terminal ADJ. As shown in **Figure 6**, this voltage is applied across resistor  $R_1$  to generate a constant current  $I_1$ . The current  $I_{ADJ}$  from the adjust terminal could introduce error to the output. But since it is very small (50µA) compared to the  $I_1$  and very constant with line and load changes, the error can be ignored. The constant current  $I_1$  then flows through the output set resistor  $R_2$  and sets the output voltage to the desired level.

At the fixed voltage devices IFX8117MEV33 and IFX8117MEV50 the resistor divider is integrated inside the device.

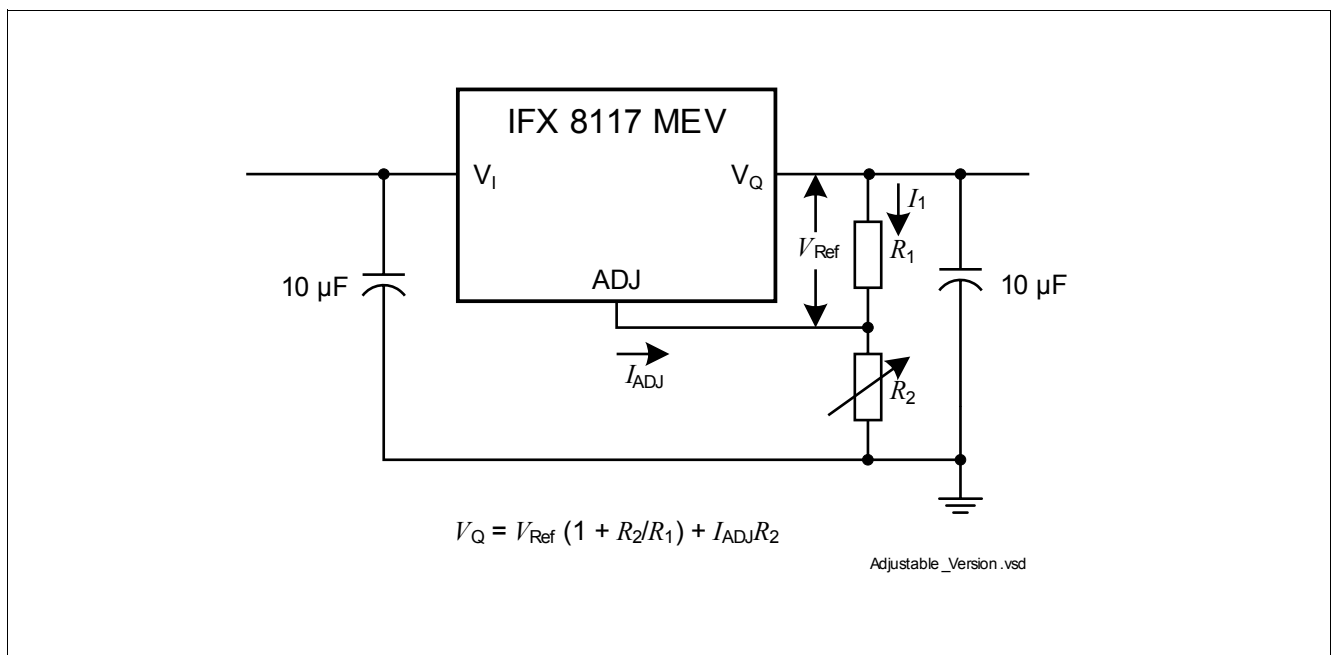
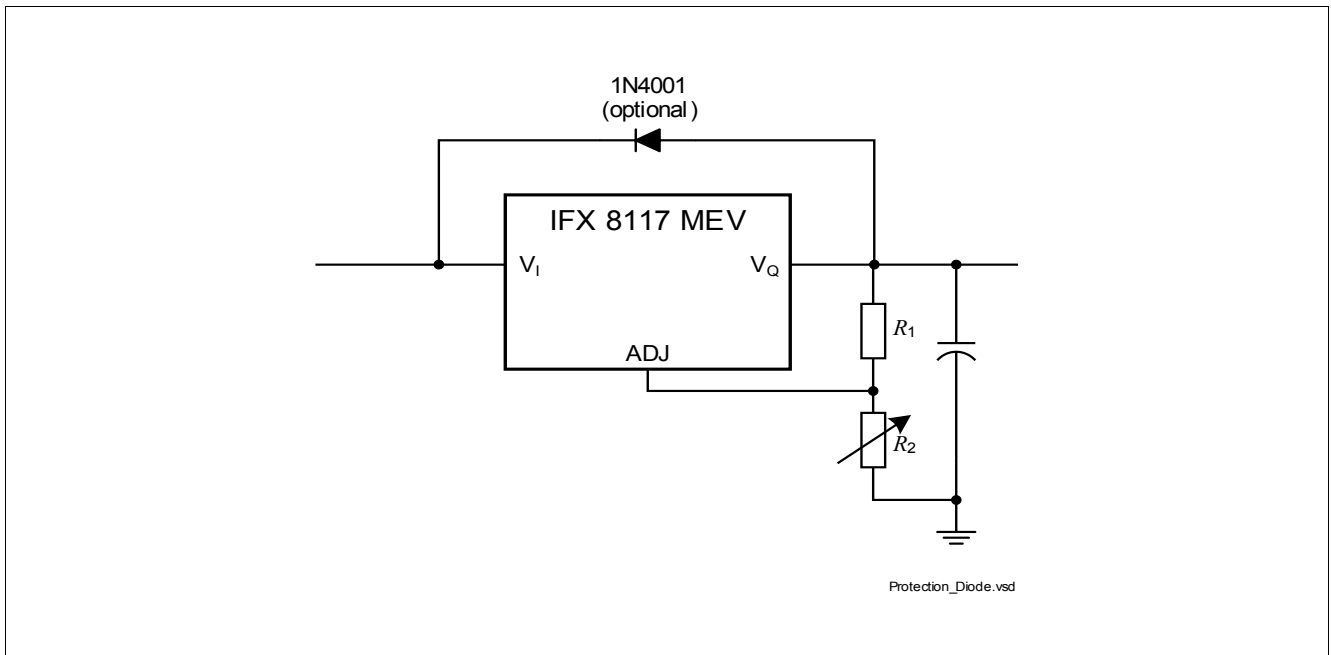


Figure 6 IFX8117MEV Adjustable Version



## 6.2 Protection Diodes



**Figure 7 IFX8117MEV with Protection Diode**

In normal operating conditions, no diodes are needed for protection of the device.

In case the input is shorted to GND and the output capacitor is still charged, a peak current can flow from the output to the input of the regulator. This peak current depends on the size and the equivalent series resistor (ESR) of the output capacitor. When the input is instantaneously shorted to GND, and with a large output capacitor with low ESR, the regulator risks to be damaged. For this environment it is recommended to add an external diode between the output and the input to protect the regulator as shown in [Figure 7](#).

## 7 Package Outlines

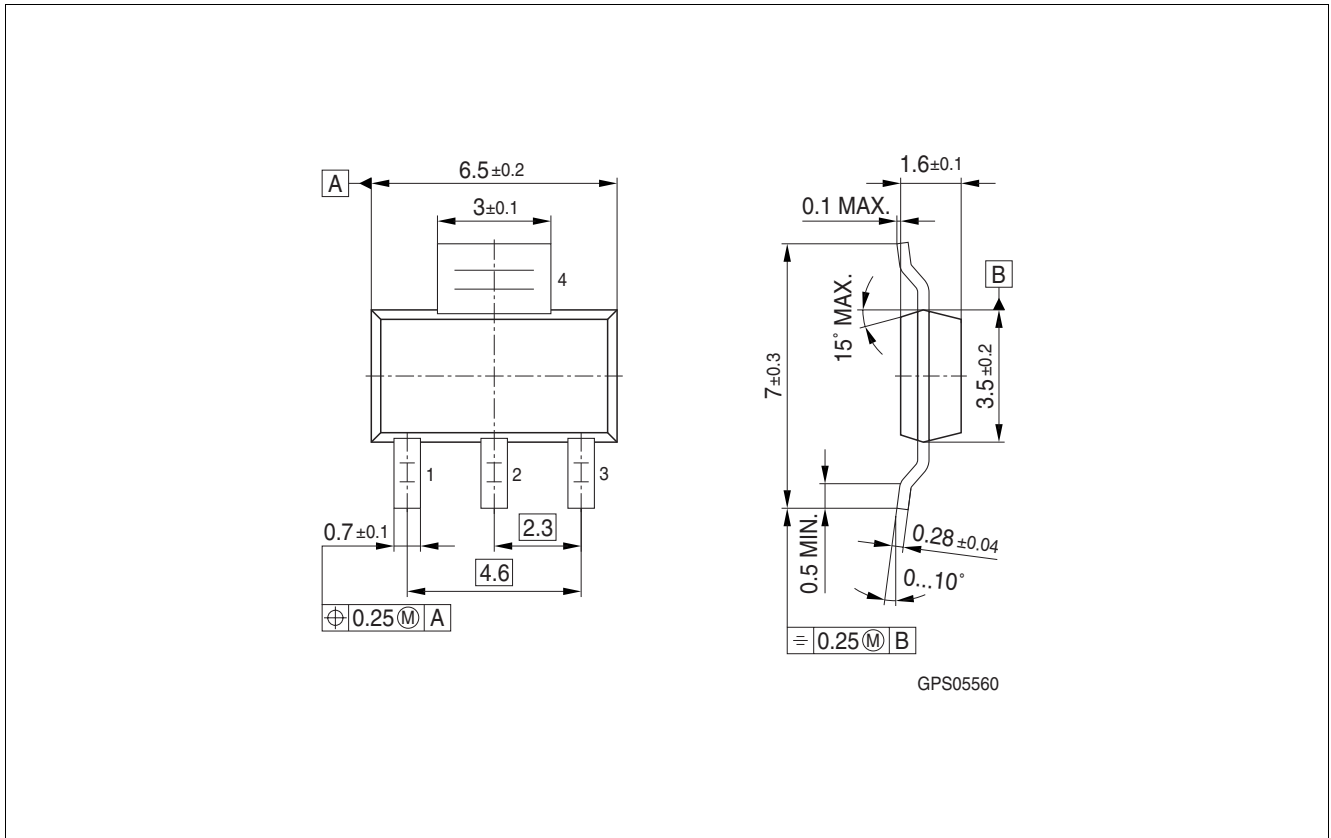


Figure 8 PG-SOT223-4

### Green Product (RoHS compliant)

To meet the world-wide customer requirements for environmentally friendly products and to be compliant with government regulations the device is available as a green product. Green products are RoHS-Compliant (i.e. Pb-free finish on leads and suitable for Pb-free soldering according to IPC/JEDEC J-STD-020).

## 8 Revision History

| Version | Date       | Changes                                   |
|---------|------------|---|
| 1.01    | 2010-07-02 | data sheet Rev. 1.01<br>editorial changes |

**Edition 2010-07-02**

**Published by  
Infineon Technologies AG  
81726 Munich, Germany**

**© 2010 Infineon Technologies AG  
All Rights Reserved.**

### **Legal Disclaimer**

The information given in this document shall in no event be regarded as a guarantee of conditions or characteristics. With respect to any examples or hints given herein, any typical values stated herein and/or any information regarding the application of the device, Infineon Technologies hereby disclaims any and all warranties and liabilities of any kind, including without limitation, warranties of non-infringement of intellectual property rights of any third party.

### **Information**

For further information on technology, delivery terms and conditions and prices, please contact the nearest Infineon Technologies Office ([www.infineon.com](http://www.infineon.com)).

### **Warnings**

Due to technical requirements, components may contain dangerous substances. For information on the types in question, please contact the nearest Infineon Technologies Office.

The Infineon Technologies component described in this Data Sheet may be used in life-support devices or systems and/or automotive, aviation and aerospace applications or systems only with the express written approval of Infineon Technologies, if a failure of such components can reasonably be expected to cause the failure of that life-support automotive, aviation and aerospace device or system or to affect the safety or effectiveness of that device or system. Life support devices or systems are intended to be implanted in the human body or to support and/or maintain and sustain and/or protect human life. If they fail, it is reasonable to assume that the health of the user or other persons may be endangered.

## X-ON Electronics

Largest Supplier of Electrical and Electronic Components

*Click to view similar products for [LDO Voltage Regulators](#) category:*

*Click to view products by [Infineon](#) manufacturer:*

Other Similar products are found below :

[AP7363-SP-13](#) [L79M05TL-E](#) [PT7M8202B12TA5EX](#) [TCR3DF185,LM\(CT](#) [MP2013GQ-33-Z](#) [059985X](#) [NCP4687DH15T1G](#) [701326R](#)  
[TCR2EN28,LF\(S](#) [NCV8170AXV250T2G](#) [TCR2EN18,LF\(S](#) [AP7315-25W5-7](#) [IFX30081LDVGRNXUMA1](#) [NCV47411PAAJR2G](#)  
[AP2113KTR-G1](#) [AP2111H-1.2TRG1](#) [ZLDO1117QK50TC](#) [AZ1117IH-1.8TRG1](#) [TCR3DG12,LF](#) [MIC5514-3.3YMT-T5](#) [MIC5512-1.2YMT-](#)  
[T5](#) [MIC5317-2.8YM5-T5](#) [SCD7912BTG](#) [NCP154MX180270TAG](#) [SCD33269T-5.0G](#) [NCV8170BMX330TCG](#) [NCV8170AMX120TCG](#)  
[NCP706ABMX300TAG](#) [NCP153MX330180TCG](#) [NCP114BMX075TCG](#) [MC33269T-3.5G](#) [CAT6243-ADJCMT5T](#) [TCR3DG33,LF](#)  
[AP2127N-1.0TRG1](#) [TCR4DG35,LF](#) [LT1117CST-3.3](#) [LT1117CST-5](#) [TAR5S15U\(TE85L,F\)](#) [TAR5S18U\(TE85L,F\)](#) [TCR3UG19A,LF](#)  
[TCR4DG105,LF](#) [NCV8170AMX360TCG](#) [MIC94310-NYMT-T5](#) [TLE4268GSXUMA2](#) [NCV8186BMN175TAG](#) [NCP715SQ15T2G](#)  
[MIC5317-3.0YD5-T5](#) [NCV563SQ18T1G](#) [MIC5317-2.8YD5-T5](#) [NCP715MX30TBG](#)