

# CIPOS™ Micro IPM 600V/6A

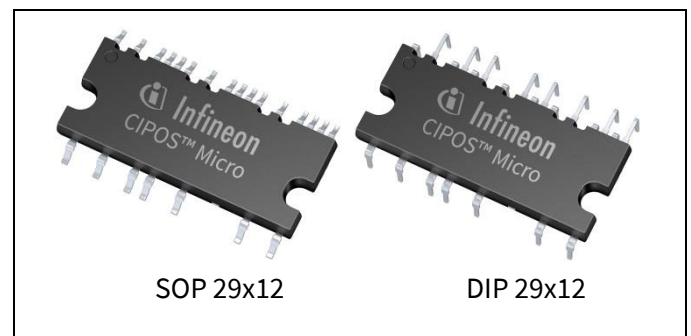
## IM231-L6S1B / IM231-L6T2B

### Description

IM231-L6-series 3-phase Intelligent Power Modules (IPM) are designed for high-efficiency appliance motor drives such as air-conditioner fans and refrigerator compressors. These advanced IPMs, available in both surface mount and through-hole configurations, offer a combination of low  $V_{CE(sat)}$  TRENCHSTOP™ IGBT6 technology and the industry benchmark rugged half-bridge drivers. The IPMs have several protection features including precise overcurrent protection and temperature feedback.

### Features

- 600V 3-phase inverter including gate drivers & bootstrap function
- Low  $V_{CE(sat)}$  TRENCHSTOP™ IGBT6
- Temperature monitor
- Accurate overcurrent shutdown ( $\pm 5\%$ )
- Fault reporting and programmable fault clear
- Advanced input filter with shoot-through protection
- Optimized  $dV/dt$  for loss and EMI trade offs
- Open-emitter for single and leg-shunt current sensing
- 3.3V logic compatible
- Isolation 2000VRMS, 1min



### Potential Applications

- Air-conditioner fans
- Refrigerator compressors
- Ventilation fans & blower fans
- Low power motor drives

### Product validation

Qualified for industrial applications according to the relevant tests of JEDEC47/20/22.

**Table 1** Part Ordering Table

Base Part Number	Package Type	Standard Pack		Orderable Part Number
		Form	Quantity	
IM231-L6T2B	DIP 29x12	Tube	240	IM231L6T2BAKMA1
IM231-L6S1B	SOP 29x12	Tube	240	IM231L6S1BALMA1
IM231-L6S1B	SOP 29x12	Tape & Reel	500	IM231L6S1BAUMA1

Table of contents

## Table of contents

### Description1

#### Features 1

<b>Potential Applications</b> .....	<b>1</b>
<b>Product validation</b> .....	<b>1</b>
<b>Table of contents</b> .....	<b>2</b>
<b>1 Internal Electrical Schematic</b> .....	<b>3</b>
<b>2 Pin Configuration</b> .....	<b>4</b>
2.1 Pin Assignment.....	4
2.2 Pin Descriptions.....	5
<b>3 Absolute Maximum Rating</b> .....	<b>7</b>
3.1 Module .....	7
3.2 Inverter .....	7
3.3 Control.....	7
<b>4 Thermal Characteristics</b> .....	<b>8</b>
<b>5 Recommended Operating Conditions</b> .....	<b>9</b>
<b>6 Static Parameters</b> .....	<b>10</b>
6.1 Inverter .....	10
6.2 Control.....	10
<b>7 Dynamic Parameters</b> .....	<b>12</b>
7.1 Inverter .....	12
7.2 Control.....	12
<b>8 Thermistor Characteristics</b> .....	<b>13</b>
<b>9 Mechanical Characteristics and Ratings</b> .....	<b>14</b>
<b>10 Qualification Information</b> .....	<b>15</b>
<b>11 Diagrams &amp; Tables</b> .....	<b>16</b>
11.1 T <sub>C</sub> Measurement Point.....	16
11.2 Backside Curvature Measurement Points .....	16
11.3 Input-Output Logic Table.....	17
11.4 Switching Time Definitions .....	18
<b>12 Application Guide</b> .....	<b>19</b>
12.1 Typical Application Schematic .....	19
12.2 T <sub>J</sub> vs T <sub>TH</sub> .....	19
12.3 -V <sub>S</sub> Immunity .....	20
<b>13 Package Outline</b> .....	<b>21</b>
13.1 DIP 29x12 .....	21
13.2 SOP 29x12.....	22
<b>14 Revision History</b> .....	<b>23</b>

# 1 Internal Electrical Schematic

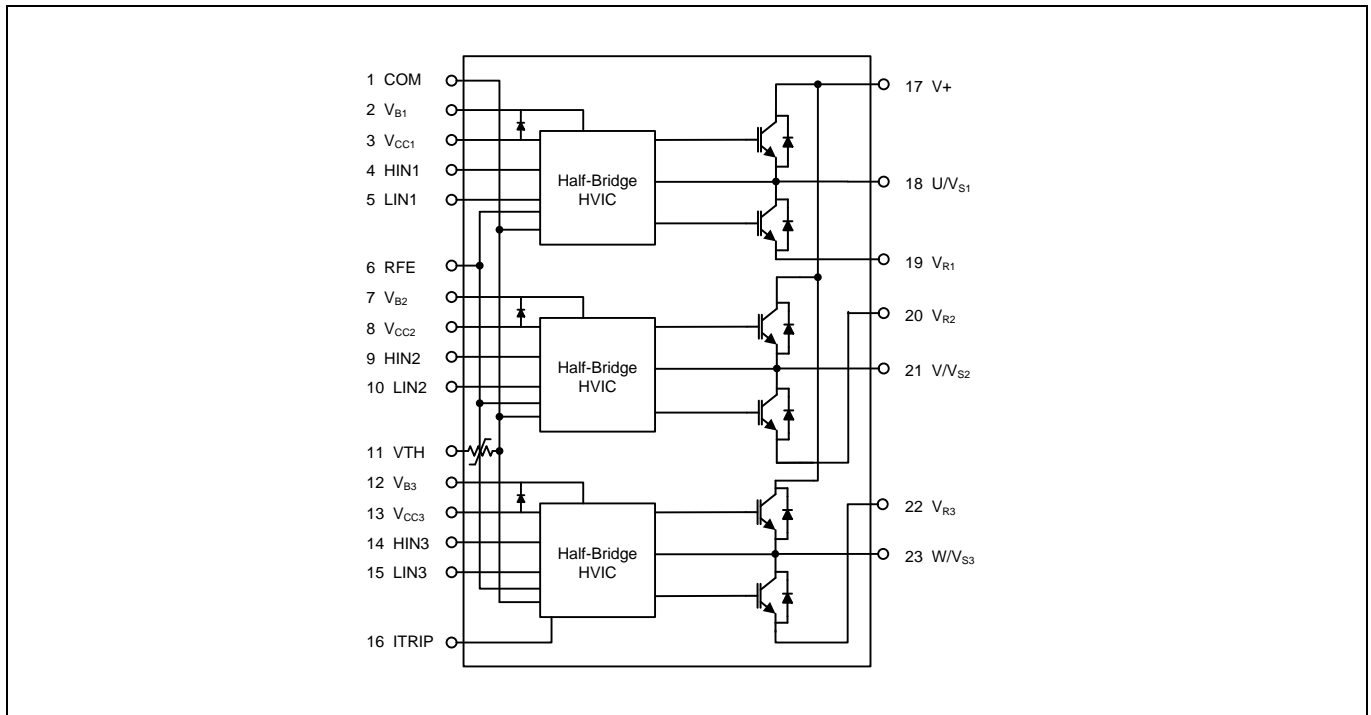


Figure 1 Internal electrical schematic.

## 2 Pin Configuration

### 2.1 Pin Assignment

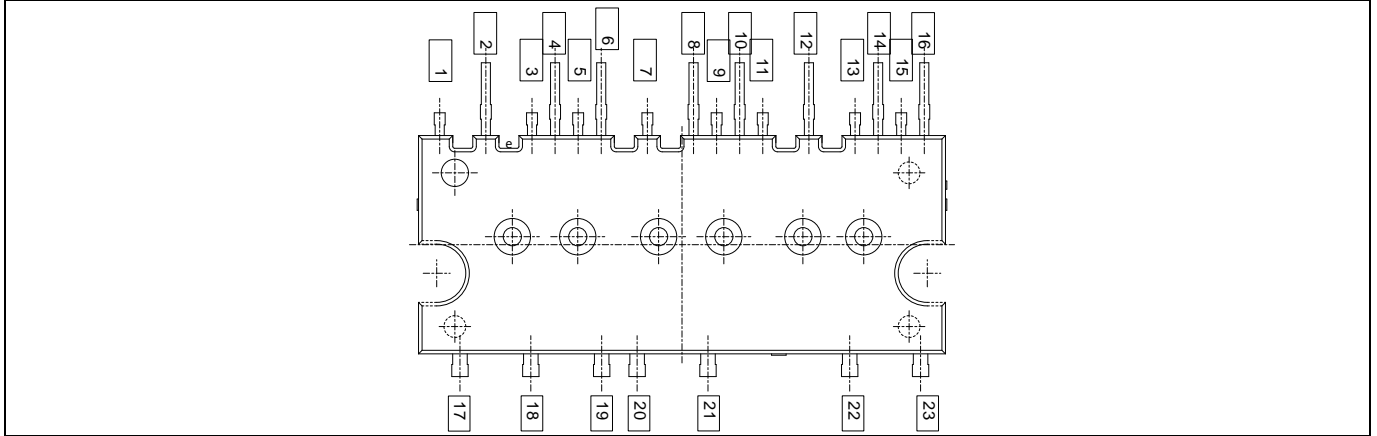


Figure 2 Module pinout

Table 2 Pin Assignment

Pin	Name	Description
1	COM	Logic ground
2	V <sub>B1</sub>	High side floating supply voltage 1
3	V <sub>DD1</sub>	Low side control supply 1
4	HIN1	Logic Input for high side gate driver - Phase 1
5	LIN1	Logic Input for low side gate driver - Phase 1
6	RFE	RCIN / Fault / Enable
7	V <sub>B2</sub>	High side floating supply voltage 2
8	V <sub>DD2</sub>	Low side control supply 2
9	HIN2	Logic input for high side gate driver - Phase 2
10	LIN2	Logic input for low side gate driver - Phase 2
11	VTH	Thermistor output
12	V <sub>B3</sub>	High side floating supply voltage 3
13	V <sub>DD3</sub>	Low side control supply 3
14	HIN3	Logic Input for high side gate driver - Phase 3
15	LIN3	Logic Input for low side gate driver - Phase 3
16	ITRIP	Current protection pin
17	V+	Dc bus voltage positive
18	U/V <sub>S1</sub>	Output - phase 1, high side floating supply offset 1
19	V <sub>R1</sub>	Phase 1 low side emitter
20	V <sub>R2</sub>	Phase 2 low side emitter
21	V/V <sub>S2</sub>	Output - phase 2, high side floating supply offset 2
22	V <sub>R3</sub>	Phase 3 low side emitter
23	W/V <sub>S3</sub>	Output - phase 3, high side floating supply offset 3

## 2.2 Pin Descriptions

### HIN(1,2,3) and LIN(1,2,3) (Low side and high side control pins)

These pins are positive logic and they are responsible for the control of the integrated IGBT. The Schmitt-trigger input thresholds of them are such to guarantee LSTTL and CMOS compatibility down to 3.3V controller outputs. Pull-down resistor of about 800kΩ is internally provided to pre-bias inputs during supply start-up and an ESD diode is provided for pin protection purposes. Input Schmitt-trigger and noise filter provide beneficial noise rejection to short input pulses.

The noise filter suppresses control pulses which are below the filter time  $T_{FILIN}$ . The filter acts according to Figure 4.

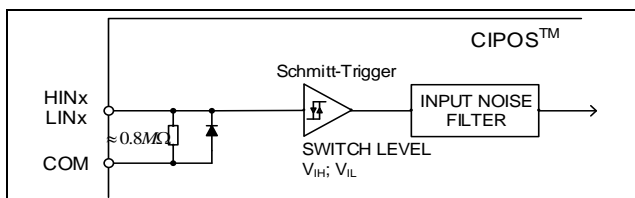


Figure 3 Input pin structure

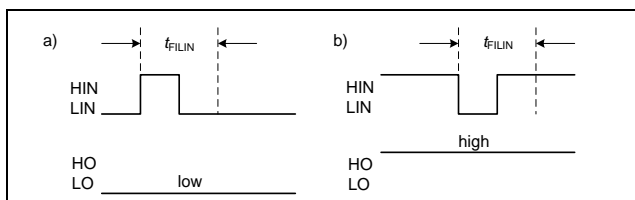


Figure 4 Input filter timing diagram

The integrated gate drive provides additionally a shoot through prevention capability which avoids the simultaneous on-state of the high-side and low-side switch of the same inverter phase. A minimum deadtime insertion of typically 300ns is also provided by driver IC, in order to reduce cross-conduction of the external power switches.

### V<sub>DD</sub>, COM (Low side control supply and reference)

V<sub>DD</sub> is the control supply and it provides power both to input logic and to the output power stage. Input logic is referenced to COM ground.

The under-voltage circuit enables the device to operate at power on when a supply voltage of at least a typical voltage of V<sub>DDUV+</sub> = 11.1V is present.

The IC shuts down all the gate drivers power outputs, when the V<sub>DD</sub> supply voltage is below V<sub>DDUV-</sub> = 10.9V. This prevents the external power switches from critically low gate voltage levels during on-state and therefore from excessive power dissipation.

### V<sub>B(1,2,3)</sub> and V<sub>S(1,2,3)</sub> (High side supplies)

V<sub>B</sub> to V<sub>S</sub> is the high side supply voltage. The high side circuit can float with respect to COM following the external high side power device emitter voltage.

Due to the low power consumption, the floating driver stage is supplied by integrated bootstrap circuit.

The under-voltage detection operates with a rising supply threshold of typical V<sub>BSUV+</sub> = 11.1V and a falling threshold of V<sub>BSUV-</sub> = 10.9V.

V<sub>S(1,2,3)</sub> provide a high robustness against negative voltage in respect of COM. This ensures very stable designs even under rough conditions.

### V<sub>R(1,2,3)</sub> (Low side emitters)

The low side emitters are available for current measurements of each phase leg. It is recommended to keep the connection to pin COM as short as possible in order to avoid unnecessary inductive voltage drops.

### VTH (Thermistor output)

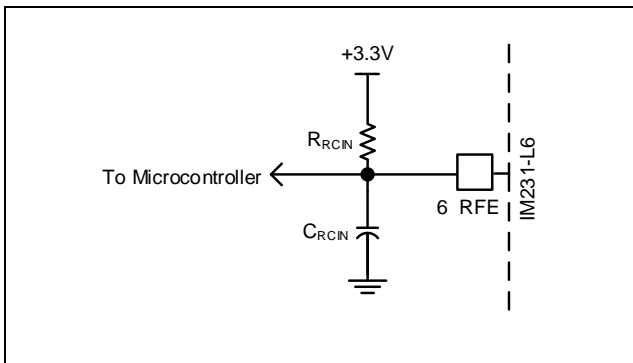
A UL certified NTC resistor is integrated in the module with one terminal of the chip connected to COM and the other to VTH. When pulled up to a rail voltage such as V<sub>DD</sub> or 3.3V by a resistor, the VTH pin provides an analog voltage signal corresponding to the temperature of the thermistor.

### RFE (RCIN / Fault / Enable)

The RFE pin combines 3 functions in one pin: RCIN or RC-network based programmable fault clear timer, fault output and enable input.

The RFE pin is normally connected to an RC network on the PCB per the schematic in Figure 5. Under normal operating conditions, R<sub>RCIN</sub> pulls the RFE pin to 3.3V, thus enabling all the functions in the IPM. The microcontroller can pull this pin low to disable the IPM functionality. This is the Enable function.

Pin Configuration



**Figure 5** Typical PCB circuit connected to the RFE pin

The Fault function allows the IPM to report a Fault condition to the microcontroller by pulling the RFE pin low in one of two situations. The first is an under-voltage condition on V<sub>DD</sub> and the second is when the ITRIP pin sees a voltage rising above V<sub>IT,TH+</sub>.

The programmable fault clear timer function provides a means of automatically re-enabling the module operation a preset amount of time (T<sub>FLT-CLR</sub>) after the fault condition has disappeared. Figure 6 shows the RFE-related circuit block diagram inside the IPM.

The length of TFLT-CLR can be determined by using the formula below.

$$V_{RFE}(t) = 3.3V * (1 - e^{-t/RC})$$

$$T_{FLT-CLR} = -R_{RCIN} * C_{RCIN} * \ln(1 - V_{IN,TH+}/3.3V)$$

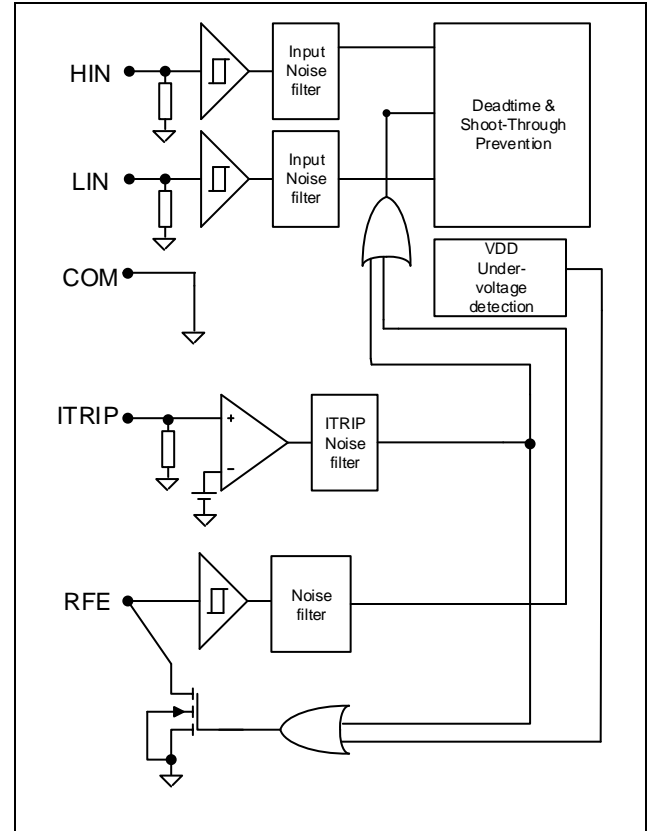
For example, if R<sub>RCIN</sub> is 1.2MΩ and C<sub>RCIN</sub> is 1nF, the T<sub>FLT-CLR</sub> is about 1.7ms with V<sub>IN,TH+</sub> of 2.5V. It is also important to note that C<sub>RCIN</sub> needs to be minimized in order to make sure it is fully discharged in case of over current event.

Since the ITRIP pin has a 500ns input filter, it is appropriate to ensure that C<sub>RCIN</sub> will be discharged below V<sub>IN,TH-</sub> by the open-drain MOSFET, after 350ns. Therefore, the max C<sub>RCIN</sub> can be calculated as:

$$V_{RFE}(t) = 3.3V * e^{-t/RC} < V_{IN,TH-}$$

$$C_{RCIN} < 500ns / (- \ln(V_{IN,TH-} / 3.3V) * R_{RFE\_ON})$$

Consider V<sub>IN,TH-</sub> of 0.8V and R<sub>RFE\_ON</sub> of 50ohm, C<sub>RCIN</sub> should be less than 7nF. It is also suggested to use a R<sub>RCIN</sub> of between 0.5MΩ and 2MΩ.



**Figure 6** RFE internal circuit structure

**U/V<sub>S1</sub>, V/V<sub>S2</sub>, W/V<sub>S3</sub> (High side emitter and low side collector)**

These pins are motor U, V, W input pins.

**V+ (Positive bus input voltage, Pin 23)**

The high side IGBTs are connected to the bus voltage. It is noted that the bus voltage should not exceed 450V.

Absolute Maximum Rating

### 3 Absolute Maximum Rating

#### 3.1 Module

Table 3

Parameter	Symbol	Condition		Units
Storage temperature	$T_{STG}$		-40 ~ 150	°C
Operating case temperature	$T_C$		-40 ~ 125	°C
Operating junction temperature	$T_J$		-40 ~ 150	°C
Isolation test voltage	$V_{ISO}$	1min, RMS, f = 60Hz	2000	V

#### 3.2 Inverter

Table 4

Parameter	Symbol	Condition		Units
Max. blocking voltage	$V_{CES}/V_{RRM}$		600	V
Output current	$I_O$	$T_C = 25^\circ\text{C}$	6	A
Peak output current	$I_{OP}$	$T_C = 25^\circ\text{C}, t_p < 1\text{ms}$	9	A
Peak power dissipation per IGBT	$P_{tot}$	$T_C = 25^\circ\text{C}$	10.5	W
Short circuit withstand time	$T_{SC}$	$V_{DC} = 360\text{V}, T_J = 150^\circ\text{C}, V_{DD} = 15\text{V}$ Allowed number of short circuits: <1000, time between short circuits: >1s	3	µs

#### 3.3 Control

Table 5

Parameter	Symbol	Condition		Units
Low side control supply voltage	$V_{DD}$		-0.3 ~ 20	V
Input voltage	$V_{IN}$	LIN, HIN, ITRIP, RFE	-0.3 ~ $V_{DD}$	V
High side floating supply voltage ( $V_B$ reference to $V_S$ )	$V_{BS}$		-0.3 ~ 20	V

## 4 Thermal Characteristics

**Table 6**

Parameter	Symbol	Conditions	Min.	Typ.	Max.	Units
Junction-case thermal resistance, all IGBTs operating (per module)	$R_{TH(J-C)_M}$		-	2.4	2.8	°C/W
Junction-case thermal resistance, all diodes operating (per module)	$R_{TH(J-C)_D_M}$		-	2.5	2.9	°C/W
Single IGBT thermal resistance, junction-case	$R_{TH(J-C)}$	High side V-phase IGBT	-	8.4	9.6	°C/W
Single diode thermal resistance, junction-case	$R_{TH(J-C)_D}$	High side V-phase diode	-	9.3	10.8	°C/W



## 5 Recommended Operating Conditions

**Table 7**

Parameter	Symbol	Min.	Typ.	Max.	Units
Positive DC bus input voltage	V+	-	-	450	V
Low side control supply voltage	V <sub>DD</sub>	13.5	-	16.5	V
High side floating supply voltage	V <sub>BS</sub>	12.5	-	17.5	V
Input voltage (LIN,HIN,ITRIP,RFE)	V <sub>IN</sub>	0	-	5	V
PWM carrier frequency	F <sub>PWM</sub>	-	20	-	kHz
External dead time between HIN & LIN	DT	1	-	-	μs
Voltage between COM and V <sub>R(1,2,3)</sub>	V <sub>COMR</sub>	-5	-	5	V
Minimum input pulse width	PW <sub>IN(ON)</sub> , PW <sub>IN(OFF)</sub>	1	-	-	μs

## 6 Static Parameters

### 6.1 Inverter

$(V_{DD-COM}) = (V_B - V_S) = 15\text{ V}$ .  $T_C = 25^\circ\text{C}$  unless otherwise specified.

**Table 8**

Parameter	Symbol	Conditions	Min.	Typ.	Max.	Units
Collector-to-emitter saturation voltage	$V_{CE(sat)}$	$I_C = 1\text{ A}$	-	1.2	-	V
		$I_C = 3\text{ A}$	-	1.65	2.0	V
		$I_C = 3\text{ A}, T_J = 150^\circ\text{C}$	-	1.8	-	V
Collector emitter leakage current	$I_{CES}$	$V_{IN} = 0\text{ V}, V_+ = 600\text{ V}$	-	-	80	$\mu\text{A}$
		$V_{IN} = 0\text{ V}, V_+ = 600\text{ V}, T_J = 150^\circ\text{C}$	-	24	-	$\mu\text{A}$
Diode forward voltage	$V_F$	$I_C = 1\text{ A}$	-	1.2	-	V
		$I_C = 3\text{ A}$	-	1.6	2.0	V
		$I_C = 3\text{ A}, T_J = 150^\circ\text{C}$	-	1.5	-	V

### 6.2 Control

$(V_{DD-COM}) = (V_B - V_S) = 15\text{ V}$ .  $T_C = 25^\circ\text{C}$  unless otherwise specified. The  $V_{IN}$  and  $I_{IN}$  parameters are referenced to COM and are applicable to all six channels. The  $V_{DDUV}$  parameters are referenced to COM. The  $V_{BSUV}$  parameters are referenced to VS.

**Table 9**

Parameter	Symbol	Min.	Typ.	Max.	Units
Logic "1" input voltage (LIN, HIN)	$V_{IN,TH+}$	2.2	-	-	V
Logic "0" input voltage (LIN, HIN)	$V_{IN,TH-}$	-	-	0.8	V
$V_{DD}/V_{BS}$ supply undervoltage, positive going threshold	$V_{DD,UV+}, V_{BS,UV+}$	9.6	10.4	11.2	V
$V_{DD}/V_{BS}$ supply undervoltage, negative going threshold	$V_{DD,UV-}, V_{BS,UV-}$	8.6	9.4	10.2	V
$V_{DD}/V_{BS}$ supply undervoltage lock-out hysteresis	$V_{DDUVH}, V_{BSUVH}$	-	1.0	-	V
RFE positive going threshold	$V_{RFE+}$	-	1.9	2.2	V
RFE negative going threshold	$V_{RFE-}$	0.8	1.1	-	V
ITRIP positive going threshold	$V_{IT,TH+}$	0.475	0.500	0.525	V
ITRIP negative going threshold	$V_{IT,TH-}$	-	0.430	-	V
ITRIP input hysteresis	$V_{IT,HYS}$	-	0.07	-	V
Quiescent $V_{BS}$ supply current	$I_{QBS}$	-	-	70	$\mu\text{A}$
Quiescent $V_{DD}$ supply current per channel	$I_{QDD}$	-	-	2.6	mA
Input bias current $V_{IN}=5\text{ V}$ for LIN, HIN	$I_{IN+}$	-	6.25	12.5	$\mu\text{A}$
Input bias current $V_{IN}=5\text{ V}$ for RFE	$I_{IN,RFE+}$	-	-	1	$\mu\text{A}$

Static Parameters

<b>Parameter</b>	<b>Symbol</b>	<b>Min.</b>	<b>Typ.</b>	<b>Max.</b>	<b>Units</b>
Input bias current $V_{IN}=5V$ for ITRIP	$I_{ITRIP+}$	-	5	20	$\mu A$
Bootstrap resistance	$R_{BS}$	-	200	-	$\Omega$
RFE low on resistance	$R_{RFE}$	-	34	60	$\Omega$

## 7 Dynamic Parameters

### 7.1 Inverter

( $V_{DD-COM}$ ) = ( $V_B - V_S$ ) = 15 V.  $T_C = 25^\circ\text{C}$  unless otherwise specified.

**Table 10**

Parameter	Symbol	Conditions	Min.	Typ.	Max.	Units
Input to output turn-on propagation delay	$T_{ON}$	$I_C = 3A, V_+ = 300V$	-	641	-	ns
Turn-on rise time	$T_R$		-	37	-	ns
Turn-on switching time	$T_{C(on)}$		-	135	-	ns
Input to output turn-off propagation delay	$T_{OFF}$	$I_C = 3A, V_+ = 300V$	-	895	-	ns
Turn-off fall time	$T_F$		-	80	-	ns
Turn-off switching time	$T_{C(off)}$		-	82	-	ns
RFE low to six switch turn-off propagation delay	$T_{EN}$	$V_{IN}=0$ or $V_{IN}=5V$ , $V_{RFE}=5V$	-	520	-	ns
ITRIP to six switch turn-off propagation delay	$T_{ITRIP}$	$V_+ = 300V$ , no cap on RFE	-	1.3	-	$\mu\text{s}$
Turn-on switching energy	$E_{ON}$	$I_C = 3A, V_+ = 300V$ , $V_{DD} = 15V, L = 5mH$	-	86	-	$\mu\text{J}$
Turn-off switching energy	$E_{OFF}$		-	31	-	
Diode reverse recovery energy	$E_{REC}$		-	20	-	
Diode reverse recovery time	$T_{RR}$		-	153	-	ns
Turn-on switching energy	$E_{ON}$	$I_C = 3A, V_+ = 300V$ , $V_{DD} = 15V, L = 5mH$ $T_J = 150^\circ\text{C}$	-	129	-	$\mu\text{J}$
Turn-off switching energy	$E_{OFF}$		-	50	-	
Diode reverse recovery energy	$E_{REC}$		-	51	-	
Diode reverse recovery time	$T_{RR}$		-	211	-	ns

### 7.2 Control

( $V_{DD-COM}$ ) = ( $V_B - V_S$ ) = 15V.  $T_C = 25^\circ\text{C}$  unless otherwise specified.

**Table 11**

Parameter	Symbol	Conditions	Min.	Typ.	Max.	Units
Input filter time (HIN, LIN)	$T_{FIL,IN}$	$V_{IN} = 0$ or $V_{IN} = 5V$	-	300	-	ns
Input filter time (ITRIP)	$T_{FIL,ITRIP}$	$V_{IN} = 0$ or $V_{IN} = 5V$	-	500	-	ns
Internal dead time	$DT_{IC}$	$V_{IN} = 0$ or $V_{IN} = 5V$	-	300	-	ns
Matching propagation delay time (on and off) for same phase high-side and low-side	$M_T$	External dead time > 500ns	-	-	50	ns

## 8 Thermistor Characteristics

Table 12

Parameter	Symbol	Conditions	Min.	Typ.	Max.	Units
Resistance	$R_{25}$	$T_C = 25^\circ\text{C}$ , $\pm 5\%$ tolerance	44.65	47	49.35	$\text{k}\Omega$
Resistance	$R_{125}$	$T_C = 125^\circ\text{C}$	1.27	1.39	1.51	$\text{k}\Omega$
B-constant (25/100)	B	$\pm 1\%$ tolerance	-	4006	-	K
Temperature Range			-20	-	150	$^\circ\text{C}$

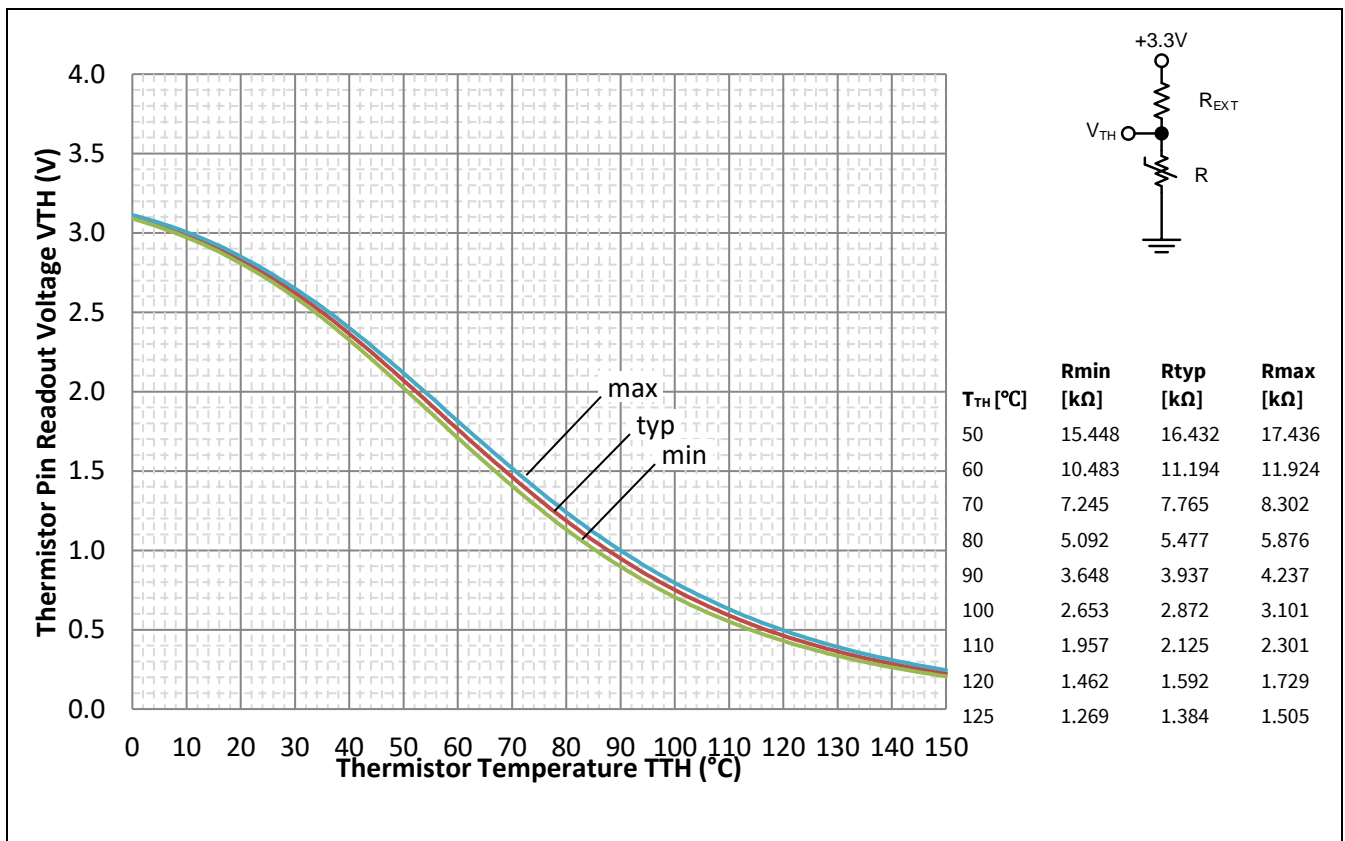


Figure 7 Thermistor resistance - temperature curve, for  $R_{EXT}=9.76\text{k}\Omega$ , and thermistor resistance variation with temperature.

## 9 Mechanical Characteristics and Ratings

**Table 13**

Parameter	Symbol	Conditions	Min.	Typ.	Max.	Units
Comparative Tracking Index	CTI		550	-	-	V
Curvature of module backside	BC	See Figure 9	-50	-	50	μm
Mounting Torque	T	M3 screw & washer, thermal grease	0.4	0.8	1.2	Nm
		M3 screw & washer, SIL-PAD 1500ST	-	0.6	1.0	Nm
Weight	W		-	3.0	-	g

## 10 Qualification Information

**Table 14**

<b>UL Certification</b>	<b>File number E252584</b>
<b>Moisture sensitivity level (SOP 29 x 12 only)</b>	MSL3
<b>RoHS Compliant</b>	Yes

## 11 Diagrams & Tables

### 11.1 T<sub>c</sub> Measurement Point

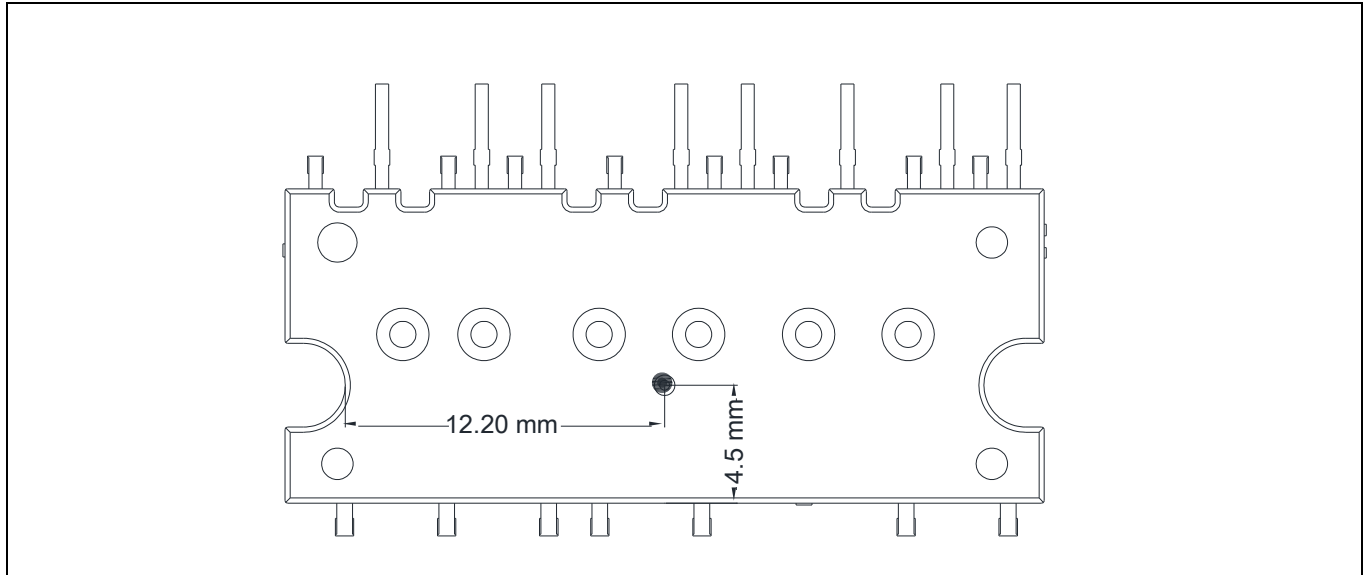


Figure 8 T<sub>c</sub> measurement point

### 11.2 Backside Curvature Measurement Points

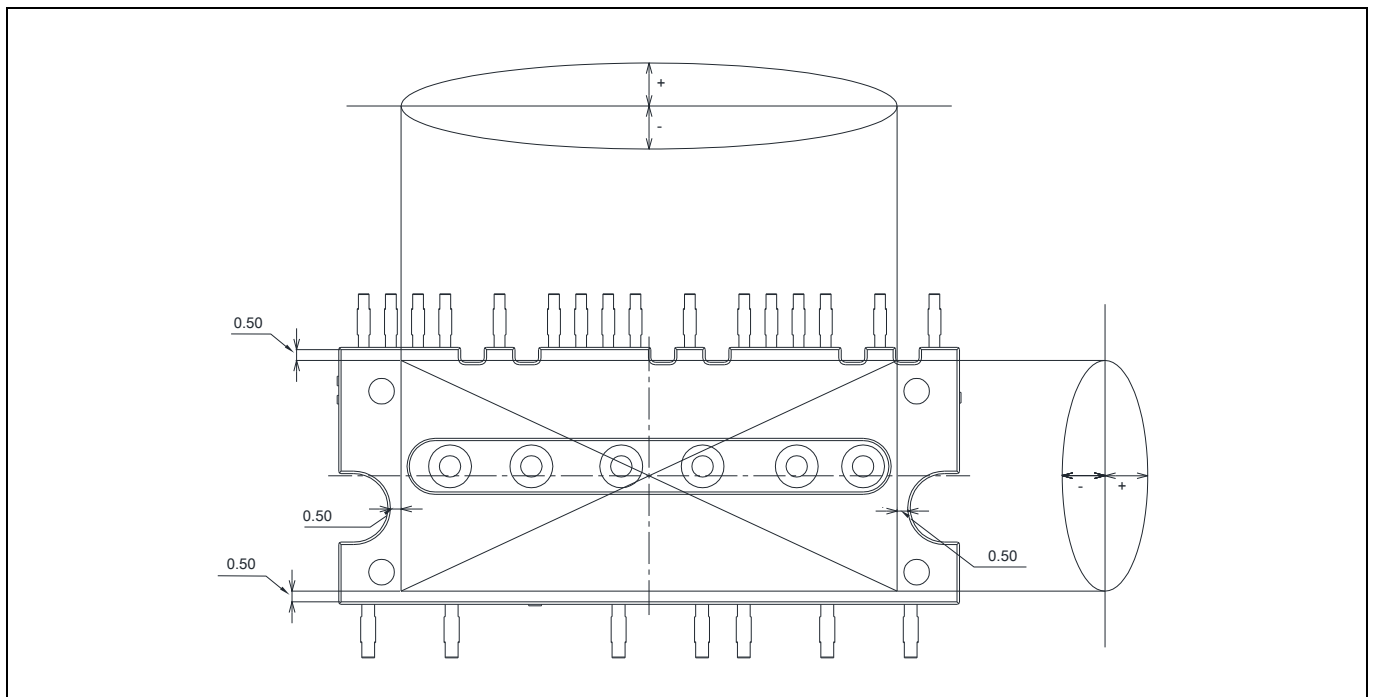


Figure 9 Curvature measurement points



### 11.3 Input-Output Logic Table

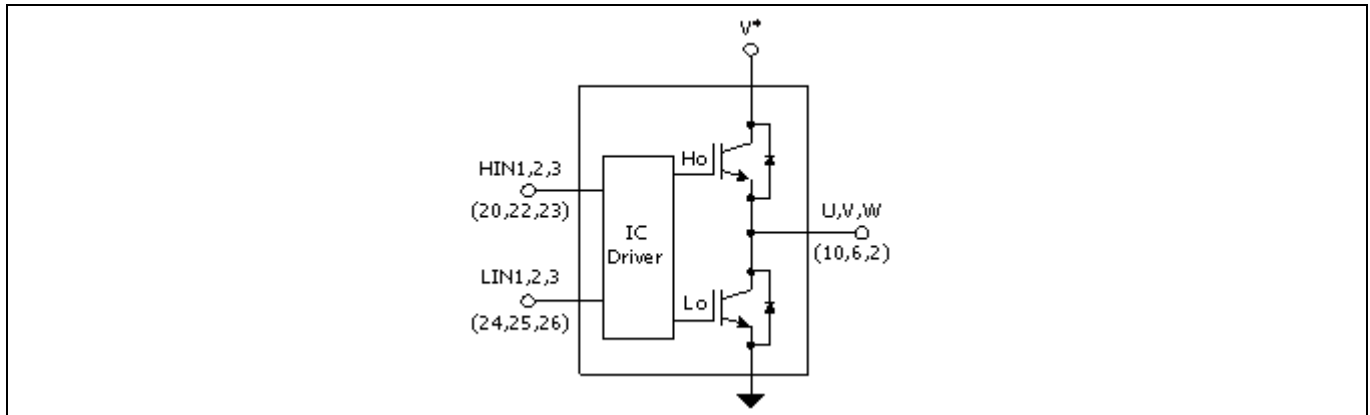


Figure 10 Module block diagram

Table 15

RFE	ITRIP	HIN1,2,3	LIN1,2,3	U,V,W
1	0	1	0	V+
1	0	0	1	0
1	0	0	0	‡
1	0	1	1	‡
1	1	x	x	‡
0	x	x	x	‡

‡ Voltage depends on direction of phase current

### 11.4 Switching Time Definitions

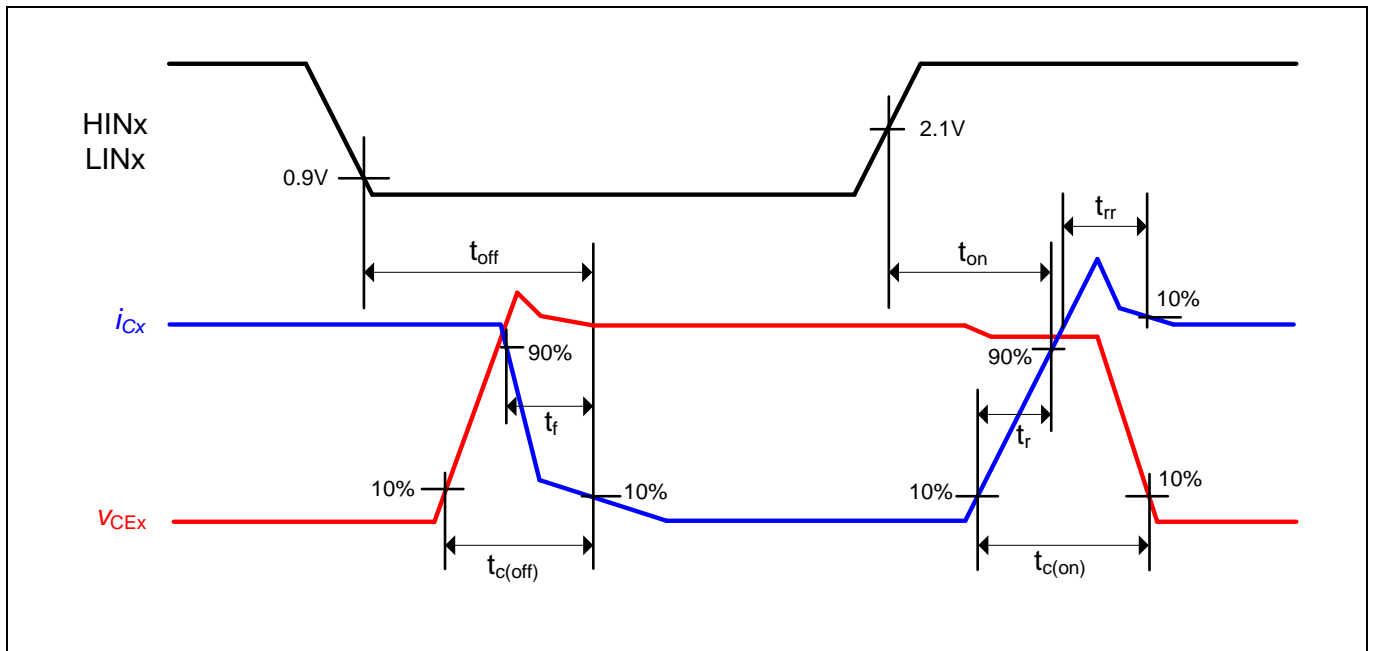


Figure 11 Switching times definition

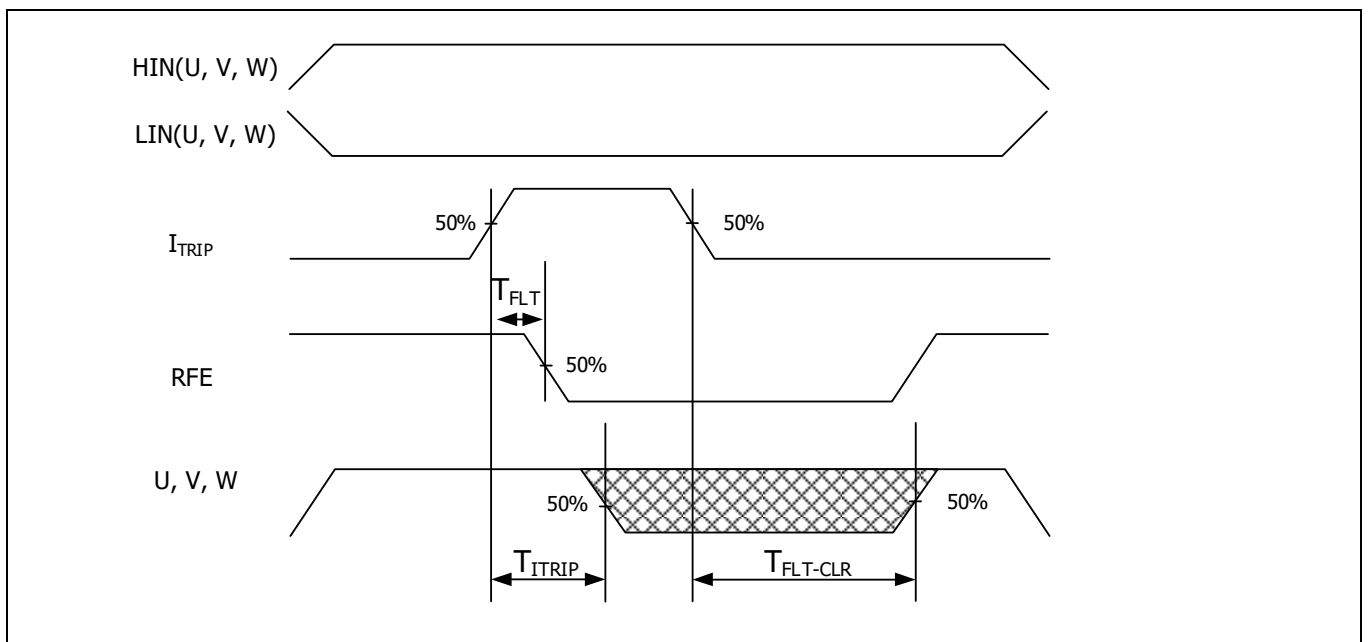


Figure 12 ITRIP time waveform

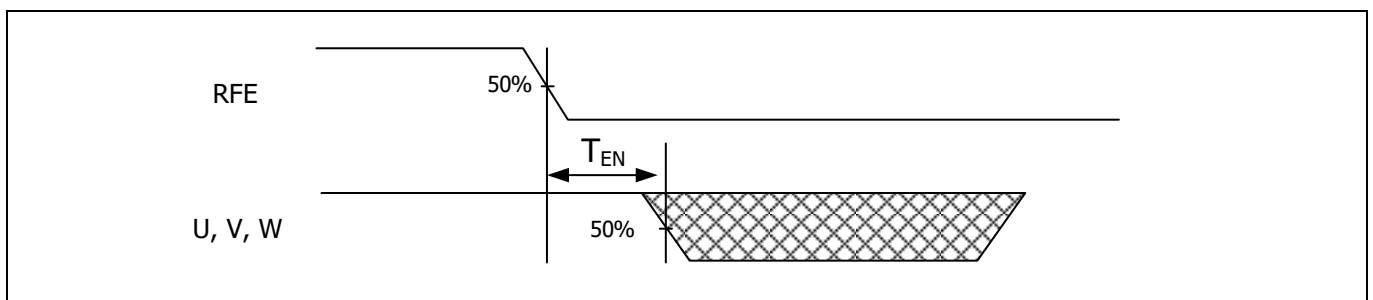


Figure 13 Output disable timing diagram

## 12 Application Guide

### 12.1 Typical Application Schematic

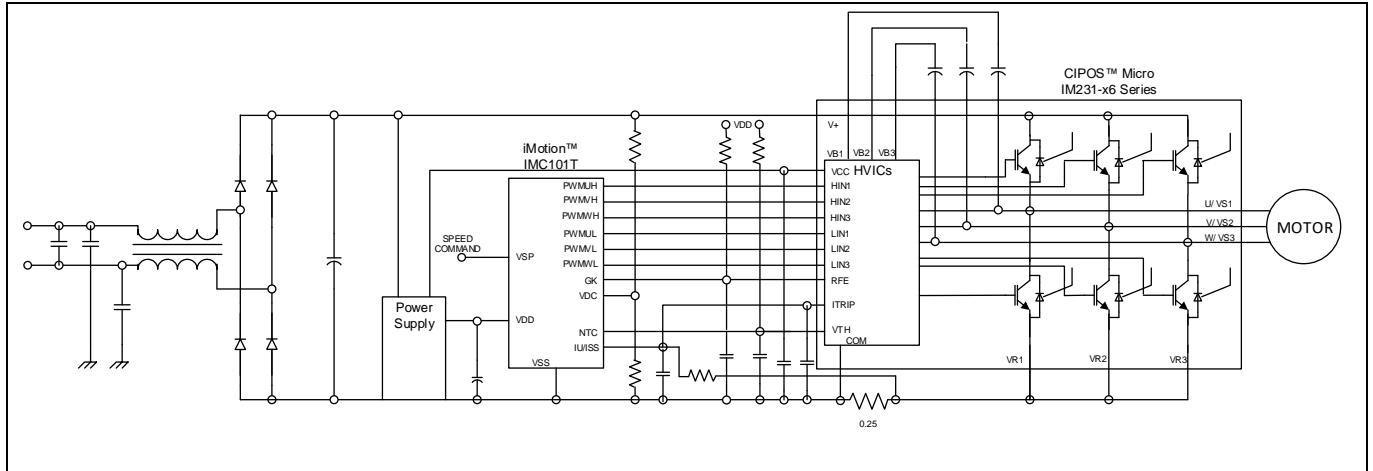


Figure 14 Application schematic

### 12.2 $T_J$ vs $T_{TH}$

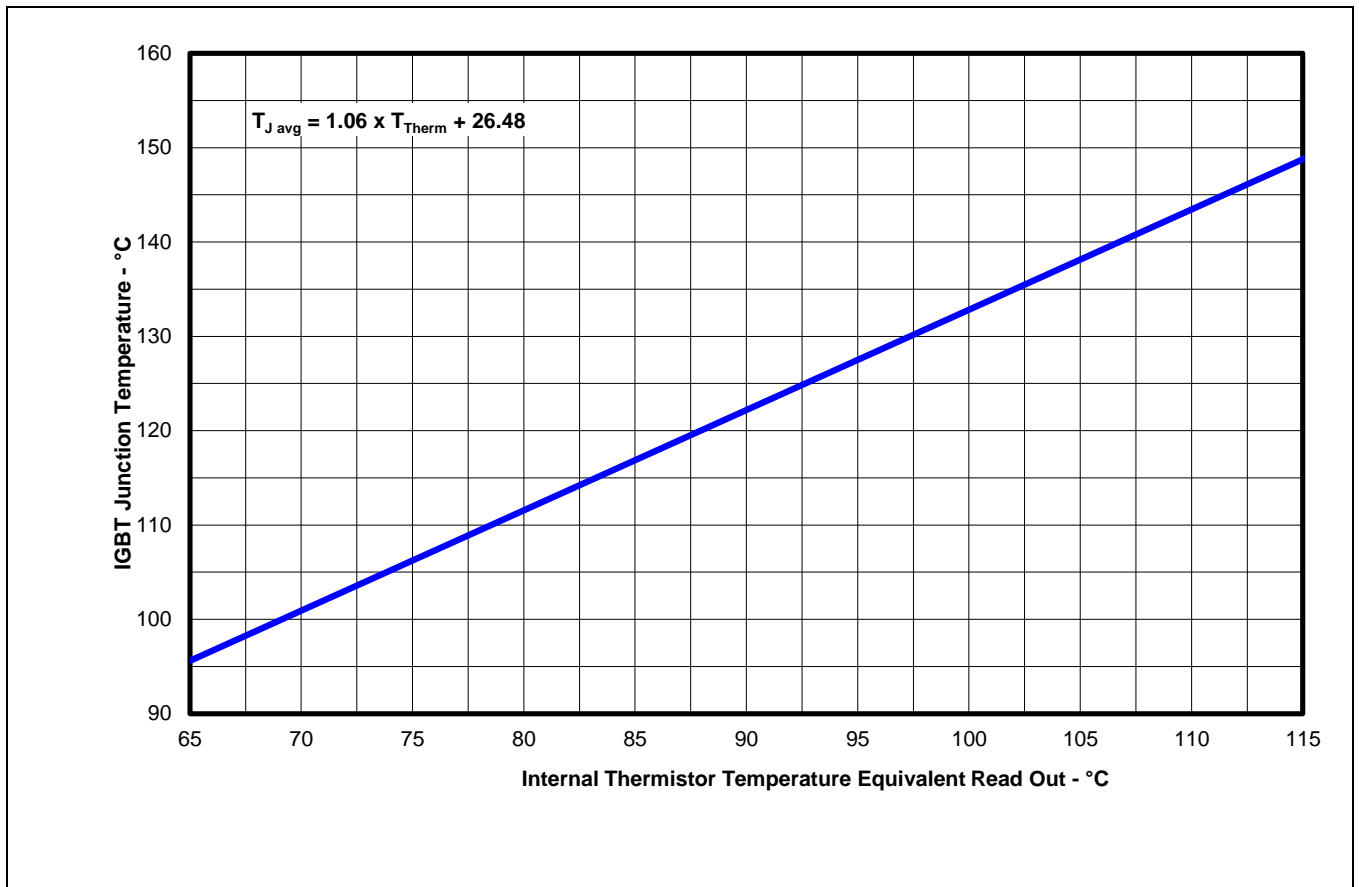


Figure 15 Typical  $T_J$  vs  $T_{TH}$  correlation

### 12.3 -V<sub>s</sub> Immunity

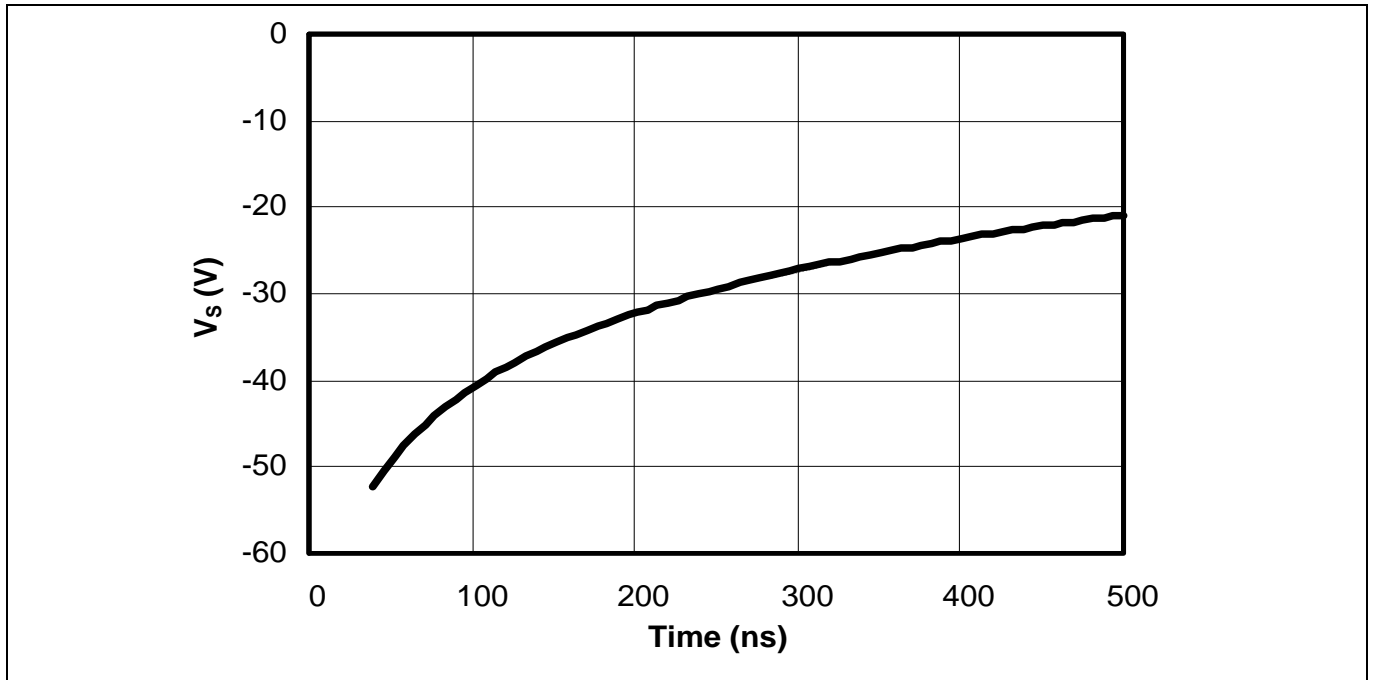
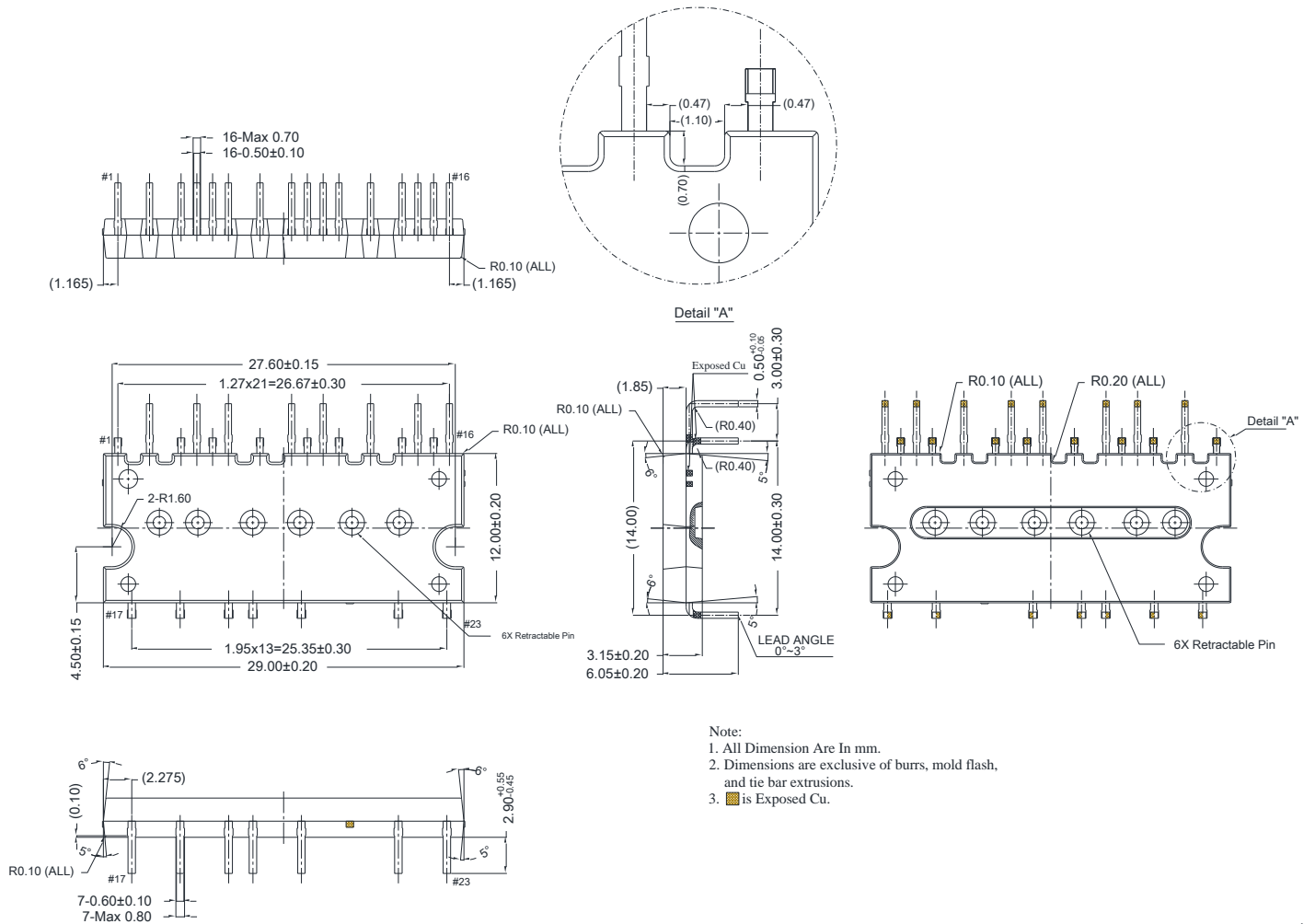


Figure 16 Negative transient V<sub>s</sub> SOA for integrated gate driver

Package Outline

**13 Package Outline**

**13.1 DIP 29x12**



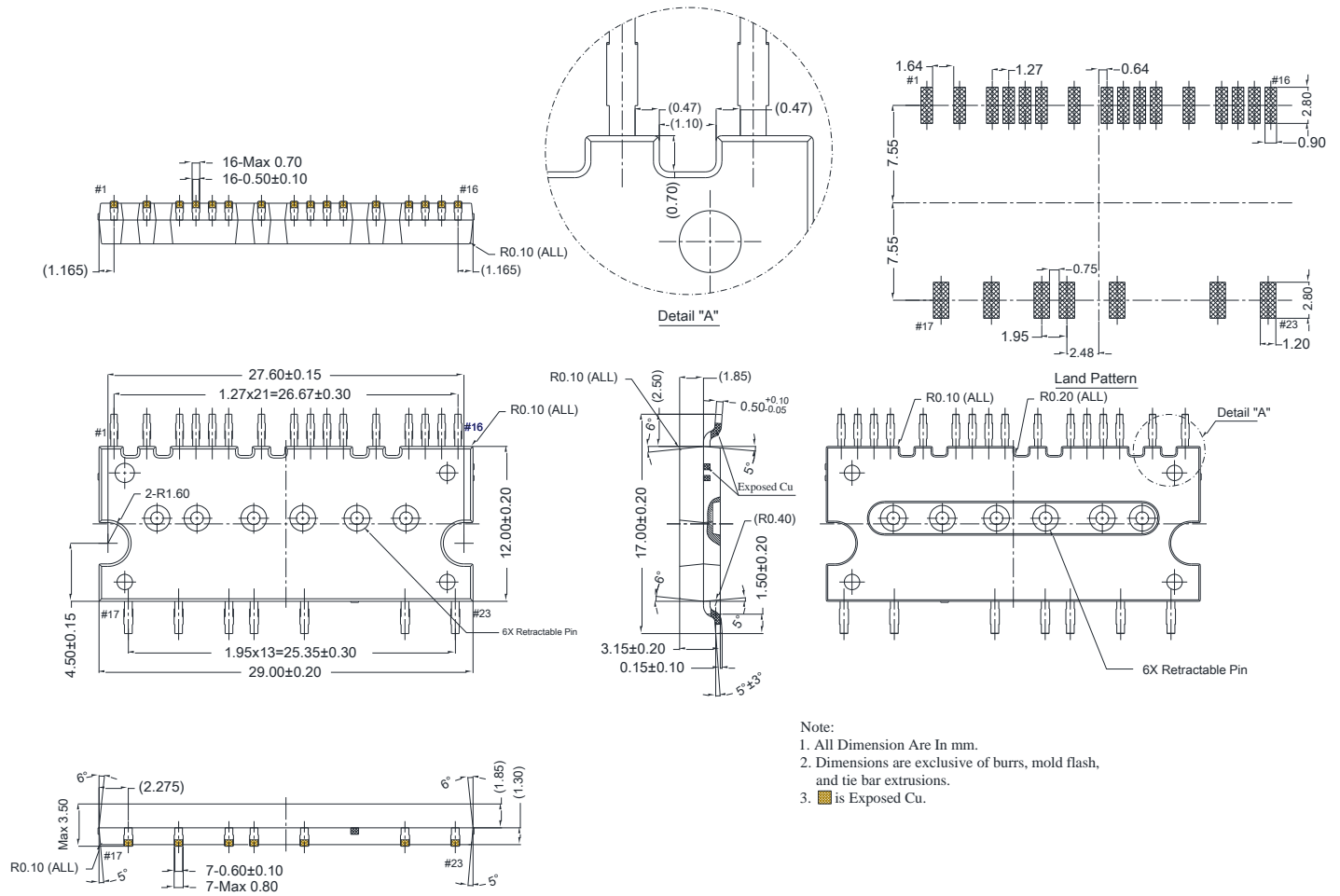
Dimensions in mm

# CIPOS™ Micro

## IM231-L6S1B / IM231-L6T2B

### Package Outline

## 13.2 SOP 29x12



Note:  
 1. All Dimension Are In mm.  
 2. Dimensions are exclusive of burrs, mold flash, and tie bar extrusions.  
 3. ■ is Exposed Cu.

Dimensions in mm

## 14 Revision History

### Major changes since the last revision

Page or Reference	Description of change
Page 21 -22	Updated font size for Package Outline drawing

#### **Trademarks**

All referenced product or service names and trademarks are the property of their respective owners.

**Edition 2018-03-02**

**Published by**

**Infineon Technologies AG**

**81726 München, Germany**

**© 2019 Infineon Technologies AG.**

**All Rights Reserved.**

**Do you have a question about this document?**

**Email: [erratum@infineon.com](mailto:erratum@infineon.com)**

**Document reference**

#### **IMPORTANT NOTICE**

The information given in this document shall in no event be regarded as a guarantee of conditions or characteristics ("Beschaffheitsgarantie").

With respect to any examples, hints or any typical values stated herein and/or any information regarding the application of the product, Infineon Technologies hereby disclaims any and all warranties and liabilities of any kind, including without limitation warranties of non-infringement of intellectual property rights of any third party.

In addition, any information given in this document is subject to customer's compliance with its obligations stated in this document and any applicable legal requirements, norms and standards concerning customer's products and any use of the product of Infineon Technologies in customer's applications.

The data contained in this document is exclusively intended for technically trained staff. It is the responsibility of customer's technical departments to evaluate the suitability of the product for the intended application and the completeness of the product information given in this document with respect to such application.

For further information on the product, technology delivery terms and conditions and prices please contact your nearest Infineon Technologies office ([www.infineon.com](http://www.infineon.com)).

#### **WARNINGS**

Due to technical requirements products may contain dangerous substances. For information on the types in question please contact your nearest Infineon Technologies office.

Except as otherwise explicitly approved by Infineon Technologies in a written document signed by authorized representatives of Infineon Technologies, Infineon Technologies' products may not be used in any applications where a failure of the product or any consequences of the use thereof can reasonably be expected to result in personal injury.



## X-ON Electronics

Largest Supplier of Electrical and Electronic Components

*Click to view similar products for [Motor/Motion/Ignition Controllers & Drivers](#) category:*

*Click to view products by [Infineon](#) manufacturer:*

Other Similar products are found below :

[FSB50550TB2](#) [FSBF15CH60BTH](#) [MSVCPM2-63-12](#) [MSVGW45-14-2](#) [MSVGW54-14-3](#) [MSVGW54-14-5](#) [NTE7043](#) [LA6565VR-TLM-E](#)  
[LB11650-E](#) [LB1837M-TLM-E](#) [LB1845DAZ-XE](#) [LC898300XA-MH](#) [SS30-TE-L-E](#) [26700](#) [LV8281VR-TLM-H](#) [BA5839FP-E2](#) [IRAM236-1067A](#) [LA6584JA-AH](#) [LB11847L-E](#) [NCV70501DW002R2G](#) [AH293-PL-B](#) [STK672-630CN-E](#) [TND315S-TL-2H](#) [FNA23060](#) [FSB50250AB](#)  
[FNA41060](#) [MSVB54](#) [MSVBTC50E](#) [MSVCPM3-54-12](#) [MSVCPM3-63-12](#) [MSVCPM4-63-12](#) [MSVTA120](#) [FSB50550AB](#)  
[NCV70501DW002G](#) [LC898301XA-MH](#) [LV8413GP-TE-L-E](#) [MSVGW45-14-3](#) [MSVGW45-14-4](#) [MSVGW45-14-5](#) [MSVGW54-14-4](#)  
[STK984-091A-E](#) [SLA7026M](#) [MP6519GQ-Z](#) [LB11651-E](#) [IRSM515-025DA4](#) [LV8127T-TLM-H](#) [NCP81382MNTXG](#) [TDA21801](#)  
[LB11851FA-BH](#) [NCV70627DQ001R2G](#)