

CIPOS™ Mini IM564

IM564-X6D/IM564-X6DS

Description

The CIPOS™ IM564 product family (PFC-integrated IPM) offers the chance for integrating various power and control components of inverter and single boost PFC stages to increase reliability and optimize PCB size and system cost. It is designed to control three-phase motors in variable speed drives for applications such as air-conditioners and pumps. The package concept is specially adapted to power applications, which need good thermal conduction and electrical isolation, but also less EMI and overload protection. To deliver excellent electrical performance, the IM564 product family incorporated Infineon's leading-edge TRENCHSTOP™ IGBTs, anti-parallel diodes, and an optimized SOI gate driver for three-phase inverter stage, and a CoolMOS™ Power MOSFET and a rapid switching emitter controlled diode for single boost PFC stage.

Features

Package

- Fully isolated Dual In-Line molded module
- Very low thermal resistance due to DCB substrate
- Lead-free terminal plating; RoHS compliant

Inverter

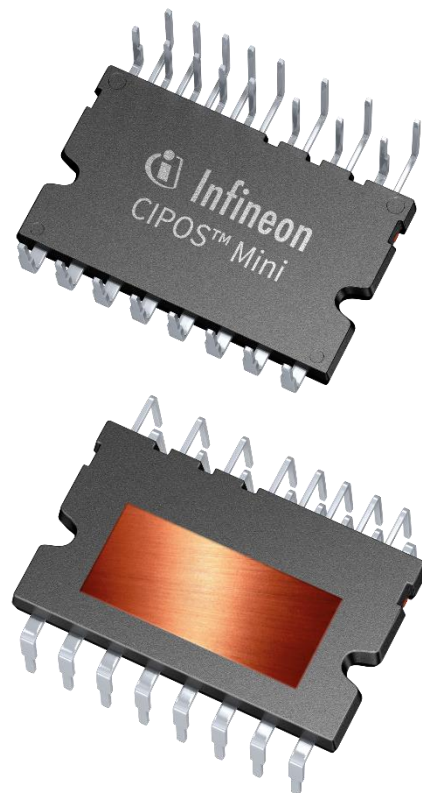
- TRENCHSTOP™ IGBTs for Inverter
- Rugged SOI gate driver technology with stability against transient and negative voltage
- Allowable negative V_s potential up to -11 V for signal transmission at $V_{BS} = 15$ V
- Integrated bootstrap functionality
- Over current shutdown
- Built-in NTC thermistor for temperature monitor
- Under-voltage lockout at all channels
- Low-side common emitter
- Sleep function
- Fast track shutdown
- Cross-conduction prevention
- All of 6 switches turn off during protection

PFC

- CoolMOS™ Power MOSFET for PFC
- Rapid switching emitter controlled diode

Potential applications

- Air-conditioners, Fans, Pumps, Low power motor drives



Product validation

Product validation

Qualified for industrial applications according to the relevant tests of JEDEC47/20/22.

Table 1 Product Information

Base Part Number	Package Type	Standard Pack		Remarks
		Form	MOQ	
IM564-X6D	DIP 36x21D	14 pcs / Tube	280 pcs	
IM564-X6DS	DIP 36x21D	14 pcs / Tube	280 pcs	Extended stand-off

Table of Contents

Table of Contents

Description	1
Features	1
Potential applications	1
Product validation	2
Table of Contents	3
1 Internal Electrical Schematic.....	4
2 Pin Description	5
2.1 Pin Assignment.....	5
2.2 Pin Description	6
3 Absolute Maximum Ratings	8
3.1 Module Section.....	8
3.2 Inverter Section	8
3.3 Control Section.....	8
3.4 PFC Section.....	9
4 Thermal Characteristics.....	10
5 Recommended Operation Conditions	11
6 Static Parameters	12
6.1 Inverter Section	12
6.2 Control Section.....	12
6.3 PFC Section.....	13
7 Dynamic Parameters	14
7.1 Inverter Section	14
7.2 Control Section.....	14
7.3 PFC Section.....	15
8 Thermistor	16
9 Mechanical Characteristics and Ratings	17
10 Qualification Information.....	18
11 Diagrams and Tables	19
11.1 T _c Measurement Point.....	19
11.2 Backside Curvature Measurement Point.....	19
11.3 Switching Time Definition.....	20
11.4 Sleep function timing diagram	20
12 Application Guide.....	21
12.1 Typical Application Schematic	21
12.2 Performance Chart	22
13 Package Outline	23
Revision history.....	25

1 Internal Electrical Schematic

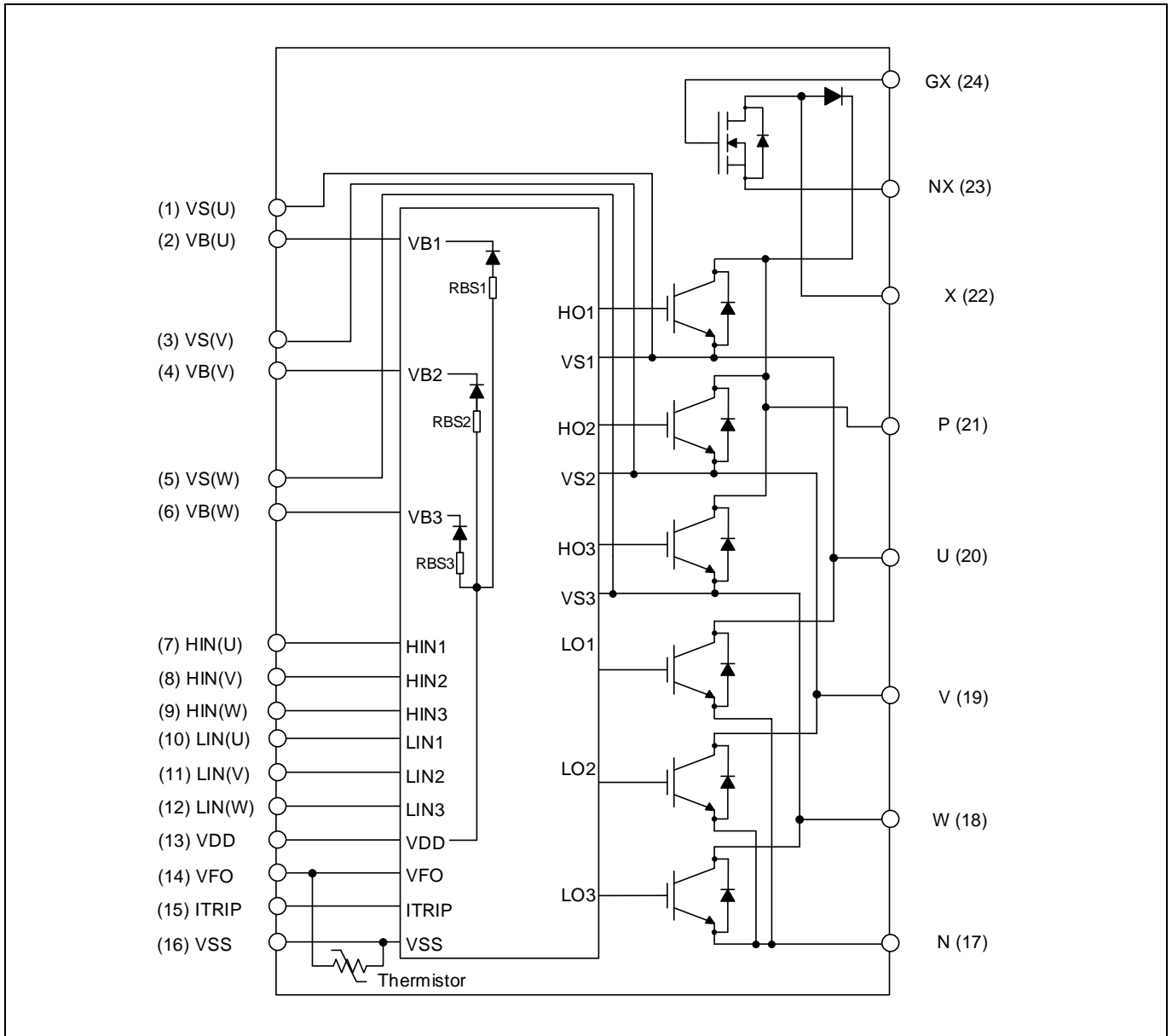


Figure 1 Internal electrical schematic

Pin Description

2 Pin Description

2.1 Pin Assignment

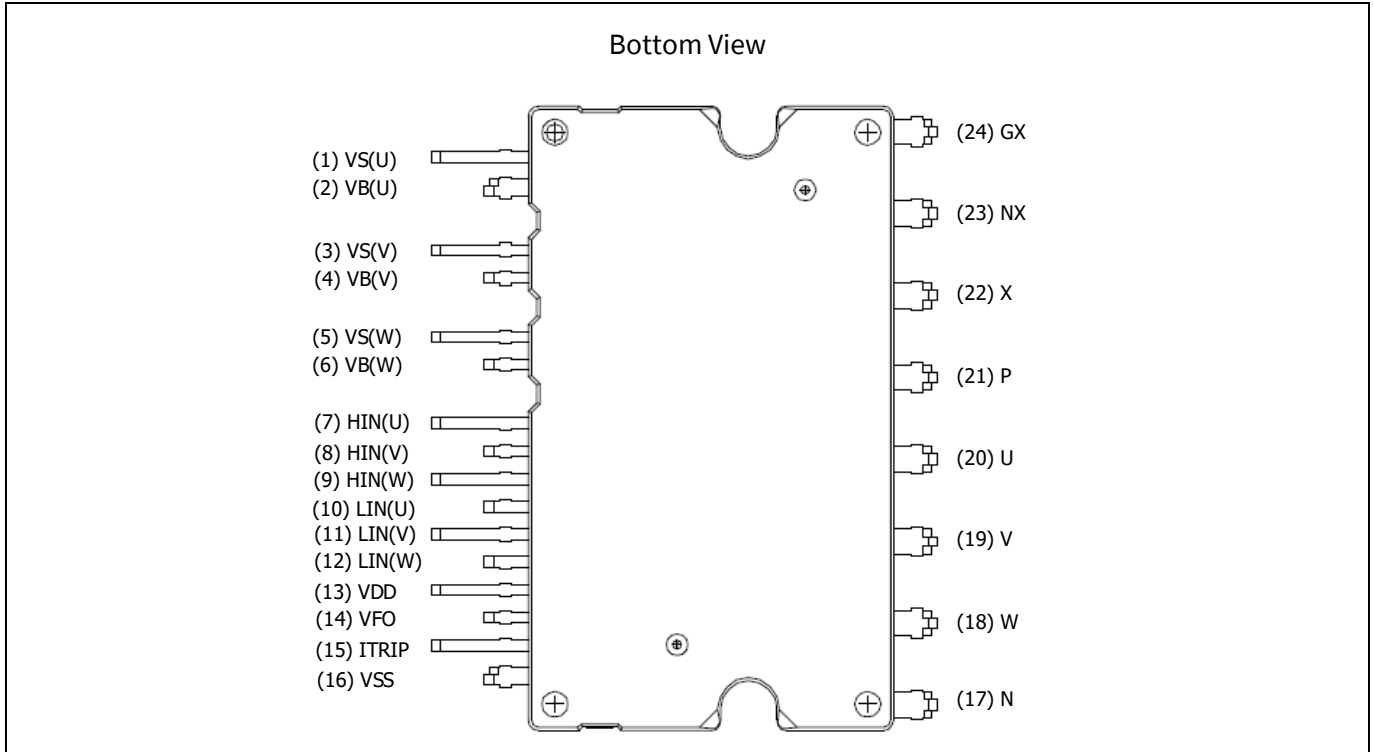


Figure 2 Pin configuration

Table 2 Pin assignment

Pin Number	Pin name	Pin Description
1	V _S (U)	U-phase high-side floating IC supply offset voltage
2	V _B (U)	U-phase high-side floating IC supply voltage
3	V _S (V)	V-phase high-side floating IC supply offset voltage
4	V _B (V)	V-phase high-side floating IC supply voltage
5	V _S (W)	W-phase high-side floating IC supply offset voltage
6	V _B (W)	W-phase high-side floating IC supply voltage
7	HIN(U)	U-phase high-side gate driver input
8	HIN(V)	V-phase high-side gate driver input
9	HIN(W)	W-phase high-side gate driver input
10	LIN(U)	U-phase low-side gate driver input
11	LIN(V)	V-phase low-side gate driver input
12	LIN(W)	W-phase low-side gate driver input
13	V _{DD}	Low-side control supply
14	V _{FO}	Fault output / Temperature monitor
15	ITRIP	Over-current shutdown input
16	V _{SS}	Low-side control negative supply
17	N	Low-side emitter

Pin Description

Pin Number	Pin name	Pin Description
18	W	Motor W-phase output
19	V	Motor V-phase output
20	U	Motor U-phase output
21	P	Positive output voltage / Positive bus input voltage
22	X	PFC MOSFET drain
23	NX	PFC MOSFET source
24	GX	PFC MOSFET gate

2.2 Pin Description

HIN(U, V, W) and LIN(U, V, W) (Low-side and high-side control pins, Pin 7 - 12)

These pins are positive logic and they are responsible for the control of the integrated IGBTs. The Schmitt-trigger input thresholds of them are such to guarantee LSTTL and CMOS compatibility down to 3.3 V controller outputs. A pull-down resistor of about 5 kΩ is internally provided to pre-bias input during supply start-up, and a zener clamp is provided to protect the pin. Negative pulses down to an absolute minimum of -5.5 V are allowed that offers an outstanding robustness. Input Schmitt-trigger and noise filter provide noise rejection to short input pulses.

The noise filter suppresses control pulses shorter than the filter time $t_{FIL,IN}$. The Figure 4 describes how the filter works. An input pulse-width shorter than 1 μs is not recommended.

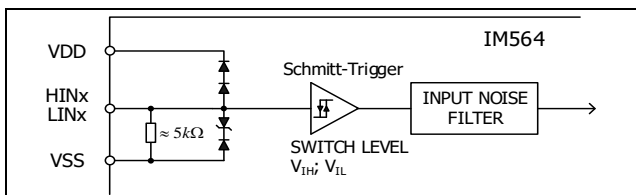


Figure 3 Input pin structure

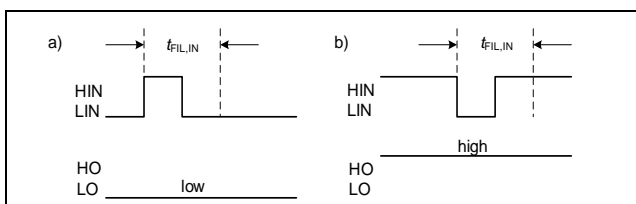


Figure 4 Input filter timing diagram

The integrated gate driver additionally provides a shoot-through prevention capability that avoids the simultaneous on-states of the same leg (i.e.

HO1 and LO1, HO2 and LO2, HO3 and LO3). When both inputs of the same leg are activated, only formerly activated one is remained activated so that the leg is kept steadily in a safe state. A minimum deadtime insertion of typically 360 ns is also provided by driver, in order to reduce cross-conduction of the IGBTs.

V_{F0} (Fault-output and NTC, Pin 14)

The V_{F0} pin indicates a module failure in case of under voltage at pin V_{DD} or in case of triggered over current detection at ITRIP. An external pull-up resistor is required.

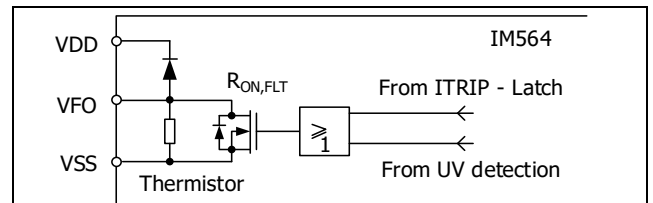


Figure 5 Internal circuit at pin V_{F0}

The sleep function is activated after each trigger of ITRIP or under-voltage lockout. A new edge input signal is mandatory to activate gate drives after fault-clear time as shown in Figure 11.

ITRIP (Over current detection function, Pin 15)

The IM564 product family provides an over current detection function by connecting the ITRIP input with the IGBT current feedback. The ITRIP comparator threshold (typ. 0.525 V) is referenced to V_{SS}. An input noise filter ($t_{ITRIPMIN}$ = typ. 300 ns) prevents the driver to detect false over-current events.

Over current detection generates a shutdown of outputs of the gate driver. Fast track shutdown

Pin Description

function allows low-side outputs to be turned off faster than high-side outputs about 200 ns. The fault-clear time is set to minimum 100 μ s.

V_{DD}, V_{SS} (Low-side control supply and reference, Pin 13, 16)

V_{DD} is the control supply and it provides power both to input logic and to output stage. Input logic is referenced to V_{SS} ground.

The under-voltage circuit enables the device to operate at power on when a supply voltage of at least a typical voltage of V_{DDUV+} = 12.4 V is present.

The gate driver shuts down all the outputs, when the V_{DD} supply voltage is below V_{DDUV-} = 11.5 V. This prevents the IGBTs from critically low gate voltage levels during on-state and therefore from excessive power dissipation.

V_B(U, V, W) and V_S(U, V, W) (High-side supplies, Pin 1 - 6)

V_B to V_S is the high-side supply voltage. The high-side circuit can float with respect to V_{SS} following the high-side IGBT emitter voltage.

Due to the low power consumption, the floating driver stage is supplied by integrated bootstrap circuit.

The under-voltage detection operates with a rising supply threshold of typical V_{BSUV+} = 11.5 V and a falling threshold of V_{BSUV-} = 10.7 V.

V_S(U, V, W) provide a high robustness against negative voltage in respect of V_{SS} of -50 V transiently. This ensures very stable designs even under harsh conditions.

N (Low-side emitter, Pin 17)

The low-side common emitter is available for current measurement. It is recommended to keep the connection to pin V_{SS} as short as possible to avoid unnecessary inductive voltage drops.

W, V, U (High-side emitter and low-side collector, Pin 18 - 20)

These pins are connected to motor U, V, W input pins

P (Positive bus input voltage, Pin 21)

The high-side IGBTs and PFC diode cathode are connected to the bus voltage. It is noted that the bus voltage does not exceed 450 V.

X, NX, GX (Single boost PFC, Pins 22-24)

These pins are drain, source, and gate of MOSFET for single boost PFC stage.

Absolute Maximum Ratings

3 Absolute Maximum Ratings

($V_{DD} = 15\text{ V}$, $V_{GE} = 15\text{ V}$ and $T_J = 25^\circ\text{C}$, if not stated otherwise)

3.1 Module Section

Description	Symbol	Condition	Value	Unit
Storage temperature range	T_{STG}		-40 ~ 125	°C
Operating case temperature	T_C	Refer to Figure 7	-40 ~ 125	°C
Operating junction temperature	T_J		-40 ~ 150	°C
Isolation test voltage	V_{ISO}	1 min, RMS, $f = 60\text{ Hz}$	2000	V

3.2 Inverter Section

Description	Symbol	Condition	Value	Unit
Max. blocking voltage	V_{CES}	$I_C = 250\ \mu\text{A}$	600	V
DC link supply voltage of P-N	V_{PN}	Applied between P-N	450	V
DC link supply voltage (surge) of P-N	$V_{PN(surge)}$	Applied between P-N	500	V
Continuous collector current	I_C	$T_C = 25^\circ\text{C}$, $T_J < 150^\circ\text{C}$	± 20	A
		$T_C = 80^\circ\text{C}$, $T_J < 150^\circ\text{C}$	± 15	
Maximum peak collector current	$I_{C(peak)}$	$T_C = 25^\circ\text{C}$, $T_J < 150^\circ\text{C}$ less than 1 ms	± 40	A
Power dissipation per IGBT	P_{tot}		63.1	W
Short circuit withstand time ¹	t_{SC}	$V_{DC} \leq 400\text{V}$, $T_J = 150^\circ\text{C}$	5	μs

3.3 Control Section

Description	Symbol	Condition	Value	Unit
High-side offset voltage	V_S		600	V
Repetitive peak reverse voltage of bootstrap diode	V_{RRM}		600	V
Module supply voltage	V_{DD}		-1 ~ 20	V
High-side floating supply voltage (V_B reference to V_S)	V_{BS}		-1 ~ 20	V
Input voltage(LIN, HIN, ITRIP)	V_{IN}		-5.5 ~ $V_{DD} + 0.5$	V

¹ Allowed number of short circuits: < 1000; time between short circuits: > 1 s.

Absolute Maximum Ratings

3.4 PFC Section

Description	Symbol	Condition	Value	Unit
Max. blocking voltage	V_{DSS}	$V_{GS} = 0\text{ V}, I_D = 1\text{ mA}$	600	V
Gate-source voltage	V_{GS}	DC	± 20	V
		AC ($f > 1\text{ Hz}$)	± 30	
Continuous drain current	I_D	$T_C = 25^\circ\text{C}, T_J \leq 150^\circ\text{C}$	± 20	A
		$T_C = 80^\circ\text{C}, T_J \leq 150^\circ\text{C}$	± 15	
Maximum peak drain current	$I_{D(\text{peak})}$	$T_J \leq 150^\circ\text{C}, T_C = 25^\circ\text{C}$	± 40	A
Power dissipation	P_{tot}		88.6	W
Diode forward current	I_F	$T_C = 25^\circ\text{C}, T_J \leq 150^\circ\text{C}$	20	A
		$T_C = 80^\circ\text{C}, T_J \leq 150^\circ\text{C}$	15	
Diode pulsed current	$I_{F(\text{peak})}$	$T_C = 25^\circ\text{C}, T_J \leq 150^\circ\text{C}$	40	A
Diode non repetitive surge forward current	I_{FSM}	$T_C = 25^\circ\text{C}, t_p = 10\text{ ms}$, sine half-wave	120	A

4 Thermal Characteristics

Description	Symbol	Condition	Value			Unit
			Min.	Typ.	Max.	
Single IGBT thermal resistance, junction-case(Inverter)	R_{thJC}	(See Figure 7 for T_c measurement point)			1.98	K/W
Single Diode thermal resistance, junction-case(Inverter)	$R_{thJC,D}$				3.24	K/W
Single MOSFET thermal resistance, junction-case(PFC)	R_{thJC}	(See Figure 7 for T_c measurement point)			1.41	K/W
Single Diode thermal resistance, junction-case(PFC)	$R_{thJC,D}$				2.34	K/W

Recommended Operation Conditions

5 Recommended Operation Conditions

All voltages are absolute voltages referenced to V_{SS} -potential unless otherwise specified.

Description	Symbol	Value			Unit
		Min.	Typ.	Max.	
DC link supply voltage of P-N	V_{PN}	0	-	450	V
Low-side supply voltage	V_{DD}	13	15	17.5	V
High-side floating supply voltage (V_B vs. V_S)	V_{BS}	13	-	17.5	V
Logic input voltages LIN, HIN, ITRIP	V_{IN} V_{ITRIP}	0	-	5	V
Inverter PWM carrier frequency	f_{PWM}	-	-	20	kHz
PFC switching frequency	$f_{PWM(PFC)}$			150	kHz
External deadtime between HIN and LIN	DT	1.5	-	-	μ s
Voltage between $V_{SS} - N$ and NX (including surge)	V_{COMP}	-5	-	5	V
Minimum input pulse width	$PW_{IN(ON)}$ $PW_{IN(OFF)}$	1	-	-	μ s
Control supply variation	ΔV_{BS} , ΔV_{DD}	-1 -1	- -	1 1	V/ μ s
PFC MOSFET gate-source voltage	V_{GE}	10	15	18	V
PFC MOSFET external gate parameters	R_G	-	5.1	-	Ω
	C_{GS}	-	4.7	-	nF
	R_{GS}	-	10	-	k Ω

Static Parameters

6 Static Parameters

($V_{DD} = 15\text{ V}$, $V_{GE} = 15\text{ V}$ and $T_J = 25^\circ\text{C}$, if not stated otherwise)

6.1 Inverter Section

Description	Symbol	Condition	Value			Unit
			Min.	Typ.	Max.	
Collector-emitter voltage	$V_{CE(Sat)}$	$I_C = 20\text{ A}$, $T_J = 25^\circ\text{C}$ $I_C = 20\text{ A}$, $T_J = 150^\circ\text{C}$	-	1.75 2.0	2.05 -	V
Collector-emitter leakage current	I_{CES}	$V_{CE} = 600\text{ V}$	-	-	1	mA
Diode forward voltage	V_F	$I_F = 20\text{ A}$, $T_J = 25^\circ\text{C}$ $I_F = 20\text{ A}$, $T_J = 150^\circ\text{C}$	-	2.2 2.15	2.8 -	V

6.2 Control Section

Description	Symbol	Condition	Value			Unit
			Min.	Typ.	Max.	
Logic "1" input voltage (LIN, HIN)	V_{IH}		1.7	2.0	2.3	V
Logic "0" input voltage (LIN, HIN)	V_{IL}		0.7	0.9	1.1	V
ITRIP positive going threshold	$V_{IT,TH+}$		475	525	570	mV
ITRIP input hysteresis	$V_{IT,HYS}$		45	70	-	mV
V_{DD} and V_{BS} supply under voltage positive going threshold	V_{DDUV+}		11.5	12.4	13.1	V
	V_{BSUV+}		10.6	11.5	12.2	
V_{DD} and V_{BS} supply under voltage negative going threshold	V_{DDUV-}		10.6	11.5	12.3	V
	V_{BSUV-}		9.7	10.7	11.7	
V_{DD} and V_{BS} supply under voltage lockout hysteresis	V_{DDUVH} V_{BSUVH}		0.5	0.9	-	V
Quiescent V_{Bx} supply current (V_{Bx} only)	I_{QBS}	$H_{IN} = 0\text{ V}$	-	-	300	μA
Quiescent V_{DD} supply current (V_{DD} only)	I_{QDD}	$L_{IN} = 0\text{ V}$, $H_{INX} = 5\text{ V}$	-	-	1.1	mA
Input bias current for LIN, HIN	I_{IN+}	$V_{IN} = 5\text{ V}$	-	1.1	1.7	mA
Input bias current for ITRIP	I_{ITRIP+}	$V_{ITRIP} = 5\text{ V}$	-	68	185	μA
Input bias current for V_{FO}	I_{FO}	$V_{FO} = 5\text{ V}$, $V_{ITRIP} = 0\text{ V}$	-	60	-	μA
V_{FO} output voltage	V_{FO}	$I_{FO} = 10\text{ mA}$, $V_{ITRIP} = 1\text{ V}$	-	0.35	-	V
Bootstrap diode forward voltage	V_{F_BSD}	$I_F = 0.3\text{ mA}$	-	1.0	-	V
Bootstrap diode resistance	R_{BSD}	$V_{F1} = 4\text{ V}$, $V_{F2} = 5\text{ V}$	-	37	-	Ω

Static Parameters

6.3 PFC Section

Description	Symbol	Condition	Value			Unit
			Min.	Typ.	Max.	
PFC MOSFET drain-source on-state resistance	$R_{DS(on)}$	$I_D = 20\text{ A}, V_{GS} = 15\text{ V}, T_J = 25^\circ\text{C}$	-	0.086	0.115	Ω
		$I_D = 20\text{ A}, V_{GS} = 15\text{ V}, T_J = 150^\circ\text{C}$	-	0.156	-	
PFC MOSFET drain-source leakage current	I_{DSS}	$V_{DS} = 600\text{ V}, V_{GS} = 0\text{ V}$	-	-	1	mA
PFC diode forward voltage	V_F	$I_F = 20\text{ A}, T_J = 25^\circ\text{C}$	-	1.4	-	V
		$I_F = 20\text{ A}, T_J = 150^\circ\text{C}$	-	1.3	-	

Dynamic Parameters

7 Dynamic Parameters

($V_{DD} = 15\text{ V}$, $V_{GE} = 15\text{ V}$ and $T_J = 25^\circ\text{C}$, if not stated otherwise)

7.1 Inverter Section

Description	Symbol	Condition	Value			Unit
			Min.	Typ.	Max.	
Turn-on propagation delay time	t_{on}	$V_{LIN, HIN} = 5\text{ V}$, $I_C = 20\text{ A}$, $V_{DC} = 300\text{ V}$	-	740	-	ns
Turn-on rise time	t_r		-	60	-	ns
Turn-on switching time	$t_{c(on)}$		-	200	-	ns
Reverse recovery time	t_{rr}		-	215	-	ns
Turn-off propagation delay time	t_{off}	$V_{LIN, HIN} = 0\text{ V}$, $I_C = 20\text{ A}$, $V_{DC} = 300\text{ V}$	-	860	-	ns
Turn-off fall time	t_f		-	20	-	ns
Turn-off switching time	$t_{c(off)}$		-	65	-	ns
Short circuit propagation delay time	t_{SCP}	From $V_{IT, TH+}$ to 10% I_{SC}	-	1600	-	ns
IGBT turn-on energy (includes reverse recovery of diode)	E_{on}	$V_{DC} = 300\text{ V}$, $V_{DD} = 15\text{ V}$, $I_C = 20\text{ A}$ $T_J = 25^\circ\text{C}$ $T_J = 150^\circ\text{C}$	-	710	-	μJ
			-	780	-	
IGBT turn-off energy	E_{off}	$V_{DC} = 300\text{ V}$, $V_{DD} = 15\text{ V}$, $I_C = 20\text{ A}$ $T_J = 25^\circ\text{C}$ $T_J = 150^\circ\text{C}$	-	250	-	μJ
			-	350	-	
Diode recovery energy	E_{rec}	$V_{DC} = 300\text{ V}$, $V_{DD} = 15\text{ V}$, $I_C = 20\text{ A}$ $T_J = 25^\circ\text{C}$ $T_J = 150^\circ\text{C}$	-	60	-	μJ
			-	115	-	

7.2 Control Section

Description	Symbol	Condition	Value			Unit
			Min.	Typ.	Max.	
Input filter time ITRIP	t_{ITRIP}	$V_{ITRIP} = 1\text{ V}$	-	530	-	ns
Input filter time at LIN, HIN for turn on and off	$t_{FIL, IN}$	$V_{LIN, HIN} = 0\text{ V}$ or 5 V	-	290	-	ns
Fault clear time after ITRIP-fault	t_{FLTCLR}		100	280	-	μs
ITRIP to Fault propagation delay	t_{FLT}	$V_{LIN, HIN} = 0$ or $V_{LIN, HIN} = 5\text{ V}$, $V_{ITRIP} = 1\text{ V}$	-	680	1000	ns
Internal deadtime	DT_{IC}		-	360	-	ns
Matching propagation delay time (On and Off) all channels	M_T	External dead time > 500 ns	-	20	-	ns

Dynamic Parameters

7.3 PFC Section

Description	Symbol	Condition	Value			Unit
			min	typ	max	
Input capacitance	C_{iss}	$V_{GS} = 0\text{ V}, V_{DC} = 400\text{ V},$	-	1952	-	pF
Output capacitance	C_{oss}	$f = 250\text{ kHz}$	-	33	-	
Effective output capacitance, energy related ¹	$C_{o(er)}$	$V_{GS} = 0\text{ V}, V_{DC} = 0..400\text{ V}$	-	62	-	
Gate charge total	Q_G	$V_{DC} = 400\text{ V}, I_D = 10.5\text{ A},$ $V_{GS} = 0\text{ to }10\text{ V}$	-	45	-	nC
Turn-on delay time	$t_{d(on)}$	$V_{DC} = 400\text{ V}, I_D = 20\text{ A},$ $R_G = 5.1\ \Omega, C_{GS} = 4.7\text{ nF},$ $R_{GS} = 10\text{ k}\Omega, T_J = 25^\circ\text{C}$	-	30	-	ns
Turn-on rise time	t_r		-	25	-	ns
Turn-off delay time	$t_{d(off)}$		-	110	-	ns
Turn-off fall time	t_f		-	20	-	ns
Reverse recovery time	t_{rr}		-	45	-	ns
Turn-on energy	E_{on}	$V_{DC} = 400\text{ V}, I_D = 20\text{ A}, R_G = 5.1\ \Omega,$ $C_{GS} = 4.7\text{ nF}, R_{GS} = 10\text{ k}\Omega$ $T_J = 25^\circ\text{C}$ $T_J = 150^\circ\text{C}$	-	310	-	μJ
			-	390	-	
Turn-off energy	E_{off}	$V_{DC} = 400\text{ V}, I_D = 20\text{ A}, R_G = 5.1\ \Omega,$ $C_{GS} = 4.7\text{ nF}, R_{GS} = 10\text{ k}\Omega$ $T_J = 25^\circ\text{C}$ $T_J = 150^\circ\text{C}$	-	110	-	μJ
			-	130	-	
Diode recovery energy	E_{rec}	$V_{DC} = 400\text{ V}, I_D = 20\text{ A}, R_G = 5.1\ \Omega,$ $C_{GS} = 4.7\text{ nF}, R_{GS} = 10\text{ k}\Omega$ $T_J = 25^\circ\text{C}$ $T_J = 150^\circ\text{C}$	-	90	-	μJ
			-	140	-	

¹ $C_{o(er)}$ is a fixed capacitance that gives the same stored energy as C_{oss} while V_{DS} is rising from 0 to 400 V.

Thermistor

8 Thermistor

Description	Condition	Symbol	Value			Unit
			Min.	Typ.	Max.	
Resistance	$T_{NTC} = 25^{\circ}\text{C}$	R_{NTC}	-	85	-	$k\Omega$
B-constant of NTC (Negative Temperature Coefficient)		B(25/100)	-	4092	-	K

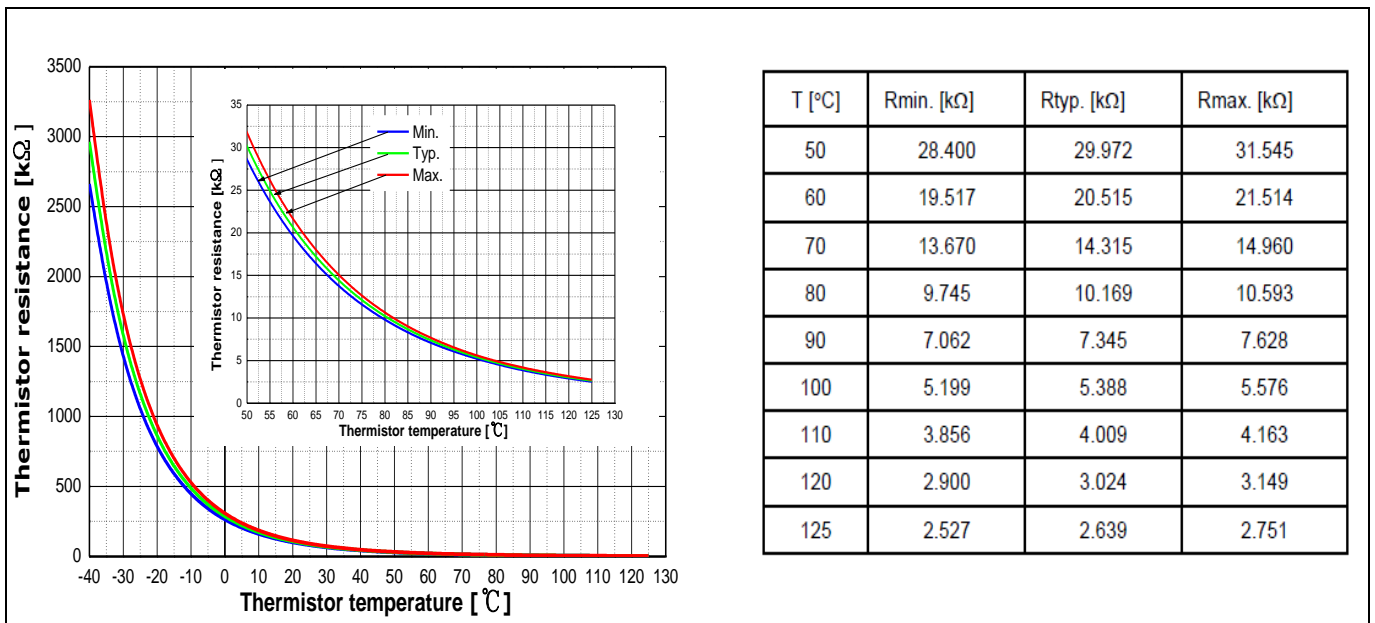


Figure 6 Thermistor resistance – temperature curve and table
(For more information, please refer to the application note ‘AN2016-10 CIPOS Mini Technical description’)

9 Mechanical Characteristics and Ratings

Description	Condition	Value			Unit
		Min.	Typ.	Max.	
Comparative Tracking Index (CTI)		600	-	-	V
Mounting torque	M3 screw and washer	0.49	-	0.78	Nm
Backside Curvature	Refer to Figure 8	-50	-	100	μm
Weight		-	6.83	-	g

10 Qualification Information

UL Certification	File number: E314539	
RoHS Compliant	Yes (Lead-free terminal plating)	
ESD	HBM(Human Body Model) Class	2
	CDM(Charged Device Model) Class	C3

11 Diagrams and Tables

11.1 T_c Measurement Point

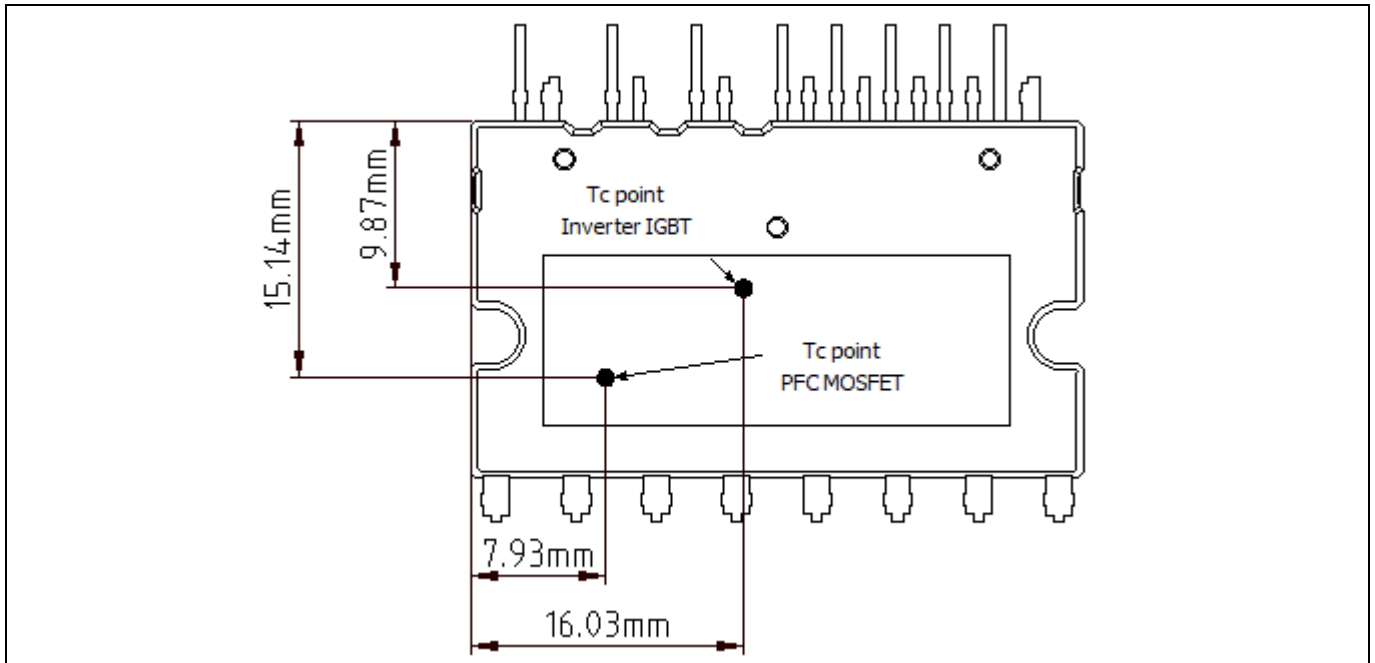


Figure 7 T_c measurement point¹

11.2 Backside Curvature Measurement Point

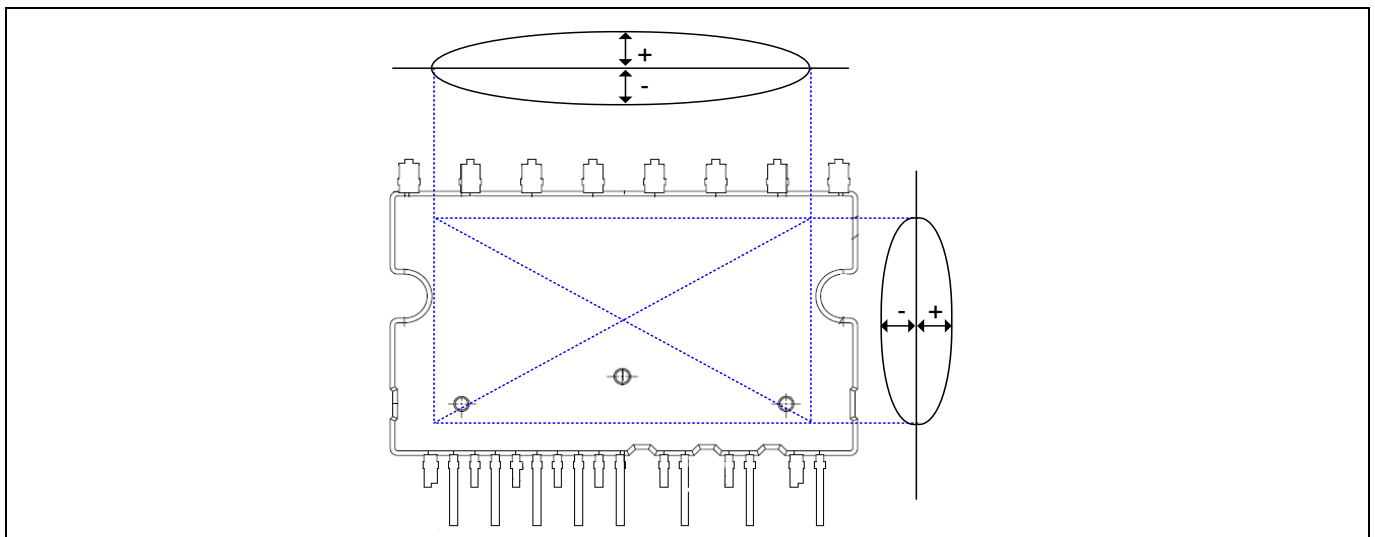


Figure 8 Backside curvature measurement position

¹Any measurement except for the specified point in Figure 7 is not relevant for the temperature verification and brings wrong or different information.

11.3 Switching Time Definition

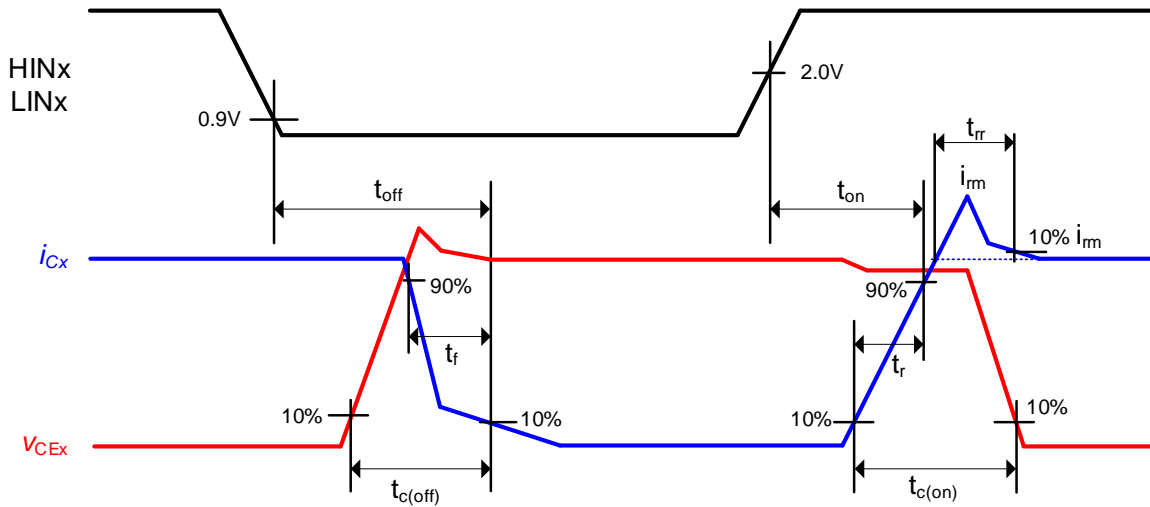


Figure 9 Switching times definition of inverter part

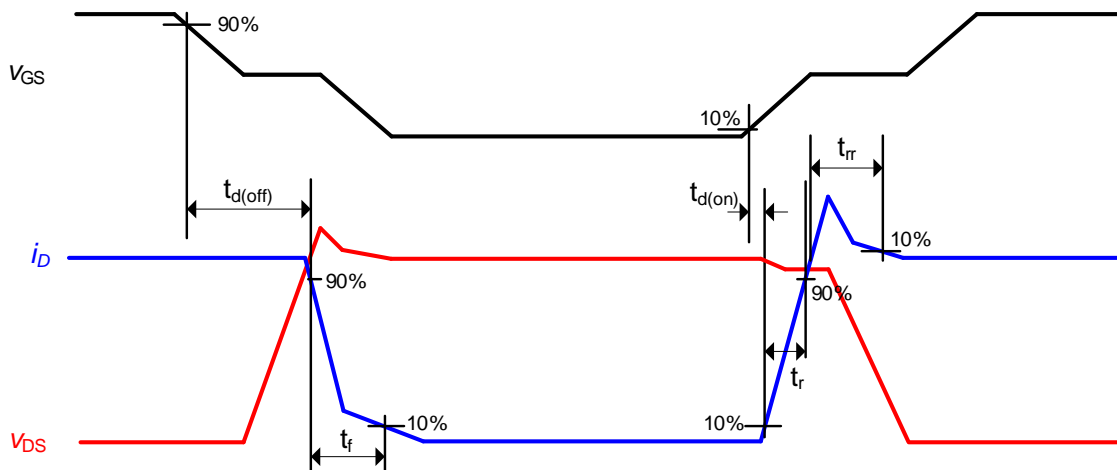


Figure 10 Switching times definition of PFC part

11.4 Sleep function timing diagram

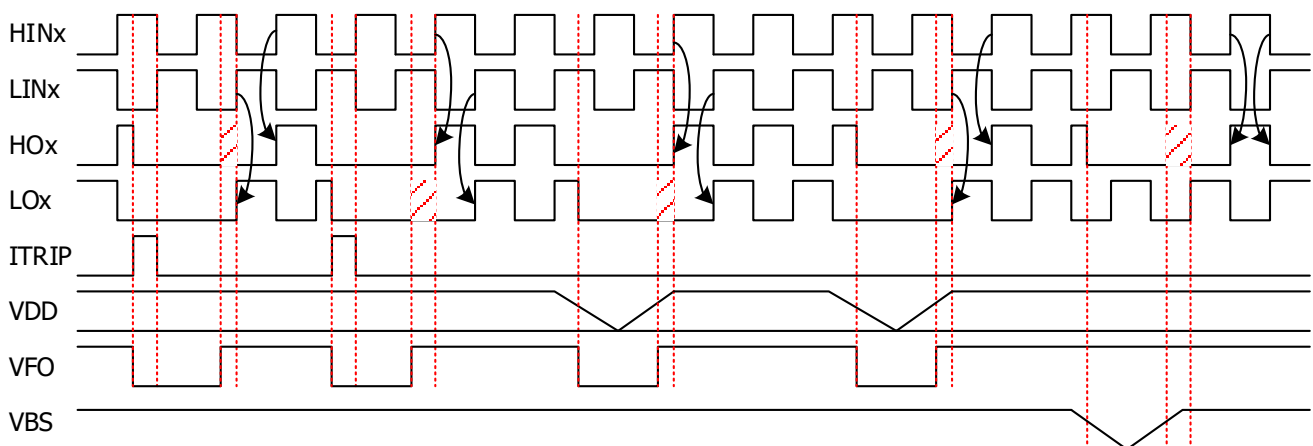


Figure 11 Sleep function timing diagram

12 Application Guide

12.1 Typical Application Schematic

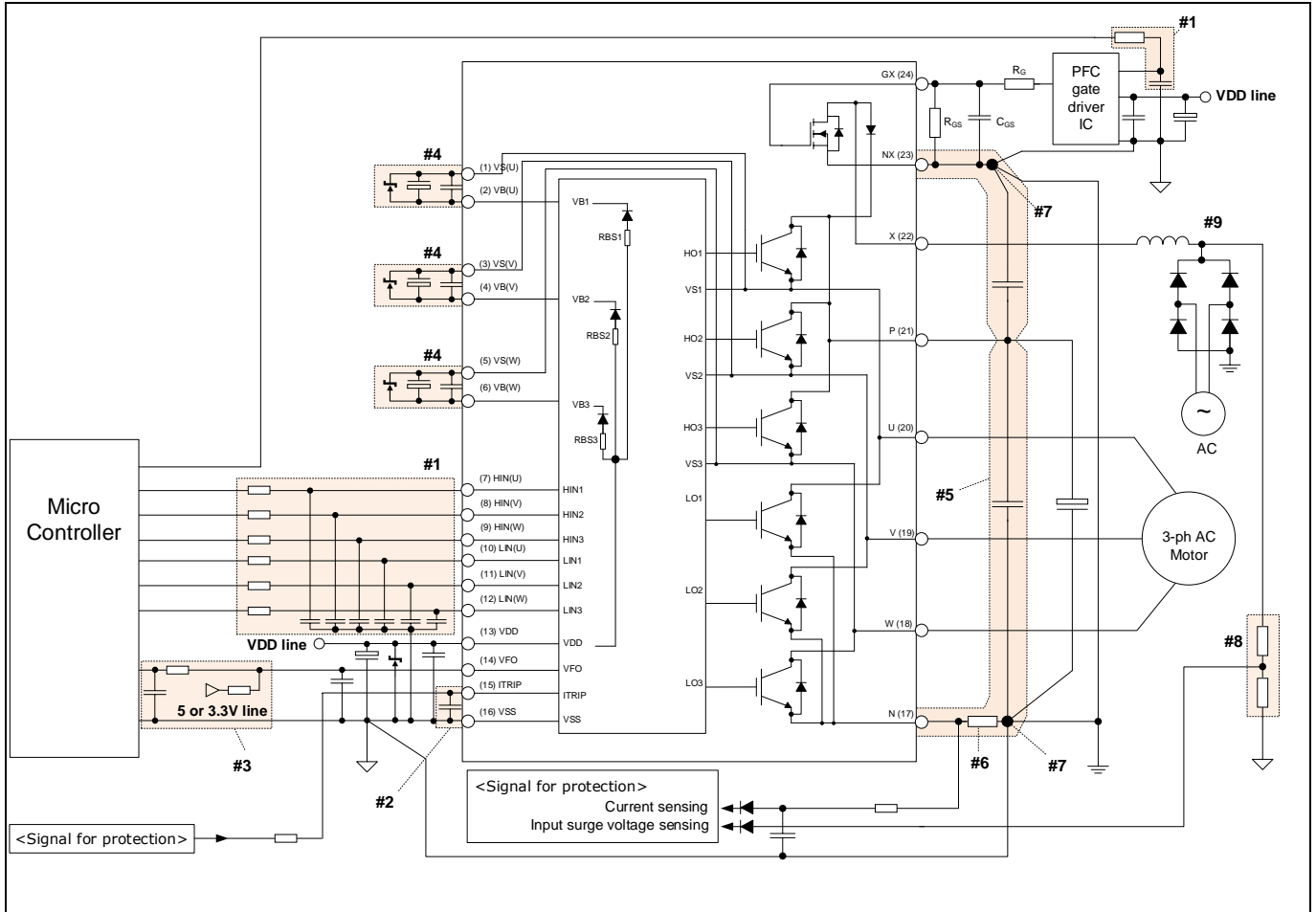


Figure 12 Typical application circuit

- #1 Input circuit
 - RC filter can be used to reduce input signal noise. (100 Ω, 1 nF)
 - The capacitors should be located close to the IPM (to V_{SS} terminal especially).
- #2 Itrip circuit
 - To prevent a mis operation of protection function, RC filter is recommended.
 - The capacitor should be located close to Itrip and V_{SS} terminals.
- #3 V_{F0} circuit
 - V_{F0} pin is open drain configuration. This terminal should be pulled up to the bias voltage of the 5 V/3.3 V through a proper resistor.
 - It is recommended that RC filter is placed close to the controller.
- #4 V_B-V_S circuit
 - Capacitors for high-side floating supply voltage should be placed close to V_B and V_S terminals.
- #5 Snubber capacitor
 - The wiring among the IPM, snubber capacitor and shunt resistors should be short as possible.
- #6 Shunt resistor

Application Guide

- SMD type shunt resistors are strongly recommended to minimize its internal stray inductance.
- #7 Ground pattern
 - Pattern overlap of power ground and signal ground should be minimized. The patterns should be connected at one end of shunt resistor only for the same potential.
- #8 Input surge voltage protection circuit
 - This protection circuit can be added to protect PFC MOSFET from excessive surge voltage.
- #9 Inrush current protection circuit
 - Proper inrush current protection circuit has to be considered.
 - Additional components such as thermistor, relay, or bypass diode may be required depending on the system design and the operating conditions including grid fluctuation.

12.2 Performance Chart

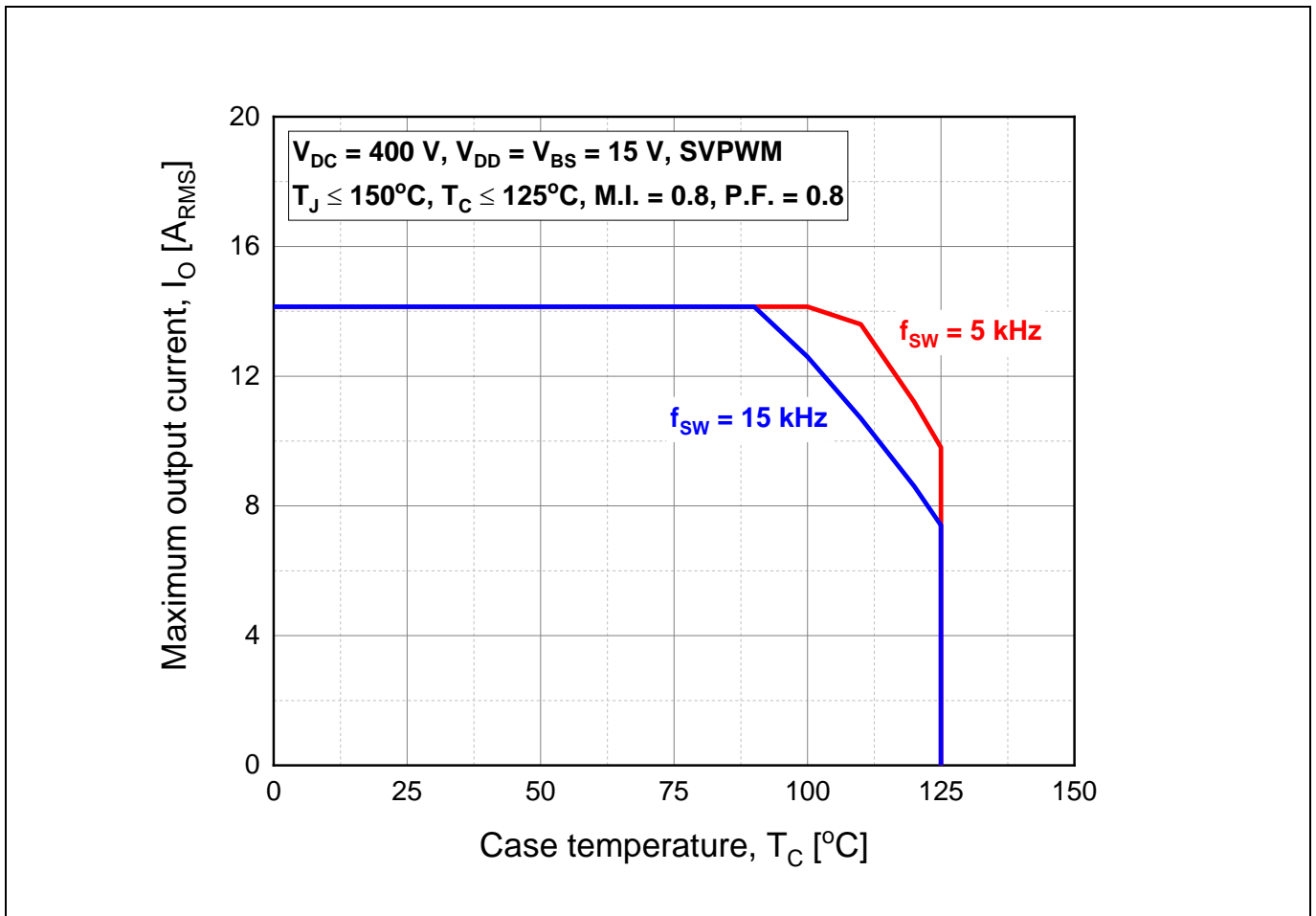


Figure 13 Maximum operating current SOA of inverter part¹

¹This maximum operating current SOA is just one of example based on typical characteristics for this product. It can be changed by each user’s actual operating conditions.

Package Outline

13 Package Outline

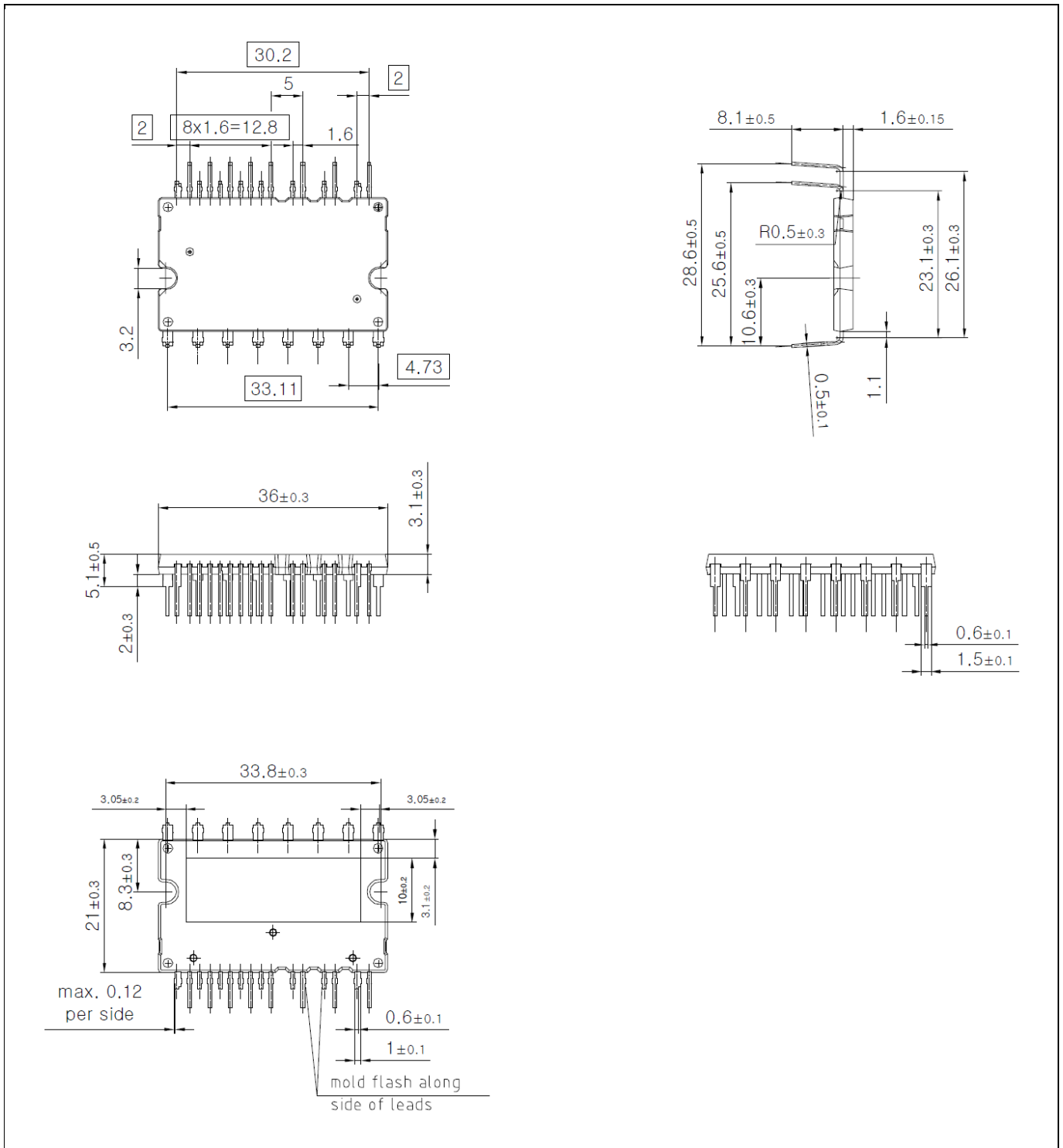


Figure 14 IM564-X6D

Package Outline

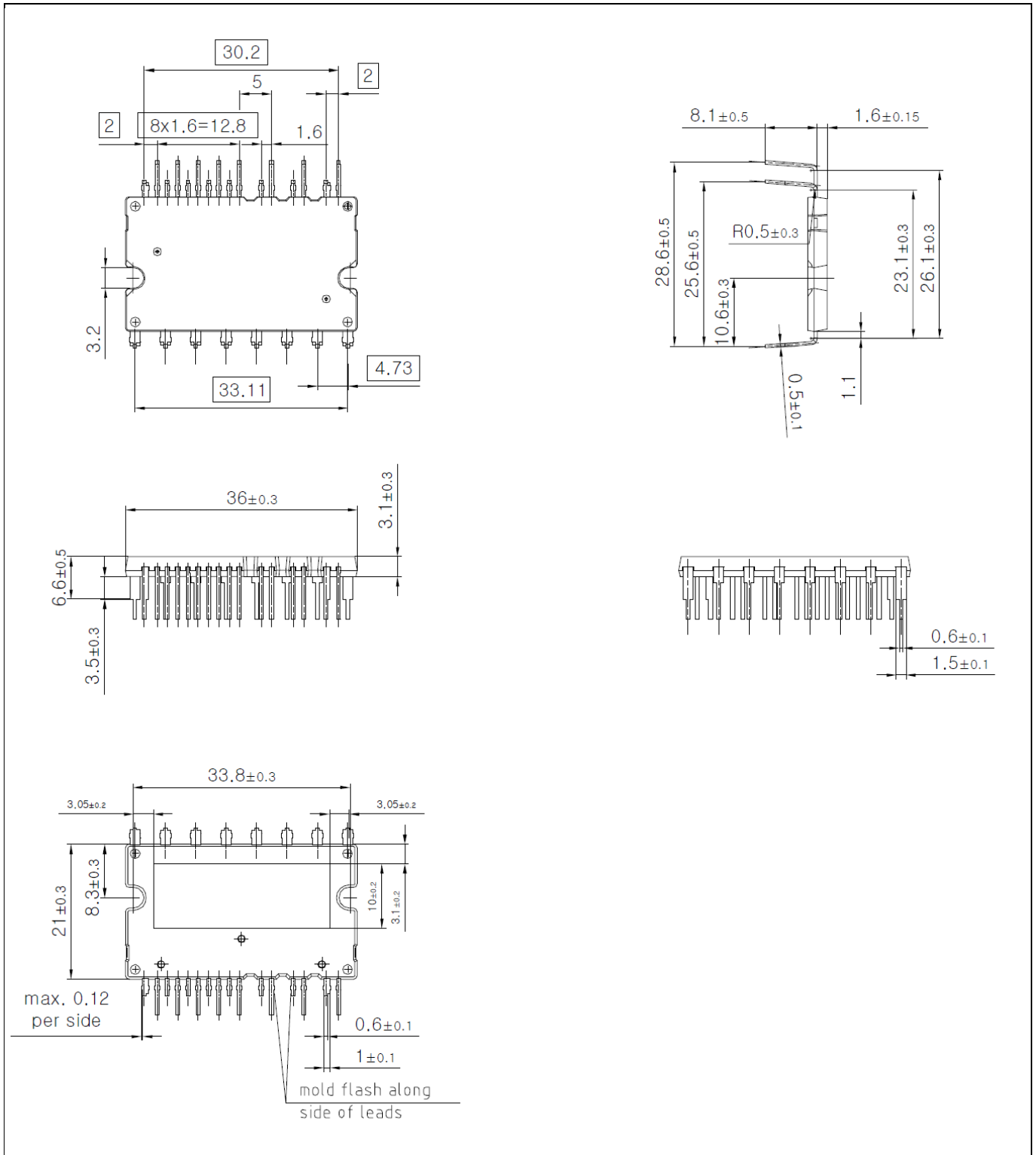


Figure 15 IM564-X6DS

Revision history

Revision history

Document version	Date of release	Description of changes
Version 2.0	2019-08-09	Initial Release
Version 2.1	2019-11-05	Added remark in Table 1 Corrected error in Figure 9
Version 2.2	2020-04-24	Corrected error in Figure 13 Updated Figure 14 and Figure 15
Version 2.3	2021-12-21	Updated Figure 12

Trademarks

All referenced product or service names and trademarks are the property of their respective owners.

Edition 2021-12-21

Published by

Infineon Technologies AG

81726 München, Germany

© 2021 Infineon Technologies AG.

All Rights Reserved.

Do you have a question about this document?

Email: erratum@infineon.com

Document reference

ifx1

IMPORTANT NOTICE

The information given in this document shall in no event be regarded as a guarantee of conditions or characteristics ("Beschaffenheitsgarantie").

With respect to any examples, hints or any typical values stated herein and/or any information regarding the application of the product, Infineon Technologies hereby disclaims any and all warranties and liabilities of any kind, including without limitation warranties of non-infringement of intellectual property rights of any third party.

In addition, any information given in this document is subject to customer's compliance with its obligations stated in this document and any applicable legal requirements, norms and standards concerning customer's products and any use of the product of Infineon Technologies in customer's applications.

The data contained in this document is exclusively intended for technically trained staff. It is the responsibility of customer's technical departments to evaluate the suitability of the product for the intended application and the completeness of the product information given in this document with respect to such application.

For further information on the product, technology, delivery terms and conditions and prices please contact your nearest Infineon Technologies office (www.infineon.com).

Please note that this product is not qualified according to the AEC Q100 or AEC Q101 documents of the Automotive Electronics Council.

WARNINGS

Due to technical requirements products may contain dangerous substances. For information on the types in question please contact your nearest Infineon Technologies office.

Except as otherwise explicitly approved by Infineon Technologies in a written document signed by authorized representatives of Infineon Technologies, Infineon Technologies' products may not be used in any applications where a failure of the product or any consequences of the use thereof can reasonably be expected to result in personal injury.

X-ON Electronics

Largest Supplier of Electrical and Electronic Components

Click to view similar products for [IGBT Modules category](#):

Click to view products by [Infineon manufacturer](#):

Other Similar products are found below :

[F3L400R07ME4_B22](#) [F4-50R07W2H3_B51](#) [FB15R06W1E3](#) [FB20R06W1E3_B11](#) [FD1000R33HE3-K](#) [FD400R33KF2C-K](#)
[FD401R17KF6C_B2](#) [FD-DF80R12W1H3_B52](#) [FF200R06YE3](#) [FF300R12KE4_E](#) [FF450R12ME4P](#) [FF600R12IP4V](#) [FP10R06W1E3_B11](#)
[FP20R06W1E3](#) [FP50R12KT3](#) [FP75R07N2E4_B11](#) [FS10R12YE3](#) [FS150R07PE4](#) [FS150R12PT4](#) [FS50R07N2E4_B11](#) [FZ1000R33HE3](#)
[FZ1800R17KF4](#) [DD250S65K3](#) [DF1000R17IE4](#) [DF1000R17IE4D_B2](#) [DF1400R12IP4D](#) [DF200R12PT4_B6](#) [DF400R07PE4R_B6](#)
[BSM75GB120DN2_E3223c-Se](#) [F3L300R12ME4_B22](#) [F3L75R07W2E3_B11](#) [F4-50R12KS4_B11](#) [F475R07W1H3B11ABOMA1](#)
[FD1400R12IP4D](#) [FD200R12PT4_B6](#) [FD800R33KF2C-K](#) [FF1200R17KP4_B2](#) [FF300R17KE3_S4](#) [FF300R17ME4_B11](#) [FF401R17KF6C_B2](#)
[FF650R17IE4D_B2](#) [FF900R12IP4D](#) [FF900R12IP4DV](#) [STGIF7CH60TS-L](#) [FP50R07N2E4_B11](#) [FS100R07PE4](#) [FS150R07N3E4_B11](#)
[FS150R17N3E4](#) [FS150R17PE4](#) [FS225R12KE4](#)