

iMOTION™ IMD111T/IMD112T - Smart driver for motor control

Motor controller with integrated high-voltage gate driver

IMD111T/IMD112T

Features

- Motion Control Engine (MCE) as a ready-to-use control solution for variable speed drives
- Integrated script engine for application control customization
- Integrated drive and system protection features
- Field oriented control (FOC) for permanent magnet synchronous motor (PMSM)
- Flexible space vector PWM for sinusoidal voltage control
- Current sensing via single or leg shunt
- Sensorless or Hall sensor operation (analog/digital Hall)
- Integrated analog comparators for over-current protection
- Built-in temperature sensor
- Power factor correction (PFC) control
- Flexible control input options: UART, Frequency, duty cycle or analog signal
- Certified drive safety functions according to IEC/UL 60730-1 'Class B'
- High voltage three phase gate driver with 600 V blocking voltage
- 15V supply voltage for gate driver
- Thin-film-SOI-technology with negative transient robustness
- Ultra fast integrated boot strap diodes
- Integrated 5 V voltage regulator for controller supply
- External 5 V output available
- Small LQFP-40 package with improved clearance & creepage
- Footprint derived from LQFP-48

Potential applications

- Small and major home appliances
- Fans, Pumps, Compressors
- General purpose variable speed drives

Product validation

Qualified for industrial applications according to the relevant tests of JEDEC47/20/22.

Description

Description

iMOTION™ IMD110-6 is a family of highly integrated ICs for the control of variable speed drives. It integrates a motor controller with a high voltage three phase gate driver and a voltage regulator.

The motor controller uses the Motion Control Engine (MCE) to create a ready-to-use solution to perform control of a permanent magnet synchronous motor (PMSM) providing the shortest time to market for any motor system at the lowest system and development cost. The integrated script engine allows to add application flexibility without interfering with the motor and PFC control algorithm.

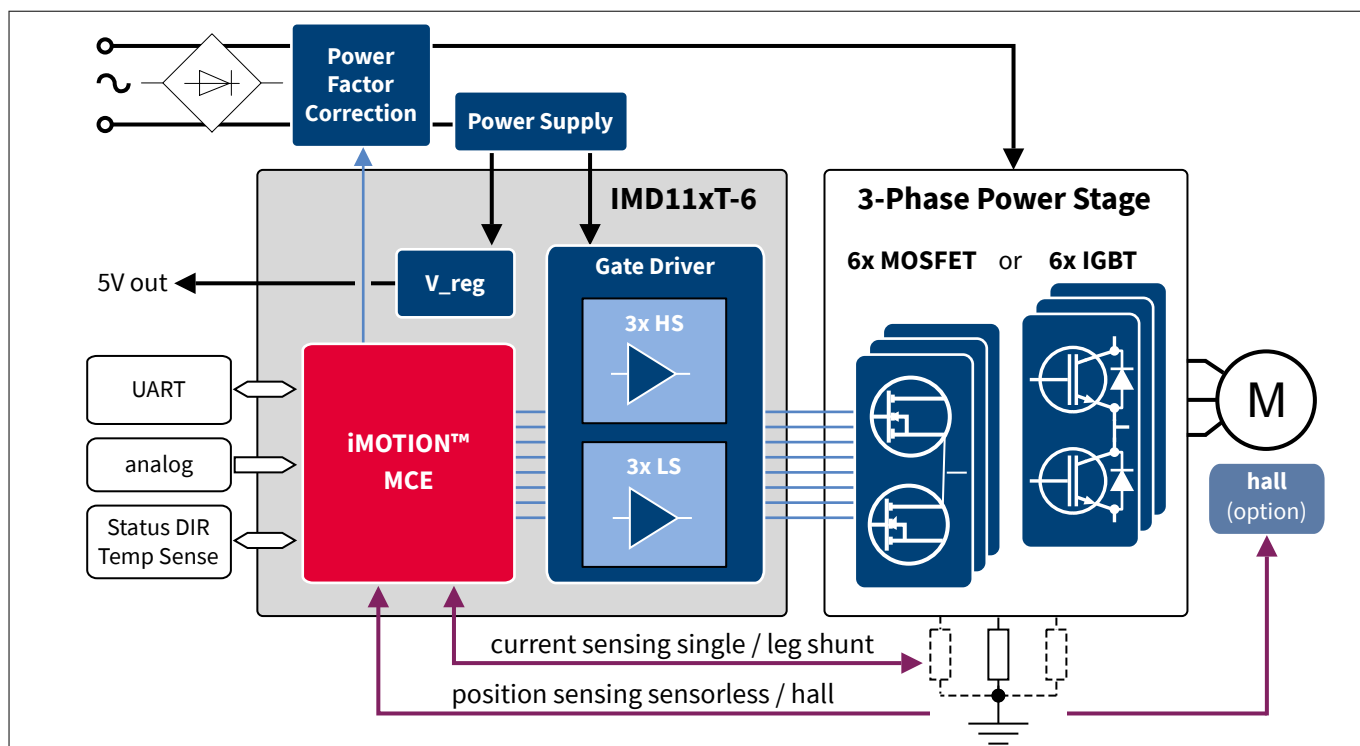


Figure 1

Ordering information

Product type	Control function integrated	Package
IMD111T-6F040	iMOTION™ Motor control	PG-LQFP-40-1
IMD112T-6F040	iMOTION™ Motor + PFC control	PG-LQFP-40-1

Table of contents

Table of contents

	Features	1
	Potential applications	1
	Product validation	1
	Description	2
	Table of contents	3
1	Block diagram reference	5
2	Pin configuration	6
2.1	Pin definitions and functions	6
2.2	Pin configuration drawing IMD111T	9
2.3	Pin configuration drawing IMD112T	10
3	Functional description	11
3.1	Overview	11
3.2	Motion Control Engine	11
3.3	Gate Driver	12
3.4	Low Side Supply (VCC, VSS and COM)	12
3.5	High Side Supplies (VB1,2,3 and VS1,2,3)	12
3.6	Low and High Side Outputs (LO1,2,3 and HO1,2,3)	13
3.7	Internal Voltage Regulator	13
3.8	Application diagrams	14
4	Electrical characteristics and parameters	15
4.1	General parameters	15
4.1.1	Parameter Interpretation	15
4.1.2	Absolute maximum ratings	15
4.1.3	Pin Reliability in Overload	16
4.1.4	Operating Conditions	18
4.2	DC characteristics	19
4.2.1	Input/Output Characteristics	19
4.2.2	Analog to Digital Converter (ADC)	21
4.2.3	Analog comparator characteristics	21
4.2.4	Power Supply Current	22
4.2.5	Flash Memory Parameters	22
4.2.6	Static parameters gate driver	23
4.2.7	Static parameters voltage regulator	25
4.3	AC characteristics	26
4.3.1	Testing Waveforms	26
4.3.2	On-Chip Oscillator Characteristics	26
4.3.3	Dynamic parameters gate driver	28

Table of contents

4.3.4	Timing diagrams	29
4.4	Motor Control Parameters	30
4.4.1	PWM Characteristics	30
4.4.2	Current Sensing	30
4.4.3	Fault Timing	31
4.5	Power Factor Correction (PFC) parameters	32
4.5.1	Boost PFC characteristics	32
4.5.2	Totem Pole PFC characteristics	32
4.5.3	PFC Current Sensing	32
4.6	Control Interface Parameters	33
4.6.1	Control Input Interfaces	33
4.6.2	Serial Interface Parameters	33
4.6.2.1	UART Interface	33
4.6.3	Over Temperature Input	34
4.6.4	Pulse Output	34
5	Device and package specifications	35
5.1	Quality declaration	35
5.2	SBSL and Chip-IDs	35
5.3	Thermal considerations	35
5.4	Package Outline PG-LQFP-40-1	36
5.5	Part marking information	37
	Revision history	37
	Disclaimer	38

1 Block diagram reference

1 Block diagram reference

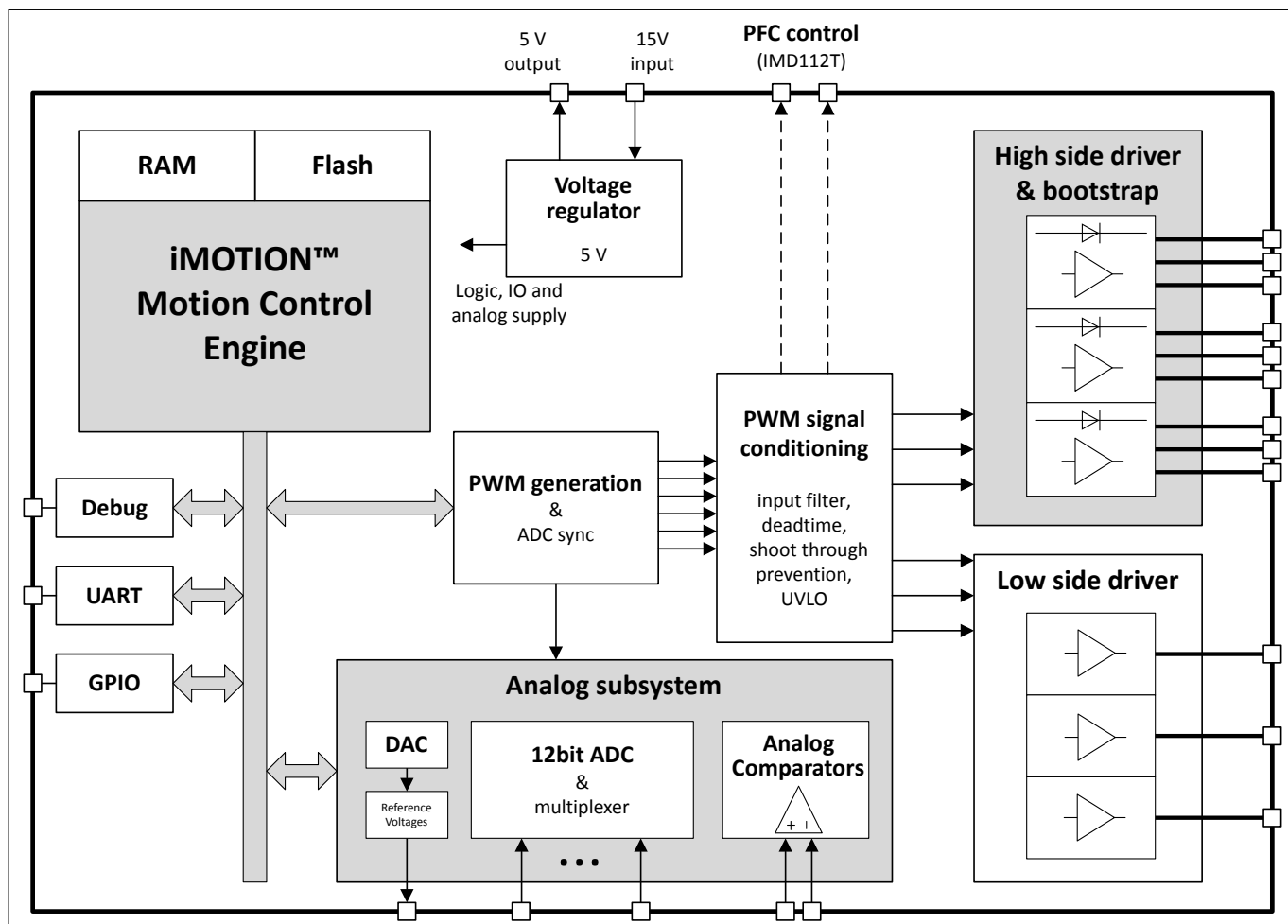


Figure 2 Block diagram reference

2 Pin configuration

2 Pin configuration

The pin type is specified as follows:

- I - digital input
- O - digital output
- AIN - analog input
- P - power

Figure 3 shows the pad structure and pin function control configuration for the input and output pins. The pin function, type and pull up/pull down circuit configuration are all controlled by the Motion Control Engine. Digital input, output or analog input signals that are not assigned to MCE functions can be assigned to the script engine. The gate driver outputs are controlled by MCE PWM signals internally connected to the gate driver inputs.

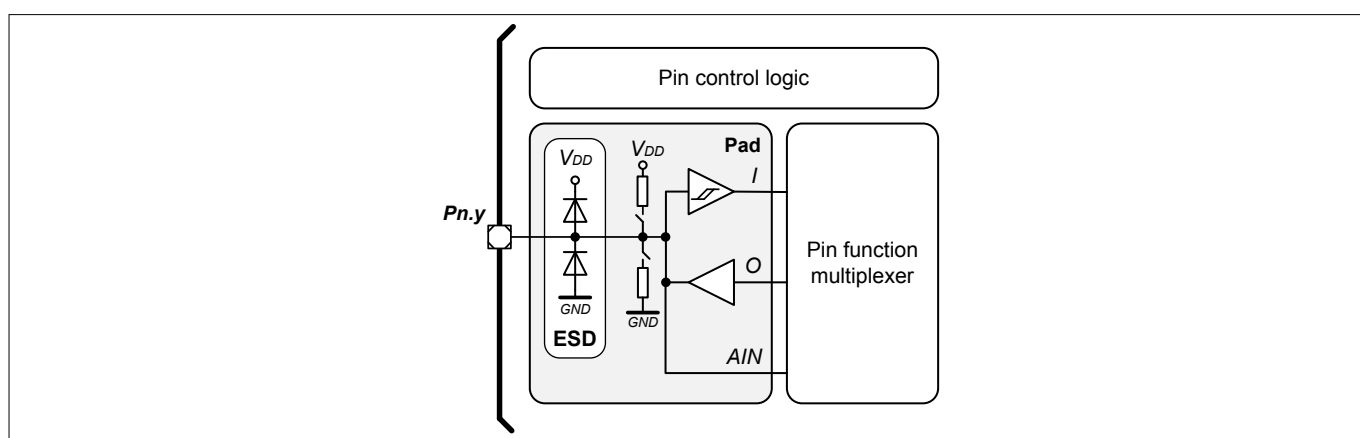


Figure 3 Pin Pad and Function Configuration

The pin function table given below refers to the standard configuration. The pin control or interface functions are defined by the version of software downloaded to the device and may change. Some of the input pins can be configured to have pull up or pull down resistor and some output pins can be configured to push-pull or open drain. This is described in the respective software reference manual.

Pins can serve multiple functions and have to be configured accordingly. Please also refer to the respective pin configuration drawings in this data sheet and the description in the MCE software reference manual.

Pins that do not have any signal assigned are reserved for future use. These pins should be left unconnected and neither be connected to ground nor to the positive supply.

Note: All required reference voltages are generated by an internal DAC, therefore the pins like REFU, REFV, and REFW only require a blocking capacitor.

2.1 Pin definitions and functions

Table 1 Pin definitions and functions

Signal	Type	IMD111T	IMD112T	Description
Supply				
VCC1	Power	8	8	Control supply voltage input to the voltage regulator
VCC	Power	22	22	Gate drive supply voltage
VDD	Power	5	5	Digital controller voltage (this 5V LDO output must be blocked with a ceramic capacitor)
VSS	Power	6, 7, 23	6, 7, 23	Ground

2 Pin configuration

Table 1 Pin definitions and functions (continued)

Signal	Type	IMD111T	IMD112T	Description
Motor control				
COM	P	9	9	Low side gate driver return
LO1	O	12	12	Low side gate driver output - phase 1
LO2	O	11	11	Low side gate driver output - phase 2
LO3	O	10	10	Low side gate driver output - phase 3
VS1	P	19	19	High side gate driver return - phase 1
HO1	O	20	20	High side gate driver output - phase 1
VB1	P	21	21	High side gate driver positive power supply - phase 1
VS2	P	16	16	High side gate driver return - phase 2
HO2	O	17	17	High side gate driver output - phase 2
VB2	P	18	18	High side gate driver positive power supply - phase 2
VS3	P	13	13	High side gate driver return - phase 3
HO3	O	14	14	High side gate driver output - phase 3
VB3	P	15	15	High side gate driver positive power supply - phase 3
VDC	AIN	36	36	DC bus sensing input
ISS/IU	AIN	40	40	Current sense input single shunt / phase U
IV	AIN	37	37	Current sense input phase V / analog input
IW	AIN	33	33	Current sense input phase W / analog input
REFU ¹⁾	O	39	39	Itrip single shunt/phase U reference DAC output
REFV	AIN	38	38	Itrip phase V reference / analog input
REFW	AIN	32	32	Itrip phase W reference / analog input
Hall sensor inputs				
AHALL1+	AIN	32	32	Analog Hall Element input 1 (+)
AHALL1-	AIN	33	33	Analog Hall Element input 1 (-)
AHALL2+	AIN	38	38	Analog Hall Element input 2 (+)
AHALL2-	AIN	37	37	Analog Hall Element input 2 (-)
HALL1	I	28	28	Digital Hall sensor input 1
HALL2	I	29	29	Digital Hall sensor input 2
HALL3	I	30	30	Digital Hall sensor input 3
Power factor correction				
PFCG0	O	-	24	PFC gate drive 0
PFCG1	O	-	25	PFC gate drive 1 (totem-pole PFC only)
IPFC	AIN	-	34	PFC current sensing
PFCREF	AIN	-	3	PFC Itrip comparator reference input
PFCITRIP	AIN	-	4	PFC Itrip comparator input

¹ This pin must have a filter capacitor connected to ground

2 Pin configuration

Table 1 Pin definitions and functions (continued)

Signal	Type	IMD111T	IMD112T	Description
VAC1	AIN	-	2	VAC sense input line 1
VAC2	AIN	-	1	VAC sense input line 2
Interface				
DUTYFREQ	I	29	29	Duty/Frequency input
VSP	AIN	31	31	Analog speed reference input
PGOUT	O	25	25	Pulse output
PARAM	AIN	34	-	Parameter table selection, analog
NTC	AIN	35	35	External thermistor input
DIR	I	24	30	CW/CCW rotation direction input
RXD0	I	26	26	Serial port 0, device programming, receive input
TXD0	O	27	27	Serial port 0, device programming, transmit output
RXD1	I	1	-	Serial port 1, user communication, receive input
TXD1	O	2	-	Serial port 1, user communication, transmit output
Scripting²⁾				
GPIO1	I/O	25	25	Digital I/O
GPIO2	I/O	28	28	Digital I/O
GPIO3	I/O	29	29	Digital I/O
GPIO4	I/O	30	-	Digital I/O
GPIO6	I/O	24	30	Digital I/O
GPIO7	I/O	1	-	Digital I/O
GPIO8	I/O	2	-	Digital I/O
GPIO9	I/O	3	-	Digital I/O
GPIO10	I/O	4	-	Digital I/O
AIN0	AIN	31	31	Analog input
AIN1	AIN	32	32	Analog input
AIN2	AIN	33	33	Analog input
AIN3	AIN	34	-	Analog input
AIN4	AIN	35	35	Analog input
AIN7	AIN	38	38	Analog input
AIN10	AIN	1	-	Analog input
AIN11	AIN	2	-	Analog input

² GPIO29 is an internal MCE output connected to the gate driver enable input

2 Pin configuration

2.2 Pin configuration drawing IMD111T

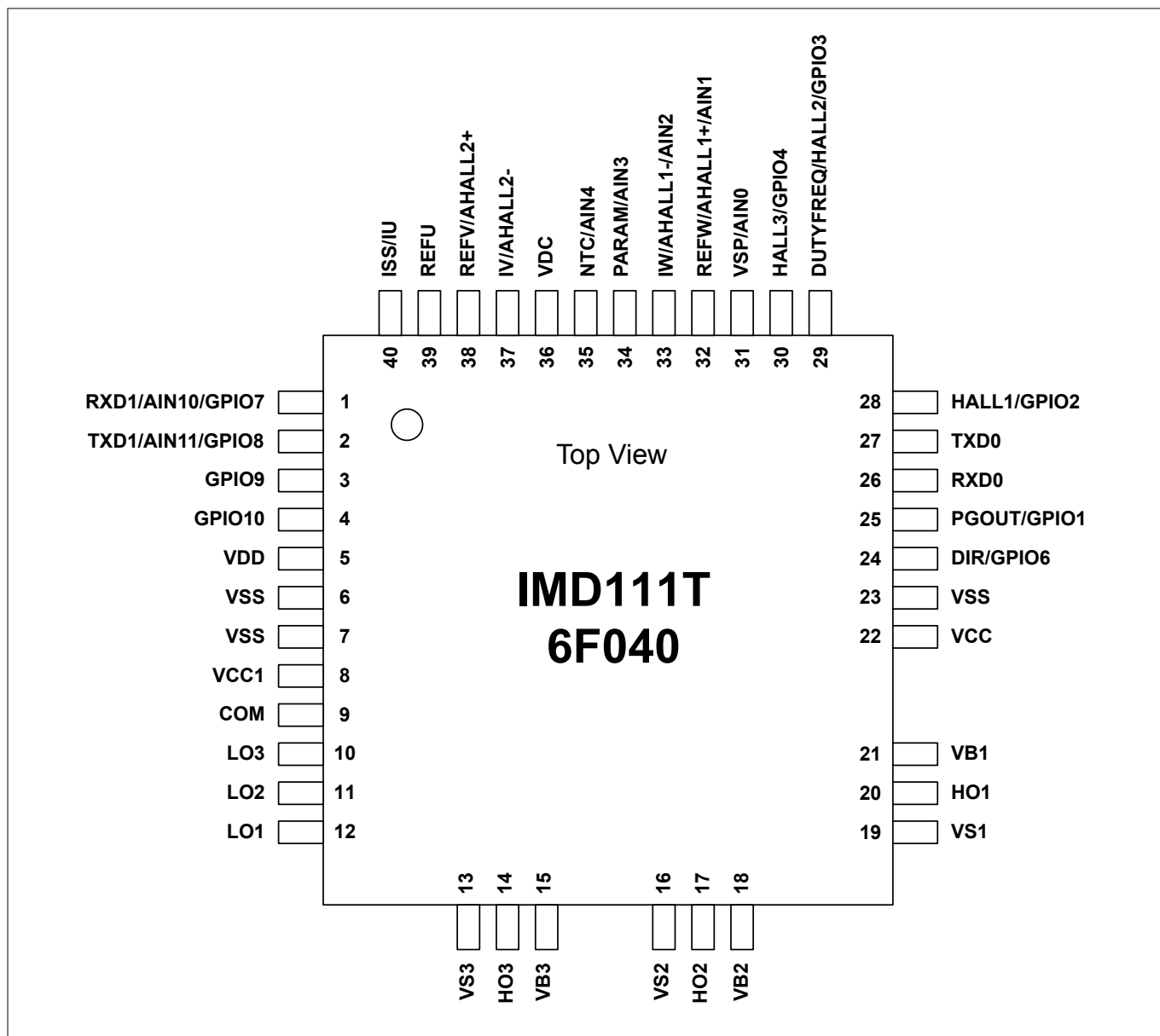


Figure 4 **IMD111T-6F040**

Pins that do not have any signal assigned are reserved for future use. Unused pins should be left unconnected and neither be connected to ground nor to the positive supply.

2 Pin configuration

2.3 Pin configuration drawing IMD112T

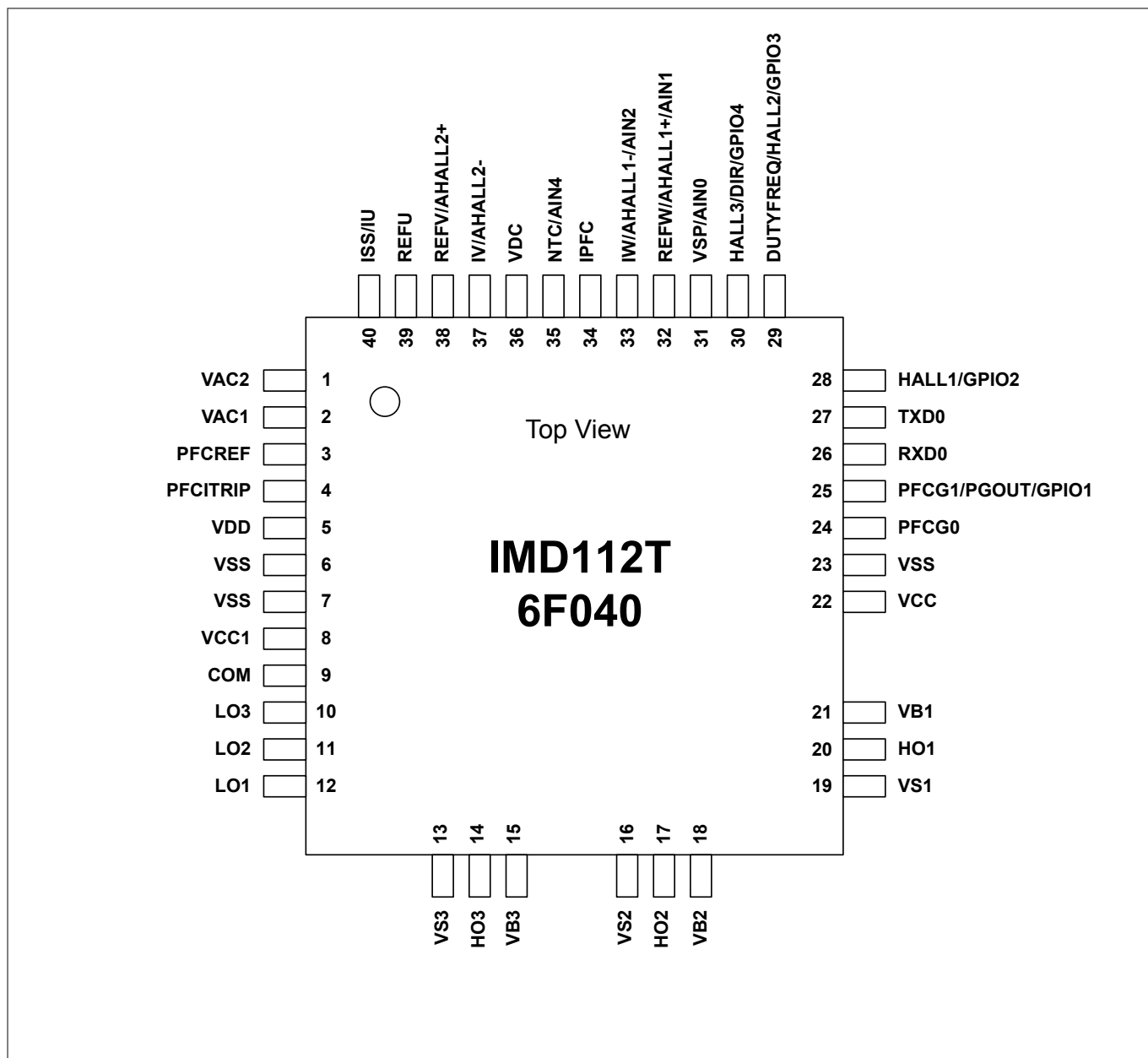


Figure 5 **IMD112T-6F040**

Pins that do not have any signal assigned are reserved for future use. Unused pins should be left unconnected and neither be connected to ground nor to the positive supply.

3 Functional description

3 Functional description

3.1 Overview

The IMD111T/IMD112T integrates a controller, a high-voltage three-phase gate driver and a voltage regulator in a single package. The controller PWM outputs are internally connected to the gate driver inputs. Two controller digital pins are also connected to the gate driver enable input and fault output of the gate driver..

The integrated voltage regulator generates the controller 5V supply and can share the same 15V supply rail as the gate driver.

The package PG-LQFP-40-1 is footprint compatible to an industry standard LQFP-48 with pins removed for improved clearance and creepage.

3.2 Motion Control Engine

iMOTION™ IMD111T/IMD112T use the latest generation of the Motion Control Engine (MCE). The MCE is a ready-to-use solution for variable speed drives and contains all control functions to perform closed loop control of a three phase motor. Optionally, control of a power factor correction (PFC) is provided running in parallel to the motor.

Multiple configurable protections like over- and under-voltage, over current or rotor lock are integrated protecting the power stage as well as the motor itself.

iMOTION™ IMD111T/IMD112T supports the use in applications requiring functional safety according to IEC/UL 60730-1 ('Class B')

Using the MCE does not require any software development. Instead the MCE is configured for the concrete power stage configuration and motor type using PC based tools. Following parameter creation the behavior of the motor control loop can be monitored and fine tuned in real time. The respective tools are available for download from the iMOTION™ web pages.

For improved application flexibility the MCE contains a scripting engine running user scripts in the background task. Writing, downloading and monitoring scripts is supported by the above mentioned tools.

The MCE is driven by an internal temperature compensated oscillator that supports peripheral operation at 96 MHz and data processing at 48 MHz.

This data sheet provides all electrical, mechanical, thermal and quality parameters of the IMD111T/IMD112T. A more detailed description of the features and functionality of the MCE can be found in the respective reference manual. The MCE software images are made available for download from the Infineon web site. A special secure boot algorithm assures that these MCE software images can only be installed onto the matching hardware derivative, i.e. the product variant for which the software has been tested for.

3 Functional description

3.3 Gate Driver

The integrated gate driver provides three high side and three low side drivers to control power devices like MOS-transistors or IGBTs in 3-phase systems such as variable speed drives. The gate drivers are based on SOI-technology which provides excellent ruggedness to transient voltages. The devices do not have parasitic thyristor structures so parasitic latch-up does not occur for any temperature or voltage condition.

The six independent drivers are controlled by the MCE PWM generator through internal connections. The device includes an under-voltage detection unit that monitors the driver voltage supplies. An under-voltage condition causes the driver to shut off all six switches. The error signal provided by the driver is internally connected to the MCE controller GK input pin to trip the MCE PWM generator. The gate driver enable input EN is internally connected to the MCE controller which allows the SW to manage the device power up sequencing.

The typical output currents can be up to 165 mA for pull-up and 375 mA for pull down. The MCE PWM generator introduces a deadtime between the high and low side signals but the gate driver introduces a fail safe 310 ns minimum dead time. The monolithic integrated bootstrap diode structures between pins VCC and VBx can be used to create the power supply for the high side circuits.

3.4 Low Side Supply (VCC, VSS and COM)

In the figure below, VCC is the low side supply for the gate driver which powers both the input logic and the low side output power stage. The under-voltage detection circuit Input logic is referenced to VSS ground. Output power stage is referenced to COM ground. COM ground is floating respect to VSS ground with a maximum range of operation of +/-5.7 V. A back-to-back zener structure protects grounds from noise spikes.

The under-voltage circuit enables the device to operate when the VCC supply voltage is higher than V_{CCUV+} . The IC shuts down all the gate drivers power outputs, when the VCC supply voltage is below V_{CCUV-} . This prevents the external power switches from critically low gate voltage levels during on-state and therefore from excessive power dissipation.

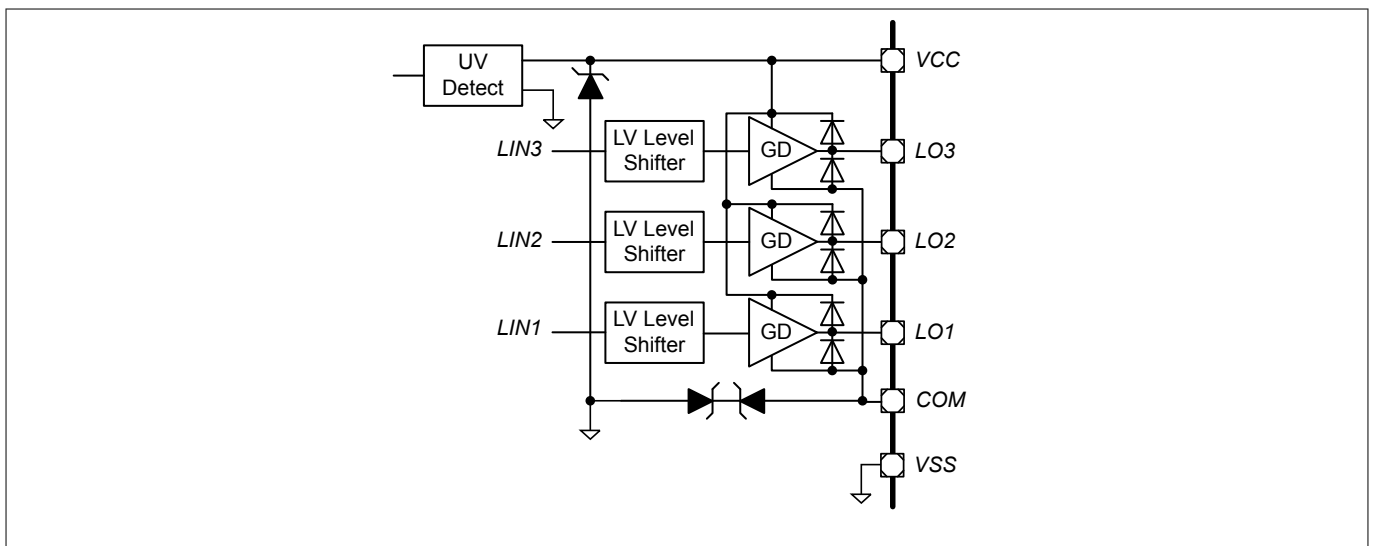


Figure 6 Low Side Driver circuit

3.5 High Side Supplies (VB1,2,3 and VS1,2,3)

Figure 7 shows the high side gate driver output circuit. VB to VS is the supply voltage supply for the high side gate driver. Each of the three high side circuits can float with respect to VSS following the external high side power device emitter/source voltage. The floating driver stage can be supplied by bootstrap topology using the internal diode connected between VB and VCC.

The device operating area as a function of the supply voltage is given in the **Timing diagrams** section under AC characteristics.

3 Functional description

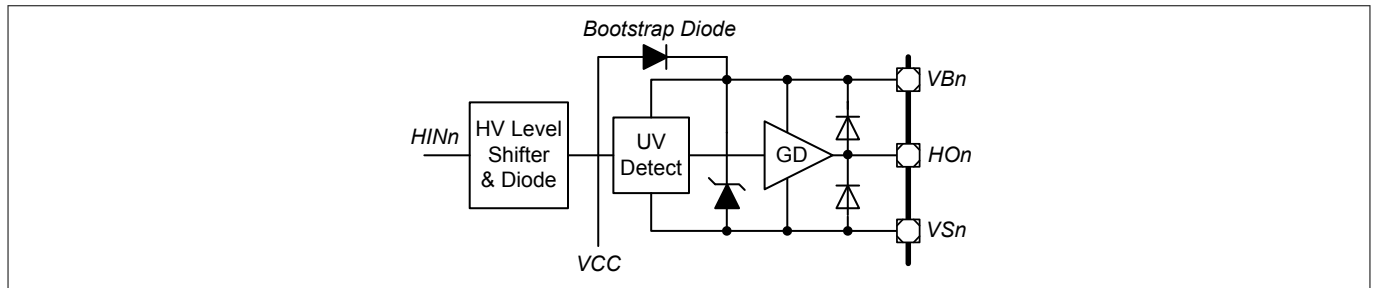


Figure 7 High Side Driver circuit

3.6 Low and High Side Outputs (LO1,2,3 and HO1,2,3)

Low side and high side power outputs are specifically designed for pulse operation such as gate drive of IGBT and MOSFET devices. Low side outputs (i.e. LO1,2,3) are state triggered by the respective inputs, while high side outputs (i.e. HO1,2,3) are edge triggered by the respective inputs. In particular, after an under voltage condition of the VBS supply, a new turn-on signal (edge) is necessary to activate the respective high side output, while after a under voltage condition of the VCC supply, the low side outputs switch to the state of their respective inputs.

3.7 Internal Voltage Regulator

The IMD111T/IMD112T contains a linear voltage regulator that can be used to generate the controller supply voltage from the gate driver supply. The regulator can also supply external components like sensors. The maximum current capability must be respected.

In order to maintain the stability of the control loop the regulator output requires an output capacitor CQ of at least $3.3 \mu F$ with a maximum permissible ESR of 2Ω . It is recommended to use a multi layer ceramic capacitor for CQ with a nominal capacitance of $4.7 \mu F$. Aluminum electrolytic as well as tantalum capacitors do not cover the required ESR range over the full operating temperature range. At the input of the regulator an input capacitor is necessary for compensating line influences (100 nF ceramic capacitor recommended). A resistor of approx. 1Ω in series with CI can dampen oscillations that could occur due to the input inductivity and the input capacitor. If the regulator is sourced via long input lines of several meters it is recommended to place an additional electrolytic capacitor $\geq 47 \mu F$ at the input.

In case the integrated controller is supplied from an external source, the internal regulator can be disabled by connecting the respective input to ground.

3 Functional description

3.8 Application diagrams

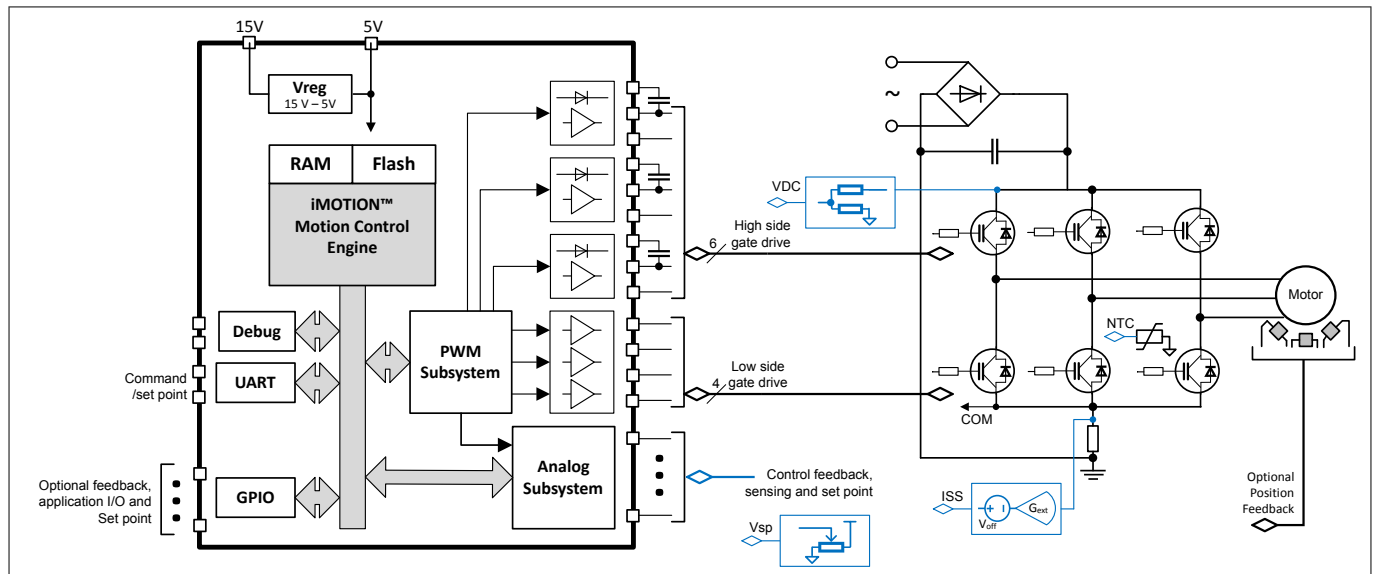


Figure 8 Application diagram single shunt

4 Electrical characteristics and parameters

4 Electrical characteristics and parameters

4.1 General parameters

4.1.1 Parameter Interpretation

The parameters listed in this section represent partly the characteristics of the IMD111T/IMD112T and partly its requirements on the system. To aid interpreting the parameters easily when evaluating them for a design, they are indicated by the abbreviations in the “Symbol” column:

- **CC**
Such parameters indicate **C**ontroller **C**haracteristics, which are distinctive feature of the IMD111T/IMD112T and must be regarded for a system design.
- **SR**
Such parameters indicate **S**ystem **R**equirements, which must be provided by the application system in which the IMD111T/IMD112T is designed in.

4.1.2 Absolute maximum ratings

Stresses above the values listed under “Absolute Maximum Ratings” may cause permanent damage to the device. This is a stress rating only and functional operation of the device at these or any other conditions above those indicated in the operational sections of this specification is not implied. Exposure to absolute maximum rating conditions may affect device reliability.

Table 2 Absolute maximum ratings

Parameter	Symbol	Values		Unit	Note or Test Condition
		Min.	Max.		
Ambient temperature	T_A SR	-40	105	°C	
Junction temperature	T_J SR	-40	115	°C	
Storage temperature	T_{ST} SR	-55	125	°C	
Lead temperature (soldering, 30 seconds)	T_L	---	260	°C	
Control supply voltage	V_{CC1}	-42	45	V	
Digital Controller voltage	V_{DD}	-0.3	6	V	
Controller digital and analog pin voltage	V_{ID}	-0.3	$V_{DD}+0.3$	V	
Input current on any controller pin during overload condition	I_{IN}	-10	10	mA	
Absolute sum of all controller input currents during overload condition	ΣI_{IN}	-50	50	mA	

4 Electrical characteristics and parameters

Table 2 Absolute maximum ratings (continued)

Parameter	Symbol	Values		Unit	Note or Test Condition
		Min.	Max.		
High side return offset voltage ³⁾	V _S	V _{CC} -V _{BS} -6	600	V	Voltage on high side gate driver return pins relative to the COM pin
High side return offset voltage (t _p < 500 ns, ³⁾)	V _S	V _{CC} -V _{BS} -50		V	
High side supply offset voltage ³⁾	V _B	V _{CC} - 6	620	V	Voltage on high side gate driver supply pins relative to the COM pin
High side supply offset voltage (t _p < 500 ns, ³⁾)	V _B	V _{CC} - 50		V	
High side floating supply voltage (V _B vs. V _S) (internally clamped)	V _{BS}	-1	20	V	
High side output voltage (V _{HO} vs. V _S)	V _{HO}	-0.5	V _B + 0.5	V	
Gate drive low side supply voltage (internally clamped)	V _{CC}	-1	20	V	
Low side supply voltage (V _{CC} vs. V _{COM})	V _{CCCOM}	-0.5	25	V	
Gate driver ground	V _{COM}	-5.7	5.7	V	relative to V _{SS}
Low side output voltage (V _{LO} vs. V _{COM})	V _{LO}	-0.5	V _{COM} + 0.5	V	
Offset voltage slew rate ⁴⁾	dV _S /dt	-	50	V/ns	

Note: Characterized, not tested at manufacturing.

Note: Voltages referenced to V_{SS} if not stated otherwise

4.1.3 Pin Reliability in Overload

When receiving signals from higher voltage devices, low-voltage devices experience overload currents and voltages that go beyond their own IO power supplies specification.

The table below defines overload conditions that will not cause any negative reliability impact if all the following conditions are met:

³ In case V_{CC} > V_B there is an additional power dissipation in the internal bootstrap diode between pins V_{CC} and V_B. Insensitivity of bridge output to negative transient voltage up to -50V is not subject to production test – verified by design / characterization.

⁴ Not subject of production test, verified by characterization

4 Electrical characteristics and parameters

- full operation life-time is not exceeded
- **Operating Conditions** are met for
 - pad supply levels (V_{DD})
 - temperature

If a pin current is outside of the **Operating Conditions** but within the overload conditions, then the parameters of this pin as stated in the Operating Conditions can no longer be guaranteed. Operation is still possible in most cases but with relaxed parameters.

Note: An overload condition on one or more pins does not require a reset.

Note: A series resistor at the pin to limit the current to the maximum permitted overload current is sufficient to handle failure situations like short to battery.

Table 3 Overload Parameters

Parameter	Symbol	Values			Unit	Note or Test Condition
		Min.	Typ.	Max.		
Input current on analog port pins during overload condition	I_{OVA} SR	-3	-	3	mA	
Input current on any port pin during overload condition	I_{OV} SR	-5	-	5	mA	
Absolute sum of all input currents during overload condition	I_{OVS} SR	-	-	25	mA	

Figure 9 shows the path of the input currents during overload via the ESD protection structures. The diodes against V_{DD} and ground are a simplified representation of these ESD protection structures.

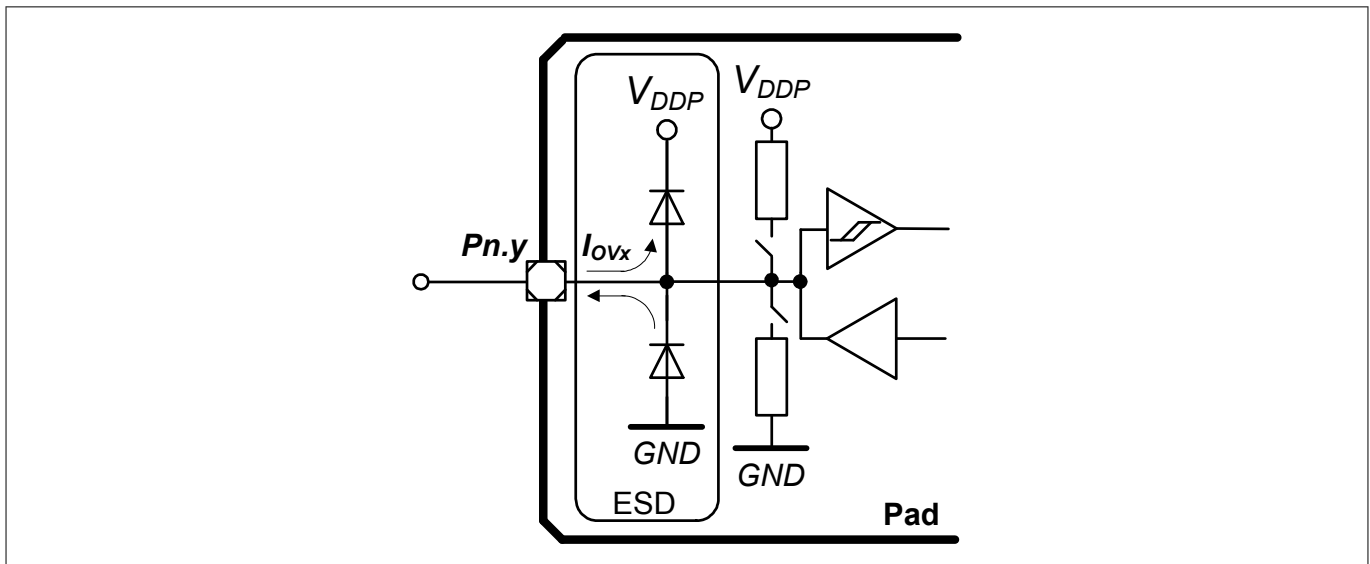


Figure 9 Input Overload Current via ESD structures

Table 4 and **Table 5** list input voltages that can be reached under overload conditions. Note that the absolute maximum input voltages as defined in the **Absolute maximum ratings** must not be exceeded during overload.

4 Electrical characteristics and parameters

Table 4 PN-Junction Characteristics for positive Overload

Pad Type	$I_{OV} = 5 \text{ mA}$
Standard, High-current, AN/DIG_IN	$V_{IN} = V_{DD} + (0.3 \dots 0.5) \text{ V}$ $V_{AIN} = V_{DD} + 0.5 \text{ V}$ $V_{AREF} = V_{DD} + 0.5 \text{ V}$

Table 5 PN-Junction Characteristics for negative Overload

Pad Type	$I_{OV} = 5 \text{ mA}$
Standard, High-current, AN/DIG_IN	$V_{IN} = V_{SS} - (0.3 \dots 0.5) \text{ V}$ $V_{AIN} = V_{SS} - 0.5 \text{ V}$ $V_{AREF} = V_{SS} - 0.5 \text{ V}$

4.1.4 Operating Conditions

The following operating conditions must not be exceeded in order to ensure correct operation and reliability of the IMD111T/IMD112T. All parameters specified in the following tables refer to these operating conditions, unless noted otherwise.

Table 6 Recommended Operating Conditions

Parameter	Symbol	Values			Unit	Note or Test Condition
		Min.	Typ.	Max.		
Ambient Temperature	T_A SR	-40	-	105	°C	
Junction temperature	T_J SR	-40	-	115	°C	
Positive DC Bus Input Voltage	V_{DCP} SR	12	-	400	V	
Gate Driver High Side Floating Supply Voltage	$V_{B1,2,3}$ SR	$V_S + 5$	-	$V_S + 18$	V	
Gate Driver Low Side Supply Voltage	V_{CC} SR	12	-	16.5		
Digital supply voltage	V_{DD} SR	3.0	3.3	5.5	V	Internal voltage regulator disabled
Voltage regulator input voltage	V_{CC1} SR	5.5	-	20	V	

4 Electrical characteristics and parameters

4.2 DC characteristics

4.2.1 Input/Output Characteristics

The table below provides the characteristics of the input/output pins of the controller.

Note: These parameters are not subject to production test, but verified by design and/or characterization.

Note: Unless otherwise stated, input DC and AC characteristics, including peripheral timings, assume that the input pads operate with the standard hysteresis.

Table 7 Input/Output Characteristics (Operating Conditions apply)

Parameter	Symbol		Limit Values		Unit	Test Conditions
			Min.	Max.		
Input low voltage on port pins (Standard Hysteresis)	V_{ILPS}	SR	–	$0.19 \times V_{DD}$	V	CMOS Mode
Input high voltage on port pins (Standard Hysteresis)	V_{IHPS}	SR	$0.7 \times V_{DD}$	–	V	CMOS Mode
Input low voltage on port pins (Large Hysteresis, scripting pins only)	V_{ILPL}	SR	–	$0.08 \times V_{DD}$	V	CMOS Mode
Input high voltage on port pins (Large Hysteresis, scripting pins only)	V_{IHPL}	SR	$0.85 \times V_{DD}$	–	V	CMOS Mode
Output low voltage on port pins	V_{OLP}	CC	–	1.0	V	$I_{OL} = 11 \text{ mA (5 V)}$ $I_{OL} = 7 \text{ mA (3.3 V)}$
			–	0.4	V	$I_{OL} = 5 \text{ mA (5 V)}$ $I_{OL} = 3.5 \text{ mA (3.3 V)}$
Output high voltage on port pins	V_{OHP}	CC	$V_{DD} - 1.0$	–	V	$I_{OH} = -10 \text{ mA (5 V)}$ $I_{OH} = -7 \text{ mA (3.3 V)}$
			$V_{DD} - 0.4$	–	V	$I_{OH} = -4.5 \text{ mA (5 V)}$ $I_{OH} = -2.5 \text{ mA (3.3 V)}$
Rise/fall time on standard pad	t_R, t_F	CC	–	12	ns	50 pF @ 5 V
			–	15	ns	50 pF @ 3.3 V.
Pin capacitance (digital inputs/outputs)	C_{IO}	CC	–	10	pF	
Pull-up/-down resistor on port pins (if enabled in software)	R_{PUP}	CC	20	50	k Ω	$V_{IN} = V_{SS}$
Input leakage current ⁵⁾	I_{OZP}	CC	-1	1	μA	$0 < V_{IN} < V_{DD}$,

⁵⁾ An additional error current (I_{INJ}) will flow if an overload current flows through an adjacent pin.

4 Electrical characteristics and parameters

Table 7 Input/Output Characteristics (Operating Conditions apply) (continued)

Parameter	Symbol		Limit Values		Unit	Test Conditions
			Min.	Max.		
						T_A 105°C
Maximum current per pin standard pin	I_{MP}	SR	-10	11	mA	–
Maximum current into V_{DD} / out of V_{SS}	I_{MVDD} / I_{MVSS}	SR	–	260	mA	

4 Electrical characteristics and parameters

4.2.2 Analog to Digital Converter (ADC)

The following table shows the Analog to Digital Converter (ADC) characteristics. This specification applies to all analog input including the analog Hall sensor interface input (AHALLx+/AHALLx-, where x=1,2) as given in the pin configuration list.

Note: These parameters are not subject to production test, but verified by design and/or characterization.

Table 8 ADC Characteristics (Operating Conditions apply)⁶⁾

Parameter	Symbol	Values			Unit	Note or Test Condition
		Min.	Typ.	Max.		
Supply voltage range	V_{DD} SR	3.0	–	5.5	V	
Analog input voltage range	V_{AIN} SR	$V_{SS}-0.05$	–	$V_{DD}+0.05$	V	
Conversion time	t_{C12} CC	–	1.0	–	μs	Defined by SW
Total capacitance of an analog input	C_{AINT} CC	–	–	10	pF	
Sample time	t_{sample} CC	–	333	–	ns	Defined by SW
RMS noise	EN_{RMS} CC	–	1.5	–	LSB12	
DNL error	EA_{DNL} CC	–	±2.0	–	LSB12	
INL error	EA_{INL} CC	–	±4.0	–	LSB12	
Gain error	EA_{GAIN} CC	–	±0.5	–	%	
Offset error	EA_{OFF} CC	–	±8.0	–	mV	

4.2.3 Analog comparator characteristics

The table below shows the Analog Comparator characteristics.

Note: These parameters are not subject to production test, but verified by design and/or characterization.

Table 9 Analog Comparator Characteristics (Operating Conditions apply)

Parameter	Symbol		Limit Values			Unit	Notes/ Test Conditions
			Min.	Typ.	Max.		
Input Voltage	V_{CMP}	SR	-0.05	–	$V_{DDP}+0.05$	V	includes common mode and differential input voltages
Input Offset	V_{CMPOFF}	CC	–	+/-3	–	mV	High power mode $\Delta V_{CMP} < 200$ mV
Input Hysteresis	V_{HYS}	CC	–	+/-15	–	mV	Defined by SW

⁶⁾ All parameters are defined for the full supply range if not stated otherwise.

4 Electrical characteristics and parameters

4.2.4 Power Supply Current

The total power supply current defined below consists of a leakage and a switching component for the voltage regulator and the controller through the V_{CC1} pin. The V_{CC} supply current is listed under the gate driver parameters.

Application relevant values are typically lower than those given in the following tables, and depend on the customer's system operating conditions (e.g. thermal connection or used application configurations).

Note: These parameters are not subject to production test, but verified by design and/or characterization.

Table 10 Power Supply parameter table; $V_{CC1} = 15V$

Parameter	Symbol	Values			Unit	Note or Test Condition
		Min.	Typ.	Max.		
Active mode current motor control only	I_{CC1PWM} CC	-	12	25	mA	$T_a = 25^\circ C$
Active mode current motor control plus PFC	I_{CC1PFC} CC	-	16	25	mA	$T_a = 25^\circ C$

4.2.5 Flash Memory Parameters

Note: These parameters are not subject to production test, but verified by design and/or characterization.

Table 11 Flash Memory Parameters

Parameter	Symbol	Values			Unit	Note or Test Condition
		Min.	Typ.	Max.		
Data Retention Time	t_{RET} CC	10			years	Max. 100 erase / program cycles
Erase Cycles	N_{ECC} CC			$5 \cdot 10^4$	cycles	Sum of page and sector erase cycles a page sees
Total Erase Cycles	N_{TECC} CC			$2 \cdot 10^6$	cycles	

4 Electrical characteristics and parameters

4.2.6 Static parameters gate driver

Note: $V_{CC} = V_{BS} = 15V$ unless otherwise specified. All parameters valid for $T_a = 25^\circ C$

Table 12 Static parameter

Parameter	Symbol	Values			Unit	Note or Test Condition
		Min.	Typ.	Max.		
High level output voltage, LO1,2,3	V_{OH}	-	$V_{CC} - 0.7$		V	$I_O = 20mA$
High level output voltage, HO1,2,3			$V_B - 0.7$		V	$I_O = 20mA$
Low level output voltage, LO1,2,3	V_{OL}	-	$V_{COM} + 0.2$		V	$I_O = -20mA$
Low level output voltage, HO1,2,3	V_{OL}	-	$V_S + 0.2$		V	$I_O = -20mA$
V_{CC} and V_{BS} supply undervoltage positive going threshold	V_{CCUV+} V_{BSUV+}	8.3	9	9.8	V	-
V_{CC} and V_{BS} supply undervoltage negative going threshold	V_{CCUV-} V_{BSUV-}	7.5	8.1	8.8	V	-
V_{CC} and V_{BS} supply undervoltage lockout hysteresis	V_{CCUVH} V_{BSUVH}	0.5	0.9		V	$V_S = 600V$
High side leakage current betw. VS and VSS	I_{LVS+}	-	1	12.5	μA	$V_S = 600V$
High side leakage current betw. VS and VSS	I_{LVS+}^7		10	-	μA	$T_J = 125^\circ C, V_S = 600V$
High side leakage current between V_{Sx} and V_{Sy} ($x=1,2,3$ and $y=1,2,3$)	I_{LVS-}	-	10	-	μA	$T_J = 125^\circ C, V_{Sx} - V_{Sy} = 600V$
Quiescent current V_{BS} supply (VB only)	I_{QBS}	-	210	400	μA	-
Quiescent current V_{CC} supply (VCC only)	I_{QCC}	-	0.75	1.5	mA	
Mean output current for load capacity charging in range from 3 V (20%) to 6 V (40%)	I_{O+}	120	165	-	mA	$C_L = 10 nF$
Peak output current turn on (single pulse)	I_{Opk+}	-	240	-	mA	$R_L = 0 \Omega, t_p < 10 \mu s$
Mean output current for load capacity discharging in range from 12 V (80%) to 9 V (60%)	I_{O-}	250	375	-	mA	$C_L = 10 nF$
Peak output current turn off (single pulse)	I_{Opk-}	-	420		mA	$R_L = 0 \Omega, t_p < 10 \mu s$
Bootstrap diode forward voltage between VCC and VB	$V_{F,BSD}$	-	1.0	1.3	V	$I_F = 0.5 mA$

⁷ Not subject of production test, verified by characterization

4 Electrical characteristics and parameters

Table 12 **Static parameter (continued)**

Parameter	Symbol	Values			Unit	Note or Test Condition
		Min.	Typ.	Max.		
Bootstrap diode forward current between VCC and VB	$I_{F, BSD}$	27	51	75	mA	$V_F=4\text{ V}$
Bootstrap diode resistance	R_{BSD}	24	40	60	Ω	$V_{F1}=4\text{ V}, V_{F2}=5\text{ V}$

4 Electrical characteristics and parameters

4.2.7 Static parameters voltage regulator

Table 13 Static parameters

Parameter	Symbol	Values			Unit	Note or Test Condition
		Min.	Typ.	Max.		
Input Voltage	V_{CC1}	5.5		20	V	
Output Voltage	V_Q	4.80	5.00	5.20	V	$1 \text{ mA} \leq I_Q \leq 30 \text{ mA}$
Output Current Limitation	I_{QExt}			10	mA	Total regulator output for external devices
Dropout Voltage ⁸⁾	V_{dr}	-	250	300	mV	$I_Q = 20 \text{ mA}$
Output capacitor	C_Q	3.3	-	-	μF	$\text{ESR} \leq 2 \Omega$ at 10 kHz
Load Regulation	ΔV_Q	-	17	50	mV	$1 \text{ mA} < I_Q < 25 \text{ mA}$; $T_j = 25^\circ\text{C}$;
Line Regulation	ΔV_Q	-	10	25	mV	$V_I = (V_{Q,nom} + 0.5 \text{ V})$ to 36 V; $I_Q = 1 \text{ mA}$; $T_j = 25^\circ\text{C}$
Power Supply Ripple Rejection	PSRR	-	60	-	dB	$f_r = 100 \text{ kHz}$; $V_r = 0.5 \text{ Vpp}$

⁸⁾ Measured when the output voltage V_Q has dropped 100 mV from the nominal value.

4 Electrical characteristics and parameters

4.3 AC characteristics

4.3.1 Testing Waveforms

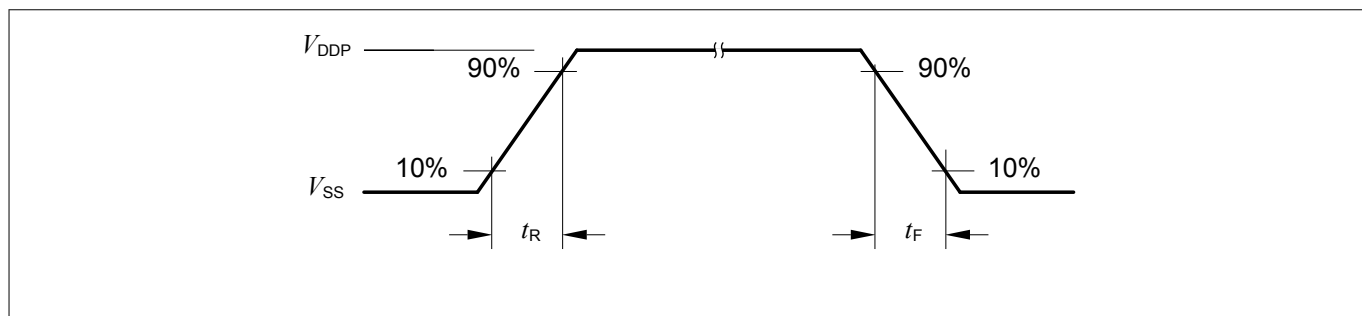


Figure 10 Rise/Fall Time Parameters

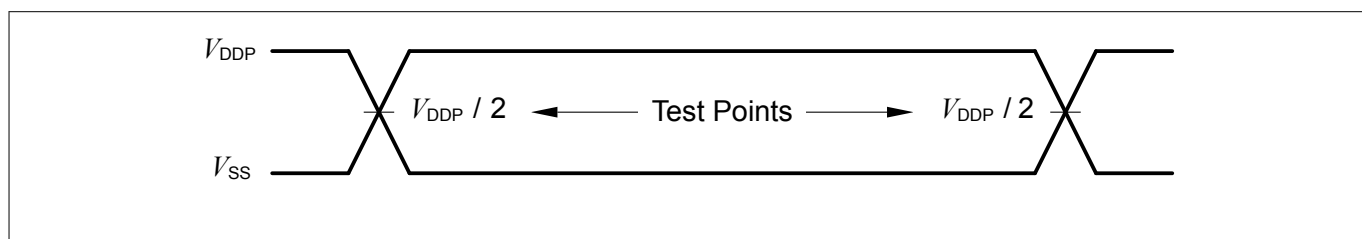


Figure 11 Testing Waveform, Output Delay

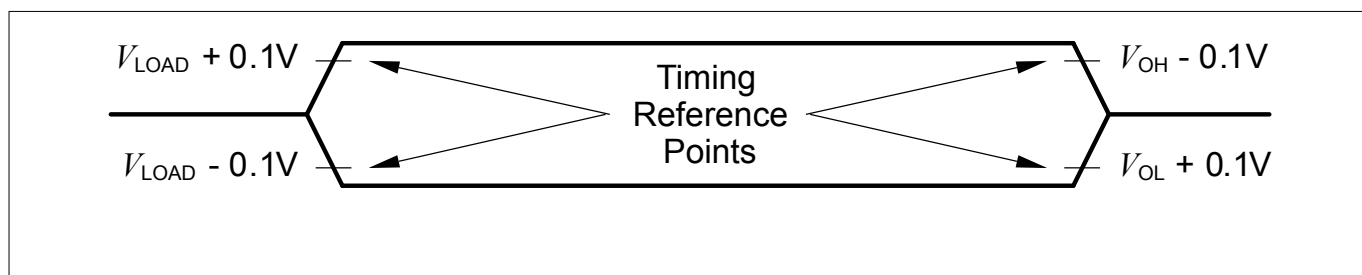


Figure 12 Testing Waveform, Output High Impedance

4.3.2 On-Chip Oscillator Characteristics

Table 14 provides the characteristics of the 96 MHz digital controlled oscillator DCO1. The DCO1 is used as the time base during normal operation.

Note: These parameters are not subject to production test, but verified by design and/or characterization.

Table 14 96 MHz DCO1 Characteristics

Parameter	Symbol	Limit Values			Unit	Test Conditions
		Min.	Typ.	Max.		
Nominal frequency	$f_{NOM\ CC}$	-	96	-	MHz	under nominal conditions after trimming

4 Electrical characteristics and parameters

Table 14 96 MHz DCO1 Characteristics (continued)

Parameter	Symbol	Limit Values			Unit	Test Conditions
		Min.	Typ.	Max.		
Accuracy with adjustment algorithm ⁹⁾ based on temperature sensor	$\Delta f_{LTS\ CC}$	-0.6	-	+0.6	%	with respect to $f_{NOM}(typ)$, T_A from 0°C to 105°C
		-1.9	-	+1.0	%	with respect to $f_{NOM}(typ)$, T_A from -25°C to 105°C
		-2.6	-	+1.3	%	with respect to $f_{NOM}(typ)$, T_A from -40°C to 105°C
Accuracy	$\Delta f_{LT\ CC}$	-1.7	-	+3.4	%	with respect to $f_{NOM}(typ)$, T_A from 0°C to 85°C
		-3.9	-	+4.0	%	with respect to $f_{NOM}(typ)$, T_A from -40°C to 105°C

Table 15 provides the characteristics of the 32 kHz digital controlled oscillator used internally as a secondary clock source for the internal watchdog.

Table 15 32 kHz WD DCO Characteristics

Parameter	Symbol	Limit Values			Unit	Test Conditions
		Min.	Typ.	Max.		
Nominal frequency	$f_{NOM\ CC}$	32.5	32.75	33	kHz	under nominal conditions ¹⁰⁾ after trimming
Accuracy	$\Delta f_{LT\ CC}$	-1.7	-	+3.4	%	with respect to $f_{NOM}(typ)$, T_A from 0°C to 85°C
		-3.9	-	+4.0	%	with respect to $f_{NOM}(typ)$, T_A from -40°C to 105°C

⁹ MCE version newer or equal to V1.03.00, clock adjustment algorithm for improved accuracy enabled

¹⁰ The deviation is relative to the factory trimmed frequency at nominal V_{DC} and $T_A = +25^\circ\text{C}$.

4 Electrical characteristics and parameters

4.3.3 Dynamic parameters gate driver

$V_{CC} = V_{BS} = 15\text{ V}$, $V_S = V_{SS} = V_{COM}$ unless otherwise specified. All parameters are valid for $T_a = 25\text{ °C}$.

Table 16 Dynamic parameters

Parameter	Symbol	Values			Unit	Note or Test Condition
		Min.	Typ.	Max.		
Turn-on propagation delay	t_{on}	400	530	800	ns	
Turn-off propagation delay	t_{off}	400	530	800	ns	
Turn-on rise time	t_r	–	60	100	ns	$C_L = 1\text{ nF}$
Turn-off fall time	t_f	–	26	45	ns	$C_L = 1\text{ nF}$
Dead time	DT	150	310	–	ns	
Matching delay ON, max(t_{on})-min(t_{on}), t_{on} are applicable to all 6 driver outputs	MT_{ON}	–	20	100	ns	
Matching delay OFF, max(t_{off})-min(t_{off}), t_{off} are applicable to all 6 driver outputs	MT_{OFF}	–	40	100	ns	
Output pulse width matching. $P_{win} - P_{Wout}$	PM	–	10	100	ns	

4 Electrical characteristics and parameters

4.3.4 Timing diagrams

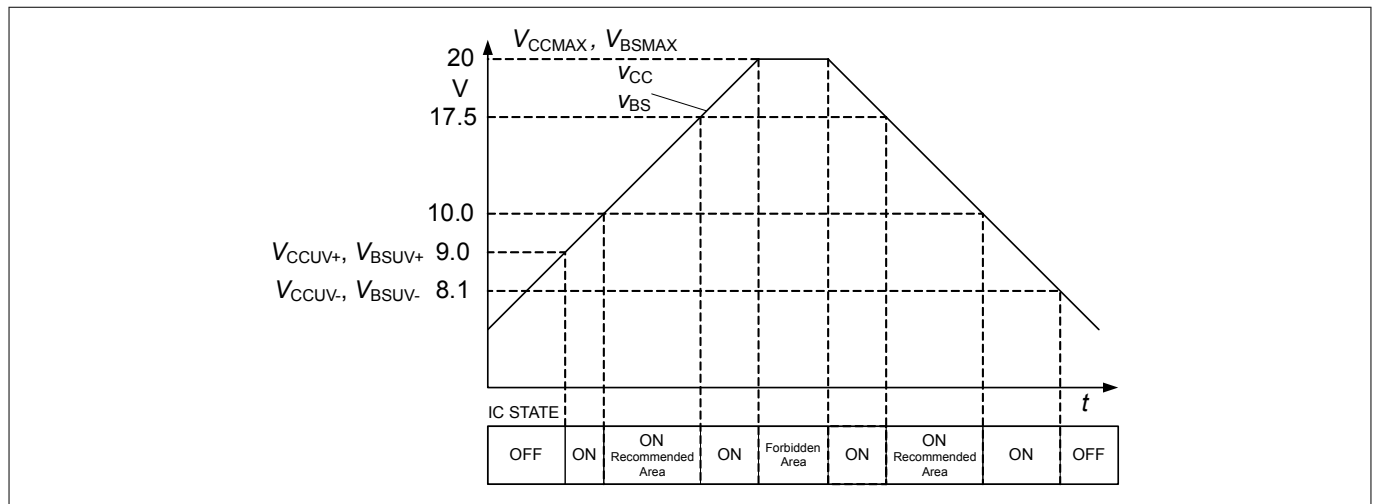


Figure 13 Operating Areas

4 Electrical characteristics and parameters

4.4 Motor Control Parameters

The following parameters are defined in the iMOTION™ Motion Control Engine (MCE) software.

4.4.1 PWM Characteristics

Table 17 Electrical characteristics

Parameter	Symbol	Values			Unit	Note or test condition
		Min.	Typ.	Max.		
Motor PWM Frequency ¹¹⁾	f_{PWM}	5	16	40	kHz	Min. and Max defined by SW

4.4.2 Current Sensing

Table 18 Motor Current Sensing

Parameter	Symbol	Values			Unit	Note or test condition
		Min.	Typ.	Max.		
Input range	I_{PWM}	$V_{SS}-0.05$	-	$V_{DD}+0.05$	V	
Configurable analog gain		-	1/ 3/ 6/ 12	-		
Itrip input range	$I_{PWMTRIP}$	$V_{SS}-0.05$	-	$V_{DD}+0.05$	V	
Itrip offset		-	± 8	-	mV	

¹¹ Min. and Max limits subject to change in future SW revisions

4 Electrical characteristics and parameters

4.4.3 Fault Timing

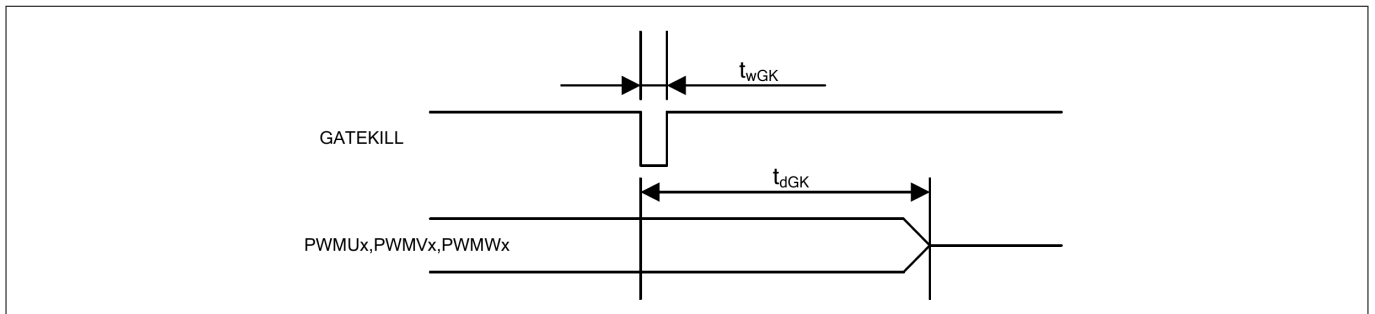


Figure 14 Fault timing

Table 19 Gatekill timing

Parameter	Symbol	Values			Unit	Note or test condition
		Min.	Typ.	Max.		
Motor Fault reset timing	t_{RESET}	-	1.84	-	ms	fault reset command via UART to PWM reactivation
Itrip to PWM shutoff	t_{PVMOFF}	0.075	1.0	10	μs	Configurable in SW

4 Electrical characteristics and parameters

4.5 Power Factor Correction (PFC) parameters

The parameters specified for the power factor correction only refer to products with integrated PFC control algorithms.

4.5.1 Boost PFC characteristics

Table 20 Electrical characteristics

Parameter	Symbol	Values			Unit	Note or test condition
		Min.	Typ.	Max.		
PFC frequency	f_{PFC}	-	40		kHz	Max defined by SW

4.5.2 Totem Pole PFC characteristics

Table 21 Electrical characteristics

Parameter	Symbol	Values			Unit	Note or test condition
		Min.	Typ.	Max.		
PFC frequency	f_{PFC}	-	40		kHz	Max defined by SW

4.5.3 PFC Current Sensing

The current sensing specification applies to both PFC algorithms, boost mode and totem pole.

Table 22 PFC Current Sensing

Parameter	Symbol	Values			Unit	Note or test condition
		Min.	Typ.	Max.		
Input range	I_{PFC}	$V_{SS} - 0.05$	-	$V_{DD} + 0.05$	V	$V_{DD} = 3.3$ or 5.0 V
Configurable analog gain		-	1/ 3/ 6/ 12	-		
PFC Itrip input range	$I_{PFCTRIP}$	$V_{SS} - 0.05$	-	$V_{DD} + 0.05$	V	$V_{DD} = 3.3$ or 5.0 V
Itrip offset		-	± 3	-	mV	Input voltage difference > 200mV

4 Electrical characteristics and parameters

4.6 Control Interface Parameters

The following tables specify the interfaces that can be used to control the motor drive in the application.

4.6.1 Control Input Interfaces

The motor speed control and command input can be selected using software parameters. The available interfaces are the UART interface, the VSP AIN voltage or the DUTYFREQ digital input signal. The software reference manual describes speed signal scaling parameters and the start and stop thresholds for each interface .

4.6.2 Serial Interface Parameters

The IMD111T/IMD112T series provides the following communication interfaces.

Note: These parameters are not subject to production test, but verified by design and/or characterization.

4.6.2.1 UART Interface

The UART interface is configured as given below.

Note: Operating Conditions apply.

Table 23 Electrical characteristics

Parameter	Symbol	Values			Unit	Note or test condition
		Min.	Typ.	Max.		
UART baud rate		1200	57600	-	Bps	
UART mode		-	8-N-1	-		data-parity-stop bit
UART sampling filter period ¹²⁾	$T_{UARTFIL}$	-	1/16	-	T_{BAUD}	

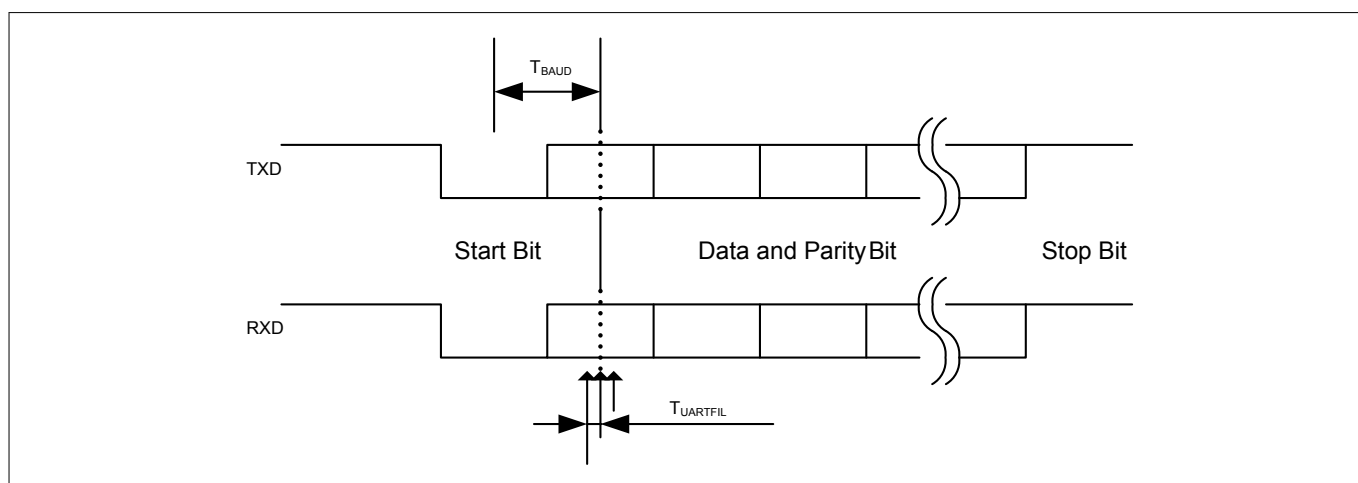


Figure 15 UART timing

¹²⁾ Each bit including start and stop bit is sampled three times at center of a bit at an interval of $1/16 T_{BAUD}$. If three sampled values do not agree, then UART noise error is generated.

4 Electrical characteristics and parameters

4.6.3 Over Temperature Input

The over temperature input can be used to continuously monitor an external temperature sensor like an NTC.

Table 24 Over Temperature Input

Parameter	Symbol	Values			Unit	Note or test condition
		Min.	Typ.	Max.		
Over Temperature to PWM shutdown	t_{OT}		1.0	2.1	ms	

4.6.4 Pulse Output

The IMD111T/IMD112T series can generate a square wave pulse output in sync with the motor rotation which can be used to monitor the motor speed. The number of pulses to be generated for a full rotation can be configured.

Table 25 Pulse Output

Parameter	Symbol	Values			Unit	Note or test condition
		Min.	Typ.	Max.		
Pulses per Rotation	PPR	4	-	24		
Pulse duty cycle	t_{PPR}	-	50	-	%	

5 Device and package specifications

5 Device and package specifications

5.1 Quality declaration

Table 26 Quality Parameters

Parameter	Symbol	Limit Values		Unit	Notes
		Min.	Max.		
ESD susceptibility according to Human Body Model (HBM)	V_{HBM} SR	–	2000	V	Conforming to ANSI/ESDA/JEDEC-JS-001
ESD susceptibility according to Charged Device Model (CDM) pins	V_{CDM} SR	–	1000	V	Conforming to ANSI/ESDA/JEDEC-JS-002
Moisture sensitivity level	MSL CC	–	3	–	JEDEC J-STD-020D
Soldering temperature	T_{SDR} SR	–	260	°C	Profile according to JEDEC J-STD-020D

5.2 SBSL and Chip-IDs

The table below gives the IDs for the individual devices in the IMD111T/IMD112T family. Depending upon the mode either the SBSL-ID (secure boot loader) or the Chip-ID should be used to identify the device. For details refer to the Reference Manual or the iMOTION™ Programming Manual.

Table 27 SBSL-IDs and Chip-IDs

Product Type	Package	Chip-ID	SBSL-ID
IMD111T-6F040	LQFP-40	0x21110007	0242dca3b8d9690b68bf429211856693
IMD112T-6F040	LQFP-40	0x21120007	02309452a88ab5cb112fc4cfa84dcedc

5.3 Thermal considerations

Table 28 Thermal characteristics of the packages

Parameter	Symbol	Limit values		Unit	Package types
		Min.	Max.		
Thermal resistance Junction-Ambient ¹³⁾	$R_{\theta JA}$ CC	–	100.0	K/W	PG-LQFP-40-1

When operating the IMD111T/IMD112T in a system, the total heat generated in the chip must be dissipated to the ambient environment to prevent overheating and the resulting thermal damage.

The maximum heat that can be dissipated depends on the package and its integration into the target board. The “Thermal resistance $R_{\theta JA}$ ” quantifies these parameters. The power dissipation must be limited so that the average junction temperature does not exceed the value specified under Absolut Maximum Ratings.

The difference between junction temperature and ambient temperature is determined by

$$\Delta T = (P_{INT} + P_{IOSTAT} + P_{IODYN}) \times R_{\theta JA}$$

The internal power consumption is defined as

$$P_{INT} = V_{DD} \times I_{DDP} \text{ (switching current and leakage current).}$$

¹³ Device mounted on a 4-layer JEDEC board (JESD 51-5).

5 Device and package specifications

The static external power consumption caused by the output drivers is defined as

$$P_{I\text{O}STAT} = \Sigma((V_{DD} - V_{OH}) \times I_{OH}) + \Sigma(V_{OL}I_{OL})$$

The dynamic external power consumption caused by the output drivers ($P_{I\text{O}DYN}$) depends on the capacitive load connected to the respective pins and their switching frequencies.

If the total power dissipation for a given system configuration exceeds the defined limit, countermeasures must be taken to ensure proper system operation:

- Reduce V_{DD} , if possible in the system
- Reduce the system frequency
- Reduce the number of output pins
- Reduce the load on active output drivers

5.4 Package Outline PG-LQFP-40-1

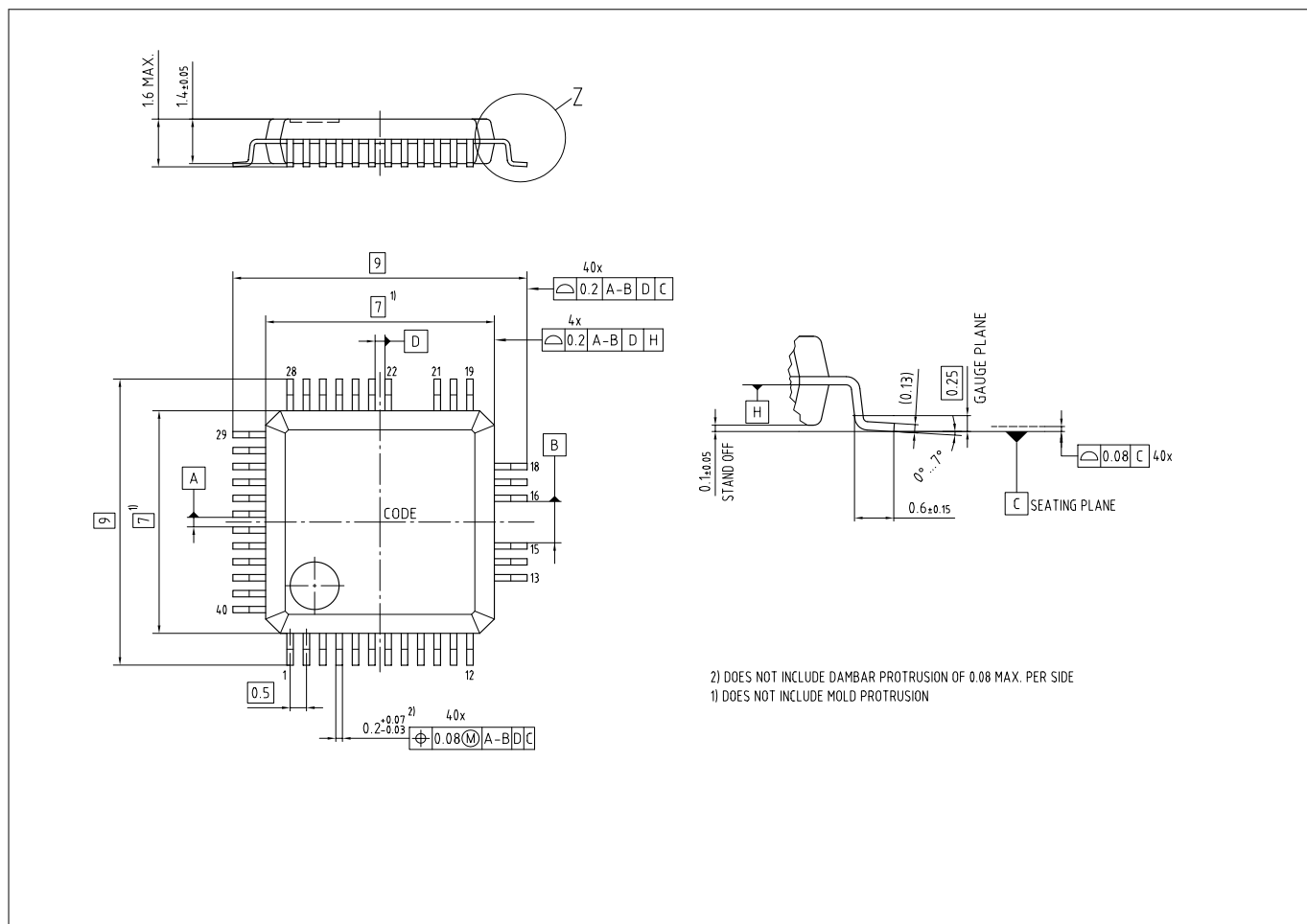


Figure 16 PG-LQFP-40-1

Revision history

5.5 Part marking information

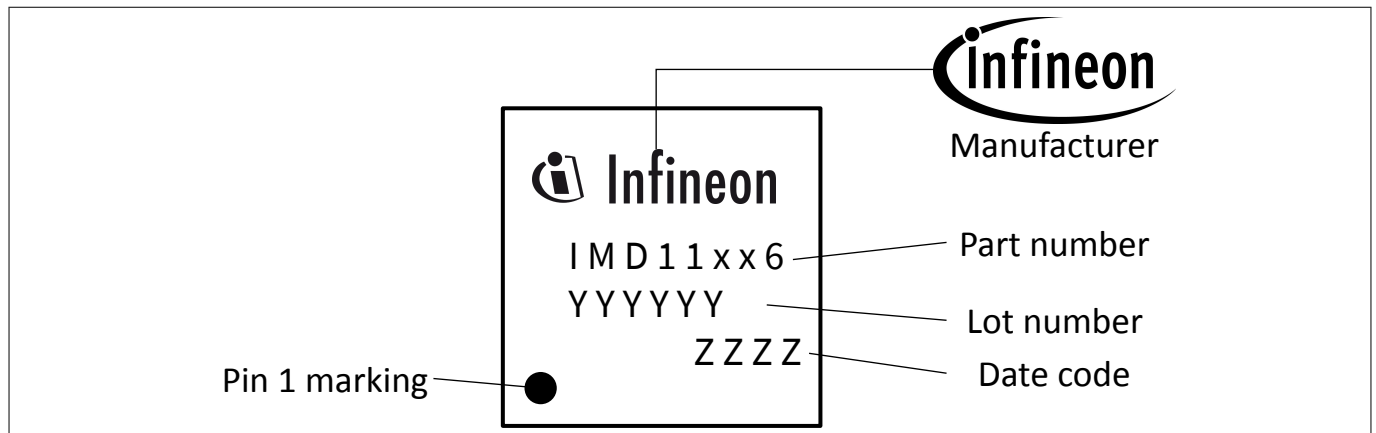


Figure 17 Part marking

Revision history

Document version	Date of release	Description of changes
1.0	2020-12-4	• Initial release

Trademarks

All referenced product or service names and trademarks are the property of their respective owners.

Edition 2020-12-4

Published by

Infineon Technologies AG

81726 Munich, Germany

© 2020 Infineon Technologies AG

All Rights Reserved.

Do you have a question about any aspect of this document?

Email: erratum@infineon.com

Document reference

IFX-jxp1587992470902

IMPORTANT NOTICE

The information given in this document shall in no event be regarded as a guarantee of conditions or characteristics ("Beschaffenhheitsgarantie").

With respect to any examples, hints or any typical values stated herein and/or any information regarding the application of the product, Infineon Technologies hereby disclaims any and all warranties and liabilities of any kind, including without limitation warranties of non-infringement of intellectual property rights of any third party.

In addition, any information given in this document is subject to customer's compliance with its obligations stated in this document and any applicable legal requirements, norms and standards concerning customer's products and any use of the product of Infineon Technologies in customer's applications.

The data contained in this document is exclusively intended for technically trained staff. It is the responsibility of customer's technical departments to evaluate the suitability of the product for the intended application and the completeness of the product information given in this document with respect to such application.

WARNINGS

Due to technical requirements products may contain dangerous substances. For information on the types in question please contact your nearest Infineon Technologies office.

Except as otherwise explicitly approved by Infineon Technologies in a written document signed by authorized representatives of Infineon Technologies, Infineon Technologies' products may not be used in any applications where a failure of the product or any consequences of the use thereof can reasonably be expected to result in personal injury.

X-ON Electronics

Largest Supplier of Electrical and Electronic Components

Click to view similar products for [Motor/Motion/Ignition Controllers & Drivers](#) category:

Click to view products by [Infineon](#) manufacturer:

Other Similar products are found below :

[FSB50550TB2](#) [FSBF15CH60BTH](#) [MSVCPM2-63-12](#) [MSVGW45-14-2](#) [MSVGW54-14-3](#) [MSVGW54-14-5](#) [NTE7043](#) [LA6565VR-TLM-E](#)
[LB11650-E](#) [LB1837M-TLM-E](#) [LB1845DAZ-XE](#) [LC898300XA-MH](#) [SS30-TE-L-E](#) [26700](#) [LV8281VR-TLM-H](#) [BA5839FP-E2](#) [IRAM236-1067A](#) [LA6584JA-AH](#) [LB11847L-E](#) [NCV70501DW002R2G](#) [AH293-PL-B](#) [TND315S-TL-2H](#) [FNA23060](#) [FSB50250AB](#) [FNA41060](#)
[MSVB54](#) [MSVBTC50E](#) [MSVCPM3-54-12](#) [MSVCPM3-63-12](#) [MSVCPM4-63-12](#) [MSVTA120](#) [FSB50550AB](#) [NCV70501DW002G](#)
[LC898301XA-MH](#) [LV8413GP-TE-L-E](#) [MSVGW45-14-3](#) [MSVGW45-14-4](#) [MSVGW45-14-5](#) [MSVGW54-14-4](#) [STK984-091A-E](#)
[SLA7026M](#) [MP6519GQ-Z](#) [LB11651-E](#) [IRSM515-025DA4](#) [LV8127T-TLM-H](#) [MC33812EKR2](#) [NCP81382MNTXG](#) [TDA21801](#)
[LB11851FA-BH](#) [NCV70627DQ001R2G](#)