

Introduction to Infineon's Simulation Models Power MOSFETs

IFAT PMM
F. Stueckler
G. Noebauer
K. Bueyuektas

Edition 2013-09-16
Published by
Infineon Technologies Austria AG
9500 Villach, Austria
© Infineon Technologies Austria AG 2011.
All Rights Reserved.

Attention please!

THE INFORMATION GIVEN IN THIS APPLICATION NOTE IS GIVEN AS A HINT FOR THE IMPLEMENTATION OF THE INFINEON TECHNOLOGIES COMPONENT ONLY AND SHALL NOT BE REGARDED AS ANY DESCRIPTION OR WARRANTY OF A CERTAIN FUNCTIONALITY, CONDITION OR QUALITY OF THE INFINEON TECHNOLOGIES COMPONENT. THE RECIPIENT OF THIS APPLICATION NOTE MUST VERIFY ANY FUNCTION DESCRIBED HEREIN IN THE REAL APPLICATION. INFINEON TECHNOLOGIES HEREBY DISCLAIMS ANY AND ALL WARRANTIES AND LIABILITIES OF ANY KIND (INCLUDING WITHOUT LIMITATION WARRANTIES OF NON-INFRINGEMENT OF INTELLECTUAL PROPERTY RIGHTS OF ANY THIRD PARTY) WITH RESPECT TO ANY AND ALL INFORMATION GIVEN IN THIS APPLICATION NOTE.

Information

For further information on technology, delivery terms and conditions and prices please contact your nearest Infineon Technologies Office (www.infineon.com).

Warnings

Due to technical requirements components may contain dangerous substances. For information on the types in question please contact your nearest Infineon Technologies Office. Infineon Technologies Components may only be used in life-support devices or systems with the express written approval of Infineon Technologies, if a failure of such components can reasonably be expected to cause the failure of that life-support device or system, or to affect the safety or effectiveness of that device or system. Life support devices or systems are intended to be implanted in the human body, or to support and/or maintain and sustain and/or protect human life. If they fail, it is reasonable to assume that the health of the user or other persons may be endangered.

AN 2014-02

Revision History: 14-02-07, V2.0

Previous Version: 05-04-20, V1.0

Subjects: Update on Infineon Power MOSFET and Infineon format style

Authors: Franz Stueckler (IFAT PMM APS SE AC), Kevni Bueyuektas (IFAG PMM DPC HVM) and Gerhard Noebauer (IFAT PMM DPC LVM PD)

We Listen to Your Comments

Any information within this document that you feel is wrong, unclear or missing at all? Your feedback will help us to continuously improve the quality of this document. Please send your proposal (including a reference to this document) to: Franz.Stueckler@infineon.com or Kevni.Bueyuektas@infineon.com

Table of contents

1	Introduction	4
2	Model Library Files	4
2.1	File Types.....	4
2.2	Library implementation in SIMetrix™	5
3	Definition of Modelling Levels	6
3.1	Infineon Level 0 (basic function)	7
3.2	Infineon Level 1 (constant temperature)	7
3.3	Infineon Level 2 (dynamic temperature setting).....	8
3.4	Infineon Level 3 (electro-thermal calculation)	8
4	CoolMOS™ models for 4pin devices	9
5	Optional parameters for Infineon Power MOSFET models	11
6	Typical simulation parameters	11
6.1	For SIMetrix™	11
6.2	For OrCAD	12
7	Modelling contact address	12

1 Introduction

Models provided by Infineon are not warranted by Infineon as fully representing all the specifications and operating characteristics of the semiconductor product to which the model relates. The models describe the characteristics of typical devices. In all cases, the current data sheet information for a given device is the final design guideline and the only actual performance specification.

Although models can be a useful tool in evaluating device performance, they cannot model exact device performance under all conditions, nor are they intended to replace breadboarding for final verification. Infineon therefore does not assume any liability arising from their use.

Infineon reserves the right to change models without prior notice.

2 Model Library Files

The models for Infineon Power MOSFET are evaluated with SiMetrix™-PSpice simulator.

The Infineon Power MOSFET models are tested, verified and provided in PSpice simulation code. All power device models are centralized in dedicated library files, according to their voltage class and product technology.

2.1 File Types

Numerous simulator tools are able to process models programmed in PSpice code. The available model library files consist of:

File	Simulator	Description	Support
.lib	SiMetrix™ LT-Spice Multisim	files comprising the PSpice code	All Infineon Power MOSFET products
.slb	OrCAD	files providing symbols for the models required by the graphic user interface (GUI) 'Schematics'. (In order to be usable in evaluation versions of the PSpice/Schematics system, each symbol library does not contain more than twenty symbols.)	Not provided for latest Infineon Power MOSFET products; The .slb files can be provided on request. The .slb files need to be installed via the menu 'Options → Editor Configuration → Library Settings'.
.olb	OrCAD	files comprising symbols for the graphical user interface 'Capture' If 'Schematics' is used as GUI, the .lib files must be installed via the 'Analysis → Library and Include Files' menu. Permanent installation via 'Add Library*' is recommended.	Not provided for latest Infineon Power MOSFET products; slb files can be imported to OrCAD and converted to olb files.

Table 2.1: File types

The .lib files are available on the following Infineon web page:

<http://www.infineon.com>

Please search under Products → MOSFETs → Power MOSFETs

2.2 Library implementation in SIMetrix™

Before setting up a simulation the model libraries of interest must be integrated in the simulator tool. This section gives a introduction about the installation of the PSpice .lib files in SIMetrix™. For the installation of the different library files please consider to check the online help of the discrete simulation tool.

The implementation of a PSpice library file into SIMetrix™ is based on using version 7.10 of the simulator. The procedure is valid in the same way for former software versions. Figure 1 shows the single steps how the library files can be installed easily to the simulator. After starting SIMetrix™ it is necessary to open a file manager window, entering the path to the library files to be implemented.

Insert the library into the main window by **drag and drop**. The confirmation dialog informs the user if the action was successful and the installation is completed. The tooling allows to install several files at once. For this the required libraries have to be marked and shifted to the main window in one action.

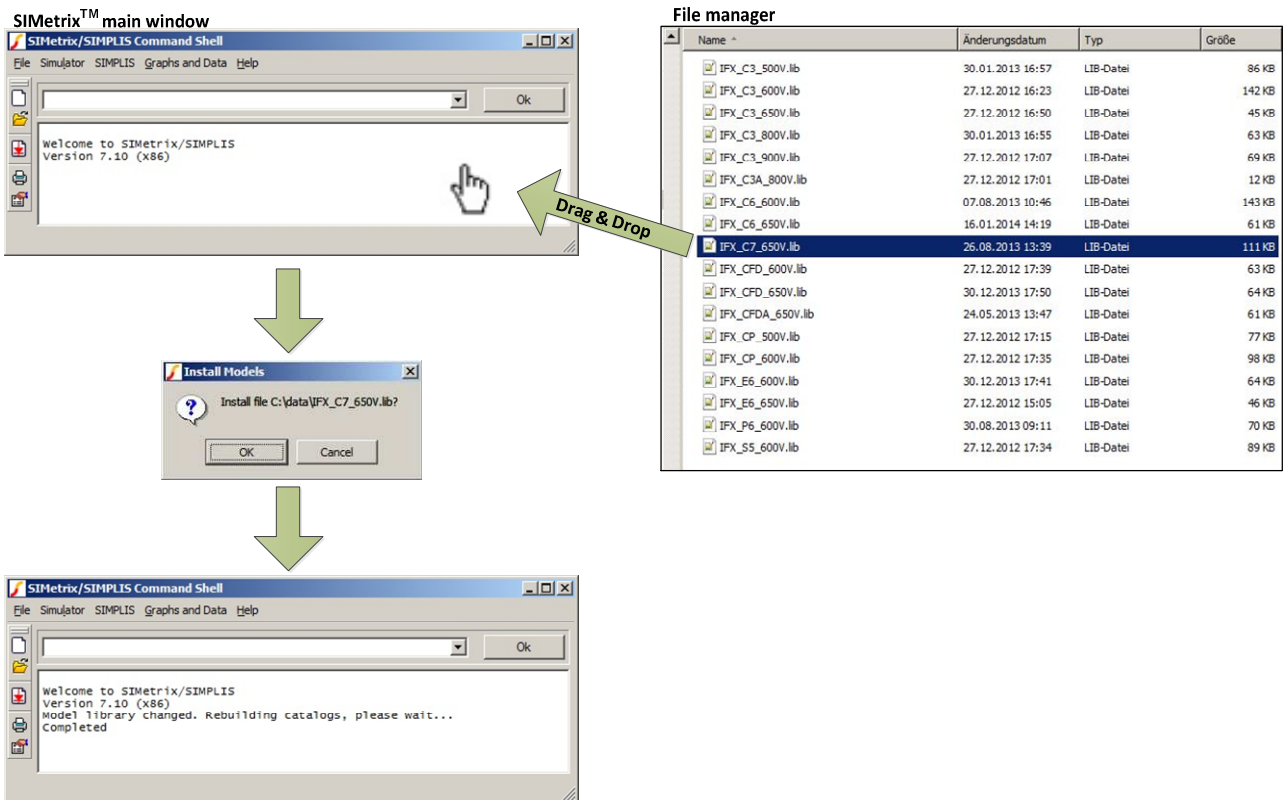


Figure 1: SIMetrix™ library implementation

3 Definition of Modelling Levels

Infineon provides up to four different types of models for MOSFET devices. Three of them are based on a physical temperature-dependent model of the MOSFET structure and the package (so-called 'Level 1' till 'Level 3'). The fourth is a more empirical model that is less complex, but faster and suitable for other Spice variants or simulators that can import Spice-like models ('Level 0').

The nomenclature of the models is basically the device name added with a suffix identifying the level:

Suffix	Infineon Level
_L0	0
_L1	1
_L2	2
_L3 or without	3

Table 3.1: Modelling Level Nomenclature

For example, the Level 3 model of the 650V, 45mOhm CoolMOS™ C7 IPP65R045C7 has the part name IPP65R045C7_L3.

The table below offers a condense overview on the different levels and there preferred usage.

Infineon Level	Terminals	Usage suggestion
L0	G, D, S	General electrical simulations/ whole application circuits.
L1	G, D, S	Transient, switching losses and efficiency analyses. Behavior of device over full temperature range.
L2	G, D, S, T_j , T_{case}	Same as L1 but with individual device temperature. This model is not supported because it is covered by L3-model.
L3	G, D, S, T_j , T_{case}	Self-heating effects, modeling of heat flow including thermal models of application.

Table 3.2: Usage of Levels

3.1 Infineon Level 0 (basic function)

If the simulation focus is very much on speed, then the Level 0 PSpice model is the best choice for most of the application simulations. The structure is an equivalent subcircuit basically composed of standard elements.

These models can also be used in other Spice-like simulators that do not work with PSpice specific syntax like functional statements. The model name of the IPP65R045C7 is IPP65R045C7_L0, i.e. the suffix _L0 is used. Infineon's level 0 model symbol (three pins) is depicted in Figure 2.

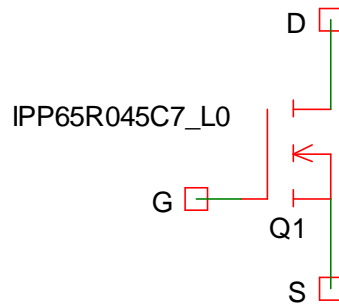


Figure 2: Level 0 model symbol

3.2 Infineon Level 1 (constant temperature)

Level 1 models assume a constant device temperature for the entire circuit and during a transient simulation (the temperature has to be given in the analysis setup). Furthermore the voltage dependency of the capacitances is modeled very accurately. Due to the increased complexity this model takes more computing power than level 0.

The temperature of the simulation can be changed in the simulation tool by editing and updating the global setting for environment temperature. Infineon's level 1 model symbol (three pins) is depicted in Figure 3.

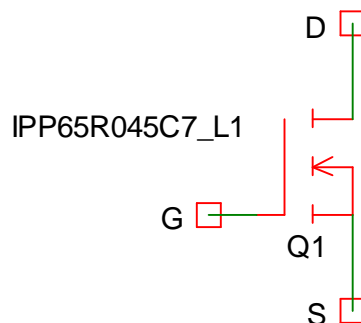


Figure 3: Level 1 model symbol

3.3 Infineon Level 2 (dynamic temperature setting)

Level 2 models enable the user to define different temperatures for individual parts in the circuit. These temperatures can be changed dynamically during transient computations by connecting a voltage source to the T_j (junction temperature) pin. The voltage is converted into degree Celsius. If the T_j pin is not connected, a default temperature of 27 °C is used for the computation.

Level 2 models are not available for CoolMOS™ devices, since all features of the Level 2 are completely covered by Level 3 model types.

3.4 Infineon Level 3 (electro-thermal calculation)

In order to be able to compute the self heating dynamically, the electrical model is coupled with a thermal model of the device in Level 3 models. To do this, the current power dissipation in the transistor is determined permanently, and a current proportional to this power is fed into the thermal equivalent network. The voltage at the T_j node then contains the information about the time-dependent junction temperature which in turn acts directly on the temperature-dependent electrical model. Infineon's level 3 model symbol (five pins) is depicted in Figure 4.

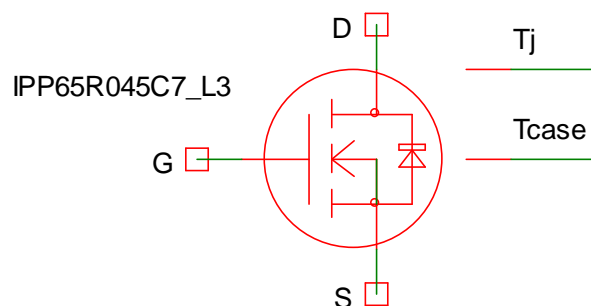


Figure 4: Level 3 model symbol

Symbols with 5-pins are used since the Level 3 models have two external thermal nodes:

- The temperature connections are working as voltage pins. Therefore a potential difference of 1V refers to a temperature difference of 1°C.
- The upper additional connection is T_j , where the user can monitor the junction temperature easily. Usually, this node should not be connected. However, when the computation should start with a device junction temperature different to the thermal equilibrium, connecting T_j with a small capacitor (typically 1pF) to ground and stating an initial value (parameter IC) for the initial potential difference (which is used as a measure for the initial temperature in °C) enables these types of simulations.
- The second thermal pin is T_{case} (or, in die models, T_{pad}). This pin has to be connected. An external resistor-capacitor-network can be added between the T_{case} pin and ground potential. The right-hand side terminal of the thermal network has to be connected to a thermal source to define the ambient temperature. (see Figure 5). On the other hand, shorting these pins leads to a network where optimum heat transfer is modeled.

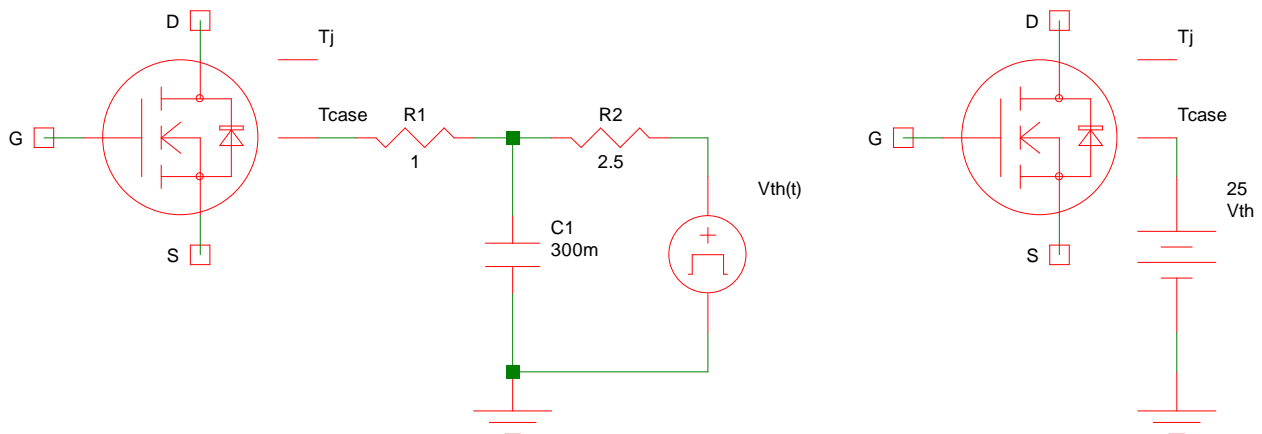


Figure 5: Connecting external thermal networks

The Figure 5 depicts an example for simulation circuit with external heat sink. On the left picture R1 refers to the R_{th} of the interface between heat slug and heat sink. C1 and R2 are parameters from the used heat sink with its thermal capacitance (C1) and its R_{th} to the environment (R2). The V_{th} -signal describes the environment temperature behavior for the simulation.

On the right picture the heat slug of the package is fixed to 25°C. With such schematic it is possible to investigate on device behavior according to datasheet graphs.

4 CoolMOS™ models for 4pin devices

Some Infineon Power MOSFET portfolios (for example CoolMOS™ C7) also include products with separate source connection for fast and efficient switching behavior of the MOSFET. These products are featured with additional connection for the gate driving ground, called source sense (SS). Please also refer to 4pin [application note](#)¹.

The 4pin models do not include the internal parasitic source inductance (package) as defined in the 3pin configuration. This enables a conversion of the model to other simulation systems than PSpice without requiring a dedicated symbol.

¹ F. Stueckler, E. Vecino, "CoolMOS™ C7 650V Switch in a Kelvin Source Configuration", Infineon Technologies, application note AN2013-05

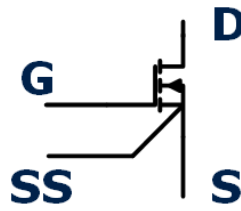


Figure 6 Schematic symbol of 4pin CoolMOS™ device

For this reason the simulation schematic must be fitted with external an parasitic inductance according to the real PCB-layout. The value of this inductance can either be chosen as a first order approach with 1nH per mm of trace length, or determined by 3D simulation models like Q3D of the 3D PCB model. In addition to the external inductance the internal value to be added depends on the package. For TO247 consider an internal inductance of 5nH on the source (S) pin. In case of ThinPAK™ the internal inductance to be added is 1nH.

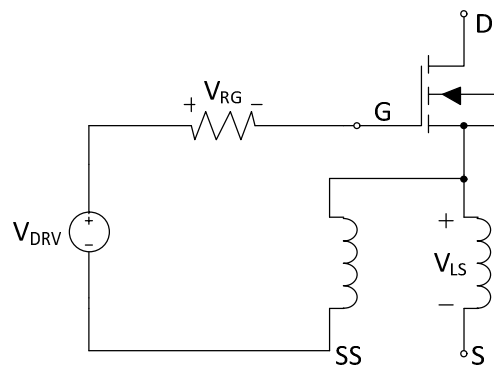


Figure 7 Simulation schematic for 4pin devices

5 Optional parameters for Infineon Power MOSFET models

Infineon's Power MOSFET model parameters are chosen to give the behavior of a typical device. However, in order to enable worst-case analyses, Infineon's Power MOSFET models provide important parameters to be closer by the user.

Generally, the deviations are scaled to the range [-1;1] where a value of -1 refers to the minimum value, 0 is the typical value (default) and 1 accounts for the maximum value of the model parameter. Note that the parameters have different priorities, such that not all combinations are possible.

First, in Level 3 models the user can choose between the typical (physically minimum) transient thermal impedance and the maximum value guaranteed by Infineon. This can be done by changing the optional parameter dZ_{th} from its default value of 0 (typical Z_{th}) to 1 (maximum Z_{th}). Intermediate values are possible. User who prefer netlist input, can use this feature by adding PARAMS: $Z_{th,type}=1$ to the netlist line. In this example, the 1 would refer to the maximum Z_{th} behavior.

Second, the on-resistance of the device can be chosen between typical and maximum value. The allowed range for $dR_{DS(on)}$ is [0;1] where, similarly to the dZ_{th} attribute, 0 is the typical and 1 the maximum value (netlist code: PARAMS: $R_{DS(on)}=1$).

Third, all types of models have the attribute dV_{th} to model threshold voltage deviations from the typical value. Hence, a default value of 0 gives the typical device, -1 the minimum and 1 the maximum threshold voltage (netlist code: PARAMS: $dV_{th}=1$). Setting a value $dR_{DS(on)} \neq 0$ overwrites dV_{th} .

The modeling of device performance deviations is a complex task since typically there is no one-to-one relation between a deviation in the manufacturing process and the variation in a particular device parameter. The use of the given optional parameters does therefore not account for all cases and might in special cases even result in performance that does not fulfill the specifications guaranteed by Infineon.

6 Typical simulation parameters

6.1 For SIMetrix™

The following setting has been found to be helpful for SIMetrix™ simulation

noOplter	Forces the Simulation to look for DC and transient points. Has only impact on simulation time. Accuracy is not affected.
Method = Gear	In most cases works better than default trapezoidal method. According to PSpice-manual it can cause numerical oscillations.
Abstol = 10n	Current tolerance can be increased up to 10nA. A conservative value would be 1n. The higher abstol, the faster the simulation becomes at the expense of accuracy.
pointTol = 0.001	Depends on the accuracy requirement. A lower value leads to higher accuracy, but increases simulation time.

Table 6.1: Settings for SIMetrix™

6.2 For OrCAD

As PSpice was originally not designed for power electronics and highly non-linear components, the standard simulation parameters (Simulation Setup/Options) are often not suitable. In common, the following typical values facilitate convergence:

ABSTOL = 1nA	(maximum current accuracy)
CHGTOL = 1pC	(maximum charge accuracy)
ITL1= 150	(maximum number of iterations for DC analyses without initial conditions)
ITL2 = 150	(maximum number of iterations for DC analyses with initial conditions)
ITL4 = 500	(maximum number of iterations for transient analyses time steps)
RELTOL =0,01	(relative accuracy of voltages and currents)

Table 6.2: Settings for OrCAD

In many cases it is necessary to limit the step size for transient analyses. The circuit system contains many different time scales, where the automatic step control of the PSpice simulator sometimes disregards essential fast-time-scale information which eventually leads to convergence problems. Typically, a step ceiling of the size of 1 ns is a remedy to this problem.

In cases where the time to be simulated (TSTOP) is relatively large (typically if thermal phenomena are of main interest) and sharp gradients are occurring, the minimum step size might be too large. In those cases it is helpful to start with a reduced TSTOP, interrupt the simulation process and change TSTOP to the desired value.

7 Modelling contact address

If you have further questions, feel free to contact us via our local sales offices, the internet (<http://www.infineon.com>) or email to [the authors](#)

Note: models must never be abused for circuit design outside the safe operating area. The final decisive component specification is always the data sheet!!

X-ON Electronics

Largest Supplier of Electrical and Electronic Components

Click to view similar products for [Infineon](#) manufacturer:

Other Similar products are found below :

[BSM50GB60DLC](#) [DD260N12KHPSA1](#) [FF150R12MS4GBOSA1](#) [BTT6030-2EKA](#) [FD401R17KF6C_B2](#) [FF401R17KF6C_B2](#)
[SPW21N50C3](#) [IRFS31N20D](#) [XMC1100T038X0064AAXUMA1](#) [BUZ30AHXKSA1](#) [IRF2807](#) [SPA07N60CFD](#) [BTS442E2](#) [E3062A](#)
[SPP04N50C3XKSA1](#) [IRL2910](#) [IRFS52N15DHR](#) [BGA231N7E6327XTSA2](#) [IRGP20B60PD](#) [TDA21310XUSA1](#) [IRF7832](#) [IRF7422D2](#)
[IR3838MTRPBF](#) [IRF7301](#) [IDD05SG60C](#) [IRFR3518](#) [TLE4296G](#) [V30](#) [IRFZ24N](#) [IRFP260N](#) [IRF7316](#) [IFX25001TCV10ATMA1](#)
[TLE62512GXUMA1](#) [BSP299](#) [H6327](#) [IRFR3704](#) [IRLIZ44N](#) [IFX2931GV33XUMA1](#) [XMC1301T016X0016AAXUMA1](#)
[IPU60R2K0C6BKMA1](#) [IPP80N06S4L-07](#) [IPU60R1K4C6](#) [IRF7805](#) [IRLR8103V](#) [BSL802SNH6327XTSA1](#) [IRFR3910](#) [BTN7960B](#)
[IRFS59N10D](#) [IRFS59N10DTRR](#) [EVALM113023645ATOBO1](#) [EVALM11302TOBO1](#) [FD1000R33HE3-K](#) [FF1200R17KE3_B2](#)