

# IPS511/IPS511S

## FULLY PROTECTED HIGH SIDE POWER MOSFET SWITCH

### Features

- Over temperature protection (with auto-restart)
- Short-circuit protection (current limit )
- Active clamp
- E.S.D protection
- Status feedback
- Open load detection
- Logic ground isolated from power ground

### Product Summary

$R_{ds(on)}$	135m $\Omega$ (max)
$V_{clamp}$	50V
I Limit	5A
$V_{open\ load}$	3V

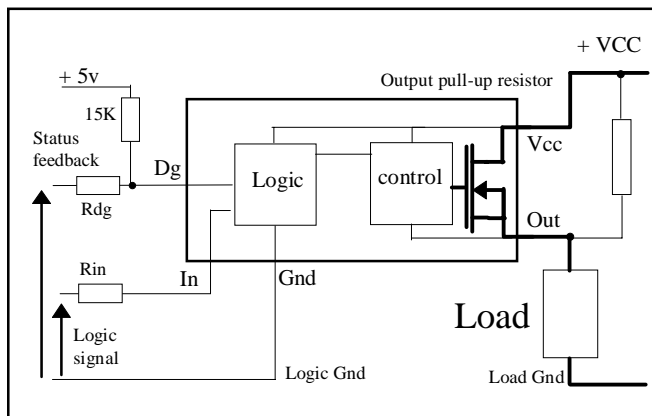
### Description

The IPS511/IPS511S are fully protected five terminal high side switches with built in short circuit, over-temperature, ESD protection, inductive load capability and diagnostic feedback. The output current is controlled when it reaches  $I_{lim}$  value. The current limitation is activated until the thermal protection acts. The over-temperature protection turns off the high side switch if the junction temperature exceeds  $T_{shutdown}$ . It will automatically restart after the junction has cooled  $7^{\circ}C$  below  $T_{shutdown}$ . A diagnostic pin is provided for status feedback of short-circuit, over-temperature and open load detection. The double level shifter circuitry allows large offsets between the logic ground and the load ground.

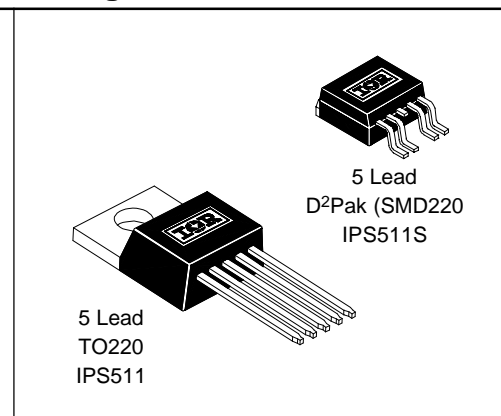
### Truth Table

Op. Conditions	In	Out	Dg
Normal	H	H	H
Normal	L	L	L
Open load	H	H	H
Open load	L	H	H
Over current	H	L (limiting)	L
Over current	L	L	L
Over-temperature	H	L (cycling)	L
Over-temperature	L	L	L

### Typical Connection



### Packages



## Absolute Maximum Ratings

Absolute maximum ratings indicate sustained limits beyond which damage to the device may occur. All voltage parameters are referenced to GROUND lead. ( $T_j = 25^{\circ}\text{C}$  unless otherwise specified).

Symbol	Parameter	Min.	Max.	Units	Test Conditions
$V_{out}$	Maximum output voltage	$V_{CC}-50$	$V_{CC}+0.3$	V	
$V_{offset}$	Maximum logic ground to load ground offset	$V_{CC}-50$	$V_{CC}+0.3$		
$V_{in}$	Maximum Input voltage	-0.3	5.5		
$V_{CC\ max}$	Maximum Vcc voltage	—	50		
$I_{in, \max.}$	Maximum IN current	-5	10	mA	
$V_{dg}$	Maximum diagnostic output voltage	-0.3	5.5	V	
$I_{dg, \max.}$	Maximum diagnostic output current	-1	10	mA	
$I_{sd\ cont.}$	Diode max. permanent current <sup>(1)</sup>	—	2.2	A	
$I_{sd\ pulsed}$	Diode max. pulsed current <sup>(1)</sup>	—	10		
ESD1	Electrostatic discharge voltage (Human Body)	—	4	kV	C=100pF, R=1500Ω,
ESD2	Electrostatic discharge voltage (Machine Model)	—	0.5		C=200pF, R=0Ω, L=10μH
$P_d$	Maximum power dissipation <sup>(1)</sup> ( $T_C=25^{\circ}\text{C}$ ) IPS511 ( $r_{th}=80^{\circ}\text{C/W}$ ) IPS511S	—	25	W	
		—	1.56		
$T_j\ \max.$	Max. storage & operating junction temp.	-40	+150	$^{\circ}\text{C}$	
$T_{lead}$	Lead temperature (soldering 10 seconds)	—	300		

## Thermal Characteristics

Symbol	Parameter	Min.	Typ.	Max.	Units	Test Conditions
$R_{th\ 1}$	Thermal resistance junction to case	—	5	—	$^{\circ}\text{C/W}$	TO-220
$R_{th\ 2}$	Thermal resistance junction to ambient	—	60	—		
$R_{th\ 1}$	Thermal resistance with standard footprint	—	60	—		
$R_{th\ 2}$	Thermal resistance with 1" square footprint	—	40	—		D <sup>2</sup> PAK (SMD220)
$R_{th\ 3}$	Thermal resistance junction to case	—	5	—		

(1) Limited by junction temperature (pulsed current limited also by internal wiring)

## Recommended Operating Conditions

These values are given for a quick design. For operation outside these conditions, please consult the application notes.

Symbol	Parameter	Min.	Max.	Units
V <sub>CC</sub>	Continuous V <sub>CC</sub> voltage	5.5	35	V
V <sub>IH</sub>	High level input voltage	4	5.5	
V <sub>IL</sub>	Low level input voltage	-0.3	0.9	
I <sub>out</sub> T <sub>amb</sub> =85°C	Continuous output current (T <sub>Ambient</sub> = 85°C, T <sub>J</sub> = 125°C, R <sub>th</sub> < 60°C/W) IPS511 (T <sub>Ambient</sub> = 85°C, T <sub>J</sub> = 125°C, R <sub>th</sub> = 80°C/W) IPS511	—	1.7 1.5	A
R <sub>in</sub>	Recommended resistor in series with IN pin	4	6	kΩ
R <sub>dg</sub>	Recommended resistor in series with DG pin	10	20	

## Static Electrical Characteristics

(T<sub>J</sub> = 25°C, V<sub>CC</sub> = 14V unless otherwise specified.)

Symbol	Parameter	Min.	Typ.	Max.	Units	Test Conditions
R <sub>ds(on)</sub> @T <sub>J</sub> =25°C	ON state resistance T <sub>J</sub> = 25°C	—	110	135	mΩ	V <sub>in</sub> = 5V, I <sub>out</sub> = 2.5A
R <sub>ds(on)</sub> (V <sub>CC</sub> =6V)	ON state resistance @ V <sub>CC</sub> = 6V	—	110	135		V <sub>in</sub> = 5V, I <sub>out</sub> = 1A
R <sub>ds(on)</sub> @T <sub>J</sub> =150°C	ON state resistance T <sub>J</sub> = 150°C	—	200	—		V <sub>in</sub> = 5V, I <sub>out</sub> = 2.5A
V <sub>CC oper.</sub>	Operating voltage range	5.5	—	35	V	
V <sub>clamp 1</sub>	V <sub>CC</sub> to OUT clamp voltage 1	50	56	—		I <sub>d</sub> = 10mA (see Fig.1 & 2)
V <sub>clamp 2</sub>	V <sub>CC</sub> to OUT clamp voltage 2	—	58	65		I <sub>d</sub> = I <sub>sd</sub> (see Fig.1 & 2)
V <sub>f</sub>	Body diode forward voltage	—	0.9	1.2		I <sub>d</sub> = 2.5A, V <sub>in</sub> = 0V
I <sub>CC off</sub>	Supply current when OFF	—	16	50	μA	V <sub>in</sub> = 0V, V <sub>out</sub> = 0V
I <sub>CC on</sub>	Supply current when ON	—	0.7	2	mA	V <sub>in</sub> = 5V
I <sub>CC ac</sub>	Ripple current when ON (AC RMS)	—	20	—	μA	V <sub>in</sub> = 5V
V <sub>dgl</sub>	Low level diagnostic output voltage	—	0.15	0.4	V	I <sub>dg</sub> = 1.6 mA
I <sub>oh</sub>	Output leakage current	—	60	110	μA	V <sub>out</sub> = 6V
I <sub>ol</sub>	Output leakage current	0	—	25		V <sub>out</sub> = 0V
I <sub>dg leakage</sub>	Diagnostic output leakage current	—	—	10		V <sub>dg</sub> = 5.5V
V <sub>ih</sub>	IN high threshold voltage	—	2.3	3	V	
V <sub>il</sub>	IN low threshold voltage	1	1.95	—		
I <sub>in, on</sub>	On state IN positive current	—	70	200	μA	V <sub>in</sub> = 5V
I <sub>n hyst.</sub>	Input hysteresis	0.1	0.25	0.5	V	

## Switching Electrical Characteristics

$V_{CC} = 14V$ , Resistive Load =  $5.6\Omega$ ,  $T_j = 25^\circ C$ , (unless otherwise specified).

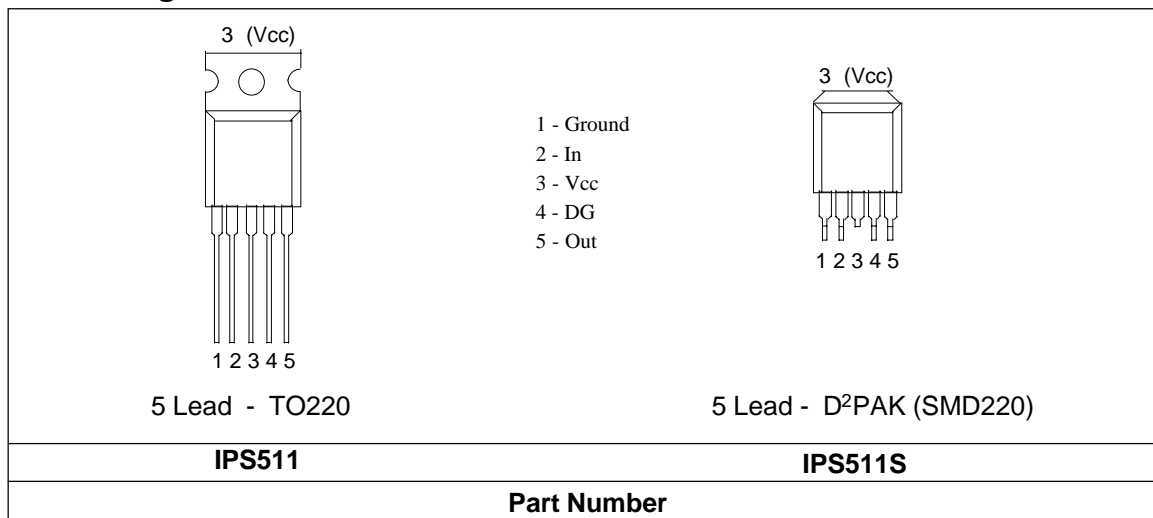
Symbol	Parameter	Min.	Typ.	Max.	Units	Test Conditions
$T_{don}$	Turn-on delay time	—	7	50	$\mu s$	See figure 3
$T_{r1}$	Rise time to $V_{out} = V_{CC} - 5V$	—	10	50		
$T_{r2}$	Rise time $V_{CC} - 5V$ to $V_{out} = 90\%$ of $V_{CC}$	—	45	100		
$dV/dt$ (on)	Turn ON $dV/dt$	—	1.3	4	$V/\mu s$	
$E_{on}$	Turn ON energy	—	400	—	$\mu J$	
$T_{doff}$	Turn-off delay time	—	15	50	$\mu s$	See figure 4
$T_f$	Fall time to $V_{out} = 10\%$ of $V_{CC}$	—	10	50		
$dV/dt$ (off)	Turn OFF $dV/dt$	—	2	6		
$E_{off}$	Turn OFF energy	—	80	—	$\mu J$	
$T_{diag}$	$V_{out}$ to $V_{diag}$ propagation delay	—	5	15	$\mu s$	See figure 6

## Protection Characteristics

Symbol	Parameter	Min.	Typ.	Max.	Units	Test Conditions
$I_{lim}$	Internal current limit	3	5	7	A	$V_{out} = 0V$
$T_{sd+}$	Over-temp. positive going threshold	—	165	—	$^\circ C$	See fig. 2
$T_{sd-}$	Over-temp. negative going threshold	—	158	—	$^\circ C$	See fig. 2
$V_{sc}$	Short-circuit detection voltage (3)	2	3	4	V	See fig. 2
$V_{open\ load}$	Open load detection threshold	2	3	4	V	

(3) Referenced to  $V_{CC}$

## Lead Assignments



**Functional Block Diagram**

All values are typical

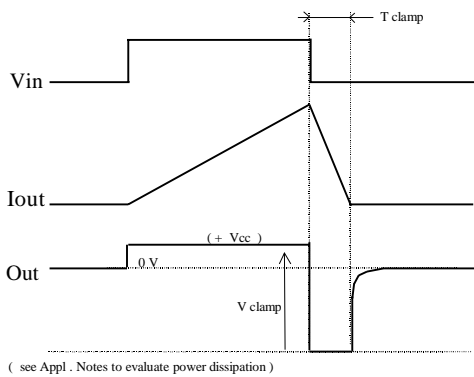
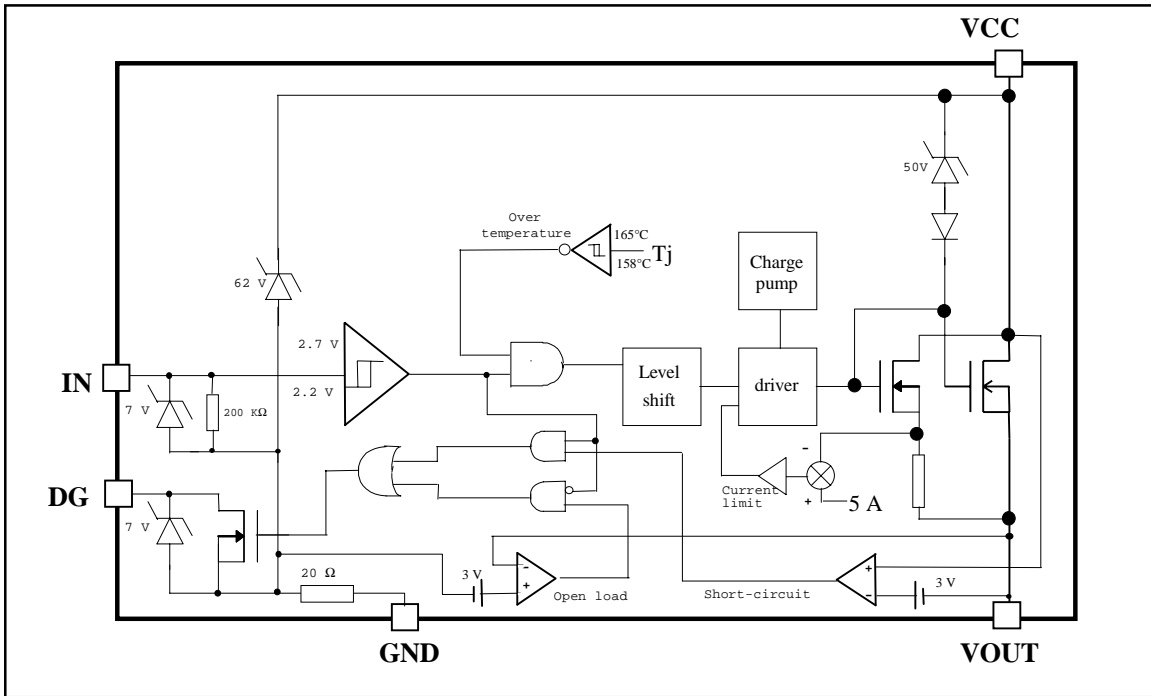


Figure 1 - Active clamp waveforms

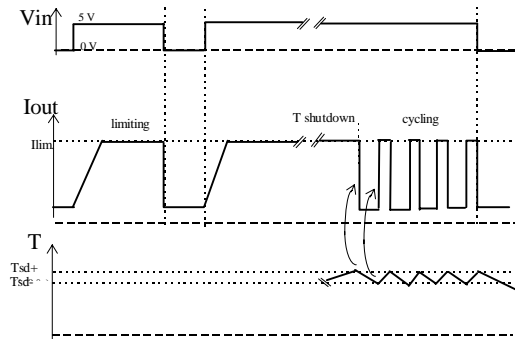


Figure 2 - Protection timing diagram

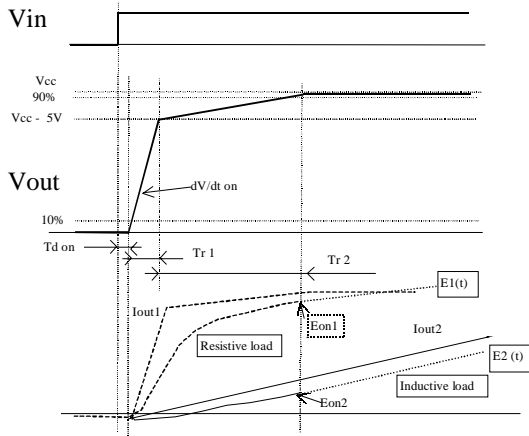


Figure 3 - Switching times definition (turn-on)  
Turn on energy with a resistive or an inductive load

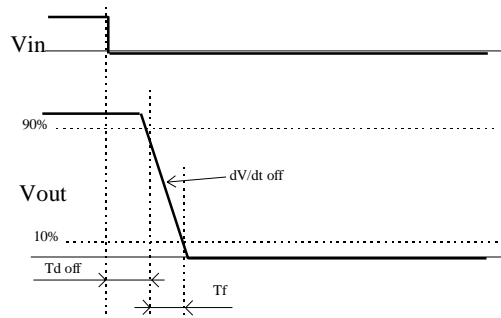


Figure 4 - Switching times definition (turn-off)

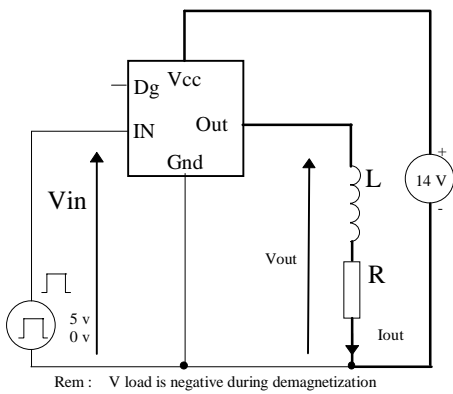


Figure 5 - Active clamp test circuit

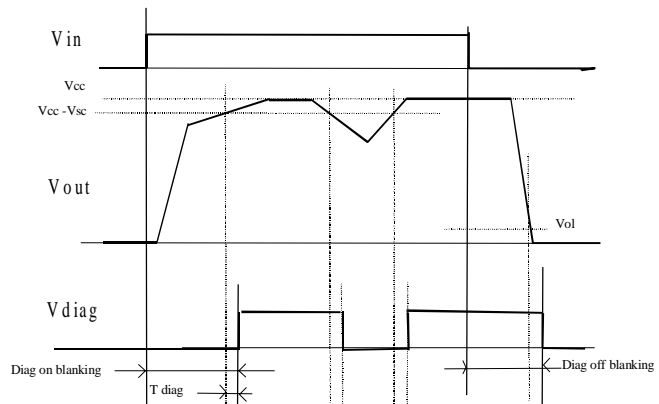


Figure 6 - Diagnostic delay definitions

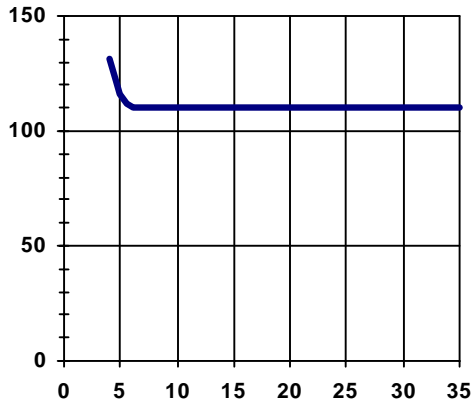


Figure 7 - R<sub>ds(on)</sub> (mΩ) Vs V<sub>CC</sub> (V)

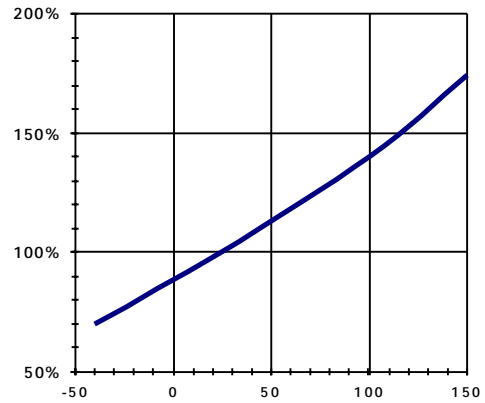


Figure 8 - Normalized R<sub>ds(on)</sub> (%) Vs T<sub>j</sub> (°C)

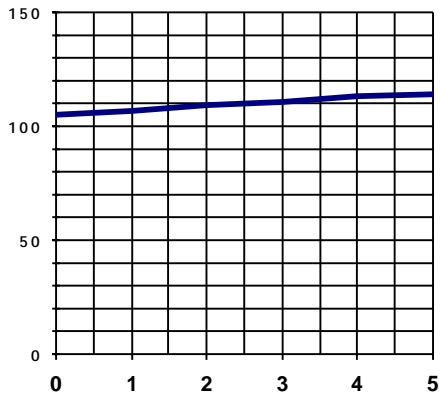


Figure 9 - R<sub>ds(on)</sub> (mΩ) Vs I<sub>out</sub> (A)

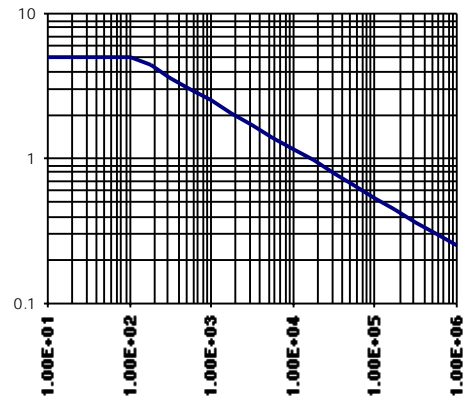


Figure 10 - Max. I<sub>out</sub> (A) Vs Load Inductance (μH)

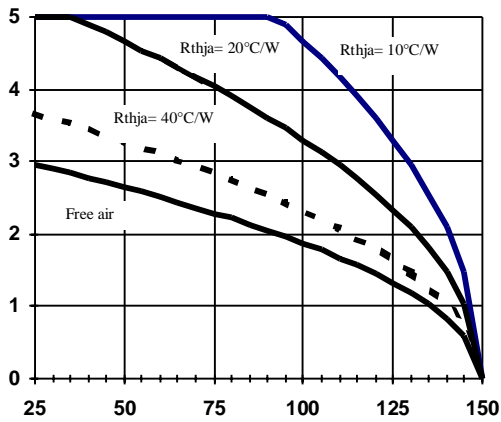


Figure 11a - Max load current (A) Vs Tamb (°C)  
IPS511

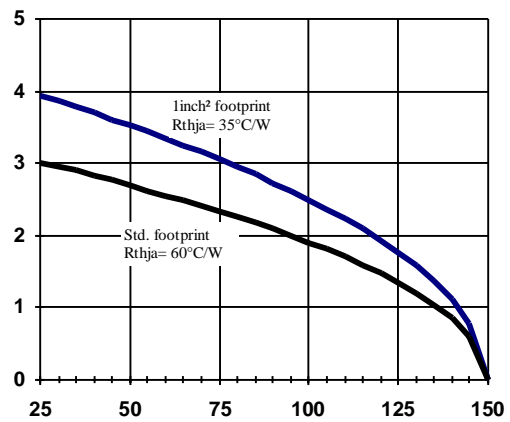


Figure 11b - Max load current (A) Vs Tamb (°C)  
IPS511S

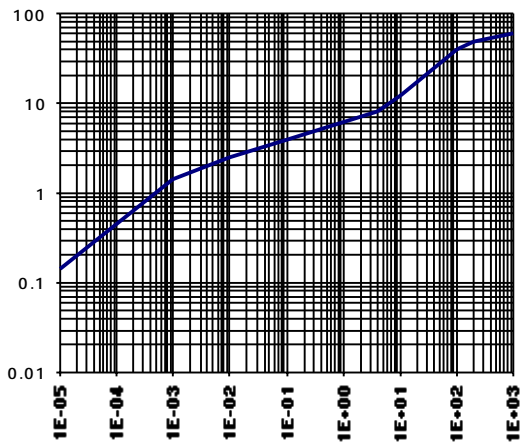


Figure 12 - Transient Thermal Impedance (°C/W)  
Vs Time (S)

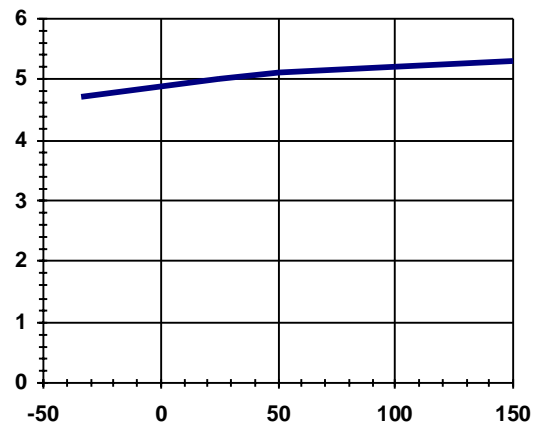


Figure 13 - Ilim (A) Vs Tj (°C)



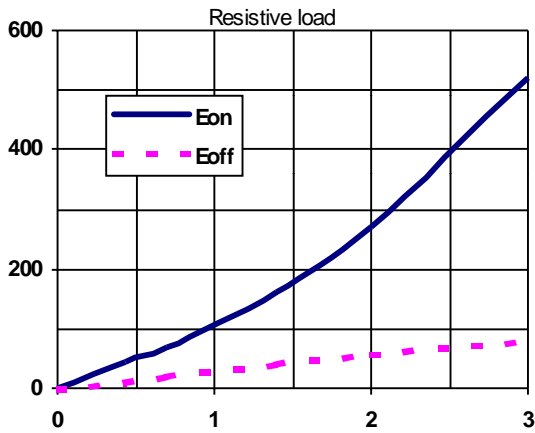


Figure 14 - E<sub>on</sub>, E<sub>off</sub> (μJ) (A) Vs I<sub>out</sub> (A)

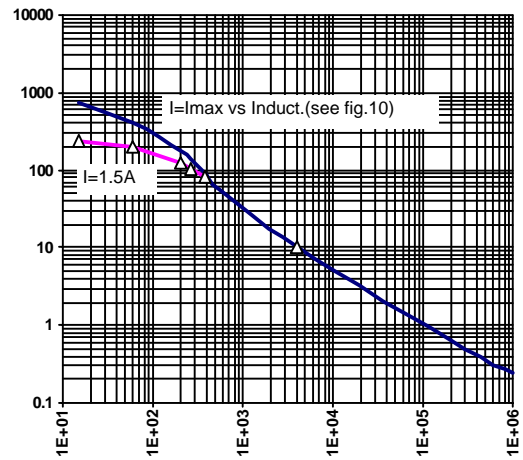


Figure 15 - E<sub>on</sub> (μJ) Vs Load Inductance (μH)  
(see Fig. 3)

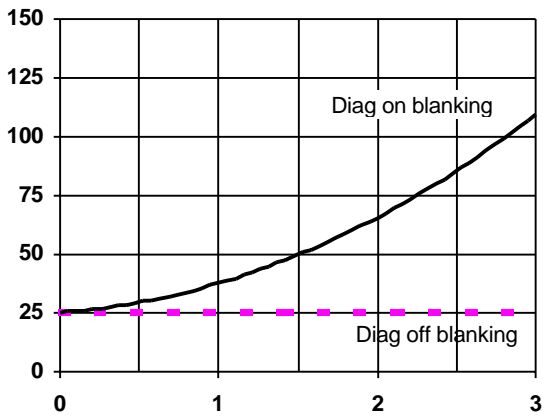


Figure 16 - Diag Blanking time (μs) Vs I<sub>out</sub> (A)  
(resistive load - see Fig. 6)

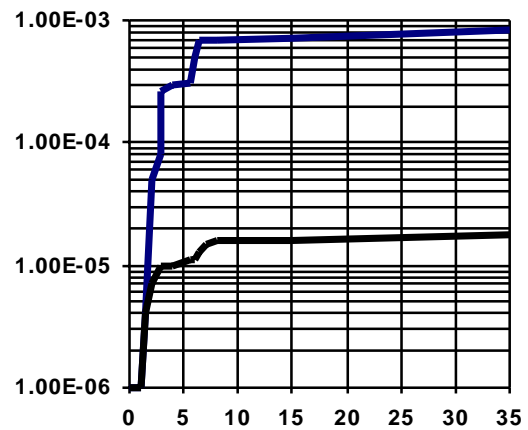


Figure 17 - I<sub>CC</sub> (mA) Vs V<sub>CC</sub> (V)

# IPS511/IPS511S

International  
IR Rectifier

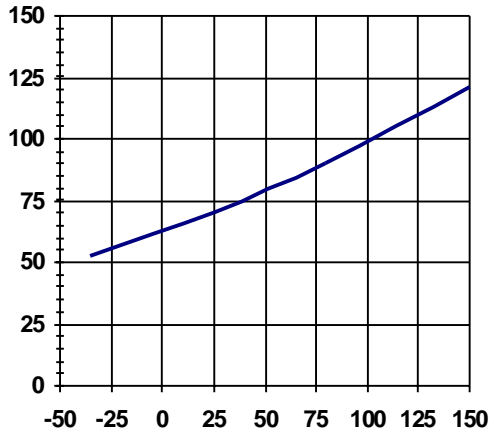
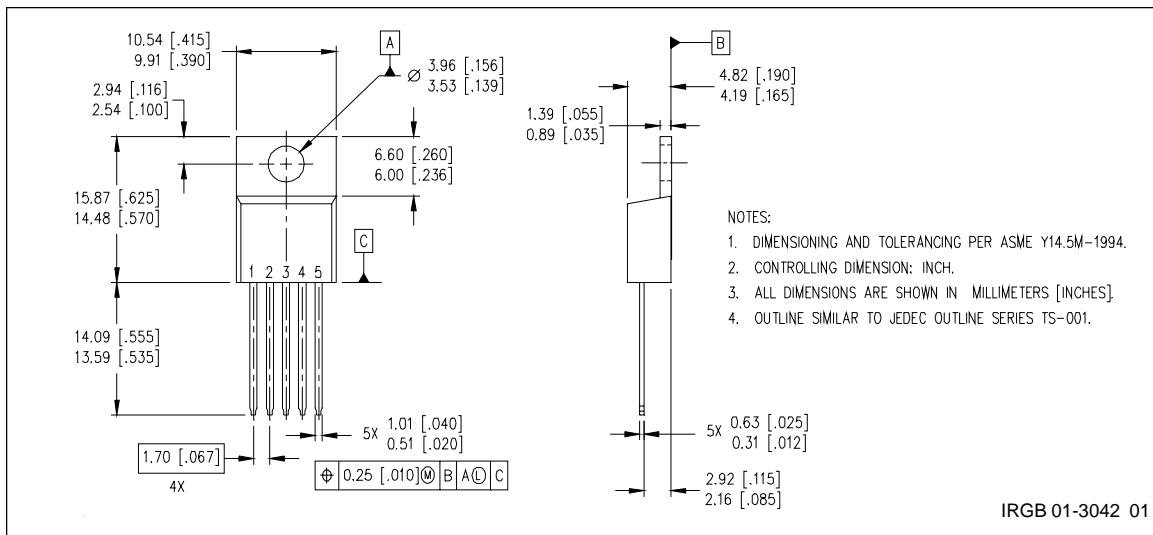
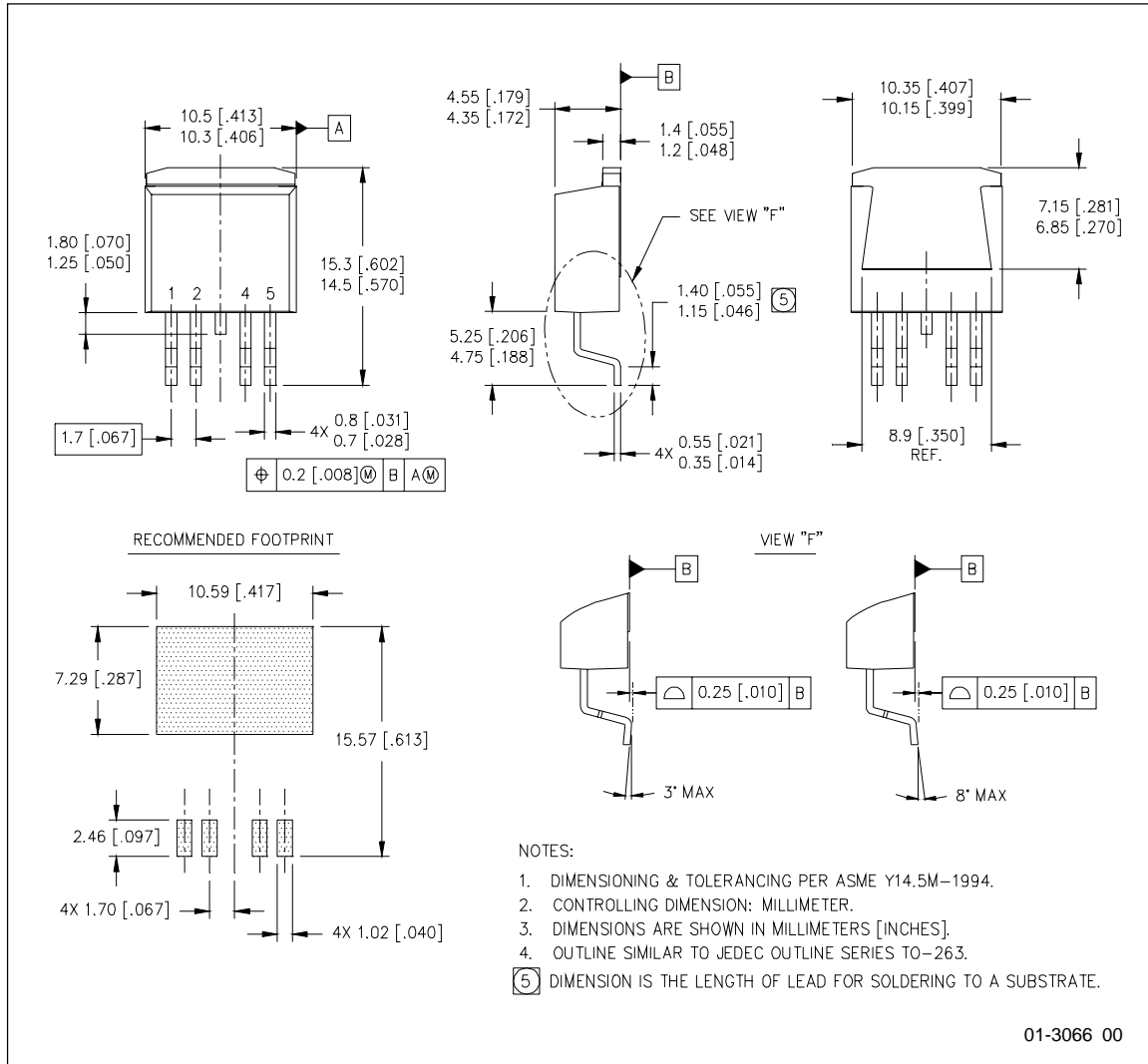


Figure 18 - I<sub>in</sub> @ V<sub>in</sub> = 5V (μA) Vs T<sub>j</sub> (°C)

## Case Outline 5 Lead - TO220



Case Outline 5 Lead - D<sup>2</sup>PAK (SMD220)





Note: For the most current drawings please refer to the IR website at:  
<http://www.irf.com/package/>

## X-ON Electronics

Largest Supplier of Electrical and Electronic Components

*Click to view similar products for [Gate Drivers](#) category:*

*Click to view products by [Infineon](#) manufacturer:*

Other Similar products are found below :

[00053P0231](#) [56956](#) [57.404.7355.5](#) [LT4936](#) [57.904.0755.0](#) [5882900001](#) [00600P0005](#) [00-9050-LRPP](#) [00-9090-RDPP](#) [5951900000](#) [01-1003W-10/32-15](#) [0131700000](#) [00-2240](#) [LTP70N06](#) [LVP640](#) [5J0-1000LG-SIL](#) [LY1D-2-5S-AC120](#) [LY2-US-AC240](#) [LY3-UA-DC24](#) [00576P0020](#) [00600P0010](#) [LZN4-UA-DC12](#) [LZNQ2M-US-DC5](#) [LZNQ2-US-DC12](#) [LZP40N10](#) [00-8196-RDPP](#) [00-8274-RDPP](#) [00-8275-RDNP](#) [00-8722-RDPP](#) [00-8728-WHPP](#) [00-8869-RDPP](#) [00-9051-RDPP](#) [00-9091-LRPP](#) [00-9291-RDPP](#) [0207100000](#) [0207400000](#) [01312](#) [0134220000](#) [60713816](#) [M15730061](#) [61161-90](#) [61278-0020](#) [6131-204-23149P](#) [6131-205-17149P](#) [6131-209-15149P](#) [6131-218-17149P](#) [6131-220-21149P](#) [6131-260-2358P](#) [6131-265-11149P](#) [CS1HCPU63](#)