

# IR2175(S) & (PbF)

## LINEAR CURRENT SENSING IC

### Features

- Floating channel up to +600V
- Monolithic integration
- Linear current feedback through shunt resistor
- Direct digital PWM output for easy interface
- Low IQBS allows the boot strap power supply
- Independent fast overcurrent trip signal
- High common mode noise immunity
- Input overvoltage protection for IGBT short circuit condition
- Open Drain outputs
- Also available LEAD-FREE

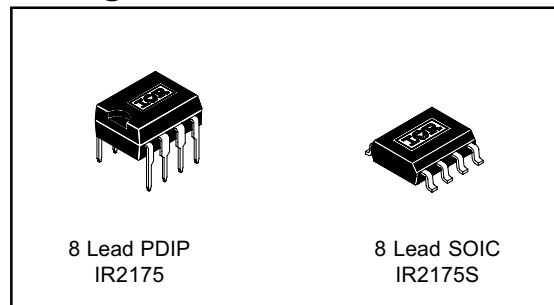
### Description

The IR2175 is a monolithic current sensing IC designed for motor drive applications. It senses the motor phase current through an external shunt resistor, converts from analog to digital signal, and transfers the signal to the low side. IR's proprietary high voltage isolation technology is implemented to enable the high bandwidth signal processing. The output format is discrete PWM to eliminate need for the A/D input interface for the IR2175. The dedicated overcurrent trip (OC) signal facilitates IGBT short circuit protection. The open-drain outputs make easy for any interface from 3.3V to 15V. S

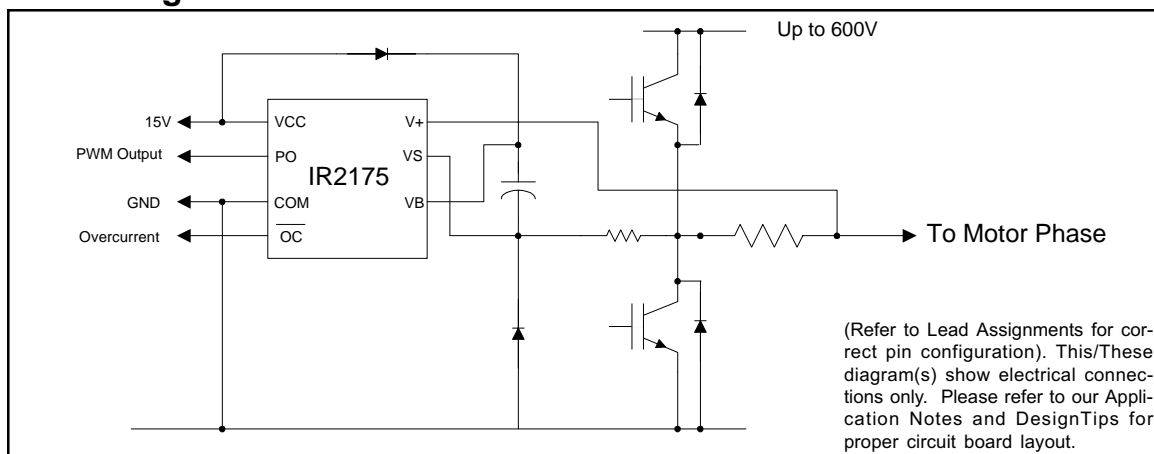
### Product Summary

V <sub>OFFSET</sub>	600V <sub>max</sub>
I <sub>QBS</sub>	2mA
V <sub>in</sub>	+/-260mV <sub>max</sub>
Gain temp.drift	20ppm/°C (typ.)
f <sub>o</sub>	130kHz (typ.)
Overcurrent trip signal delay	2μsec (typ)
Overcurrent trip level	+/-260mV (typ.)

### Packages



### Block Diagram



# IR2175(S) & (PbF)

## Absolute Maximum Ratings

Absolute maximum ratings indicate sustained limits beyond which damage to the device may occur. All voltage parameters are absolute voltages referenced to COM, all currents are defined positive into any lead. The thermal resistance and power dissipation ratings are measured under board mounted and still air conditions.

Symbol	Definition	Min.	Max.	Units	
V <sub>S</sub>	High side offset voltage	-0.3	600	V	
V <sub>BS</sub>	High side floating supply voltage	-0.3	25		
V <sub>CC</sub>	Low side and logic fixed supply voltage	-0.3	25		
V <sub>IN</sub>	Maximum input voltage between V <sub>IN+</sub> and V <sub>S</sub>	-5	5		
V <sub>PO</sub>	Digital PWM output voltage	COM -0.3	VCC +0.3		
V <sub>OC</sub>	Overcurrent output voltage	COM -0.3	VCC +0.3		
dV/dt	Allowable offset voltage slew rate	—	50	V/ns	
P <sub>D</sub>	Package power dissipation @ T <sub>A</sub> ≤ +25°C	8 lead SOIC	—	.625	W
		8 lead PDIP	—	1.0	
R <sub>thJA</sub>	Thermal resistance, junction to ambient	8 lead SOIC	—	200	°C/W
		8 lead PDIP	—	125	
T <sub>J</sub>	Junction temperature	—	150	°C	
T <sub>S</sub>	Storage temperature	-55	150		
T <sub>L</sub>	Lead temperature (soldering, 10 seconds)	—	300		

Note 1: Capacitors are required between V<sub>B</sub> and V<sub>S</sub> when bootstrap power is used. The external power supply, when used, is required between V<sub>B</sub> and V<sub>S</sub> pins.

## Recommended Operating Conditions

The output logic timing diagram is shown in figure 1. For proper operation the device should be used within the recommended conditions.

Symbol	Definition	Min.	Max.	Units
V <sub>B</sub>	High side floating supply voltage	V <sub>S</sub> +13.0	V <sub>S</sub> +20	V
V <sub>S</sub>	High side floating supply offset voltage	0.3	600	
V <sub>PO</sub>	Digital PWM output voltage	COM	VCC	
V <sub>OC</sub>	Overcurrent output voltage	COM	VCC	
V <sub>CC</sub>	Low side and logic fixed supply voltage	9.5	20	
V <sub>IN</sub>	Input voltage between V <sub>IN+</sub> and V <sub>S</sub>	-260	+260	mV
T <sub>A</sub>	Ambient temperature	-40	125	°C

**DC Electrical Characteristics**

$V_{CC} = V_{BS} = 15V$ , and  $T_A = 25^\circ$  unless otherwise specified.

Symbol	Definition	Min.	Typ.	Max.	Units	Test Conditions
$V_{IN}$	Nominal input voltage range before saturation $V_{IN+} - V_S$	-260	—	260	mV	
$V_{OC+}$	Overcurrent trip positive input voltage	—	260	—		
$V_{OC-}$	Overcurrent trip negative input voltage	—	-260	—		
$V_{OS}$	Input offset voltage	-10	0	10		$V_{IN} = 0V$ (Note 1)
$\Delta V_{OS}/\Delta T_A$	Input offset voltage temperature drift	—	25	—	$\mu V/^\circ C$	
G	Gain (duty cycle % per $V_{IN}$ )	155	160	165	%/V	max gain error=5% (Note 2)
$\Delta G/\Delta T_A$	Gain temperature drift	—	20	—	ppm/°C	
$I_{LK}$	Offset supply leakage current	—	—	50	$\mu A$	$V_B = V_S = 600V$
$I_{QBS}$	Quiescent $V_{BS}$ supply current	—	2	—	mA	$V_S = 0V$
$I_{QCC}$	Quiescent $V_{CC}$ supply current	—	—	0.5		
LIN	Linearity (duty cycle deviation from ideal linearity curve)	—	0.5	1	%	
$\Delta V_{LIN}/\Delta T_A$	Linearity temperature drift	—	.005	—	%/°C	
$I_{OPO}$	Digital PWM output sink current	20	—	—	mA	$V_O = 1V$
		2	—	—		$V_O = 0.1V$
$I_{OCC}$	OC output sink current	10	—	—		$V_O = 1V$
		1	—	—		$V_O = 0.1V$

Note 1:  $\pm 10mV$  offset represents  $\pm 1.5\%$  duty cycle fluctuation

Note 2: Gain = (full range of duty cycle in %) / (full input voltage range).

**AC Electrical Characteristics**

$V_{CC} = V_{BS} = 15V$ , and  $T_A = 25^\circ$  unless otherwise specified.

Symbol	Definition	Min.	Typ.	Max.	Units	Test Conditions
<b>Propagation delay characteristics</b>						
$f_o$	Carrier frequency output	100	130	180	kHz	figure 1
$\Delta f/\Delta T_A$	Temperature drift of carrier frequency	—	500	—	ppm/°C	$V_{IN} = 0$ & $5V$
Dmin	Minimum duty	—	9	—	%	$V_{IN+} = -260mV$ ,
Dmax	Maximum duty	—	91	—	%	$V_{IN+} = +260mV$
BW	$f_o$ bandwidth	—	15	—	kHz	$V_{IN+} = 100mV_{pk-pk}$ sine wave, gain=-3dB
PHS	Phase shift at 1kHz	—	-10	—	°	$V_{IN+} = 100mV_{pk-pk}$ sine wave
tdoc	Propagation delay time of OC	1	2	—	$\mu sec$	
twoc	Low true pulse width of OC	—	1.5	—		

## Timing Waveforms

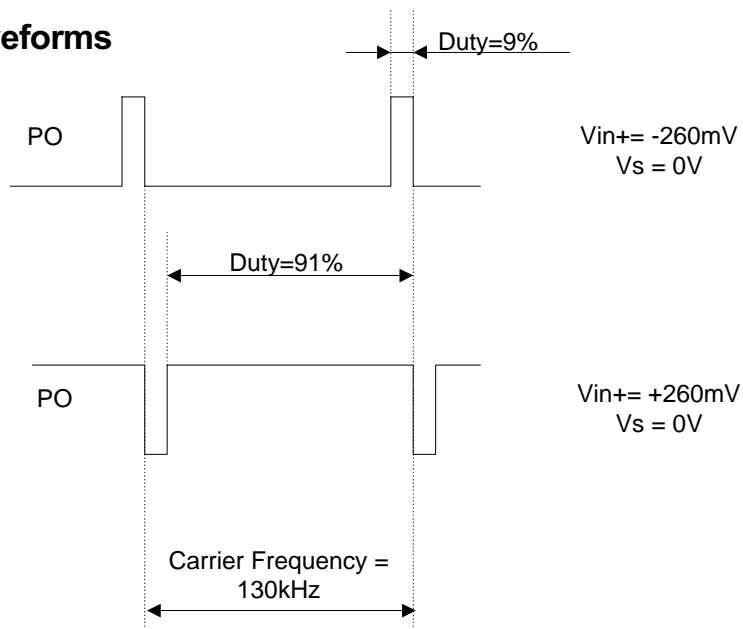


Figure 1 Output waveform

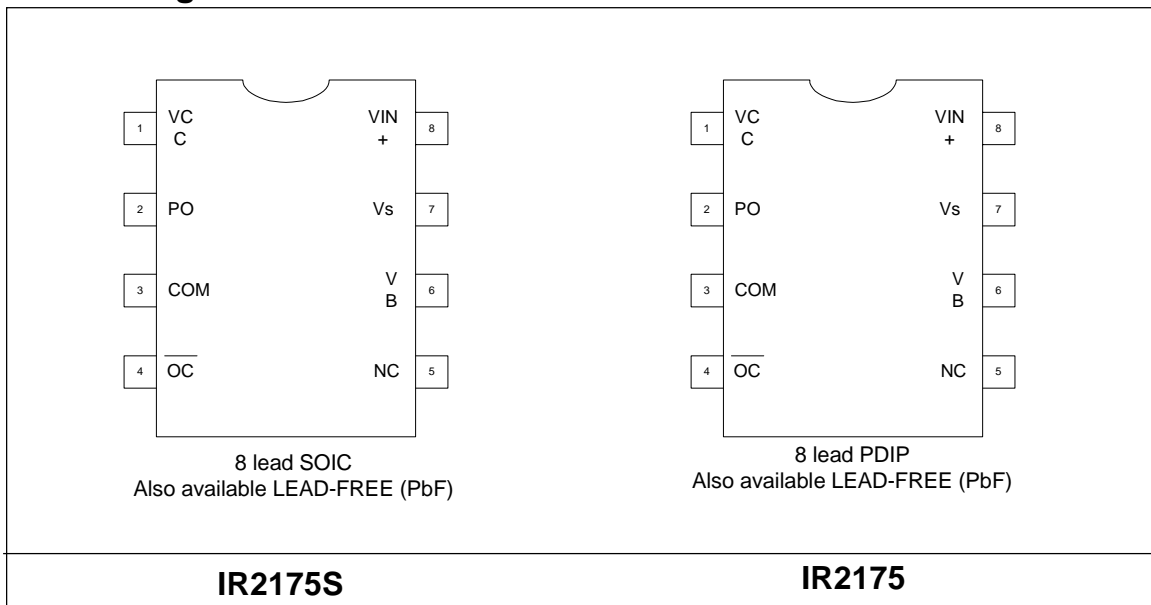
### Application Hint:

Temperature drift of the output carrier frequency can be cancelled by measuring both a PWM period and the on-time of PWM (Duty) at the same time. Since both periods vary in the same direction, computing the ratio between these values at each PWM period gives consistent measurement of the current feedback over the temperature drift.

**Lead Definitions**

Symbol	Description
V <sub>CC</sub>	Low side and logic supply voltage
COM	Low side logic ground
V <sub>IN+</sub>	Positive sense input
V <sub>B</sub>	High side supply
V <sub>S</sub>	High side return
PO	Digital PWM output
$\overline{OC}$	Overcurrent output (negative logic)
N.C.	No connection

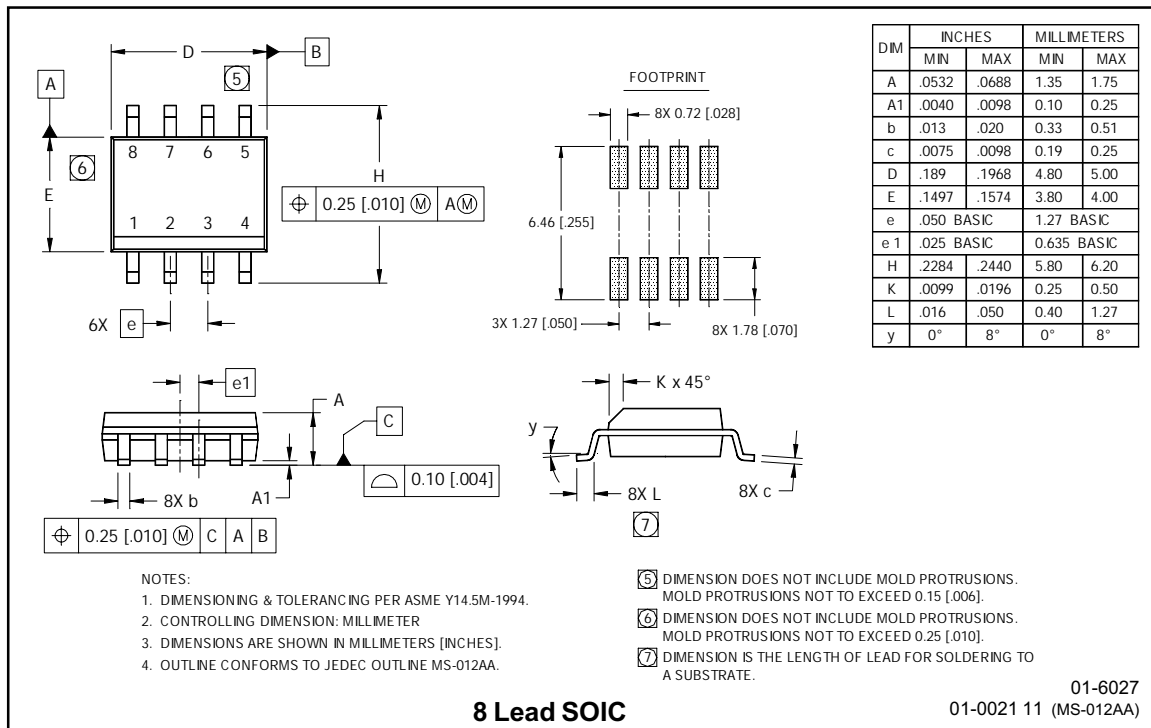
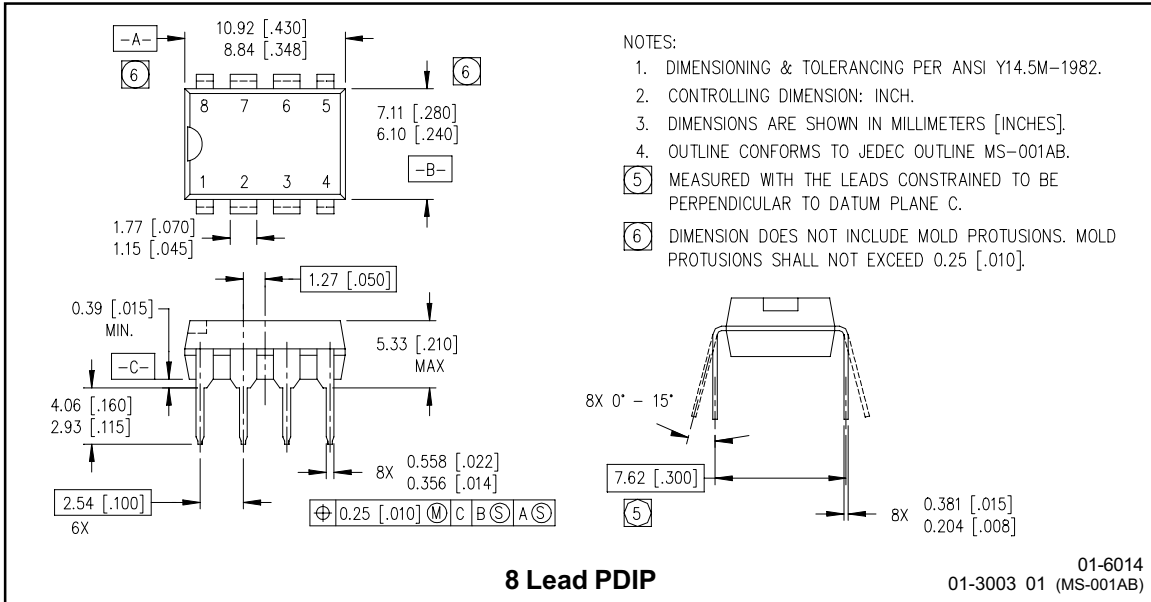
**Lead Assignment**



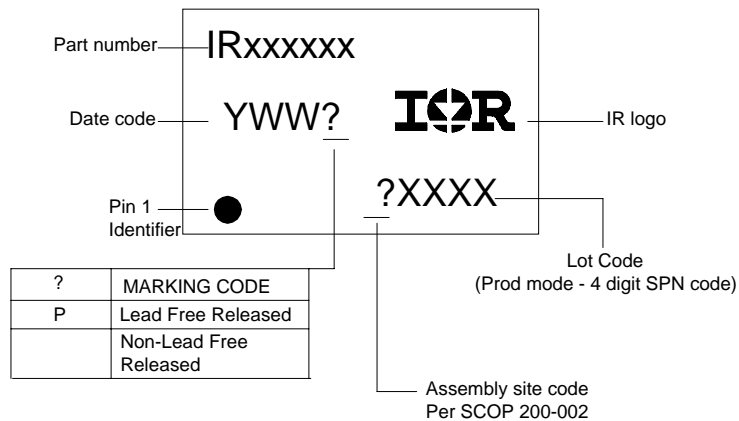
# IR2175(S) & (PbF)

International  
**IR** Rectifier

## Case Outlines



## LEADFREE PART MARKING INFORMATION



## ORDER INFORMATION

### Basic Part (Non-Lead Free)

8-Lead PDIP IR2175 order IR2175  
 8-Lead SOIC IR2175S order IR2175S

### Leadfree Part

8-Lead PDIP IR2175 order IR2175PbF  
 8-Lead SOIC IR2175S order IR2175SPbF

## X-ON Electronics

Largest Supplier of Electrical and Electronic Components

*Click to view similar products for [Motor/Motion/Ignition Controllers & Drivers](#) category:*

*Click to view products by [Infineon](#) manufacturer:*

Other Similar products are found below :

[FSB50550TB2](#) [FSBF15CH60BTH](#) [MSVCPM2-63-12](#) [MSVGW45-14-2](#) [MSVGW54-14-3](#) [MSVGW54-14-5](#) [NTE7043](#) [LA6565VR-TLM-E](#)  
[LB11650-E](#) [LB1837M-TLM-E](#) [LB1845DAZ-XE](#) [LC898300XA-MH](#) [SS30-TE-L-E](#) [26700](#) [LV8281VR-TLM-H](#) [BA5839FP-E2](#) [IRAM236-1067A](#) [LA6584JA-AH](#) [LB11847L-E](#) [NCV70501DW002R2G](#) [AH293-PL-B](#) [STK672-630CN-E](#) [TND315S-TL-2H](#) [FNA23060](#) [FSB50250AB](#)  
[FNA41060](#) [MSVB54](#) [MSVBTC50E](#) [MSVCPM3-54-12](#) [MSVCPM3-63-12](#) [MSVCPM4-63-12](#) [MSVTA120](#) [FSB50550AB](#)  
[NCV70501DW002G](#) [LC898301XA-MH](#) [LV8413GP-TE-L-E](#) [MSVGW45-14-3](#) [MSVGW45-14-4](#) [MSVGW45-14-5](#) [MSVGW54-14-4](#)  
[STK984-091A-E](#) [SLA7026M](#) [MP6519GQ-Z](#) [LB11651-E](#) [IRSM515-025DA4](#) [LV8127T-TLM-H](#) [NCP81382MNTXG](#) [TDA21801](#)  
[LB11851FA-BH](#) [NCV70627DQ001R2G](#)