

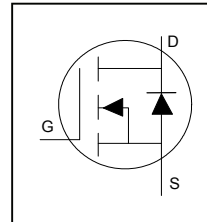
Application

- Optimized for UPS/Inverter Applications
- Low Voltage Power Tools

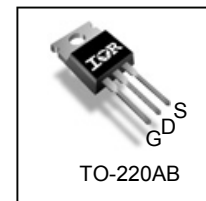
Benefits

- Best in Class Performance for UPS/Inverter Applications
- Very Low RDS(on) at 4.5V VGS
- Ultra-Low Gate Impedance
- Fully Characterized Avalanche Voltage and Current
- Lead-Free, RoHS Compliant

HEXFET® Power MOSFET



| | | |
|--|--------------|-----------|
| V_{DSS} | 30 | V |
| R_{DS(on)} max (@ V _{GS} = 10V) | 2.4 | mΩ |
| (@ V _{GS} = 4.5V) | 3.2 | |
| Q_g (typical) | 40 | nC |
| I_D (Silicon Limited) | 171 Ⓞ | A |
| I_D (Package Limited) | 130A | |



| | | |
|----------|----------|----------|
| G | D | S |
| Gate | Drain | Source |

| Base part number | Package Type | Standard Pack | | Orderable Part Number |
|------------------|--------------|---------------|----------|-----------------------|
| | | Form | Quantity | |
| IRLB8314PbF | TO-220AB | Tube | 50 | IRLB8314PbF |

Absolute Maximum Rating

| Symbol | Parameter | Max. | Units |
|---|---|---------------------|-------|
| V _{GS} | Gate-to-Source Voltage | ± 20 | V |
| I _D @ T _C = 25°C | Continuous Drain Current, V _{GS} @ 10V (Silicon Limited) | 171Ⓞ | A |
| I _D @ T _C = 100°C | Continuous Drain Current, V _{GS} @ 10V (Silicon Limited) | 120 | |
| I _D @ T _C = 25°C | Continuous Drain Current, V _{GS} @ 10V (Package Limited) | 130 | |
| I _{DM} | Pulsed Drain Current ① | 664 | |
| P _D @ T _C = 25°C | Maximum Power Dissipation | 125 | W |
| P _D @ T _C = 100°C | Maximum Power Dissipation | 63 | W |
| | Linear Derating Factor | 0.83 | W/°C |
| T _J | Operating Junction and | -55 to + 175 | °C |
| T _{STG} | Storage Temperature Range | | |
| | Soldering Temperature, for 10 seconds (1.6mm from case) | 300 | |
| | Mounting Torque, 6-32 or M3 Screw | 10 lbf·in (1.1 N·m) | |

Thermal Resistance

| Symbol | Parameter | Typ. | Max. | Units |
|------------------|------------------------------------|------|------|-------|
| R _{θJC} | Junction-to-Case ④ | — | 1.2 | °C/W |
| R _{θCS} | Case-to-Sink, Flat Greased Surface | 0.50 | — | |
| R _{θJA} | Junction-to-Ambient | — | 62 | |

Notes ① through ④ are on page 8

Static @ T_J = 25°C (unless otherwise specified)

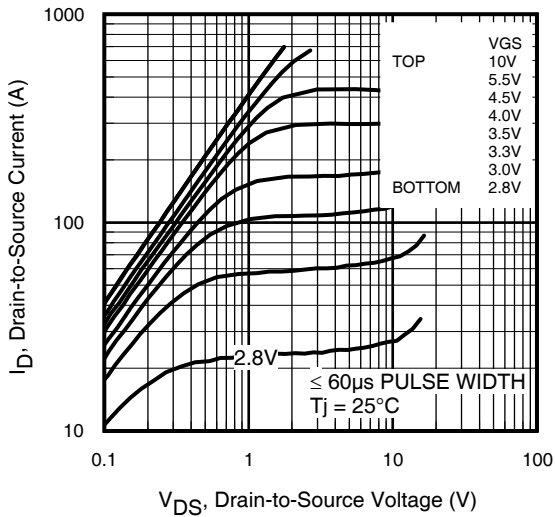
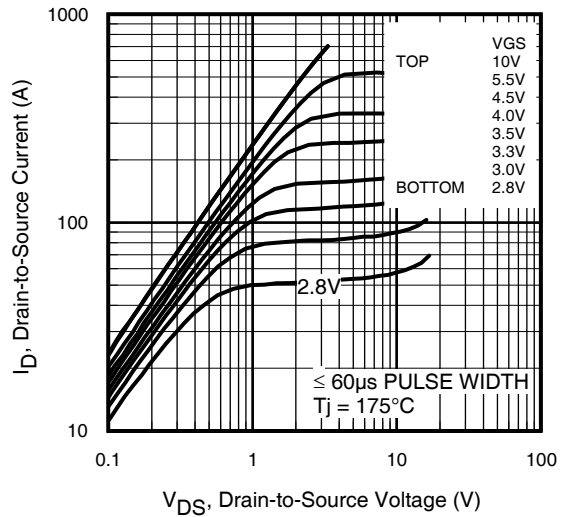
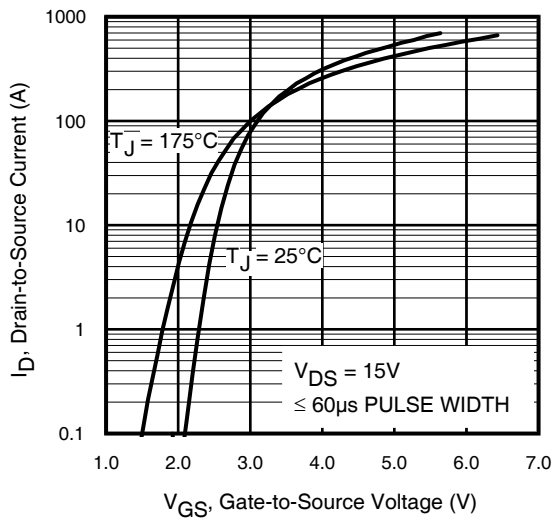
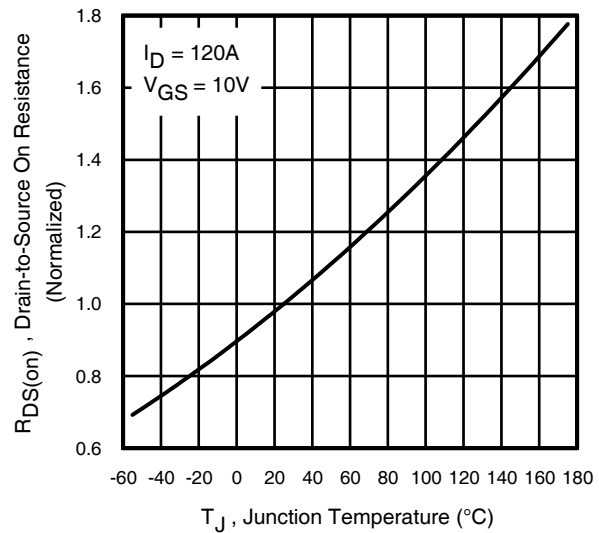
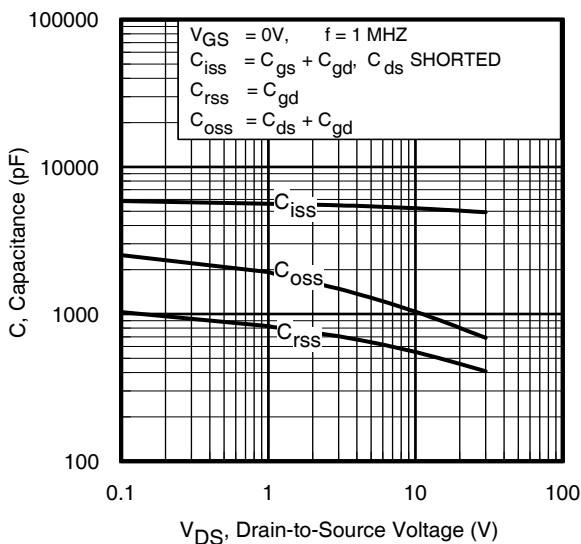
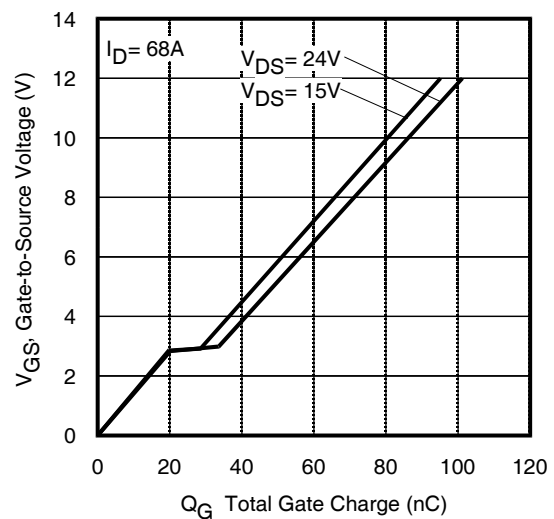
| Symbol | Parameter | Min. | Typ. | Max. | Units | Conditions |
|---------------------------------------|---|------|------|------|-------|--|
| BV _{DSS} | Drain-to-Source Breakdown Voltage | 30 | — | — | V | V _{GS} = 0V, I _D = 250μA |
| ΔBV _{DSS} /ΔT _J | Breakdown Voltage Temp. Coefficient | — | 14 | — | mV/°C | Reference to 25°C, I _D = 1mA ① |
| R _{DS(on)} | Static Drain-to-Source On-Resistance | — | 1.9 | 2.4 | mΩ | V _{GS} = 10V, I _D = 68A ③ |
| | | — | 2.6 | 3.2 | | V _{GS} = 4.5V, I _D = 68A ③ |
| V _{GS(th)} | Gate Threshold Voltage | 1.2 | 1.7 | 2.2 | V | V _{DS} = V _{GS} , I _D = 100μA |
| ΔV _{GS(th)} /ΔT _J | Gate Threshold Voltage Coefficient | — | -7.0 | — | mV/°C | |
| I _{DSS} | Drain-to-Source Leakage Current | — | — | 1.0 | μA | V _{DS} = 24V, V _{GS} = 0V |
| | | — | — | 150 | | V _{DS} = 24V, V _{GS} = 0V, T _J = 125°C |
| I _{GSS} | Gate-to-Source Forward Leakage | — | — | 100 | nA | V _{GS} = 20V |
| | Gate-to-Source Reverse Leakage | — | — | -100 | | V _{GS} = -20V |
| g _{fs} | Forward Transconductance | 307 | — | — | S | V _{DS} = 15V, I _D = 68A |
| Q _g | Total Gate Charge | — | 40 | 60 | nC | V _{DS} = 15V V _{GS} = 4.5V I _D = 68A |
| Q _{gs1} | Pre-V _{th} Gate-to-Source Charge | — | 6.8 | — | | |
| Q _{gs2} | Post-V _{th} Gate-to-Source Charge | — | 13 | — | | |
| Q _{gd} | Gate-to-Drain Charge | — | 8.7 | — | | |
| Q _{godr} | Gate Charge Overdrive | — | 11.5 | — | | |
| Q _{sw} | Switch Charge (Q _{gs2} + Q _{gd}) | — | 21.7 | — | | |
| R _G | Gate Resistance | — | 1.7 | — | Ω | |
| t _{d(on)} | Turn-On Delay Time | — | 19 | — | ns | V _{DD} = 15V I _D = 68A R _G = 1.8Ω V _{GS} = 4.5V ③ |
| t _r | Rise Time | — | 142 | — | | |
| t _{d(off)} | Turn-Off Delay Time | — | 32 | — | | |
| t _f | Fall Time | — | 72 | — | | |
| C _{iss} | Input Capacitance | — | 5050 | — | pF | V _{GS} = 0V V _{DS} = 15V f = 1.0MHz |
| C _{oss} | Output Capacitance | — | 890 | — | | |
| C _{rss} | Reverse Transfer Capacitance | — | 500 | — | | |

Avalanche Characteristics

| | | | |
|-------------------------------------|--|------|----|
| E _{AS (Thermally limited)} | Single Pulse Avalanche Energy ② | 180 | mJ |
| E _{AS (tested)} | Single Pulse Avalanche Energy Tested Value ⑤ | 900 | |
| I _{AR} | Avalanche Current ① | 68 | A |
| E _{AR} | Repetitive Avalanche Energy ① | 12.5 | mJ |

Diode Characteristics

| Symbol | Parameter | Min. | Typ. | Max. | Units | Conditions |
|-----------------|--|------|------|-------|-------|---|
| I _S | Continuous Source Current (Body Diode) ① | — | — | 171 ⑥ | A | MOSFET symbol showing the integral reverse p-n junction diode. |
| I _{SM} | Pulsed Source Current (Body Diode) ① | — | — | 664 | | |
| V _{SD} | Diode Forward Voltage | — | — | 1.0 | V | T _J = 25°C, I _S = 68A, V _{GS} = 0V ③ |
| t _{rr} | Reverse Recovery Time | — | 21 | 31 | ns | T _J = 25°C I _F = 68A, V _{DD} = 15V |
| Q _{rr} | Reverse Recovery Charge | — | 54 | 81 | nC | di/dt = 430A/μs ③ |


Fig 1. Typical Output Characteristics

Fig 2. Typical Output Characteristics

Fig 3. Typical Transfer Characteristics

Fig 4. Normalized On-Resistance vs. Temperature

Fig 5. Typical Capacitance vs. Drain-to-Source Voltage

Fig 6. Typical Gate Charge vs. Gate-to-Source Voltage

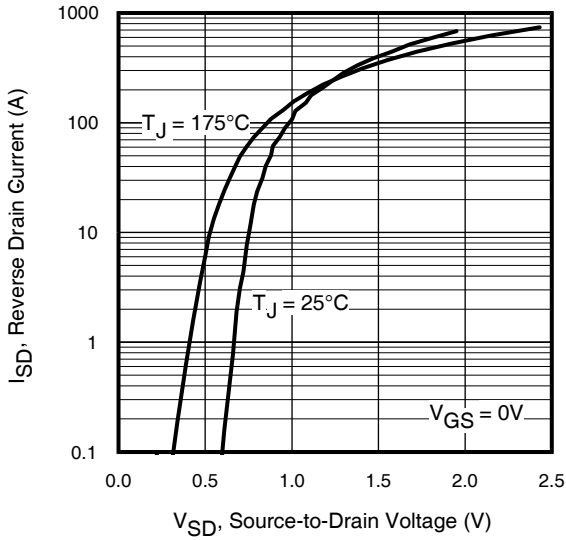


Fig 7. Typical Source-Drain Diode Forward Voltage

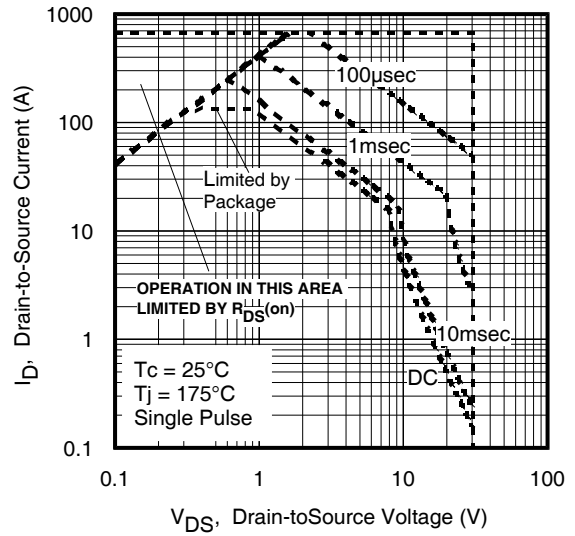


Fig 8. Maximum Safe Operating Area

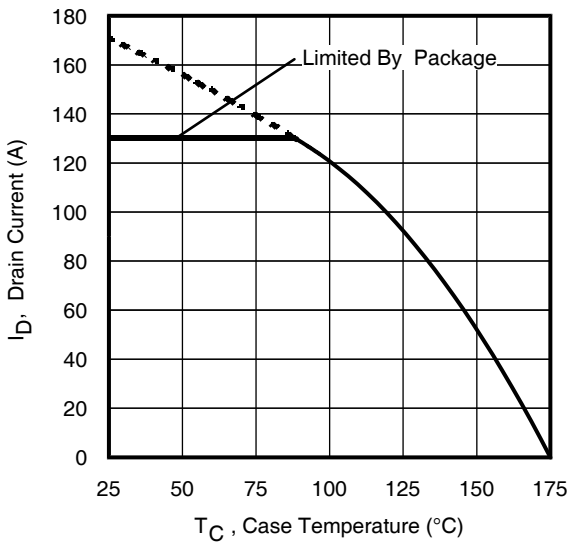


Fig 9. Maximum Drain Current vs. Case Temperature

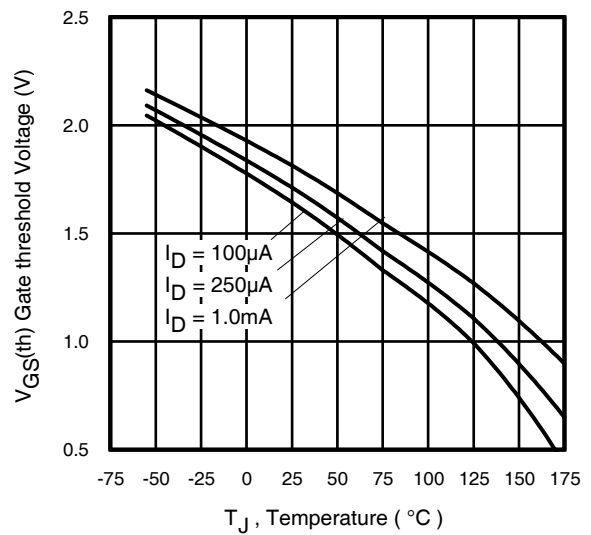


Fig 10. Threshold Voltage vs. Temperature

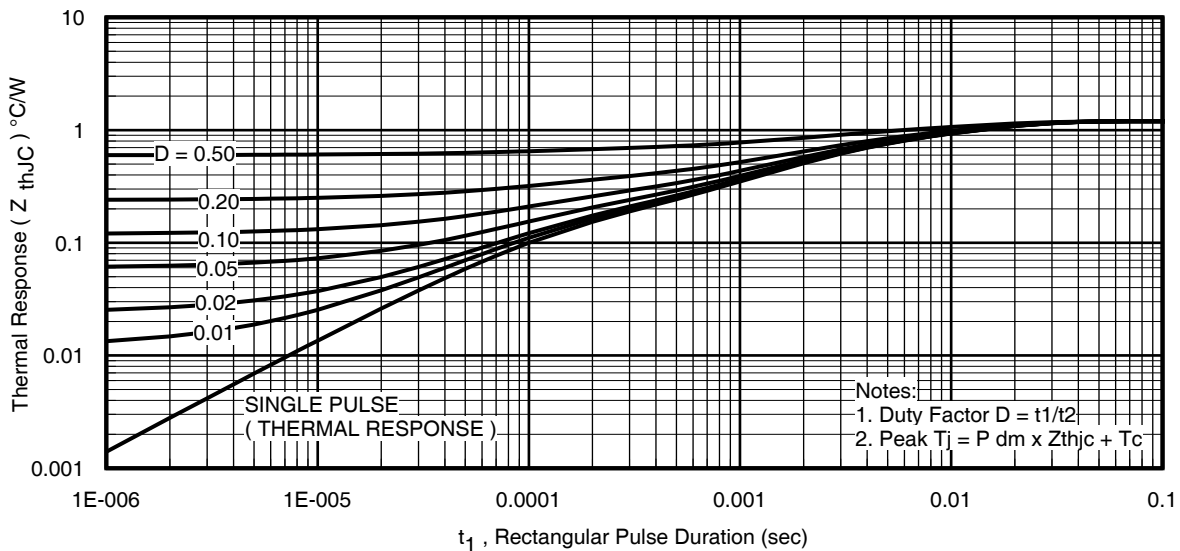


Fig 11. Maximum Effective Transient Thermal Impedance, Junction-to-Case

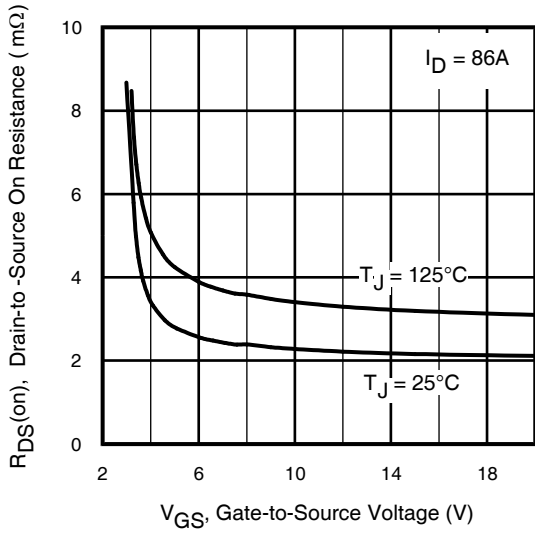


Fig 12. Typical On-Resistance vs. Gate Voltage

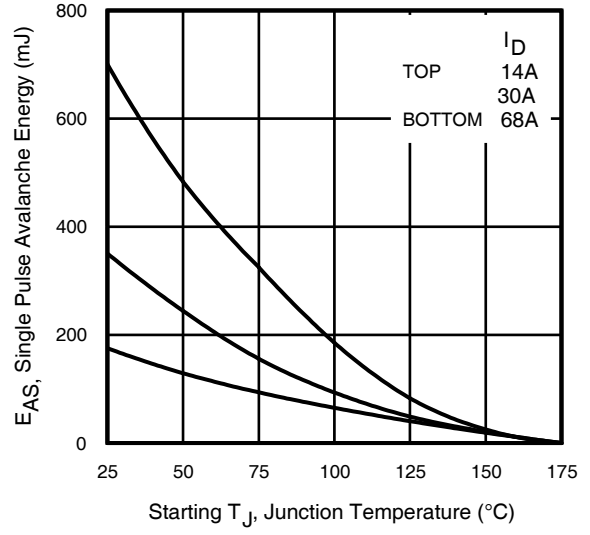


Fig 13. Maximum Avalanche Energy vs. Drain Current

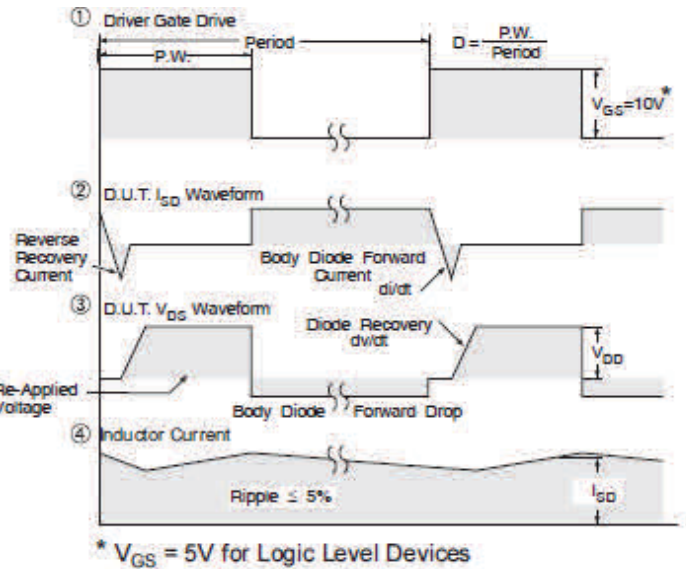
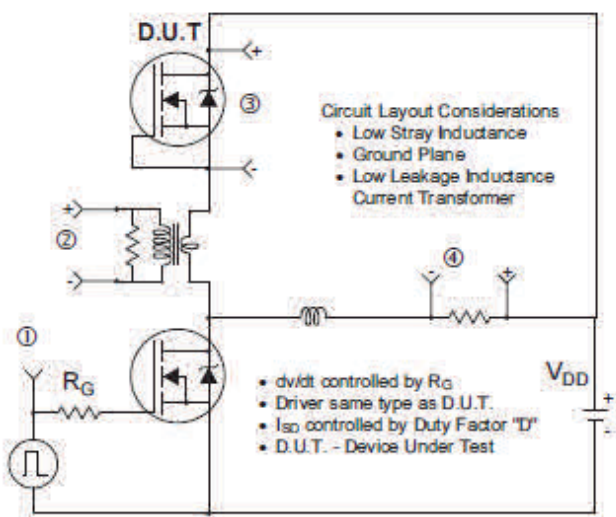


Fig 14. Peak Diode Recovery dv/dt Test Circuit for N-Channel HEXFET® Power MOSFETs

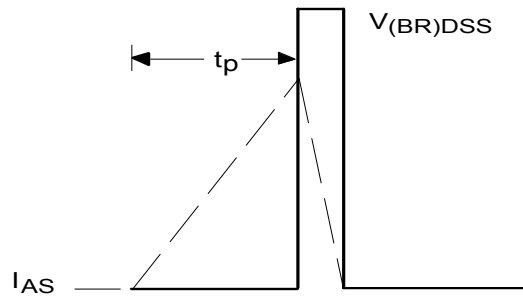
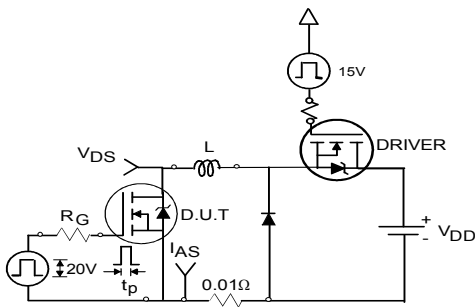


Fig 15a. Unclamped Inductive Test Circuit

Fig 15b. Unclamped Inductive Waveforms

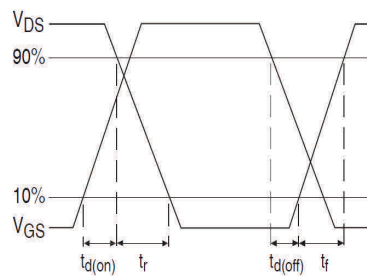
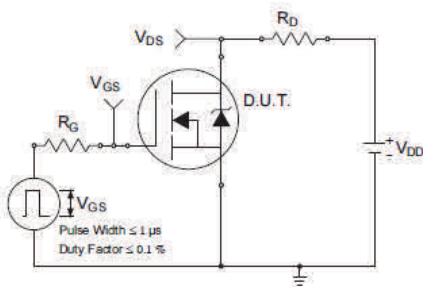


Fig 16a. Switching Time Test Circuit

Fig 16b. Switching Time Waveforms

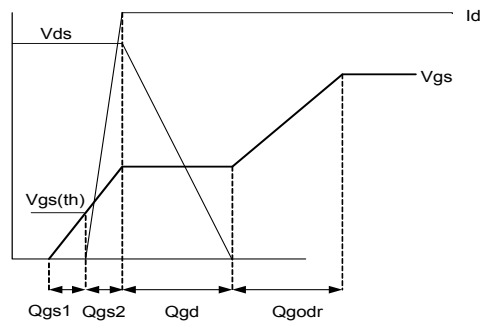
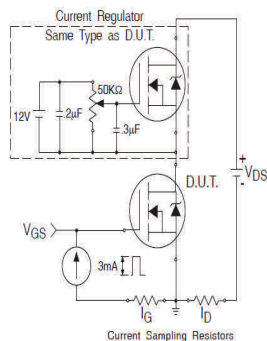
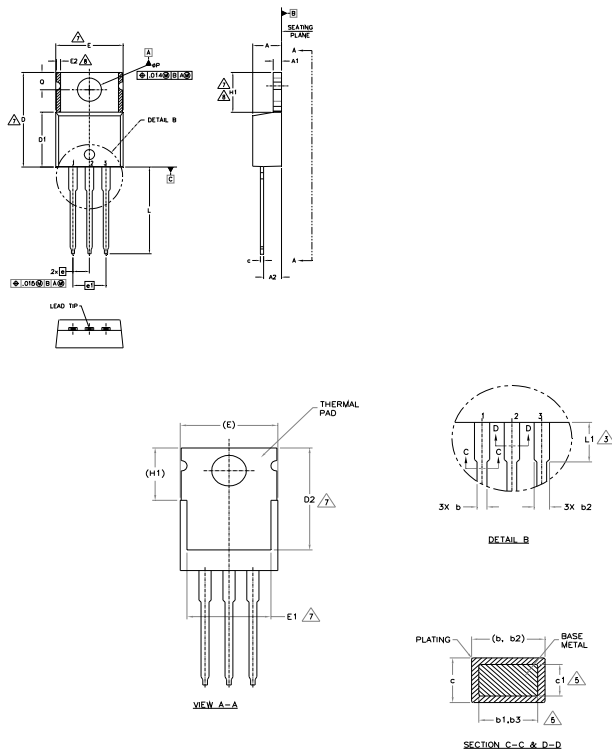


Fig 17a. Gate Charge Test Circuit

Fig 17b. Gate Charge Waveform

TO-220AB Package Outline (Dimensions are shown in millimeters (inches))

NOTES:

- 1.- DIMENSIONING AND TOLERANCING AS PER ASME Y14.5 M- 1994.
- 2.- DIMENSIONS ARE SHOWN IN INCHES [MILLIMETERS].
- 3.- LEAD DIMENSION AND FINISH UNCONTROLLED IN L1.
- 4.- DIMENSION D, D1 & E DO NOT INCLUDE MOLD FLASH. MOLD FLASH SHALL NOT EXCEED .005" (0.127) PER SIDE. THESE DIMENSIONS ARE MEASURED AT THE OUTERMOST EXTREMES OF THE PLASTIC BODY.
- 5.- DIMENSION b1, b3 & c1 APPLY TO BASE METAL ONLY.
- 6.- CONTROLLING DIMENSION : INCHES.
- 7.- THERMAL PAD CONTOUR OPTIONAL WITHIN DIMENSIONS E,H1,D2 & E1
- 8.- DIMENSION E2 X H1 DEFINE A ZONE WHERE STAMPING AND SINGULATION IRREGULARITIES ARE ALLOWED.
- 9.- OUTLINE CONFORMS TO JEDEC TO-220, EXCEPT A2 (max.) AND D2 (min.) WHERE DIMENSIONS ARE DERIVED FROM THE ACTUAL PACKAGE OUTLINE.

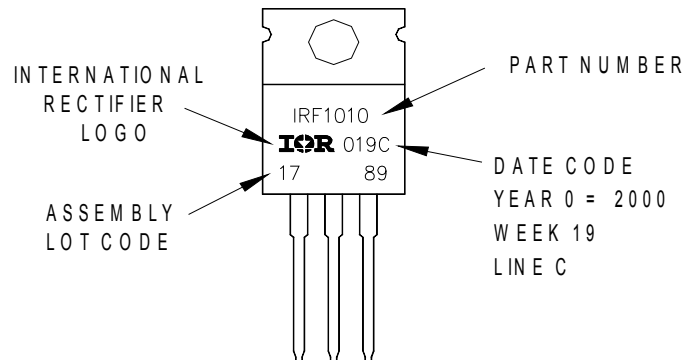
| SYMBOL | DIMENSIONS | | | | NOTES |
|--------|-------------|-------|----------|------|-------|
| | MILLIMETERS | | INCHES | | |
| | MIN. | MAX. | MIN. | MAX. | |
| A | 3.56 | 4.83 | .140 | .190 | |
| A1 | 0.51 | 1.40 | .020 | .055 | |
| A2 | 2.03 | 2.92 | .080 | .115 | |
| b | 0.38 | 1.01 | .015 | .040 | |
| b1 | 0.38 | 0.97 | .015 | .038 | 5 |
| b2 | 1.14 | 1.78 | .045 | .070 | |
| b3 | 1.14 | 1.73 | .045 | .068 | 5 |
| c | 0.36 | 0.61 | .014 | .024 | |
| c1 | 0.36 | 0.56 | .014 | .022 | 5 |
| D | 14.22 | 16.51 | .560 | .650 | 4 |
| D1 | 8.38 | 9.02 | .330 | .355 | |
| D2 | 11.68 | 12.88 | .460 | .507 | 7 |
| E | 9.65 | 10.67 | .380 | .420 | 4,7 |
| E1 | 6.86 | 8.89 | .270 | .350 | 7 |
| E2 | - | 0.76 | - | .030 | 8 |
| e | 2.54 BSC | | .100 BSC | | |
| e1 | 5.08 BSC | | .200 BSC | | |
| H1 | 5.84 | 6.86 | .230 | .270 | 7,8 |
| L | 12.70 | 14.73 | .500 | .580 | |
| L1 | 3.56 | 4.06 | .140 | .160 | 3 |
| øP | 3.54 | 4.08 | .139 | .161 | |
| Q | 2.54 | 3.42 | .100 | .135 | |

- LEAD ASSIGNMENTS**
- HEXFET**
- 1.- GATE
 - 2.- DRAIN
 - 3.- SOURCE
- IGBTs, CoPACK**
- 1.- GATE
 - 2.- COLLECTOR
 - 3.- EMITTER
- DIODES**
- 1.- ANODE
 - 2.- CATHODE
 - 3.- ANODE

TO-220AB Part Marking Information

EXAMPLE: THIS IS AN IRF1010
 LOT CODE 1789
 ASSEMBLED ON WW 19, 2000
 IN THE ASSEMBLY LINE "C"

Note: "P" in assembly line position indicates "Lead - Free"



TO-220AB packages are not recommended for Surface Mount Application.

Qualification Information

| | | |
|-----------------------------------|-------------------------------------|-----|
| Qualification Level | Industrial (per JEDEC JESD47F) † | |
| Moisture Sensitivity Level | TO-220AB | N/A |
| RoHS Compliant | Yes | |

† Applicable version of JEDEC standard at the time of product release.

Notes:

- ① Repetitive rating; pulse width limited by max. junction temperature.
- ② Limited by T_{Jmax} , starting $T_J = 25^{\circ}C$, $L = 0.067mH$, $R_G = 50\Omega$, $I_{AS} = 68A$, $V_{GS} = 10V$.
- ③ Pulse width $\leq 400\mu s$; duty cycle $\leq 2\%$.
- ④ R_{θ} is measured at T_J approximately $90^{\circ}C$.
- ⑤ This value determined from sample failure population, starting $T_J = 25^{\circ}C$, $L = 0.5mH$, $R_G = 50\Omega$, $I_{AS} = 60A$, $V_{GS} = 10V$.
- ⑥ Calculated continuous current based on maximum allowable junction temperature. Bond wire current limit is 130A. Note that current limitations arising from heating of the device leads may occur with some lead mounting arrangements. (Refer to AN-1140).

Revision History

| Date | Comments |
|------------|---|
| 08/04/2016 | <ul style="list-style-type: none"> • Changed datasheet with Infineon logo - all pages. • Corrected package type from "TO-220Pak" to "TO-220AB" on page 1 and page 8. • Updated figure numbers on page 5 & 6. • Added disclaimer on last page. |

Trademarks of Infineon Technologies AG

μHVIC™, μIPM™, μPFC™, AU-ConvertIR™, AURIX™, C166™, CanPAK™, CIPOS™, CIPURSE™, CoolDP™, CoolGaN™, COOLiR™, CoolMOS™, CoolSET™, CoolSiC™, DAVE™, DI-POL™, DirectFET™, DrBlade™, EasyPIM™, EconoBRIDGE™, EconoDUAL™, EconoPACK™, EconoPIM™, EiceDRIVER™, eupec™, FCOS™, GaNpowIR™, HEXFET™, HITFET™, HybridPACK™, iMOTION™, IRAM™, ISOFACE™, IsoPACK™, LEDrIVIR™, LITIX™, MIPAQ™, ModSTACK™, my-d™, NovalithIC™, OPTIGA™, OptiMOS™, ORIGA™, PowIRaudio™, PowIRstage™, PrimePACK™, PrimeSTACK™, PROFET™, PRO-SiL™, RASiC™, REAL3™, SmartLEWIS™, SOLID FLASH™, SPOC™, StrongIRFET™, SupIRBuck™, TEMPFET™, TRENCHSTOP™, TriCore™, UHVIC™, XHP™, XMC™

Trademarks updated November 2015

Other Trademarks

All referenced product or service names and trademarks are the property of their respective owners.

Edition 2016-04-19

Published by
Infineon Technologies AG
81726 Munich, Germany

© 2016 Infineon Technologies AG.
 All Rights Reserved.

Do you have a question about this document?
Email: erratum@infineon.com

Document reference
ifx1

IMPORTANT NOTICE

The information given in this document shall in no event be regarded as a guarantee of conditions or **characteristics ("Beschaffenheitsgarantie")**.

With respect to any examples, hints or any typical values stated herein and/or any information regarding the application of the product, Infineon Technologies hereby disclaims any and all warranties and liabilities of any kind, including without limitation warranties of non-infringement of intellectual property rights of any third party.

In addition, any information given in this document **is subject to customer's compliance with its obligations** stated in this document and any applicable legal requirements, norms and standards concerning customer's products and any use of the product of Infineon Technologies in **customer's applications**.

The data contained in this document is exclusively intended for technically trained staff. It is the **responsibility of customer's technical departments** to evaluate the suitability of the product for the intended application and the completeness of the product information given in this document with respect to such application.

For further information on the product, technology, delivery terms and conditions and prices please contact your nearest Infineon Technologies office (www.infineon.com).

Please note that this product is not qualified according to the AEC Q100 or AEC Q101 documents of the Automotive Electronics Council.

WARNINGS

Due to technical requirements products may contain dangerous substances. For information on the types in question please contact your nearest Infineon Technologies office.

Except as otherwise explicitly approved by Infineon Technologies in a written document signed by authorized representatives of Infineon Technologies, **Infineon Technologies' products may not be used** in any applications where a failure of the product or any consequences of the use thereof can reasonably be expected to result in personal injury.

X-ON Electronics

Largest Supplier of Electrical and Electronic Components

Click to view similar products for [MOSFET](#) category:

Click to view products by [Infineon](#) manufacturer:

Other Similar products are found below :

[614233C](#) [648584F](#) [IRFD120](#) [JANTX2N5237](#) [FCA20N60_F109](#) [FDZ595PZ](#) [2SK2545\(Q,T\)](#) [405094E](#) [423220D](#) [TPCC8103,L1Q\(CM](#)
[MIC4420CM-TR](#) [VN1206L](#) [614234A](#) [715780A](#) [NTNS3166NZT5G](#) [SSM6J414TU,LF\(T](#) [751625C](#) [BUK954R8-60E](#) [GROUP A 5962-](#)
[8877003PA](#) [NTE6400](#) [SQJ402EP-T1-GE3](#) [2SK2614\(TE16L1,Q\)](#) [2N7002KW-FAI](#) [DMN1017UCP3-7](#) [EFC2J004NUZTDG](#) [ECH8691-TL-W](#)
[FCAB21350L1](#) [P85W28HP2F-7071](#) [DMN1053UCP4-7](#) [NTE221](#) [NTE222](#) [NTE2384](#) [NTE2903](#) [NTE2941](#) [NTE2945](#) [NTE2946](#) [NTE2960](#)
[NTE2967](#) [NTE2969](#) [NTE2976](#) [NTE6400A](#) [NTE2910](#) [NTE2916](#) [NTE2956](#) [NTE2911](#) [DMN2080UCB4-7](#) [TK10A80W,S4X\(S](#)
[SSM6P69NU,LF](#) [DMP22D4UFO-7B](#) [DMN1006UCA6-7](#)