

**Features**

- PFC, ballast control and half-bridge driver in one IC
- Critical-conduction mode boost-type PFC
- Internal VBUS sensing and regulation
- Internal PFC loop compensation
- Programmable PFC over-current
- Ignition voltage regulation (current or voltage control)
- Half-bridge non-ZVS protection
- Half-bridge over-current protection using low-side MOSFET  $R_{ds(on)}$
- Programmable preheat time
- Programmable preheat frequency
- Programmable ignition ramp time
- Programmable run frequency
- Voltage-controlled oscillator (VCO) analog input
- Latched EOL window comparator on VCC
- Internal EOL fault timer
- Fixed dead-time (1.7usec typ.)
- DC bus under-voltage reset
- Lamp insert auto-restart
- Micro-power start-up current
- Under-voltage lock-out mode
- Small 8-pin SOIC package
- Lead-free

**Product Summary**

Topology	Boost + Half-Bridge
$V_{OFFSET}$	600 V
$V_{OUT}$	VCC
$I_{O+}$ & $I_{O-}$ (typical)	180 mA & 260 mA
Dead-time	1.7us

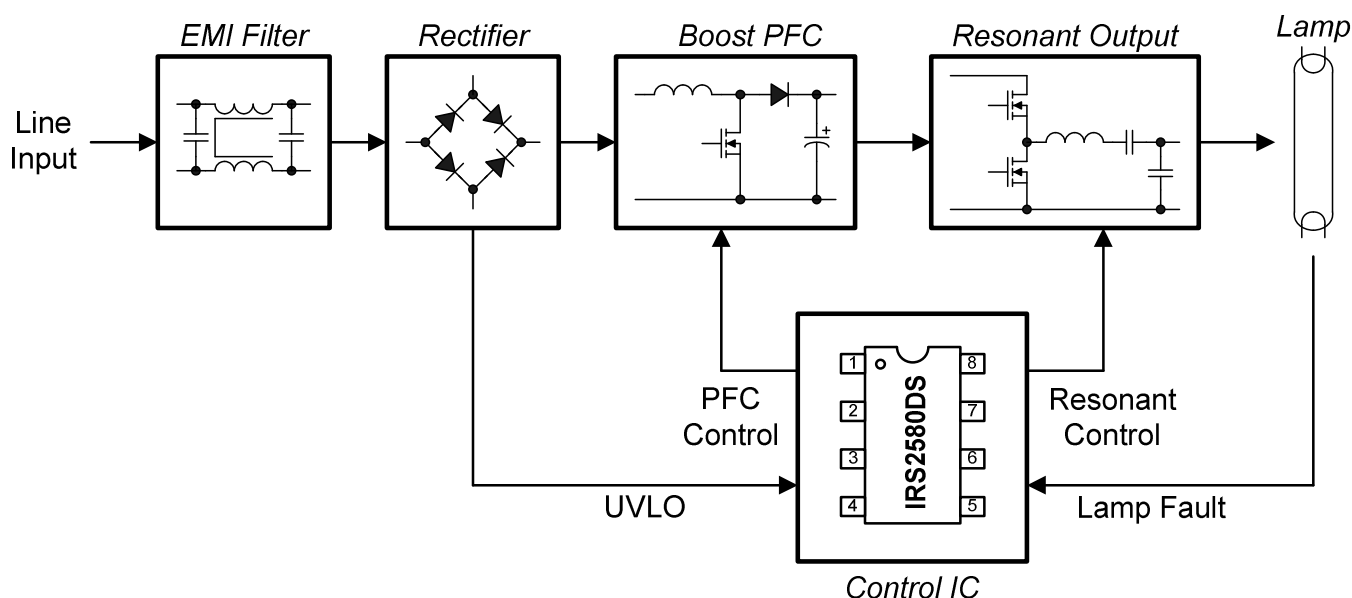
**Package Options**



**Typical Application**

- Electronic Ballast

**Typical Application Block Diagram**



## X-ON Electronics

Largest Supplier of Electrical and Electronic Components

*Click to view similar products for [Gate Drivers](#) category:*

*Click to view products by [Infineon](#) manufacturer:*

Other Similar products are found below :

[00053P0231](#) [56956](#) [57.404.7355.5](#) [LT4936](#) [57.904.0755.0](#) [5882900001](#) [00600P0005](#) [00-9050-LRPP](#) [00-9090-RDPP](#) [5951900000](#) [01-1003W-10/32-15](#) [0131700000](#) [00-2240](#) [LTP70N06](#) [LVP640](#) [5J0-1000LG-SIL](#) [LY1D-2-5S-AC120](#) [LY2-US-AC240](#) [LY3-UA-DC24](#) [00576P0020](#) [00600P0010](#) [LZN4-UA-DC12](#) [LZNQ2M-US-DC5](#) [LZNQ2-US-DC12](#) [LZP40N10](#) [00-8196-RDPP](#) [00-8274-RDPP](#) [00-8275-RDNP](#) [00-8722-RDPP](#) [00-8728-WHPP](#) [00-8869-RDPP](#) [00-9051-RDPP](#) [00-9091-LRPP](#) [00-9291-RDPP](#) [0207100000](#) [0207400000](#) [01312](#) [0134220000](#) [60713816](#) [M15730061](#) [61161-90](#) [61278-0020](#) [6131-204-23149P](#) [6131-205-17149P](#) [6131-209-15149P](#) [6131-218-17149P](#) [6131-220-21149P](#) [6131-260-2358P](#) [6131-265-11149P](#) [CS1HCPU63](#)