

**2A, 250V**

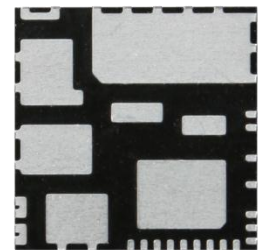
## Integrated Power Module for Small Appliance Motor Drive Applications

### Description

IRSM836-024MA is a 2A, 250V Integrated Power Module (IPM) designed for advanced appliance motor drive applications such as energy efficient fans and pumps. IR's technology offers an extremely compact, high performance AC motor-driver in an isolated package. This advanced IPM offers a combination of IR's low  $R_{DS(on)}$  Trench MOSFET technology and the industry benchmark 3-phase high voltage, rugged driver in a small PQFN package. At only 12x12mm and featuring integrated bootstrap functionality, the compact footprint of this surface-mount package makes it suitable for applications that are space-constrained. Integrated over-current protection, fault reporting and under-voltage lockout functions deliver a high level of protection and fail-safe operation. IRSM836-024MA functions without a heat sink.

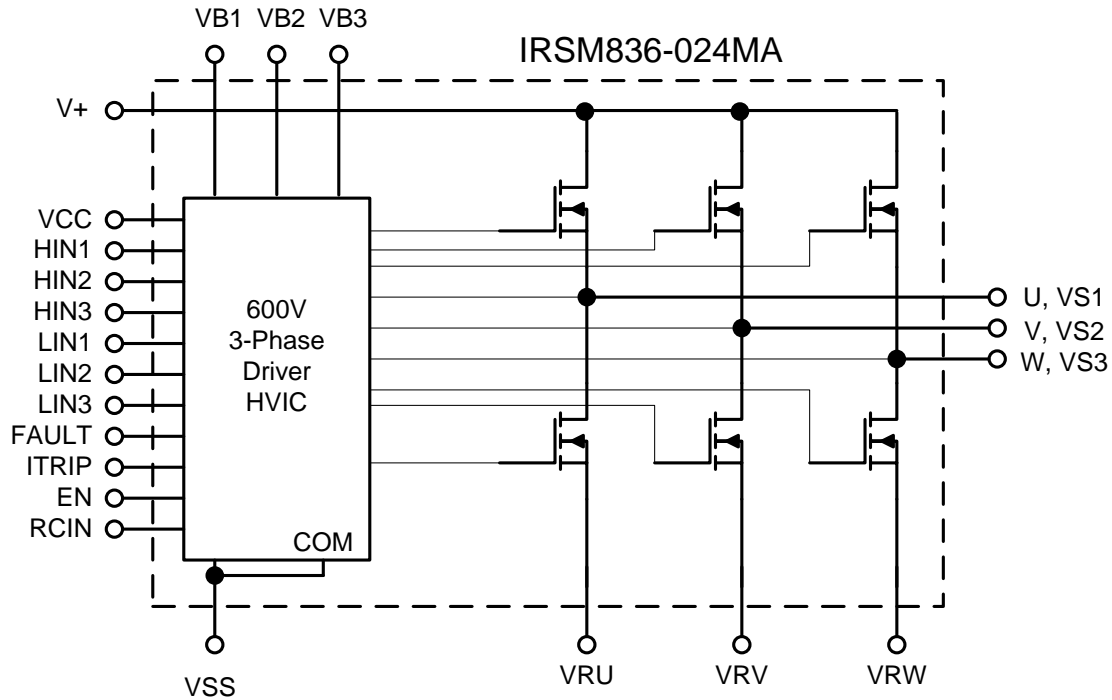
### Features

- Integrated gate drivers and bootstrap functionality
- Open-source for leg-shunt current sensing
- Protection shutdown pin
- Low  $R_{DS(on)}$  Trench MOSFET
- Under-voltage lockout for all channels
- Matched propagation delay for all channels
- Optimized  $dV/dt$  for loss and EMI trade offs
- 3.3V Schmitt-triggered active high input logic
- Cross-conduction prevention logic
- Motor power range up to ~95W, without heat sink
- Isolation 1500VRMS min



| Base Part Number | Package Type           | Standard Pack |          | Orderable Part Number |
|------------------|------------------------|---------------|----------|-----------------------|
|                  |                        | Form          | Quantity |                       |
| IRSM836-024MA    | 36L<br>PQFN 12 x 12 mm | Tape and Reel | 2000     | IRSM836-024MATR       |
|                  |                        | Tray          | 800      | IRSM836-024MA         |

All part numbers are PbF

**Internal Electrical Schematic**

**Absolute Maximum Ratings**

Absolute maximum ratings indicate sustained limits beyond which damage to the module may occur. These are not tested at manufacturing. All voltage parameters are absolute voltages referenced to VSS unless otherwise stated in the table.

| Symbol                  | Description   | Min               | Max                | Unit        |
|-------------------------|---|-------------------|--------------------|-------------|
| $BV_{DSS}$              | MOSFET Blocking Voltage                               | ---               | 250                | V           |
| $I_o @ T=25^{\circ}C$   | DC Output Current per MOSFET                          | ---               | 2                  | A           |
| $I_{OP}$                | Pulsed Output Current (Note 1)                        | ---               | 7                  |             |
| $P_d @ T_C=25^{\circ}C$ | Maximum Power Dissipation per MOSFET                  | ---               | 16                 | W           |
| $V_{ISO}$               | Isolation Voltage (1min) (Note 2)                     | ---               | 1500               | $V_{RMS}$   |
| $T_J$                   | Operating Junction Temperature                        | -40               | 150                | $^{\circ}C$ |
| $T_L$                   | Lead Temperature (Soldering, 30 seconds)              | ---               | 260                | $^{\circ}C$ |
| $T_S$                   | Storage Temperature                                   | -40               | 150                | $^{\circ}C$ |
| $V_{S1,2,3}$            | High Side Floating Supply Offset Voltage              | $V_{B1,2,3} - 20$ | $V_{B1,2,3} + 0.3$ | V           |
| $V_{B1,2,3}$            | High Side Floating Supply Voltage                     | -0.3              | 250                | V           |
| $V_{CC}$                | Low Side and Logic Supply voltage                     | -0.3              | 20                 | V           |
| $V_{IN}$                | Input Voltage of LIN, HIN, $I_{TRIP}$ , EN, RCIN, FLT | $V_{SS} - 0.3$    | $V_{CC} + 0.3$     | V           |

Note 1: Pulse Width = 100 $\mu$ s,  $T_C = 25^{\circ}C$ , Duty=1%.

Note 2: Characterized, not tested at manufacturing

## Recommended Operating Conditions

| Symbol              | Description  | Min                | Max                | Unit |
|---------------------|--|--------------------|--------------------|------|
| V+                  | Positive DC Bus Input Voltage                          | ---                | 200                | V    |
| V <sub>S1,2,3</sub> | High Side Floating Supply Offset Voltage               | (Note 3)           | 200                | V    |
| V <sub>B1,2,3</sub> | High Side Floating Supply Voltage                      | V <sub>S</sub> +10 | V <sub>S</sub> +20 | V    |
| V <sub>CC</sub>     | Low Side and Logic Supply Voltage                      | 11.5               | 18.5               | V    |
| V <sub>IN</sub>     | Input Voltage of LIN, HIN, I <sub>TRIP</sub> , EN, FLT | 0                  | 5                  | V    |
| F <sub>p</sub>      | PWM Carrier Frequency                                  | ---                | 20                 | kHz  |

The Input/Output logic diagram is shown in Figure 1. For proper operation the module should be used within the recommended conditions. All voltages are absolute referenced to COM. The V<sub>S</sub> offset is tested with all supplies biased at 15V differential.

Note 3: Logic operational for V<sub>S</sub> from COM-5V to COM+250V. Logic state held for V<sub>S</sub> from COM-5V to COM-V<sub>BS</sub>.

## Static Electrical Characteristics

(V<sub>CC</sub>-COM) = (V<sub>B</sub>-V<sub>S</sub>) = 15 V. T<sub>A</sub> = 25°C unless otherwise specified. The V<sub>IN</sub> and I<sub>IN</sub> parameters are referenced to V<sub>SS</sub> and are applicable to all six channels. The V<sub>CCUV</sub> parameters are referenced to V<sub>SS</sub>. The V<sub>B<sub>SUV</sub></sub> parameters are referenced to V<sub>S</sub>.

| Symbol  | Description  | Min  | Typ  | Max  | Units | Conditions   |
|---|--|------|------|------|-------|--|
| BV <sub>DSS</sub>                                     | Drain-to-Source Breakdown Voltage  | 250  | ---  | ---  | V     | T <sub>J</sub> =25°C, I <sub>LK</sub> =250μA                   |
| I <sub>LKH</sub>                                      | Leakage Current of High Side FET's in Parallel                                     |      | 10   |      | μA    | T <sub>J</sub> =25°C, V <sub>DS</sub> =250V                    |
| I <sub>LKL</sub>                                      | Leakage Current of Low Side FET's in Parallel Plus Gate Drive IC                   |      | 15   |      | μA    | T <sub>J</sub> =25°C, V <sub>DS</sub> =250V                    |
| R <sub>DS(ON)</sub>                                   | Drain to Source ON Resistance  | ---  | 2.0  | 2.4  | Ω     | T <sub>J</sub> =25°C, V <sub>CC</sub> =15V, I <sub>D</sub> =1A |
| V <sub>IN,th+</sub>                                   | Positive Going Input Threshold   | 2.5  | ---  | ---  | V     |  |
| V <sub>IN,th-</sub>                                   | Negative Going Input Threshold   | ---  | ---  | 0.8  | V     |  |
| V <sub>CCUV+</sub> ,<br>V <sub>B<sub>SUV+</sub></sub> | V <sub>CC</sub> and V <sub>BS</sub> Supply Under-Voltage, Positive Going Threshold | 8    | 8.9  | 9.8  | V     |  |
| V <sub>CCUV-</sub> ,<br>V <sub>B<sub>SUV-</sub></sub> | V <sub>CC</sub> and V <sub>BS</sub> supply Under-Voltage, Negative Going Threshold | 7.4  | 8.2  | 9    | V     |  |
| V <sub>CCUVH</sub> ,<br>V <sub>B<sub>SUVH</sub></sub> | V <sub>CC</sub> and V <sub>BS</sub> Supply Under-Voltage Lock-Out Hysteresis       | ---  | 0.6  | ---  | V     |  |
| I <sub>QBS</sub>                                      | Quiescent V <sub>BS</sub> Supply Current V <sub>IN</sub> =0V                       | ---  | ---  | 125  | μA    |  |
| I <sub>QCC</sub>                                      | Quiescent V <sub>CC</sub> Supply Current V <sub>IN</sub> =0V                       | ---  | ---  | 3    | mA    |  |
| I <sub>QCC, ON</sub>                                  | Quiescent V <sub>CC</sub> Supply Current V <sub>IN</sub> =4V                       | ---  | ---  | 10   | mA    |  |
| I <sub>IN+</sub>                                      | Input Bias Current V <sub>IN</sub> =4V   | ---  | 100  | 160  | μA    |  |
| I <sub>IN-</sub>                                      | Input Bias Current V <sub>IN</sub> =0V   | ---  | --   | 1    | μA    |  |
| I <sub>TRIP+</sub>                                    | I <sub>TRIP</sub> Bias Current V <sub>ITRIP</sub> =4V                              | ---  | 5    | 40   | μA    |  |
| I <sub>TRIP-</sub>                                    | I <sub>TRIP</sub> Bias Current V <sub>ITRIP</sub> =0V                              | ---  | --   | 1    | μA    |  |
| V <sub>IT, TH+</sub>                                  | I <sub>TRIP</sub> Threshold Voltage  | 0.37 | 0.47 | 0.55 | V     |  |
| V <sub>IT, TH-</sub>                                  | I <sub>TRIP</sub> Threshold Voltage  | ---  | 0.4  | ---  | V     |  |

|                      |  |     |      |     |   |                      |
|----------------------|--|-----|------|-----|---|----------------------|
| V <sub>IT,HYS</sub>  | I <sub>TRIP</sub> Input Hysteresis           | --- | 0.07 | --- | V |                      |
| R <sub>BR</sub>      | Internal Bootstrap Equivalent Resistor Value | --- | 200  | --- | Ω | T <sub>J</sub> =25°C |
| V <sub>RCIN,TH</sub> | RCIN Positive Going Threshold                | --- | 8    | --- | V |                      |
| R <sub>ON,FLT</sub>  | FLT Open-Drain Resistance                    | --- | 40   | 100 | Ω |                      |

### Dynamic Electrical Characteristics

(V<sub>CC-COM</sub>) = (V<sub>B</sub>-V<sub>S</sub>) = 15 V. T<sub>A</sub> = 25°C unless otherwise specified.

| Symbol                 | Description  | Min | Typ | Max  | Units | Conditions  |
|------------------------|--|-----|-----|------|-------|---|
| T <sub>ON</sub>        | Input to Output Propagation Turn-On Delay Time         | --- | 0.6 | 1.5  | μs    | I <sub>D</sub> =1mA, V <sup>+</sup> =50V<br>See Fig.2             |
| T <sub>OFF</sub>       | Input to Output Propagation Turn-Off Delay Time        | --- | 0.8 | 1.5  | μs    |   |
| T <sub>FIL,IN</sub>    | Input Filter Time (HIN, LIN)                           | 200 | 330 | ---  | ns    | V <sub>IN</sub> =0 & V <sub>IN</sub> =4V                          |
| T <sub>FIL,EN</sub>    | Input Filter Time (EN)                                 | 90  | 220 | ---  | ns    | V <sub>IN</sub> =0 & V <sub>IN</sub> =4V                          |
| T <sub>BLT-ITRIP</sub> | I <sub>TRIP</sub> Blanking Time                        | 190 | 330 |      | ns    | V <sub>IN</sub> =0 & V <sub>IN</sub> =4V, V <sub>I/TrIP</sub> =5V |
| T <sub>FLT</sub>       | I <sub>trip</sub> to Fault                             | --- | 600 | 1000 | ns    | V <sub>IN</sub> =0 & V <sub>IN</sub> =4V                          |
| T <sub>EN</sub>        | EN Falling to Switch Turn-Off                          |     | 700 | 1000 | ns    | V <sub>IN</sub> =0 & V <sub>IN</sub> =4V                          |
| T <sub>ITRIP</sub>     | I <sub>TRIP</sub> to Switch Turn-Off Propagation Delay | --- | 900 | 1300 | ns    | I <sub>D</sub> =1A, V <sup>+</sup> =50V, See Fig. 3               |

### MOSFET Avalanche Characteristics

| Symbol | Description                   | Min | Typ | Max | Units | Conditions |
|--------|-------------------------------|-----|-----|-----|-------|------------|
| EAS    | Single Pulse Avalanche Energy | --- | 20  | --- | mJ    | Note 4     |

Note 4: From characterization of TO-220 packaged devices. Starting T<sub>J</sub>=25°C, L=3mH, V<sub>DD</sub>=100V, I<sub>AS</sub>=3.7A

### Thermal and Mechanical Characteristics

| Symbol                | Description                                      | Min | Typ  | Max | Units | Conditions |
|-----------------------|--|-----|------|-----|-------|------------|
| R <sub>th(J-CT)</sub> | Total Thermal Resistance Junction to Case Top    | --- | 23.6 | --- | °C/W  | One device |
| R <sub>th(J-CB)</sub> | Total Thermal Resistance Junction to Case Bottom | --- | 6.1  | --- | °C/W  | One device |

**Qualification Information†**

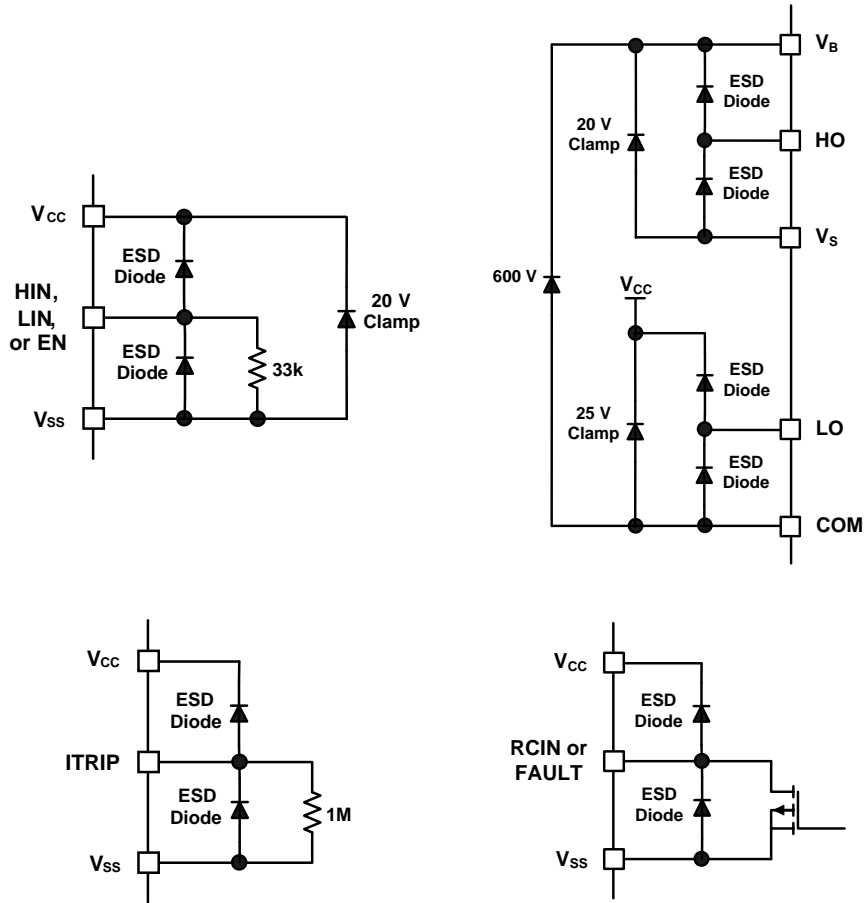
|                                   |                         |   |
|-----------------------------------|-------------------------|---|
| <b>Qualification Level</b>        |                         | Industrial <sup>††</sup><br>(per JEDEC JESD 47E)  |
| <b>Moisture Sensitivity Level</b> |                         | MSL3 <sup>†††</sup><br>(per IPC/JEDEC J-STD-020C) |
| <b>ESD</b>                        | <b>Machine Model</b>    | Class B<br>(per JEDEC standard JESD22-A115)       |
|                                   | <b>Human Body Model</b> | Class 2<br>(per standard ESDA/JEDEC JS-001-2012)  |
| <b>RoHS Compliant</b>             |                         | Yes   |

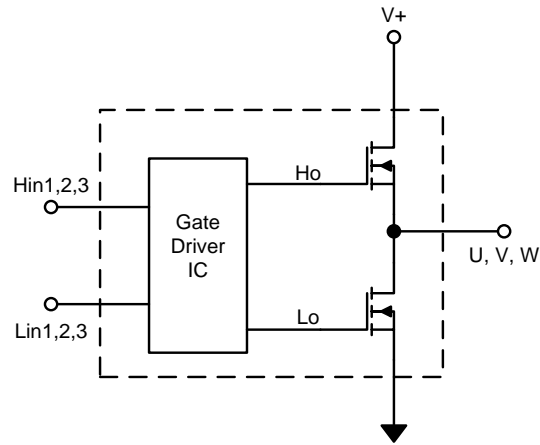
† Qualification standards can be found at International Rectifier's web site <http://www.irf.com/>

†† Higher qualification ratings may be available should the user have such requirements. Please contact your International Rectifier sales representative for further information.

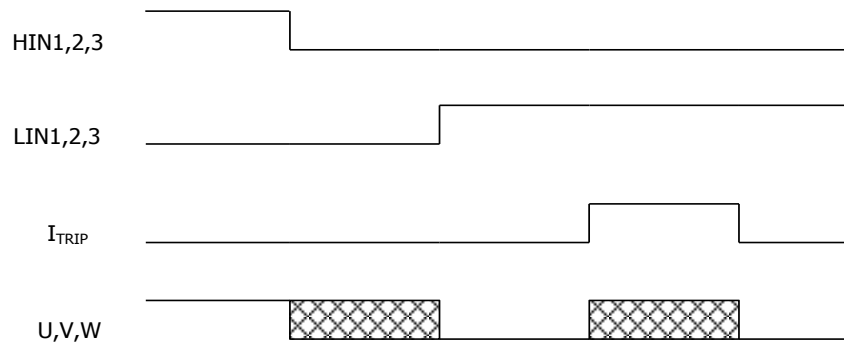
††† Higher MSL ratings may be available for the specific package types listed here. Please contact your International Rectifier sales representative for further information.

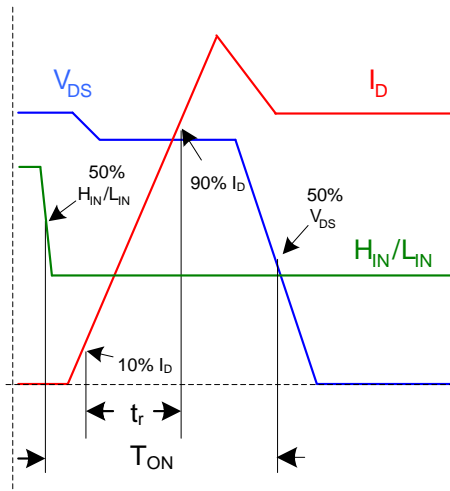
**Input/Output Pin Equivalent Circuit Diagrams**



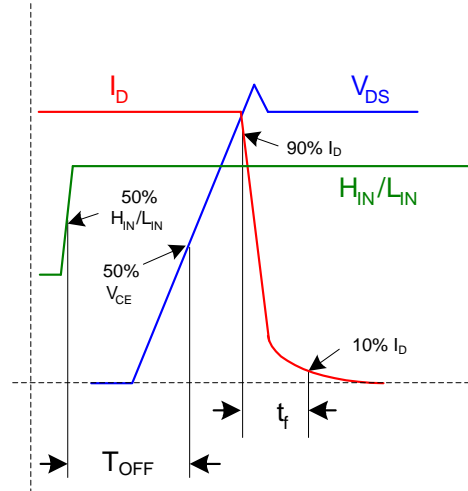
**Input-Output Logic Level Table**


| EN | Itrip | Hin1,2,3 | Lin1,2,3 | U,V,W |
|----|-------|----------|----------|-------|
| 1  | 0     | 1        | 0        | V+    |
| 1  | 0     | 0        | 1        | 0     |
| 1  | 0     | 0        | 0        | off   |
| 1  | 1     | X        | X        | off   |
| 0  | X     | X        | X        | off   |

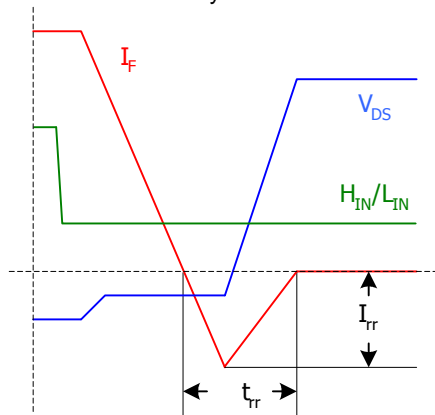

**Figure 1: Input/Output Logic Diagram**



**Figure 2a:** Input to Output propagation turn-on delay time.



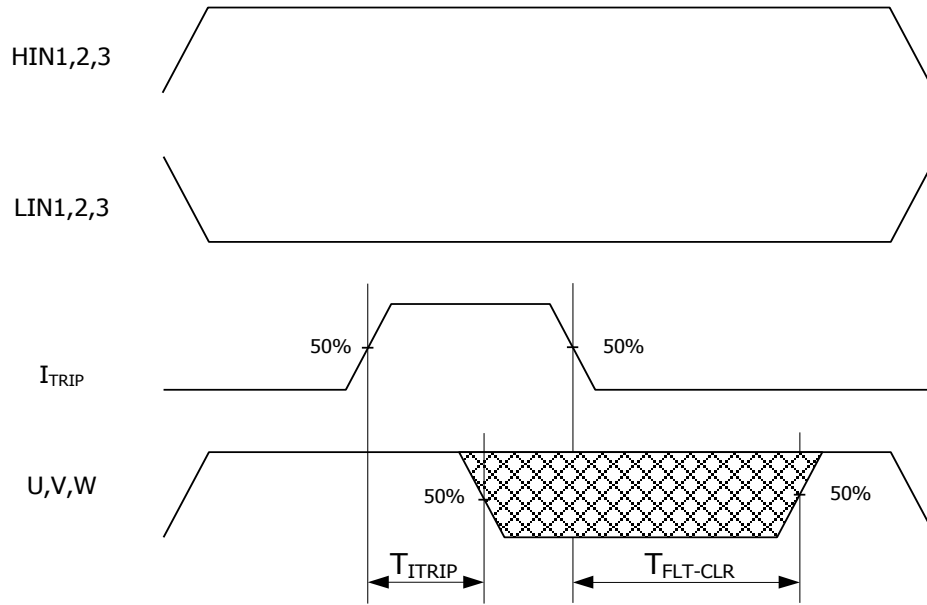
**Figure 2b:** Input to Output propagation turn-off delay time.



**Figure 2c:** Diode Reverse Recovery.

**Figure 2:** Switching Parameter Definitions

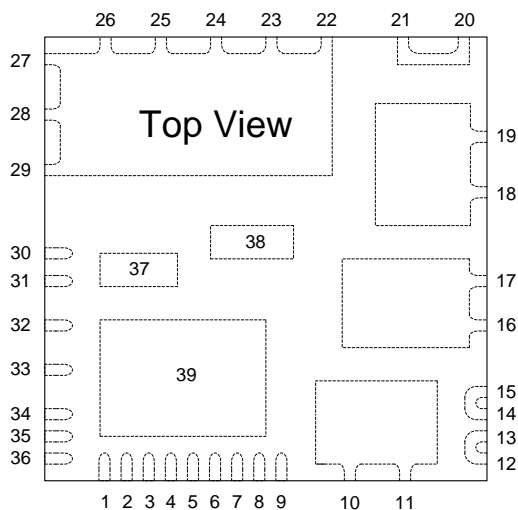




**Figure 3: I<sub>TRIP</sub> Timing Waveform**

**Module Pin-Out Description**

| Pin            | Name     | Description   |
|----------------|----------|---|
| 1              | HIN3     | Logic Input for High Side Gate Driver - Phase 3         |
| 2              | LIN1     | Logic Input for Low Side Gate Driver - Phase 1          |
| 3              | LIN2     | Logic Input for Low Side Gate Driver - Phase 2          |
| 4              | LIN3     | Logic Input for Low Side Gate Driver - Phase 3          |
| 5              | /FLT     | Fault Output Pin  |
| 6              | Itrip    | Over-Current Protection Pin                             |
| 7              | EN       | Enable Pin  |
| 8              | RCin     | Reset Programming Pin                                   |
| 9, 39          | VSS, COM | Ground for Gate Drive IC and Low Side Gate Drive Return |
| 10, 11, 30, 37 | U, VS1   | Output 1, High Side Floating Supply Offset Voltage      |
| 12, 13         | VR1      | Phase 1 Low Side FET Source                             |
| 14, 15         | VR2      | Phase 2 Low Side FET Source                             |
| 16, 17, 38     | V, VS2   | Output 2, High Side Floating Supply Offset Voltage      |
| 18, 19         | W, VS3   | Output 3, High Side Floating Supply Offset Voltage      |
| 20, 21         | VR3      | Phase 3 Low Side FET Source                             |
| 22-29          | V+       | DC Bus Voltage Positive                                 |
| 31             | VB1      | High Side Floating Supply Voltage 1                     |
| 32             | VB2      | High Side Floating Supply Voltage 2                     |
| 33             | VB3      | High Side Floating Supply Voltage 3                     |
| 34             | VCC      | 15V Supply  |
| 35             | HIN1     | Logic Input for High Side Gate Driver - Phase 1         |
| 36             | HIN2     | Logic Input for High Side Gate Driver - Phase 2         |


**Notes**

Pads 37 and 38 can be omitted from the PCB footprint and hence do not need to be soldered

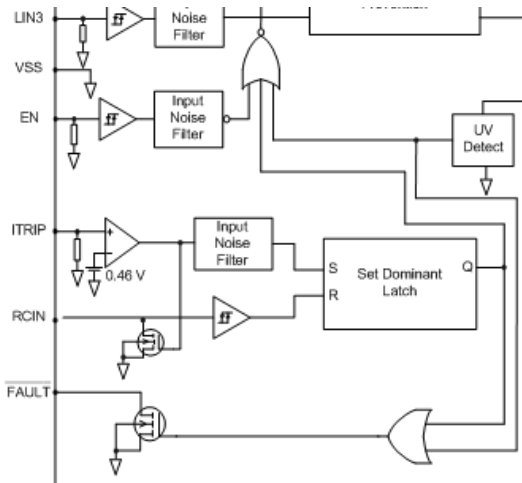
All pins with the same name are internally connected. For example, pins 10, 11, 30 and 37 are internally connected

## Fault Reporting and Programmable Fault Clear Timer

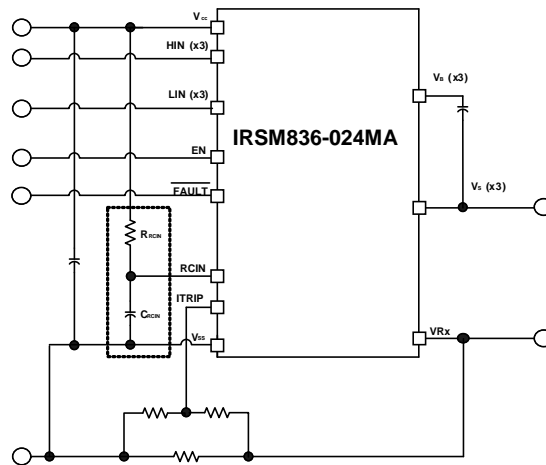
The IRSM836-024MA provides an integrated fault reporting output and an adjustable fault clear timer. There are two situations that would cause the IRSM836-024MA to report a fault via the **FLT** pin. The first is an under-voltage condition of **VCC** and the second is when the **ITRIP** pin recognizes a fault.

The fault clear timer provides a means of automatically re-enabling the module operation a preset amount of time after the fault condition has disappeared. When a fault condition occurs, the fault diagnostic output (**FLT**) stays in the low state until the fault condition has been removed and the fault clear timer expires; once the fault clear timer expires, the voltage on the **FLT** pin will return to the logic-high voltage. Figure 4a is a block-level diagram that focuses on the fault diagnostic and fault clear timer functionality of the driver chip within the module. The fault clear timer is defined with a simple resistor-capacitor (RC) network on the **RCin** pin, as shown in Figure 4b.

Figure 5 is a timing diagram showing the states of the **FLT** and **RCin** pins during both normal operation and under a fault condition. Under normal operation, both **FLT** and **RCin** are in high impedance (open drain) states.  $C_{RCIN}$  is fully-charged, and **FLT** is pulled up high. When a fault condition occurs, **RCin** and **FLT** are pulled low to **VSS** –  $C_{RCIN}$  is discharged; once the fault condition has been removed, **RCin** returns to a high impedance state and the fault clear timer begins – that is,  $C_{RCIN}$  starts charging via  $R_{RCIN}$ .  $t_{FLTCLR}$  seconds later – when the **RCin** voltage crosses a datasheet-defined threshold of  $V_{RCIN,TH}$ , **FLT** returns to a high impedance state and the module is operational again.  $t_{FLTCLR}$  is determined by a simple RC network, shown in Figure 6 -  $R_{RCIN}$  and  $C_{RCIN}$  determine how long the voltage at the **RCin** pin takes to reach the  $V_{RCIN,TH}$  fixed threshold.



**Figure 4a:** Block diagram showing internal functioning of fault diagnostic and fault clear timer



**Figure 4b:** Programming the fault clear timer


**Figure 5: RCIN and FLT pin waveforms**

The design guidelines for this network are shown in Table 1.  $C_{RCIN}$  needs to be small enough so that the discharge of the capacitor occurs before the fault condition disappears. If the fault condition disappears before the  $C_{RCIN}$  capacitor is sufficiently discharged, the module will be stuck in fault mode. To achieve sufficiently high fault clear time, it is thus recommend  $R_{RCIN}$  be increased while  $C_{RCIN}$  be kept small.

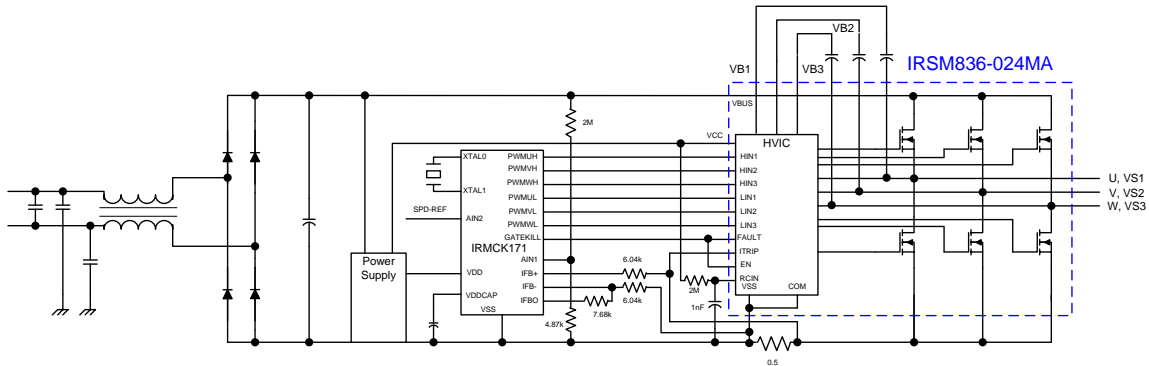
|            |                                |
|------------|--------------------------------|
| $C_{RCIN}$ | $\leq 1$ nF                    |
|            | Ceramic                        |
| $R_{RCIN}$ | 0.5 M $\Omega$ to 2 M $\Omega$ |
|            | $\gg R_{ON,RCIN}$              |

**Table 1: Design guidelines**

The length of the fault clear time period can be determined by using the formula below.

$$t_{FLTCLR} = -(R_{RCIN} C_{RCIN}) \ln \left( 1 - \frac{V_{RCIN,TH}}{V_{CC}} \right)$$

If the fault clear timer functionality is not needed, it is sufficient to pull the **RCin** pin up to **VCC** with  $R_{RCIN} \geq 10k\Omega$ . In this case,  $C_{RCIN}$  is not needed.

**Typical Application Connection IRSM836-024MA**


1. Electrolytic bus capacitors should be mounted as close to the module bus terminals as possible to reduce ringing and EMI problems. Additional high frequency ceramic capacitor mounted close to the module pins will further improve performance.
2. In order to provide good decoupling between VCC-VSS and VB1,2,3-VS1,2,3 terminals, the capacitors shown connected between these terminals should be located very close to the module pins. Additional high frequency capacitors, typically 0.1 $\mu$ F, are recommended.
3. Value of the boot-strap capacitors depends upon the switching frequency. Their selection should be made based on IR application note AN-1044.
4. PWM generator must be disabled within Fault duration to guarantee shutdown of the system. Over-current condition must be cleared before resuming operation.

### Current Capability in a Typical Application

Figure 6 shows the current capability for this module at specified conditions. The current capability of the module is affected by application conditions including the PCB layout, ambient temperature, maximum PCB temperature, modulation scheme, PCB copper thickness and so on. The curves below were obtained from measurements carried out on the IRMCS1471\_R4 reference design board which includes the IRSM836-024MA and IR's IRMCK171 digital control IC.

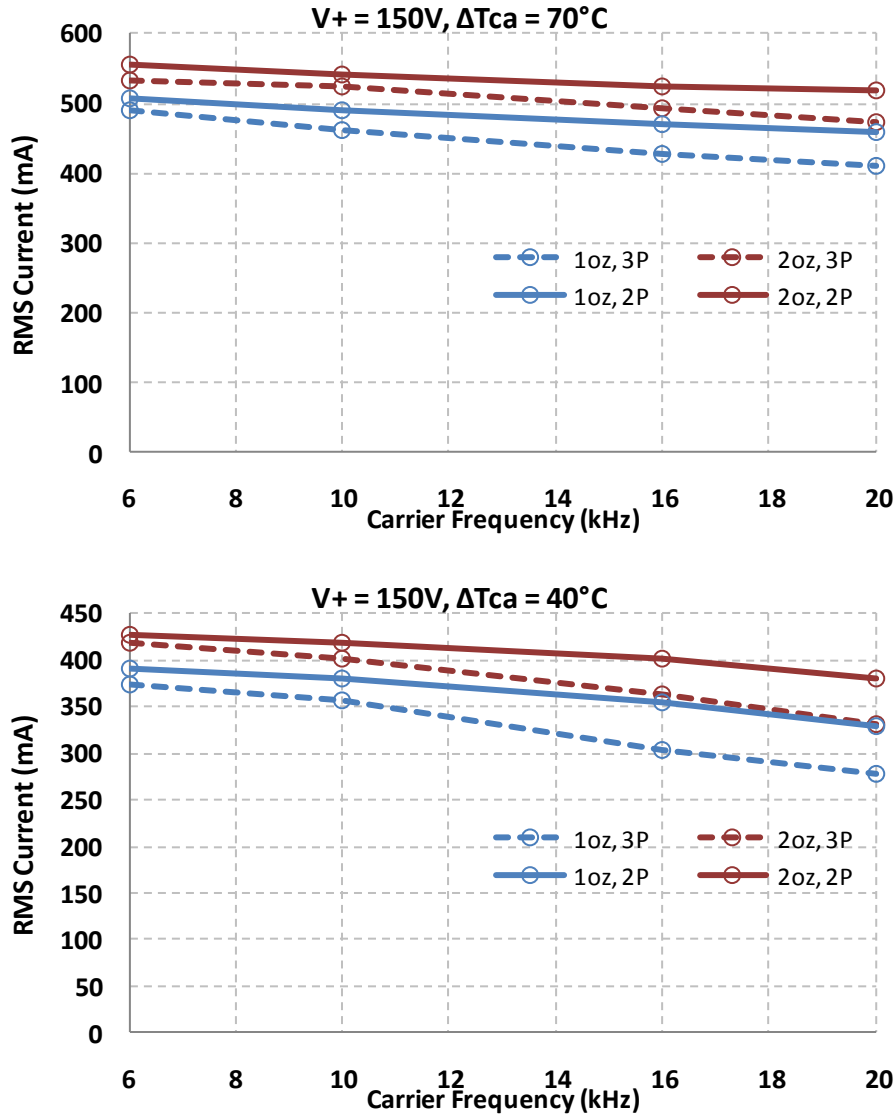
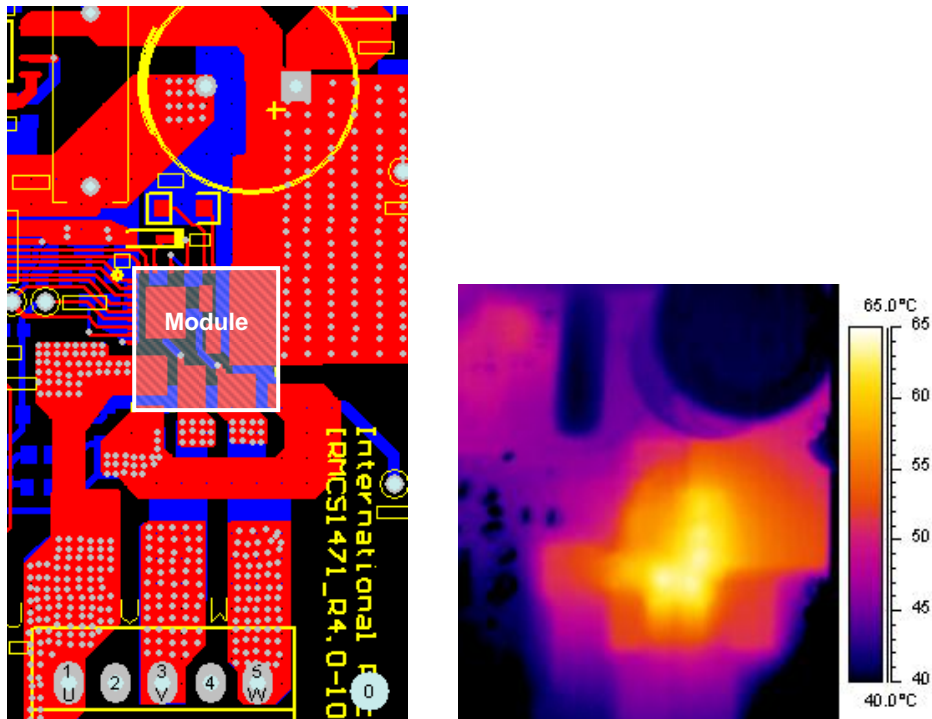


Figure 6: Maximum Sinusoidal Phase Current vs. PWM Switching Frequency Sinusoidal Modulation,  $V^+=150V$ , PF=0.98

### PCB Example

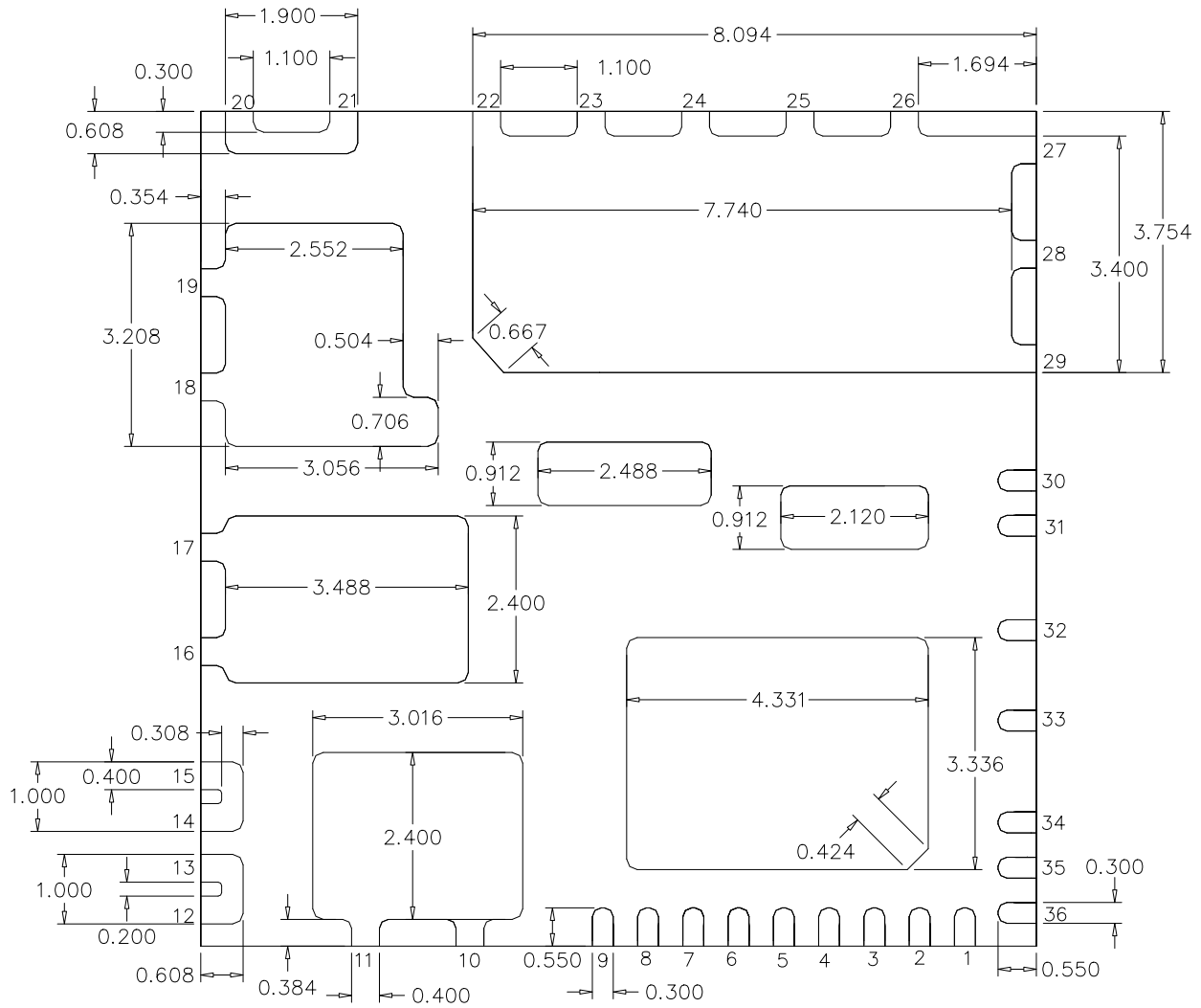
Figure 7 below shows an example layout for the application PCB. The effective area of the V+ top-layer copper plane is ~3cm<sup>2</sup> in this example. For an FR4 PCB with 1oz copper,  $R_{th(J-A)}$  is about 40°C/W. A lower  $R_{th(J-A)}$  can be achieved using thicker copper and/or additional layers.



**Figure 7:** PCB layout example and corresponding thermal image (6kHz, 2P, 2oz,  $\Delta T_{ca}=40^{\circ}\text{C}$ ,  $V_+ = 150\text{V}$ ,  $I_u = 427\text{mA}$ ,  $P_o = 94\text{W}$ )

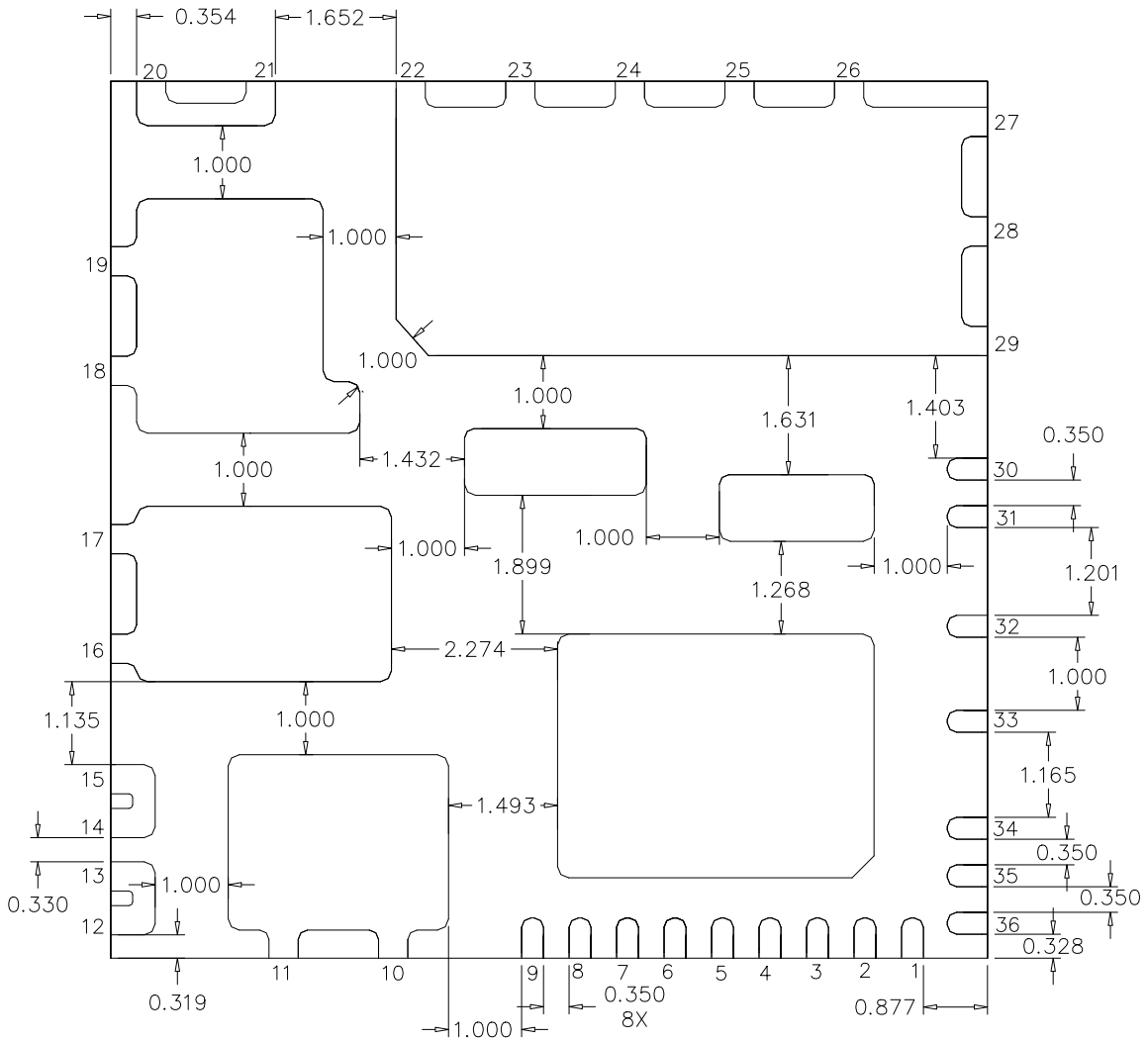
At the module's typical operating conditions,  $dV/dt$  of the phase node voltage is influenced by the load capacitance which includes parasitic capacitance of the PCB, MOSFET output capacitance and motor winding capacitance. To turn off the MOSFET, the load capacitance needs to be charged by the phase current. For the IRMCS1171 reference design, turn-off  $dV/dt$  ranges from 2 to 5 V/ns depending on the phase current magnitude. Turn-on  $dV/dt$  is influenced by PCB parasitic capacitance and motor winding capacitance and typically ranges from 4 to 6 V/ns. The MOSFET turn-on loss combined with the complimentary body diode reverse recovery loss comprises the majority of the total switching losses. Two-phase modulation can be used to reduce switching losses and run the module at higher phase currents.

**36L Package Outline IRSM836-024MA (Bottom View)**

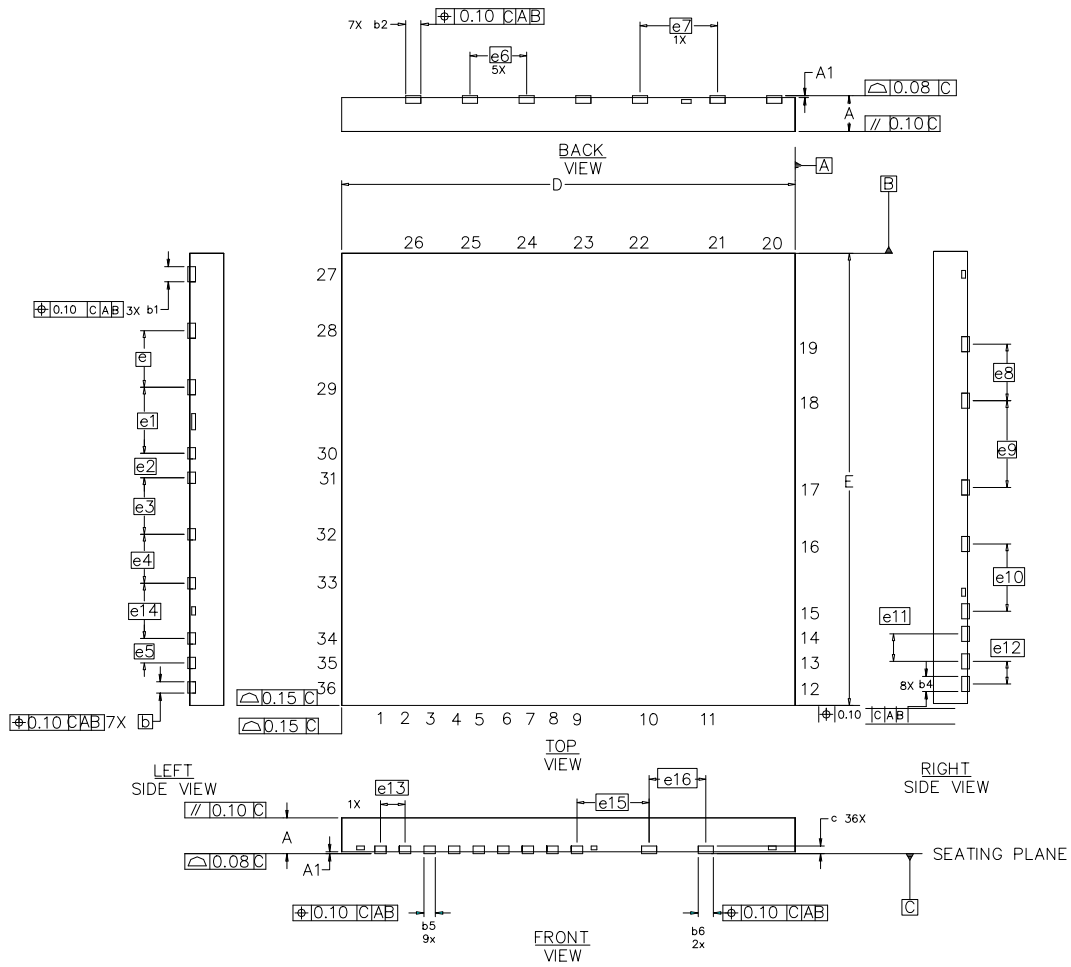


Dimensions in mm



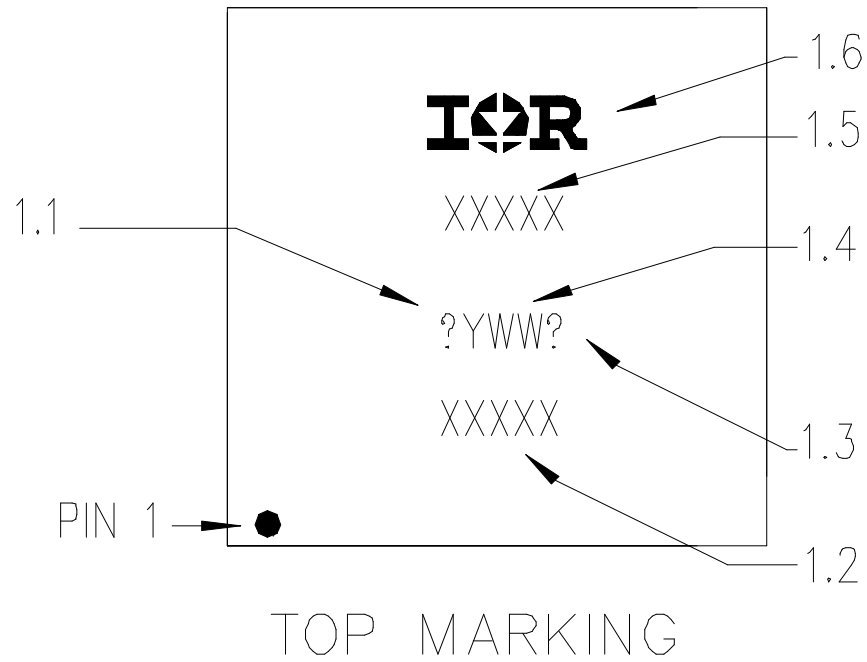
**36L Package Outline IRSM836-024MA (Bottom View)**

Dimensions in mm

**36L Package Outline IRSM836-024MA (Top and Side View)**


| DIM | MILLIMETERS  |       | DIM | VALUE       |
|-----|--------------|-------|-----|-------------|
|     | MIN          | MAX   |     |             |
| A   | 0.800        | 1.000 | e7  | 2.052 BASIC |
| A1  | 0.000        | 0.050 | e8  | 1.500 BASIC |
| b   | 0.250        | 0.350 | e9  | 2.304 BASIC |
| b1  | 0.350        | 0.450 | e10 | 1.785 BASIC |
| b2  | 0.350        | 0.450 | e11 | 0.730 BASIC |
| b4  | 0.350        | 0.450 | e12 | 0.600 BASIC |
| b5  | 0.250        | 0.350 | e13 | 0.650 BASIC |
| b6  | 0.350        | 0.450 | e14 | 1.465 BASIC |
| c   | 0.203 REF.   |       | e15 | 1.908 BASIC |
| D   | 12.000 BASIC |       | e16 | 1.500 BASIC |
| E   | 12.000 BASIC |       |     |             |
| e   | 1.500 BASIC  |       |     |             |
| e1  | 1.753 BASIC  |       |     |             |
| e2  | 0.650 BASIC  |       |     |             |
| e3  | 1.501 BASIC  |       |     |             |
| e4  | 1.300 BASIC  |       |     |             |
| e5  | 0.650 BASIC  |       |     |             |
| e6  | 1.500 BASIC  |       |     |             |

**Top Marking**



- 1.1 Site Code (H or C)
- 1.2 Last 4 characters of the production order prior to ".n" (n = 1 or 2 digit split indicator)
- 1.3 Lead Free Released: P  
Lead Free Samples: W  
Engineering / DOE: Y
- 1.4 Date Code: YWW (Y = last digit of the production calendar year. WW is week number in the calendar year)
- 1.5 Part Number: IRSM836-024MA
- 1.6 IR Logo

## Revision History

- January 30, 2013    Formatting corrections; added notes about what pins are internally connected; updated ordering table stating all parts are PbF.
- March 2015        Increased the recommended range for  $V_{CC}$  and  $V_{B1,2,3}$ ; added further details about the working of Fault Reporting & Programmable Fault Clear Timer; clarified conditions in avalanche table; made the part marking notes clearer; improved readability.

International  
 Rectifier

Data and Specifications are subject to change without notice  
**IR WORLD HEADQUARTERS:** 233 Kansas St., El Segundo, California 90245, USA Tel: (310) 252-7105  
TAC Fax: (310) 252-7903

Visit us at [www.irf.com](http://www.irf.com) for sales contact information

## X-ON Electronics

Largest Supplier of Electrical and Electronic Components

*Click to view similar products for [Motor/Motion/Ignition Controllers & Drivers](#) category:*

*Click to view products by [Infineon](#) manufacturer:*

Other Similar products are found below :

[FSB50550TB2](#) [FSBF15CH60BTH](#) [MSVCPM2-63-12](#) [MSVGW45-14-2](#) [MSVGW54-14-3](#) [MSVGW54-14-5](#) [NTE7043](#) [LA6565VR-TLM-E](#)  
[LB11650-E](#) [LB1837M-TLM-E](#) [LB1845DAZ-XE](#) [LC898300XA-MH](#) [SS30-TE-L-E](#) [26700](#) [LV8281VR-TLM-H](#) [BA5839FP-E2](#) [IRAM236-1067A](#) [LA6584JA-AH](#) [LB11847L-E](#) [NCV70501DW002R2G](#) [AH293-PL-B](#) [STK672-630CN-E](#) [TND315S-TL-2H](#) [FNA23060](#) [FSB50250AB](#)  
[FNA41060](#) [MSVB54](#) [MSVBTC50E](#) [MSVCPM3-54-12](#) [MSVCPM3-63-12](#) [MSVCPM4-63-12](#) [MSVTA120](#) [FSB50550AB](#)  
[NCV70501DW002G](#) [LC898301XA-MH](#) [LV8413GP-TE-L-E](#) [MSVGW45-14-3](#) [MSVGW45-14-4](#) [MSVGW45-14-5](#) [MSVGW54-14-4](#)  
[STK984-091A-E](#) [SLA7026M](#) [MP6519GQ-Z](#) [LB11651-E](#) [IRSM515-025DA4](#) [LV8127T-TLM-H](#) [NCP81382MNTXG](#) [TDA21801](#)  
[LB11851FA-BH](#) [NCV70627DQ001R2G](#)