

Bias supply DC-DC

KIT_6W_18V_P7_950V

Auxiliary supply solution featuring off-line SMPS current mode controller IC with 950 V CoolMOS™ P7 SJ MOSFET

Description

KIT_6W_18V_P7_950V



Ordering code:
KIT_6W_18V_P7_950V

Board components

- › CoolSET™ 5th gen. stand-alone controller ([ICE5QSAG](#))
- › 950 V CoolMOS™ P7 SJ MOSFET ([IPU95R3K7P7](#))

Board specifications

- › Input voltage: 90 V_{DC} - 440 V_{DC}
- › Output voltage: 18 V_{DC} (prim. + sec. side)
- › Output power max.: 6 W (prim. + sec. side)

Technical Parameter

KIT_6W_18V_P7_950V



Summary of features

- Quasi-resonant flyback using a Infineon's fifth generation controller
- Snubberless operation to improve efficiency
- 950 V breakdown voltage allows operating off of higher input voltages
- Primary side regulated 18 V and a secondary side unregulated 18 V output

In power supplies that are used for server, telecom, and industrial applications there is typically a small bias power supply in addition to the main power converter. This 6 W bias board is designed to run in a system where it is continuously powered from the 400VDC output of a boost power factor correction (PFC) converter and provides power to the fan, gate drivers, and controller. This board uses the ICE5QSAG quasi-resonant (QR) flyback controller and the new 950 V CoolMOS™ P7 (IPU95R3K7P7). This 950 V breakdown voltage gives additional margin in the system to ensure the bias continues to run through surge events. This design was done as a snubberless flyback converter to further improve the efficiency over the entire load range.

Description

Value

Max. Efficiency [%]	85
Max. Efficiency [%] @ Output Current [A]	0.35
Max. Efficiency [%] @ Input Voltage [V]	400
Nom. Efficiency [%]	85
Efficiency @ 10% load [%]	50
Efficiency @ 50% load [%]	85
Efficiency @ 100% load [%]	85
Switching frequency min [kHz]	25
Switching frequency max [kHz]	60
Input Voltage Type	DC
Input Voltage min [V]	90
Input Voltage nom [V]	380
Input Voltage max [V]	440

ICE5QSAG

Description:

- › Infineon latest 5th generation quasi-resonant flyback PWM controller offers high performance and comprehensive suite of protection to increase system robustness.

Summary of Features:

- › Novel quasi-resonant switching scheme
- › Rapid and adjustable start-up with cascode configuration
- › 2 level selectable active burst mode level
- › Built-in digital soft-start
- › Cycle by cycle peak current limitation
- › Digital frequency reduction with decreasing load for higher efficiency
- › Adjustable line input over-voltage and brown IN/OUT protection
- › V_{CC} and CS pin short to ground protection
- › OLP, output short, output over-voltage, OTP with hysteresis and V_{CC} over/under voltage protection
- › Auto-restart for all protection features



Benefits:

- › High efficiency with latest CoolMOS™ P7 SJ MOSFET family and quasi-resonant switching scheme
- › Auto-restart recovery scheme to minimize interruption to system operation
- › Extensive protection coverage to increase system robustness
- › Rapid start-up performance with cascode configuration

IPU95R3K7P7

Description:

- › Designed to meet the growing consumer needs in the high voltage MOSFETs arena, the latest 950 V CoolMOS™ P7 technology focuses on the low-power SMPS market.

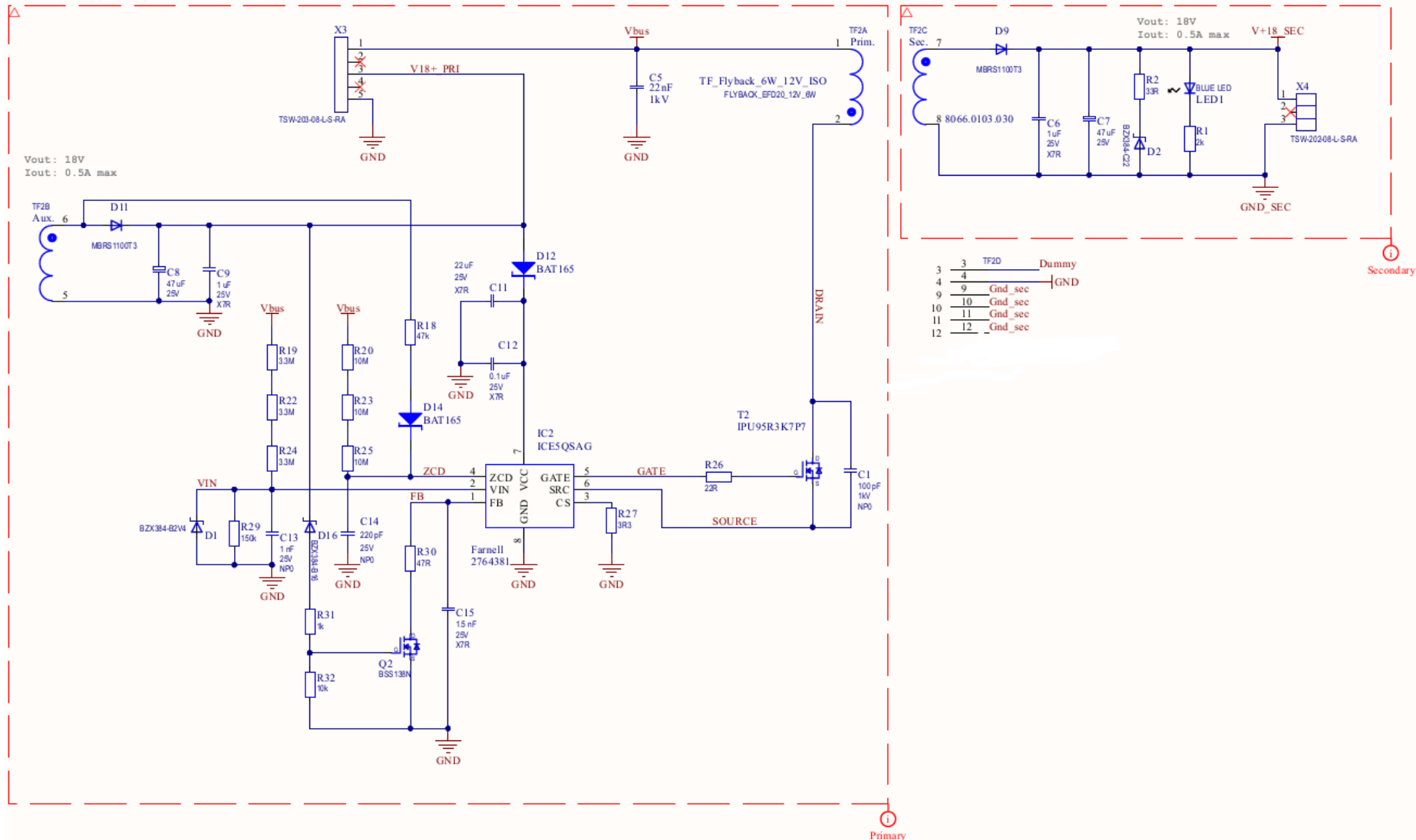
Summary of Features:

- › Offering 50V more blocking voltage than its predecessor 900V CoolMOS™ C3, the 950V CoolMOS™ P7 series delivers outstanding performance in terms of efficiency, thermal behavior and ease-of-use. As the all other P7 family members, the 950V CoolMOS™ P7 series comes with an integrated Zener diode ESD protection. The integrated diode considerably improves ESD robustness, thus reducing ESD-related yield loss and reaching exceptional ease-of-use levels. CoolMOS™ P7 is developed with best-in-class VGS(th) of 3V and a narrow tolerance of only $\pm 0.5V$, which makes it easy to drive and design-in.



Schematic

KIT_6W_18V_P7_950V



3	3	TF2D	Dummy
4	4		GND
9	9		Gnd_sec
10	10		Gnd_sec
11	11		Gnd_sec
12	12		Gnd_sec

Secondary

Primary

Transformer

KIT_6W_18V_P7_950V

AVV. Wind.	CONDUTTORE Wire	Nr. SPIRE Nr. of turns	R o t a z	PIN DI USCITA Pin output	SPIRE STRATO Turns per layer	Nr. STRATI Nr. of layers	NOTE Remarks
N1	Filo rame Ø0,15 Rif.4	0 65	+	2 3	56	2	ESEGUIRE 1 GIRO DI SPONDIRA H=3MM RIF.9 LATO 7-12 Execute 1 turn of tape h=3mm ref.9 side 7-12
ISOLAMENTO: 2		GIRI DI NASTRO ADESIVO POLIESTERE RIF. turns of polyester adhesive tape Ref.		7			
N2	TEX-E050 Rif.5	0 10	+	7 8	10	1	ATTRAVERSAMENTO A 90° SU NASTRO LATERALMENTE Perpendicular crossing on tape
ISOLAMENTO: 2		GIRI DI NASTRO ADESIVO POLIESTERE RIF. turns of polyester adhesive tape Ref.		7			
N3	Filo rame Ø0,50 Rif.6	0 10	+	6 5	10	1	LASCIARE 3MM LATO 7-12 ATTRAVERSAMENTO A 90° SU NASTRO LATERALMENTE Leave 3mm side 7-12. Perpendicular crossing on tape
ISOLAMENTO: 2		GIRI DI NASTRO ADESIVO POLIESTERE RIF. turns of polyester adhesive tape Ref.		7			
N4	Filo rame Ø0,15 Rif.4	0 65	+	3 1	46	2	ESEGUIRE 1 GIRO DI SPONDIRA H=3MM RIF.9 LATO 7-12 E 1 GIRO DI SPONDIRA H=1MM RIF.8 LATO 1-6 Execute 1 turn of tape H=3mm ref.9 side 7-12 and 1 turn of tape H=1mm ref.8 side 1-6
ISOLAMENTO: 2		GIRI DI NASTRO ADESIVO POLIESTERE RIF. turns of polyester adhesive tape Ref.		7			

POSIZIONAMENTO ROCCHETTO Positioning of the coilformer	PIEDINATURA (VISTA DAL BASSO) Pin-out (bottom view)
<p>Rif. pin 1</p>	

SCHEMA ELETTRICO Electrical diagram

MONTAGGIO – Assembling		
<p>APPLICARE NR.2 PIASTRINI ISOLANTI RIF.11 Apply nr.2 spacers ref.11</p>		
<p>ASSEMBLARE I SEMINUCLEI MEDIANTE 2 GIRI DI NASTRO RIF.10 Fix the halfcores with 2 turns of tape ref.10</p>		
<p>BLOCCARE NUCLEO/NUCLEO E ROCCHETTO/NUCLEO MEDIANTE RIF.15+16 Fix core/core and coil/core with ref.15+16</p>		
<p>TAGLIARE PIN 3 DOPO LA SALDATURA cut pin 3 after soldering</p>		
<p>2011/65/UE (RoHS-2) Compliant</p> <p style="text-align: right;">DIMENSIONI IN MILLIMETRI Dimensions in millimeters</p>		

COLLAUDO ELETTRICO – Electrical checking			
TIPO DI PROVA – Test	CONDIZIONI DI PROVA – Test Conditions	LIMITI – Limits	
INDUTTANZA Inductance	2-1 @ 10 kHz – 100 mV	4.25 ÷ 5.75 mH	
RAPPORTO SPIRE Turns ratio	TRA TUTTI GLI AVV. @ 10kHz – 100mV Between all windings	< 1 SPIRA Turn	
RIGIDITA' DIELETTRICA Dielectric strength	2+1+6+5/7+8 @ 4200 V – 50 Hz – 2 sec.	SUPERARE LA PROVA pass the test	
RIGIDITA' DIELETTRICA Dielectric strength	2+1/6+5 @ 300 V – 50 Hz – 2 sec.	SUPERARE LA PROVA pass the test	
INDUTTANZA DISPERSA Leakage inductance	2-1 @ 10 kHz – 100 mV – 5+6+7+8 c.c.	< 40 µH	

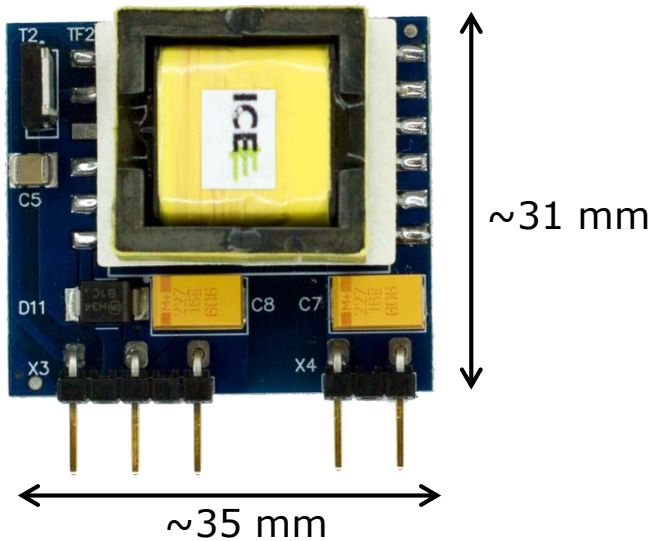
	01	30.06.17		EMISSIONE – Release	C. Picciani	D. Di Giorgio
	REV	DATA APPR	RIF. MOD.	DESCRIZIONE MODIFICA	REDAZIONE	VERIFICA E APPROVAZIONE
	Rev	Appr. Date	Ref. Mod.	Description of modification	Editing	Check and approval
TRANSFORMERS	DESCRIZIONE-Description			Transformer EFD20 SMD (6W_BIAS_V2)		
Mod.	DOCUMENTO-Document	CODICE-Part Number	REV.-Revision	DATA EMISSIONE-Release date	PAG.-Page	
AQ 05.09	P.F.	8066.0103.030	01	30.06.17	1/1	

Base board KIT_6W_18V_P7_950V



Ordering code:
KIT_6W_18V_P7_950V

Auxiliary supply solution featuring off-line SMPS current mode controller IC with an 950 V CoolMOS™ SJ MOSFET





Technical Material

- > Application Notes
- > Simulation Models
- > Datasheets
- > PCB Design Data

> www.infineon.com/kit-6w-18v-p7-950v

Evaluation Boards

- > Evaluation Boards
- > Demoboards
- > Reference Designs

> www.infineon.com/evaluationboards

Videos

- > Technical Videos
- > Product Information Videos

> www.infineon.com/mediacenter

Support Online tools and services



The screenshot shows the Infineon website header with the following elements:

- Infineon logo
- Navigation menu: Products, Applications, **Tools** (highlighted with a red box and '3'), About Infineon, Careers
- Utility links: **Newsletter** (highlighted with a red box and '1'), Contact, **Where to Buy** (highlighted with a red box and '2'), English, Login
- Search bar with a magnifying glass icon
- Main banner: A city skyline at night with the word "Lighting" in large white text. Below it, a sub-headline reads "New LED controller enables low-wattage luminaire designs August 26th 17:00 CEST" and a "Register Now!" button with a right-pointing arrow.
- Left and right navigation arrows on the banner.
- Five small grey dots at the bottom of the banner indicating a carousel.

- 1 **Subscribe to Newsletter**
- 2 **Where to Buy**
- 3 **Tools, Finders and Selectors**
- 4 **Support**

- Products
- Applications
- Tools
- Support** (highlighted with a red box and '4')
- Technology

- Power
- Automotive System IC
- ESD & EMI
- Microcontroller
- RF & Wireless Control
- Security IC
- Sensor
- Smart Card IC
- Interface
- Transistor & Diode

- Power Overview
- Power MOSFET
- IGBT
- Smart Low-Side & High-Side Switches
- Linear Voltage Regulator
- DC-DC Converter
- LED Driver | Lighting ICs
- Silicon Carbide (SiC)
- High Power Thyristors & Diodes
- Motor Control & Gate Driver
- AC-DC Supply

News & Tweets



Part of your life. Part of tomorrow.



X-ON Electronics

Largest Supplier of Electrical and Electronic Components

Click to view similar products for [Power Management IC Development Tools](#) category:

Click to view products by [Infineon](#) manufacturer:

Other Similar products are found below :

[EVB-EP5348UI](#) [MIC23451-AAAYFL EV](#) [MIC5281YMME EV](#) [124352-HMC860LP3E](#) [DA9063-EVAL](#) [ADP122-3.3-EVALZ](#) [ADP130-0.8-EVALZ](#) [ADP130-1.8-EVALZ](#) [ADP1740-1.5-EVALZ](#) [ADP1870-0.3-EVALZ](#) [ADP1874-0.3-EVALZ](#) [ADP199CB-EVALZ](#) [ADP2102-1.25-EVALZ](#) [ADP2102-1.875EVALZ](#) [ADP2102-1.8-EVALZ](#) [ADP2102-2-EVALZ](#) [ADP2102-3-EVALZ](#) [ADP2102-4-EVALZ](#) [AS3606-DB](#) [BQ25010EVM](#) [BQ3055EVM](#) [ISLUSBI2CKIT1Z](#) [LM2734YEVAL](#) [LP38512TS-1.8EV](#) [EVAL-ADM1186-1MBZ](#) [EVAL-ADM1186-2MBZ](#) [ADP122UJZ-REDYKIT](#) [ADP166Z-REDYKIT](#) [ADP170-1.8-EVALZ](#) [ADP171-EVALZ](#) [ADP1853-EVALZ](#) [ADP1873-0.3-EVALZ](#) [ADP198CP-EVALZ](#) [ADP2102-1.0-EVALZ](#) [ADP2102-1-EVALZ](#) [ADP2107-1.8-EVALZ](#) [ADP5020CP-EVALZ](#) [CC-ACC-DBMX-51](#) [ATPL230A-EK](#) [MIC23250-S4YMT EV](#) [MIC26603YJL EV](#) [MIC33050-SYHL EV](#) [TPS60100EVM-131](#) [TPS65010EVM-230](#) [TPS71933-28EVM-213](#) [TPS72728YFFEVM-407](#) [TPS79318YEQEV](#) [UCC28810EVM-002](#) [XILINXPWR-083](#) [LMR22007YMINI-EVM](#)