

# LED Drivers for Low Power LEDs

## BCR205W

Ultra low dropout LED controller

### Data Sheet

Revision 2.1, 2011-04-27

Industrial and Multimarket

**Edition 2011-04-27**

**Published by  
Infineon Technologies AG  
81726 Munich, Germany**

**© 2011 Infineon Technologies AG  
All Rights Reserved.**

### **Legal Disclaimer**

The information given in this document shall in no event be regarded as a guarantee of conditions or characteristics. With respect to any examples or hints given herein, any typical values stated herein and/or any information regarding the application of the device, Infineon Technologies hereby disclaims any and all warranties and liabilities of any kind, including without limitation, warranties of non-infringement of intellectual property rights of any third party.

### **Information**

For further information on technology, delivery terms and conditions and prices, please contact the nearest Infineon Technologies Office ([www.infineon.com](http://www.infineon.com)).

### **Warnings**

Due to technical requirements, components may contain dangerous substances. For information on the types in question, please contact the nearest Infineon Technologies Office.

Infineon Technologies components may be used in life-support devices or systems only with the express written approval of Infineon Technologies, if a failure of such components can reasonably be expected to cause the failure of that life-support device or system or to affect the safety or effectiveness of that device or system. Life support devices or systems are intended to be implanted in the human body or to support and/or maintain and sustain and/or protect human life. If they fail, it is reasonable to assume that the health of the user or other persons may be endangered.

**Revision History**

Page or Item	Subjects (major changes since previous revision)
<b>Revision 2.1, 2011-04-27</b>	
7	Features updated
<b>Revision 2.0, 2011-03-30</b>	
All	Preliminary status removed

**Trademarks of Infineon Technologies AG**

AURIX™, BlueMoon™, C166™, CanPAK™, CIPOS™, CIPURSE™, COMNEON™, EconoPACK™, CoolMOS™, CoolSET™, CORECONTROL™, CROSSAVE™, DAVE™, EasyPIM™, EconoBRIDGE™, EconoDUAL™, EconoPIM™, EiceDRIVER™, eupec™, FCOS™, HITFET™, HybridPACK™, I<sup>2</sup>RF™, ISOFACE™, IsoPACK™, MIPAQ™, ModSTACK™, my-d™, NovalithIC™, OmniTune™, OptiMOS™, ORIGA™, PRIMARION™, PrimePACK™, PrimeSTACK™, PRO-SIL™, PROFET™, RASIC™, ReverSave™, SatRIC™, SIEGET™, SINDRION™, SIPMOS™, SMARTi™, SmartLEWIS™, SOLID FLASH™, TEMPFET™, thinQ!™, TRENCHSTOP™, TriCore™, X-GOLD™, X-PMU™, XMM™, XPOSSYS™.

**Other Trademarks**

Advance Design System™ (ADS) of Agilent Technologies, AMBA™, ARM™, MULTI-ICE™, KEIL™, PRIMECELL™, REALVIEW™, THUMB™, μVision™ of ARM Limited, UK. AUTOSAR™ is licensed by AUTOSAR development partnership. Bluetooth™ of Bluetooth SIG Inc. CAT-iq™ of DECT Forum. COLOSSUS™, FirstGPS™ of Trimble Navigation Ltd. EMV™ of EMVCo, LLC (Visa Holdings Inc.). EPCOS™ of Epcos AG. FLEXGO™ of Microsoft Corporation. FlexRay™ is licensed by FlexRay Consortium. HYPERTERMINAL™ of Hilgraeve Incorporated. IEC™ of Commission Electrotechnique Internationale. IrDA™ of Infrared Data Association Corporation. ISO™ of INTERNATIONAL ORGANIZATION FOR STANDARDIZATION. MATLAB™ of MathWorks, Inc. MAXIM™ of Maxim Integrated Products, Inc. MICROTEC™, NUCLEUS™ of Mentor Graphics Corporation. Mifare™ of NXP. MIPI™ of MIPI Alliance, Inc. MIPS™ of MIPS Technologies, Inc., USA. muRata™ of MURATA MANUFACTURING CO., MICROWAVE OFFICE™ (MWO) of Applied Wave Research Inc., OmniVision™ of OmniVision Technologies, Inc. Openwave™ Openwave Systems Inc. RED HAT™ Red Hat, Inc. RFMD™ RF Micro Devices, Inc. SIRIUS™ of Sirius Satellite Radio Inc. SOLARIS™ of Sun Microsystems, Inc. SPANSION™ of Spansion LLC Ltd. Symbian™ of Symbian Software Limited. TAIYO YUDEN™ of Taiyo Yuden Co. TEAKLITE™ of CEVA, Inc. TEKTRONIX™ of Tektronix Inc. TOKO™ of TOKO KABUSHIKI KAISHA TA. UNIX™ of X/Open Company Limited. VERILOG™, PALLADIUM™ of Cadence Design Systems, Inc. VLYNQ™ of Texas Instruments Incorporated. VXWORKS™, WIND RIVER™ of WIND RIVER SYSTEMS, INC. ZETEX™ of Diodes Zetex Limited.

Last Trademarks Update 2010-10-26

## Table of Contents

	<b>Table of Contents</b> .....	4
	<b>List of Figures</b> .....	5
	<b>List of Tables</b> .....	6
<b>1</b>	<b>Features</b> .....	7
<b>2</b>	<b>Maximum Ratings</b> .....	8
<b>3</b>	<b>Thermal Characteristics</b> .....	9
<b>4</b>	<b>Electrical Characteristics</b> .....	10
4.1	DC Characteristics .....	10
<b>5</b>	<b>Basic Application Information</b> .....	11
<b>6</b>	<b>Package Information</b> .....	16

## List of Figures

Figure 1	Pin out. . . . .	7
Figure 2	Total Power Dissipation . . . . .	9
Figure 3	BCR205W supply current vs. supply voltage ( $T_A=25^\circ\text{C}$ ) . . . . .	10
Figure 4	30 mA Application using BCR108. . . . .	11
Figure 5	50 mA Application using BC817K-40 . . . . .	11
Figure 6	LED Current vs. Supply Voltage in 1 LED Application with BCR108 . . . . .	13
Figure 7	LED Current vs. Ambient Temperature in 1 LED Application with BCR108 . . . . .	13
Figure 8	Drop Voltage vs. LED current in 1 LED Application with BCR108 . . . . .	13
Figure 9	LED Current vs. Supply Voltage in 1 LED Application with BC817K-40. . . . .	14
Figure 10	LED Current vs. Ambient Temperature in 1 LED Application with BC817K-40 . . . . .	14
Figure 11	Drop Voltage vs. LED current in 1 LED Application with BC817K-40. . . . .	14
Figure 12	LED Current vs. Supply Voltage in 3 LED Application with BC817K-40. . . . .	15
Figure 13	LED Current vs. Ambient Temperature in 3 LED Application with BC817K-40 . . . . .	15
Figure 14	Drop Voltage vs. LED current in 3 LED Application with BC817K-40. . . . .	15
Figure 15	Package outline . . . . .	16
Figure 16	Recommended PCB Footprint for Reflow Soldering . . . . .	16
Figure 17	Tape Loading . . . . .	16

## List of Tables

Table 1	Maximum Ratings .....	8
Table 2	Maximum Thermal Resistance .....	9
Table 3	DC Characteristics .....	10
Table 4	DC Characteristics with BCR108 .....	12
Table 5	DC Characteristics with BC817K-40 .....	12

## Ultra low dropout LED controller

### 1 Features

- Wide input voltage range 1.8 - 18 V
- Ultra low voltage overhead of only 0.2 V
- LED current 5 mA to 80 mA with external transistor
- Tailored to drive 0.1 W - 0.2 W LEDs
- Typical 3 % LED current accuracy
- Small Package: SOT343



### Applications

- Channel letters for advertising
- LED strips for decorative lighting
- Aircraft, train, ship illumination
- Refrigerator, white goods lighting
- Architectural lighting

### Description

The BCR205W is an easy to use LED Controller requiring a minimum supply voltage that is only 0.2 V higher than the forward voltage of the LEDs. This enables the possibility to connect the maximum amount of LEDs in series with available supply voltage. The LED current is supplied via an external transistor and adjusted by a sense resistor.

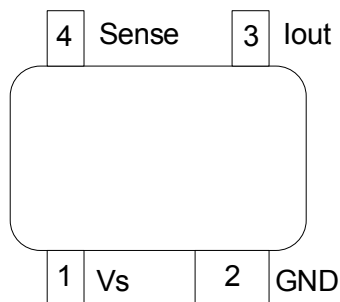
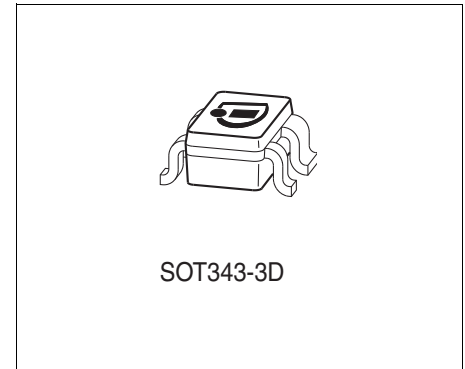


Figure 1 Pin out

Product Name	Package	Pin Configuration				Marking
BCR205W	SOT343	1 = Vs	2 = GND	3 = Iout	4 = Sense	W7s



## 2 Maximum Ratings

**Table 1** Maximum Ratings

Parameter	Symbol	Values			Unit	Note / Test Condition
		Min.	Typ.	Max.		
Supply voltage	$V_s$	–	–	18	V	–
Output current	$I_{out}$	–	–	0.5	mA	–
Total power dissipation, $T_s \leq 103^\circ\text{C}$	$P_{tot}$	–	–	100	mW	–
Junction temperature	$T_J$	–	–	150	$^\circ\text{C}$	–
Storage temperature range	$T_{STG}$	-65	–	150	$^\circ\text{C}$	–

**Attention:** Stresses above the max. values listed here may cause permanent damage to the device. Exposure to absolute maximum rating conditions for extended periods may affect device reliability. Maximum ratings are absolute ratings; exceeding only one of these values may cause irreversible damage to the integrated circuit.

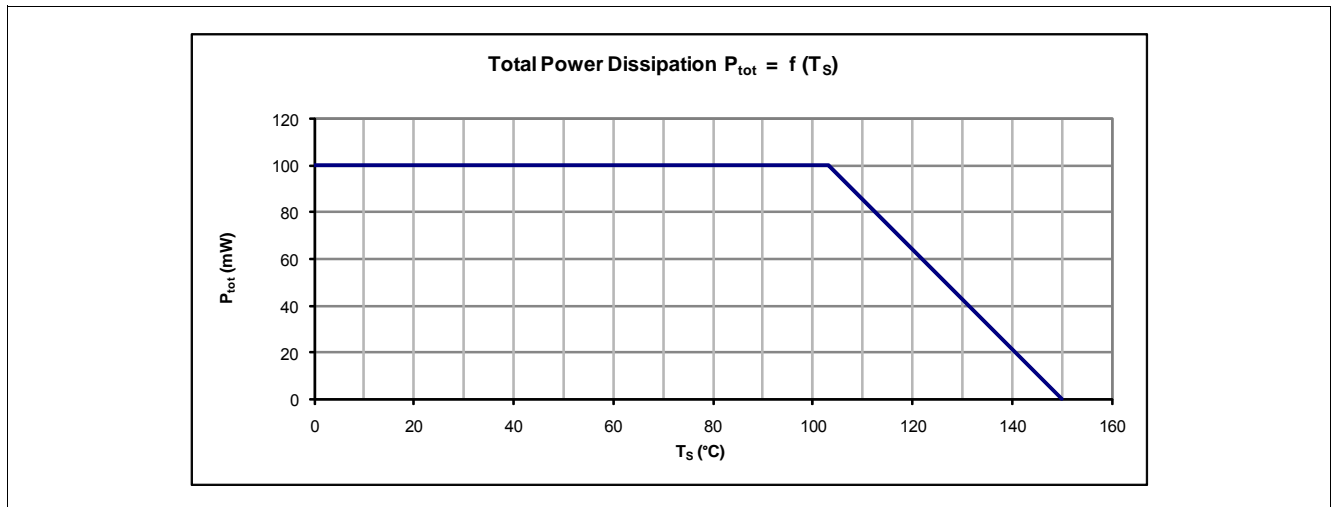


### 3 Thermal Characteristics

**Table 2 Maximum Thermal Resistance**

Parameter	Symbol	Values			Unit	Note / Test Condition
		Min.	Typ.	Max.		
Junction - soldering point <sup>1)</sup>	$R_{thJS}$	–	–	470	K/W	–

1) For calculation of  $R_{thJA}$  please refer to application note AN077, "Thermal Resistance Calculation"



**Figure 2 Total Power Dissipation**

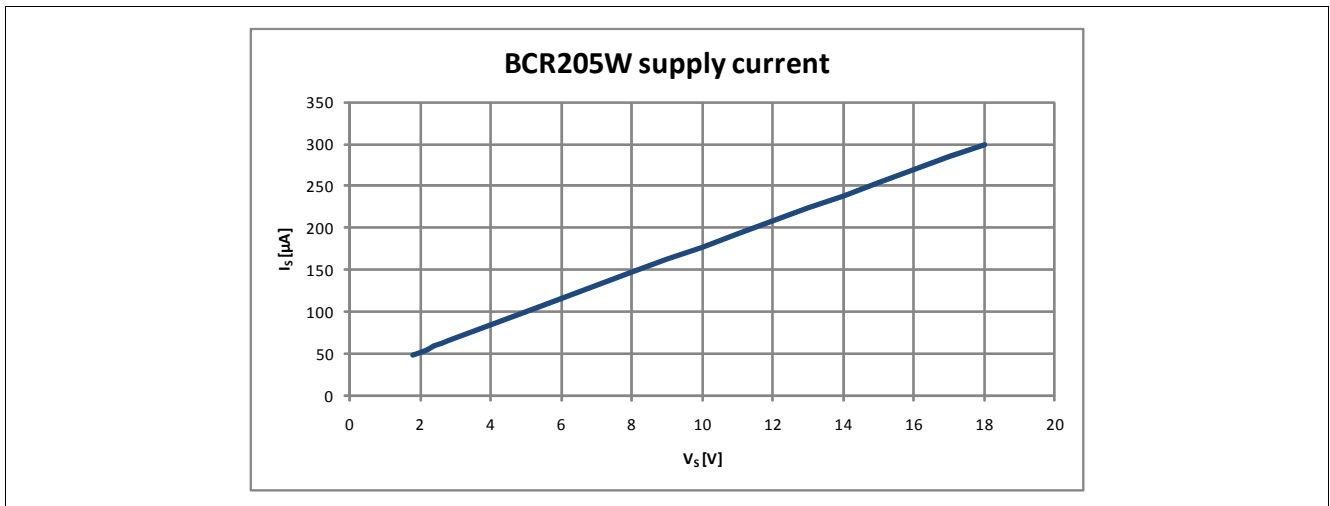
## 4 Electrical Characteristics

### 4.1 DC Characteristics

All parameters at  $T_A = 25\text{ }^\circ\text{C}$ , unless otherwise specified.

**Table 3 DC Characteristics**

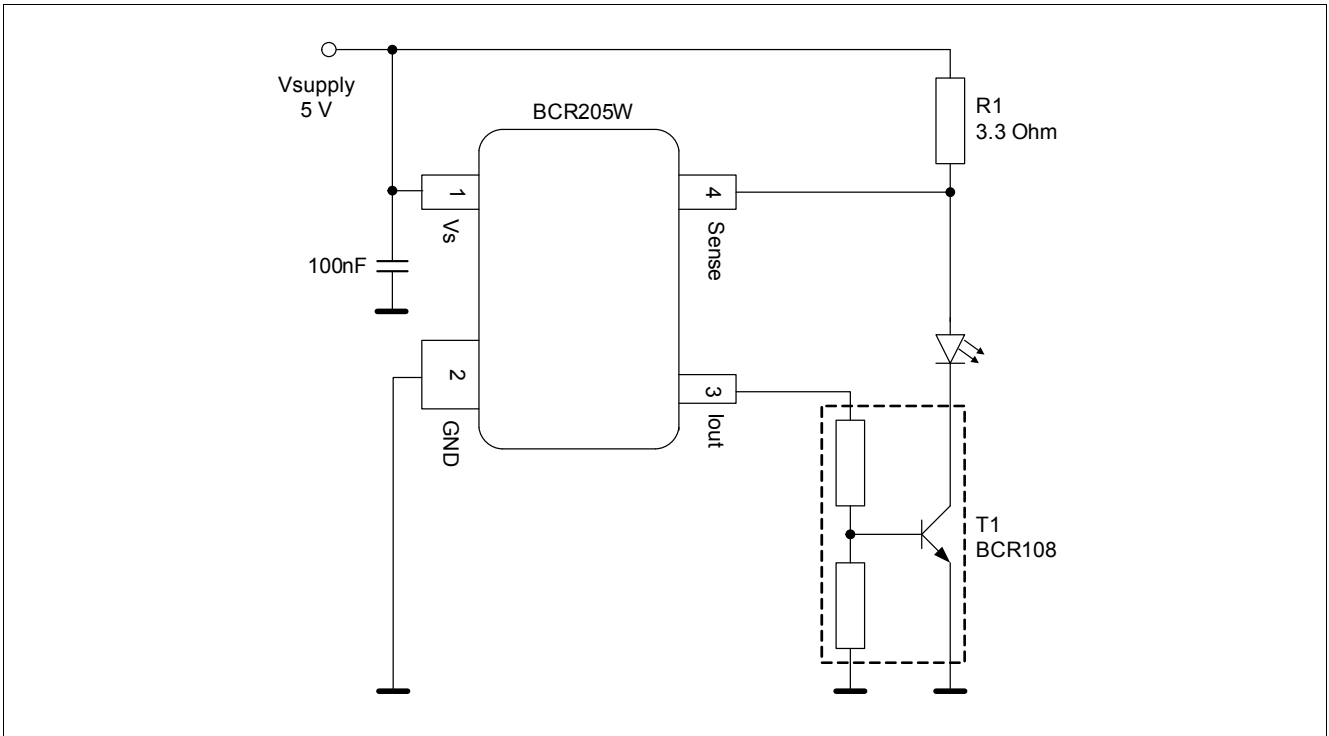
Parameter	Symbol	Values			Unit	Note / Test Condition
		Min.	Typ.	Max.		
Device supply current $V_S = 3\text{ V}, I_{OUT} = 0\text{ A}$	$I_S$	–	75	200	$\mu\text{A}$	–
Device supply current $V_S = 18\text{ V}, I_{OUT} = 0\text{ A}$	$I_S$	–	300	600	$\mu\text{A}$	–
Minimum supply voltage	$V_{Smin}$	–	1.8	–	V	–



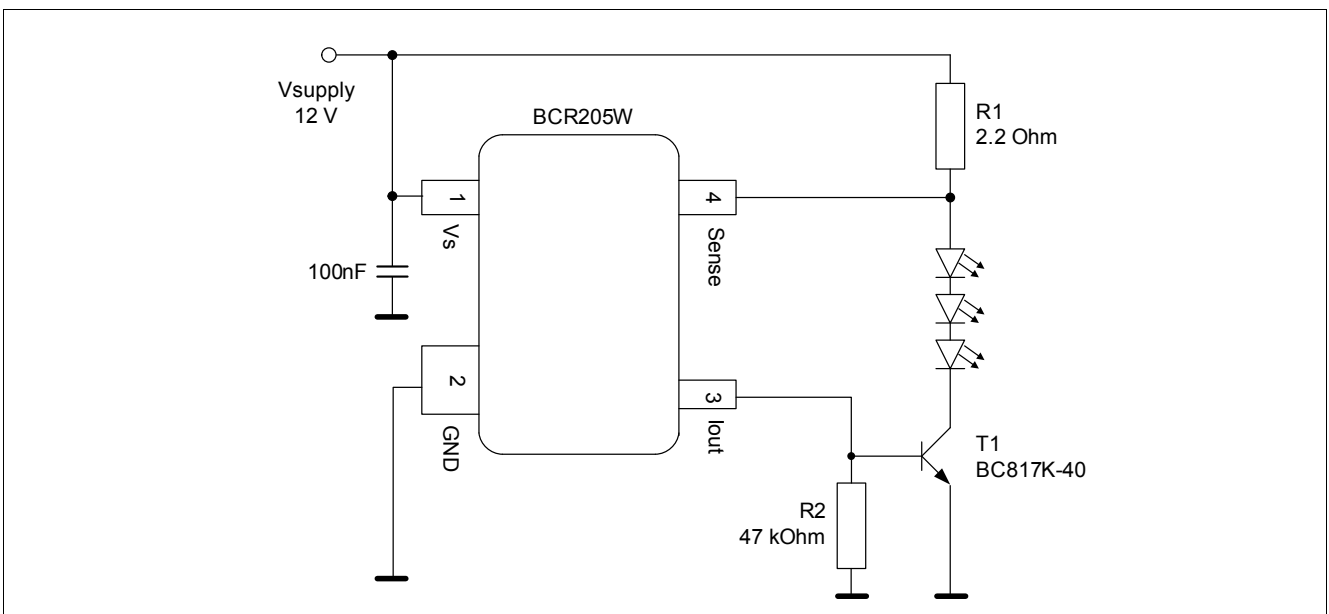
**Figure 3 BCR205W supply current vs. supply voltage ( $T_A=25^\circ\text{C}$ )**

## 5 Basic Application Information

BCR205W is an easy to use LED Controller requiring just an external sense resistor and transistor to control the LED current. Subsequent application examples show the electrical measurement results of BCR205W controlling 1 respective 3 LEDs with an external transistor BCR108 or BC817K-40.



**Figure 4** 30 mA Application using BCR108



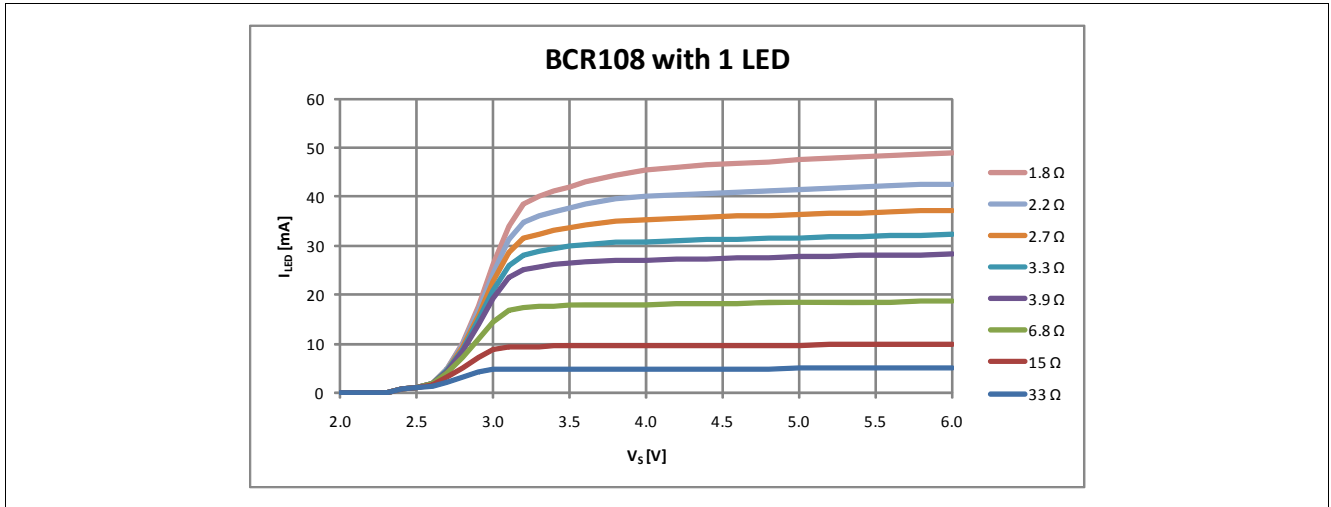
**Figure 5** 50 mA Application using BC817K-40

**Table 4 DC Characteristics with BCR108**

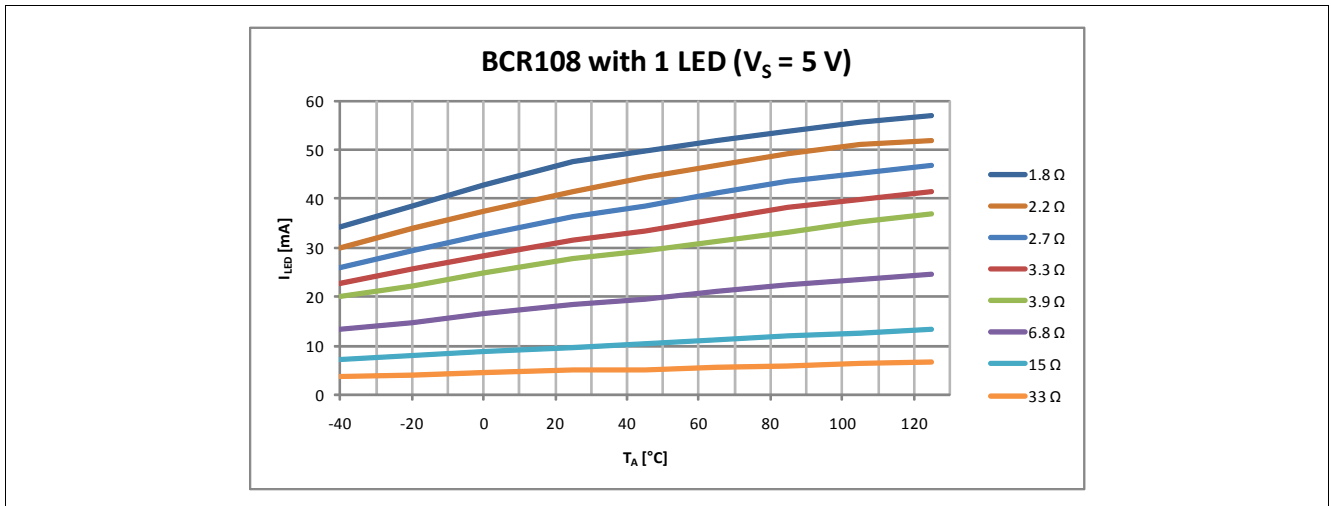
Parameter	Symbol	Values			Unit	Note / Test Condition
		Min.	Typ.	Max.		
LED current $R_1 = 3.3 \Omega, V_S = 5 \text{ V}$	$I_{LED}$	–	32	–	mA	
Voltage drop at resistor $R_1$ $R_1 = 3.3 \Omega, V_S = 5 \text{ V}$	$V_{drop}$	–	104	–	mV	
Change of $I_{LED}$ versus $V_S$ $R_1 = 3.3 \Omega, V_S = 5 \text{ V}$	$\Delta I_C / \Delta V_S$	–	2.4	–	%/V	
Change of $I_{LED}$ versus $T_A$ $R_1 = 3.3 \Omega, V_S = 5 \text{ V}$	$\Delta I_C / \Delta T_A$	–	0.4	–	%/K	

**Table 5 DC Characteristics with BC817K-40**

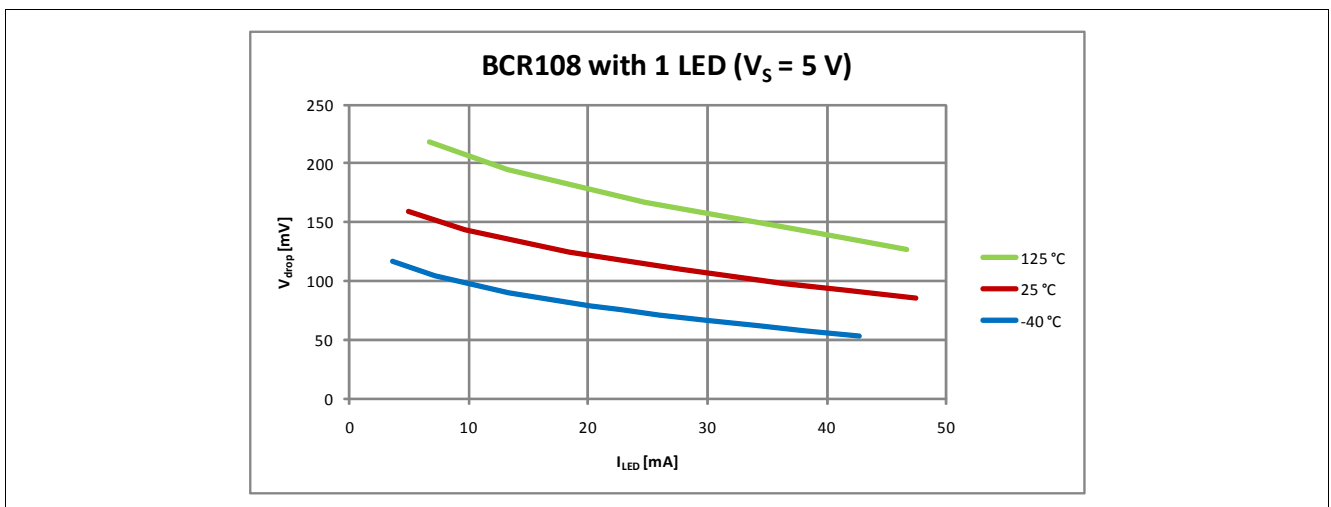
Parameter	Symbol	Values			Unit	Note / Test Condition
		Min.	Typ.	Max.		
LED current $R_1 = 2.2 \Omega, V_S = 12 \text{ V}$	$I_{LED}$	–	48	–	mA	
Voltage drop at resistor $R_1$ $R_1 = 2.2 \Omega, V_S = 12 \text{ V}$	$V_{drop}$	–	107	–	mV	
Change of $I_C$ versus $V_S$ $R_1 = 2.2 \Omega, V_S = 12 \text{ V}$	$\Delta I_C / \Delta V_S$	–	1.4	–	%/V	
Change of $I_C$ versus $T_A$ $R_1 = 2.2 \Omega, V_S = 12 \text{ V}$	$\Delta I_C / \Delta T_A$	–	0.4	–	%/K	



**Figure 6 LED Current vs. Supply Voltage in 1 LED Application with BCR108**



**Figure 7 LED Current vs. Ambient Temperature in 1 LED Application with BCR108**



**Figure 8 Drop Voltage vs. LED current in 1 LED Application with BCR108**

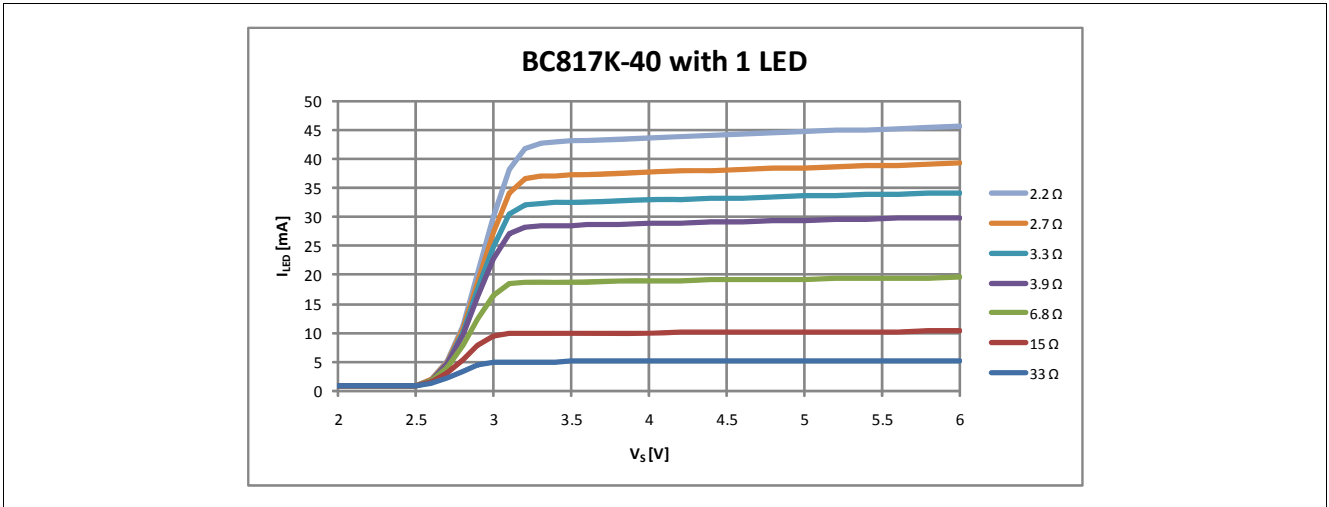


Figure 9 LED Current vs. Supply Voltage in 1 LED Application with BC817K-40

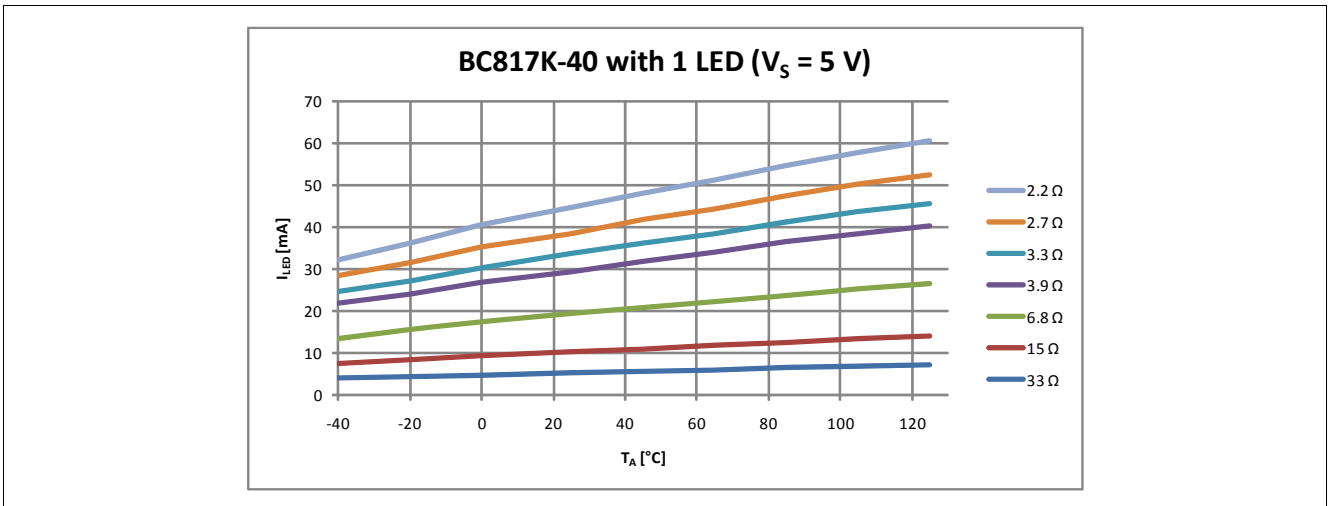


Figure 10 LED Current vs. Ambient Temperature in 1 LED Application with BC817K-40

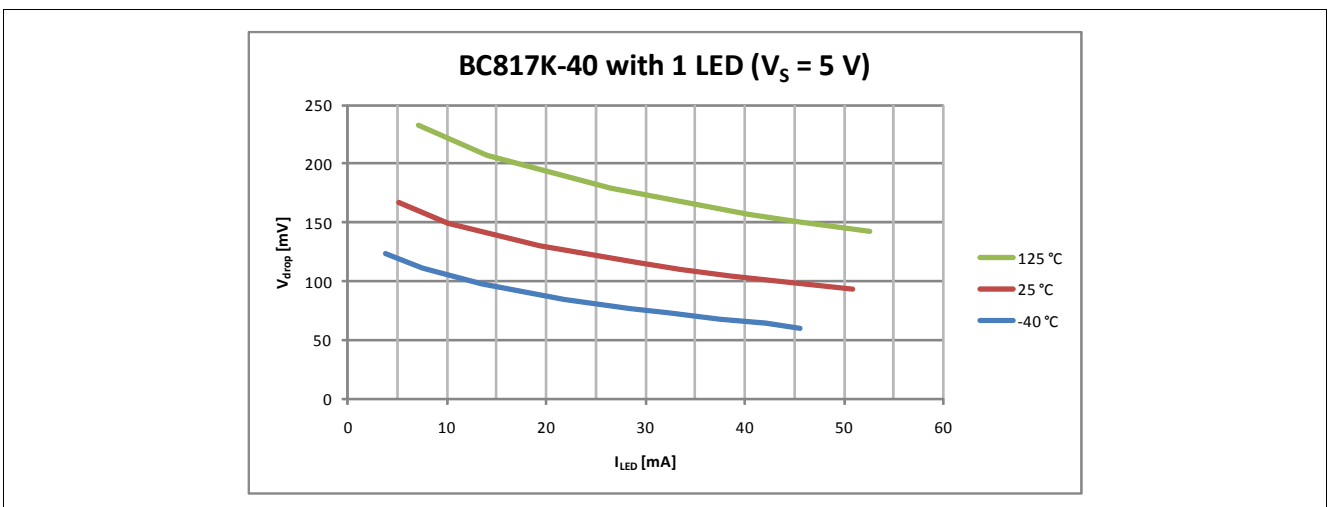


Figure 11 Drop Voltage vs. LED current in 1 LED Application with BC817K-40

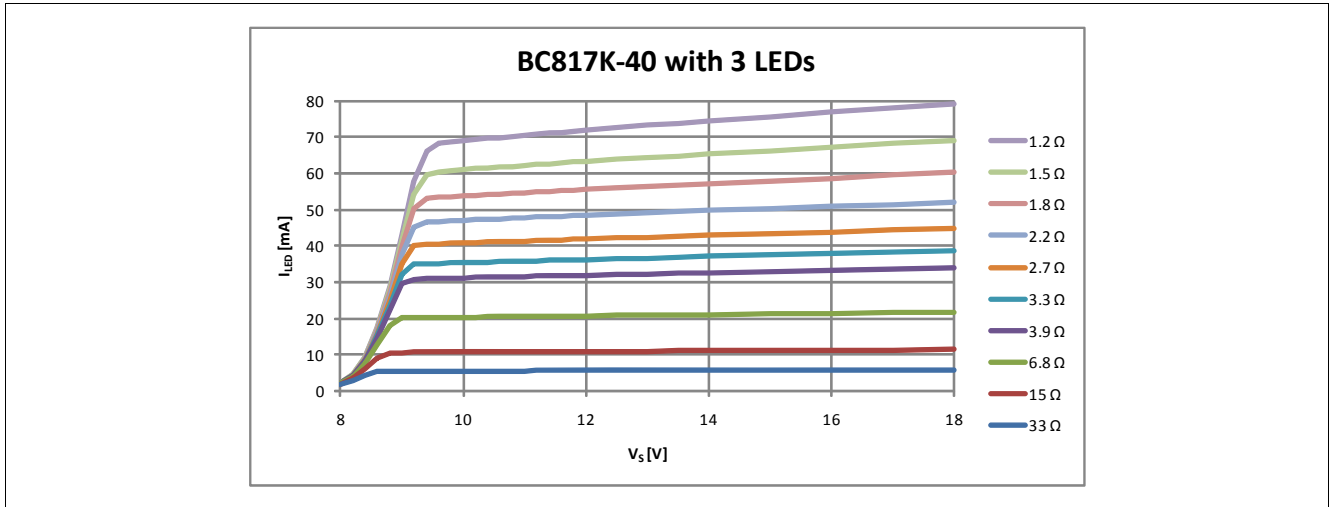


Figure 12 LED Current vs. Supply Voltage in 3 LED Application with BC817K-40

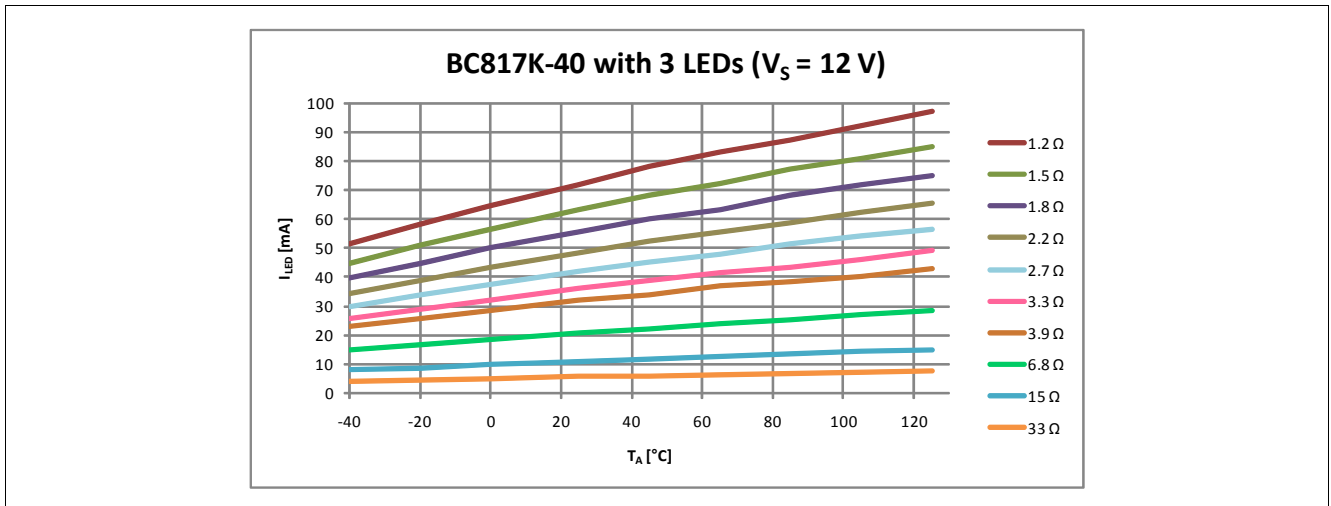


Figure 13 LED Current vs. Ambient Temperature in 3 LED Application with BC817K-40

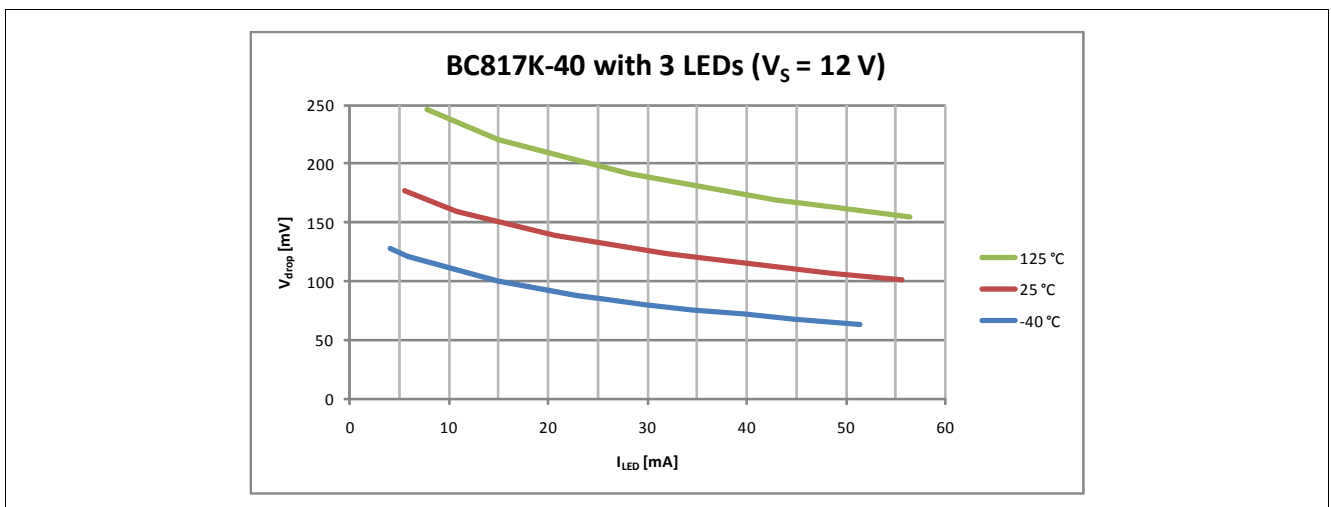


Figure 14 Drop Voltage vs. LED current in 3 LED Application with BC817K-40

## 6 Package Information

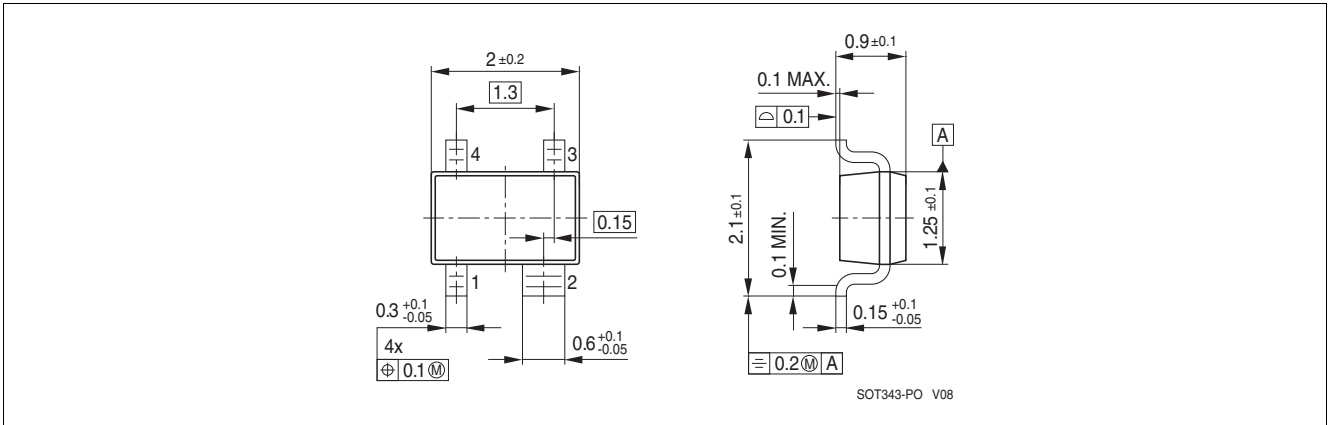


Figure 15 Package outline

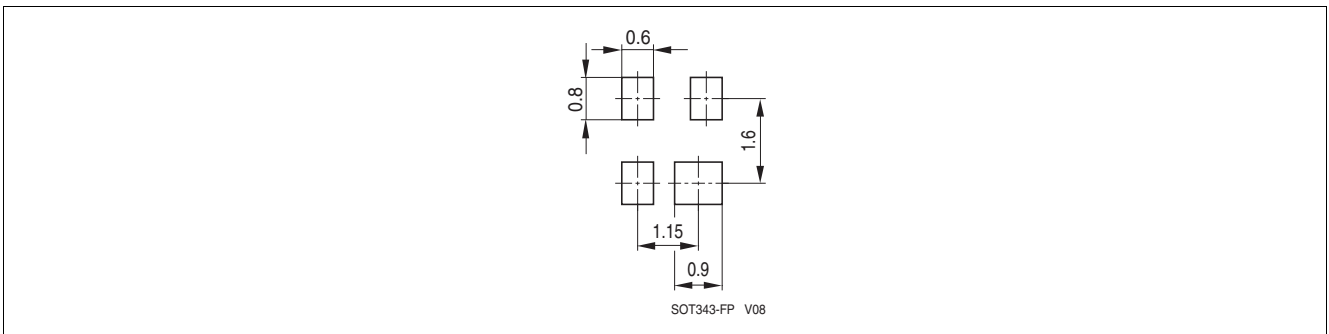


Figure 16 Recommended PCB Footprint for Reflow Soldering

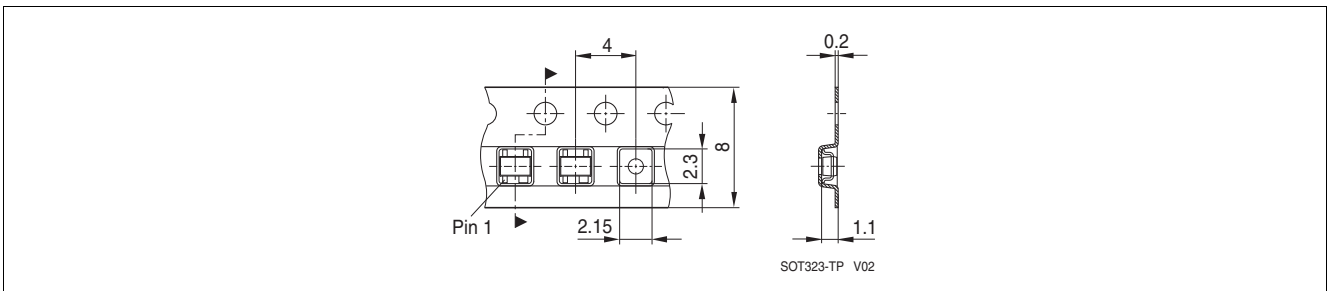


Figure 17 Tape Loading



[www.infineon.com](http://www.infineon.com)

Published by Infineon Technologies AG

## X-ON Electronics

Largest Supplier of Electrical and Electronic Components

*Click to view similar products for [LED Lighting Development Tools](#) category:*

*Click to view products by [Infineon](#) manufacturer:*

Other Similar products are found below :

[MIC2870YFT EV](#) [TDGL014](#) [ISL97682IRTZEVALZ](#) [EA6358NH](#) [TPS92315EVM-516](#) [STEVAL-LLL006V1](#) [IS31LT3948-GRLS4-EB](#)  
[PIM526](#) [PIM527](#) [MAX6946EVKIT+](#) [MAX20070EVKIT#](#) [MAX20090BEVKIT#](#) [PIM498](#) [AP8800EV1](#) [AP8802HEV2](#) [ZXLD1370/1EV4](#)  
[1216.1013](#) [1270](#) [1271.2004](#) [1272.1030](#) [1273.1010](#) [1278.1010](#) [1279.1002](#) [1279.1001](#) [1282.1000](#) [1293.1900](#) [1293.1800](#) [1293.1700](#)  
[1293.1500](#) [1293.1100](#) [1282.1400](#) [1282.1100](#) [1293.1200](#) [1282.1200](#) [1293.1000](#) [1282.6000](#) [1296.2012](#) [MIKROE-2520](#) [1721](#) [1762](#) [PIR-](#)  
[GEVB](#) [TPS61161EVM-243](#) [STEVAL-ILL056V1](#) [ADM00767](#) [STEVAL-ILL080V1](#) [DC1224A](#) [DC1160A](#) [DC1039A-A](#) [DC1816B](#)  
[DC1511A-A](#)