

XMC4000 Application Kit

For XMC4000 Family

CPU_45A-V3

CPU Board XMC4500 General Purpose

Board User's Manual

Revision 1.0, 2014-01-10

Microcontroller

Edition 2014-01-10

**Published by
Infineon Technologies AG
81726 Munich, Germany**

**© 2014 Infineon Technologies AG
All Rights Reserved.**

Legal Disclaimer

The information given in this document shall in no event be regarded as a guarantee of conditions or characteristics. With respect to any examples or hints given herein, any typical values stated herein and/or any information regarding the application of the device, Infineon Technologies hereby disclaims any and all warranties and liabilities of any kind, including without limitation, warranties of non-infringement of intellectual property rights of any third party.

Information

For further information on technology, delivery terms and conditions and prices, please contact the nearest Infineon Technologies Office (www.infineon.com).

Warnings

Due to technical requirements, components may contain dangerous substances. For information on the types in question, please contact the nearest Infineon Technologies Office.

Infineon Technologies components may be used in life-support devices or systems only with the express written approval of Infineon Technologies, if a failure of such components can reasonably be expected to cause the failure of that life-support device or system or to affect the safety or effectiveness of that device or system. Life support devices or systems are intended to be implanted in the human body or to support and/or maintain and sustain and/or protect human life. If they fail, it is reasonable to assume that the health of the user or other persons may be endangered.

Revision History

Page or Item	Subjects (major changes since previous revision)
Revision V1.0, 2014-01-10	Initial release

Trademarks of Infineon Technologies AG

AURIX™, C166™, CanPAK™, CIPOS™, CIPURSE™, EconoPACK™, CoolMOS™, CoolSET™, CORECONTROL™, CROSSAVE™, DAVE™, EasyPIM™, EconoBRIDGE™, EconoDUAL™, EconoPIM™, EiceDRIVER™, eupec™, FCOS™, HITFET™, HybridPACK™, I²RF™, ISOFACE™, IsoPACK™, MIPAQ™, ModSTACK™, my-d™, NovalithIC™, OptiMOS™, ORIGA™, PRIMARION™, PrimePACK™, PrimeSTACK™, PRO-SIL™, PROFET™, RASIC™, ReverSave™, SatRIC™, SIEGET™, SINDRION™, SIPMOS™, SmartLEWIS™, SOLID FLASH™, TEMPFET™, thinQ!™, TRENCHSTOP™, TriCore™.

Other Trademarks

Advance Design System™ (ADS) of Agilent Technologies, AMBA™, ARM™, MULTI-ICE™, KEIL™, PRIMECELL™, REALVIEW™, THUMB™, μVision™ of ARM Limited, UK. AUTOSAR™ is licensed by AUTOSAR development partnership. Bluetooth™ of Bluetooth SIG Inc. CAT-iq™ of DECT Forum. COLOSSUS™, FirstGPS™ of Trimble Navigation Ltd. EMV™ of EMVCo, LLC (Visa Holdings Inc.). EPCOS™ of Epcos AG. FLEXGO™ of Microsoft Corporation. FlexRay™ is licensed by FlexRay Consortium. HYPERTERMINAL™ of Hilgraeve Incorporated. IEC™ of Commission Electrotechnique Internationale. IrDA™ of Infrared Data Association Corporation. ISO™ of INTERNATIONAL ORGANIZATION FOR STANDARDIZATION. MATLAB™ of MathWorks, Inc. MAXIM™ of Maxim Integrated Products, Inc. MICROTEC™, NUCLEUS™ of Mentor Graphics Corporation. Mifare™ of NXP. MIPI™ of MIPI Alliance, Inc. MIPS™ of MIPS Technologies, Inc., USA. muRata™ of MURATA MANUFACTURING CO., MICROWAVE OFFICE™ (MWO) of Applied Wave Research Inc., OmniVision™ of OmniVision Technologies, Inc. Openwave™ Openwave Systems Inc. RED HAT™ Red Hat, Inc. RFMD™ RF Micro Devices, Inc. SIRIUS™ of Sirius Satellite Radio Inc. SOLARIS™ of Sun Microsystems, Inc. SPANSION™ of Spansion LLC Ltd. Symbian™ of Symbian Software Limited. TAIYO YUDEN™ of Taiyo Yuden Co. TEAKLITE™ of CEVA, Inc. TEKTRONIX™ of Tektronix Inc. TOKO™ of TOKO KABUSHIKI KAISHA TA. UNIX™ of X/Open Company Limited. VERILOG™, PALLADIUM™ of Cadence Design Systems, Inc. VLYNQ™ of Texas Instruments Incorporated. VXWORKS™, WIND RIVER™ of WIND RIVER SYSTEMS, INC. ZETEX™ of Diodes Zetex Limited.

Last Trademarks Update 2011-02-24

Table of Contents

Introduction	7
1 Overview	7
1.1 Key Features	7
1.2 Block Diagram	8
2 Hardware Description	9
2.1 Power Supply	10
2.2 Reset	12
2.3 Clock Generation.....	12
2.4 Boot Option	13
2.5 Debug Interface.....	14
2.5.1 On-board USB Debugger.....	14
2.5.2 Cortex Debug Connector (10-pin).....	15
2.5.3 Cortex Debug+ETM Connector (20-pin)	16
2.6 Serial Flash Memory	18
2.7 USB	19
2.8 RTC	21
2.9 User LEDs and User Buttons	22
2.10 Potentiometer	22
2.11 Satellite Connectors	23
2.11.1 COM Connector	24
2.11.2 HMI Connector	25
2.11.3 ACT Satellite Connector.....	26
3 Differences to Board Version V2	27
4 Production Data.....	27
4.1 Schematics.....	27
4.2 Component Placement and Geometry.....	32
4.3 Bill of Material (BOM)	33

List of Figures

Figure 1	CPU_45A-V3 Board Block Diagram.....	8
Figure 2	CPU Board XMC4500 General Purpose (CPU_45A-V3).....	9
Figure 3	Powering option through USB interface (5 V).....	10
Figure 4	CPU_45A-V3 Board Power.....	11
Figure 5	Battery (VBAT Supply).....	11
Figure 6	Reset.....	12
Figure 7	Reset LED and Reset Switch.....	12
Figure 8	Clock Generation.....	13
Figure 9	Boot Options Switch.....	13
Figure 10	On-Board USB Debugger.....	14
Figure 11	Cortex Debug Connector (10-pin).....	15
Figure 12	Cortex Debug Connector (10-pin) Layout.....	15
Figure 13	Cortex Debug+ETM Connector (20-pin).....	16
Figure 14	Cortex Debug+ETM Connector (20-pin) Layout.....	17
Figure 15	Quad SPI Flash Interface Circuit.....	18
Figure 16	Quad SPI Flash.....	18
Figure 17	USB Connector Schematic.....	19
Figure 18	USB power generation - Host/OTG mode.....	19
Figure 19	Battery Holder for Coin Cell.....	21
Figure 20	RTC.....	21
Figure 21	GPIO LED.....	22
Figure 22	Satellite Connectors.....	23
Figure 23	Satellite Connector Type COM.....	24
Figure 24	Satellite Connector Type HMI.....	25
Figure 25	Satellite Connector Type ACT.....	26
Figure 26	Schematic of Satellite Connectors, USB-OTG.....	28
Figure 27	Schematic of XMC4500.....	29
Figure 28	Schematic of Power Supply, Debug Connectors, Reset Circuit.....	30
Figure 29	Schematic of On-board Debugger.....	31
Figure 30	Component Placement and Geometry.....	32

List of Tables

Table 1	Power status LED's	10
Table 2	Power Measurement	11
Table 3	Boot Options Settings	13
Table 4	Cortex Debug Connector (10 Pin)	15
Table 5	Cortex Debug+ETM Connector (20 Pin)	16
Table 6	Quad SPI Signals	18
Table 7	USB micro AB connector Pinout	19
Table 8	GPIO LED	22
Table 9	User Button	22
Table 10	Potentiometer	22
Table 11	Differences to older board versions	27
Table 12	BOM of CPU_45A-V3 Board	33

Introduction

This document describes the features and hardware details of the CPU Board XMC4500 General Purpose (CPU_45A-V3) designed to work with Infineon's XMC4500 Microcontroller. This board is part of Infineon's XMC4000 Application Kits.

1 Overview

The CPU board CPU_45A-V3 houses the XMC4500 Microcontroller and three satellite connectors (HMI, COM, ACT) for application expansion. The board along with satellite cards (e.g. HMI_OLED-V1, COM_ETH-V1, AUT_ISO-V1, MOT_GPDV-V boards) demonstrates the capabilities of XMC4500. The main use case for this board is to demonstrate the generic features of XMC4500 device including tool chain. The focus is safe operation under evaluation conditions. The board is neither cost nor size optimized and does not serve as a reference design.

1.1 Key Features

The CPU_45A-V3 board is equipped with the following features

- XMC4500 (ARM[®] Cortex™-M4-based) Microcontroller, 120 MHz CPU clock, 1 MByte on-chip Flash, 160 kByte RAM, LQFP-144,
- Connection to XMC4500 satellite cards via satellite connectors COM, HMI and ACT
- USB OTG Host/Device support via micro USB connector
- Debug options
 - On-board Debugger via Debug USB connector
 - Cortex Debug connector 10-pin (0.05")
 - Cortex Debug+ETM connector 20-pin (0.05")
- Reset push button
- 32 MBit quad SPI flash memory
- Boot option switch
- PowerScale Connector: Ready for MCU power consumption analysis
- 5 LED's
 - 3 Power indicating LED's
 - 1 User LEDs (P3.9)
 - 1 RESET LED
 - 1 Debug LED
- User Button connected to P2.15
- Potentiometer, connected to analog input P14.1
- Power supply
 - Via Micro-USB connector in USB device mode
 - Via satellite connector pins (COM/ACT satellites cards can supply power to CPU board)
 - Via Debug USB connector
 - RTC backup battery

1.2 Block Diagram

Figure 1 shows the functional block diagram of the CPU_45A-V3 board. For more information about the power supply please refer to chapter 2.1.

The CPU board has got the following building blocks:

- 3 Satellite Connectors (COM, HMI ACT)
- On-board Debugger via Debug USB connector (Micro-USB)
- User LED connected to P3.9
- User Button connected to P2.15
- Quad SPI flash memory (EE) connected to USIC1 Channel1 with Chip-Select1
- 2 Cortex Debug Connectors
- Variable resistor (POTI) connected to GPIO P14.1
- USB On-The-Go Connector (Micro-USB)

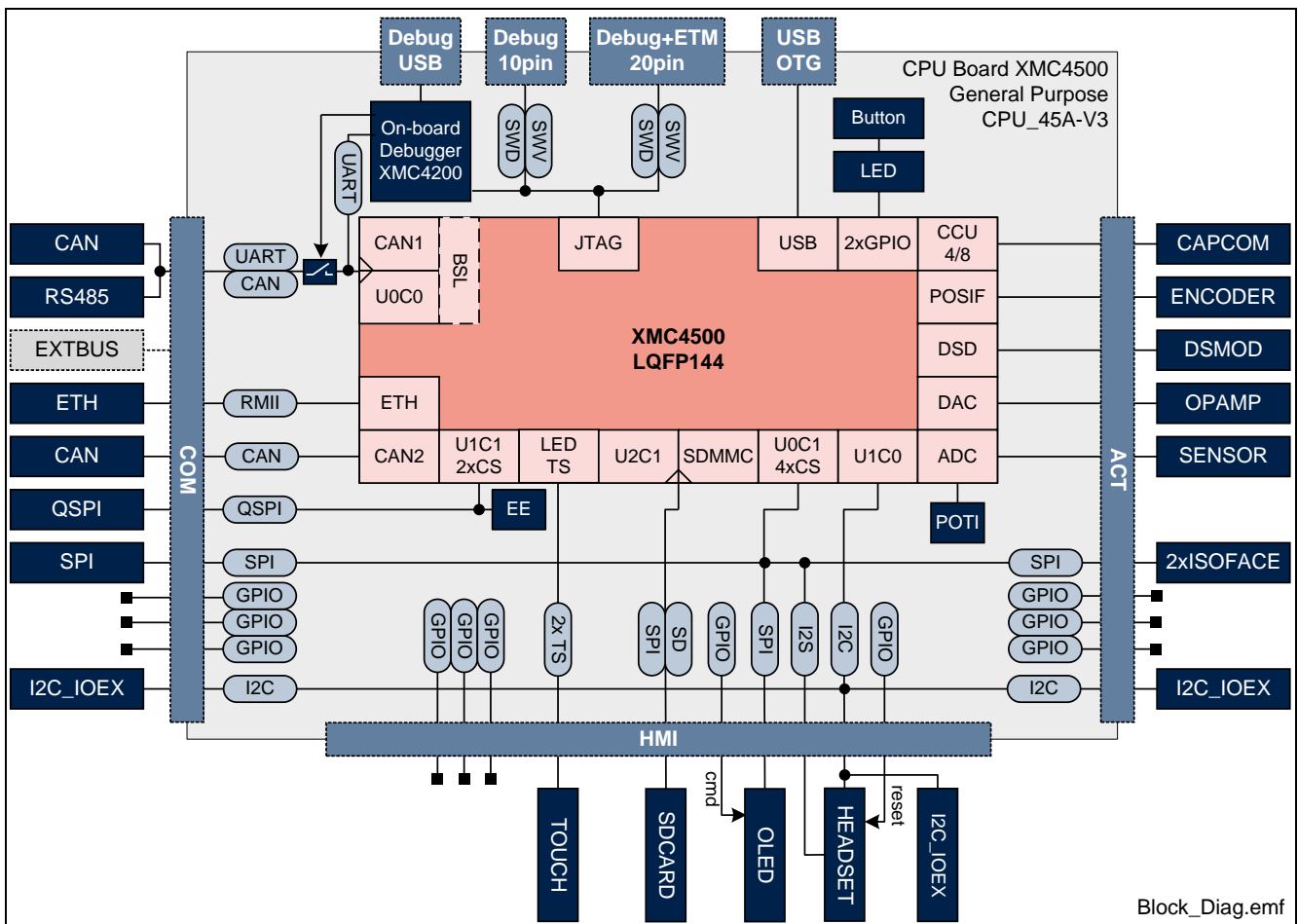


Figure 1 CPU_45A-V3 Board Block Diagram

2 Hardware Description

The following sections give a detailed description of the hardware and how it can be used.

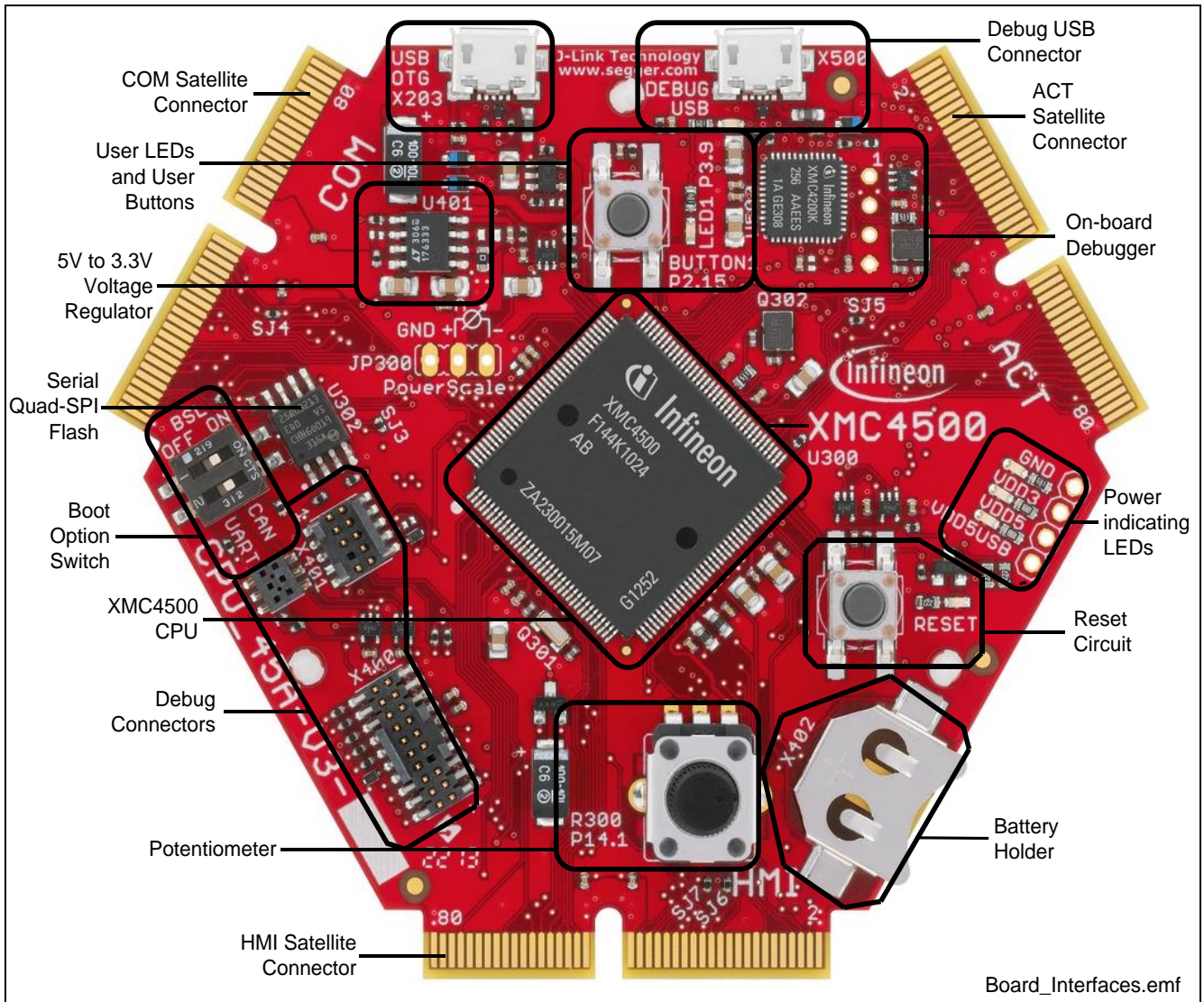


Figure 2 CPU Board XMC4500 General Purpose (CPU_45A-V3)

2.1 Power Supply

The CPU_45A-V3 board can be powered via the USB plug (5 V); however, there is a current limit that can be drawn from the host PC through USB. If the CPU_45A-V3 board is used to drive other satellite cards (e.g. AUT_ISO-V1 or MOT_GPDLV-V2) and the total current required exceeds 500 mA, then the board needs to be powered by either an external power supply connected to USB or by a satellite card, which supports external power supply like e.g. AUT_ISO-V1, MOT_GPDLV-V2, COM_ETH-V1.

For powering the board through USB interface, connect the USB cable provided with the kit to the Micro-USB connector on board.

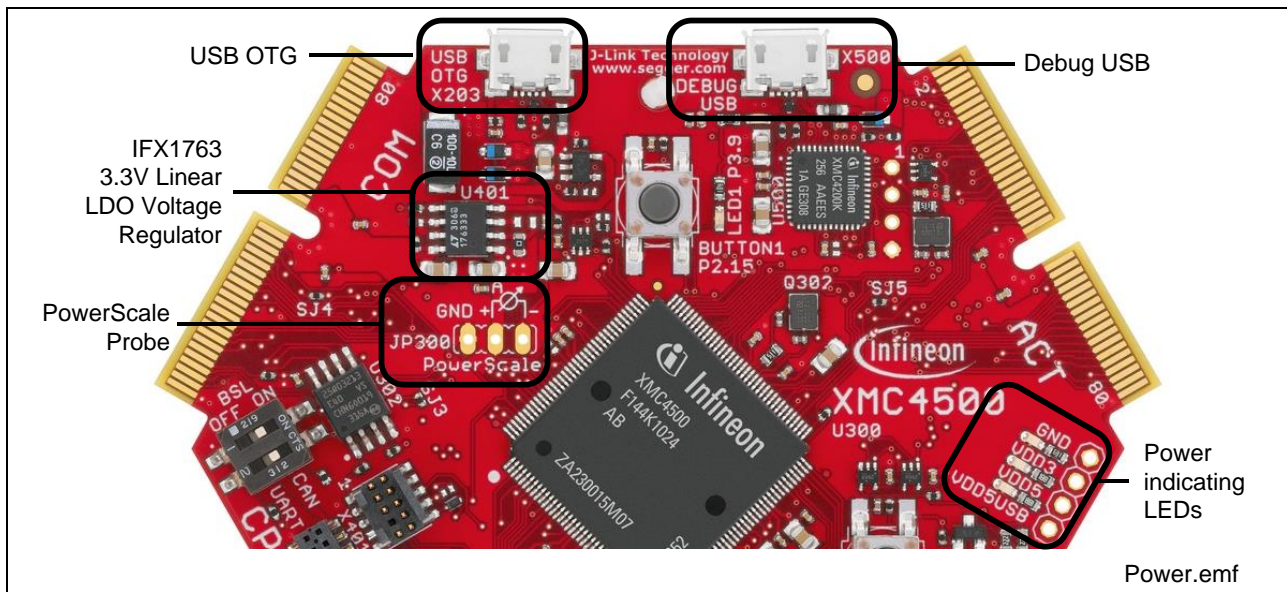


Figure 3 Powering option through USB interface (5 V)

To indicate the power status of CPU_45A-V3 board three LED's are provided on board (See Figure 3). The LED will be "ON" when the corresponding rail is powered.

Table 1 Power status LED's

LED Reference	Power Rail	Voltage	Note
V401	VDD5	5 V	Must always be "ON"
V402	VDD5USB	5 V	"ON" if powered by USB plug
V403	VDD3.3	3.3 V	Must always be "ON"

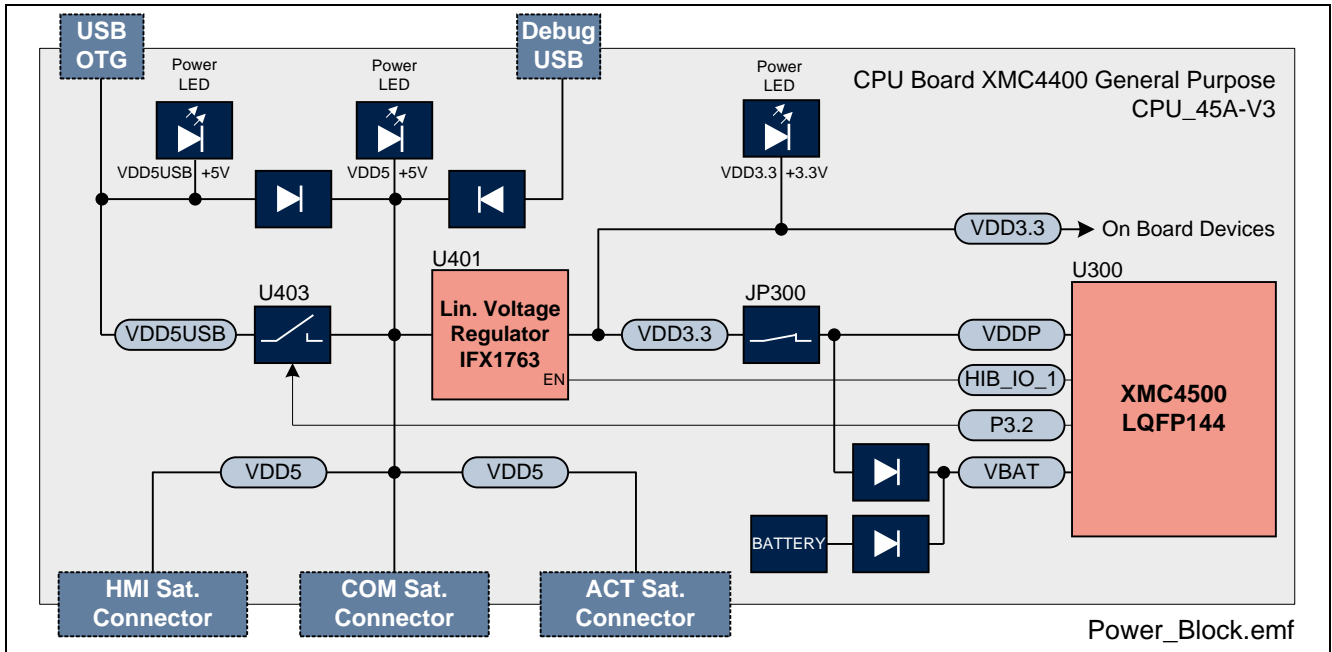


Figure 4 CPU_45A-V3 Board Power



Figure 5 Battery (VBAT Supply)

Hitex PowerScale probe is provided on the CPU_45A-V3 board to measure the power consumption.

Table 2 Power Measurement

Jumper	Function	Description
JP300	PowerScale	A Hitex PowerScale probe can be connected for current sensing the VDD3.3 (CPU power source). Default: pos. 1-2 (closed) <i>Note: On the PCB there is a shorting trace between pin 1-2. This trace has to be cut first, before using PowerScale. Pin 3 is GND.</i>

The maximum current drawn by the CPU board without any satellite cards connected is about 150 mA.

2.2 Reset

The reset pin (PORST#) of the XMC45000 is a bi-directional pin. An internal pull-up resistor will keep the PORST# pin high during normal operation. A low level at this pin will force a hardware reset. In case of an internal reset the PORST# pin will drive a low signal. An internal circuit of the XMC4500 ensures a save Power-on-Reset. XMC4500 does not require any additional external components to generate a reset signal during power-up. An on-board reset button (SW400, RESET) supports a hardware reset of the CPU during operation. The reset signal is also routed to all satellite connectors. The reset state is indicated by a red LED (V407). The LED will be “ON” during reset state and will be “OFF” during normal operation conditions.

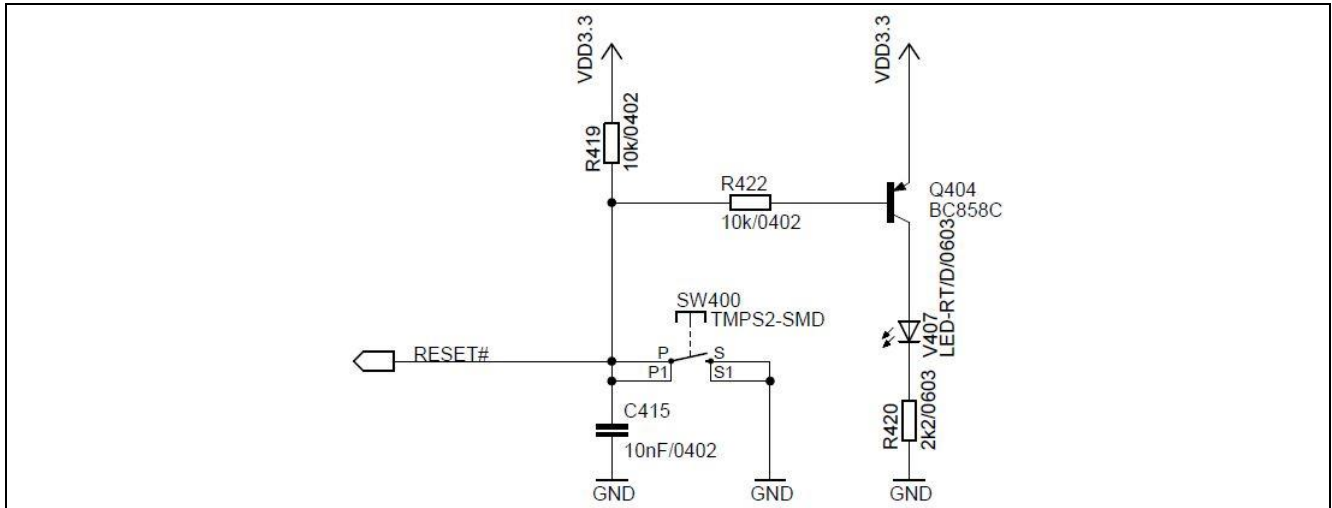


Figure 6 Reset

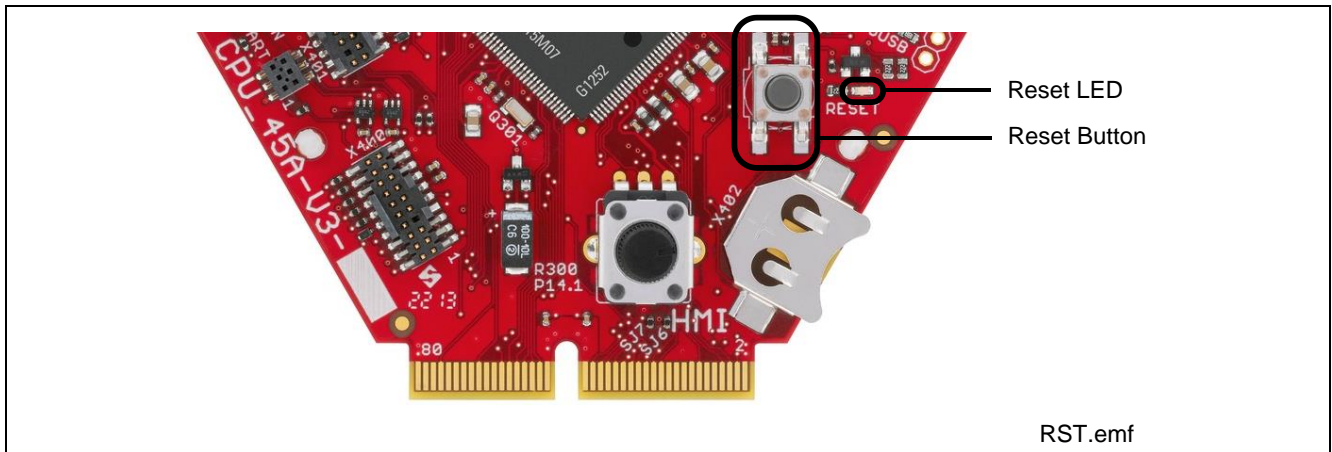


Figure 7 Reset LED and Reset Switch

2.3 Clock Generation

An external 12 MHz crystal provides the clock signal to the XMC4500 microcontroller. The drive strength of the oscillator is set to maximum by software, in order to ensure a safe start-up of the oscillator even under worst case conditions. A serial 510 Ohm resistor will attenuate the oscillations during operations.

For the RTC clock a separate external 32.768 kHz crystal is used on board.

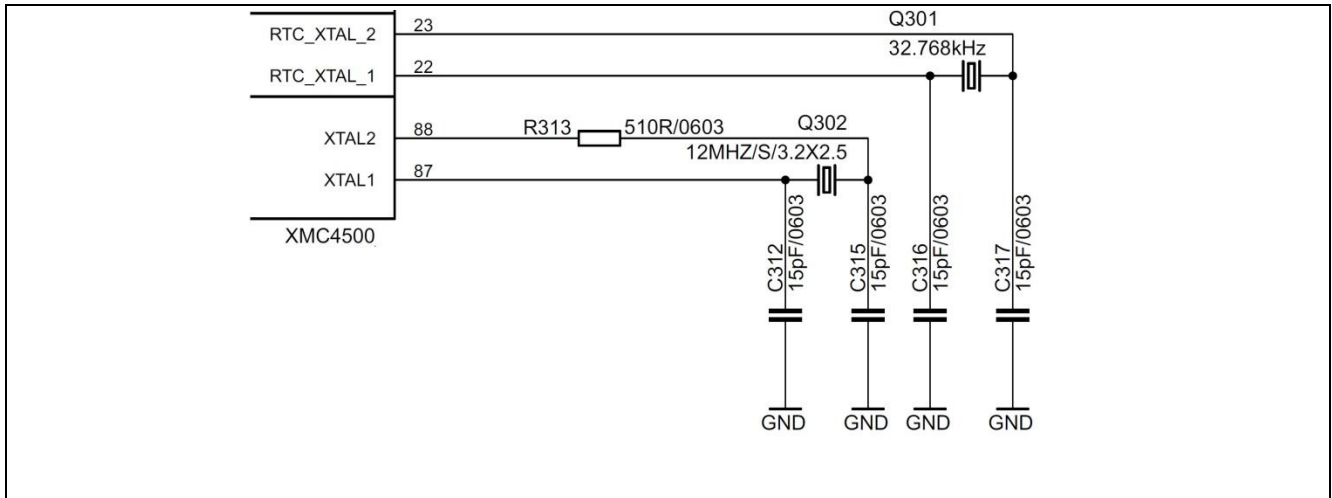


Figure 8 Clock Generation

2.4 Boot Option

During power-on-reset the XMC4500 latches the dip switch SW300 settings via the TCK and the TMS pin. Based on the values latched different boot options are possible.

Table 3 Boot Options Settings

BSL (TMS)	CAN/UART (TCK)	Boot Option
OFF (1)	UART (0)	Normal Mode (Boot from flash)
ON (0)	UART (0)	ASC BSL Enabled (Boot from UART)
OFF (1)	CAN (1)	BMI Customized Boot Enabled
ON (0)	CAN (1)	CAN BSL Enabled (Boot from CAN)

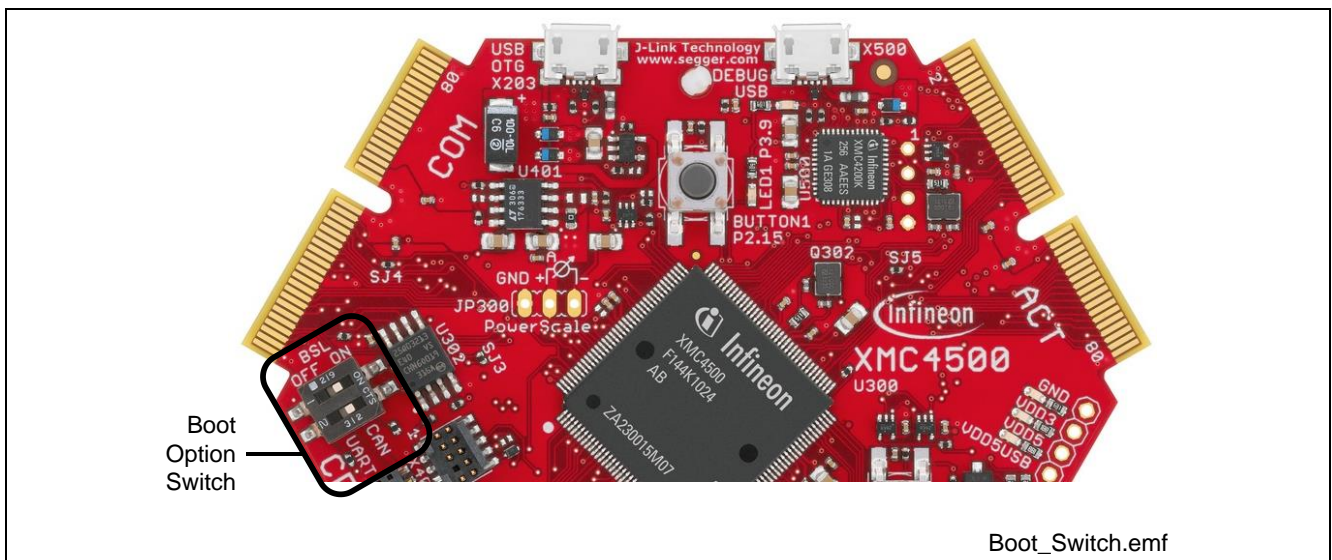


Figure 9 Boot Options Switch

2.5 Debug Interface

The CPU_45A-V3 board supports JTAG debug via 3 different connectors.

- On-board Debugger
- Cortex Debug Connector (10-pin)
- Cortex Debug+ETM Connector (20-pin)

The Hexagon Application Boards are designed to use “Serial Wire Debug” as debug interface. JTAG is not supported by default because the GPIO P0.7 (TDI), where the required TDI function is mapped to, is used by various Actuator boards connected to the ACT satellite connector.

Note: It is strongly recommended not to use JTAG debug mode, especially if satellites boards are connected, which uses the GPIO 0.7. For the same reason also do not use the on-board debugger in JTAG mode.

If you want to use the JTAG debug mode through the cortex debug connectors (X400, X401) anyway, enable the JTAG interface of the XMC device by assembling the pull-up resistor R427 (4k7 Ohm) and the resistor R410 (0 - 33 Ohm).

2.5.1 On-board USB Debugger

The on-board debugger supports

- Serial Wire Debug
- Serial Wire Viewer
- Full Duplex UART communication via a USB Virtual COM

The on-board debugger can be accessed through the Debug USB connector shown in Figure 10. The Debug LED V502 shows the status during debugging.

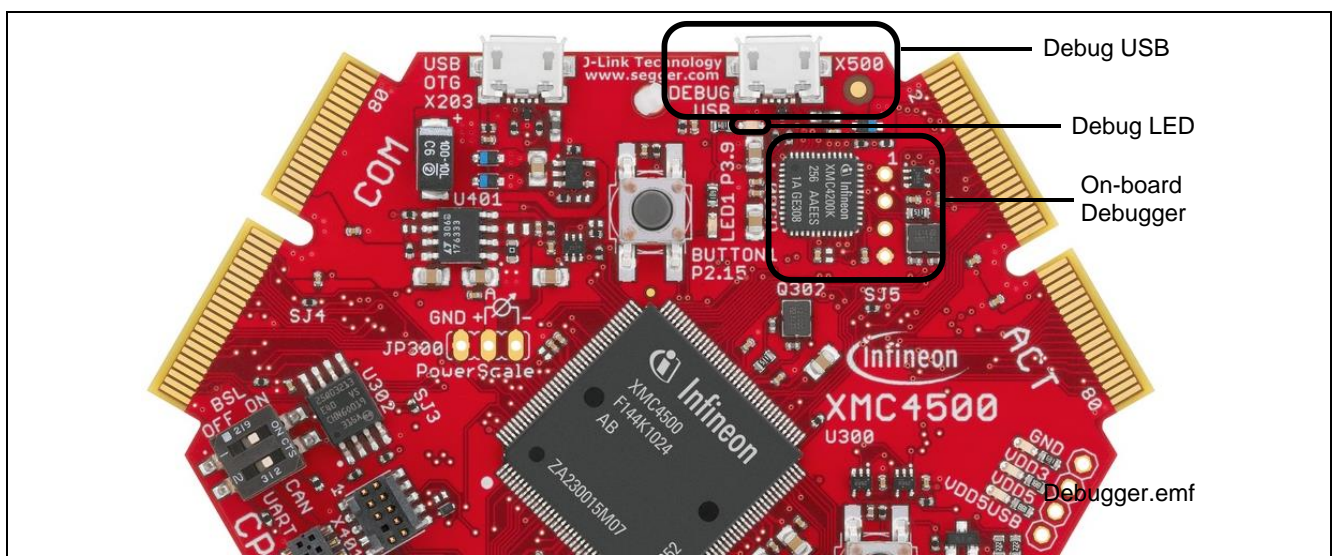


Figure 10 On-Board USB Debugger

When using an external debugger connected to the 10-pin/20-pin Cortex Debug Connector, the on-board debugger is switched off.

When using the USB virtual COM port function of the on-board debugger the UART interface to the COM satellite is disabled through the switches U301 and U303.

2.5.2 Cortex Debug Connector (10-pin)

The CPU_45A-V3 board supports Serial Wire debug operation and Serial Wire viewer operation (via the SWO signal when Serial Wire debug mode is used) through the 10-pin Cortex Debug Connector.

When using an external debugger connected to the 10-pin Cortex Debug Connector, the on-board debugger is switched off.

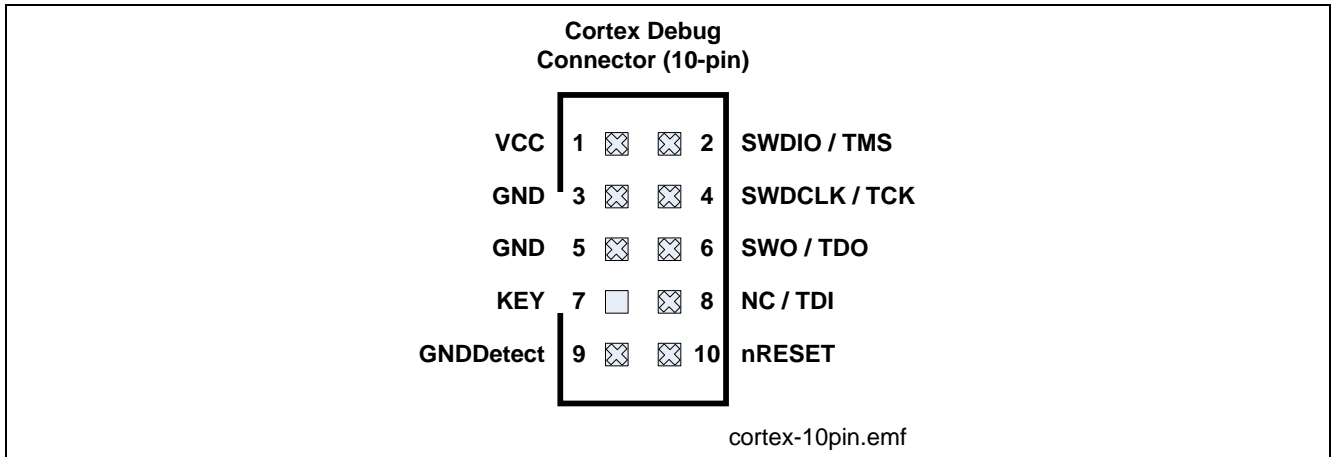


Figure 11 Cortex Debug Connector (10-pin)

Table 4 Cortex Debug Connector (10 Pin)

Pin No.	Signal Name	Serial Wire Debug	JTAG Debug
1	VCC	+3.3 V	+3.3 V
2	SWDIO / TMS	Serial Wire Data I/O	Test Mode Select
3	GND	Ground	Ground
4	SWDCLK / TCK	Serial Wire Clock	Test Clock
5	GND	Ground	Ground
6	SWO / TDO	Trace Data OUT	Test Data OUT
7	KEY	KEY	KEY
8	NC / TDI	Not connected	Test Data IN
9	GNDDetect	Ground Detect	Ground Detect
10	nRESET	Reset (Active Low)	Reset (Active Low)

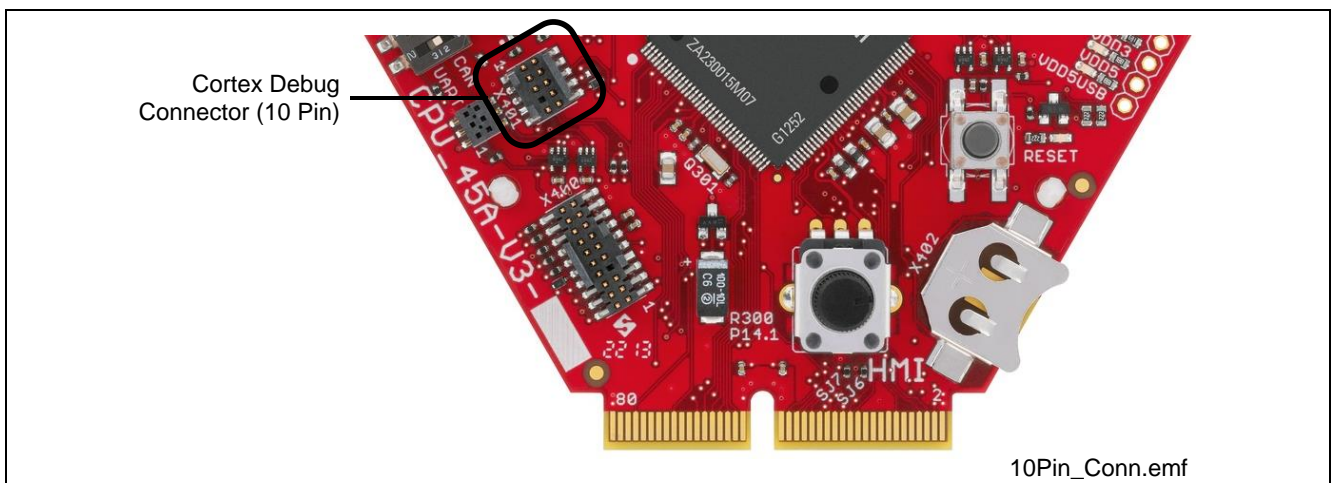


Figure 12 Cortex Debug Connector (10-pin) Layout

2.5.3 Cortex Debug+ETM Connector (20-pin)

The CPU_45A-V3 board supports Serial Wire debug operation, Serial Wire viewer operation (via SWO connection when Serial Wire debug mode is used) and Instruction Trace operation through the 20-pin Cortex Debug+ETM Connector.

JTAG operation additionally would require the TDI (P0.7) signal. By default the TDI signal is disconnected from the Cortex Debug Connectors by a not assembled resistor R410, because the pin P0.7 is used by the Actuator boards connected to the ACT satellite connector.

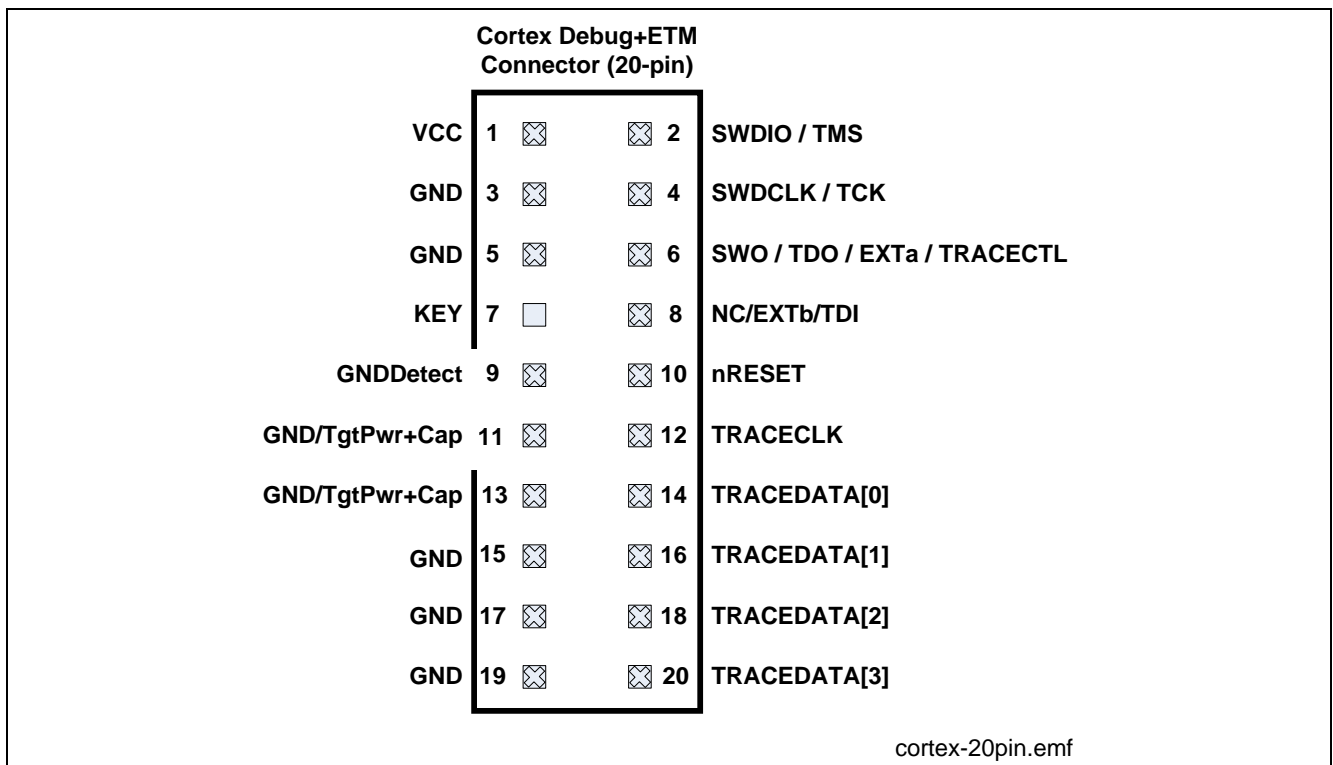


Figure 13 Cortex Debug+ETM Connector (20-pin)

Table 5 Cortex Debug+ETM Connector (20 Pin)

Pin No.	Signal Name	Serial Wire Debug	JTAG Debug
1	VCC	+3.3 V	+3.3 V
2	SWDIO / TMS	Serial Wire Data I/O	Test Mode Select
3	GND	Ground	Ground
4	SWDCLK / TCK	Serial Wire Clock	Test Clock
5	GND	Ground	Ground
6	SWO / TDO	Trace Data OUT	Test Data OUT
7	KEY	KEY	KEY
8	NC / TDI	Not connected	Test Data IN
9	GNDDetect	Ground Detect	Ground Detect
10	nRESET	Reset (Active Low)	Reset (Active Low)
11	GND/TgtPwr+Cap	Ground	Ground
12	TRACECLK	Trace Clock	Trace Clock
13	GND/TgtPwr+Cap	Ground	Ground
14	TRACEDATA[0]	Trace Data 0	Trace Data 0
15	GND	Ground	Ground

Table 5 Cortex Debug+ETM Connector (20 Pin)

Pin No.	Signal Name	Serial Wire Debug	JTAG Debug
16	TRACEDATA[1]	Trace Data 1	Trace Data 1
17	GND	Ground	Ground
18	TRACEDATA[2]	Trace Data 2	Trace Data 2
19	GND	Ground	Ground
20	TRACEDATA[3]	Trace Data 3	Trace Data 3



Figure 14 Cortex Debug+ETM Connector (20-pin) Layout

2.6 Serial Flash Memory

The CPU_45A-V3 board provides a 32 Mbit serial flash memory from Micron (type: N25Q03) interfaced to XMC4500 through a SPI interface. The SPI interface can be configured as single, dual or quad SPI.

Table 6 Quad SPI Signals

Pin No.	Pin Description	Signal Name	Signal Description
P0.13	U1C1_SCLKOUT	CLK	Clock
P3.3	U1C1_SELO1	CS#	Active Low Chip Select
P3.15	U1C1_DOUT0	DI (IO0)	Data Input/Output of Flash (MSTR/MOSI)
P3.14	U1C1_DX0B	DO (IO1)	Data Input/Output of Flash (MRST/MISO)
P0.14	U1C1_HOUT3/DWIN3	HOLD# (IO3)	Data Input/Output
P0.15	U1C1_HOUT2/DWIN2	WP# (IO2)	Data Input/Output

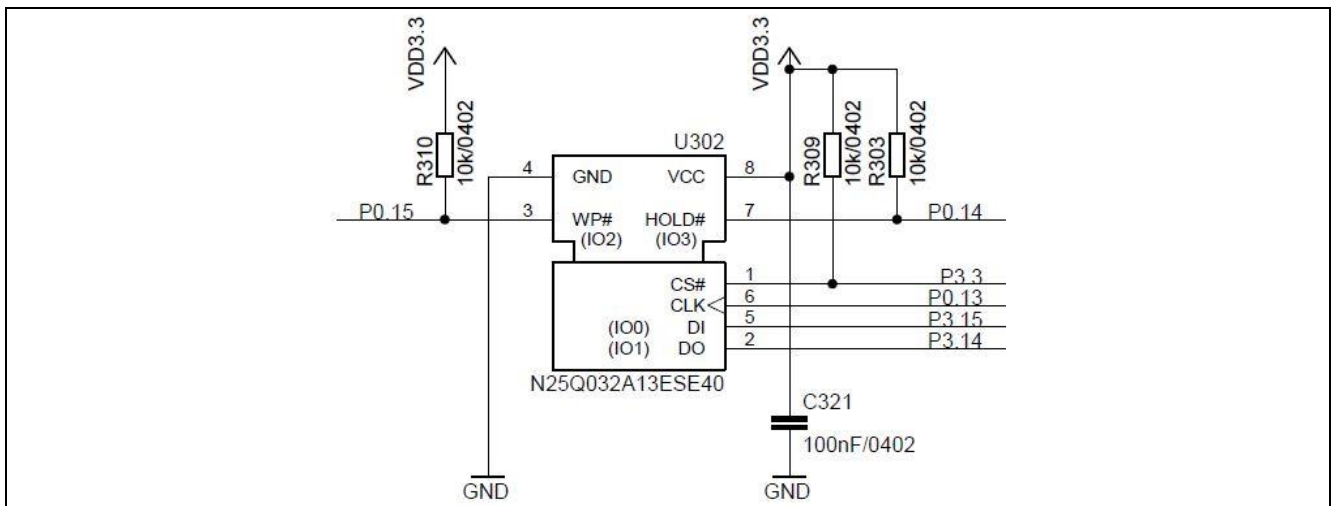


Figure 15 Quad SPI Flash Interface Circuit

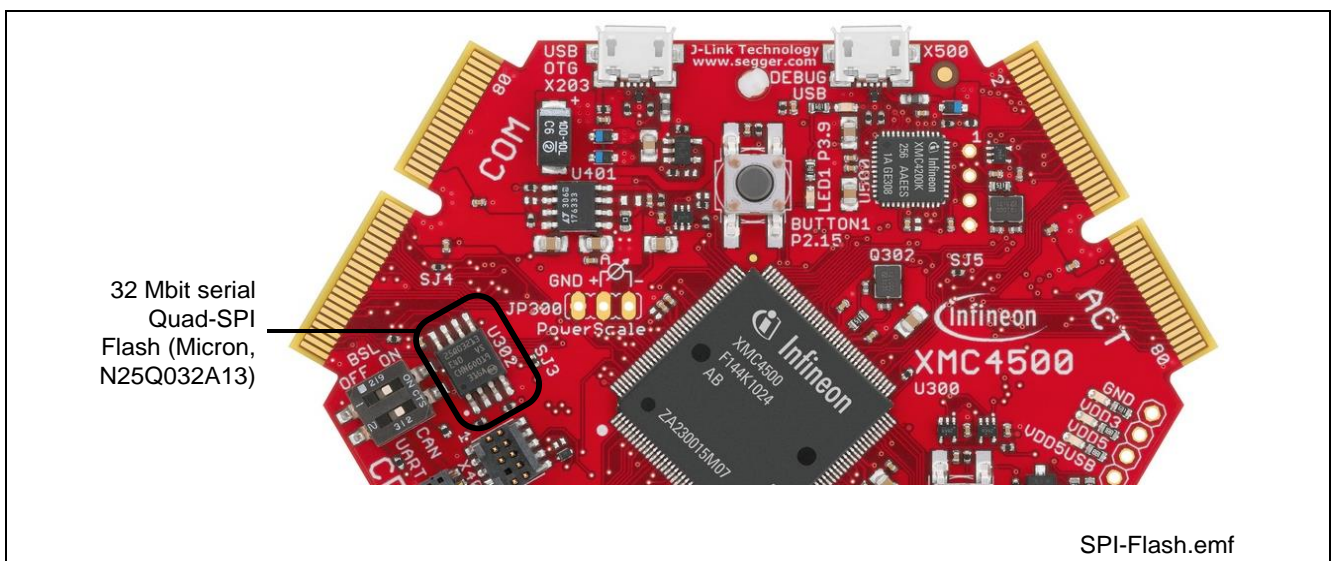


Figure 16 Quad SPI Flash

2.7 USB

The XMC4500 supports USB interface in host only mode, device only mode or as an OTG Dual Role Device (DRD). In USB device mode, power is expected through VBUS (pin 1) from an external host (e.g. PC). When the current is more than 500 mA power from an external source through satellite cards shall be used.

Note: Some PCs, notebooks or hubs have a weak USB supply which is not sufficient for proper supply. In this case use an external 5 Volt power supply or a powered USB hub.

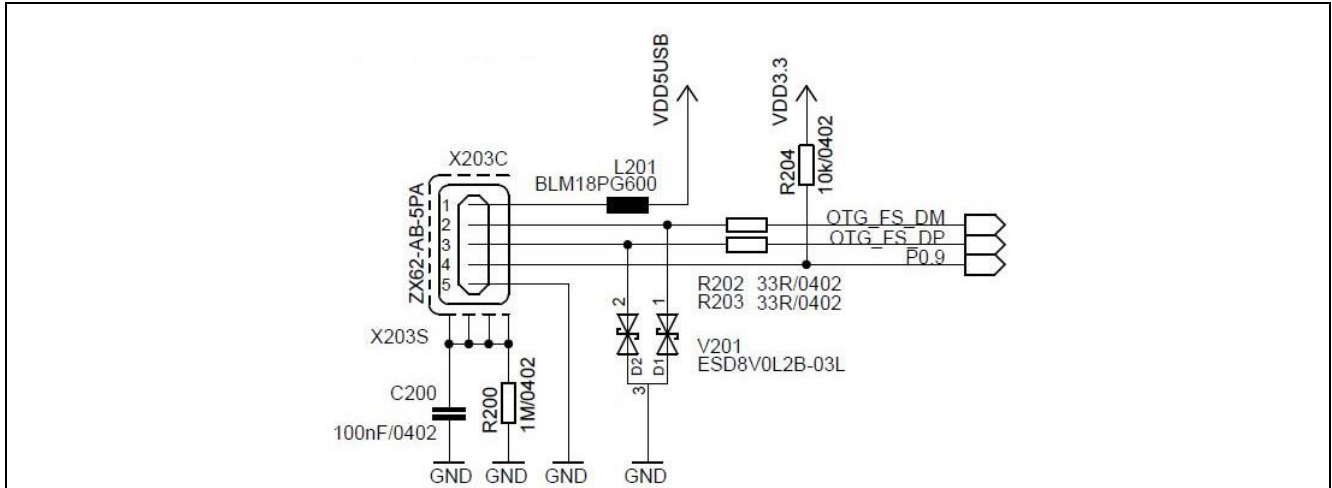


Figure 17 USB Connector Schematic

Port P0.9 of XMC4500 is connected to the USB ID pin (pin 4). An OTG device will detect whether a USB 3.0 Micro-A or Micro-B plug is inserted by checking the ID pin. When the ID = FALSE, Micro-A connector is plugged and when ID = TRUE a Micro-B connector is plugged in. When ID is true the XMC4500 acts as USB host else as USB device.

Table 7 USB micro AB connector Pinout

Pin No.	Pin Name	Pin Description
1	VBUS	5 V
2	D-	Data Minus
3	D+	Data Plus
4	ID	Identification
5	GND	Ground

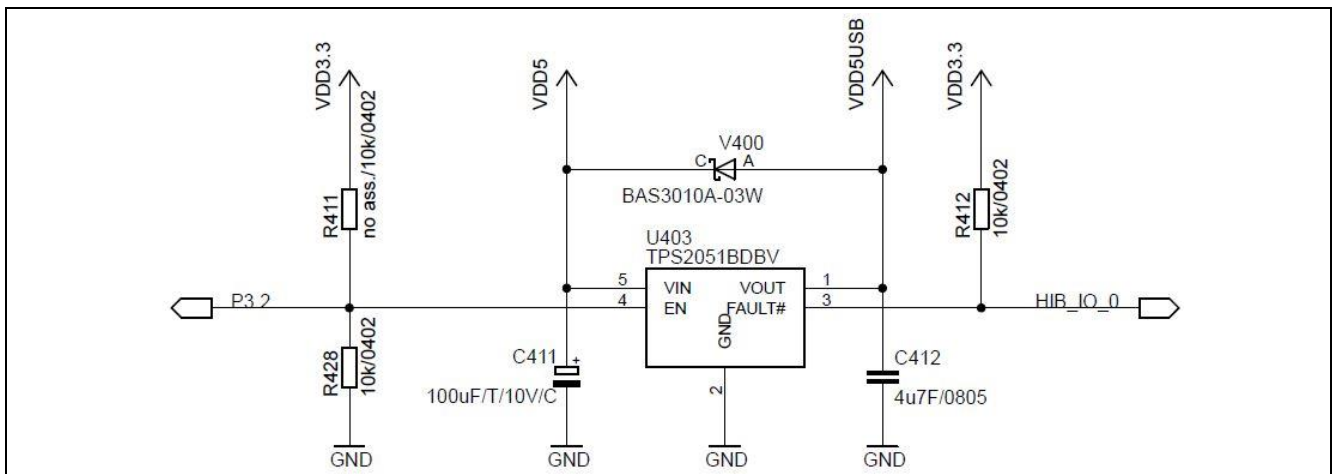


Figure 18 USB power generation - Host/OTG mode

Hardware Description

In the host only mode and OTG mode the CPU_45A-V3 board is capable of supplying power to the connected device (e.g. USB mouse). The board has a power-switch which is controlled by the XMC4500. Port P3.2 (active high) is used for this purpose. In the Host/OTG mode a low active FAULT signal indicates to XMC4500 via HIB_IO_0 signal, if more than 500 mA current is drawn by the external device. HIB_IO_0 signal is used as general purpose input pin for this implementation.

Diode V400 will allow powering the board through USB in all USB modes via e.g. a PC.

2.8 RTC

The XMC4400 CPU has two power domains, the Core Domain and Hibernate Domain. The Core Domain (VDDP pins) is connected to the VDD3.3 rail. An on-board LDO voltage regulator generates VDD3.3 (3.3 V) from VDD5 (5 V).

The Hibernate Domain is powered via the auxiliary supply pin VBAT, which is supplied by either a 3 V coin cell (size 1216, 1220, 1225) plugged into the battery holder (see Figure 19) or 3.3 V (VDD3.3) generated by the on-board voltage regulator.



Figure 19 Battery Holder for Coin Cell

The Real Time Clock (RTC) is located in the hibernate domain. The XMC4500 uses the HIB_IO_1 signal (active low) to shut down the external LDO voltage regulator which generates the VDD3.3 (Core Domain). Even if the Core Domain is not powered the Hibernate Domain will operate if VBAT is available. The RTC keeps running as long as the Hibernate Domain is powered via the auxiliary supply VBAT. The RTC is capable to wake-up the whole system from Hibernate mode by setting HIB_IO_1 to high.

With VDD3.3 power supply switched off and no coin cell supply the power in the capacitor connected to VBAT will provide power to the hibernate domain for about 10 seconds (depending on which features in the hibernate domain are enabled).

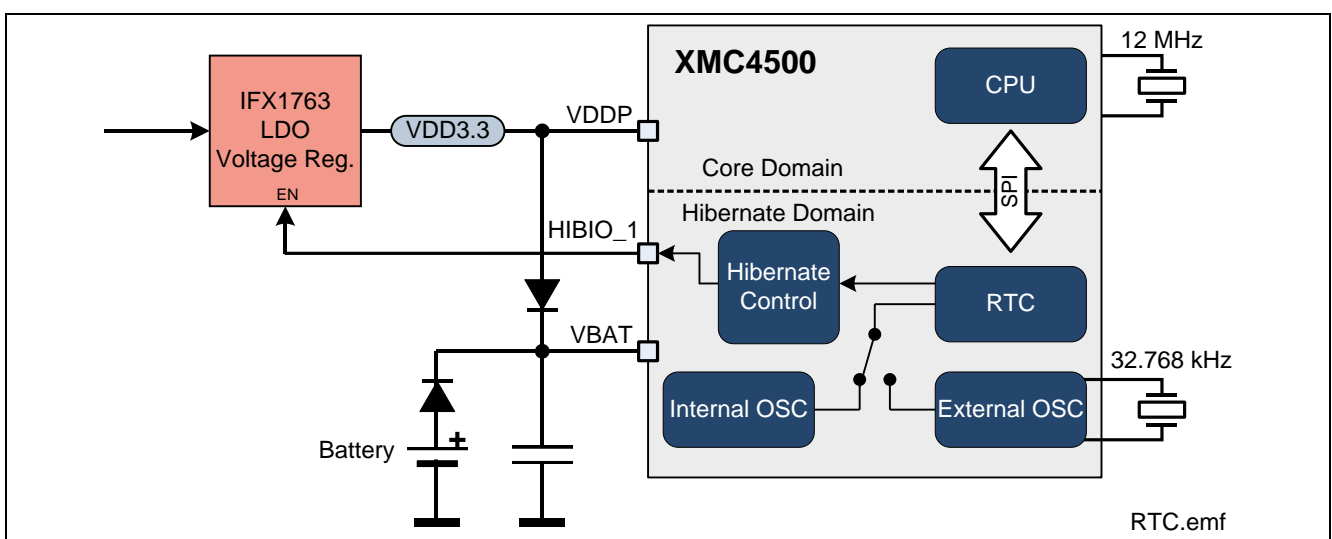


Figure 20 RTC

2.9 User LEDs and User Buttons

The port pin P3.9 of XMC4500 is connected to a LED V300. More user LED's are available through I2C GPIO expander on most of the satellite cards.

Table 8 GPIO LED

LED	Connected to Port Pin
V300	GPIO P3.9

The User Button is connected to port pin P2.15 of the XMC4500.

Table 9 User Button

Button	Connected to Port Pin
BUTTON1	P2.15

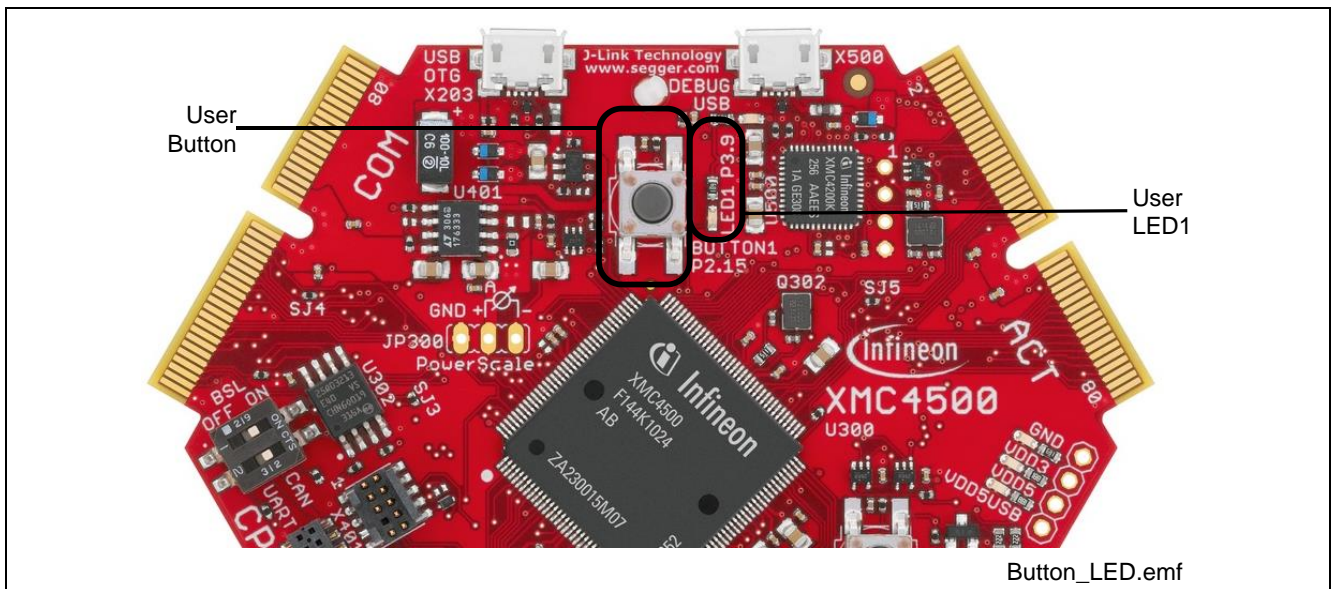


Figure 21 GPIO LED

2.10 Potentiometer

The CPU_45A-V3 board provides a potentiometer POT1 for ease of use and testing of the on-chip analog to digital converter. The potentiometer is connected to the analog input G0_CH1 (P14.1). The analog output of the potentiometer ranges from 0 V to 3.3 V.

Table 10 Potentiometer

R300	P14.1 / G0_CH1 (Group 0, Channel 1)
------	-------------------------------------

2.11.1 COM Connector

The COM satellite connector on the CPU_45A-V3 board allows interface expansion through COM satellite cards (e.g. COM_ETH-V1)

CPU_45A-V3		Satellite Connector		CPU_45A-V3	
XMC Pin	XMC Function	Pin	Function	XMC Pin	XMC Function
VSS	GND	COM	GND	VSS	VSS
P0.13	U1C1_SCLKOUT	2	GND	P3.15	P3.15
P0.12	U1C1_SELO0	3	qSPI_D0	P3.14	P3.14
P3.3	U1C1_SELO1	4	qSPI_D1	P0.15	P0.15
nc	nc	5	qSPI_D2	P0.14	P0.14
nc	nc	6	qSPI_D3	nc	nc
P2.3	ETH0_RXD1A	7	RSVD	nc	nc
P2.2	ETH0_RXD0A	8	RSVD	nc	nc
P2.0	ETH0_MDO	9	RSVD	nc	nc
P2.7	ETH0_MDC	10	RSVD	nc	nc
P5.9	ETH0_TX_EN	11	RSVD	nc	nc
nc	nc	12	RSVD	nc	nc
P3.10	P3.10	13	ETH_RMII	nc	nc
P1.4 (β)	U0C0_DX0B	14	ETH_RMII	nc	nc
P1.5 (β)	U0C0_DOUT0	15	ETH_RMII	nc	nc
P5.5	P5.5	16	ETH_RMII	nc	nc
P3.1	U0C1_SELO0	17	ETH_RMII	nc	nc
nc	nc	18	ETH_RMII	nc	nc
P2.14	U1C0_DOUT0/DX0B	19	ETH_RMII	nc	nc
P14.13	P14.13	20	ETH_RMII	nc	nc
P3.7	P3.7	21	ETH_RMII	nc	nc
nc	nc	22	ETH_RMII	nc	nc
nc	nc	23	ETH_RMII	nc	nc
nc	nc	24	GND	nc	nc
nc	nc	25	GND	nc	nc
nc	nc	26	RSVD	nc	nc
nc	nc	27	CAN_TXD	nc	nc
nc	nc	28	CAN_TXD	nc	nc
nc	nc	29	CAN_RXD	nc	nc
nc	nc	30	CAN_RXD	nc	nc
nc	nc	31	SPI_MTSR	nc	nc
nc	nc	32	SPI_MRST	nc	nc
nc	nc	33	SPI_SCLK	nc	nc
nc	nc	34	SPI_SCLK	nc	nc
nc	nc	35	SPI_SCLK	nc	nc
nc	nc	36	I2C_SDA	nc	nc
nc	nc	37	I2C_SCL	nc	nc
nc	nc	38	I2C_SCL	nc	nc
nc	nc	39	GPIO	nc	nc
nc	nc	40	GPIO	nc	nc
nc	nc	41	RESET	nc	nc
nc	nc	42	RESET	nc	nc
nc	nc	43	VDD5	nc	nc
nc	nc	44	VDD5	nc	nc
nc	nc	COM	VDD5	nc	nc
nc	nc	45	VDD5	nc	nc
nc	nc	46	EBU_ADV	nc	nc
nc	nc	47	EBU_AD	nc	nc
nc	nc	48	EBU_AD	nc	nc
nc	nc	49	EBU_AD	nc	nc
nc	nc	50	EBU_AD	nc	nc
nc	nc	51	EBU_RD	nc	nc
nc	nc	52	EBU_AD	nc	nc
nc	nc	53	EBU_AD	nc	nc
nc	nc	54	EBU_AD	nc	nc
nc	nc	55	EBU_AD	nc	nc
nc	nc	56	EBU_AD	nc	nc
nc	nc	57	EBU_AD	nc	nc
nc	nc	58	EBU_AD	nc	nc
nc	nc	59	EBU_AD	nc	nc
nc	nc	60	EBU_AD	nc	nc
nc	nc	61	EBU_AD	nc	nc
nc	nc	62	EBU_AD	nc	nc
nc	nc	63	EBU_AD	nc	nc
nc	nc	64	EBU_AD	nc	nc
nc	nc	65	EBU_AD	nc	nc
nc	nc	66	EBU_AD	nc	nc
nc	nc	67	EBU_AD	nc	nc
nc	nc	68	EBU_AD	nc	nc
nc	nc	69	EBU_AD	nc	nc
nc	nc	70	EBU_AD	nc	nc
nc	nc	71	EBU_AD	nc	nc
nc	nc	72	EBU_AD	nc	nc
nc	nc	73	EBU_AD	nc	nc
nc	nc	74	EBU_AD	nc	nc
nc	nc	75	EBU_AD	nc	nc
nc	nc	76	EBU_AD	nc	nc
nc	nc	77	EBU_AD	nc	nc
nc	nc	78	EBU_AD	nc	nc
nc	nc	79	EBU_AD	nc	nc
VSS	GND	COM	GND	VSS	VSS

Figure 23 Satellite Connector Type COM

(3) This pin is connected with the satellite connector via an analog switch

2.11.2 HMI Connector

The HMI satellite connector on the CPU_45A-V3 board allows interface expansion through HMI satellite cards.

CPU_45A-V3		Satellite Connector		CPU_45A-V3	
XMC Pin	XMC Function	Function	Pin	Function	XMC Pin
VSS	GND	GND	1	GND	VSS
P3.6	MMC_CLK_OUT	MMC_CLK	2	MMC_nRST	P0.11
P1.6	MMC_DATA1_OUT	MMC_DATA1	4	MMC_DATA0	P4.0
P4.1	MMC_DATA3_OUT	MMC_DATA3	8	MMC_DATA2	P1.7
nc	nc	MMC_DATA5	10	MMC_DATA4	nc
nc	nc	MMC_DATA7	12	MMC_DATA6	nc
VSS	GND	MMC_BUSPOW	13	MMC_CMD	P3.5
nc	nc	MMC_nSDCD	15	MMC_LED	VSS
nc	nc	RSVD	17	MMC_SDMC	nc
nc	nc	RSVD	19	RSVD	nc
nc	nc	RSVD	21	RSVD	nc
P2.10	P2.10	AudioRST	23	OLED_CMD	P5.11
P3.1	U0CI_SELO0	I2S_WA	25	I2S_MTSR	U0CI_DOUT0
nc	nc	I2S_MCLK	27	I2S_MRST	U0CI_DX0B
nc	nc	I2S_SYNCCLK	29	I2S_SCLK	U0CI_SCLKOUT
P3.12	U0CI_SELO1	SPI_CSH0	31	SPI_MTSR	U0CI_DOUT0
P3.1	U0CI_SELO0	SPI_CSH1	33	SPI_MRST	U0CI_DX0B
P3.8	U0CI_SELO3	SPI_CSH2	35	SPI_SCLK	U0CI_SCLKOUT
P2.14	U1C0_DX0D/DOUT0	I2C_SDA	37	I2C_SCL	U1C0_SCLKOUT
P15.5	P15.5 Input	HMI_GPIO1	39	GPIO	P0.6
P5.6	P5.6	HMI_GPIO0	41	RESET	PORST
		VDD5	43	VDD5	
		VDD5	45	VDD5	
VAGND	AGND	AGND	46	VDD5	VAREF
P14.9	VADC_G1CH1	DAC1/ADC1	47	AREF	VAREF
P14.6	VADC_G0CH6	ADC3/ORC0	49	DAC0/ADC0	VADC_G1CH0
P14.12	VADC_G1CH4	ADC15	51	ADC2/DACREF	VADC_G0CH4
P15.13	VADC_G3CH5	ADC17	53	ADC14	VADC_G0CH4
P15.12	VADC_G3CH4	ADC19	55	ADC16	VADC_G0CH3
nc	nc	RSVD	57	ADC18	VADC_G2CH2
nc	nc	RSVD	59	RSVD	nc
nc	nc	RSVD	61	RSVD	nc
nc	nc	RSVD	63	RSVD	nc
nc	nc	TPx1	65	TP7	LEDTS0_TSIN7A
nc	nc	TPx0	67	TP6	nc
nc	nc	COL3	69	TP5	nc
nc	nc	COL2	71	TP4	nc
nc	nc	COL1	73	TP3	nc
P0.10	LEDTS0_COL1	COL0	75	TP2	nc
P5.7	LEDTS0_COLA	COLA	77	TP1	nc
VSS	GND	GND	79	TP0	nc
		GND	80	GND	VSS

Figure 24 Satellite Connector Type HMI

2.11.3 ACT Satellite Connector

The ACT satellite connector on the CPU_45A-V3 board allows interface expansion through ACT satellite cards.

CPU_45A-V3		XMC Function		XMC Pin	
Satellite Connector		Function	Pin	Function	
CPU_45A-V3		Function	Pin	XMC Function	
XMC Pin		ACT		XMC Pin	
VSS	GND	GND	1	GND	VSS
nc	nc	PIF1INO	2	PIF0IN1	P1.3
nc	nc	PIF1INI1	3	PIF0IN2	P1.2
nc	nc	PIF1IN2	4	PIF0IN3	P1.1
P1.0	DSD_PWMN	PWMN	5	DSDINO	P0.8 (2)
P5.1	DSD_PWMP	PWMP	6	DSDINI1	P2.6
P1.7	DSD_MCLK2A	DSDCLK0	7	DSDIN2	P1.6
P3.4	DSD_MCLK3B	DSDCLK1	8	DSDIN3	P6.5 (3)
nc	nc	RSVD	9	RSVD	nc
P4.3	CCU43_IN3A	CC_IN3	10	CC_IN0	P4.6
P5.2	CCU81_IN1B	CC_IN4	11	CC_IN1	P4.5
P5.4	CCU81_IN3B	CC_IN5	12	CC_IN2	P4.4
P0.7 (1)	CCU80_IN0A	TRAP_A	13	ENA_A	P2.13
P5.0	CCU81_IN0A/1A/2A/3A	TRAP_B	14	ENA_B	P2.12
P4.7	CCU43_IN0C	TRAP_X	15	ENA_X	P6.4
P3.11	U0C1_SELO2	SPL_CSA0	16	SPL_MTRST	P3.13
P3.8	U0C1_SELO3	SPL_CSA1	17	SPL_MTRST	P2.5
nc	nc	SPL_CSA2	18	SPL_SCLK	P3.0
P2.14	U1CO_DX0D/DOU0	I2C_SDA	19	I2C_SCL	P5.8
P15.4	P15.4 Input	ACT_GPI01	20	GPI0	P0.6
P4.2	P4.2	ACT_GPI00	21	RESET	PORST
		VDD5	22	VDD5	
		VDD5	23	VDD5	
VAGND	AGND	VDD5	24	VDD5	
P14.9	VADC_G1CH1	AGND	25	AREF	VAREF
P14.6	VADC_G0CH6	DAC1/ADC1	26	DAC0/ADCO	P14.8
P14.7	VADC_G0CH7	ADC3/ORCO	27	ADC2/DACREF	P14.4
P14.0	VADC_G0CH0	ADC5/ORC2	28	ADC4/ORC1	P14.4
P14.5	VADC_G2CH1	ADC7	29	ADC6/ORC3	P14.15
P15.14	VADC_G3CH6	ADC9	30	ADC8	P14.2
P15.15	VADC_G3CH7	ADC11	31	ADC10	P15.6
P1.15	CCU81_OUT00	PWMB0_H	32	ADCI2	P15.7
P1.12	CCU81_OUT01	PWMB0_L	33	PWMMA0_H	P0.5
P1.14	CCU81_OUT10	PWMB1_H	34	PWMMA0_L	P0.2
P1.11	CCU81_OUT11	PWMB1_L	35	PWMMA1_H	P0.4
P1.13	CCU81_OUT20	PWMB2_H	36	PWMMA1_L	P0.1
P1.10	CCU81_OUT21	PWMB2_L	37	PWMMA2_H	P0.3
P6.0 (3)	CCU81_OUT31	PWMX2	38	PWMMA2_L	P0.0
P6.1 (3)	CCU81_OUT30	PWMX3	39	PWMX0	P6.3
VSS	GND	GND	40	GND	VSS
		VDD5	41	VDD5	
		VDD5	42	VDD5	
		VDD5	43	VDD5	
		VDD5	44	VDD5	
		VDD5	45	VDD5	
		VDD5	46	VDD5	
		VDD5	47	VDD5	
		VDD5	48	VDD5	
		VDD5	49	VDD5	
		VDD5	50	VDD5	
		VDD5	51	VDD5	
		VDD5	52	VDD5	
		VDD5	53	VDD5	
		VDD5	54	VDD5	
		VDD5	55	VDD5	
		VDD5	56	VDD5	
		VDD5	57	VDD5	
		VDD5	58	VDD5	
		VDD5	59	VDD5	
		VDD5	60	VDD5	
		VDD5	61	VDD5	
		VDD5	62	VDD5	
		VDD5	63	VDD5	
		VDD5	64	VDD5	
		VDD5	65	VDD5	
		VDD5	66	VDD5	
		VDD5	67	VDD5	
		VDD5	68	VDD5	
		VDD5	69	VDD5	
		VDD5	70	VDD5	
		VDD5	71	VDD5	
		VDD5	72	VDD5	
		VDD5	73	VDD5	
		VDD5	74	VDD5	
		VDD5	75	VDD5	
		VDD5	76	VDD5	
		VDD5	77	VDD5	
		VDD5	78	VDD5	
		VDD5	79	VDD5	
		VDD5	80	VDD5	
		VDD5	81	VDD5	
		VDD5	82	VDD5	
		VDD5	83	VDD5	
		VDD5	84	VDD5	
		VDD5	85	VDD5	
		VDD5	86	VDD5	
		VDD5	87	VDD5	
		VDD5	88	VDD5	
		VDD5	89	VDD5	
		VDD5	90	VDD5	
		VDD5	91	VDD5	
		VDD5	92	VDD5	
		VDD5	93	VDD5	
		VDD5	94	VDD5	
		VDD5	95	VDD5	
		VDD5	96	VDD5	
		VDD5	97	VDD5	
		VDD5	98	VDD5	
		VDD5	99	VDD5	
		VDD5	100	VDD5	

Figure 25 Satellite Connector Type ACT

- (1) P0.7 can also be used for JTAG Debugging (TDI)
- (2) P0.8 is used as TRST in order to enable JTAG Debug
- (3) This pin is connected with the satellite connector via an analog switch

3 Differences to Board Version V2

Table 11 Differences to older board versions

Topic of Change	Description
Debugger	An on-board debugger has been added. The debugger has an USB interface (X500). An external debugger can still be used via X400 / X401.
User Push Button	A user button as been added. The user button is connected to P2.15. In V2 versions P2.15 was connected to P2.14.
I2C Connection	The SDA signal of the I2C is connected to P2.14 only. In V2 versions the SDA signal was connected to P2.14 and P2.15.
USB Shielding	The USB shield has been connected to ground through a 1 MOhm resistor and a 100 nF capacitor

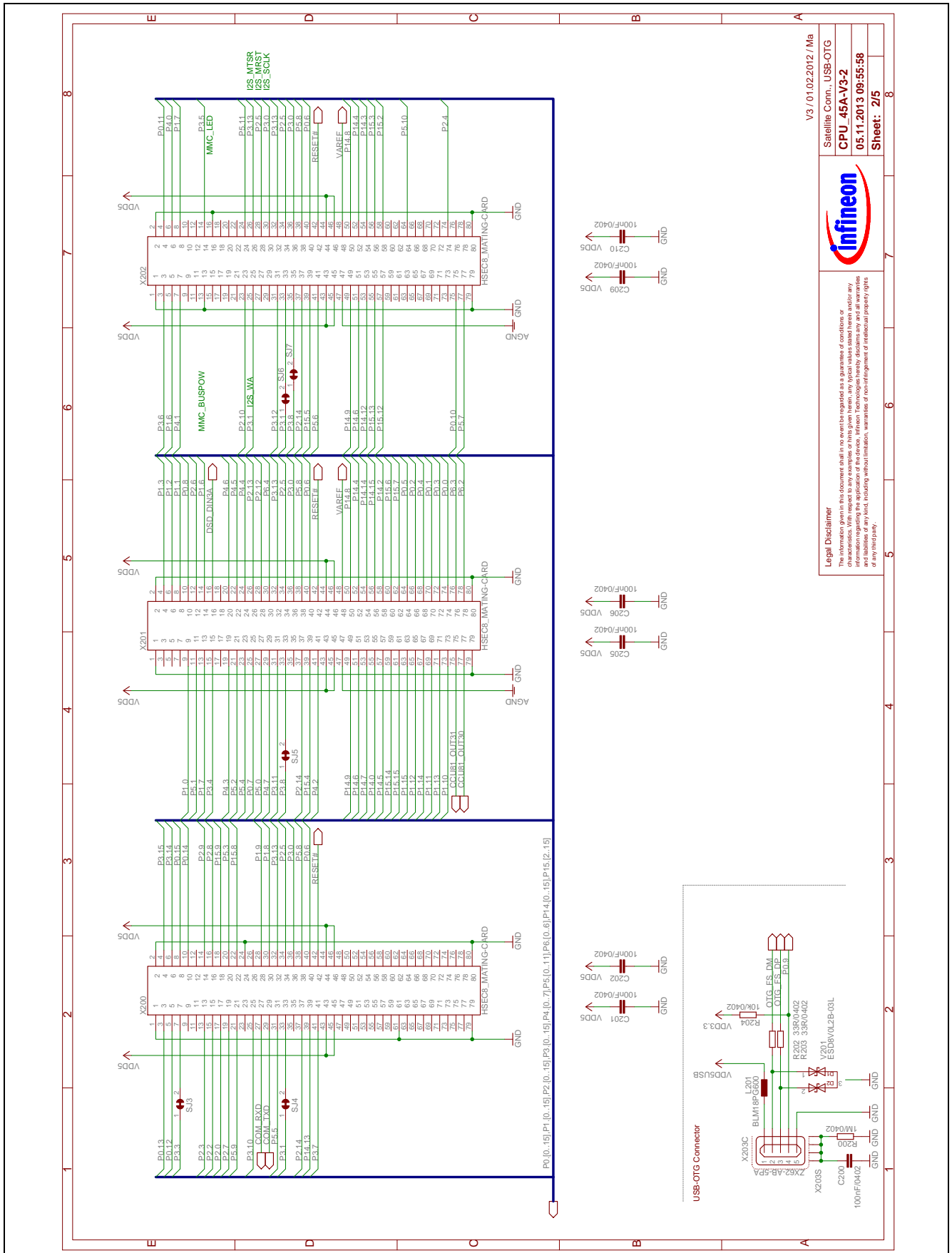
4 Production Data

4.1 Schematics

This chapter contains the schematics for the CPU board:

- Schematic of Satellite Connectors, USB-OTG
- Schematic of XMC4500
- Schematic of Power Supply, Debug Connectors, Reset Circuit
- Schematic of On-board Debugger

The board has been designed with Eagle. The PCB design data of this board can be downloaded from www.infineon.com/xmc-dev.



V3 / 01.02.2012 / Ma
Satellite Conn., USB-OTG
CPU 45A-V3-2
05.11.2013 09:55:58
Sheet: 2/5



Legal Disclaimer
The information given in this document shall in no event be regarded as a guarantee of conditions or results. The user is advised to perform their own tests and to verify the information given in this document against their own requirements and standards. Infineon Technologies AG and its subsidiaries assume no liability for damages or losses of any kind, including without limitation, warranties of non-infringement of intellectual property rights of any third party.

Figure 26 Schematic of Satellite Connectors, USB-OTG

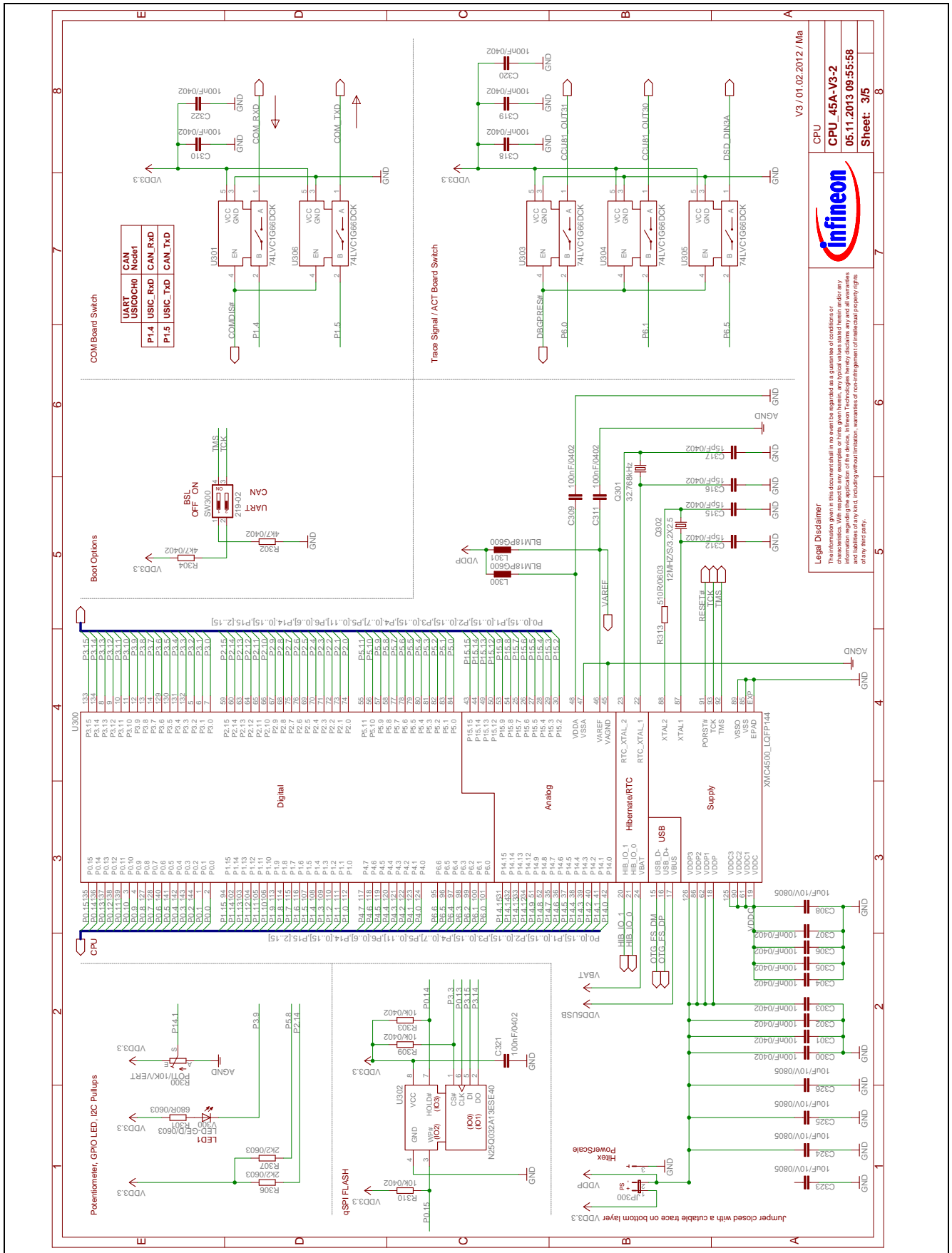
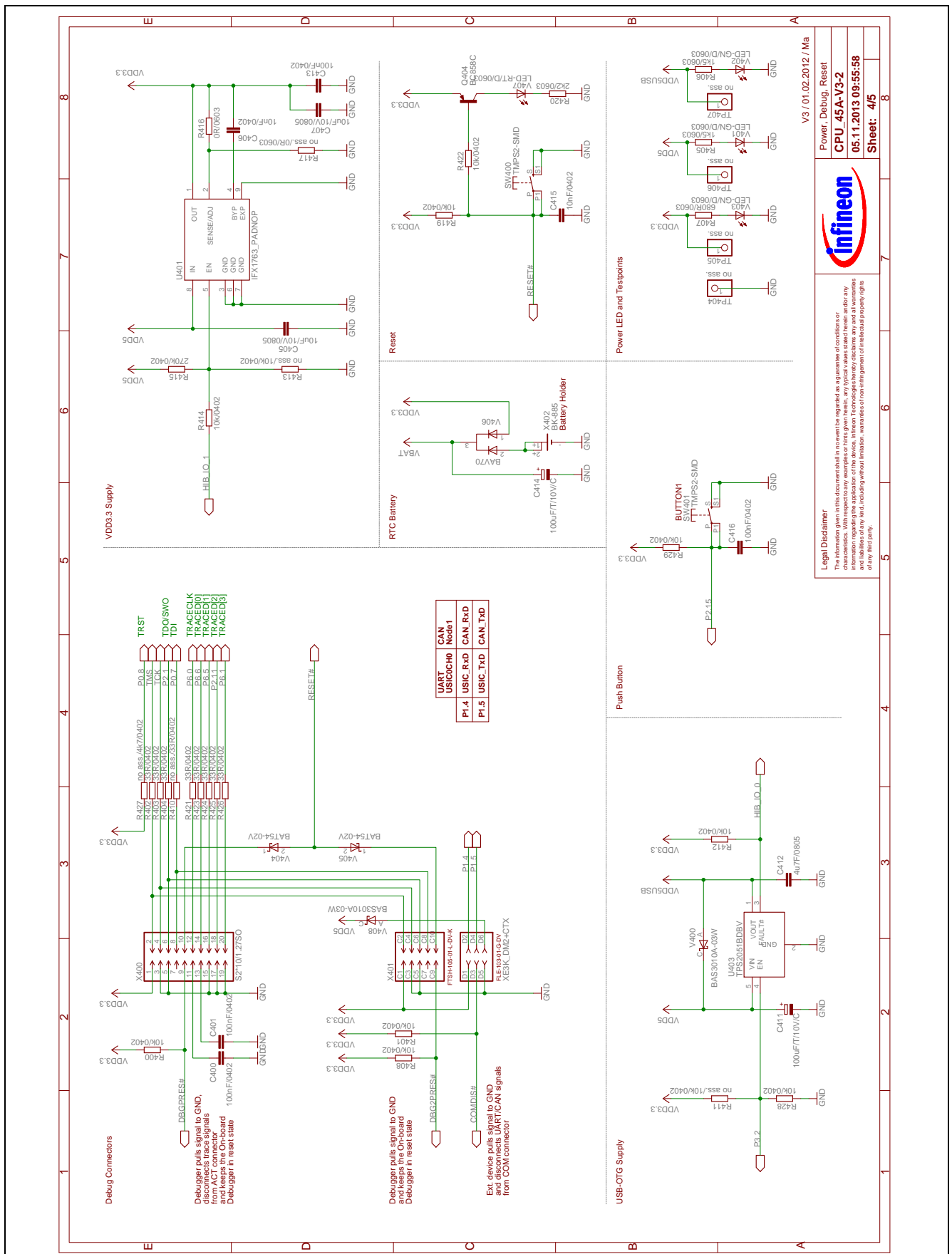


Figure 27 Schematic of XMC4500



V3 / 01.02.2012 / Ma

Power, Debug, Reset

infineon

CPU_45A-V3-2

05.11.2013 09:55:58

Sheet: 4/5

Legal Disclaimer
The user hereby declares that he/she has read and understood the complete set of conditions of sale and the terms of use of the device. Infineon Technologies hereby disclaims any and all warranties and liabilities of any kind, including without limitation, warranties of non-infringement of intellectual property rights of any third party.

Figure 28 Schematic of Power Supply, Debug Connectors, Reset Circuit

4.2 Component Placement and Geometry

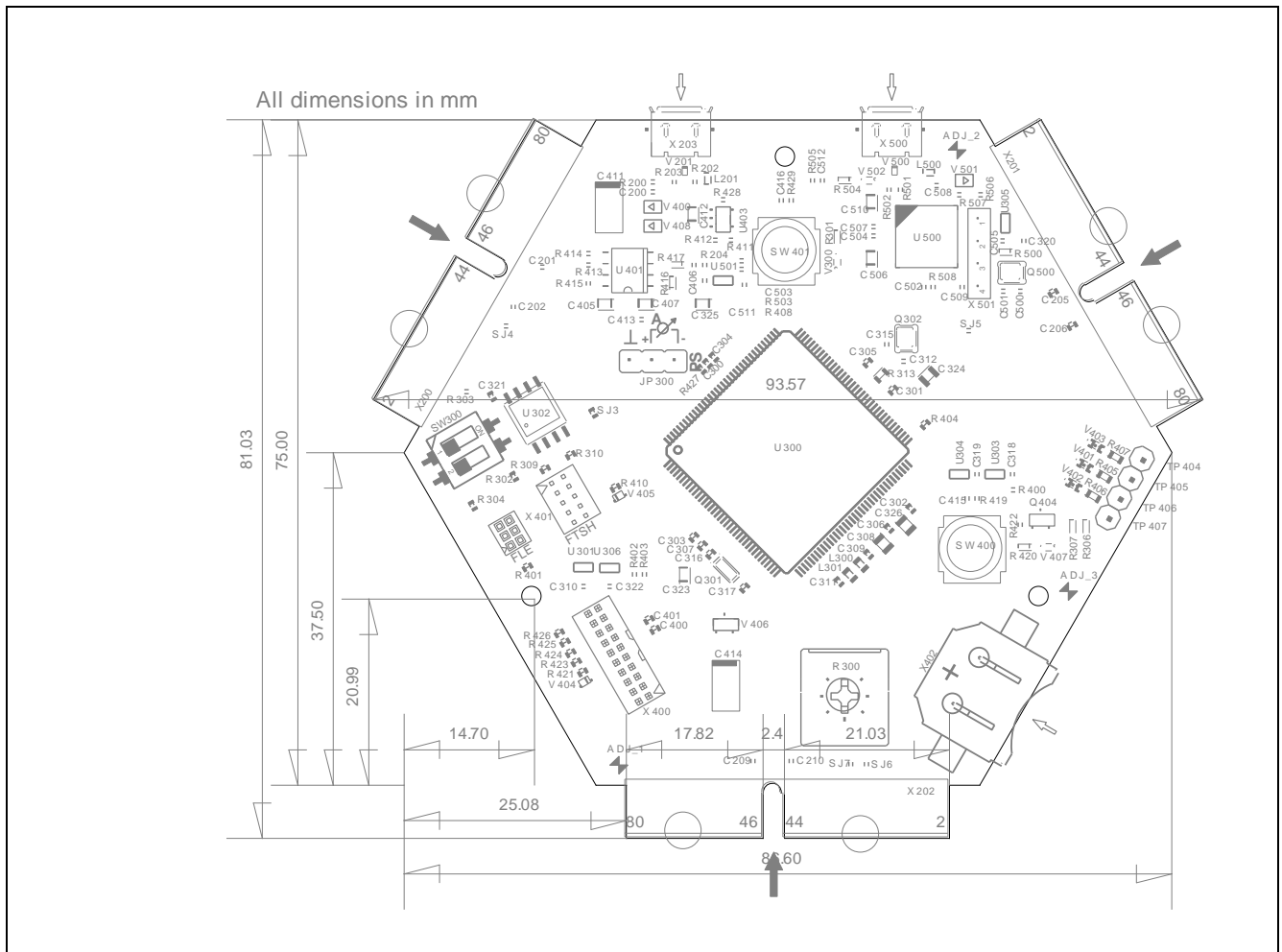


Figure 30 Component Placement and Geometry

4.3 Bill of Material (BOM)

Table 12 BOM of CPU_45A-V3 Board

Pos. No.	Qty	Value	Device	Reference Des.
1	1	0R/0603	Resistor	R416
2	2	1M/0402	Resistor	R200, R505
3	2	1k5/0603	Resistor	R405, R406
4	3	2k2/0603	Resistor	R306, R307, R420
5	3	4k7/0402	Resistor	R302, R304, R506
6	1	4u7F/0805	Capacitor, ceramic 10% X7R	C412, C506
7	15	10k/0402	Resistor	R204, R303, R309, R310, R400, R401, R408, R412, R414, R419, R422, R428, R429, R503, R507
8	2	10nF/0402	Capacitor	C406, C415
9	9	10uF/10V/0805	Capacitor ceramic	C308, C323, C324, C325, C326, C405, C407, C510
10	2	12MHZ/S/3.2X2.5	Crystal, NX3225GD, NDK	Q302, Q500
11	6	15pF/0402	Capacitor, ceramic 10% NP0	C312, C315, C316, C317, C500, C501
12	1	32.768kHz	Crystal, NX3215SA, NDK	Q301
13	12	33R/0402	Resistor	R202, R203, R402, R403, R404, R421, R423, R424, R425, R426, R501, R502
14	5	74LVC1G66DCK	IC, Single Analog Switch	U301, U303, U304, U305, U306
15	35	100nF/0402	Capacitor	C200, C201, C202, C205, C206, C209, C210, C300, C301, C302, C303, C304, C305, C306, C307, C309, C310, C311, C318, C319, C320, C321, C322, C400, C401, C413, C416, C502, C504, C505, C507, C508, C509, C511, C512
16	2	100uF/T/10V/C	Capacitor, bipolar	C411, C414
17	1	219-02	Dual DIP-Switch, 0.1" SMD	SW300
18	1	270k/0402	Resistor	R415
19	2	510R/0603	Resistor	R313, R500
20	3	680R/0603	Resistor	R301, R407, R504
21	3	BAS3010A-03W	Diode, SOD323, Infineon	V400, V408, V501
22	2	BAT54-02V	Diode, SC79, Infineon	V404, V405
23	1	BAV70	Diode, SOT23-3, Infineon	V406
24	1	BC858C	Transistor, SOT23-3, Infineon	Q404
25	1	BK-885	Battery Holder, 12mm Coin Cell	X402
26	4	BLM18PG600	Ferrite Bead, 0603, Murata	L201, L300, L301, L500
27	2	ESD8V0L2B-03L	Diode, TSLP-3-1, Infineon	V201, V500
28	3	FIDUCIAL	FIDUCIAL	ADJ_1, ADJ_2, ADJ_3
29	3	HSEC8_MATING-CARD	Connector, 80-pin Edgecard, Samtec	X200, X201, X202
30	1	IFX1763_PADNOP	Voltage Regulator, 3.3V LDO, Infineon	U401
31	1	LED-GE/D/0603	LED, yellow	V300

Table 12 BOM of CPU_45A-V3 Board

Pos. No.	Qty	Value	Device	Reference Des.
32	4	LED-GN/D/0603	LED, green	V401, V402, V403, V502
33	1	LED-RT/D/0603	LED, red	V407
34	1	NC7WZ07P6X	NC7WZ07_2P6X	U501
35	1	POTI/10K/VERT	Potentiometer, K09K1130A8G, ALPS	R300
36	1	S2*10/1.27SO	Connector, FTSH-110-01-L-DVK-P, Samtec	X400
37	1	N25Q032A13ESE40	IC, Serial SPI Flash, 32Mb	U302
38	2	TMPS2-SMD	Switch, tactile	SW400, SW401
39	1	TPS2051BDBV	IC, Power Switch	U403
40	1	XE3K_DM2+CTX	Connector, FTSH-105-01-LM-DVK, without pin 7, Samtec Connector, FLE-103-01-G-DV, Samtec	X401
41	1	XMC4200_QFN48	IC, XMC4200, QFN48, Infineon	U500
42	1	XMC4500_LQFP144	IC, XMC4500, LQFP144, Infineon	U300
43	2	ZX62-AB-5PA	Connector, Micro-USB, Hirose	X203, X500
44	1	no ass.	Pinheader, 4-pin, 0.1" TH	X501
45	4	no ass.	Pinheader, 1-pin, 0.1" TH	TP404, TP405, TP406, TP407
46	1	no ass./0R/0603	Resistor	R417
47	1	no ass./4k7/0402	Resistor	R427
48	2	no ass./10k/0402	Resistor	R411, R413
49	1	no ass./10nF/0402	Resistor	C503
50	2	no ass./33R/0402	Resistor	R410, R508
51	1	no ass.	Pinheader, 3-pin, 0.1" TH, Hitex PowerScale	JP300
52	5	0R/0402	Solder Jumper (0 Ohm)	SJ3, SJ4, SJ5, SJ6, SJ7

www.infineon.com

Published by Infineon Technologies AG

X-ON Electronics

Largest Supplier of Electrical and Electronic Components

Click to view similar products for [Development Boards & Kits - ARM category](#):

Click to view products by [Infineon manufacturer](#):

Other Similar products are found below :

[SAFETI-HSK-RM48](#) [PICOHOBBITFL](#) [CC-ACC-MMK-2443](#) [EVALSPEAR320CPU](#) [TMDX570LS04HDK](#) [TXSD-SV70](#) [TXSD-SV71](#)
[YGRPEACHNORMAL](#) [PICODWARFFL](#) [YR8A77450HA02BG](#) [3580](#) [32F3348DISCOVERY](#) [ATTINY1607](#) [CURIOSITY NANO](#)
[PIC16F15376](#) [CURIOSITY NANO BOARD](#) [PIC18F47Q10](#) [CURIOSITY NANO](#) [VISIONSTK-6ULL V.2.0](#) [DEV-17717](#) [EAK00360](#)
[YR0K77210B000BE](#) [RTK7EKA2L1S00001BE](#) [SLN-VIZN-IOT](#) [LV18F V6 DEVELOPMENT SYSTEM](#) [READY FOR AVR BOARD](#)
[READY FOR PIC BOARD](#) [READY FOR PIC \(DIP28\)](#) [AVRPLC16 V6 PLC SYSTEM](#) [MIKROLAB FOR AVR XL](#) [MIKROLAB FOR PIC L](#)
[MINI-AT BOARD - 5V](#) [MINI-M4 FOR STELLARIS](#) [MOD-09.Z](#) [BUGGY + CLICKER 2 FOR PIC32MX + BLUETOOT](#) [1410](#) [LETS](#)
[MAKE PROJECT PROGRAM. RELAY PIC](#) [LETS MAKE - VOICE CONTROLLED LIGHTS](#) [LPC-H2294](#) [DSPIC-READY2 BOARD](#)
[DSPIC-READY3 BOARD](#) [MIKROBOARD FOR ARM 64-PIN](#) [MIKROLAB FOR AVR](#) [MIKROLAB FOR AVR L](#) [MIKROLAB FOR](#)
[DSPIC](#) [MIKROLAB FOR DSPIC XL](#) [MIKROLAB FOR PIC32](#) [MIKROLAB FOR TIVA](#) [EASYAVR V7](#) [EASYMX PRO FOR TIVA C](#)
[SERIES](#) [EASYMX PRO V7 FOR STM32](#) [EASYPIC FUSION V7](#) [MINI-32 BOARD](#)