



# Hexagon Application Kit

For XMC4000 Family

## AUT\_ISO-V1

Automation I/O Card

## Board User's Manual

Revision 1.0, 2012-02-28

Microcontroller

**Edition 2012-02-28**

**Published by  
Infineon Technologies AG  
81726 Munich, Germany**

**© 2012 Infineon Technologies AG  
All Rights Reserved.**

### **Legal Disclaimer**

The information given in this document shall in no event be regarded as a guarantee of conditions or characteristics. With respect to any examples or hints given herein, any typical values stated herein and/or any information regarding the application of the device, Infineon Technologies hereby disclaims any and all warranties and liabilities of any kind, including without limitation, warranties of non-infringement of intellectual property rights of any third party.

### **Information**

For further information on technology, delivery terms and conditions and prices, please contact the nearest Infineon Technologies Office ([www.infineon.com](http://www.infineon.com)).

### **Warnings**

Due to technical requirements, components may contain dangerous substances. For information on the types in question, please contact the nearest Infineon Technologies Office.

Infineon Technologies components may be used in life-support devices or systems only with the express written approval of Infineon Technologies, if a failure of such components can reasonably be expected to cause the failure of that life-support device or system or to affect the safety or effectiveness of that device or system. Life support devices or systems are intended to be implanted in the human body or to support and/or maintain and sustain and/or protect human life. If they fail, it is reasonable to assume that the health of the user or other persons may be endangered.

**Revision History**

Page or Item	Subjects (major changes since previous revision)
<b>Revision 1.0, 2012-02-28</b>	<b>Initial release</b>

**Trademarks of Infineon Technologies AG**

AURIX™, C166™, CanPAK™, CIPOS™, CIPURSE™, EconoPACK™, CoolMOS™, CoolSET™, CORECONTROL™, CROSSAVE™, DAVE™, EasyPIM™, EconoBRIDGE™, EconoDUAL™, EconoPIM™, EiceDRIVER™, eupec™, FCOS™, HITFET™, HybridPACK™, I<sup>2</sup>RF™, ISOFACE™, IsoPACK™, MIPAQ™, ModSTACK™, my-d™, NovalithIC™, OptiMOS™, ORIGA™, PRIMARION™, PrimePACK™, PrimeSTACK™, PRO-SIL™, PROFET™, RASIC™, ReverSave™, SatRIC™, SIEGET™, SINDRION™, SIPMOS™, SmartLEWIS™, SOLID FLASH™, TEMPFET™, thinQ!™, TRENCHSTOP™, TriCore™.

**Other Trademarks**

Advance Design System™ (ADS) of Agilent Technologies, AMBA™, ARM™, MULTI-ICE™, KEIL™, PRIMECELL™, REALVIEW™, THUMB™, μVision™ of ARM Limited, UK. AUTOSAR™ is licensed by AUTOSAR development partnership. Bluetooth™ of Bluetooth SIG Inc. CAT-iq™ of DECT Forum. COLOSSUS™, FirstGPS™ of Trimble Navigation Ltd. EMV™ of EMVCo, LLC (Visa Holdings Inc.). EPCOS™ of Epcos AG. FLEXGO™ of Microsoft Corporation. FlexRay™ is licensed by FlexRay Consortium. HYPERTERMINAL™ of Hilgraeve Incorporated. IEC™ of Commission Electrotechnique Internationale. IrDA™ of Infrared Data Association Corporation. ISO™ of INTERNATIONAL ORGANIZATION FOR STANDARDIZATION. MATLAB™ of MathWorks, Inc. MAXIM™ of Maxim Integrated Products, Inc. MICROTEC™, NUCLEUS™ of Mentor Graphics Corporation. Mifare™ of NXP. MIPI™ of MIPI Alliance, Inc. MIPS™ of MIPS Technologies, Inc., USA. muRata™ of MURATA MANUFACTURING CO., MICROWAVE OFFICE™ (MWO) of Applied Wave Research Inc., OmniVision™ of OmniVision Technologies, Inc. Openwave™ Openwave Systems Inc. RED HAT™ Red Hat, Inc. RFMD™ RF Micro Devices, Inc. SIRIUS™ of Sirius Satellite Radio Inc. SOLARIS™ of Sun Microsystems, Inc. SPANSION™ of Spansion LLC Ltd. Symbian™ of Symbian Software Limited. TAIYO YUDEN™ of Taiyo Yuden Co. TEAKLITE™ of CEVA, Inc. TEKTRONIX™ of Tektronix Inc. TOKO™ of TOKO KABUSHIKI KAISHA TA. UNIX™ of X/Open Company Limited. VERILOG™, PALLADIUM™ of Cadence Design Systems, Inc. VLYNQ™ of Texas Instruments Incorporated. VXWORKS™, WIND RIVER™ of WIND RIVER SYSTEMS, INC. ZETEX™ of Diodes Zetex Limited.

Last Trademarks Update 2011-02-24

## Table of Contents

<b>1</b>	<b>Overview .....</b>	<b>7</b>
1.1	Key Features .....	7
1.2	Block Diagram .....	8
<b>2</b>	<b>Hardware Description .....</b>	<b>8</b>
2.1	ISOFACE OUT .....	9
2.2	ISOFACE IN .....	9
2.3	IO Expander .....	10
2.4	Power .....	11
2.5	Satellite Connector .....	12
<b>3</b>	<b>Production Data.....</b>	<b>13</b>
3.1	Schematics .....	13
3.2	Layout and Geometry.....	16
3.3	Bill of Material.....	17

## List of Figures

Figure 1	Automation I/O Card (AUT_ISO-V1) .....	8
Figure 2	Automation I/O Card Interfaces.....	8
Figure 3	Power Circuit .....	11
Figure 4	ACT Satellite Connector.....	12
Figure 5	Satellite Connector Type ACT.....	12
Figure 6	Satellite Connector, IO Expander, Power .....	14
Figure 7	ISOFACE.....	15
Figure 8	Automation I/O Card Layout.....	16

## List of Tables

Table 1	ISOFACE OUT Connector Pinout .....	9
Table 2	ISOFACE OUT signal connection to the Satellite Connector .....	9
Table 3	ISOFACE IN Connector Pinout .....	9
Table 4	ISOFACE IN signal connection to the Satellite Connector .....	10
Table 5	GPIO channel LED/SMD pad mapping.....	10
Table 6	IO Expander I2C signal connection to the Satellite Connector .....	10
Table 7	Power LED's.....	11
Table 8	PowerScale Jumper .....	11
Table 9	Automation I/O Card BOM .....	17

## **Introduction**

This document describes the features and hardware details of the Automation I/O Card (AUT\_ISO-V1) designed to work with Infineon's XMC4500 CPU board. This board is part of Infineon's Hexagon Application Kits.

## **1 Overview**

The AUT\_ISO-V1 board is an application expansion satellite card of the Hexagon Application Kits. The satellite card along with a CPU board (e.g. CPU\_45A-V2 board) demonstrates ISOFACE capabilities together with XMC4500. The focus is safe operation under evaluation conditions. The satellite card is not cost optimized and cannot be seen as reference design.

### **1.1 Key Features**

The AUT\_ISO-V1 satellite card is equipped with following features

- Connection to CPU board (e.g. CPU\_45A-V2) via satellite connector ACT
- ISOFACE OUT, up to 8 channels
- ISOFACE IN, up to 8 channels
- I2C based IO expander up to 8 channels
- Power supply
  - Powerjack for external 24 V supply
  - From CPU board via ACT satellite connector

## 1.2 Block Diagram

Figure 1 shows the block diagram of the AUT\_ISO-V1 satellite card. There are following building blocks:

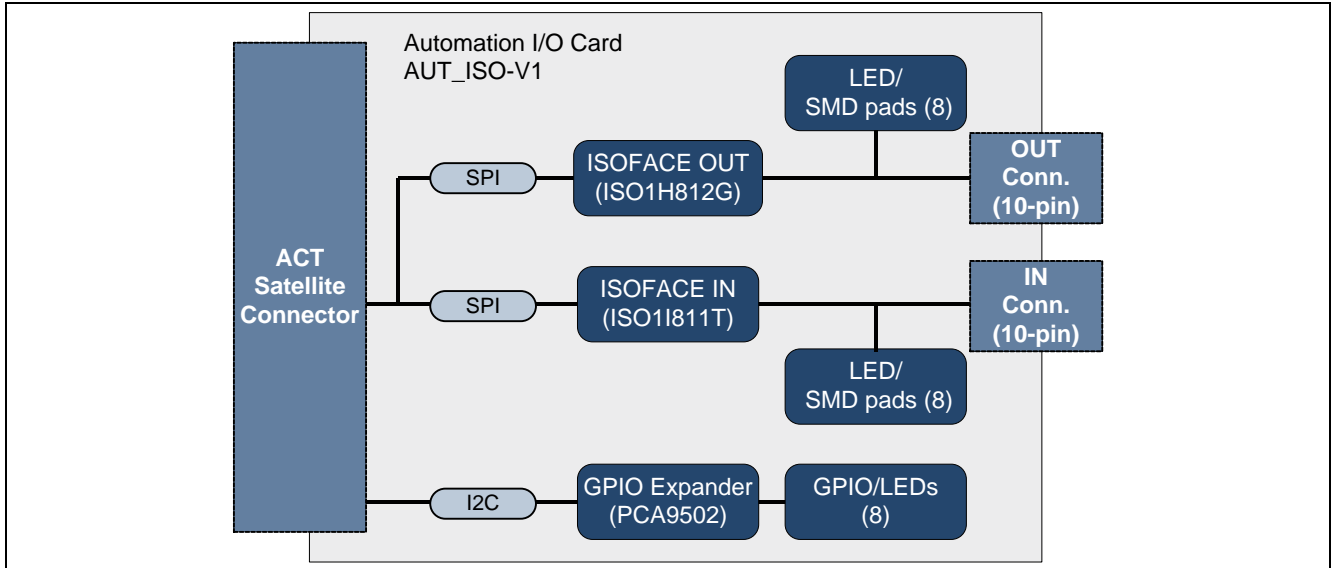


Figure 1 Automation I/O Card (AUT\_ISO-V1)

## 2 Hardware Description

The following sections give a detailed description of the hardware and how it can be used.

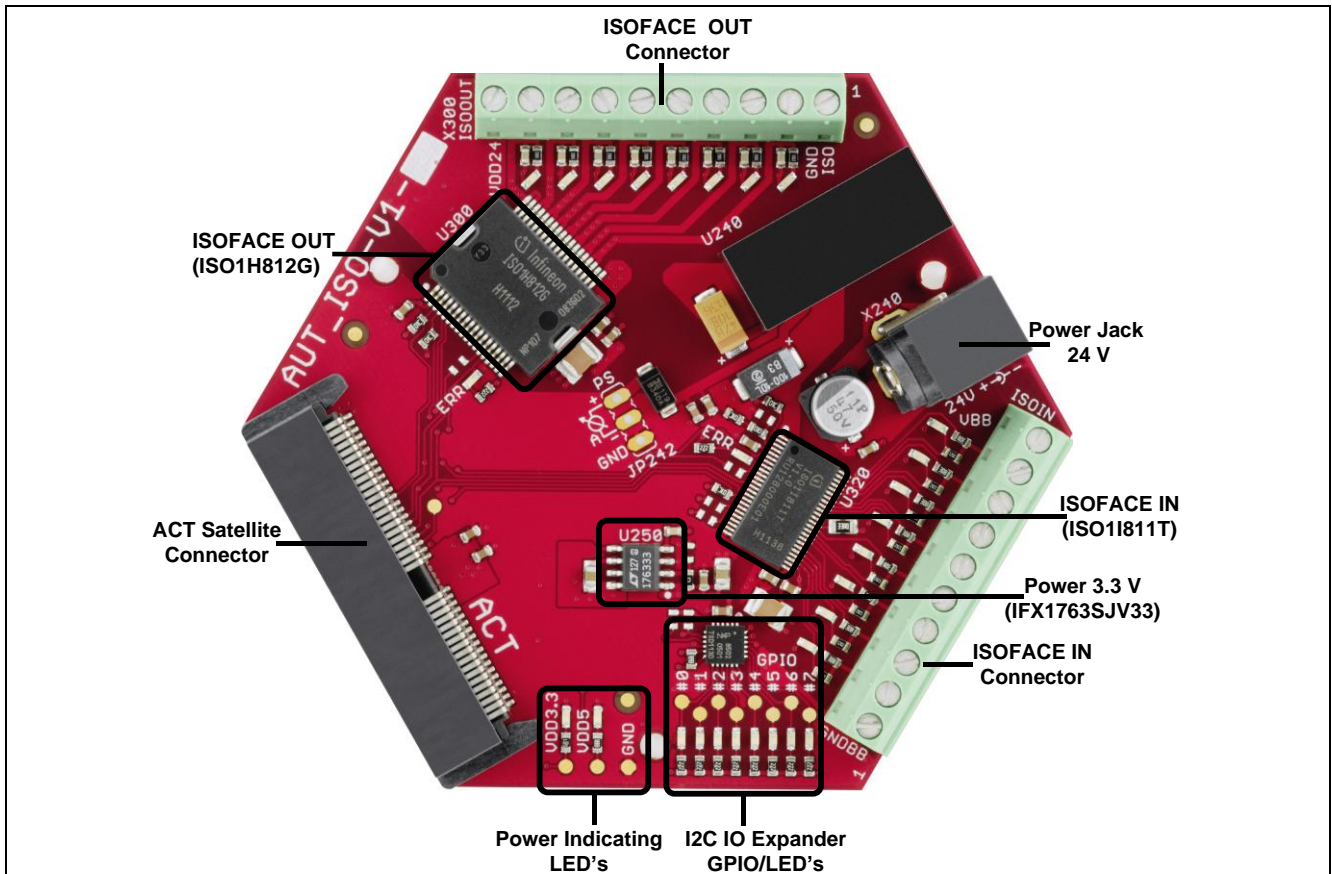


Figure 2 Automation I/O Card Interfaces



## 2.1 ISOFACE OUT

ISOFACE output device used in AUT\_ISO-V1 satellite card is ISO1H812G. It is supplied by VDD3.3 on the CPU side and VDD24 for the ISOFACE OUT side. VDD24 and GNDISO can be connected either by X300 or by X240(24 V external power jack). This is the same net that supplies the DC/DC converter. VDD24 is +24 Vdc (referred to GNDISO)

Table 1 below gives the signal details of ISOFACE OUT connector.

**Table 1 ISOFACE OUT Connector Pinout**

Pin No.	Signal Name	Description
1	GND	Ground
2	OUT7	Output 7
3	OUT6	Output 6
4	OUT5	Output 5
5	OUT4	Output 4
6	OUT3	Output 3
7	OUT2	Output 2
8	OUT1	Output 1
9	OUT0	Output 0
10	VDD24	24 V

Table 12 below gives the details of SPI signal connection to the satellite connector.

**Table 2 ISOFACE OUT signal connection to the Satellite Connector**

Pin No.	Signal Name	Description
31	SPI_CSA0	SPI Chip Select
32	SPI_MTSR	SPI ISOFACE Data In
34	SPI_MRST	SPI ISOFACE Data Out
36	SPI_SCLK	SPI Clock
3	ISO_OUT_DIS_N	Output Disable
14	ISO_OUT_DIAG_N	Common Diagnostic Output for Overtemperature

## 2.2 ISOFACE IN

ISOFACE input device used in AUT\_ISO-V1 satellite card is ISO1I811T. It is supplied by 3.3 V on the CPU side and VBB (24V) for the ISOFACE IN side. VBB and GNDBB need a separate connection to 24 V external power source through connector X320.

Resistor R337 is used on board for setting input type to IEC61131-2 Type 1.  
Resistors R326 and R327 sets the frequency of ISOFACE IN to 100 kHz (default).

Table 3 gives the details of ISOFACE IN connector pin mapping.

**Table 3 ISOFACE IN Connector Pinout**

Pin No.	Signal Name	Description
1	GNDBB	Ground reference for Supply VBB
2	IN0	Input 0

**Table 3 ISOFACE IN Connector Pinout**

Pin No.	Signal Name	Description
3	IN1	Input 1
4	IN2	Input 2
5	IN3	Input 3
6	IN4	Input 4
7	IN5	Input 5
8	IN6	Input 6
9	IN7	Input 7
10	VBB	+24 V (Separate external power source required)

ISOFACE IN shares the same SPI lines with ISOFACE OUT except the chip select as shown in Table 4.

**Table 4 ISOFACE IN signal connection to the Satellite Connector**

Pin No.	Signal Name	Description
33	SPI_CSA1	SPI Chip Select
32	SPI_MTSR	SPI ISOFACE Data In
34	SPI_MRST	SPI ISOFACE Data Out
36	SPI_SCLK	SPI Clock
6	ISO_IN_ERR_N	Error Output

## 2.3 IO Expander

The AUT\_ISO-V1 satellite card supports GPIO expansion through I2C IO-Expander on board (U230). The I2C Address for IO expander device is 0x1001000X. The satellite card supports 8 such GPIO's. All the GPIO's are connected to LEDs (V230-V237) and SMD-Pads (TP230 – TP237). The Table 5 gives the GPIO channel and corresponding LED/PAD mapping.

**Table 5 GPIO channel LED/SMD pad mapping**

GPIO	LED reference	SMD pad Reference
GPIO0	V230	TP230
GPIO1	V231	TP231
GPIO2	V232	TP232
GPIO3	V233	TP233
GPIO4	V234	TP234
GPIO5	V235	TP235
GPIO6	V236	TP236
GPIO7	V237	TP237

Table 6 shows the connection of the IO Expander device to the ACT satellite connector.

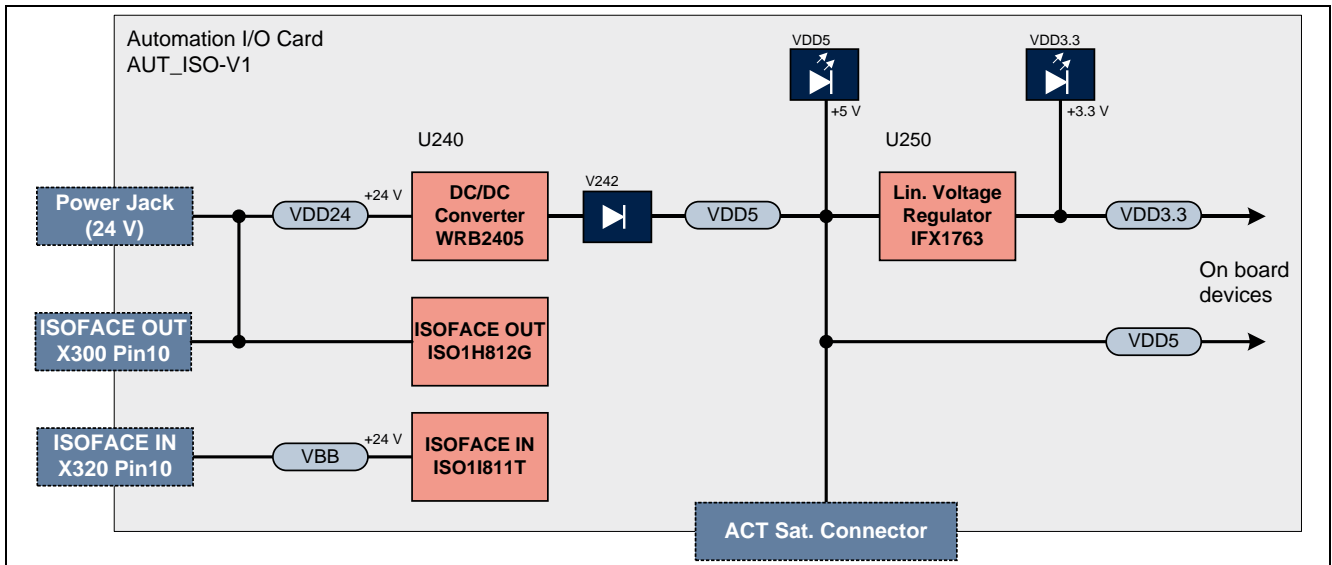
**Table 6 IO Expander I2C signal connection to the Satellite Connector**

Pin No.	Signal Name	Description
38	I2C_SCL	Clock
37	I2C_SDA	Data

## 2.4 Power

The AUT\_ISO-V1 satellite card can be supplied by an external power supply (24 V / 1 A) to be connected to the power jack X240 or by a 5 V supply via the 80-pin ACT satellite connector. An external power supply is necessary only in case the current coming via the ACT satellite connector is not sufficient.

A DC-DC converter on board (U240) steps down the input voltage from the power jack X240 to 5 V (VDD5). The input voltage can be in the range from 12 V to 24 V. An on board linear voltage regulator is generating a 3.3 V (VDD3.3) power supply out of the VDD5.



**Figure 3 Power Circuit**

A Diode V242 protects the reverse flow of current to an external source. Therefore a simultaneous power supply of the satellite boards via both the power jack and the satellite connector with not harm.

LED V210 indicates the presence of 5 V power and LED V211 indicates the presence of 3.3 V power.

**Table 7 Power LED's**

LED	Power Rail	Voltage	Note
V210	VDD5	5 V	Must always be "ON"
V211	VDD3.3	3 V	Must always be "ON"

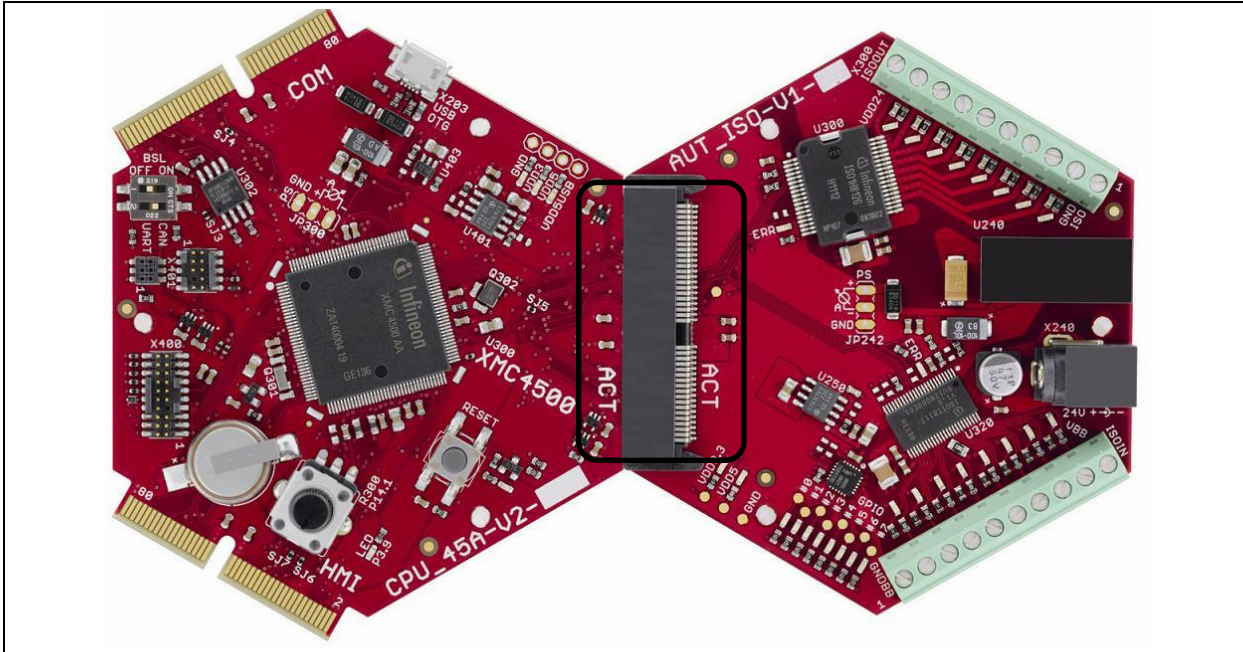
The AUT\_ISO-V1 satellite card supports a PowerScale probe for power measurement purpose.

**Table 8 PowerScale Jumper**

Jumper	Function	Description
JP242	PowerScale	At this point a Hitex PowerScale probe can be connected for current sensing VDD5 (complete power) Default: pos. 1-2 (closed) <i>Note: On the PCB bottom side there will be a shorting trace between pin 1-2. This trace has to be cut first, before using PowerScale</i>

## 2.5 Satellite Connector

The satellite connector of the AUT\_ISO-V1 satellite card interfaces it's the signals to a CPU board e.g. CPU\_45A-V2. Take care to connect the ACT satellite card always to the corresponding ACT satellite connector of the CPU board only.



**Figure 4** ACT Satellite Connector

The signal mapping of the ACT satellite connector and corresponding CPU function are provided in figure 6

CPU_45A V2 function >>	CONpins >>	CONpins >>	CPU_45A V2 function >>
GND	2	GND	GND
PIFO_IN0A	4	PIFOIN1	nc
PIFO_IN1A	5	PIFOIN2	nc
PIFO_IN2A	7	PIFOIN3	nc
DSD_DIN0A	9	DSDIN0	DSD_PWMIN
DSD_DIN1B	11	DSDIN1	DSD_PWMIP
DSD_DIN2A	13	DSDIN2	DSD_MCLK2A
DSD_DIN3A	15	DSDIN3	DSD_MCLK3B
nc	17	RSVD	nc
CCU43_IN0A	19	CC_IN0	CCU43_IN3A
CCU43_IN1A	21	CC_IN1	CCU81_IN1B
CCU43_IN2A	23	CC_IN2	CCU81_IN3B
CCU43_IN2C	25	ENA_A	CCU80_IN0A
CCU43_IN3C	27	ENA_B	CCU81_IN0A
CCU43OUT1	29	ENA_X	CCU43_IN0C
U1C1_DOUT0	31	SPI_MTSR	U1C1_SELO0
U1C1_DX0B	33	SPI_MRST	U1C1_OUT12
U1C0_SCLKOUT	35	SPI_SCLK	nc
U1C0_SCLKOUT	37	I2C_SCL	U1C0_DX0C/DOUT0
P0.6	39	GPIO	P15.4
PORST	41	RESET	P4.2
5V	43	5V	5V
5V	45	5V	5V
VAREF	47	AREF	VAGND
VADC_G1CH0	49	DAC1/ADCO	VADC_G1CH1
VADC_G0CH4	51	ADC2/DACREF	VADC_G0CH6
VADC_G1CH6	53	ADC4/ORC1	VADC_G0CH7
VADC_G1CH7	55	ADC6/ORC3	VADC_G0CH0
VADC_G0CH2	57	ADC8	VADC_G0CH5
VADC_G2CH6	59	ADC10	VADC_G3CH6
VADC_G2CH7	61	ADC12	VADC_G3CH7
CCU80_OUT00	63	PWMA0_H	CCU81_OUT00
CCU80_OUT01	65	PWMA0_L	CCU81_OUT01
CCU80_OUT10	67	PWMA1_H	CCU81_OUT10
CCU80_OUT11	69	PWMA1_L	CCU81_OUT11
CCU80_OUT20	71	PWMA2_H	CCU81_OUT20
CCU80_OUT21	73	PWMA2_L	CCU81_OUT21
CCU43OUT2	75	PWMX0	CCU81_OUT31
CCU43OUT3	77	PWMX1	CCU81_OUT30
GND	79	GND	GND

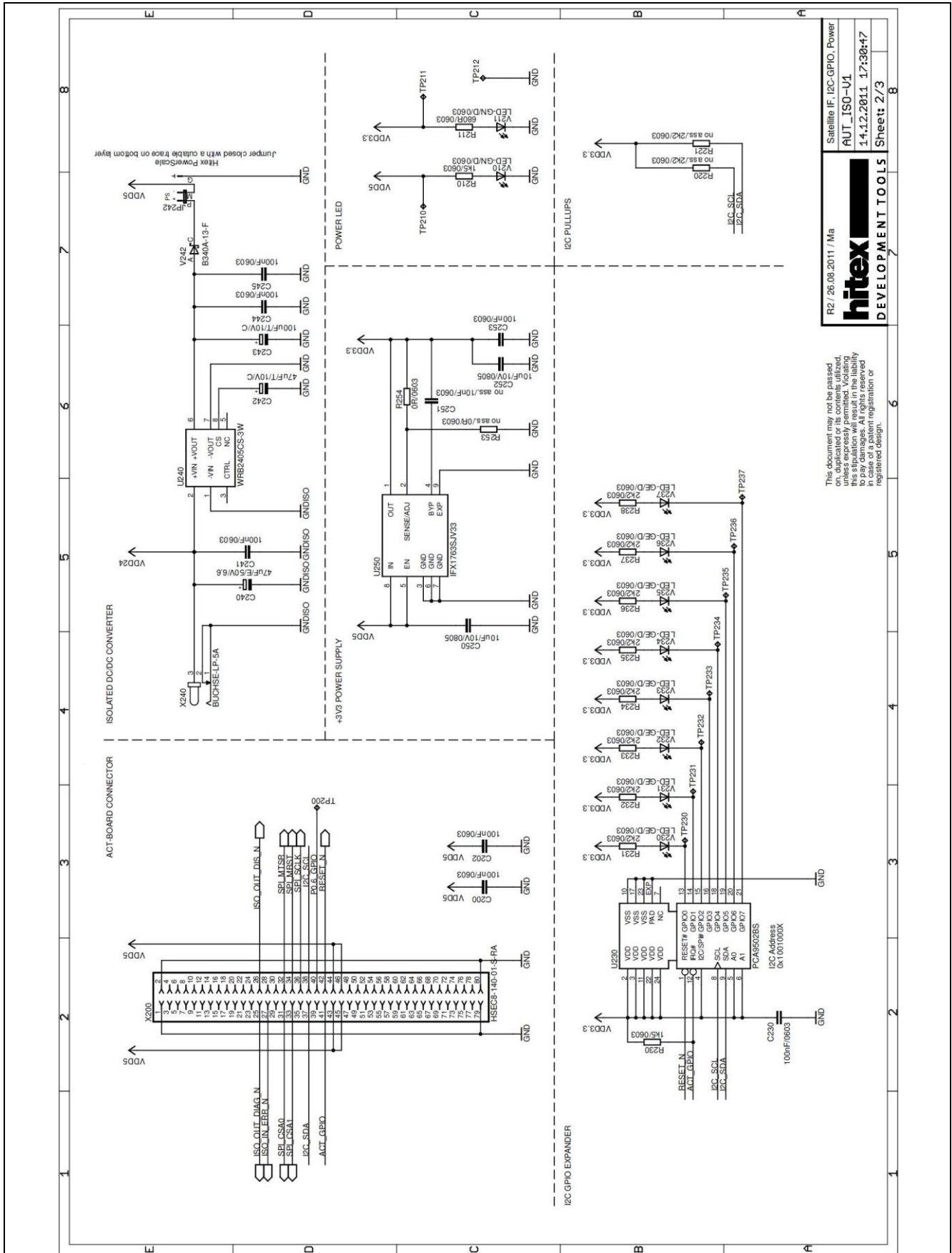
**Figure 5** Satellite Connector Type ACT

## **3        Production Data**

### **3.1      Schematics**

This chapter contains the schematics for the Automation I/O Card:

- Satellite Connector, IO Expander, Power
- ISOFACE



Satellite I2C-GPIO - Power  
AUT\_ISO-V1  
14.12.2011 17:30:47  
Sheet: 2/3

R2 / 26.08.2011 / Ma  
**hitex**  
DEVELOPMENT TOOLS

This document may not be passed, copied, reproduced, or otherwise disseminated without the express written permission of Hitex. Violating this stipulation will result in the liability of the user. The information contained herein is subject to change without notice. In case of a patent registration or registered design.

Figure 6 Satellite Connector, IO Expander, Power

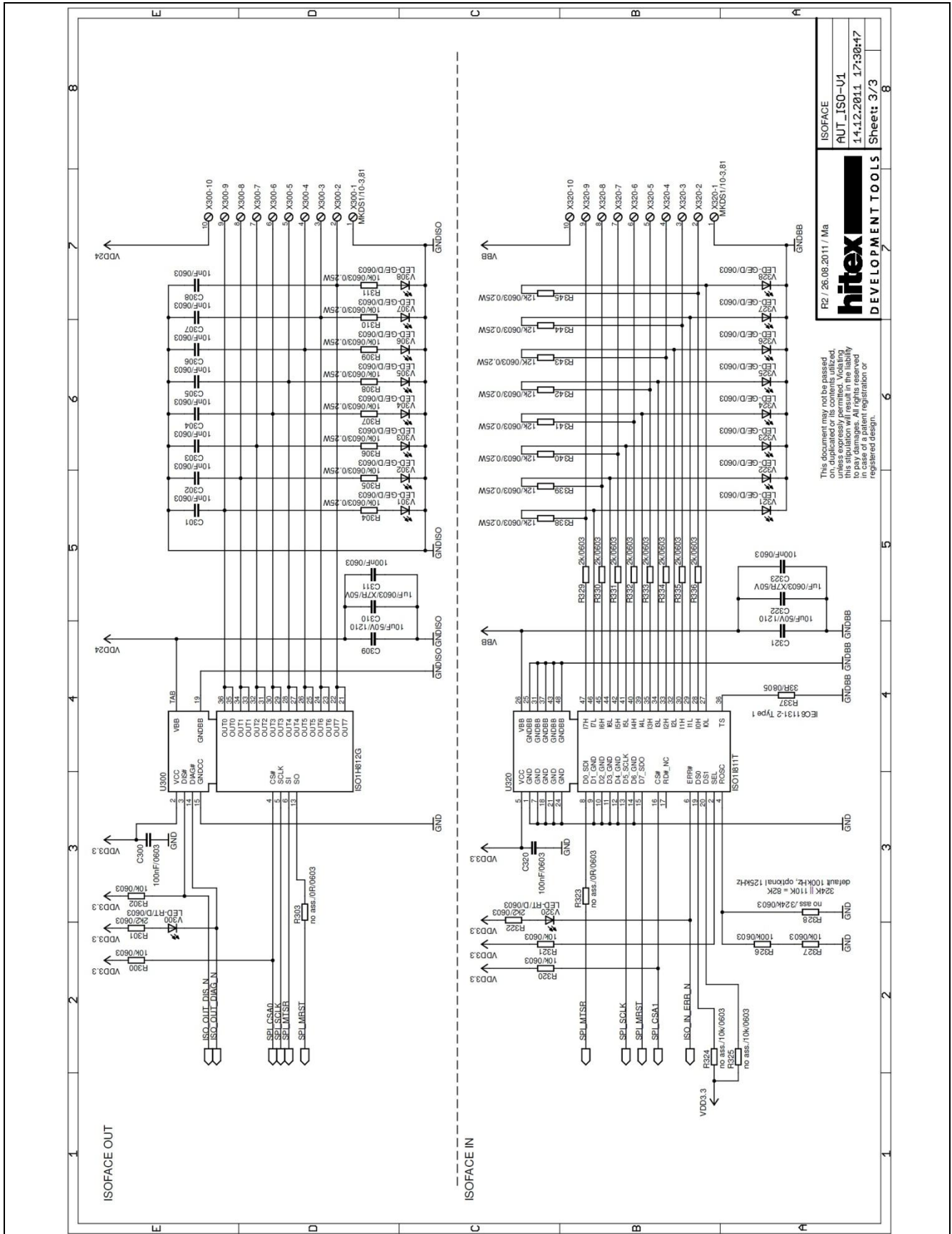


Figure 7 ISOFACE





### 3.3 Bill of Material

Table 9 Automation I/O Card BOM

Pos. No.	Qty	Value	Device	Reference Designator
1	1	0R/0603	Resistor	R254
2	2	1k5/0603	Resistor	R210, R230
3	2	1uF/0603/X7R/50V	Capacitor	C310, C322
4	8	2k/0603	Resistor	R329, R330, R331, R332, R333, R334, R335, R336
5	10	2k2/0603	Resistor	R231, R232, R233, R234, R235, R236, R237, R238, R301, R322
6	5	10k/0603	Resistor	R300, R302, R320, R321, R327
7	8	10k/0603/0.25W	Resistor	R304, R305, R306, R307, R308, R309, R310, R311
8	8	10nF/0603	Capacitor	C301, C302, C303, C304, C305, C306, C307, C308
9	2	10uF/10V/0805	Capacitor	C250, C252
10	2	10uF/50V/1210	Capacitor	C309, C321
11	8	12k/0603/0.25W	Resistor	R338, R339, R340, R341, R342, R343, R344, R345
12	1	33R/0805	Resistor	R337
13	1	47uF/E/50V/6.6	Capacitor UWT1H470MCL1GS Nichicon	C240
14	1	47uF/T/10V/C	Capacitor	C242
15	1	100k/0603	Resistor	R326
16	11	100nF/0603	Capacitor	C200, C202, C230, C241, C244, C245, C253, C300, C311, C320, C323
17	1	100uF/T/10V/C	Capacitor	C243
18	1	680R/0603	Resistor	R211
19	1	B340A-13-F	Diode B340A-13-F Diodes Inc.	V242
20	1	BUCHSE-LP-5A	Connector RAPC722X	X240
21	1	HSEC8-140-01-S-RA	Connector HSEC8-140-01-S-RA Samtec	X200
22	1	IFX1763SJV33	IC IFX1763SJV33 Infineon Technologies	U250
23	1	ISO1H812G	IC ISO1H812G Infineon Technologies	U300
24	1	ISO1I811T	IC ISO1I811T Infineon Technologies	U320
25	24	LED-GE/D/0603	LED	V230, V231, V232, V233, V234, V235, V236, V237, V301, V302, V303, V304, V305, V306, V307, V308, V321, V322, V323, V324, V325, V326, V327, V328
26	2	LED-GN/D/0603	LED	V210, V211

**Table 9 Automation I/O Card BOM**

Pos. No.	Qty	Value	Device	Reference Designator
27	2	LED-RT/D/0603	LED	V300, V320
28	2	MKDS1/10-3,81	Connector MKDS 1/10-3,81 Phoenix 1727094	X300, X320
29	1	PCA9502BS	IC PCA9502BS NXP, HVQFN-24	U230
30	1	WRB2405CS-3W	IC Isolated DC/DC 24V/5V 3W	U240
31	3	no ass./0R/0603	Resistor	R253, R303, R323
32	2	no ass./2k2/0603	Resistor	R220, R221
33	2	no ass./10k/0603	Resistor	R324, R325
34	1	no ass./10nF/0603	Capacitor	C251
35	1	no ass./324k/0603	Resistor	R328
36	12	no ass.	SMD Pads	TP200, TP210, TP211, TP212, TP230, TP231, TP232, TP233, TP234, TP235, TP236, TP237
37	1	no ass.	Pinheader 0.1" TH, Hitex PowerScale	JP242

[www.infineon.com](http://www.infineon.com)

Published by Infineon Technologies AG

## X-ON Electronics

Largest Supplier of Electrical and Electronic Components

*Click to view similar products for [Development Boards & Kits - ARM category](#):*

*Click to view products by [Infineon manufacturer](#):*

Other Similar products are found below :

[SAFETI-HSK-RM48](#) [PICOHOBBITFL](#) [CC-ACC-MMK-2443](#) [EVALSPEAR320CPU](#) [TMDX570LS04HDK](#) [TXSD-SV70](#) [TXSD-SV71](#)  
[YGRPEACHNORMAL](#) [PICODWARFFL](#) [YR8A77450HA02BG](#) [3580](#) [32F3348DISCOVERY](#) [ATTINY1607](#) [CURIOSITY NANO](#)  
[PIC16F15376](#) [CURIOSITY NANO BOARD](#) [PIC18F47Q10](#) [CURIOSITY NANO](#) [VISIONSTK-6ULL V.2.0](#) [80-001428](#) [DEV-17717](#)  
[EAK00360](#) [YR0K77210B000BE](#) [RTK7EKA2L1S00001BE](#) [SLN-VIZN-IOT](#) [LV18F V6 DEVELOPMENT SYSTEM](#) [READY FOR AVR](#)  
[BOARD](#) [READY FOR PIC BOARD](#) [READY FOR PIC \(DIP28\)](#) [AVRPLC16 V6 PLC SYSTEM](#) [MIKROLAB FOR AVR XL](#) [MIKROLAB](#)  
[FOR PIC L](#) [MINI-AT BOARD - 5V](#) [MINI-M4 FOR STELLARIS](#) [MOD-09.Z](#) [BUGGY + CLICKER 2 FOR PIC32MX + BLUETOOT](#) [1410](#)  
[LETS MAKE PROJECT PROGRAM. RELAY PIC](#) [LETS MAKE - VOICE CONTROLLED LIGHTS](#) [LPC-H2294](#) [DSPIC-READY2 BOARD](#)  
[DSPIC-READY3 BOARD](#) [MIKROBOARD FOR ARM 64-PIN](#) [MIKROLAB FOR AVR](#) [MIKROLAB FOR AVR L](#) [MIKROLAB FOR](#)  
[DSPIC](#) [MIKROLAB FOR DSPIC XL](#) [MIKROLAB FOR PIC32](#) [MIKROLAB FOR TIVA](#) [EASYAVR V7](#) [EASYMX PRO FOR TIVA C](#)  
[SERIES](#) [EASYMX PRO V7 FOR STM32](#) [EASYPIC FUSION V7](#)