

## XENSIV™ digital absolute pressure sensor

### Features

- High accuracy pressure sensing ( $\pm 1.0$  kPa), pressure range 60 to 165 kPa
- Operating ambient temperature range  $-40^{\circ}\text{C}$  to  $125^{\circ}\text{C}$
- Best in class low power consumption with dedicated power-down mode for energy saving
- 10-, 12- or 14-bit resolution pressure and temperature values via SPI Interface
- Integrated signal path diagnosis features
- Green, small 4.5 mm x 5.1 mm 8-pin DFN package



### Potential applications

- Automotive barometric air pressure sensor (BAP)
- Automotive manifold air flow sensor (MAF)
- Automotive battery monitoring system (BMS)
- Automotive seat comfort system
- Industrial control
- Weather stations
- Altimeters

### Product validation

Product validation according to AEC-Q103-002. Qualified for automotive applications.

### Description

The KP466 is a high-performance, high-precision miniaturized digital absolute pressure sensor based on a capacitive sensing principle. It is surface micromachined with a monolithic integrated signal conditioning circuit.

The device converts a physical pressure into a 10-, 12- or 14-bit digital value and transmits the information via the SPI interface. In addition, a temperature sensor is integrated on chip. Based on the received SPI command, the 10-, 12- or 14-bit temperature information will also be transmitted via the SPI interface.

The device has implemented a particular Power-Down Mode which allows the user to even reduce the power consumption of the device. A special reliability feature are the integrated diagnostics, which allows testing the sensor cells as well as the signal path. This diagnosis can be triggered with a SPI command.

Product type	Package	Marking	Ordering code
KP466	PG-DFN-8-1	KP466	SP005430044

## Table of contents

	<b>Table of contents</b> .....	2
<b>1</b>	<b>Block diagram</b> .....	4
<b>2</b>	<b>Pin configuration</b> .....	5
<b>3</b>	<b>General product characteristics</b> .....	6
3.1	Absolute maximum ratings .....	6
3.2	Functional range .....	6
<b>4</b>	<b>Product features</b> .....	8
4.1	Characteristics .....	8
4.1.1	Electrical characteristics .....	8
4.1.2	Transfer function pressure characteristics .....	9
4.1.3	Transfer function temperature characteristics .....	10
4.1.4	Undervoltage range characteristics .....	10
4.1.5	SPI timing .....	11
4.2	Functional description .....	12
4.2.1	Transfer function pressure .....	12
4.2.2	Transfer function temperature .....	14
4.2.3	Power-down mode .....	17
4.2.3.1	Entering power-down mode .....	17
4.2.3.2	Exiting power-down mode .....	17
4.2.4	Serial interface .....	17
4.2.4.1	EEPROM programmability .....	18
4.2.4.2	Commands .....	18
4.2.4.3	Command behaviour .....	18
4.2.4.4	Structure .....	18
4.2.4.5	Parity .....	20
4.2.4.6	Command definition .....	20
4.2.4.7	Communication error .....	23
4.2.4.8	Identifier response definition .....	23
4.2.4.9	Single device operation .....	23
4.2.4.10	Daisy chain operation .....	24
4.2.4.11	SPI configuration parameters .....	25
4.2.5	Diagnosis .....	27
4.2.5.1	Diagnosis reset .....	28
4.2.5.1.1	Reset-bit = '1' .....	28
4.2.5.1.2	Reset-bit = '0' .....	29
4.2.5.2	Pressure out of range .....	29
4.2.5.3	Diag1 .....	29
4.2.5.4	Diag2 .....	29

4.2.5.5	EEPROM check .....	30
4.2.6	Calculation of overall power consumption .....	30
4.2.7	Start-up behavior .....	30
<b>5</b>	<b>Application information</b> .....	<b>31</b>
<b>6</b>	<b>Package</b> .....	<b>32</b>
6.1	Identification code .....	33
<b>7</b>	<b>Revision history</b> .....	<b>35</b>
	<b>Disclaimer</b> .....	<b>36</b>

# 1 Block diagram

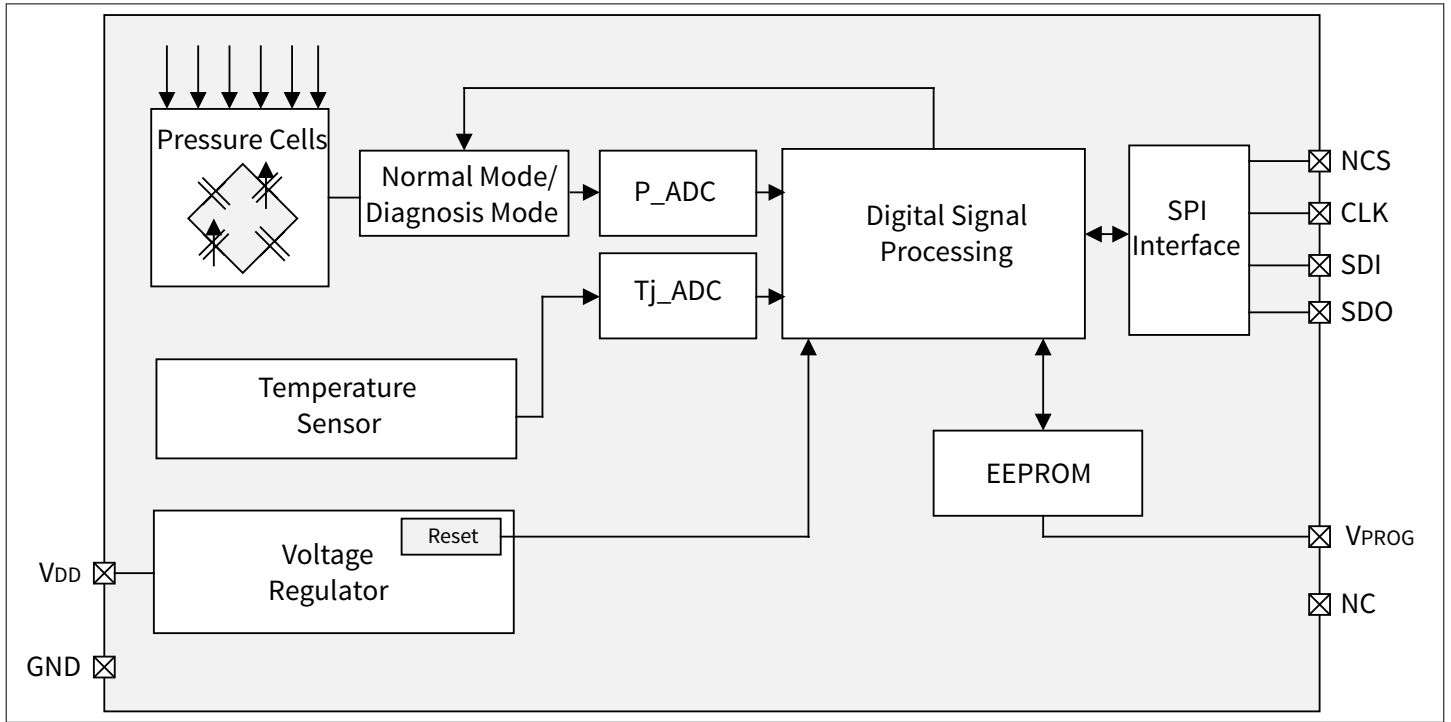
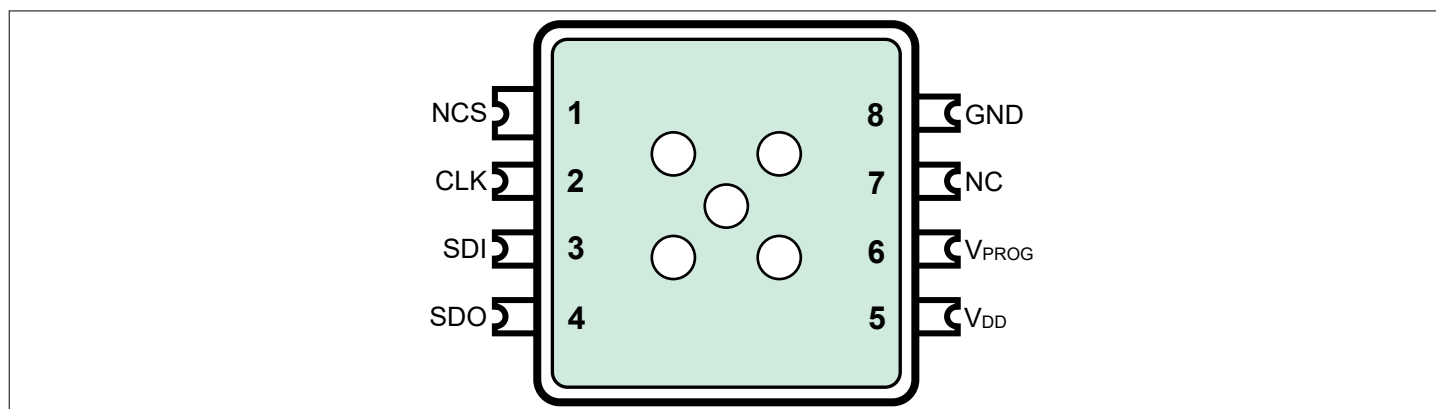


Figure 1 Functional block diagram

## 2 Pin configuration

The figure below defines the pin configuration of the device.



**Figure 2** Pin configuration (top view, figure not to scale)

The table below shows the pin description.

**Table 1** Pin description

Pin No.	Name	Function	Comment
1	NCS	Not-Chip-Select (active-low)	Communication is enabled when NCS is low
2	CLK	Serial Clock	External clock for serial communication
3	SDI	Serial Data In	Serial data input (e.g. from a controller)
4	SDO	Serial Data Out	Tri-state serial data output
5	V <sub>DD</sub>	Supply voltage	–
6	V <sub>PROG</sub>	Programming Voltage	Only required during EEPROM programming and Programming Mode entering
7	NC	Not connected	Pin is not bonded
8	GND	Ground	–

### 3 General product characteristics

#### 3.1 Absolute maximum ratings

**Table 2** Absolute maximum ratings

Parameter	Symbol	Values			Unit	Note or condition
		Min.	Typ.	Max.		
Maximum supply voltage range	$V_{DD\_max}$	-0.3	-	5.5	V	
Maximum voltage range on any pin	$V_{in\_max}$	-0.3	-	5.5	V	
Maximum voltage range on any pin (short term)	$V_{in\_max\_short}$	-0.3	-	6.0	V	Limited time: Max. 300s
Maximum voltage range at output pins	$V_{out\_max}$	-0.3	-	$V_{DD} + 0.3$	V	
Storage temperature	$T_S$	-40	-	150	°C	
Maximum input pressure range	$P_{amb\_max}$	10	-	300	kPa	
Maximum input pressure range (short term)	$P_{amb\_max\_short}$	10	-	600	kPa	Limited time: Max. 300s
ESD robustness - HBM	$V_{ESD\_HBM}$	-2000	-	2000	V	According to ANSI/ESDA/JEDEC JS-001
ESD robustness pins 1, 4, 5, 8 - CDM	$V_{ESD\_CDMc}$	-750	-	750	V	According to ANSI/ESDA/JEDEC JS-002
ESD robustness pins 2, 3, 6, 7 - CDM	$V_{ESD\_CDMo}$	-500	-	500	V	According to ANSI/ESDA/JEDEC JS-002

**Attention:** Stresses above those listed under “Absolute Maximum Ratings” may cause permanent damage to the device. This is a stress rating only and functional operation of the device at these or any other conditions above those indicated in the section “functional range” of this data sheet is not implied. Furthermore, only single error cases are assumed. More than one stress/error case may also damage the device. Exposure to absolute maximum rating conditions for extended periods may affect device reliability. During absolute maximum rating overload conditions the voltage on VDD pins with respect to ground (GND) must not exceed the values defined by the absolute maximum ratings. Lifetime statements are an anticipation based on an extrapolation of Infineon’s qualification test results. The actual lifetime of a component depends on its form of application and type of use etc. and may deviate from such statement. Lifetime statements shall in no event extend the agreed warranty period.

#### 3.2 Functional range

The following functional range must not be exceeded in order to ensure correct operation of the device. All parameter specified in the following sections refer to these operation conditions unless otherwise indicated.

**Table 3**                    **Functional range**

Parameter	Symbol	Values			Unit	Note or condition
		Min.	Typ.	Max.		
Supply voltage	$V_{DD}$	3.0	–	5.25	V	
Supply undervoltage	$V_{DD\_UV}$	$V_{UVR\_max}$	–	$V_{DD\_min}$	V	Undervoltage range, reduced performance (see <a href="#">Characteristics in Undervoltage Range</a> )
Supply voltage power up/power down gradient	$V_{grad}$	1E-5	–	1E4	V/ms	
Input voltage for high level at pins NCS, CLK & SDI	$V_{high\_in}$	1.8	–	$V_{DD} + 0.3$	V	Not valid in Power-Down mode
Input voltage for high level at pins NCS, CLK & SDI (Power-Down mode)	$V_{high\_in\_pd}$	2.3	–	$V_{DD} + 0.3$	V	Not valid during normal operation
Input voltage for low level at pins NCS, CLK & SDI	$V_{low\_in}$	-0.3	–	0.8	V	
Output voltage for low level at pin SDO	$V_{low\_out}$	–	–	0.4	V	Test current (sink) at pin SDO is 2.0mA
Output voltage for high level at pin SDO	$V_{high\_out}$	$V_{DD} - 0.4$	–	$V_{DD}$	V	Test current (source) at pin SDO is 2.0mA
Ambient operating temperature range	$T_a$	-40	–	125	°C	
Thermal resistance (junction-ambient)	$R_{thJA}$	250	–	350	K/W	Thermal resistance between die and $T_{amb}$ (measured acc. JESD51-2)

## 4 Product features

### 4.1 Characteristics

#### 4.1.1 Electrical characteristics

**Table 4** Electrical characteristics

Parameter	Symbol	Values			Unit	Note or condition
		Min.	Typ.	Max.		
Undervoltage reset/ release level	$V_{UVR}$	2.1	–	2.7	V	
Undervoltage reset hysteresis	$V_{UVR\_Hyst}$	100	–	300	mV	
Supply current into VDD	$I_{VDD}$	–	–	5	mA	Without SPI communication
Supply current into VDD during power-down mode (quiescent current)	$I_{VDD\_PD}$	–	–	10	$\mu$ A	
Pressure signal path settling time	$t_{path\_pres}$	–	–	5	ms	Pressure accuracy within specification
Temperature signal path settling time	$t_{path\_temp}$	–	–	5	ms	Temperature accuracy within specification
Start-up time (with self diagnosis)	$t_{start-up\_wd}$	–	–	10	ms	No SPI communication possible After $t_{start-up\_wd}$ within full specification Configuration Parameter $power\_up_{diag\_en} = 1$
Start-up time (without self diagnosis)	$t_{start-up\_wod}$	–	–	5	ms	No SPI communication possible After $t_{start-up\_wod}$ within full specification Configuration Parameter $power\_up_{diag\_en} = 0$
Power down wake- up time (with self diagnosis)	$t_{PD\_start-up\_wd}$	–	–	10	ms	Configuration Parameter $wup_{diag\_en} = 1$
Power down wake- up time (without self diagnosis)	$t_{PD\_start-up\_wod}$	–	–	5	ms	Configuration Parameter $wup_{diag\_en} = 0$
Capacitive load at pins NCS, CLK & SDI	$C_{load\_in}$	–	–	14	pF	
Capacitive load at pin SDO	$C_{load\_out}$	–	–	19	pF	

(table continues...)



**Table 4** (continued) Electrical characteristics

Parameter	Symbol	Values			Unit	Note or condition
		Min.	Typ.	Max.		
Tri-state leakage current	$I_{SDO}$	-5	-	5	$\mu\text{A}$	NCS = high $V_{DD} = 5\text{V}$
Hysteresis of input voltage at pins NCS, CLK & SDI	$V_{SPL\_Hys}$	100	-	-	mV	
Current sink for NCS, CLK & SDI (each pin) - $V_{low\_in}$	$I_{SPL\_in}$	-100	-	-5	$\mu\text{A}$	$V_{low\_in} = 0\text{V}$ No back biasing Not valid in Power-Down mode
Current sink for NCS, CLK & SDI (each pin) - $V_{high\_in}$	$I_{SPL\_in}$	-	-	5	$\mu\text{A}$	$V_{high\_in} = 5\text{V}$ No back biasing

### 4.1.2 Transfer function pressure characteristics

**Table 5** Transfer function pressure characteristics

Parameter	Symbol	Values			Unit	Note or condition
		Min.	Typ.	Max.		
Ambient operating pressure range	$p_{amb}$	60	-	165	kPa	
Accuracy pressure central temperature range	$acc_{p\_Tmid}$	-1.0	-	1.0	kPa	$T_a = 0^\circ\text{C}$ to $85^\circ\text{C}$ ; additional drift from specifications for 24 hours after reflow soldering.
Accuracy pressure low temperature range	$acc_{p\_Tlow}$	-1.5	-	1.5	kPa	$T_a = -20^\circ\text{C}$ ; additional drift from specifications for 24 hours after reflow soldering.
Accuracy pressure low 2 temperature range	$acc_{p\_Tlow2}$	-4.0	-	4.0	kPa	$T_a = -40^\circ\text{C}$ ; additional drift from specifications for 24 hours after reflow soldering.
Accuracy pressure high temperature range	$acc_{p\_Thigh}$	-2.0	-	2.0	kPa	$T_a = 125^\circ\text{C}$ ; additional drift from specifications for 24 hours after reflow soldering.

**Note:** Drift from specifications after reflow soldering or when device is exposed to extreme temperature conditions for a maximum duration of 24h after reflow soldering in standard conditions ( $25^\circ\text{C}$ ,  $100\text{kPa}$ ).

**Attention:** The device is sensitive to light incident to the pressure port. All specifications are valid for an illuminance of less than 1 lx.

### 4.1.3 Transfer function temperature characteristics

**Table 6** Transfer function temperature characteristics

Parameter	Symbol	Values			Unit	Note or condition
		Min.	Typ.	Max.		
Accuracy temperature low	$acc_{T\_low}$	-5.0	–	5.0	°C	$T_a = -40^{\circ}\text{C}$ to $25^{\circ}\text{C}$ After device self-heating within $acc_{T\_low}$
Accuracy temperature central	$acc_{T\_cen}$	-3.0	–	3.0	°C	$T_a = 25^{\circ}\text{C}$ to $85^{\circ}\text{C}$ ; After device self-heating within $acc_{T\_cen}$
Accuracy temperature high	$acc_{T\_high}$	-3.5	–	3.5	°C	$T_a = 85^{\circ}\text{C}$ to $T_{a\_max}$ ; After device self-heating within $acc_{T\_high}$

### 4.1.4 Undervoltage range characteristics

**Table 7** Undervoltage range characteristics

Parameter	Symbol	Values			Unit	Note or condition
		Min.	Typ.	Max.		
Clock frequency of SPI interface	$f_{SPI}$	0.1	–	2.5	MHz	Undervoltage range $V_{DD\_UV}$
Accuracy pressure central temperature range	$acc_{p\_Tmid}$	-2.0	–	2.0	kPa	$T_a = 0^{\circ}\text{C}$ to $85^{\circ}\text{C}$ Undervoltage range $V_{DD\_UV}$
Accuracy pressure low temperature range	$acc_{p\_Tlow}$	-3.0	–	3.0	kPa	$T_a = -20^{\circ}\text{C}$ to $0^{\circ}\text{C}$ Undervoltage range $V_{DD\_UV}$
Accuracy pressure low 2 temperature range	$acc_{p\_Tlow2}$	-8.0	–	8.0	kPa	$T_a = -40^{\circ}\text{C}$ to $-20^{\circ}\text{C}$ Undervoltage range $V_{DD\_UV}$
Accuracy pressure high temperature range	$acc_{p\_Thigh}$	-4.0	–	4.0	kPa	$T_a = 85^{\circ}\text{C}$ to $125^{\circ}\text{C}$ Undervoltage range $V_{DD\_UV}$
Output voltage for low level at pin SDO	$V_{low\_out}$	–	–	0.4	V	Test current (sink) at pin SDO is 1.5mA Undervoltage range $V_{DD\_UV}$
Output voltage for high level at pin SDO	$V_{high\_out}$	$V_{DD} - 0.4$	–	$V_{DD}$	V	Test current (source) at pin SDO is 1.5mA Undervoltage range $V_{DD\_UV}$

### 4.1.5 SPI timing

**Table 8** SPI timing

Parameter	Symbol	Values			Unit	Note or condition
		Min.	Typ.	Max.		
Clock frequency of SPI interface	$f_{SPI}$	0.1	–	5	MHz	
Transition speed at SDO (low capacitive load)	$t_{SDO\_trans\_l}$	5	–	30	ns	$V_{DD} = 5V$ $C_{load} = 50pF$ Rising edge = 20% - 80% Falling edge = 80% - 20%
Transition speed at SDO (high capacitive load)	$t_{SDO\_trans\_h}$	5	–	50	ns	$V_{DD} = 5V$ $C_{load} = 150pF$ Rising edge = 20% - 80% Falling edge = 80% - 20%
Clock high time	$t_{clh}$	75	–	–	ns	
Clock low time	$t_{cll}$	75	–	–	ns	
NCS filter time	$t_{fNCS}$	10	–	60	ns	Pulses below the NCS filter time will be ignored
Delay between NCS falling edge and SDO active	$t_{csdv}$	–	–	75	ns	
Delay between CLK rising edge and start SDO data	$t_{pclD}$	–	–	50	ns	CLK to data at 10% of SDO rising edge $C_{load} = 120pF$
Delay between CLK low and start NCS low	$t_{sclch}$	75	–	–	ns	
Delay between NCS low and rising edge 1st CLK pulse	$t_{hclcl}$	75	–	–	ns	
Time between start SDI data and falling edge CLK	$t_{sclD}$	15	–	–	ns	
Time between falling edge CLK and end SDI data	$t_{hclD}$	15	–	–	ns	
Delay between falling edge last CLK pulse and rising edge NCS	$t_{sclcl}$	100	–	–	ns	

**(table continues...)**

**Table 8** (continued) SPI timing

Parameter	Symbol	Values			Unit	Note or condition
		Min.	Typ.	Max.		
Delay between rising edge NCS and rising edge CLK pulse	$t_{hclch}$	100	–	–	ns	
Delay between rising edge NCS and end SDO data	$t_{pchdz}$	–	–	75	ns	
Time between rising edge NCS and falling edge next NCS	$t_{onncs}$	300	–	–	ns	
Minimum input rise/fall time	$t_{SPI\_switch}$	–	–	2	ns	20% - 80% at SDI, CLK, NCS
Maximum output over-/undershoot	$V_{SDO\_ovun}$	-200	–	200	mV	$V_{DD} = 5V$ $C_{load} = 150pF$ Trace inductance < 400nH
Valid pressure/temperature value after trigger diagnostic command	$t_{diag\_wait}$	–	–	10	ms	

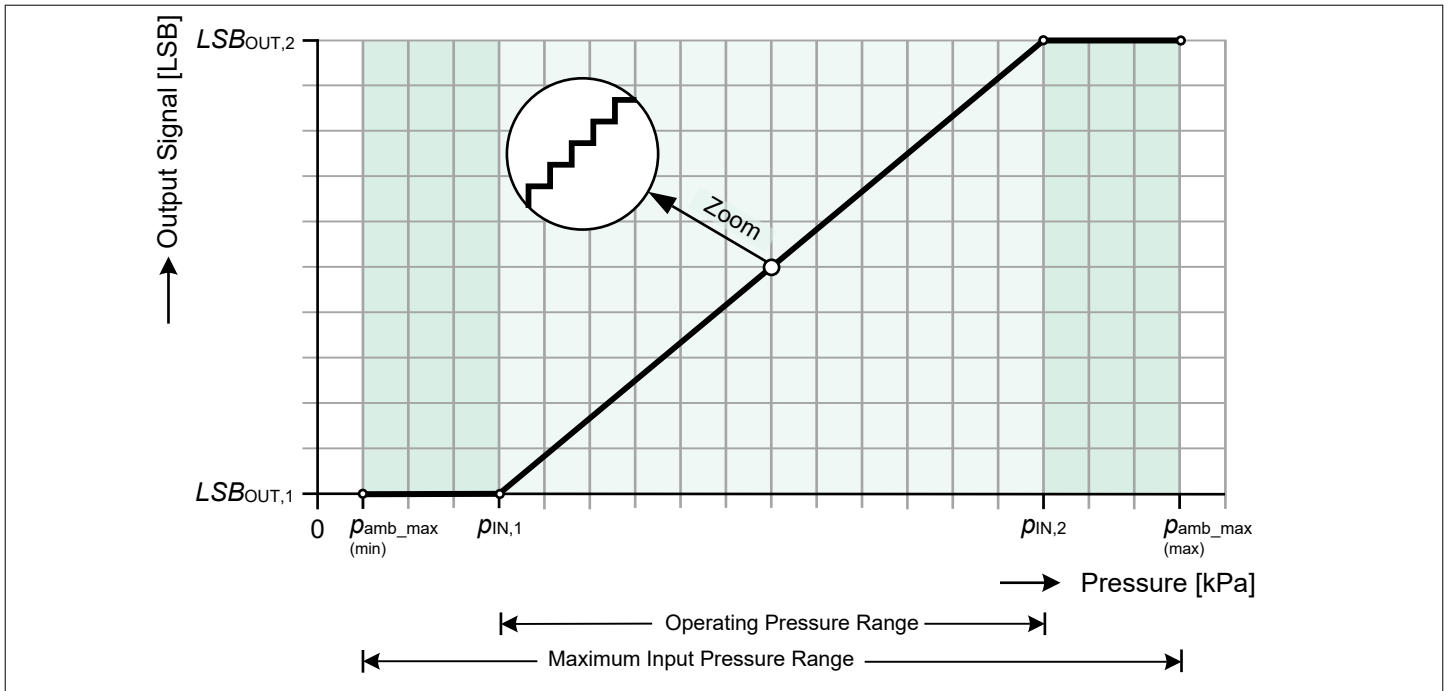
## 4.2 Functional description

### 4.2.1 Transfer function pressure

The KP46x pressure calibration is adjusted with the parameters  $S_p$  and  $offs_p$ . The formula in order to calculate the ambient pressure based on these parameters and the sensor output is shown below:

$$p_{amb} = \frac{(out_p - offs_p)}{S_p} \quad (1)$$

The KP46x device is fully calibrated on delivery. The sensor has a linear transfer function between the applied pressure and the digital output signal. The device provides an absolute pressure value by triggering the [Acquire Pressure Command](#).



**Figure 3** Pressure transfer function

**Table 9** Pressure transfer function characteristics (10-bit)

Pressure			Output Code		
Symbol	Values (Typ.)	Unit	Symbol	Values (Typ.)	Unit
$\rho_{IN,1}$	60	kPa	$LSB_{OUT,1}$	0	LSB
$\rho_{IN,2}$	165	kPa	$LSB_{OUT,2}$	1023	LSB

**Table 10** Gain and offset pressure transfer function (10-bit)

**Gain and Offset**

Symbol	Values (Typ.)	Unit
$S_p$	9.74	LSB/kPa
$offs_p$	-584.1	LSB

**Table 11** Pressure transfer function characteristics (12-bit)

Pressure			Output Code		
Symbol	Values (Typ.)	Unit	Symbol	Values (Typ.)	Unit
$\rho_{IN,1}$	60	kPa	$LSB_{OUT,1}$	0	LSB
$\rho_{IN,2}$	165	kPa	$LSB_{OUT,2}$	4095	LSB

**Table 12** Gain and offset pressure transfer function (12-bit)

**Gain and Offset**

Symbol	Values (Typ.)	Unit
$S_p$	39	LSB/kPa

(table continues...)

**Table 12** (continued) Gain and offset pressure transfer function (12-bit)

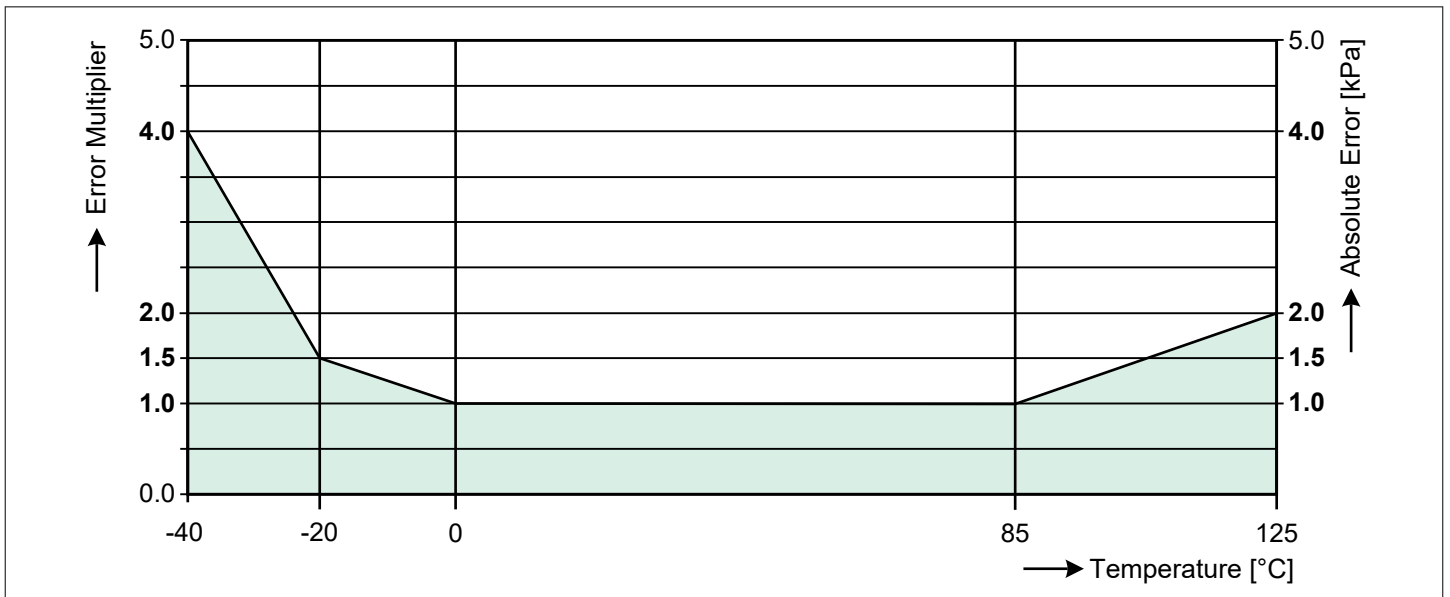
Gain and Offset		
$offs_p$	-2340	LSB

**Table 13** Pressure transfer function characteristics (14-bit)

Pressure			Output Code		
Symbol	Values (Typ.)	Unit	Symbol	Values (Typ.)	Unit
$p_{IN,1}$	60	kPa	$LSB_{OUT,1}$	0	LSB
$p_{IN,2}$	165	kPa	$LSB_{OUT,2}$	16383	LSB

**Table 14** Gain and offset pressure transfer function (14-bit)

Gain and Offset		
Symbol	Values (Typ.)	Unit
$S_p$	156.03	LSB/kPa
$offs_p$	-9361.71	LSB



**Figure 4** Accuracy for pressure acquisition

### 4.2.2 Transfer function temperature

The KP46x temperature calibration is adjusted with the parameters  $S_T$  and  $offs_T$ . The formula in order to calculate the ambient temperature based on these parameters and the sensor output is shown below:

$$T_{amb} = \frac{(out_T - offs_T)}{S_T} \quad (2)$$

The KP46x device is fully calibrated on delivery. The sensor has a linear transfer function between the applied temperature and the digital output signal. The device provides an ambient temperature value by triggering the [Acquire Temperature Command](#).

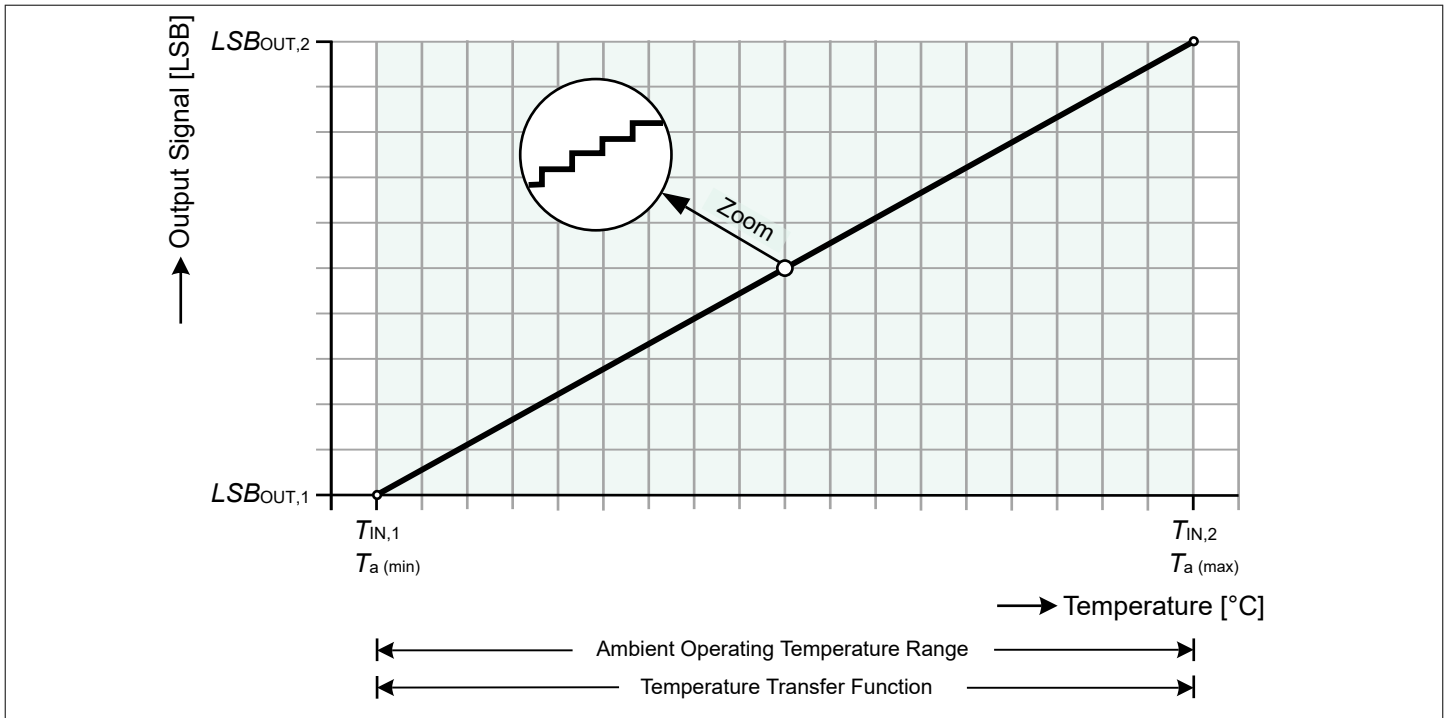


Figure 5 Temperature transfer function

Table 15 Temperature transfer function characteristics (10-bit)

kp25x <sub>t_compat</sub>	vdd <sub>range</sub>	V <sub>DD</sub>		Temperature			Output Code		
		Bit	Values (Typ.)	Unit	Symbol	Values (Typ.)	Unit	Symbol	Values (Typ.)
0	0	3.3	V	T <sub>IN,1</sub>	-40	°C	LSB <sub>OUT,1</sub>	0	LSB
				T <sub>IN,2</sub>	125	°C	LSB <sub>OUT,2</sub>	1023	LSB
		5.0	V	T <sub>IN,1</sub>	-40	°C	LSB <sub>OUT,1</sub>	0	LSB
				T <sub>IN,2</sub>	125	°C	LSB <sub>OUT,2</sub>	1023	LSB
1	-	3.3	V	T <sub>IN,1</sub>	-38.5	°C	LSB <sub>OUT,1</sub>	0	LSB
				T <sub>IN,2</sub>	126.5	°C	LSB <sub>OUT,2</sub>	1023	LSB
	-	5.0	V	T <sub>IN,1</sub>	-40	°C	LSB <sub>OUT,1</sub>	0	LSB
				T <sub>IN,2</sub>	125	°C	LSB <sub>OUT,2</sub>	1023	LSB

Table 16 Gain and offset of temperature transfer function (10bit)

kp25x <sub>t_compat</sub>	V <sub>DD</sub>		Gain and offset		
	Values (Typ.)	Unit	Symbol	Values (Typ.)	Unit
1	3.3 / 5.0	V	S <sub>T</sub>	6.2	LSB/°C
	5.0		offs <sub>T_5.0</sub>	248	LSB
	3.3		offs <sub>T_3.3</sub>	238.7	LSB
0	3.3 / 5.0	V	S <sub>T</sub>	6.2	LSB/°C
			offs <sub>T</sub>	248	LSB

**Table 17 Temperature transfer function characteristics (12-bit)**

$kp25x_{t\_compat}$	$vdd_{range}$	$V_{DD}$		Temperature			Output Code		
Bit	Bit	Values (Typ.)	Unit	Symbol	Values (Typ.)	Unit	Symbol	Values (Typ.)	Unit
0	0	3.3	V	$T_{IN,1}$	-40	°C	$LSB_{OUT,1}$	0	LSB
				$T_{IN,2}$	125	°C	$LSB_{OUT,2}$	4095	LSB
	1	5.0	V	$T_{IN,1}$	-40	°C	$LSB_{OUT,1}$	0	LSB
				$T_{IN,2}$	125	°C	$LSB_{OUT,2}$	4095	LSB
1	-	3.3	V	$T_{IN,1}$	-38.5	°C	$LSB_{OUT,1}$	0	LSB
				$T_{IN,2}$	126.5	°C	$LSB_{OUT,2}$	4095	LSB
	-	5.0	V	$T_{IN,1}$	-40	°C	$LSB_{OUT,1}$	0	LSB
				$T_{IN,2}$	125	°C	$LSB_{OUT,2}$	4095	LSB

**Table 18 Gain and offset of temperature transfer function (12bit)**

$kp25x_{t\_compat}$	$V_{DD}$		Gain and offset		
Bit	Values (Typ.)	Unit	Symbol	Values (Typ.)	Unit
1	3.3 / 5.0	V	$S_T$	24.82	LSB/°C
	5.0		$offs_{T_{5.0}}$	992.73	LSB
	3.3		$offs_{T_{3.3}}$	955.5	LSB
0	3.3 / 5.0	V	$S_T$	24.82	LSB/°C
			$offs_T$	992.73	LSB

**Table 19 Temperature transfer function characteristics (14-bit)**

$kp25x_{t\_compat}$	$vdd_{range}$	$V_{DD}$		Temperature			Output Code		
Bit	Bit	Values (Typ.)	Unit	Symbol	Values (Typ.)	Unit	Symbol	Values (Typ.)	Unit
0	0	3.3	V	$T_{IN,1}$	-40	°C	$LSB_{OUT,1}$	0	LSB
				$T_{IN,2}$	125	°C	$LSB_{OUT,2}$	16383	LSB
	1	5.0	V	$T_{IN,1}$	-40	°C	$LSB_{OUT,1}$	0	LSB
				$T_{IN,2}$	125	°C	$LSB_{OUT,2}$	16383	LSB
1	-	3.3	V	$T_{IN,1}$	-38.5	°C	$LSB_{OUT,1}$	0	LSB
				$T_{IN,2}$	126.5	°C	$LSB_{OUT,2}$	16383	LSB
	-	5.0	V	$T_{IN,1}$	-40	°C	$LSB_{OUT,1}$	0	LSB
				$T_{IN,2}$	125	°C	$LSB_{OUT,2}$	16383	LSB

**Table 20 Gain and offset of temperature transfer function (14bit)**

$kp25x_{t\_compat}$	$V_{DD}$		Gain and offset		
Bit	Values (Typ.)	Unit	Symbol	Values (Typ.)	Unit

(table continues...)



**Table 20** (continued) Gain and offset of temperature transfer function (14bit)

$kp25x_t\_compat$	$V_{DD}$		Gain and offset		
1	3.3 / 5.0	V	$S_T$	99.29	LSB/°C
	5.0		$offs_{T\_5.0}$	3971.64	LSB
	3.3		$offs_{T\_3.3}$	3822.7	LSB
0	3.3 / 5.0	V	$S_T$	99.29	LSB/°C
			$offs_T$	3971.64	LSB

### 4.2.3 Power-down mode

The KP46x has implemented a special power saving feature called the power-down mode. The sensor will enter a power-down state where the power consumption is drastically reduced. For current consumption during power-down mode, see parameter  $I_{VDD\_PD}$  (see in table [Electrical characteristics](#)).

#### 4.2.3.1 Entering power-down mode

The device enters the power-down mode when the [Trigger Power-Down Mode Command](#) command is received via the SPI interface.

#### 4.2.3.2 Exiting power-down mode

To wake-up the sensor from the power-down mode the NCS pin needs to be low during the rising edge of the CLK pin.

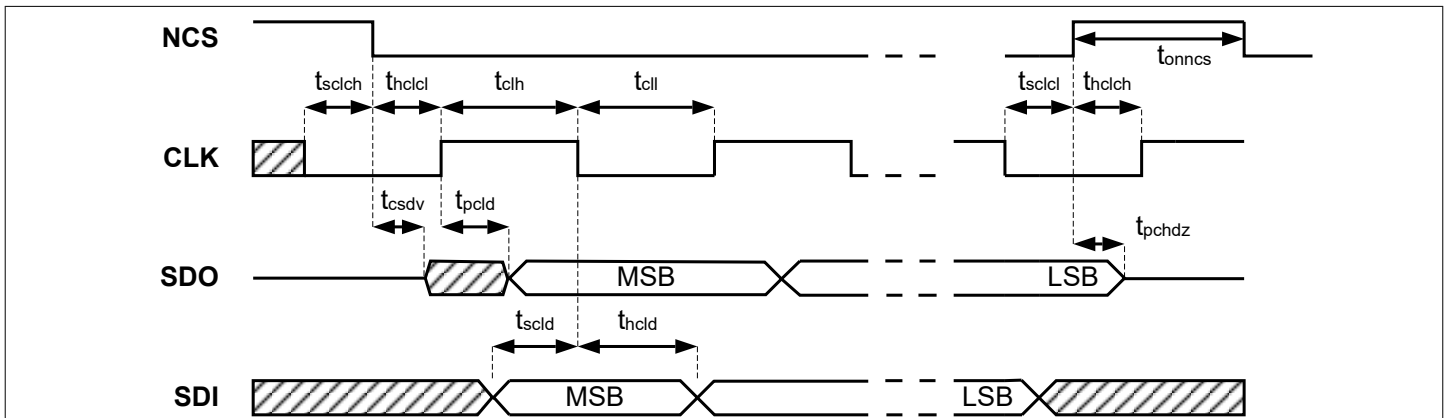
*Note:* If the sensor is in the power-down state then the next command triggers the wake-up process (NCS must be low in combination with a rising CLK edge).

To allow repowering of the sensor after the wake-up from power-down mode, the user needs to wait the time  $t_{start-up}$  (see in table [Electrical characteristics](#)) before sending the first SPI command (e.g. [Acquire Pressure Command](#)).

*Note:* The response of the sensor during this first command must be ignored in case a command was part of the NCS and CLK wake-up sequence. With the next SPI command the response from the first command will be returned.

### 4.2.4 Serial interface

The communication and data transmission is based on a standard 16 bit serial peripheral interface (SPI). The SPI timing and the associated timing parameters are shown below:



**Figure 6** SPI timing

When NCS is high, SDO is let in a high impedance state (no SPI communication is possible).

When the number of CLK period is different from 0 or multiple of 16, next SPI answer signalizes a communication error.

In case of no CLK edge when NCS is low, the transfer is considered as valid. The answer of last command is sent during next transfer.

The device is able to send a unique ID number, upon request. This Traceability-ID makes sure that all numbers for KP46x family are unique.

#### 4.2.4.1 EEPROM programmability

The following parts of the EEPROM are user programmable via the SPI interface:

- Identifier response (spi\_id: bit 0-7)
- SPI interface configuration:
  - $kp25x_{res\_compat}$
  - $vdd_{range}$
  - $kp25x_{t\_compat}$
- Start-up self diagnostics:
  - $wup_{diag\_en}$
  - $power\_up_{diag\_en}$

#### 4.2.4.2 Commands

The following commands are defined:

- Acquire identifier
- Acquire pressure (incl. the diagnosis pressure out of range, EEPROM check and last updated Diag1 & Diag2)<sup>1)</sup>
- Acquire temperature (incl. the diagnosis pressure out of range, EEPROM check and last updated Diag1 & Diag2)<sup>1)</sup>
- Trigger Power-Down mode (activates the power-down state)
- Trigger diagnosis (triggers Diag1, Diag2)
- Trigger programming mode (entry into programming mode only occurs with a high voltage level (>10V) on pin V<sub>PROG</sub>)

<sup>1)</sup> Last updated diagnosis information is only available if the Trigger Diagnosis Command (see [Chapter 4.2.4.6](#)) was sent at any time before and the diagnostic reset is not active (Reset-bit C12 = '1').

#### 4.2.4.3 Command behaviour

The answer of the command sent in SPI frame N will be send in next SPI frame (N+1).

When a command (N) is sent and the processing of the previous command (N-1) has not finalized, the last command (N) will not interrupt the processing.

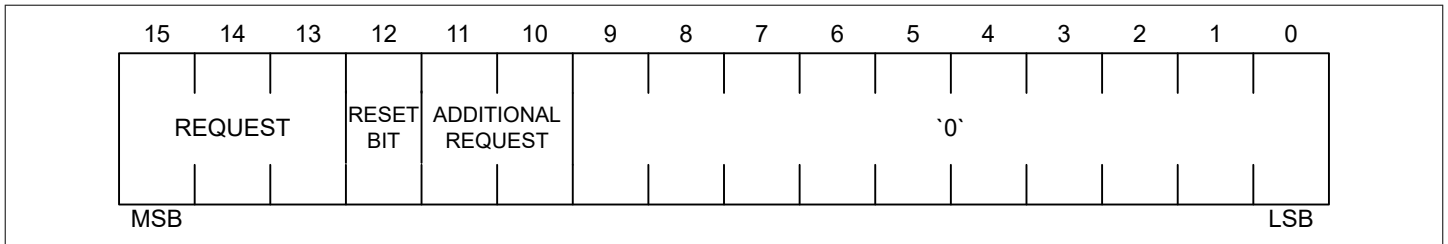
The diagnosis command triggers the Diag1 and Diag2 measurement; during the execution of the self diagnosis the pressure values (including out of range information) will not be updated.

The first answer of the sensor after power-on or reset is the identifier response (see [Chapter 4.2.4.8](#)) independent from the command.

#### 4.2.4.4 Structure

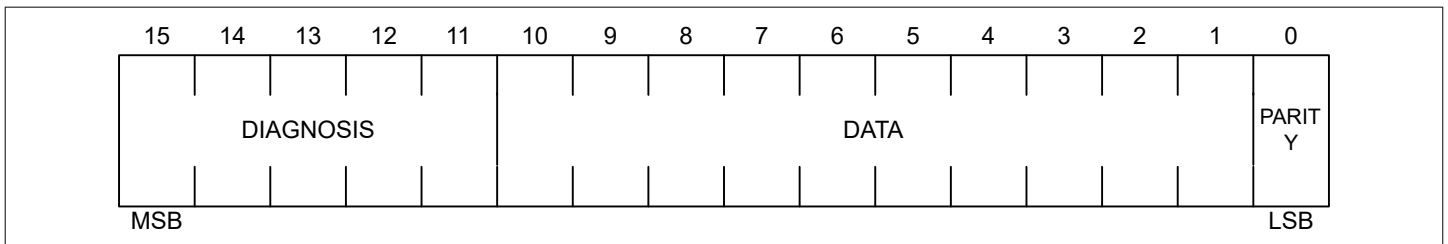
The following structure is defined for an SPI command:

**4 Product features**



**Figure 7 SPI command structure**

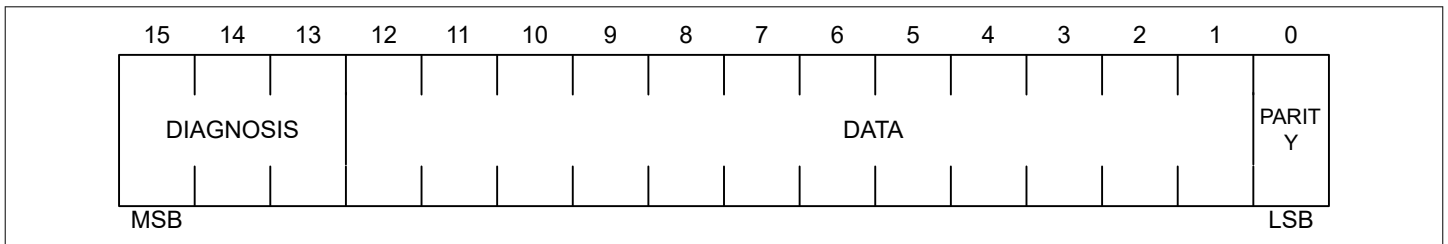
The following structure is defined for a 10-bit SPI response:



**Figure 8 SPI response structure (10-bit)**

This response structure is valid for the Acquire Pressure Command (10-bit), Acquire Temperature Command (10-bit) and Trigger Diagnosis Command (10-bit).

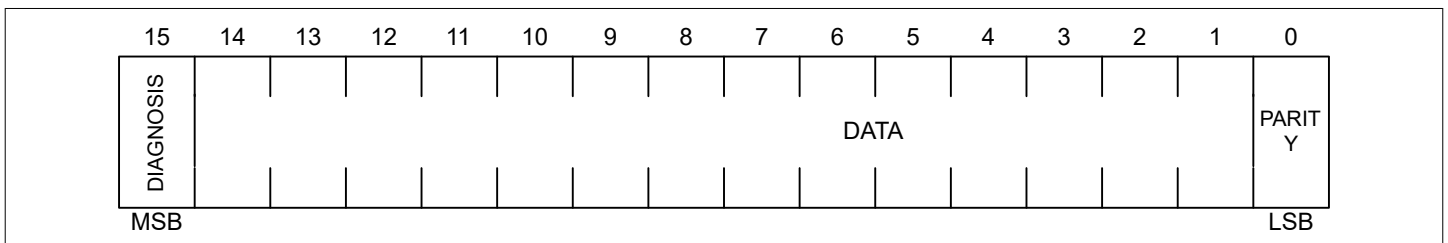
The following structure is defined for a 12-bit SPI response:



**Figure 9 SPI response structure (12-bit)**

This response structure is valid for the Acquire Pressure Command (12-bit), Acquire Temperature Command (12-bit) and Trigger Diagnosis Command (12-bit).

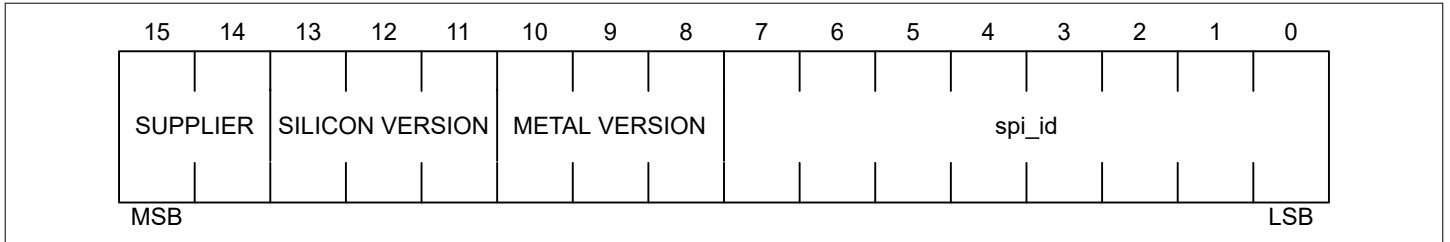
The following structure is defined for a 14-bit SPI response:



**Figure 10 SPI response structure (14-bit)**

This response structure is valid for the Acquire Pressure Command (14-bit), Acquire Temperature Command (14-bit) and Trigger Diagnosis Command (14-bit).

The following structure is defined for a SPI response for identifier:



**Figure 11** SPI response structure for identifier

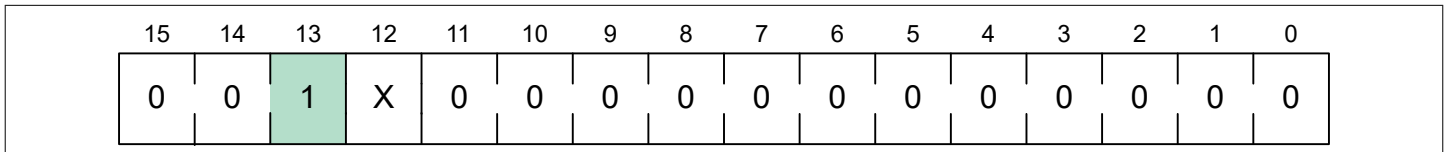
#### 4.2.4.5 Parity

The following SPI responses include an odd parity (LSB, [0]):

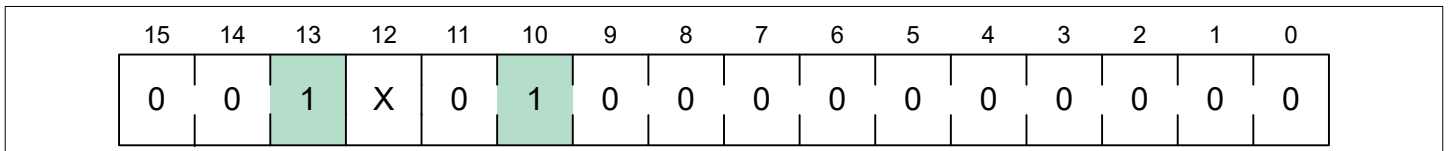
- Acquire Pressure
- Acquire Temperature
- Trigger Diagnosis
- Communication Error

The number of bits with the value one in the 16 bit response is odd (including the parity bit).

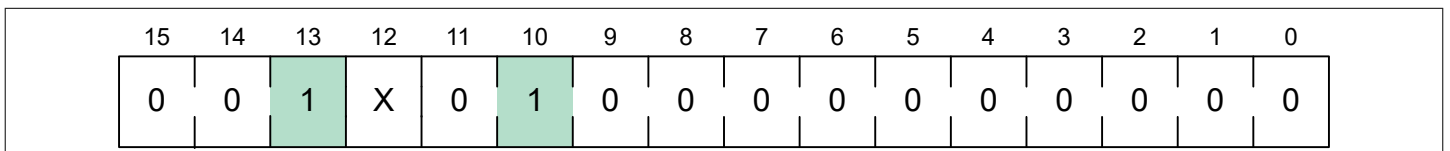
#### 4.2.4.6 Command definition



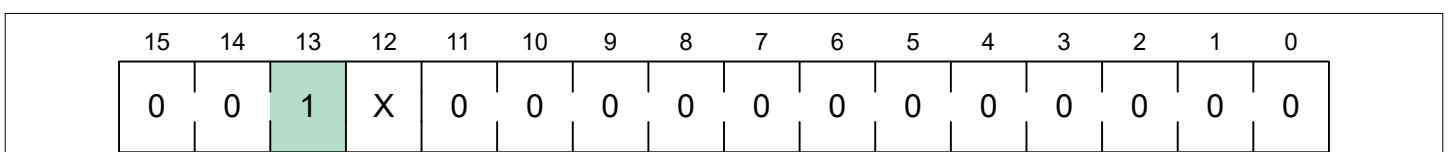
**Figure 12** Acquire pressure command (10-bit) for  $kp25x_{res\_compat} = 0$



**Figure 13** Acquire pressure command (10-bit) for  $kp25x_{res\_compat} = 1$



**Figure 14** Acquire pressure command (12-bit) for  $kp25x_{res\_compat} = 0$



**Figure 15** Acquire pressure command (12-bit) for  $kp25x_{res\_compat} = 1$

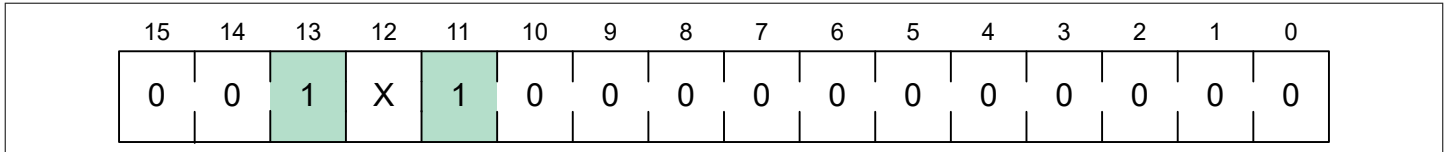


Figure 16 Acquire pressure command (14-bit)

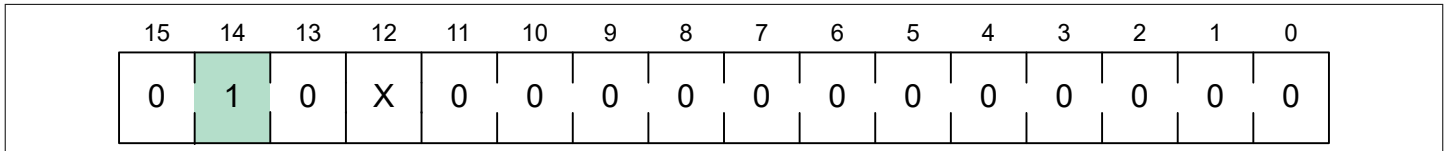


Figure 17 Acquire temperature command (10-bit) for  $kp25x_{res\_compat} = 0$

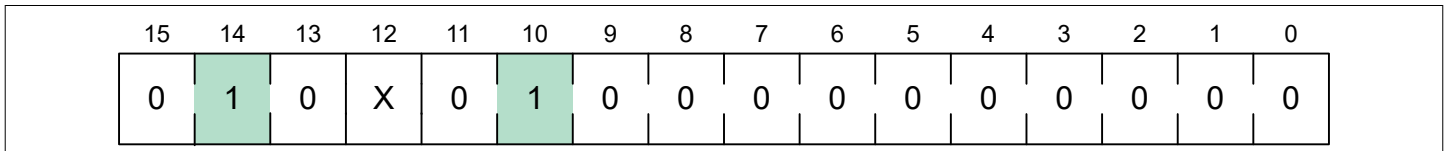


Figure 18 Acquire temperature command (10-bit) for  $kp25x_{res\_compat} = 1$

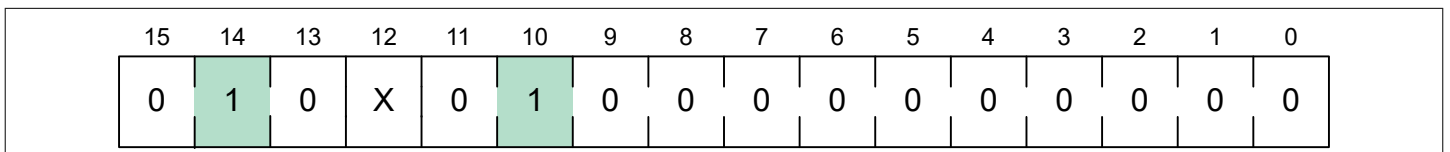


Figure 19 Acquire temperature command (12-bit) for  $kp25x_{res\_compat} = 0$

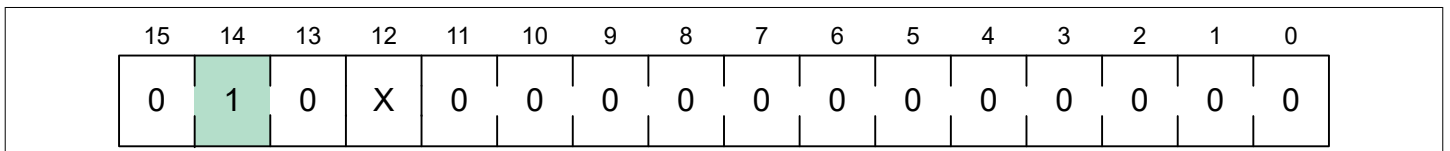


Figure 20 Acquire temperature command (12-bit) for  $kp25x_{res\_compat} = 1$

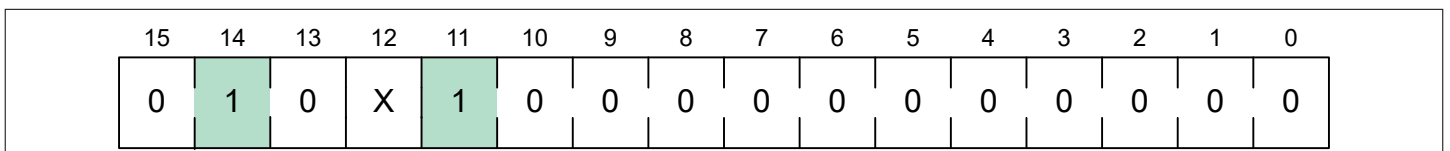


Figure 21 Acquire temperature command (14-bit)

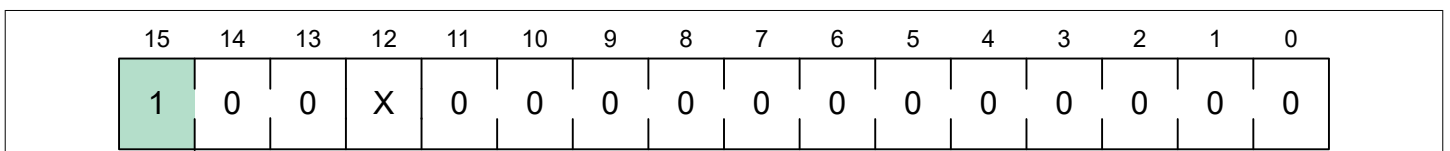
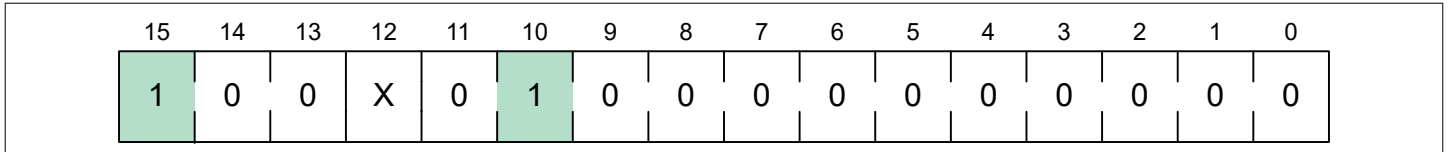
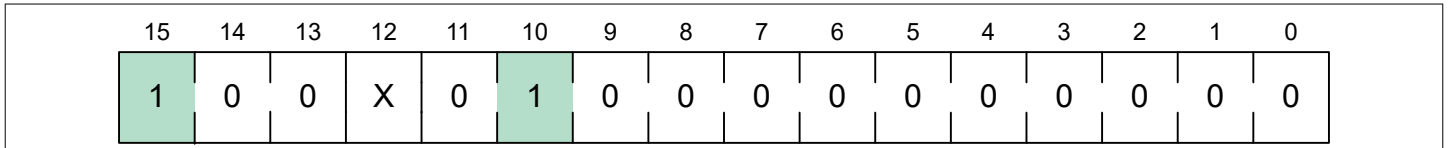


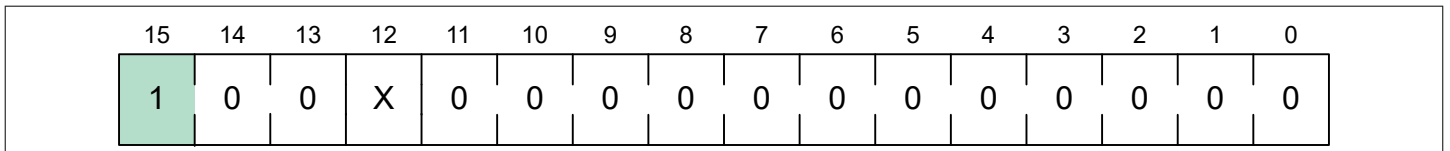
Figure 22 Trigger diagnosis command (10-bit) for  $kp25x_{res\_compat} = 0$



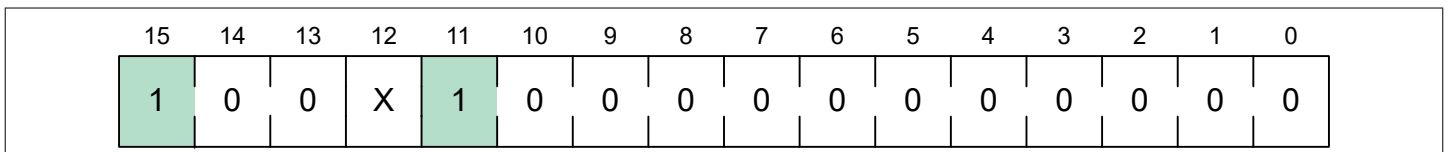
**Figure 23** Trigger diagnosis command (10-bit) for  $kp25x_{res\_compat} = 1$



**Figure 24** Trigger diagnosis command (12-bit) for  $kp25x_{res\_compat} = 0$

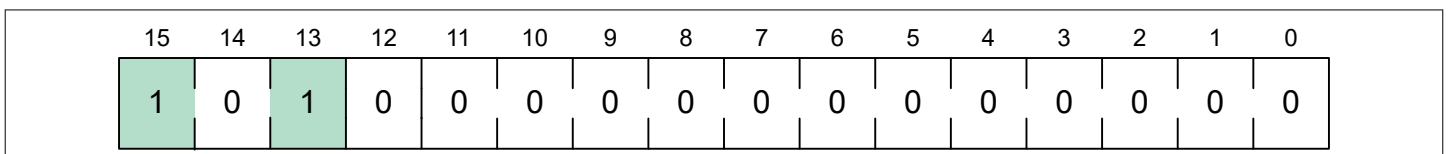


**Figure 25** Trigger diagnosis command (12-bit) for  $kp25x_{res\_compat} = 1$

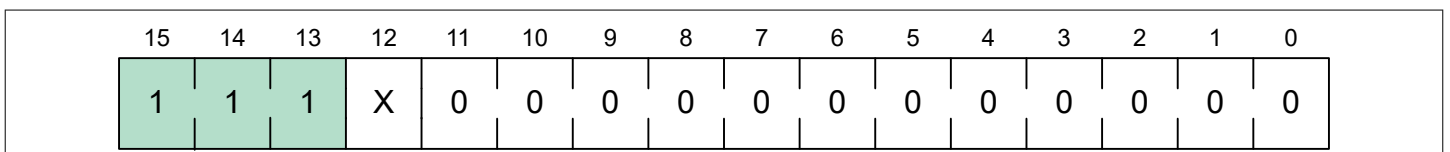


**Figure 26** Trigger diagnosis command 14-bit

*Note:* After a Trigger Diagnostic Command the user has to wait the time  $t_{diag\_wait}$  (see in table [SPI timing](#)) to acquire a valid pressure or temperature value.

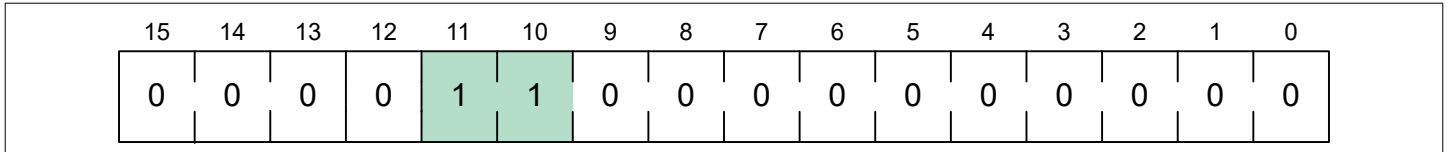


**Figure 27** Trigger Power-Down Mode Command



**Figure 28** Acquire identifier command

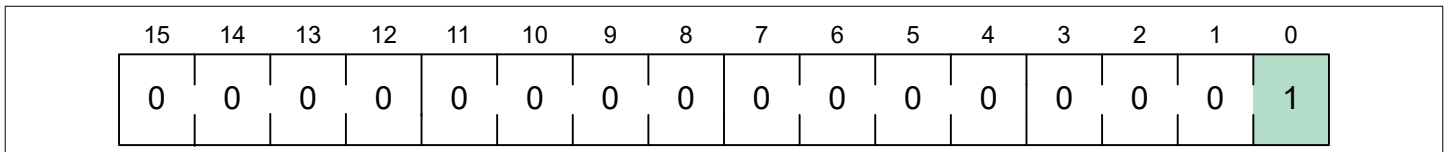
*Note:* The Reset-bit (C12) determines how the diagnostic reset is handled.



**Figure 29** Trigger programming mode command

**4.2.4.7 Communication error**

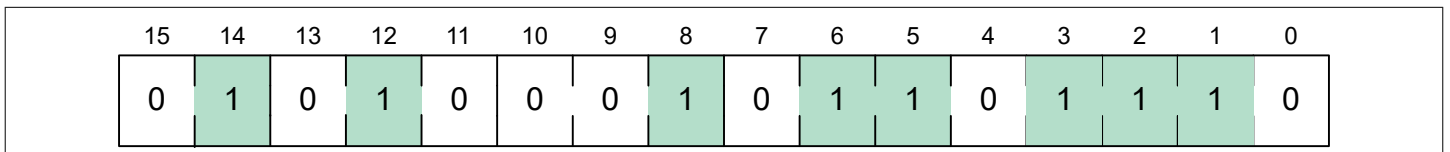
In normal operation only the specified commands are valid. Every abnormality of these commands (e.g. unused command, other value of unused bits, number of clocks not equal to 16n with n = 1, 2, 3...) will result in a communication error. The response to a detected communication error is given below.



**Figure 30** Response after a communication error

**4.2.4.8 Identifier response definition**

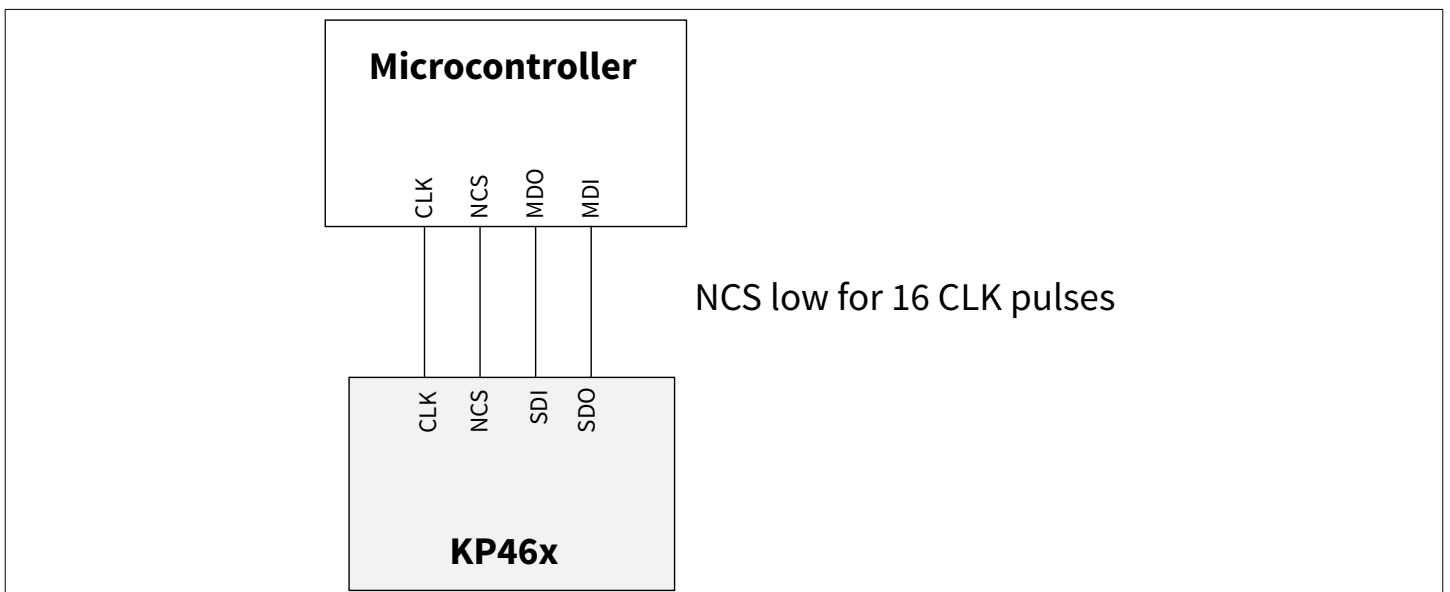
The response to an "Acquire Identifier Command" is a defined value for each derivate as stated below. With this response, the **KP46x** sensor can be identified when operated in a bus system with several different parts.



**Figure 31** Identifier response definition

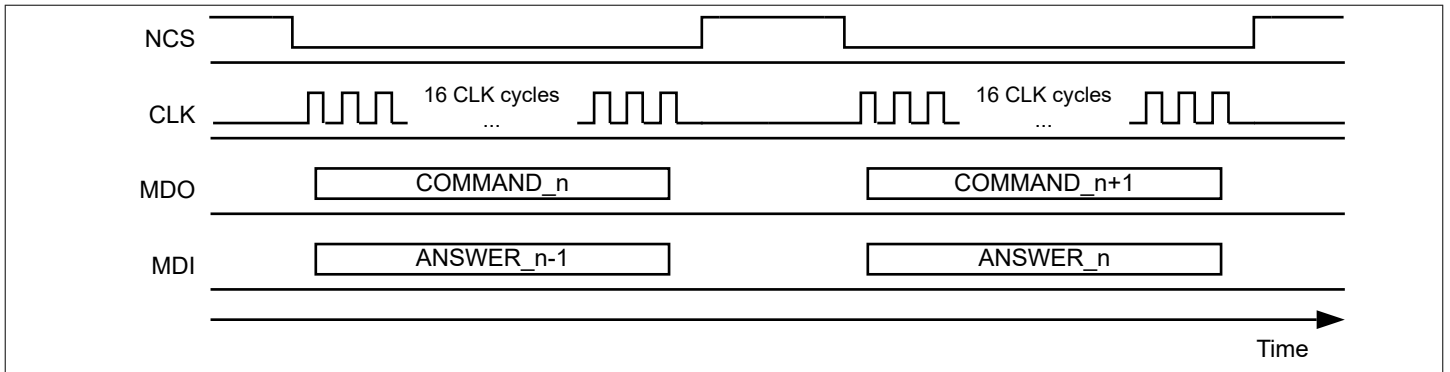
**4.2.4.9 Single device operation**

The figure below shows an example on how to connect a single device to a microcontroller. After NCS is pulled to low, the request command is sent to the sensor with the next 16 cycles of the CLK. The response of the sensor for the previous request command is returned at the same time.



**Figure 32** Example for single device operation

The SPI signal timing for single device operation is shown in the figure below.



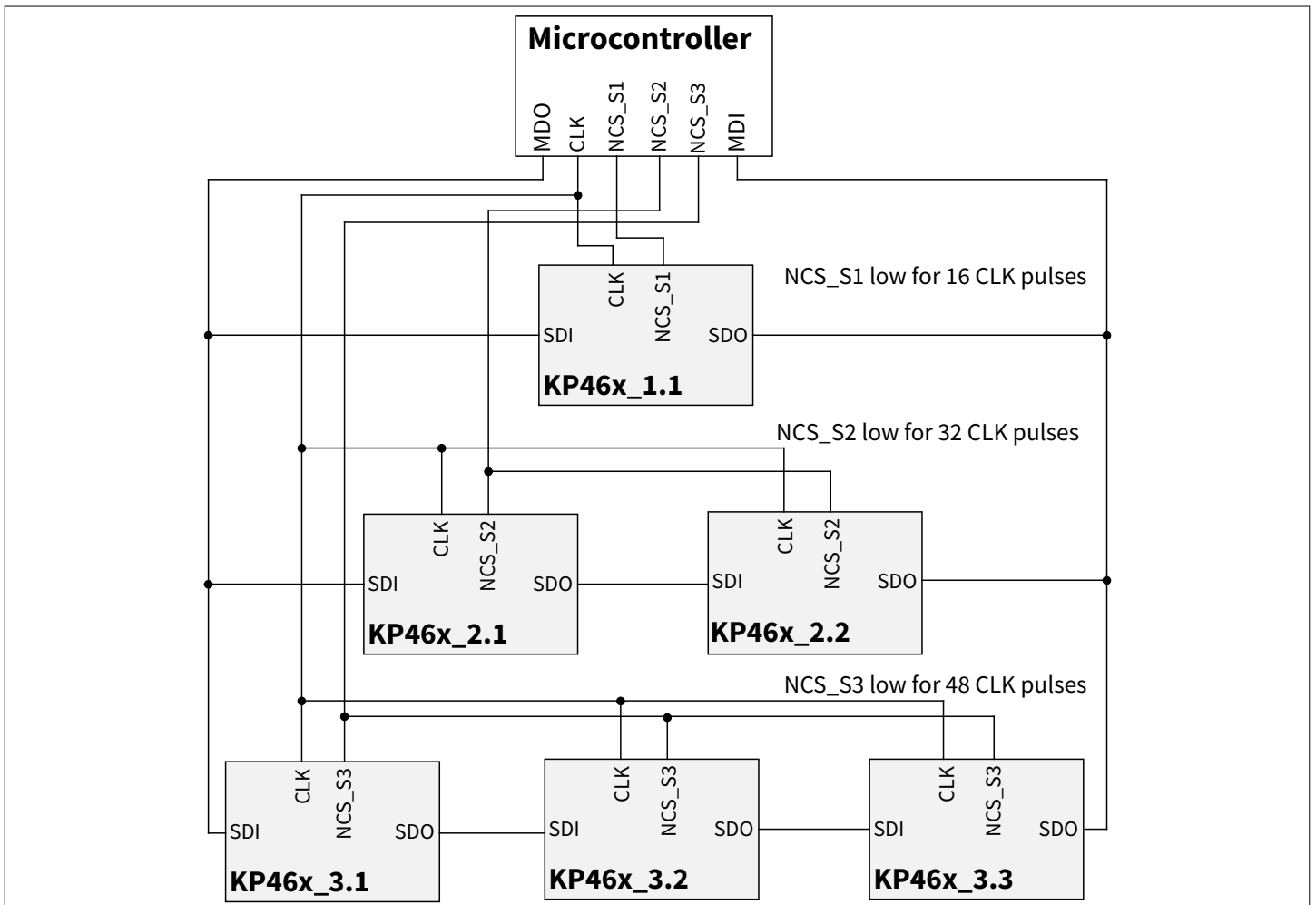
**Figure 33** Example for single device signal diagram

#### 4.2.4.10 Daisy chain operation

The daisy chain operation can be used to connect several devices to one SPI connection in order to save microcontroller pins. Please see Daisy Chain Operation Example for an example how to connect several devices to one microcontroller.

The number of devices connected in daisy chain operation is unlimited.

The figure below shows an example of a combination of daisy chain mode and parallel operation.

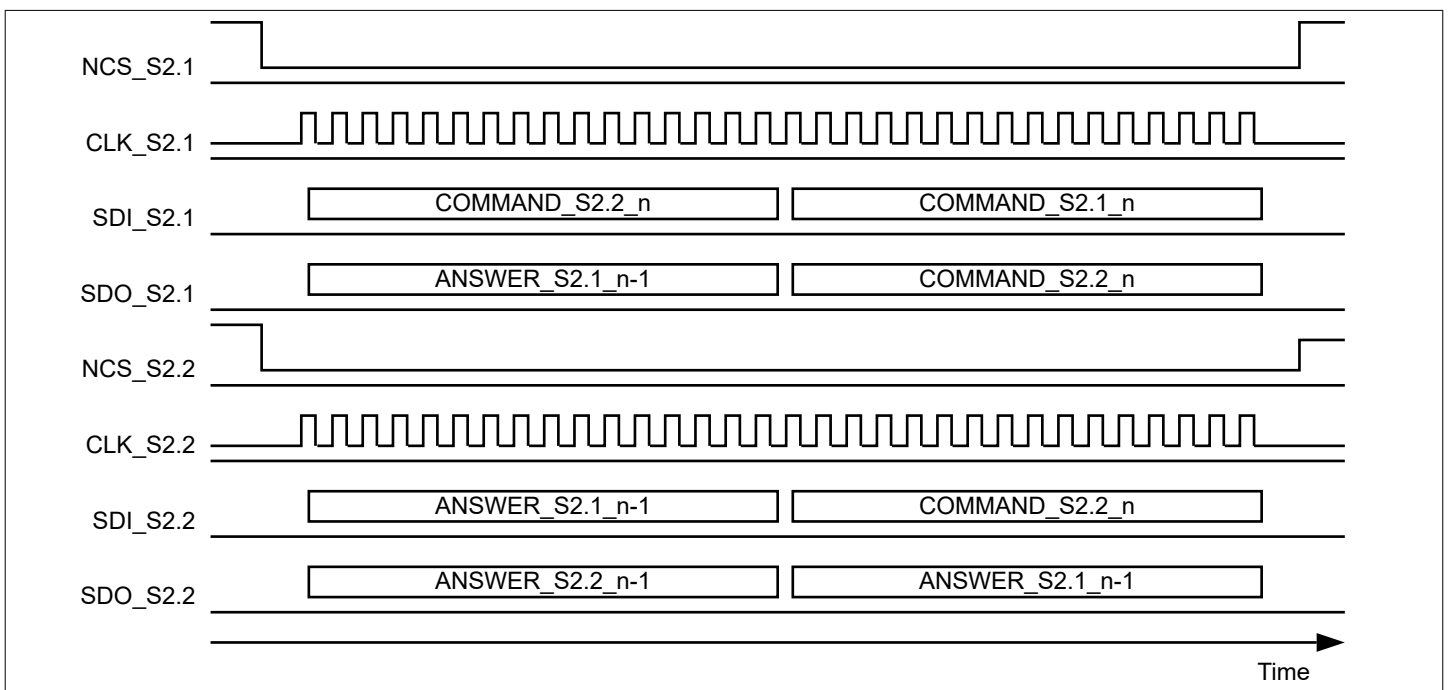


**Figure 34** Example for daisy chain operation



*Note: Not all five sensors in this example could be addressed at once. Only one branch can be addressed at once (e.g. the **KP46x\_2.x** branch). Finally only one NCS line can be low at the same time (NCS\_S1, NCS\_S2 or NCS\_S3).*

The Example for daisy chain operation figure shows an example of a combination of daisy chain mode and parallel operation. The responding NCS line for the addressed sensor group must be low during the complete communication. During this time the provided number of clock pulses must be the multiplication result of 16 times the number of sensors in a daisy chain (e.g. 32 clock pulses for the KP46x\_2.x branch in figure "Daisy Chain Operation Example"). It is important that NCS\_S2.1 and NCS\_S2.2 stay at the low level during the complete transmission. Therewith the sensor is able after receiving more than 16 clock pulses without a change in the NCS signal to switch automatically in daisy chain mode (in this example the first received 16 bit input data by the sensor S2.1 will be clocked to the output of sensor S2.1 with the last 16 clock pulses). The figure "Daisy Chain Operation Signal Diagram" shows the whole signal diagram.



**Figure 35** Example for daisy chain signal diagram

It is important that the number of clock pulses is a multiple of 16. Otherwise all commands for a daisy chain branch will be identified as invalid commands and the response of all sensors on this branch will be the Communication Error Response.

#### 4.2.4.11 SPI configuration parameters

The following parameters of the digital interface are user-configurable:

**Table 21** Interface configuration parameters

Configuration parameter	Symbol	Nominal range	Unit	Step width	Default	Note
Start-up diagnostics - VDD Power-On	$power\_up_{diag\_en}$	0 or 1	bit	-	1	<p>Can be adjusted by changing the corresponding EEPROM bit:</p> <ul style="list-style-type: none"> <li>0: <b>Deactivated self diagnostics</b> during <math>V_{DD}</math> start-up</li> <li>1: <b>Activated self diagnostics</b> during <math>V_{DD}</math> start-up</li> </ul> <p>This influences the average power consumption of the device.</p>
Start-up diagnostic - PD Power-Up	$wup_{diag\_en}$	0 or 1	bit	-	1	<p>Can be adjusted by changing the corresponding EEPROM bit:</p> <ul style="list-style-type: none"> <li>0: <b>Deactivated self diagnostics</b> during PD start-up</li> <li>1: <b>Activated self diagnostics</b> during PD start-up</li> </ul> <p>This influences the average power consumption of the device.</p>
VDD range	$vdd_{range}$	0 or 1	bit	-	1	<p>Can be adjusted by changing the corresponding EEPROM bit:</p> <ul style="list-style-type: none"> <li>0: <b>3.3 V</b> supply voltage for the device</li> <li>1: <b>5.0 V</b> supply voltage for the device</li> </ul>
Temperature compatibility	$kp25x_t\_compat$	0 or 1	bit	-	1	<p>Can be adjusted by changing the corresponding EEPROM bit:</p> <ul style="list-style-type: none"> <li>0: <math>vdd_{range}</math> bit is <b>active</b>. Same temperature offset parameter and transfer function for 3.3 V and 5.0 V supply voltage (please see <a href="#">Transfer Function Temperature</a>)</li> <li>1: <math>vdd_{range}</math> bit is <b>inactive</b>. Different temperature offset parameter and transfer function for 3.3 V and 5.0 V supply voltage (please see <a href="#">Transfer Function Temperature</a>)</li> </ul>

(table continues...)

**Table 21** (continued) Interface configuration parameters

Configuration parameter	Symbol	Nominal range	Unit	Step width	Default	Note
Acquire pressure and temperature command	$kp25x_{res\_compat}$	0 or 1	bit	-	0	Can be adjusted by changing the corresponding EEPROM bit: <ul style="list-style-type: none"> <li>0: 10-bit acquire pressure/ temperature command like e.g. KP254</li> <li>1: 12-bit acquire pressure/ temperature command like e.g. KP253</li> </ul>

### 4.2.5 Diagnosis

The sensor is able to detect automatically the following malfunctions:

- Pressure out of range (low and high)
- Signal path check (Diag1)
- Sensor cell check (Diag2)
- EEPROM check (ECC error)

If a malfunction is detected, the responding diagnosis code is sent with the next response.

*Note:* The Diag1 and Diag2 test can only be triggered by the separate Trigger Diagnosis Command. After this command the user has to wait the time  $t_{diag\_wait}$  (see in table [SPI timing](#)) to get a valid pressure or temperature value after a new request.

In case a 10-bit Acquire Temperature or Pressure Command is received by the device a 5-bit diagnosis will be transmitted during the next received command as part of the 10-bit Response Structure (see [Chapter 4.2.4.4](#)).

If more than one test fails, only that diagnosis code with the highest priority will be sent.

**Table 22** 5-bit diagnosis codes

Failure	Priority	Diagnosis Code				
		Bit 15	Bit 14	Bit 13	Bit 12	Bit 11
EEPROM: ECC error	1	1	0	0	0	0
Acquisition chain failure: Diag1	2	0	1	0	0	0
Sensor cell failure: Diag2	3	0	0	1	0	0
Pressure out of range: High	4	0	0	0	1	0
Pressure out of range: Low	5	0	0	0	0	1
No error	-	0	1	0	1	0

In case a 12-bit Acquire Temperature or Pressure Command is received by the device a 3-bit diagnosis will be transmitted during the next received command as part of the 12-bit Response Structure (see [Chapter 4.2.4.4](#)).

If more than one test fails, only that diagnosis code with the highest priority will be sent.

**Table 23**            **3-bit diagnosis codes**

Failure	Priority	Diagnosis Code		
		Bit 15	Bit 14	Bit 13
EEPROM: ECC error	1	1	0	0
Acquisition chain failure: Diag1	2	0	1	0
Sensor cell failure: Diag2	3	0	0	1
No error	-	0	1	1

In case a 14-bit Acquire Temperature or Pressure Command is received by the device a 1-bit diagnosis will be transmitted during the next received command as part of the 14-bit Response Structure (see [Chapter 4.2.4.4](#)).

**Table 24**            **1-bit diagnosis codes**

Failure	Diagnosis Code
	Bit 15
EEPROM: ECC error	1
No error	0

*Note:*            The diagnosis codes Diag1 and Diag2 are not updated until a self diagnosis is triggered by sending the Trigger Diagnosis Command.

### 4.2.5.1            Diagnosis reset

The Reset-bit C12 of a SPI command allows using different reset strategies:

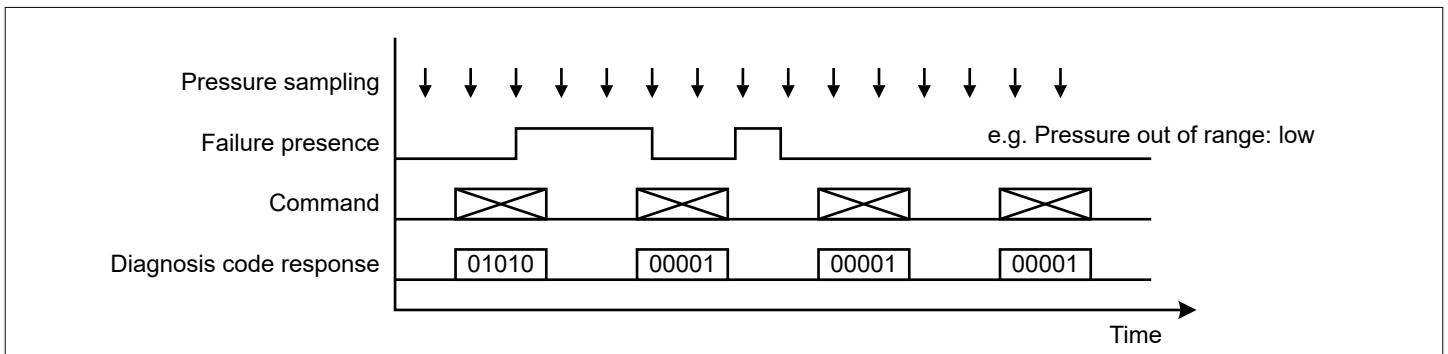
- Reset-bit = '0': All transmitted failures will be reset (with the exception of ECC error)
- Reset-bit': A transmitted failure will not be reset

**Attention:**    *Reset of the ECC error is not possible. Once they are detected and transmitted it remains until supply reset or power-down mode is entered.*

#### 4.2.5.1.1        Reset-bit = '1'

Once a failure is detected, the corresponding diagnosis code is still transmitted continuously, even if the failure disappears/is no longer present, as long as:

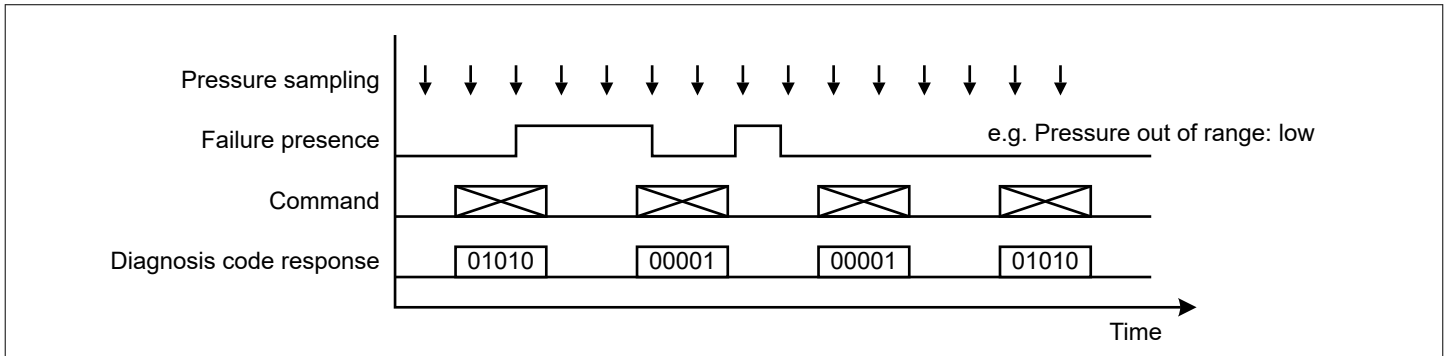
- A failure with a higher priority is not detected
- The sensor is not reset (power-down)



**Figure 36**            **Example for reset strategy Reset-bit C12 = '1'**

### 4.2.5.1.2 Reset-bit = '0'

A detected failure is only transmitted by the responding diagnosis code as long as the failure is present with the exception of ECC error. The diagnosis code will be reset after once transmitted. Only if the failure is detected again, the diagnosis code will be transmitted again with the next response.



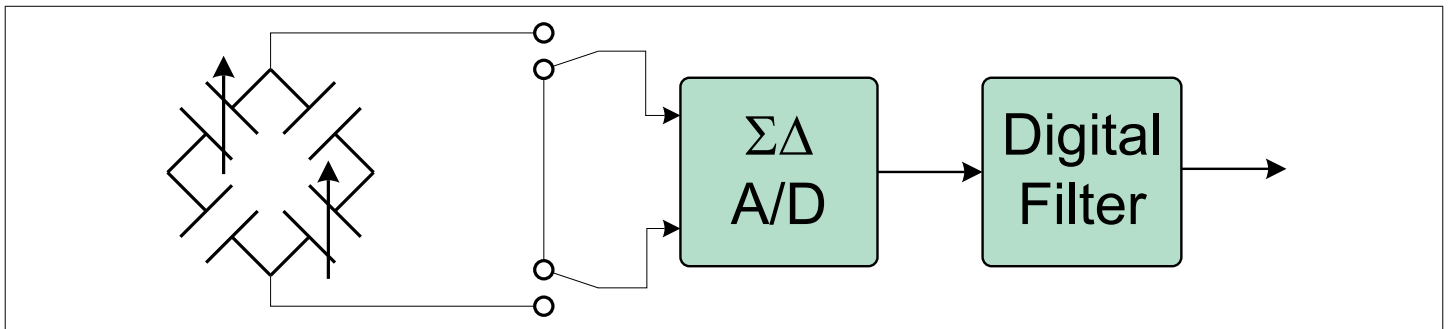
**Figure 37** Example for reset strategy Reset-bit C12 = '0'

### 4.2.5.2 Pressure out of range

The measured pressure is internally checked. If the pressure value falls below the lower limit  $p_{IN,1}$  or exceeds the higher limit  $p_{IN,2}$  the corresponding diagnosis code will be set. The lower and higher limits are defined in the [Transfer Function Pressure](#) chapter.

### 4.2.5.3 Diag1

The Diag1 test checks the functionality of the signal path. Therefore the inputs of the sigma delta ADC are shorted. Afterwards, the system response is compared with the expected range (~ 50% of full scale range). If the system response is out of range, the diagnosis code is set.



**Figure 38** Diag1 functionality

### 4.2.5.4 Diag2

The Diag2 test checks the functionality of the pressure sensor cells. Therefore a malfunction (e.g. broken membrane) can be detected. The KP46x pressure sensing element is made of 2 measuring cells and 2 reference cells. In the normal mode these four cells are connected in a Wheatstone bridge configuration. In the Diag2 mode, the connection of the cells is modified as shown in the figure below:

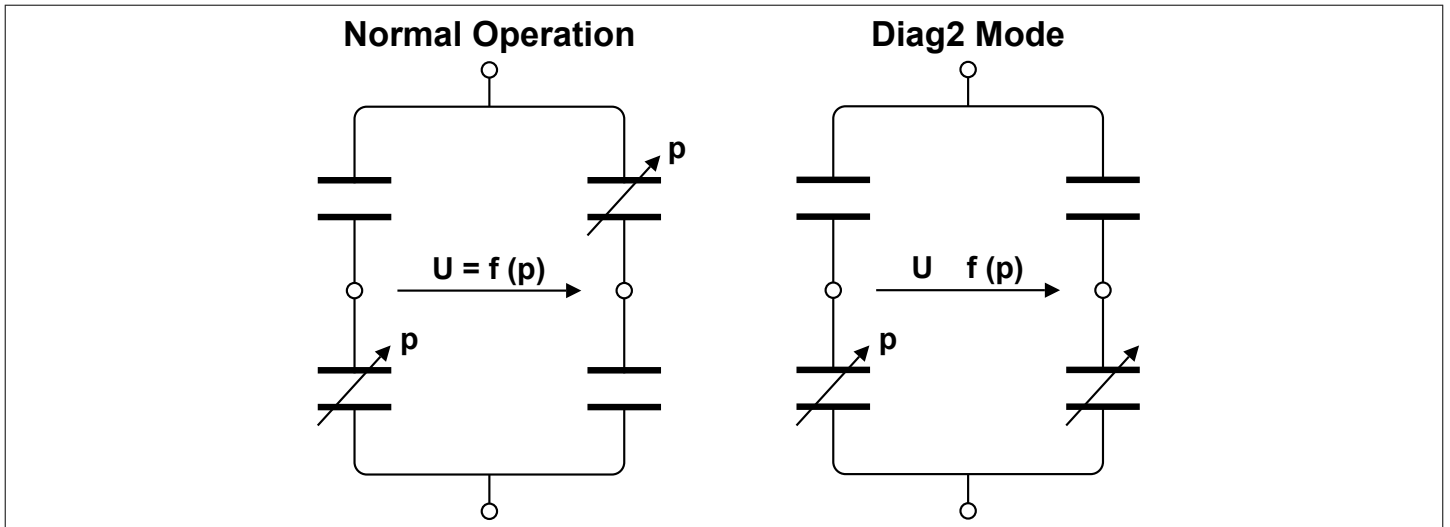


Figure 39 Diag2 functionality

#### 4.2.5.5 EEPROM check

Every start-up and wake-up a full EEPROM ECC test will be executed. Each EEPROM word consist of 16 data bits and 6 ECC bits. The 6 ECC bits allow the detection and correction of one flipped data bit and the detection of two flipped data bits within one EEPROM word (16 data bits).

A one bit error per EEPROM word will be corrected. The sensor will continue with normal operation. Any additional bit error in this EEPROM word results in an ECC error. In case of an ECC error the corresponding diagnosis code will be transmitted with the next response.

#### 4.2.6 Calculation of overall power consumption

The formulas below can be used in order to calculate the overall average power consumption of the device in normal operation mode based on the system and SPI configuration (e.g.  $C_{load}$  on SDO):

$$I_{VDD_{average}} [\mu A] = I_{VDD} + I_{SPI_{average}} \quad (3)$$

$$I_{VDD_{average}} [\mu A] = I_{VDD} + \frac{16 \times f_{NCS}}{f_{SPI}} \times \left( 250 \mu A + \frac{f_{SPI} \times C_{load} \times V_{DD}}{2} \right) \quad (4)$$

Table 25 Variables of overall average power consumption formula

Variable	Description	Unit
$I_{VDD}$	Supply current into VDD	$\mu A$
$f_{NCS}$	Sampling rate (e.g. pressure requests)	MHz
$f_{SPI}$	Clock frequency of SPI interface	MHz
$C_{load}$	Load capacitance on SDO	pF
$V_{DD}$	Supply Voltage	V

#### 4.2.7 Start-up behavior

There is no SPI response of the device on any SPI command during the start-up phase ( $t_{start-up}$  - see in table [Electrical characteristics](#)).

## 5 Application information

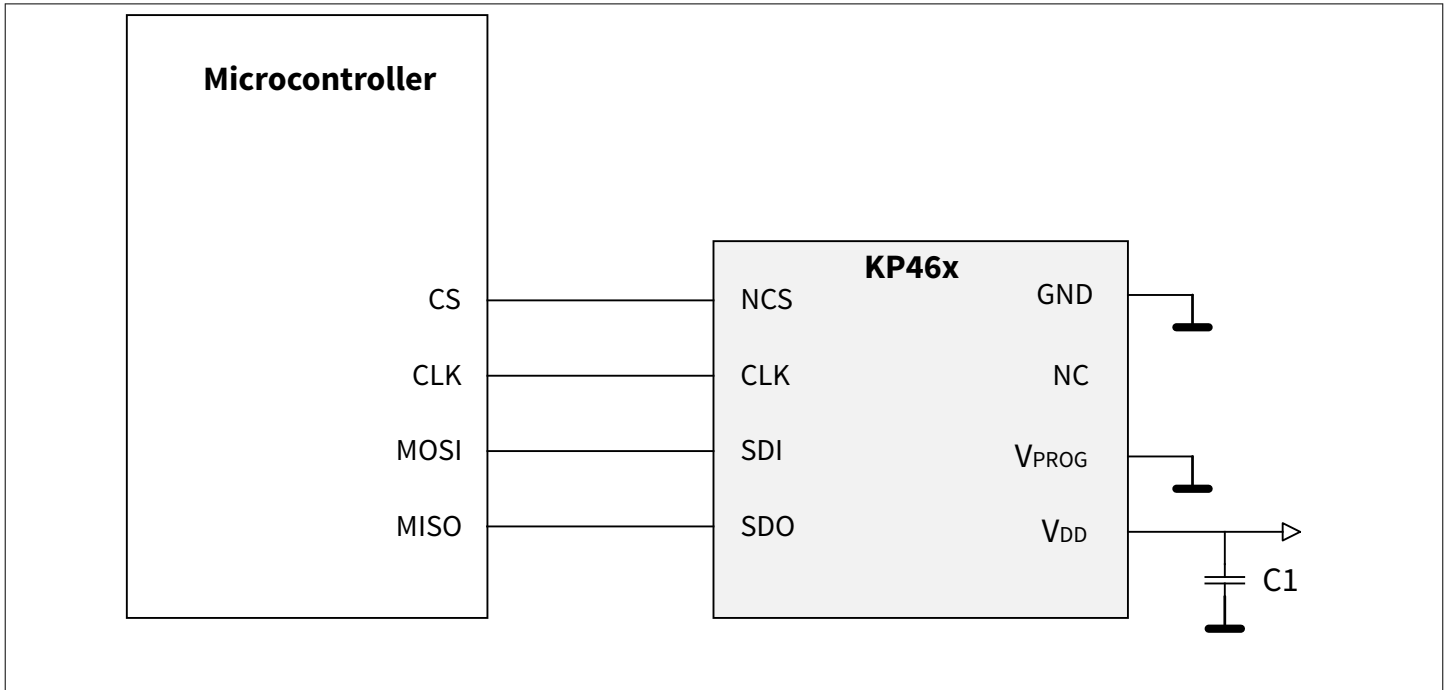


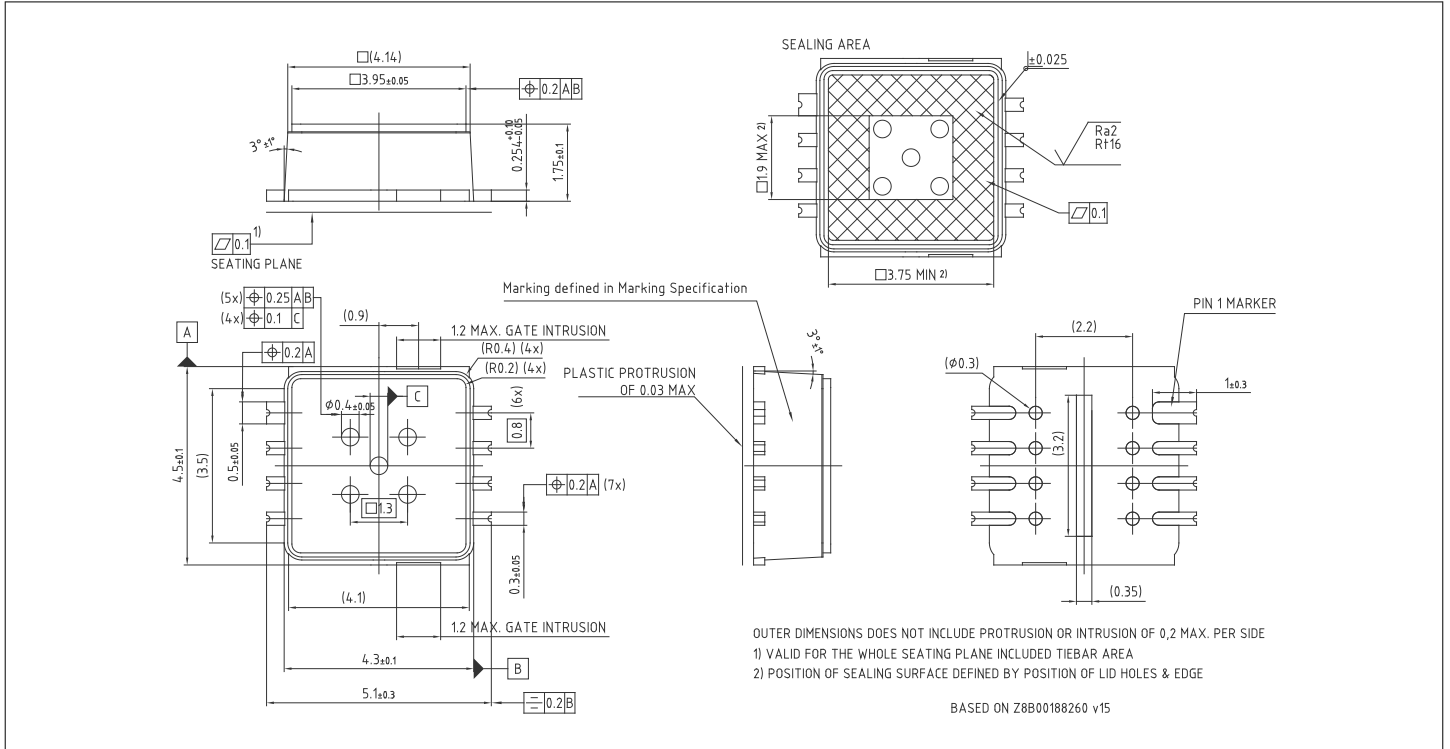
Figure 40 Example application diagram

Table 26 Component Values

Parameter	Symbol	Values			Unit	Note or condition
		Min.	Typ.	Max.		
Supply Decoupling Capacitor	C1	30	100	–	nF	<p>Typ: The use of a blocking capacitor with at least a nominal value of 100nF is mandatory; any drift or tolerances in capacity of standard capacitors are already considered. To avoid any measurement inaccuracy the supply blocking capacitor has to be placed as close as possible to the VDD pin, at least the distance must be less than 10mm.</p> <p>Min: The minimum capacity C1 including any variations or drift over lifetime must not undershoot the minimum C1 value.</p>

## 6 Package

The package is a PG-DFN-8-1 as shown below:

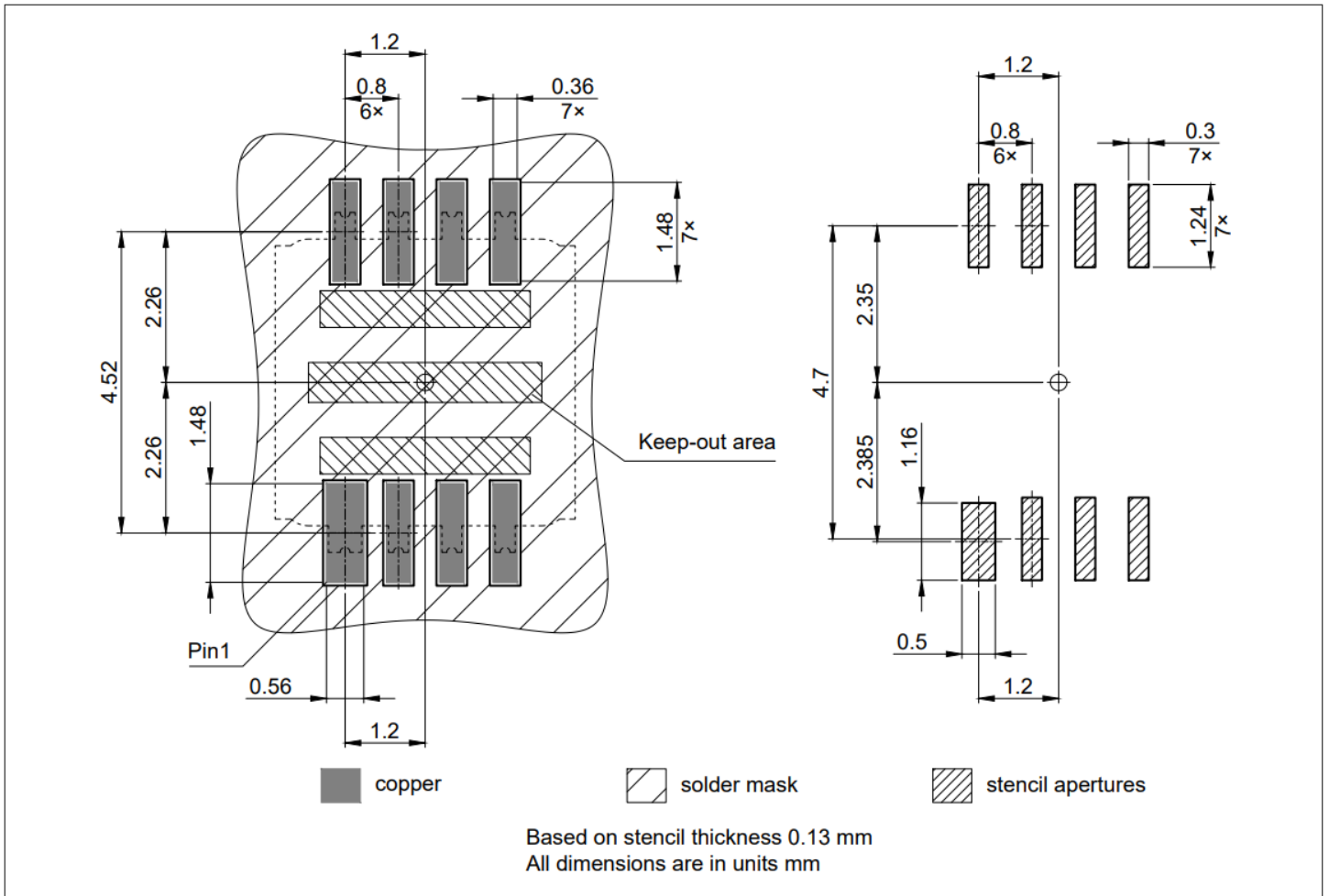


**Figure 41 PG-DFN-8-1 outlines**

### Green Product (RoHS compliant)

To meet the world-wide customer requirements for environmentally friendly products and to be compliant with government regulations the device is available as a green product. Green products are RoHS-Compliant (i.e Pb-free finish on leads and suitable for Pb-free soldering according to IPC/JEDEC J-STD-020).





**Figure 42** Package footprint drawing

Although the self-alignment effect due to the surface tension of the liquid solder will support the formation of reliable solder joints, the components have to be placed accurately according to their geometry. Manual positioning of the package is not recommended, but it is possible. For the PG-DFN package with a pad width of 0.3 mm and a pitch of 0.8 mm, an automatic pick-and-place machine is recommended to achieve reliable solder joints. The device is delivered in tape and reel packing which is suitable for being used in pick-and-place equipment.

### 6.1 Identification code

The identification code for the device is on the same side of the package as pin 1.

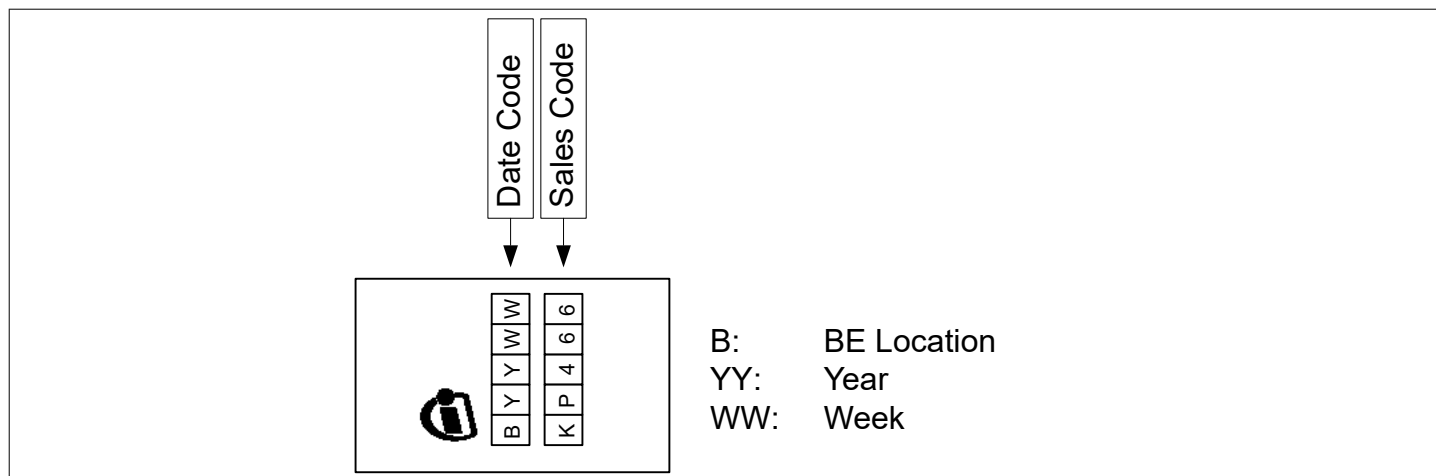


Figure 43 Identification code

## 7 Revision history

**Table 27**                    **Revision history**

<b>Revision number</b>	<b>Date of release</b>	<b>Description of changes</b>
1.0	2022-11-25	Initial release

## Trademarks

All referenced product or service names and trademarks are the property of their respective owners.

**Edition 2022-11-25**

**Published by**

**Infineon Technologies AG**

**81726 Munich, Germany**

**© 2022 Infineon Technologies AG**

**All Rights Reserved.**

**Do you have a question about any aspect of this document?**

**Email: [erratum@infineon.com](mailto:erratum@infineon.com)**

**Document reference**

**IFX-hwk1669272253404**

## Important notice

The information given in this document shall in no event be regarded as a guarantee of conditions or characteristics ("Beschaffheitsgarantie").

With respect to any examples, hints or any typical values stated herein and/or any information regarding the application of the product, Infineon Technologies hereby disclaims any and all warranties and liabilities of any kind, including without limitation warranties of non-infringement of intellectual property rights of any third party.

In addition, any information given in this document is subject to customer's compliance with its obligations stated in this document and any applicable legal requirements, norms and standards concerning customer's products and any use of the product of Infineon Technologies in customer's applications.

The data contained in this document is exclusively intended for technically trained staff. It is the responsibility of customer's technical departments to evaluate the suitability of the product for the intended application and the completeness of the product information given in this document with respect to such application.

## Warnings

Due to technical requirements products may contain dangerous substances. For information on the types in question please contact your nearest Infineon Technologies office.

Except as otherwise explicitly approved by Infineon Technologies in a written document signed by authorized representatives of Infineon Technologies, Infineon Technologies' products may not be used in any applications where a failure of the product or any consequences of the use thereof can reasonably be expected to result in personal injury.

## X-ON Electronics

Largest Supplier of Electrical and Electronic Components

*Click to view similar products for [Board Mount Pressure Sensors](#) category:*

*Click to view products by [Infineon](#) manufacturer:*

Other Similar products are found below :

[6407-249V-17343P](#) [6407-250V-09273P](#) [6407-250V-09343P](#) [80527-25.0H2-05](#) [80541-B00000150-01](#) [80541-B00000200-05](#) [80554-00700100-05](#) [80568-00300050-01](#) [93.631.4253.0](#) [93.731.4353.0](#) [93.932.4553.0](#) [136PC15A1](#) [142PC95AW71](#) [142PC05DW70](#) [15PSI-G-4V](#) [1805-01A-L0N-B](#) [26PCBKT](#) [26PCCFA6D26](#) [26PCCFS2G](#) [26PCCVA6D](#) [93.632.7353.0](#) [93.731.3653.0](#) [93.931.4853.0](#) [93.932.4853.0](#) [SDP510-500PA](#) [185PC30DH](#) [20INCH-G-MV-MINI](#) [26PCAFJ3G](#) [26PCCEP5G24](#) [26PCCFJ3G](#) [26PCDFA3G](#) [26PCJEU5G19](#) [30INCH-D1-MV-MINI](#) [ASCX15AN-90](#) [ASCX15AN/SZ76114](#) [4426-015G](#) [4525-DS5A030DP](#) [DCAL401DN](#) [DCAL401GN](#) [4515-DS5A020DP](#) [XZ202798SSC](#) [XZ203676HSC](#) [6407-249V-09273P](#) [6407-249V-09343P](#) [6407-249V-17273P](#) [6407-250V-17273P](#) [6407-250V-17343P](#) [81717-00000050-05](#) [81794-B00001200-01](#) [82681-B00000100-01](#)