

6 W auxiliary power supply using ICE5GR4780AG

REF_5GR4780AG_6W1

About this document

Scope and purpose

This document is an engineering report that describes a 6 W (12 V, 500 mA) isolated flyback converter using the fifth-generation Infineon Fixed-Frequency (FF) CoolSET™ ICE5GR4780AG. The document contains power supply specification, schematic, bill-of-material, PCB layout, and performance data. This reference board is designed for users who wish to evaluate the performance of ICE5GR4780AG and its ease of use.

Intended audience

The intended audiences for this document are SMPS design/application engineers, students, etc., who wish to design low-cost and isolated flyback converter, such as auxiliary power supplies for white goods, smart metering etc.

Table of contents

Table of contents

About this document	1
Table of contents	2
1 Introduction	3
2 Reference board	4
3 Specifications of reference board	5
4 Circuit diagram	6
5 Circuit description	7
5.1 Line input.....	7
5.2 Start-up.....	7
5.3 Integrated MOSFET and PWM control	7
5.4 RCD clamper circuit.....	7
5.5 Output stage.....	7
5.6 Feedback control.....	7
6 PCB layout	8
6.1 Top side	8
6.2 Bottom side	8
7 Bill of materials	9
8 Transformer construction	10
9 Test results	11
9.1 Efficiency.....	11
9.2 Standby power	12
9.3 Line and load regulation	13
9.4 Maximum input power	13
9.5 ESD immunity (EN61000-4-2).....	14
9.6 Surge immunity (EN 61000-4-5)	14
9.7 Conducted emissions (EN 55022 class B)	15
9.8 Thermal measurement	16
10 Waveforms and scope plots	17
10.1 Start-up with maximum load.....	17
10.2 Soft-start.....	17
10.3 Drain and CS voltage at maximum load	18
10.4 Output ripple voltage at maximum load	18
10.5 Output ripple voltage at ABM.....	19
10.6 Load transient response (Dynamic load from 10% to 100%)	19
10.7 ABM operation	20
10.8 Overload protection (odd-skip auto-restart)	20
References	21
Revision history	22
Disclaimer	23

1 Introduction

This engineering report describes a 6 W (12 V, 500 mA) reference board designed in an isolated flyback converter topology using the fifth-generation FF CoolSET™ ICE5GR4780AG. The target applications of ICE5GR4780AG are either auxiliary power supplies for white goods, PCs, servers or TVs, or enclosed adapters for Blu-ray players, set-top boxes, gaming consoles, smart metering etc. With the 800 V CoolMOS™ integrated into this IC, it greatly simplifies the design and layout of the PCB. The new improved digital frequency reduction and frequency jitter features offer lower EMI and higher efficiency. The enhanced Active Burst Mode (ABM) power enables flexibility in standby power operation range selection. In addition, numerous adjustable protection functions have been implemented in ICE5GR4780AG to protect the system and customize the IC for the chosen application.

6 W auxiliary power supply using ICE5GR4780AG

REF_5GR4780AG_6W1

Reference board

2 Reference board

This document contains the list of features, the power-supply specifications, schematics, bill of materials (BOM), and performance data. Typical operating characteristics such as performance curve and scope waveforms are shown at the end of the report.

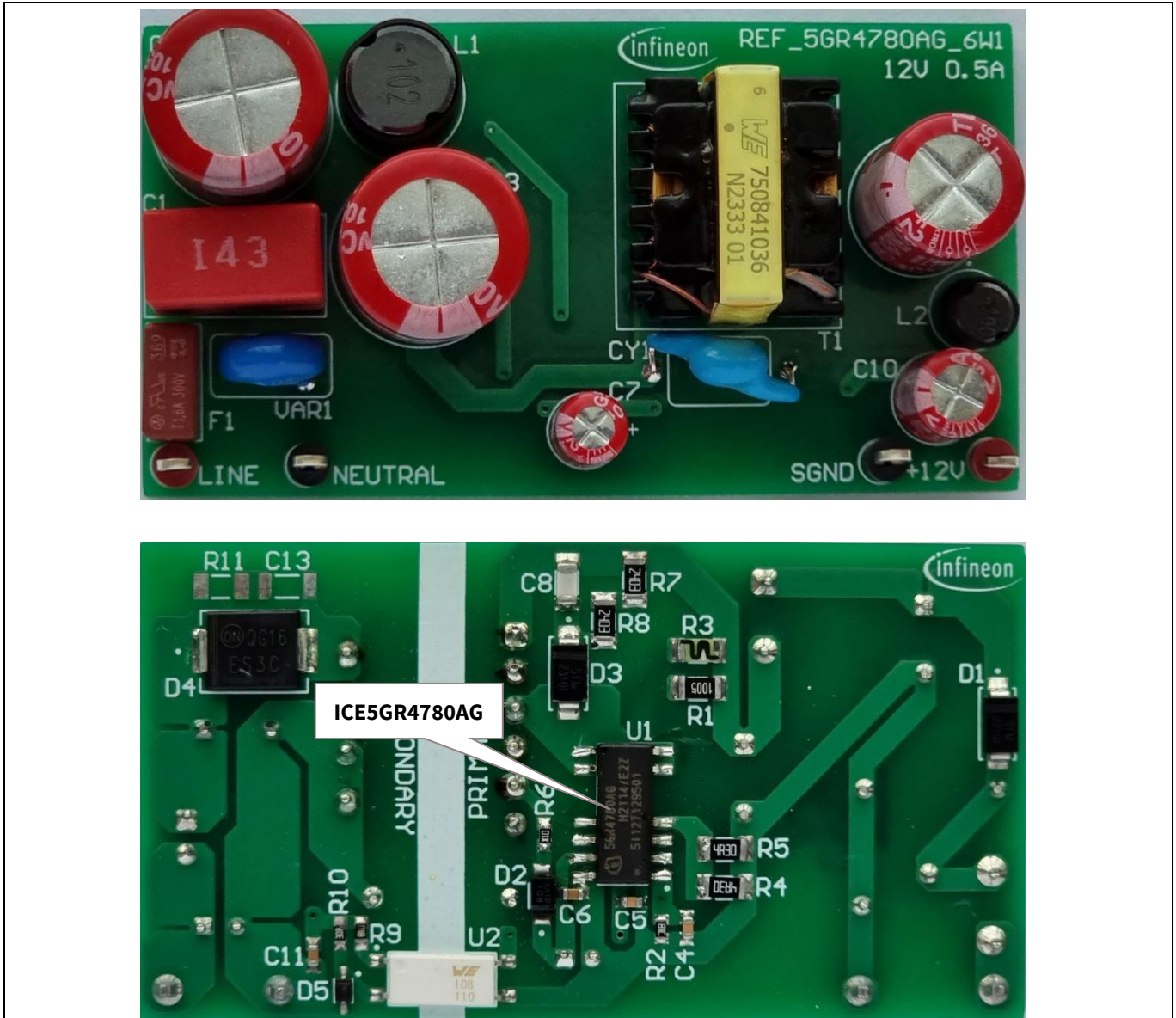


Figure 1 REF_5GR4780AG_6W1

Specifications of reference board

3 Specifications of reference board

Table 1 Specifications of REF_5GR4780AG_6W1

Description	Symbol	Min.	Typ.	Max.	Unit	Comments
Input						
Voltage	V_{IN}	85		264	V AC	2-wire (no P.E.)
Frequency	f_{LINE}	47	50/60	63	Hz	
No load input power	P_{stby_NL}			50	mW	
Output						
Voltage	V_{out}		12		V	
Current	I_{out}			0.5	A	
Output power	P_{out}			6	W	
Output voltage accuracy		< $\pm 5\%$			%	
Over current protection		< 175% of rated current			A	
Ripple and noise voltage	V_{pk-pk}	< 1% (20 MHz bandwidth)			mV	With 10 μ F E-cap and 0.1 μ F MLCC
Efficiency						
Full load	η_{FL}	82			%	115 V AC/ 230 V AC
Average (25%, 50%, 75%, and 100%)	η_{ave}	81			%	115 V AC/ 230 V AC
Environmental						
Conducted EMI		6			dB	Margin, CISPR 22 Class B EN 61000-4-2
ESD						
• Contact discharge		± 6			kV	EN 61000-4-5
• Air discharge		± 8			kV	
Surge immunity						
• Differential Mode		± 1			kV	
• Common Mode		± 2			kV	
Ambient temperature	T_{amb}	-20	-	50	$^{\circ}$ C	Free convection, sea level
PCB form factor		65 \times 35 \times 25			mm	L \times W \times H

Note: The table represents the minimum acceptable performance of the design. The actual measurement results are listed in Section 9. This reference board is designed to demonstrate the maximum output current only.

6 W auxiliary power supply using ICE5GR4780AG

REF_5GR4780AG_6W1

Circuit diagram

4 Circuit diagram

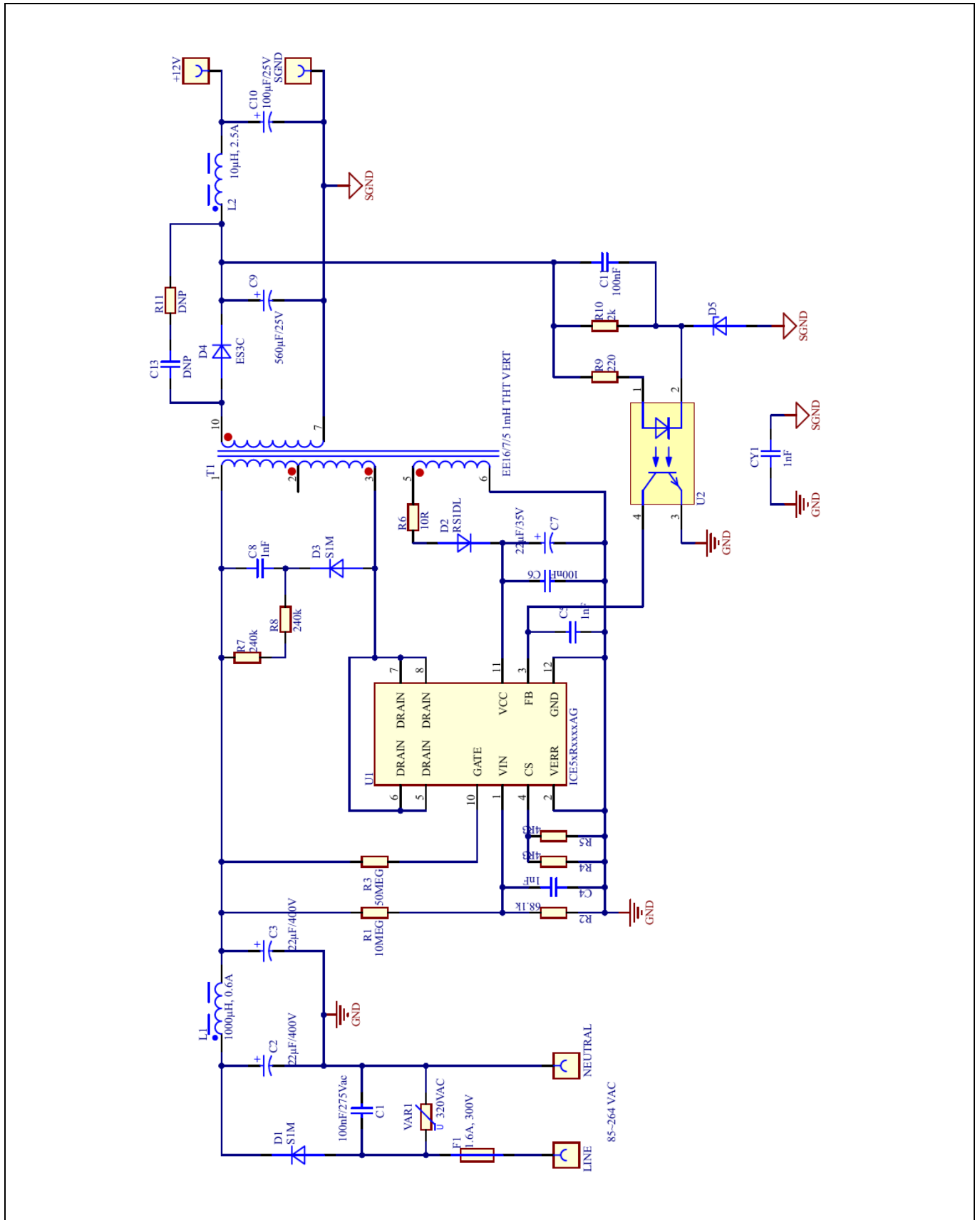


Figure 2 Schematic of REF_5GR4780AG_6W1

Circuit description

5 Circuit description

5.1 Line input

The AC-line input stage consists of the following components:

- Input fuse F1
- Varistor VAR1
- X-capacitor C1
- Rectifier diode D1
- Capacitors C2 and C3
- Inductor L1

The X-capacitor C1 and π -filter C2, L1, and C3 act as EMI suppressors.

5.2 Start-up

ICE5GR4780AG uses a cascode structure to fast-charge the V_{CC} capacitor. The pull-up resistor R3 connected to the GATE pin (pin 10) is used to initiate the start-up phase. When V_{VCC} reaches the turn-on voltage threshold 16 V, the IC begins with a soft-start. The soft-start implemented in ICE5GR4780AG is a digital time-based function. The preset soft-start time is 12 ms with four steps. If not limited by other functions, the peak voltage on the CS pin will increase in increments from 0.3 V to 0.8 V. After IC turn-on, the V_{CC} voltage is supplied by the auxiliary winding of the transformer. V_{CC} short-to-GND protection is implemented during the start-up time.

5.3 Integrated MOSFET and PWM control

ICE5GR4780AG comprises of a power MOSFET and a 125 kHz fixed-frequency PWM controller with frequency reduction from medium to light load. The frequency jittering feature is implemented to enable higher average efficiency and low EMI. Active Burst Mode (ABM) is also implemented to achieve a very low standby input power. The PWM switch-on is determined by the 125 kHz fixed frequency and the PWM switch-off is determined by the feedback signal VFB and the current sensing signal V_{CS} via resistors R4 and R5. ICE5GR4780AG also performs all necessary protection functions including VCC overvoltage and undervoltage, overload, output overvoltage, overtemperature (controller junction) and VCC short-to-GND. This integrated solution greatly simplifies the circuit layout and reduces the cost of PCB manufacturing. For more information, see the product datasheet [1].

5.4 RCD clamper circuit

A clamper network (R7, R8, C8, and D3) dissipates the energy of the leakage inductance and suppress ringing on the SMPS transformer.

5.5 Output stage

This has a single isolated 12 V output converter. It is rectified by an ultrafast diode D4. The low ESR capacitor C9 provides energy buffering and is followed by the L-C filter L2-C10 to reduce the output voltage ripple.

5.6 Feedback control

For cost down consideration, the system uses a simple Zener diode D5 coupled with an optocoupler U2 connected to FB pin of the ICE5GR4780AG for output voltage control.

6 W auxiliary power supply using ICE5GR4780AG

REF_5GR4780AG_6W1

PCB layout

6 PCB layout

6.1 Top side

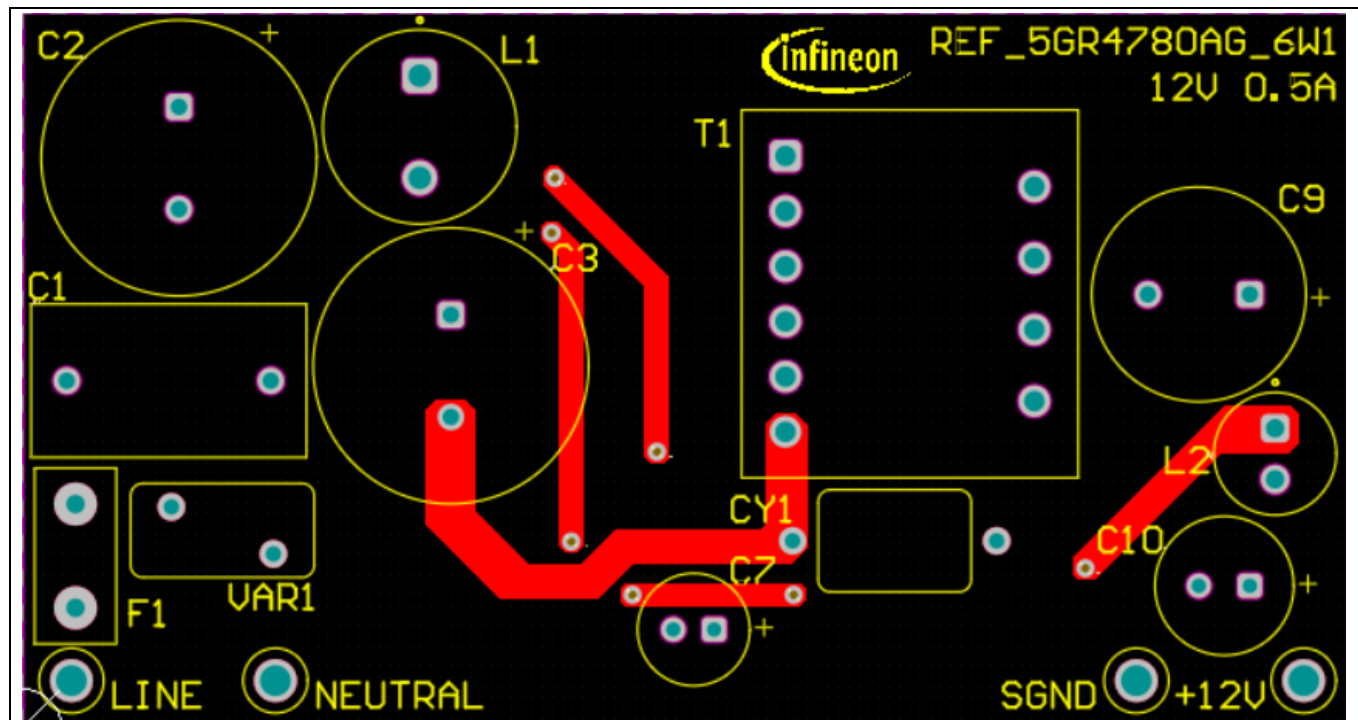


Figure 3 Top-side copper and component legend

6.2 Bottom side

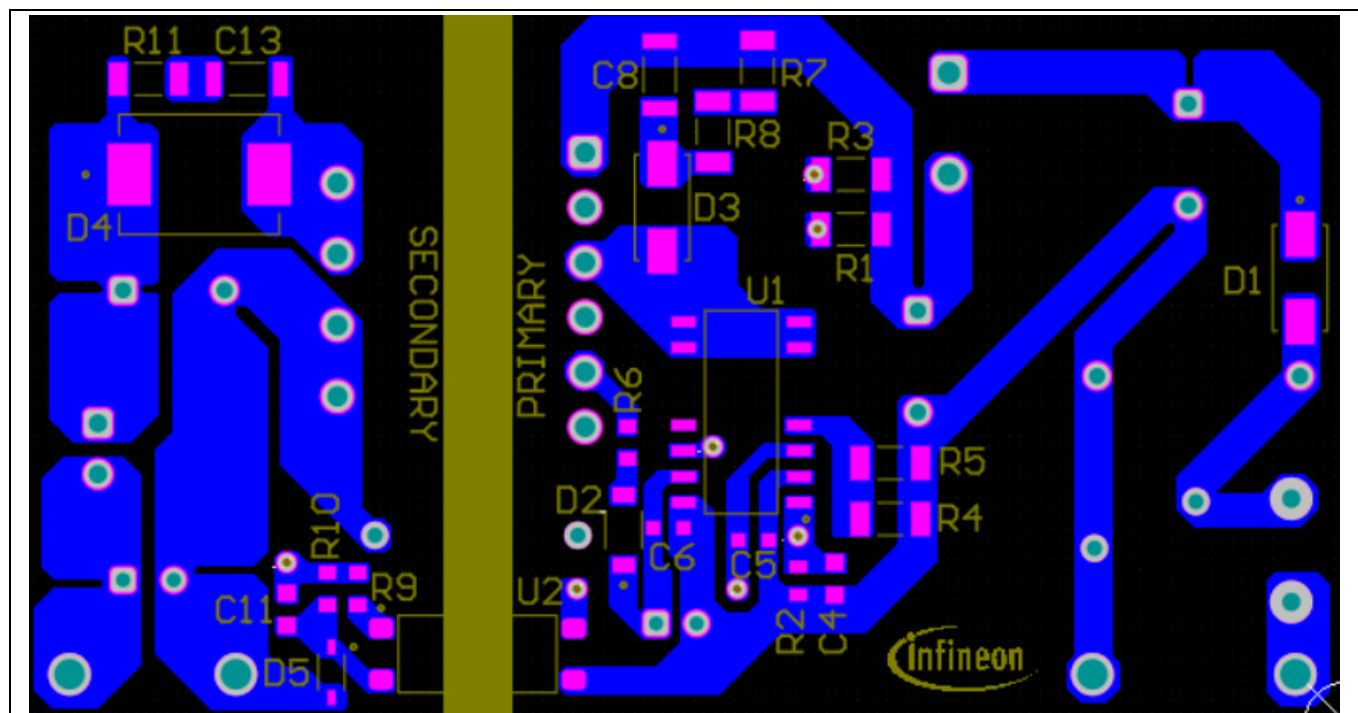


Figure 4 Bottom-side copper and component legend

6 W auxiliary power supply using ICE5GR4780AG

REF_5GR4780AG_6W1



Bill of materials

7 Bill of materials

Table 2 BOM

No.	Designator	Description	Part number	Manufacturer	Quantity
1	C1	CAP FILM 0.1 μ F 10% 275 VAC RADIAL	890324023023	Würth Elektronik	1
2	C2,C3	CAP ALUM 22 μ F 20% 400 V RADIAL	860021378013	Würth Elektronik	2
3	C4, C5	CAP CER 1 nF 50 V X7R 0603			2
4	C6, C11	CAP CER 0.1 μ F 50 V X7R 0603			2
5	C7	CAP ALUM 22 μ F 20% 35 V RADIAL	860020572004	Würth Elektronik	1
6	C8	CAP CER 1 nF 500 V X7R 1206			1
7	C9	CAP ALUM 560 μ F 20% 25 V RADIAL	860080475017	Würth Elektronik	1
8	C10	CAP ALUM 100 μ F 20% 25 V RADIAL	860080473006	Würth Elektronik	1
9	CY1	CAP CER 1000 pF 250 V RADIAL	DE1E3KX102MA4BN01F		1
10	D1, D3	DIODE GEN PURP 1 KV 1A SMA	S1M		2
11	D2	DIODE GEN PURP 200 V 0.8 A SOD123	RS1DL		1
12	D4	DIODE GEN PURP 150 V 3 A SMC	ES3C		1
13	D5	DIODE ZNR 11 V 0.3 W SOD323	MM3Z11VST1G		1
14	F1	TIME LAG FUSE 300 V 1.6 A	36911600000	Littelfuse	1
15	L1	INDUCTOR 1 mH 0.6 A RADIAL	7447452102	Würth Elektronik	1
16	L2	INDUCTOR 10 μ H 2.5 A RADIAL	7447462100	Würth Elektronik	1
17	R1	RES SMD 10 M Ω 1% 0.25 W 1206	LHVC1206-10MFT5		1
18	R2	RES SMD 68.1 k Ω 1% 0.1 W 0603			1
19	R3	RES SMD 50 M Ω 1% 0.25 W 1206	CRHV1206AF50M0FKFT	Vishay	1
20	R4, R5	RES SMD 4.3 Ω 1% 0.25 W 1206			2
21	R6	RES SMD 10 Ω 1% 0.1 W 0603			1
22	R7, R8	RES SMD 240 k Ω 1% 0.25 W 1206			2
23	R9	RES SMD 220 Ω 1% 0.1 W 0603			1
24	R10	RES SMD 2 k Ω 1% 0.1 W 0603			1
25	T1	EE16/7/5 1 mH THT VERTICAL		Würth Elektronik	1
26	U1	800 V FF CoolSET™	ICE5GR4780AG	Infineon	1
27	U2	OPTOCOUPLER	140108146000	Würth Elektronik	1
28	VAR1	S07K320E2 320 VAC 10%	B72207S2321K101	TDK Electronics	1
29	LINE, +12 V	CONNECTOR RED	5010	Keystone	2
30	NEUTRAL, SGND	CONNECTOR BLACK	5011	Keystone	2

6 W auxiliary power supply using ICE5GR4780AG

REF_5GR4780AG_6W1

Transformer construction

8 Transformer construction

- Core and material: 150-2115 (EE16/7/5, TP4A)
- Bobbin: 070-5278 (10 Pin, THT, vertical version)
- Primary Inductance: $L_p=1000 \mu\text{H}$ ($\pm 10\%$), measured between pin 1 and pin 3
- Manufacturer and part number: Würth Elektronik Midcom (750841036 Rev 01)

Wire size requirement:

Start	Stop	No. of turns	Wire size	Layer
3	1	80	1 x AWG#33	Primary
9,10	7,8	12	2 x AWG#24 TIW	Secondary
5	6	14	1 x AWG#33	Auxiliary

Notes:
 (1) == 2 layers of tape
 (2) core is shielded with a copper foil wrap around it and connected to pin 6

CUSTOMER TERMINAL	RoHS	LEAD(Pb)-FREE
Sn 96%, Ag 4%	Yes	Yes

ELECTRICAL SPECIFICATIONS @ 25° C unless otherwise noted:

PARAMETER	TEST CONDITIONS	VALUE
D.C. RESISTANCE	3-1 @20°C	1.8 ohms max.
D.C. RESISTANCE	10-7 tie(7+8,9+10) @20°C	0.06 ohms max.
D.C. RESISTANCE	5-6 @20°C	0.48 ohms max.
INDUCTANCE	3-1 10kHz, 100mV, Ls	1.00mH $\pm 10\%$
SATURATION CURRENT	3-1 20% rolloff from initial	400mA
LEAKAGE INDUCTANCE	3-1 tie(7+8+9+10), 100kHz, 100mV, Ls	55µH max.
DIELECTRIC	1-10 tie(3+5,7+8), 3750VAC, 1 second	3000VAC, 1 minute
DIELECTRIC	1-5 625VAC, 1 second	500VAC, 1 minute
TURNS RATIO	(3-1):(10-7), tie(7+8,9+10)	6.67:1
TURNS RATIO	(3-1):(5-6)	5.71:1

GENERAL SPECIFICATIONS:
 OPERATING TEMPERATURE RANGE: -40°C to +125°C including temp rise.
 Designed to comply with the following requirements as defined by IEC62368-1, EN62368-1, UL62368-1/CSA62368-1 and AS/NZS62368.1:
 - Reinforced insulation for a primary circuit at a working voltage of 265Vrms, 400Vpeak, OVC II, Pollution Degree 2.

Customer to tie terminals 7+8 and 9+10 on PC board.
 Application of the transformer allows for the leadwires between terminals 7&8 and 9&10 to solder bridge.

Wire insulation & RoHS status not affected by wire color. Wire insulation color may vary depending on availability. Marking method, font and color may vary on preproduction samples.

DFM	Packaging Specifications	Tolerances unless otherwise specified:	DRAWING TITLE	PART NO.
DATE	Method: Tray	Angles: $\pm 1^\circ$ Decimals: ± 0.005 [.13]	TRANSFORMER	750841036
ENG	PKG-0967	Fractions: $\pm 1/64$ Footprint: $\pm .001$ [.03]		
REV.	01	This drawing is dual dimensioned. Dimensions in brackets are in millimeters.		SPECIFICATION SHEET 1 OF 1
DATE	2023/8/24	www.we-online.com/midcom		

Figure 5 Transformer structure

Test results

9 Test results

9.1 Efficiency

Table 3 Efficiency

Input (V AC/Hz)	Load percentage (%)	P _{in} (W)	V _o (V DC)	I _o (A)	P _{out} (W)	Efficiency η (%)	Average η (%)
85 V AC/60 Hz	No load	0.024	12.316	0.000			82.90%
	10% load	0.791	12.355	0.050	0.62	78.10%	
	25% load	1.880	12.350	0.125	1.54	82.11%	
	50% load	3.710	12.335	0.250	3.08	83.12%	
	75% load	5.548	12.311	0.375	4.62	83.21%	
	100% load	7.382	12.279	0.500	6.14	83.17%	
115 V AC/60 Hz	No load	0.025	12.314	0.000			83.02%
	10% load	0.800	12.355	0.050	0.62	77.22%	
	25% load	1.887	12.349	0.125	1.54	81.80%	
	50% load	3.710	12.331	0.250	3.08	83.09%	
	75% load	5.519	12.307	0.375	4.62	83.62%	
	100% load	7.349	12.279	0.500	6.14	83.54%	
230 V AC/50 Hz	No load	0.040	12.330	0.000			81.05%
	10% load	0.879	12.374	0.050	0.62	70.39%	
	25% load	1.968	12.361	0.125	1.55	78.51%	
	50% load	3.777	12.347	0.250	3.09	81.72%	
	75% load	5.655	12.325	0.375	4.62	81.73%	
	100% load	7.477	12.294	0.500	6.15	82.21%	
264 V AC/50 Hz	No load	0.047	12.330	0.000			79.70%
	10% load	0.914	12.378	0.050	0.62	67.71%	
	25% load	2.003	12.367	0.125	1.55	77.18%	
	50% load	3.875	12.354	0.250	3.09	79.70%	
	75% load	5.740	12.330	0.375	4.62	80.55%	
	100% load	7.557	12.297	0.500	6.15	81.36%	

Test results

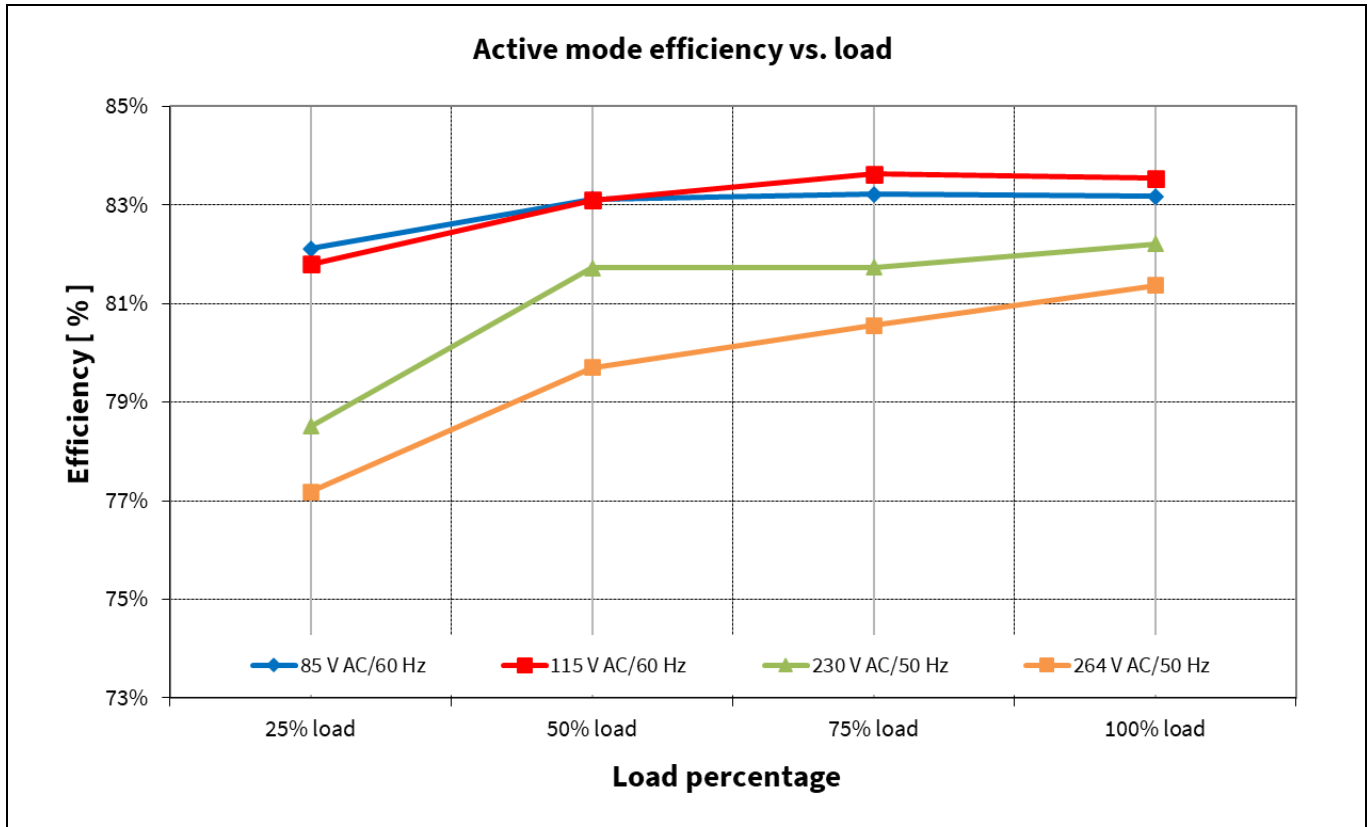


Figure 6 Efficiency vs. AC-line input voltage

9.2 Standby power

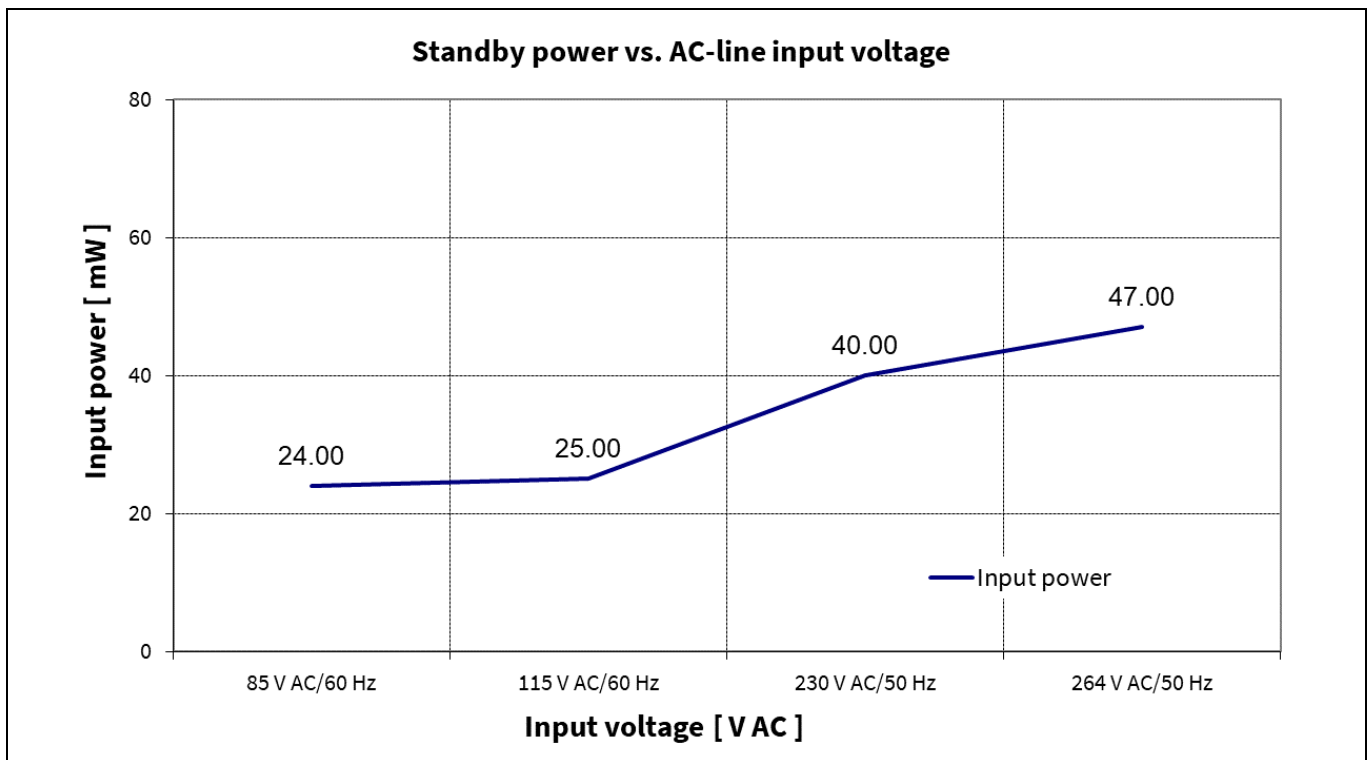


Figure 7 Standby power vs. AC-line input voltage

Test results

9.3 Line and load regulation

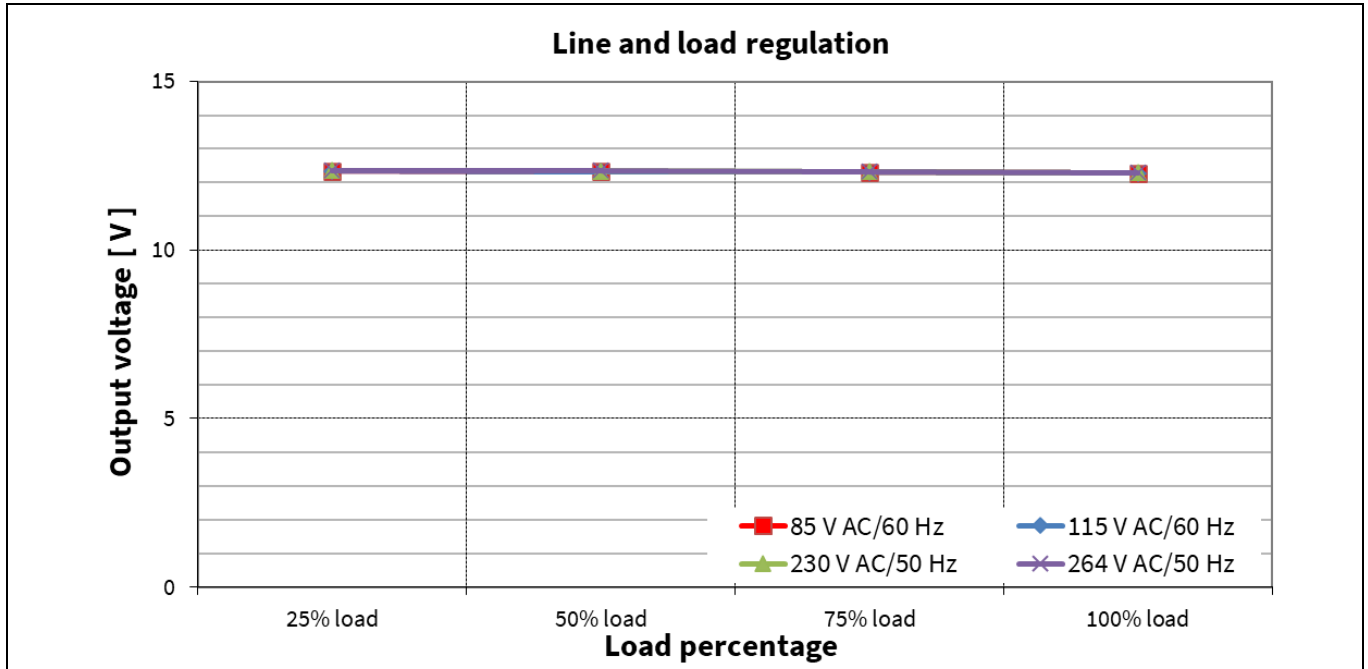


Figure 8 Line and load regulation

9.4 Maximum input power

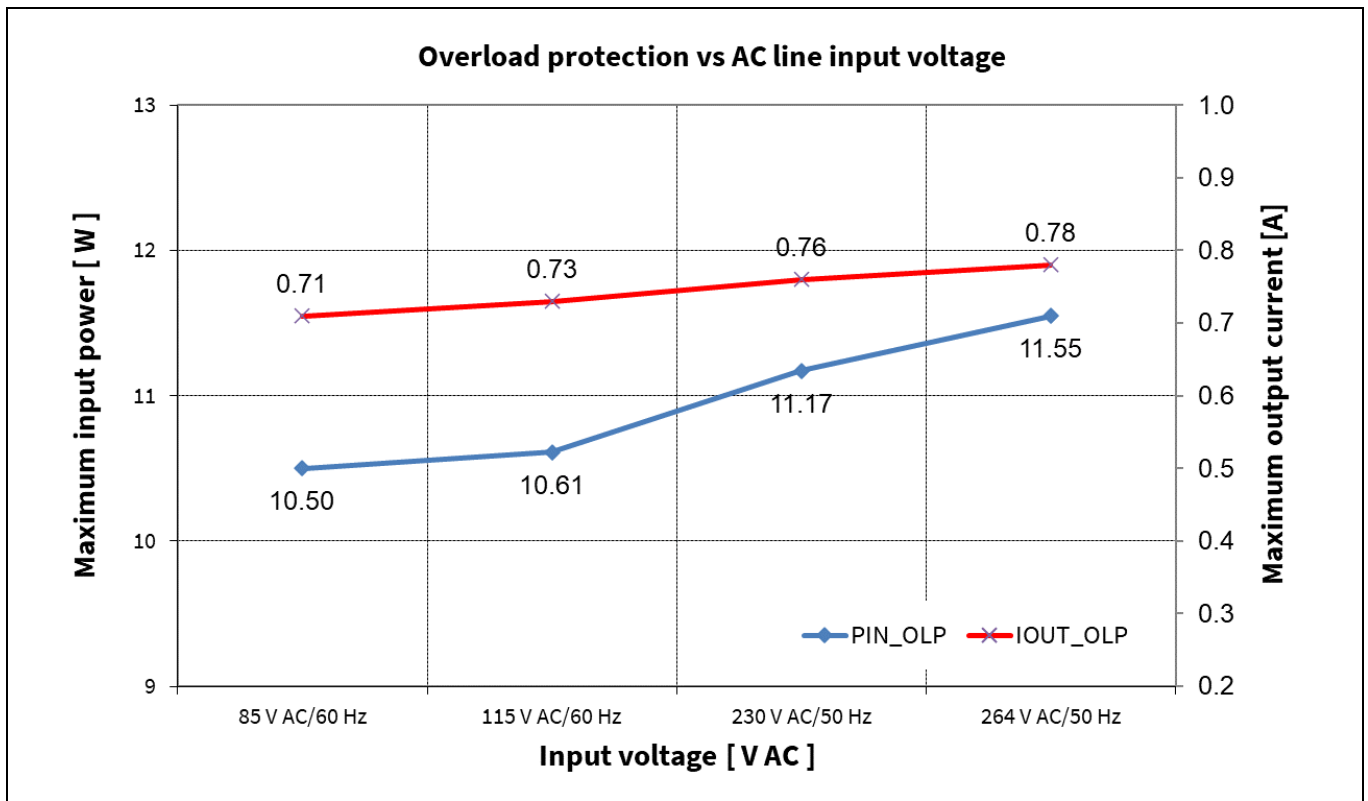


Figure 9 Maximum input power and maximum output current vs. AC line input voltage

Test results

9.5 ESD immunity (EN61000-4-2)

This system was subjected to level 3 ESD test according to EN 61000-4-2 (± 6 kV contact and ± 8 kV air discharge). A test failure was defined as non-recoverable.

- Contact discharge: pass ± 6 kV; air discharge: pass ± 8 kV.

Table 4 System ESD test result

Description	ESD test	Level	Number of strikes		Test result
			+V _{OUT}	-V _{OUT}	
115 V AC, 6 W (12 V/24 Ω)	Contact	+6 kV	10	10	PASS
		-6 kV	10	10	PASS
	Air	+8 kV	10	10	PASS
		-8 kV	10	10	PASS
230 V AC, 6 W (12 V/24 Ω)	Contact	+6 kV	10	10	PASS
		-6 kV	10	10	PASS
	Air	+8 kV	10	10	PASS
		-8 kV	10	10	PASS

9.6 Surge immunity (EN 61000-4-5)

This system was subjected to a surge immunity test (± 1 kV DM and ± 2 kV CM) according to EN 61000-4-5. A test failure was defined as a non-recoverable.

- DM: pass ± 1 kV; CM: pass ± 2 kV

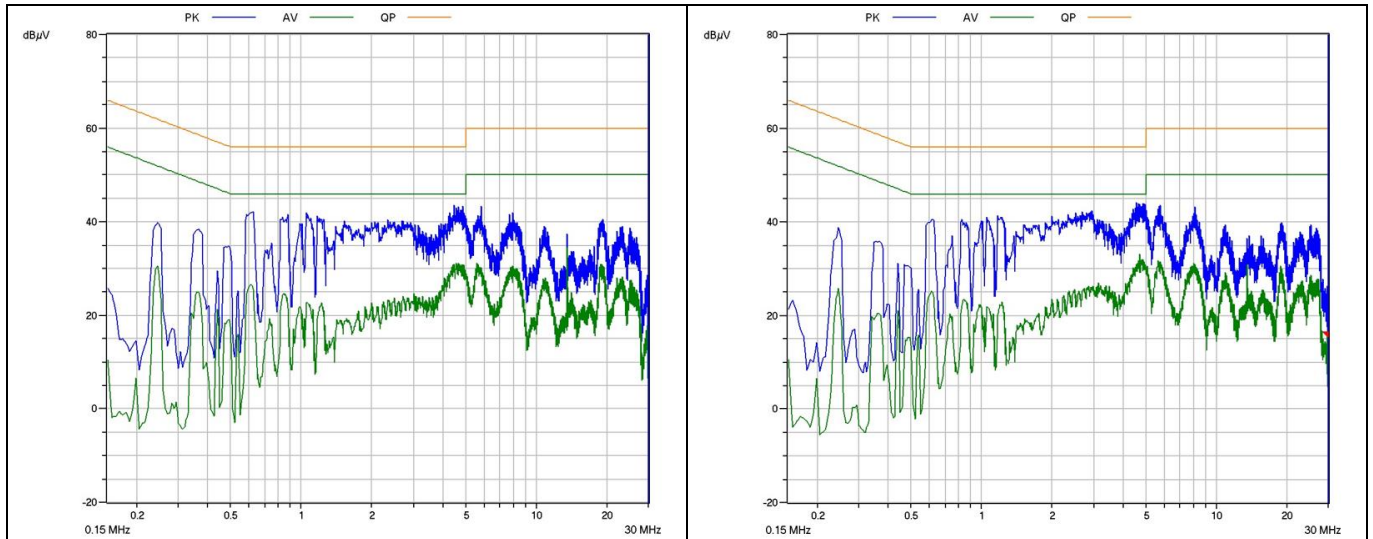
Table 5 System surge immunity test result

Description	Test	Level		Number of strikes				Test result
				0°	90°	180°	270°	
115 V AC, 6 W (12 V/24 Ω)	DM	+1 kV	L \rightarrow N	3	3	3	3	PASS
		-1 kV	L \rightarrow N	3	3	3	3	PASS
	CM	+2 kV	L \rightarrow G	3	3	3	3	PASS
		+2 kV	N \rightarrow G	3	3	3	3	PASS
		-2 kV	L \rightarrow G	3	3	3	3	PASS
		-2 kV	N \rightarrow G	3	3	3	3	PASS
230 V AC, 6 W (12 V/24 Ω)	DM	+1 kV	L \rightarrow N	3	3	3	3	PASS
		-1 kV	L \rightarrow N	3	3	3	3	PASS
	CM	+2 kV	L \rightarrow G	3	3	3	3	PASS
		+2 kV	N \rightarrow G	3	3	3	3	PASS
		-2 kV	L \rightarrow G	3	3	3	3	PASS
		-2 kV	N \rightarrow G	3	3	3	3	PASS

Test results

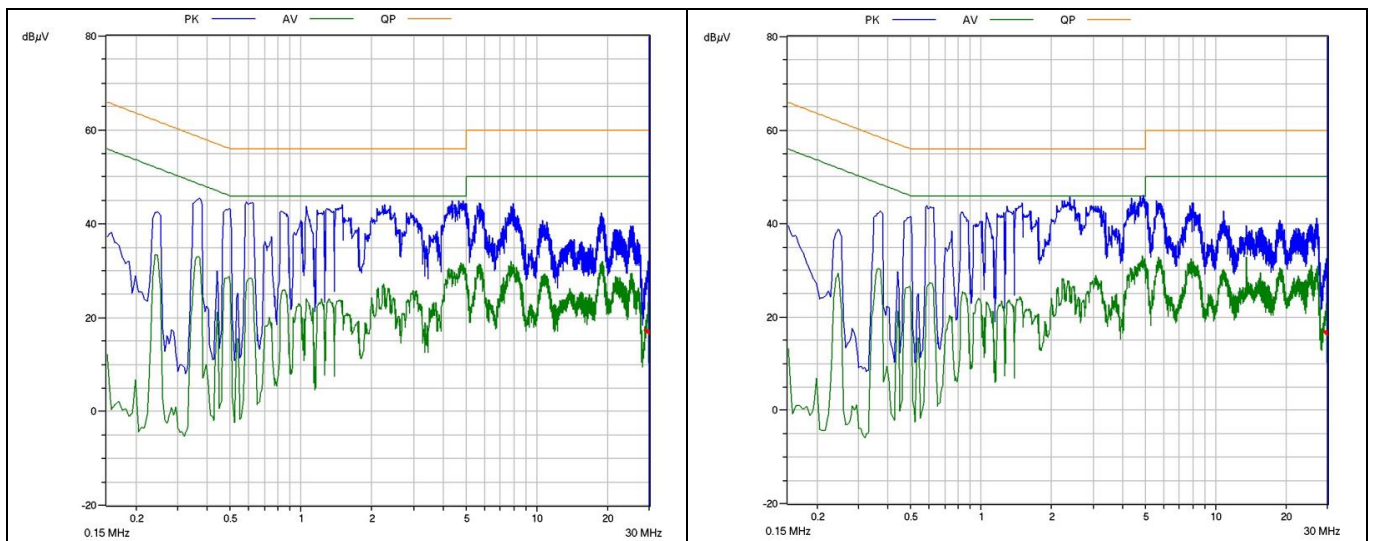
9.7 Conducted emissions (EN 55022 class B)

Conducted EMI was measured by Schaffner (SMR4503) and followed the test standard of EN 55022 (CISPR 22) class B. Reference board was connected to a resistive load (24 Ω) with input voltage of 115 V AC and 230 V AC.



Passed with more than 6 dB margin for quasi-peak measurement at lowline (115 V AC).

Figure 10 Conducted emissions at 115 V AC with full load



Passed with more than 6 dB margin for quasi-peak measurement at highline (230 V AC).

Figure 11 Conducted emissions at 230 V AC with full load

6 W auxiliary power supply using ICE5GR4780AG

REF_5GR4780AG_6W1

Test results

9.8 Thermal measurement

The thermal test of the open-frame reference board was done using an infrared thermography camera (FLIR-T62101) at an ambient temperature of 25°C. The measurements were taken after one hour running at full-load.

Table 6 Hottest temperature of reference board

No.	Major component	85 V AC (°C)	264 V AC (°C)
1	T1 (Transformer)	50.6	56.0
2	L1 (Input filter inductor)	34.0	32.5
3	D4 (Output rectifier diode)	55.1	55.9
4	U1 (ICE5GR4780AG)	49.4	61.4
5	D1 (Input rectifier diode)	36.1	31.3

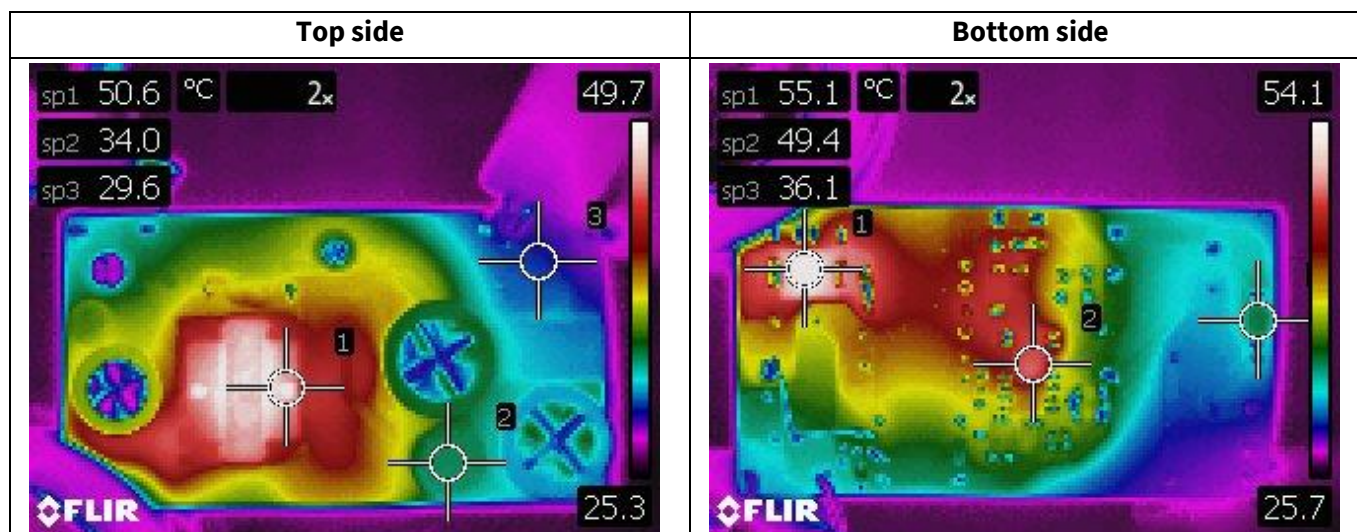


Figure 12 Infrared thermal image of REF_5GR4780AG_6W1 at 85 V AC

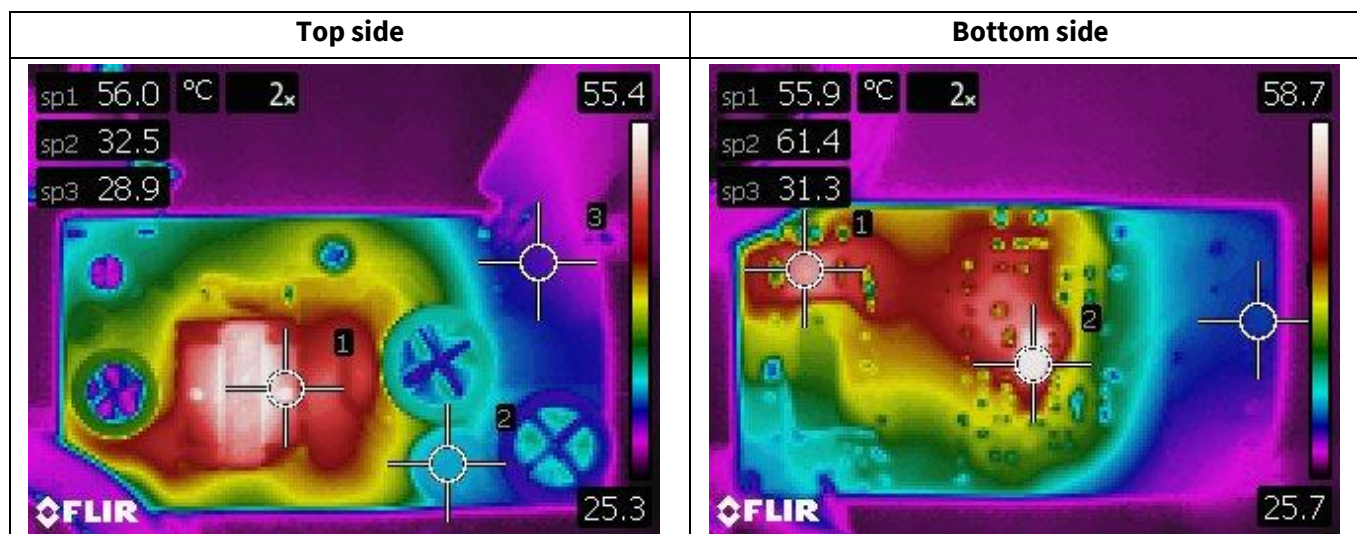


Figure 13 Infrared thermal image of REF_5GR4780AG_6W1 at 264 V AC

6 W auxiliary power supply using ICE5GR4780AG

REF_5GR4780AG_6W1

Waveforms and scope plots

10 Waveforms and scope plots

All waveforms and scope plots were recorded with a Teledyne LeCroy 8054 oscilloscope.

10.1 Start-up with maximum load

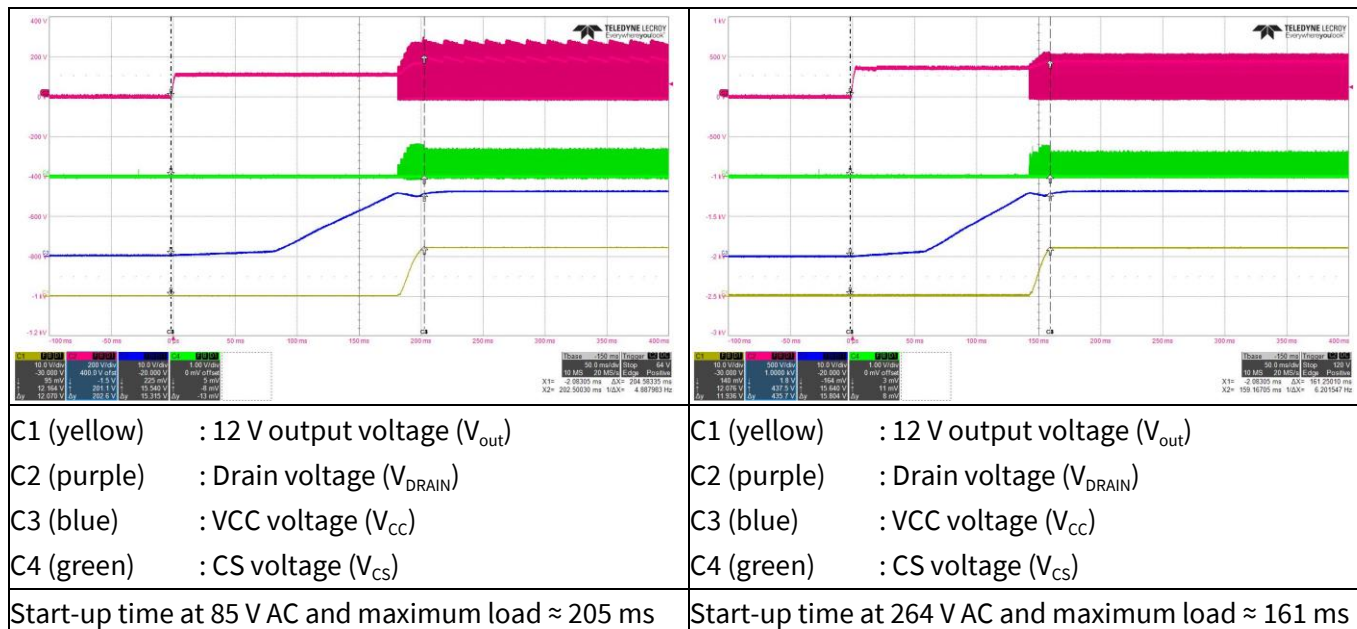


Figure 14 Start-up

10.2 Soft-start

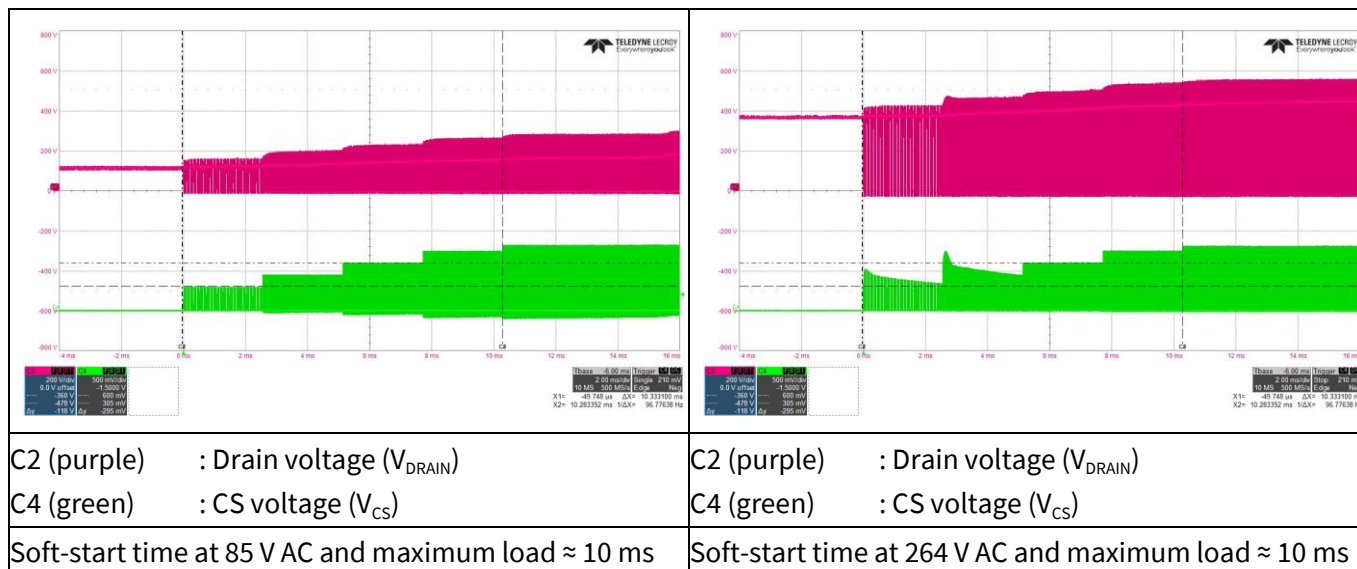


Figure 15 Soft-start

6 W auxiliary power supply using ICE5GR4780AG

REF_5GR4780AG_6W1

Waveforms and scope plots

10.3 Drain and CS voltage at maximum load

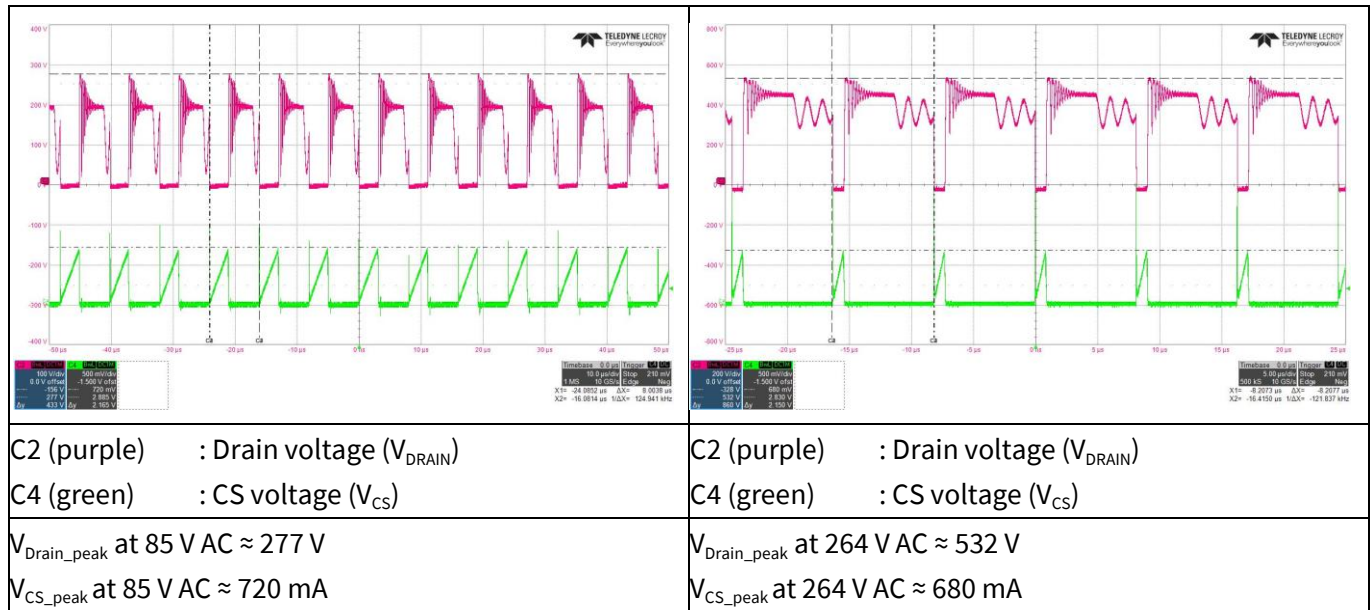


Figure 16 Drain and CS voltage at maximum load

10.4 Output ripple voltage at maximum load

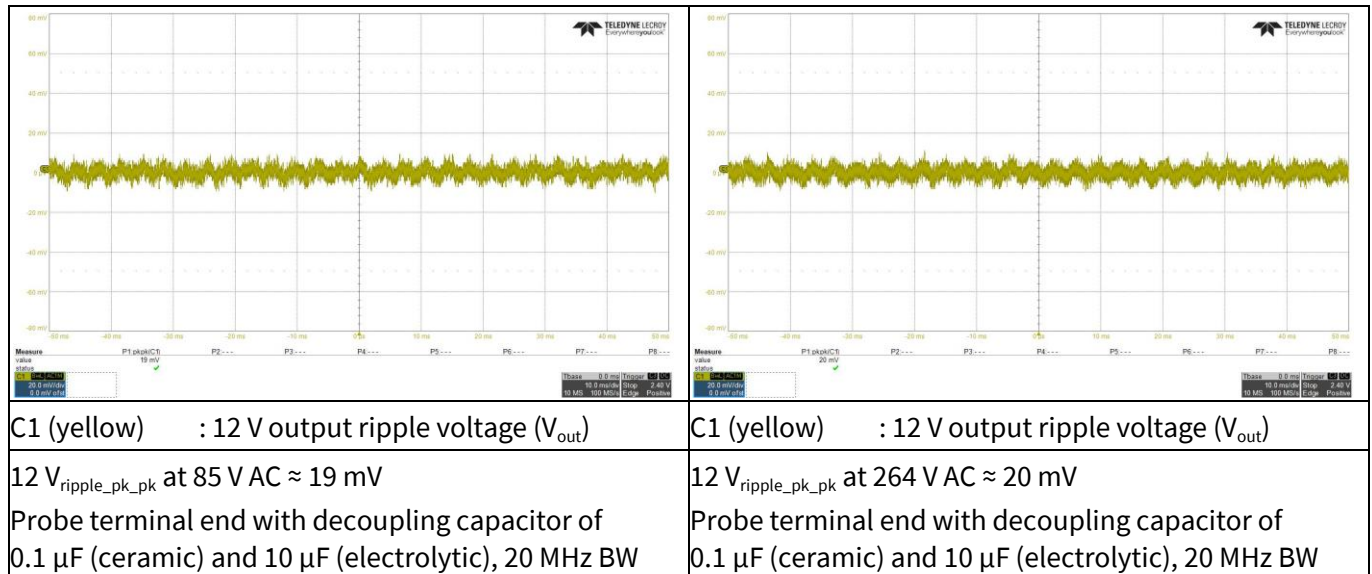


Figure 17 Output ripple voltage at maximum load

6 W auxiliary power supply using ICE5GR4780AG

REF_5GR4780AG_6W1

Waveforms and scope plots

10.5 Output ripple voltage at ABM

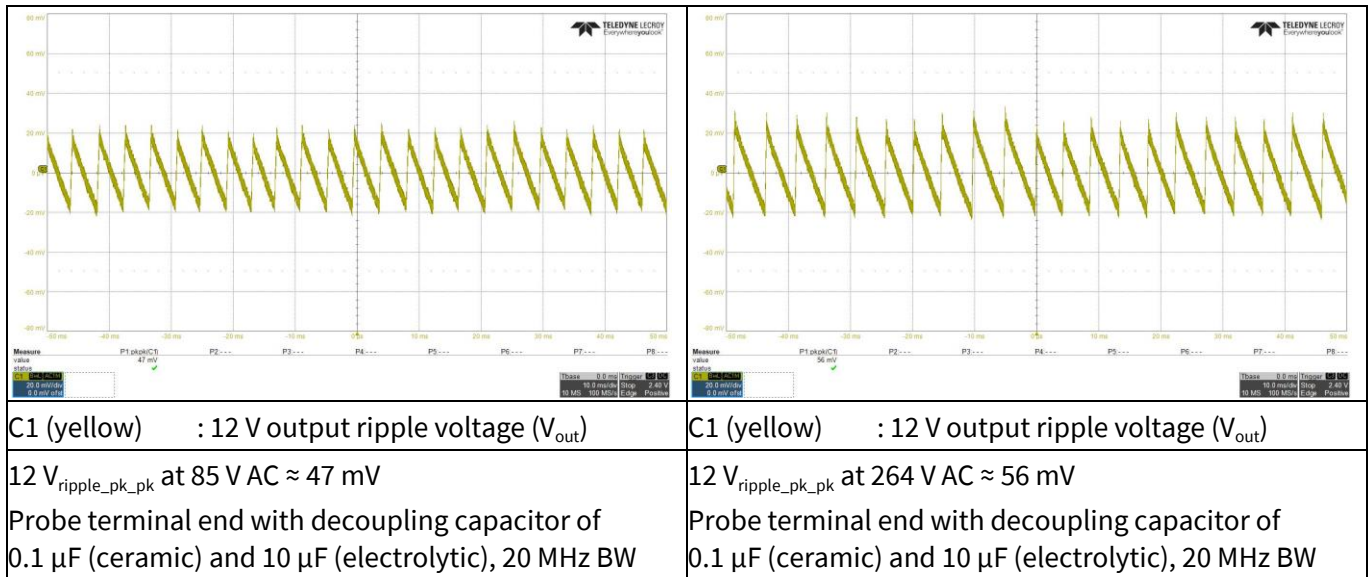


Figure 18 Output ripple voltage at ABM (5 mA load)

10.6 Load transient response (Dynamic load from 10% to 100%)

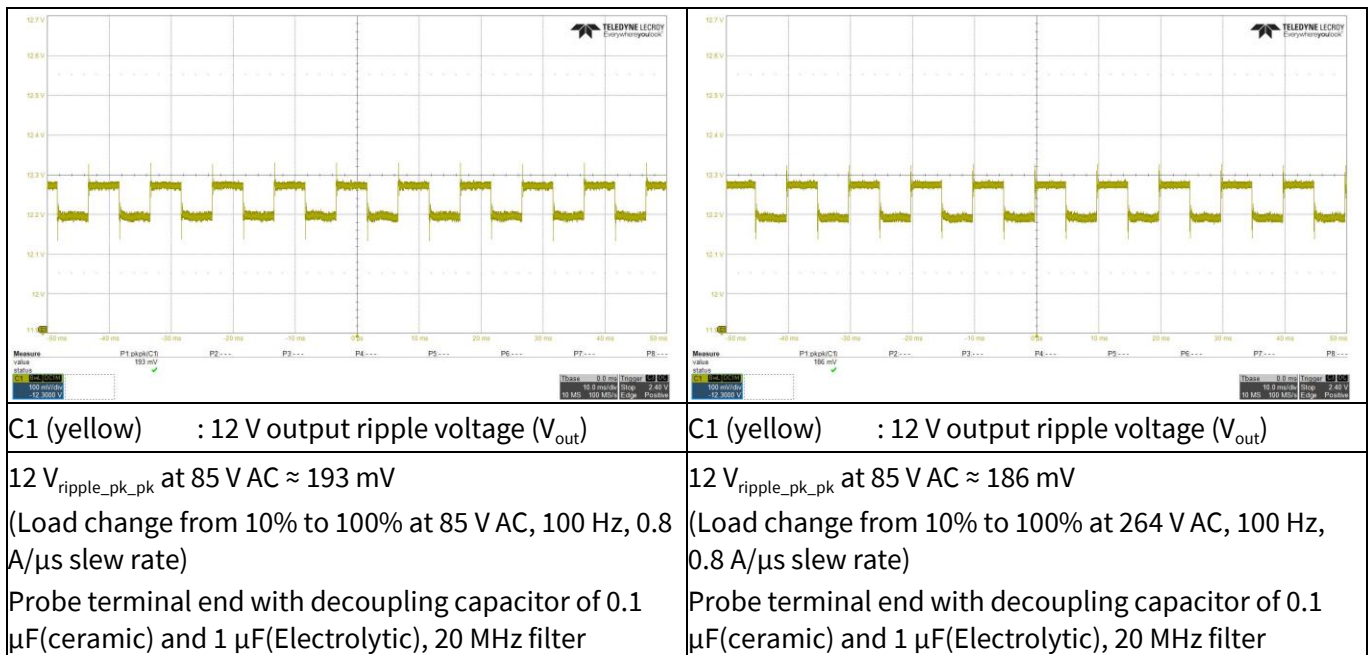


Figure 19 Load transient response

6 W auxiliary power supply using ICE5GR4780AG

REF_5GR4780AG_6W1

Waveforms and scope plots

10.7 ABM operation

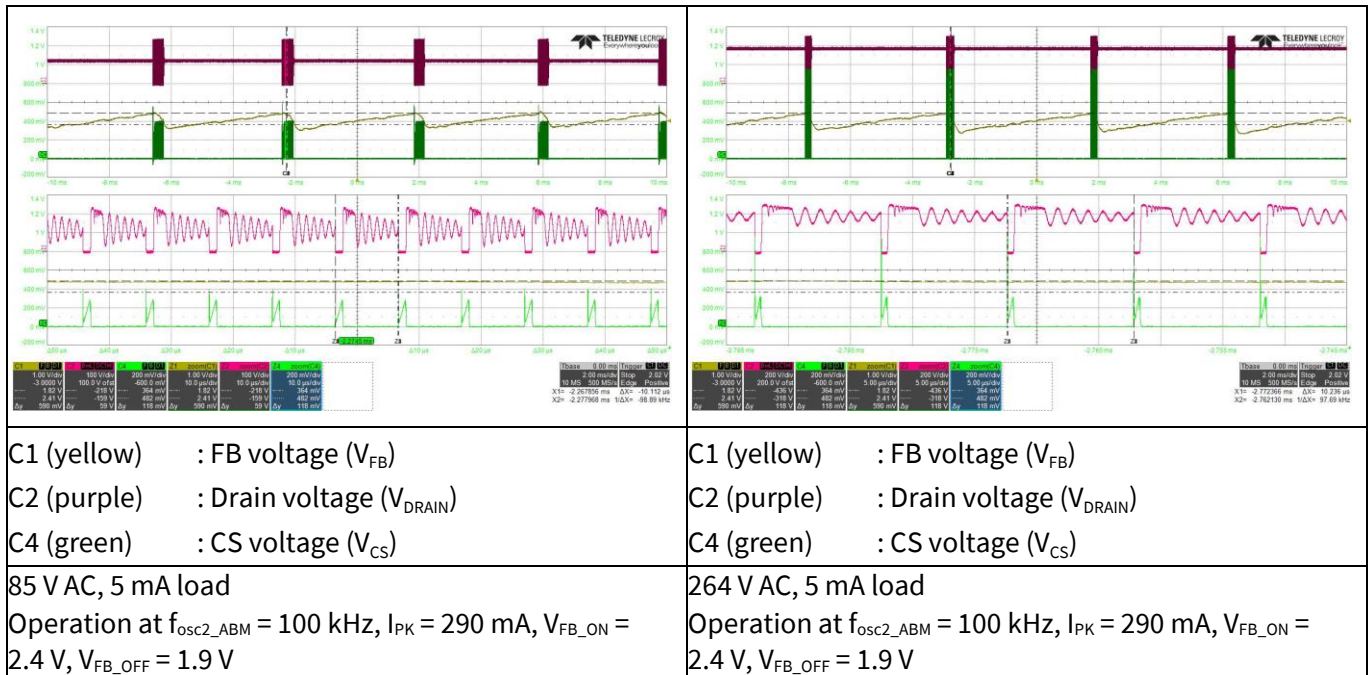


Figure 20 ABM operation

10.8 Overload protection (odd-skip auto-restart)

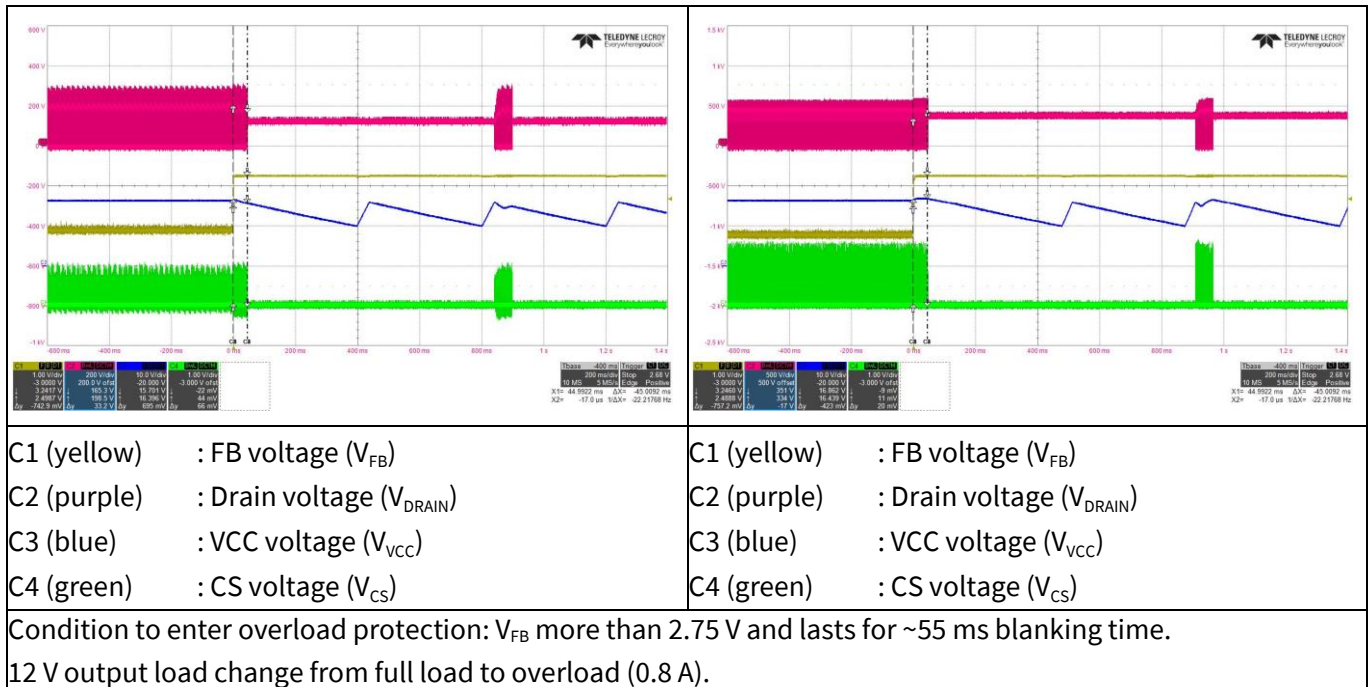


Figure 21 Overload protection

References

References

- [1] Infineon Technologies AG: *ICE5xRxxxxAG datasheet*; [Available online](#)
- [2] Infineon Technologies AG: *Design guide 5th generation fixed-frequency ICE5xSAG and ICE5xRxxxxAG*; [Available online](#)
- [3] Infineon Technologies AG: *Calculation tool - ICE5xSAG and ICE5xRxxxxAG*; [Available online](#)

Revision history

Revision history

Document revision	Date	Description of changes
V 1.0	2023-12-13	Initial release

Trademarks

All referenced product or service names and trademarks are the property of their respective owners.

Edition 2023-12-13

Published by

Infineon Technologies AG

81726 Munich, Germany

**© 2023 Infineon Technologies AG.
All Rights Reserved.**

Do you have a question about this document?

Email: erratum@infineon.com

Document reference

ER_2310_PL21_2311_110619_

Important notice

The information contained in this application note is given as a hint for the implementation of the product only and shall in no event be regarded as a description or warranty of a certain functionality, condition or quality of the product. Before implementation of the product, the recipient of this application note must verify any function and other technical information given herein in the real application. Infineon Technologies hereby disclaims any and all warranties and liabilities of any kind (including without limitation warranties of non-infringement of intellectual property rights of any third party) with respect to any and all information given in this application note.

The data contained in this document is exclusively intended for technically trained staff. It is the responsibility of customer's technical departments to evaluate the suitability of the product for the intended application and the completeness of the product information given in this document with respect to such application.

Warnings

Due to technical requirements products may contain dangerous substances. For information on the types in question please contact your nearest Infineon Technologies office.

Except as otherwise explicitly approved by Infineon Technologies in a written document signed by authorized representatives of Infineon Technologies, Infineon Technologies' products may not be used in any applications where a failure of the product or any consequences of the use thereof can reasonably be expected to result in personal injury.

X-ON Electronics

Largest Supplier of Electrical and Electronic Components

Click to view similar products for [Power Management IC Development Tools](#) category:

Click to view products by [Infineon](#) manufacturer:

Other Similar products are found below :

[EVB-EP5348UI](#) [BQ25010EVM](#) [ISL80019AEVAL1Z](#) [ISLUSBI2CKIT1Z](#) [ISL8002AEVAL1Z](#) [ISL91108IIA-EVZ](#) [MAX8556EVKIT](#)
[MAX15005AEVKIT+](#) [ISL28022EVKIT1Z](#) [STEVAL-ISA008V1](#) [DRI0043](#) [KITPF8100FRDMEVM](#) [EVB-EN6337QA](#)
[SAMPLEBOXILD8150TOBO1](#) [MAX18066EVKIT#](#) [AP62300WU-EVM](#) [KITA2GTC387MOTORCTRTOBO1](#) [AEK-MOT-TK200G1](#)
[EVLONE65W](#) [STEVAL-ILH006V1](#) [STEVAL-IPE008V2](#) [STEVAL-IPP001V2](#) [STEVAL-ISA013V1](#) [STEVAL-ISA067V1](#) [STEVAL-](#)
[ISQ002V1](#) [TPS2306EVM-001](#) [TPS2330EVM-185](#) [TPS40001EVM-001](#) [SECO-HVDCDC1362-15W-GEVB](#) [BTS7030-2EPA](#)
[LT8638SJV#WPBF](#) [LTC3308AIV#WTRPBF](#) [TLT807B0EPV](#) [BTS71033-6ESA](#) [EV13N91A](#) [EASYPIC V8 OVER USB-C](#) [EV55W64A](#)
[CLICKER 4 FOR STM32F4](#) [EASYMX PRO V7A FOR STM32](#) [CLICKER 4 FOR PIC18F](#) [Si8285_86v2-KIT](#) [PAC52700EVK1](#) [NCP-](#)
[NCV51752D2PAK3LGEVB](#) [ISL81807EVAL1Z](#) [AP33772S-EVB](#) [EVALM7HVIGBTFCINV4TOBO1](#) [903-0300-000](#) [902-0173-000](#) [903-](#)
[0301-000](#) [ROA1286023/1](#)