

Product brief

XDP™ digital power XDPS21071

Multi-mode, digital and configurable flyback controller

The XDP™ digital power XDPS21071 is the first flyback controller in the industry with zero voltage switching (ZVS) on the primary side to achieve high efficiency with simplified circuitry and economical switches resulting in lower BOM cost.

High system efficiency with patented forced-frequency-resonant switching operation

By negative magnetization, the patented forced-frequency-resonant (FFR) switching scheme reduces the losses associated with today's valley-switching type of controllers without sacrificing the design simplicity of fixed-frequency switching schemes.

Ease of design and system optimization with intelligent, self-adaptive multi-mode operation

To further optimize SMPS under varying load and line input conditions, the XDPS21071 comes with an intelligent, self-adaptive digital algorithm. This results in matching each line/load condition with the best-fit operational mode (e.g., burst mode, CrCM, FFR) to yield an unparalleled performance in its class. With its configurable parameters, the XDPS21071 serves as a scalable platform over a range of power classes - swiftly, simply and precisely.

Increase system robustness with an adaptive overcurrent protection (OCP) profile

In applications where the output voltage changes according to requirements (e.g., fast charging and USB power delivery), the maximum allowable output current will be adjusted using a configurable threshold according to different output voltage settings to meet the limited power supply (LPS) requirement.

Key features

- > Forced-frequency-resonant mode
- > Self-adaptive, multi-mode operation
- > Supporting fast-charging applications with variable output voltage
- > Fixed-frequency switching up to 140 kHz
- > Adaptive overcurrent protection for limited power supply
- > Frequency clamp at high-line input with low-output voltage
- > UART port for configuring digital parameters
- > DSO-12 SMD package

Key benefits

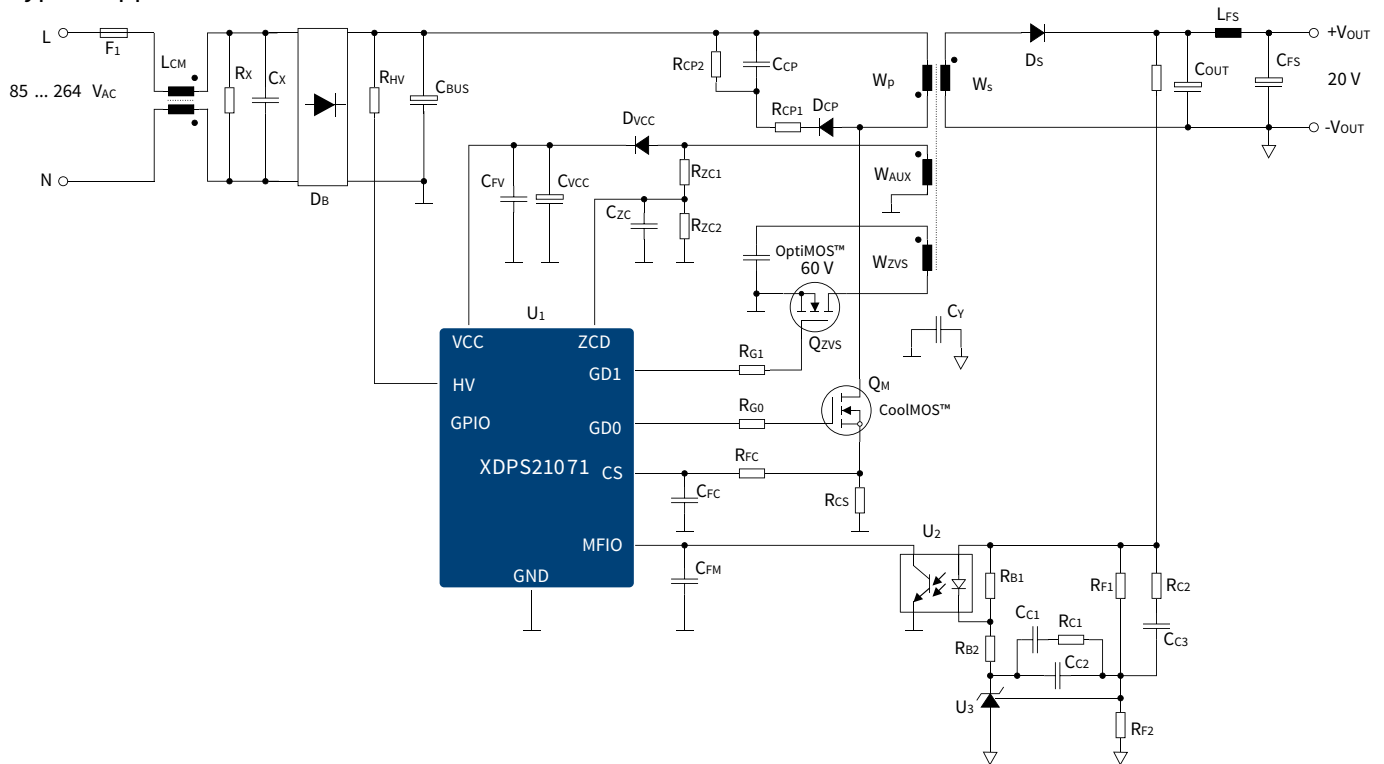
- > High power density design with FFR and 140 kHz switching frequency
- > Support LPS protection to meet safety regulatory requirements
- > Light-load efficiency optimized for variable output application
- > Fast and precise system tuning with configurable digital parameters
- > Lead-free, RoHS compliant



XDP™ digital power XDPS21071

Multi-mode, digital and configurable flyback controller

Typical application schematic



Product information

Product	Description	Orderable part number (OPN)	Package
XDPS21071	FFR flyback PWM controller	XDPS21071XUMA1	DSO-12

Design and support tools

Type	Description	Ordering code	Additional information
REF_XDPS21071_45W1	45 W USB-PD 3.0 type C charger	REFXDPS2107145W1TOB01	www.infineon.com/dpVision
IF-BOARD.DP-GEN2	Gen2 .dp interface board	IFBOARDDPGEN2TOB01	
GUI .dp Vision	Graphical user interface software to configure parameters via a PC	Free download	

Published by
Infineon Technologies Austria AG
9500 Villach, Austria

© 2020 Infineon Technologies AG.
All Rights Reserved.

Please note!

THIS DOCUMENT IS FOR INFORMATION PURPOSES ONLY AND ANY INFORMATION GIVEN HEREIN SHALL IN NO EVENT BE REGARDED AS A WARRANTY, GUARANTEE OR DESCRIPTION OF ANY FUNCTIONALITY, CONDITIONS AND/OR QUALITY OF OUR PRODUCTS OR ANY SUITABILITY FOR A PARTICULAR PURPOSE. WITH REGARD TO THE TECHNICAL SPECIFICATIONS OF OUR PRODUCTS, WE KINDLY ASK YOU TO REFER TO THE RELEVANT PRODUCT DATA SHEETS PROVIDED BY US. OUR CUSTOMERS AND THEIR TECHNICAL DEPARTMENTS ARE REQUIRED TO EVALUATE THE SUITABILITY OF OUR PRODUCTS FOR THE INTENDED APPLICATION.

WE RESERVE THE RIGHT TO CHANGE THIS DOCUMENT AND/OR THE INFORMATION GIVEN HEREIN AT ANY TIME.

Additional information

For further information on technologies, our products, the application of our products, delivery terms and conditions and/or prices, please contact your nearest Infineon Technologies office (www.infineon.com).

Warnings

Due to technical requirements, our products may contain dangerous substances. For information on the types in question, please contact your nearest Infineon Technologies office.

Except as otherwise explicitly approved by us in a written document signed by authorized representatives of Infineon Technologies, our products may not be used in any life-endangering applications, including but not limited to medical, nuclear, military, life-critical or any other applications where a failure of the product or any consequences of the use thereof can result in personal injury.

X-ON Electronics

Largest Supplier of Electrical and Electronic Components

Click to view similar products for [Power Management IC Development Tools](#) category:

Click to view products by [Infineon](#) manufacturer:

Other Similar products are found below :

[EVB-EP5348UI](#) [MIC23451-AAAYFL EV](#) [MIC5281YMME EV](#) [124352-HMC860LP3E](#) [DA9063-EVAL](#) [ADP122-3.3-EVALZ](#) [ADP130-0.8-EVALZ](#) [ADP130-1.8-EVALZ](#) [ADP1740-1.5-EVALZ](#) [ADP1870-0.3-EVALZ](#) [ADP1874-0.3-EVALZ](#) [ADP199CB-EVALZ](#) [ADP2102-1.25-EVALZ](#) [ADP2102-1.875EVALZ](#) [ADP2102-1.8-EVALZ](#) [ADP2102-2-EVALZ](#) [ADP2102-3-EVALZ](#) [ADP2102-4-EVALZ](#) [AS3606-DB](#) [BQ25010EVM](#) [BQ3055EVM](#) [ISLUSBI2CKIT1Z](#) [LM2734YEVAL](#) [LP38512TS-1.8EV](#) [EVAL-ADM1186-1MBZ](#) [EVAL-ADM1186-2MBZ](#) [ADP122UJZ-REDYKIT](#) [ADP166Z-REDYKIT](#) [ADP170-1.8-EVALZ](#) [ADP171-EVALZ](#) [ADP1853-EVALZ](#) [ADP1873-0.3-EVALZ](#) [ADP198CP-EVALZ](#) [ADP2102-1.0-EVALZ](#) [ADP2102-1-EVALZ](#) [ADP2107-1.8-EVALZ](#) [ADP5020CP-EVALZ](#) [CC-ACC-DBMX-51](#) [ATPL230A-EK](#) [MIC23250-S4YMT EV](#) [MIC26603YJL EV](#) [MIC33050-SYHL EV](#) [TPS60100EVM-131](#) [TPS65010EVM-230](#) [TPS71933-28EVM-213](#) [TPS72728YFFEVM-407](#) [TPS79318YEQEV](#) [UCC28810EVM-002](#) [XILINXPWR-083](#) [LMR22007YMINI-EVM](#)